



US0D1054063S

(12) **United States Design Patent** (10) **Patent No.:** **US D1,054,063 S**
Van Doozer et al. (45) **Date of Patent:** **** Dec. 10, 2024**

(54) **WEATHER SEAL**
(71) Applicants: **David Van Doozer**, Joseph, OR (US);
Jess Van Doozer, Joseph, OR (US)
(72) Inventors: **David Van Doozer**, Joseph, OR (US);
Jess Van Doozer, Joseph, OR (US)
(**) Term: **15 Years**
(21) Appl. No.: **29/946,157**
(22) Filed: **Jun. 6, 2024**
(51) **LOC (14) Cl.** **25-01**
(52) **U.S. Cl.**
USPC **D25/48.2**
(58) **Field of Classification Search**
USPC D25/48.1, 48.2, 60, 119–125, 136, 164,
D25/199
CPC E06B 7/00; E06B 7/14; E06B 7/16; E06B
7/18; E06B 7/205; E06B 7/21; E06B
7/22; E06B 7/23; E06B 7/2301; E06B
7/2305; E06B 7/2314; E06B 7/2316;
E06B 7/232; E06B 1/70; E06B 2001/707;
E06B 3/9632
See application file for complete search history.

(56) **References Cited**
U.S. PATENT DOCUMENTS
92,367 A * 7/1869 Robinson E06B 7/22
49/493.1
211,315 A * 1/1879 Baldwin E06B 7/205
49/305
717,399 A * 12/1902 Hills E06B 7/205
49/305
4,538,380 A 9/1985 Colliander
D315,542 S * 3/1991 Dalton D12/217
5,007,203 A 4/1991 Katrynuik
5,010,691 A 4/1991 Takahashi
D340,534 S * 10/1993 McConnell D25/119
D549,850 S * 8/2007 Perlman D25/119
D665,513 S * 8/2012 Engel D25/113
9,062,490 B2 6/2015 Kadavy et al.

D814,659 S * 4/2018 Suematsu D25/48.2
D844,842 S * 4/2019 Wright D25/48.2
D874,688 S * 2/2020 Analetto D25/164
D977,677 S * 2/2023 Hodges D25/48.2
D977,678 S * 2/2023 Hodges D25/48.2
D1,000,642 S * 10/2023 Thomson D25/119
(Continued)

FOREIGN PATENT DOCUMENTS

GB 9001433569-0001 * 3/2015

OTHER PUBLICATIONS

Trademark Soundproofing chrome-extension://efaidnbnmnn-
nibpcajpcglcfindmkaj/https://www.tmsoundproofing.com/products/
gasket/188/TM2188_Specs.pdf Feb. 20, 2020 (Year: 2020).*
(Continued)

Primary Examiner — Leanne Was-Englehart

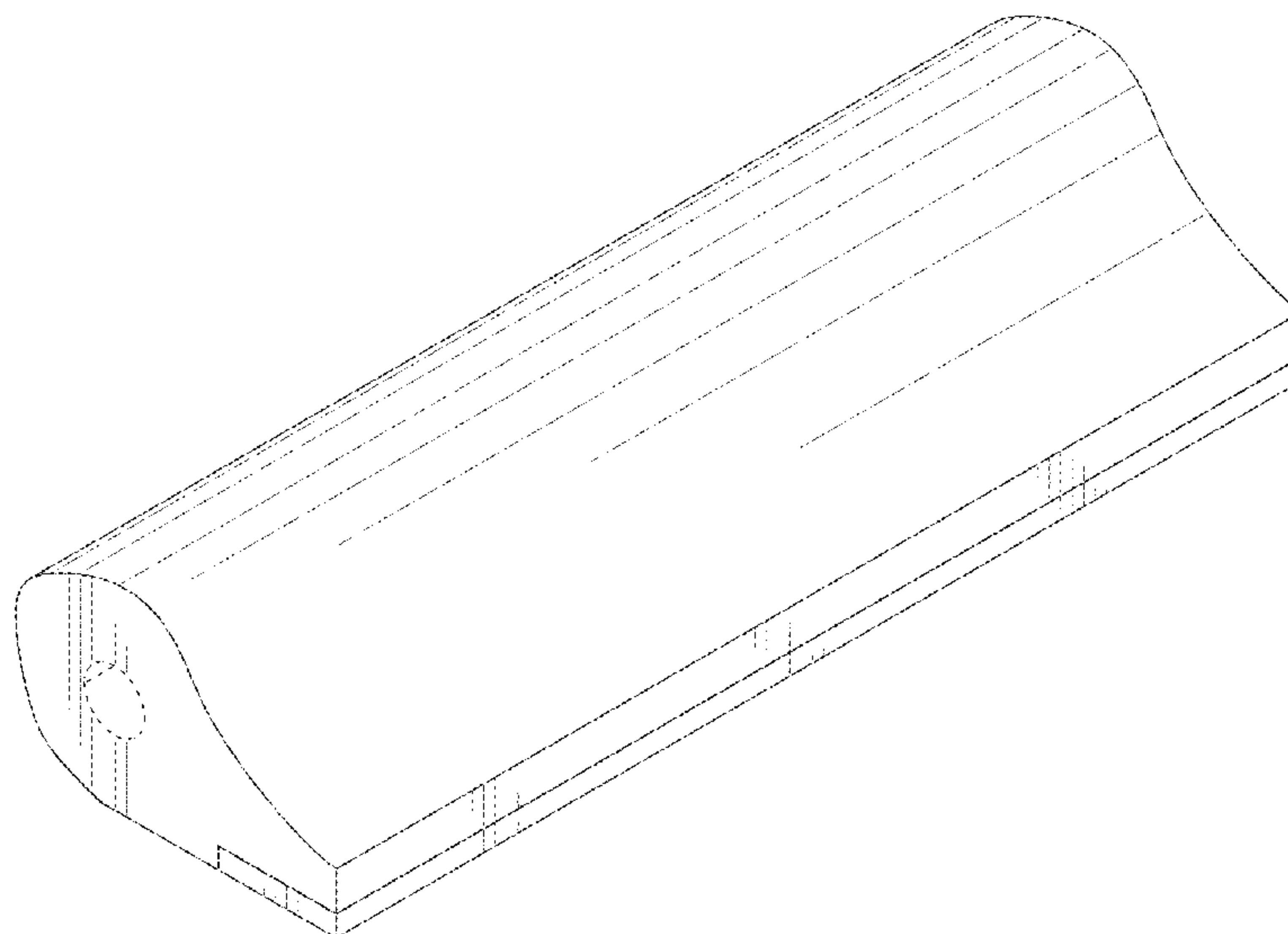
(57) **CLAIM**

The ornamental design for a weather seal, as shown and described.

DESCRIPTION

FIG. 1 is a front top right perspective view of a weather seal showing our new design;
FIG. 2 is a front bottom right perspective view thereof;
FIG. 3 is a rear top left perspective view thereof;
FIG. 4 is a rear bottom left perspective view thereof;
FIG. 5 is a front elevational view thereof;
FIG. 6 is a rear elevational view thereof;
FIG. 7 is a right elevational view thereof;
FIG. 8 is a left elevational view thereof;
FIG. 9 is a top plan view thereof; and,
FIG. 10 is a bottom plan view thereof.
The broken line showing a hole in FIG. 1-6 is included for the purpose of illustrating environmental structure and forms no part of the claimed design.

1 Claim, 10 Drawing Sheets



(56)

References Cited

U.S. PATENT DOCUMENTS

2006/0059820 A1 3/2006 Peterson et al.

OTHER PUBLICATIONS

Pemko PK55 Door Seal <https://web.archive.org/web/20210302233222/https://store.bestdoorhardware.com/pemko-weather-seal-gasket/> Available Mar. 2, 2021 (Year: 2021).*

* cited by examiner

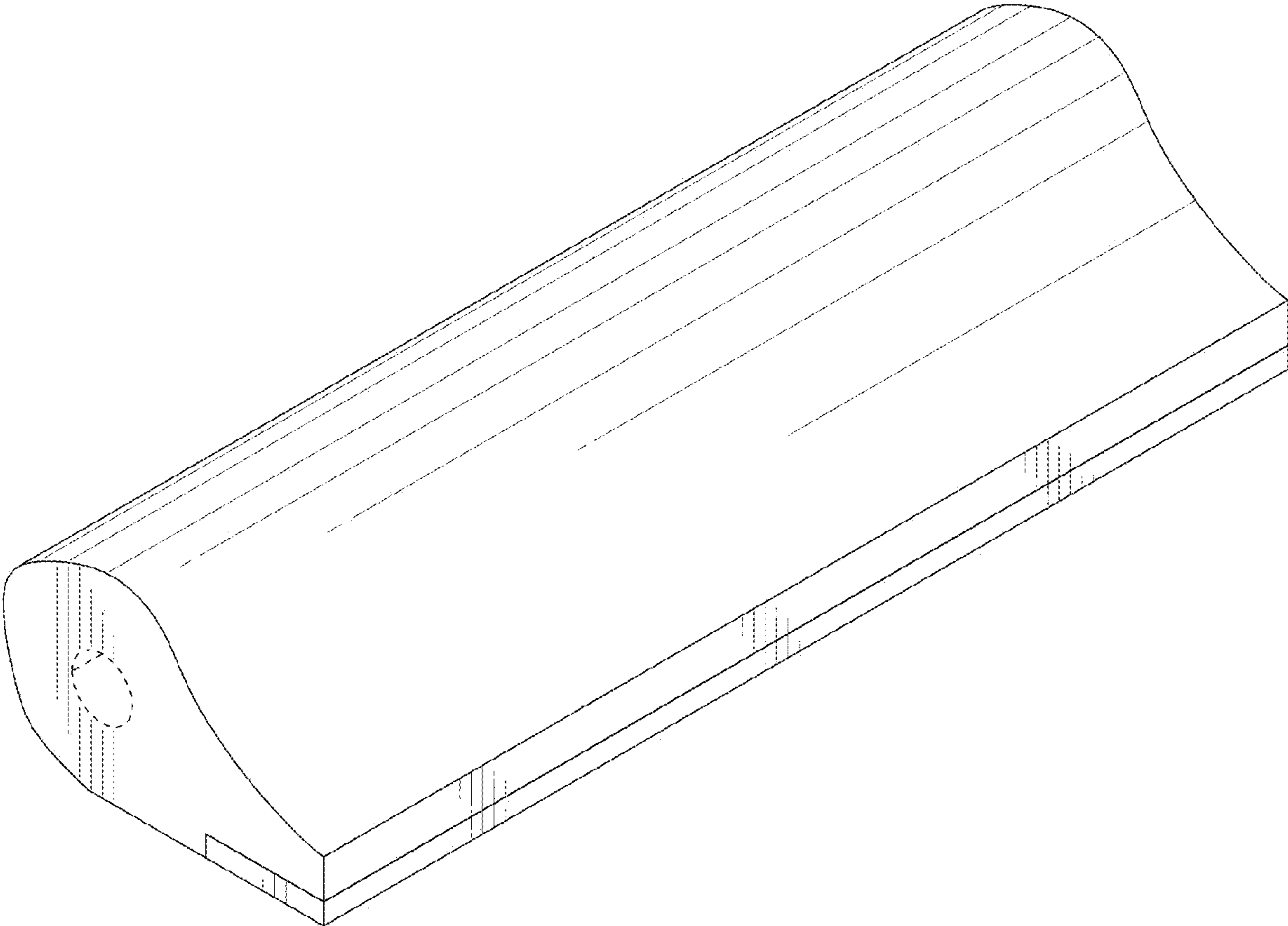


FIG. 1

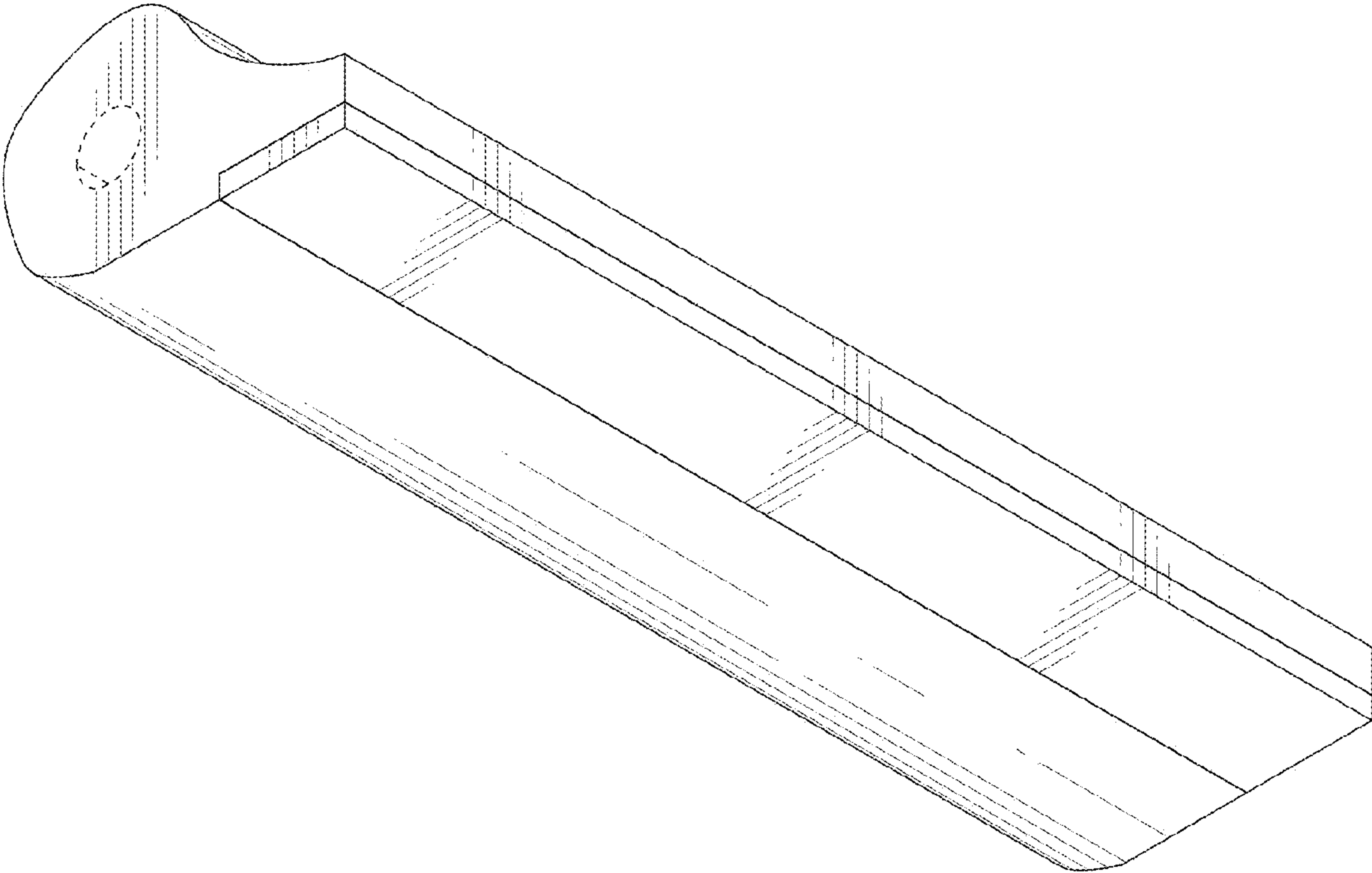


FIG. 2

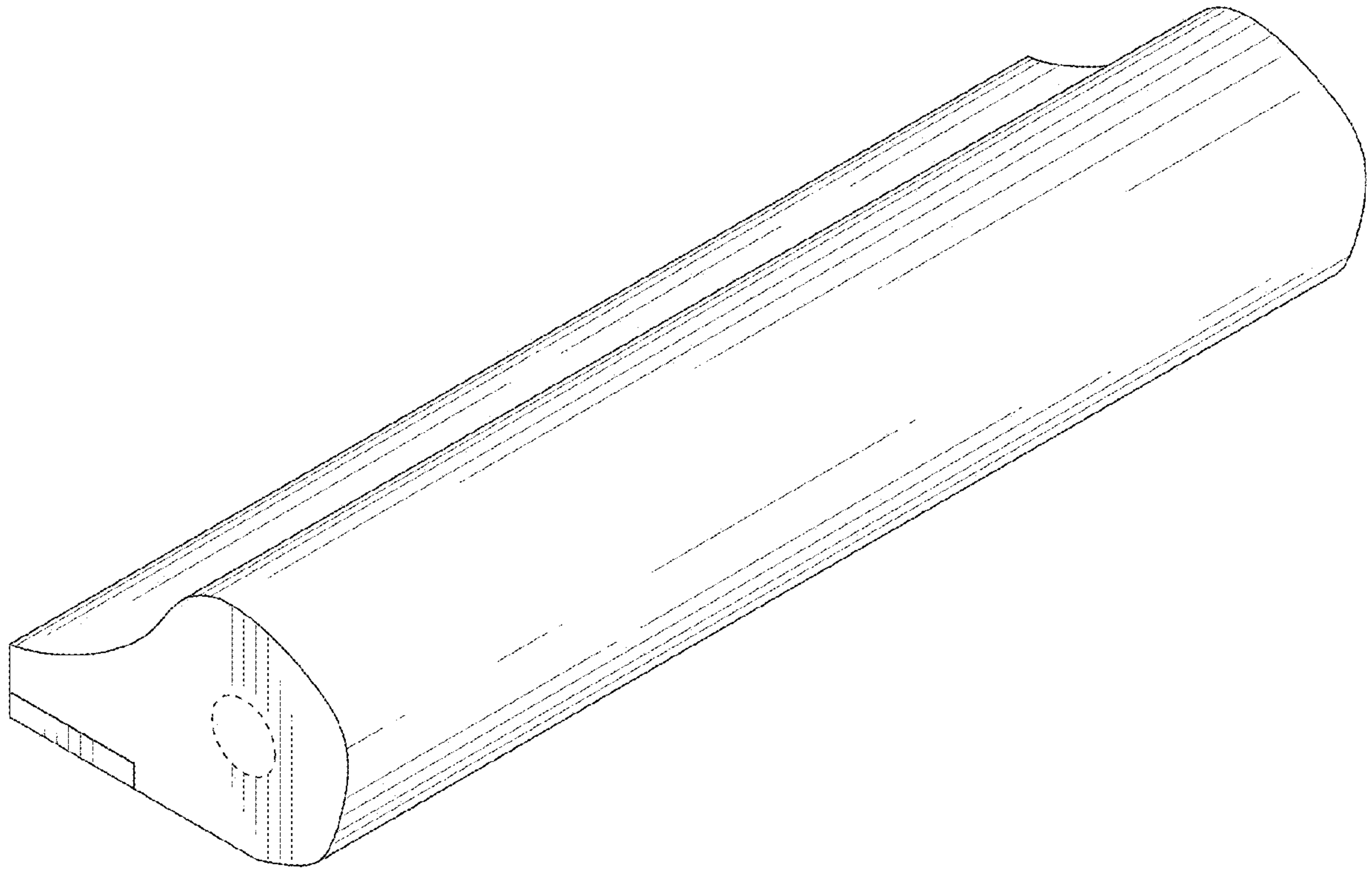


FIG. 3

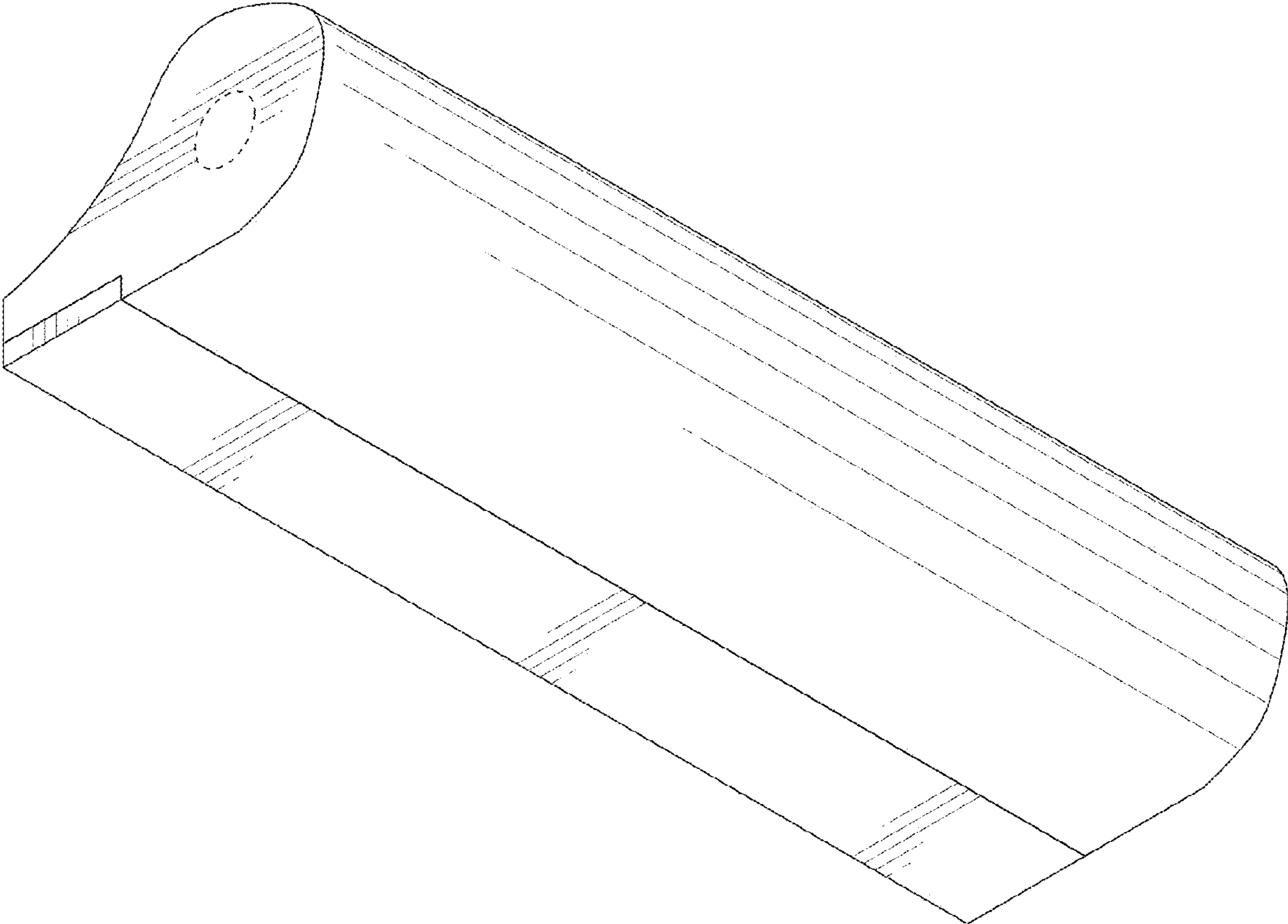


FIG. 4

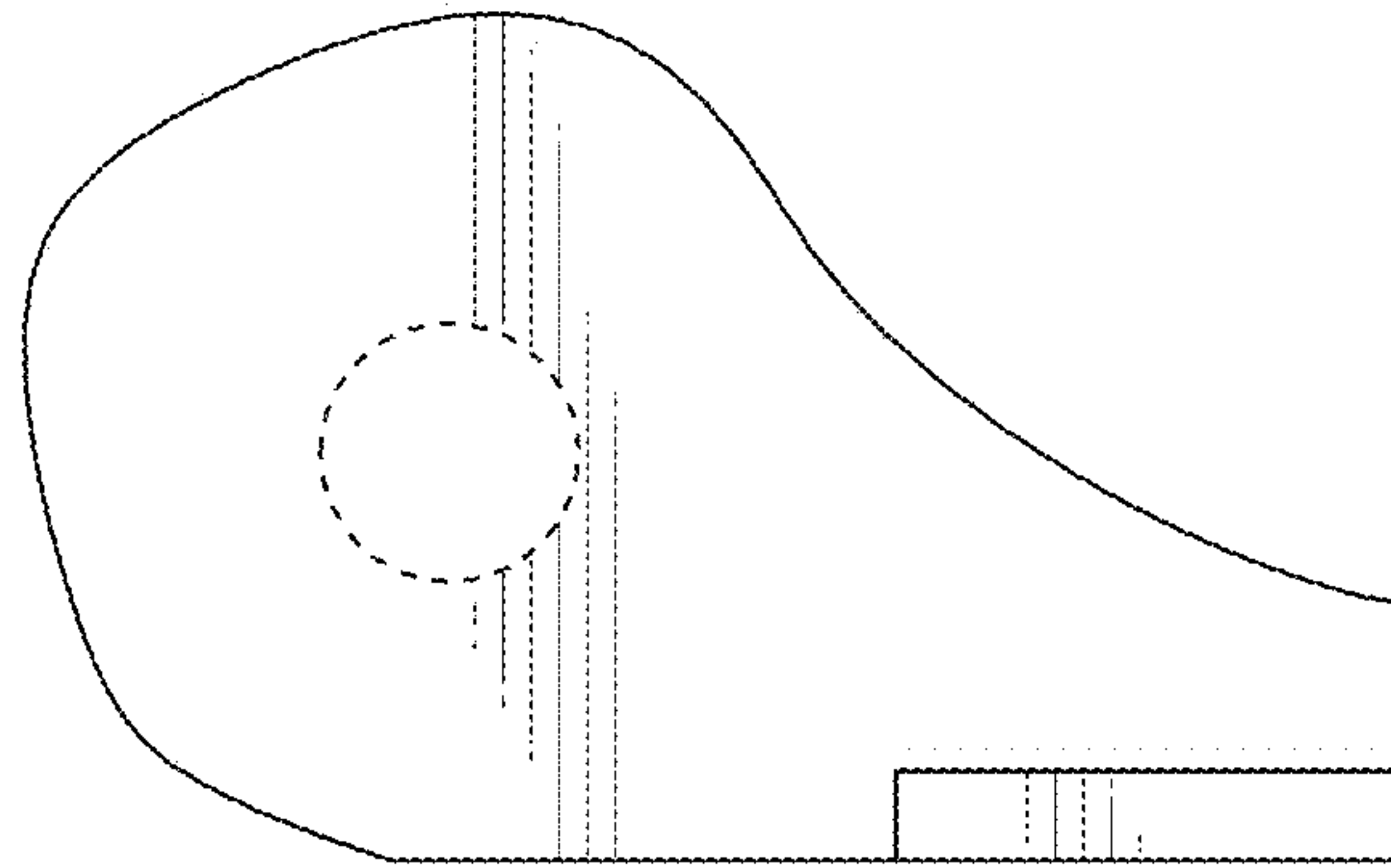


FIG. 5

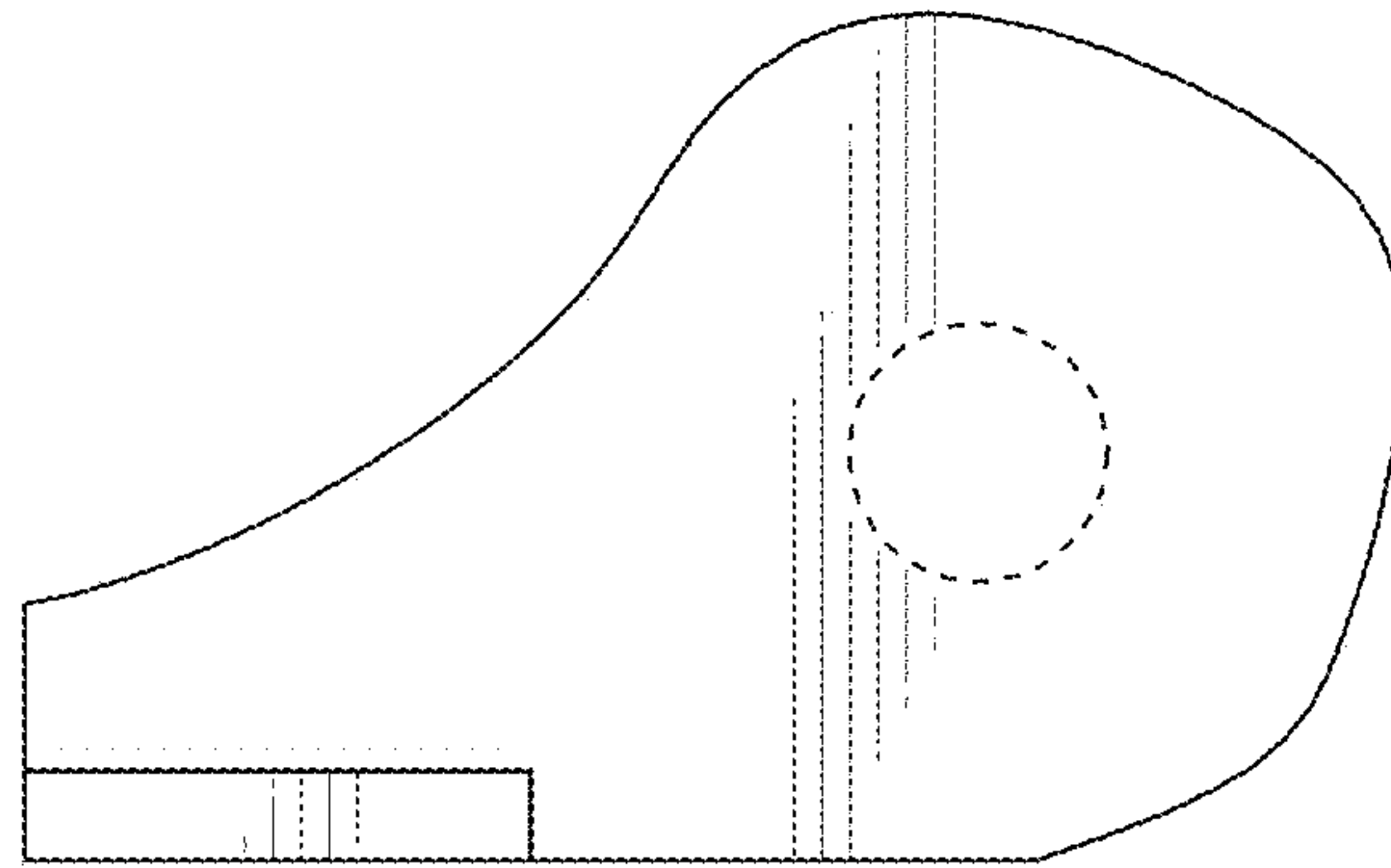


FIG. 6

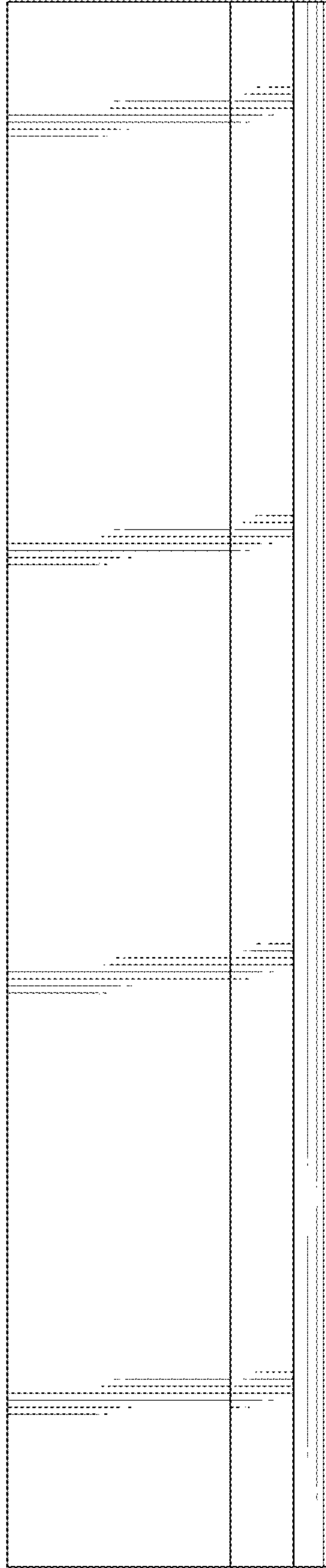


FIG. 7

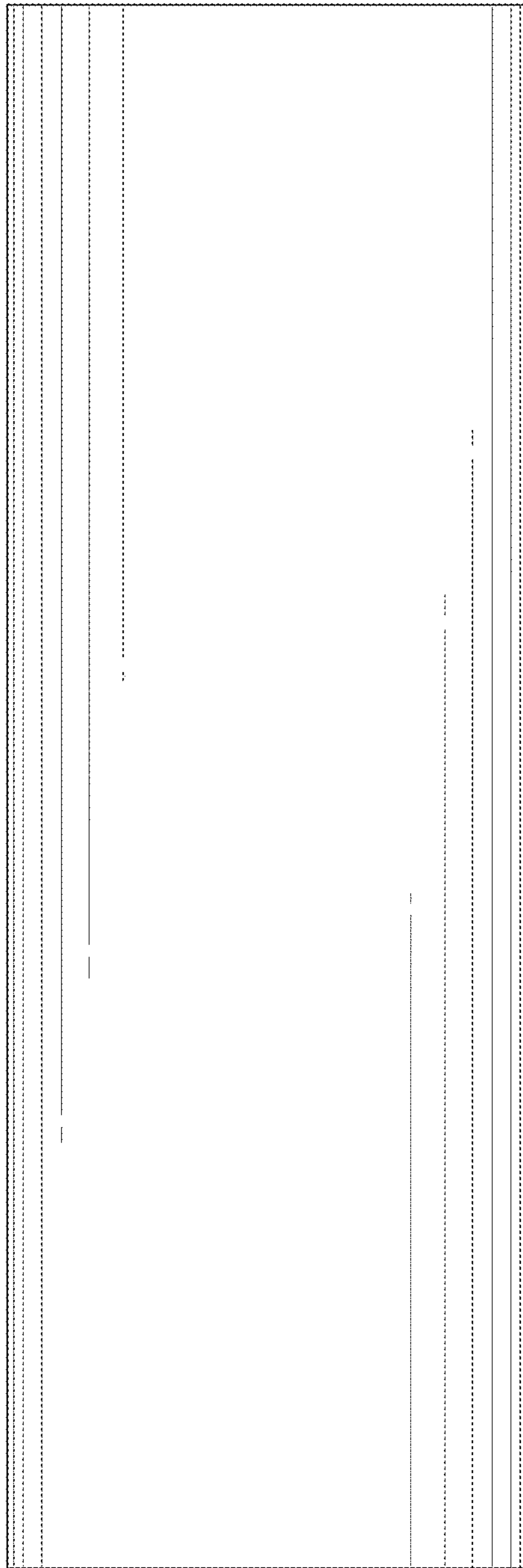


FIG. 9

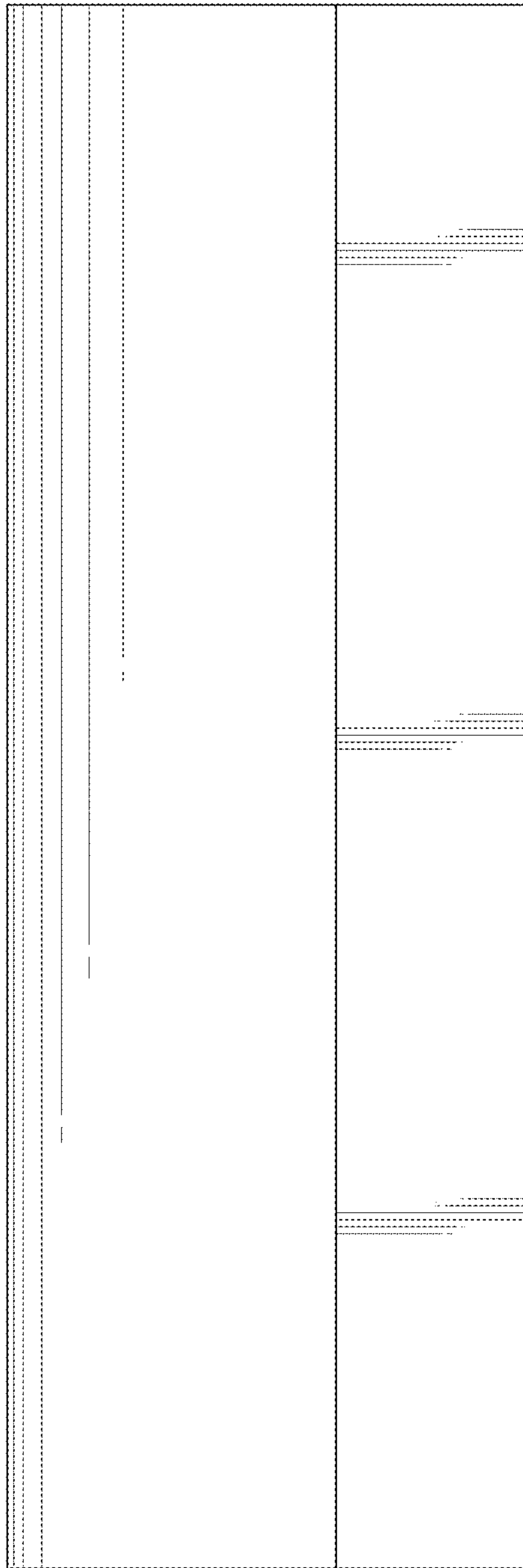


FIG. 10