



US0D1054012S

(12) **United States Design Patent** (10) **Patent No.:** **US D1,054,012 S**
Chen (45) **Date of Patent:** **** Dec. 10, 2024**

(54) **CEILING FAN MOTOR HOUSING**

D1,011,501 S * 1/2024 Ren D23/377
D1,012,260 S * 1/2024 Huang D23/370
D1,025,422 S * 4/2024 Chen D23/377

(71) Applicant: **Air Cool Industrial Co., Ltd.**,
Taichung (TW)

FOREIGN PATENT DOCUMENTS

(72) Inventor: **Ken-Tuan Chen**, Taichung (TW)

CN 308330686 * 11/2023
CN 308365512 * 12/2023
TW 103070-0001 * 2/2005

(73) Assignee: **Air Cool Industrial Co., Ltd.**,
Taichung (TW)

OTHER PUBLICATIONS

(**) Term: **15 Years**

Hinkley Hover, posted Dec. 19, 2022 [online], [retrieved Jun. 11, 2024]. Retrieved from internet, <https://www.lowes.com/pd/Hinkley-Clean-chic-and-modern-the-Hover-52-in-Indoor-Outdoor-Smart-Ceiling-Fan> (Year: 2022).*

(21) Appl. No.: **29/871,064**

* cited by examiner

(22) Filed: **Feb. 10, 2023**

(51) **LOC (14) Cl.** **23-03**

(52) **U.S. Cl.**
USPC **D23/411**

(58) **Field of Classification Search**
USPC D23/370, 377, 379, 385, 411-414;
D26/59, 72

CPC F04D 25/088; F04D 29/38; F04D 29/38A;
F04D 29/386; F21V 33/0096

See application file for complete search history.

Primary Examiner — Keith J Wilson

Assistant Examiner — Carolyn W Davis

(74) *Attorney, Agent, or Firm* — Sinorica International

(57) **CLAIM**

The ornamental design for a ceiling fan motor housing, as shown and described.

(56) **References Cited**

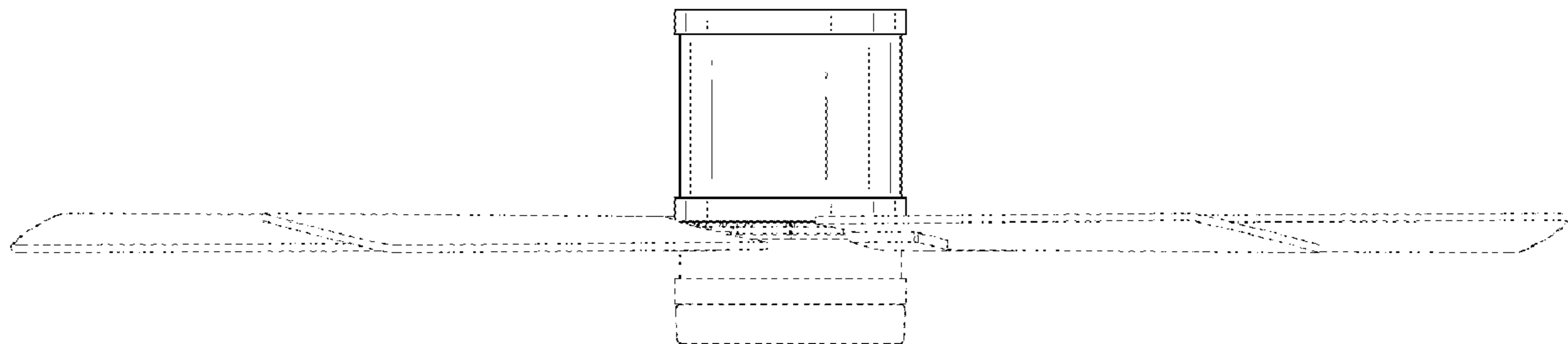
DESCRIPTION

U.S. PATENT DOCUMENTS

5,839,881 A * 11/1998 Yu F04D 25/088
362/369
5,975,848 A * 11/1999 Yu F04D 25/088
416/171
D478,974 S * 8/2003 Hidalgo D23/377
D744,634 S * 12/2015 Wang D23/411
D751,187 S * 3/2016 Dolan D26/59
D840,016 S * 2/2019 Guthrie D23/411
D855,788 S * 8/2019 Haggar D23/377
D933,193 S * 10/2021 Haggar D26/59
D943,079 S * 2/2022 O'Connell D23/377
D969,294 S * 11/2022 Holmes Bradley D23/377
D970,712 S * 11/2022 Eiffert D23/377

FIG. 1 is a front top perspective view of a ceiling fan motor housing showing my new design;
FIG. 2 is a front elevational view thereof;
FIG. 3 is a rear elevational view thereof.
FIG. 4 is a left side elevational view thereof;
FIG. 5 is a right side elevational view thereof;
FIG. 6 is a top plan view thereof;
FIG. 7 is a bottom plan view thereof; and,
FIG. 8 is a front bottom perspective view thereof.
The broken lines illustrate portions of the ceiling fan motor housing and form no part of the claimed design.

1 Claim, 8 Drawing Sheets



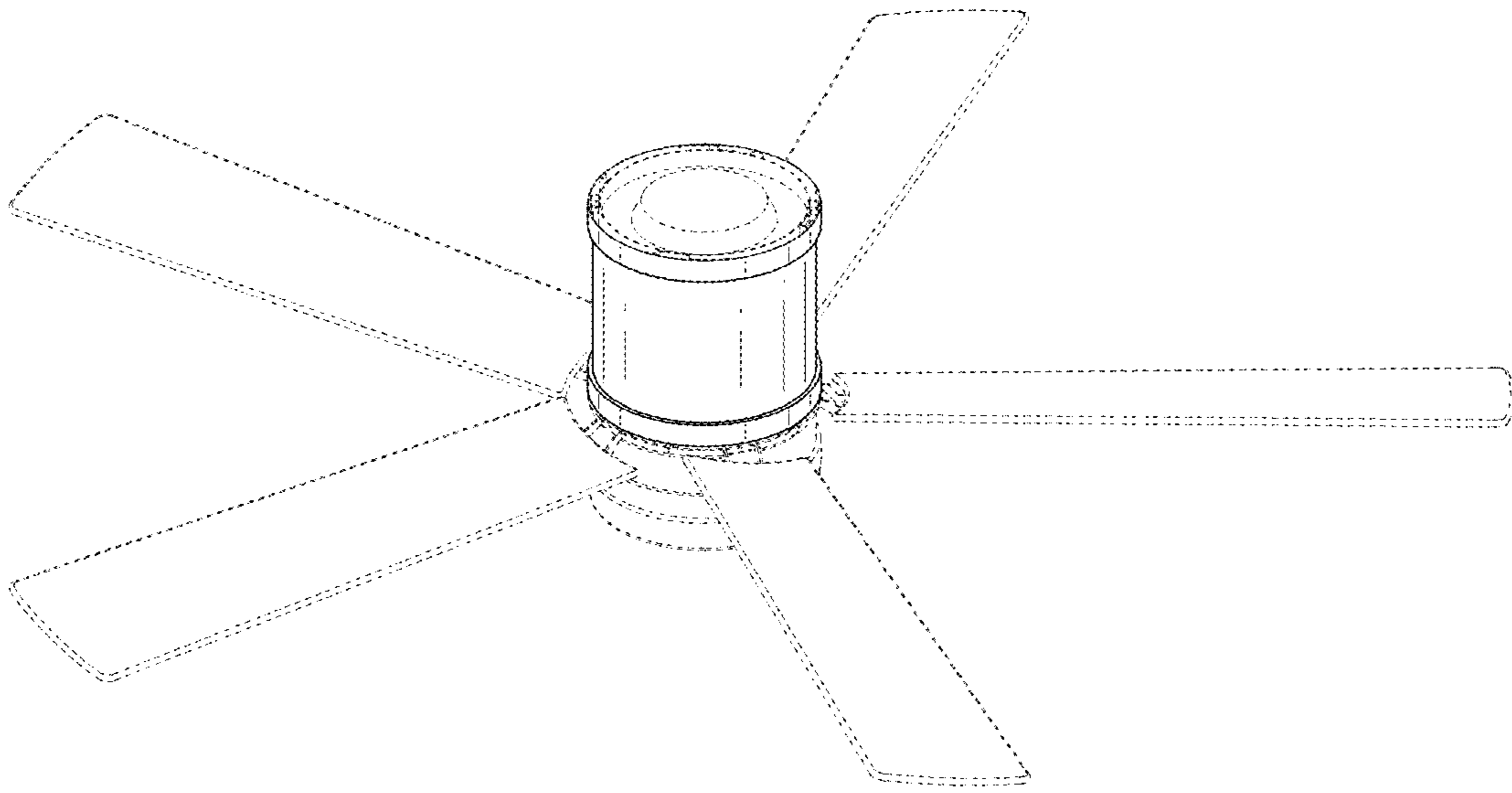


FIG. 1

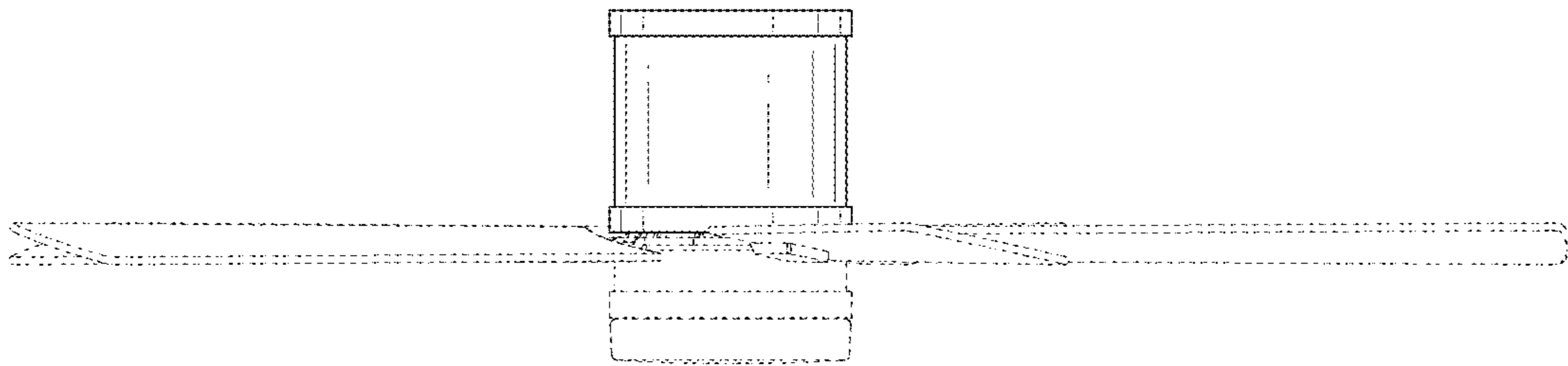


FIG. 2

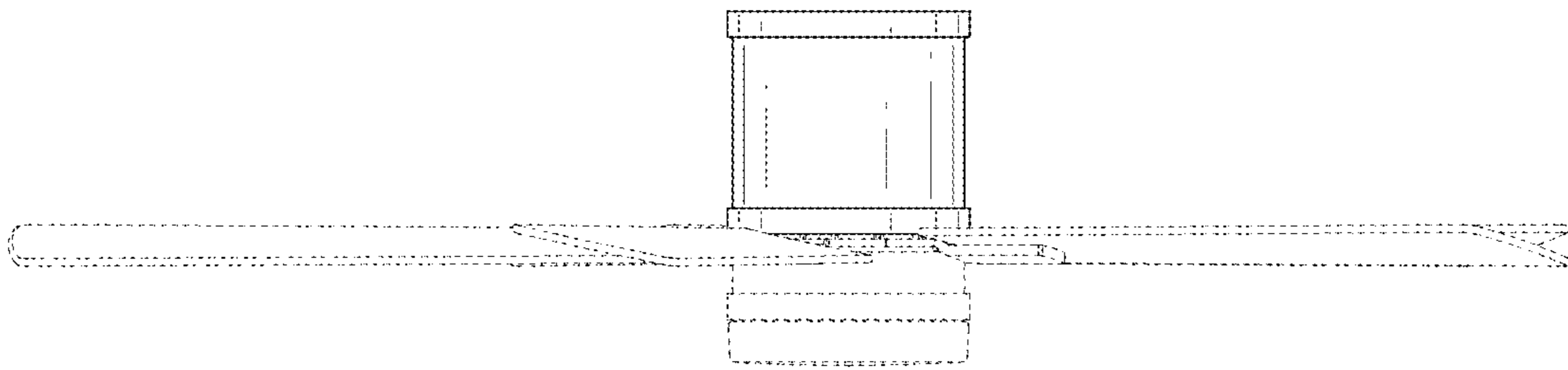


FIG. 3

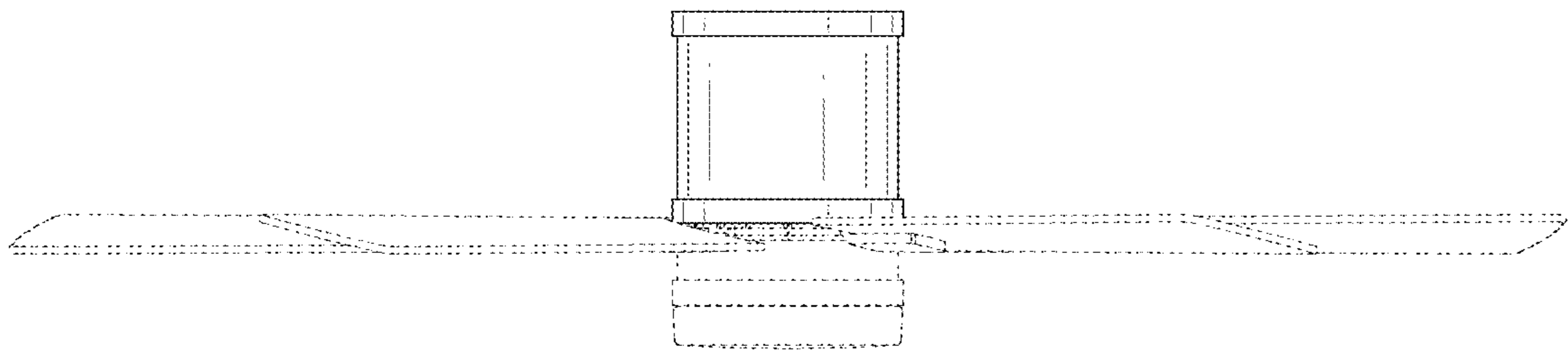


FIG. 4

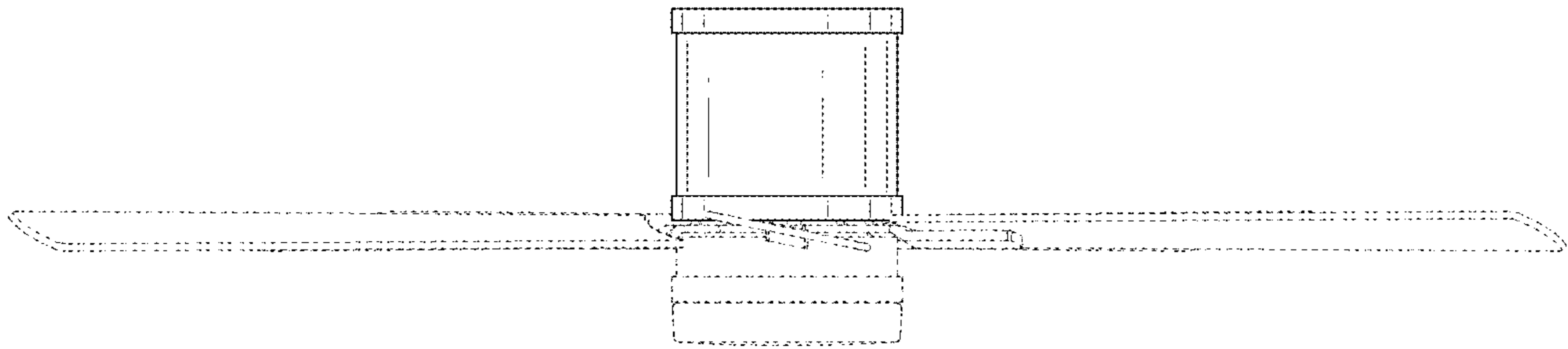


FIG. 5

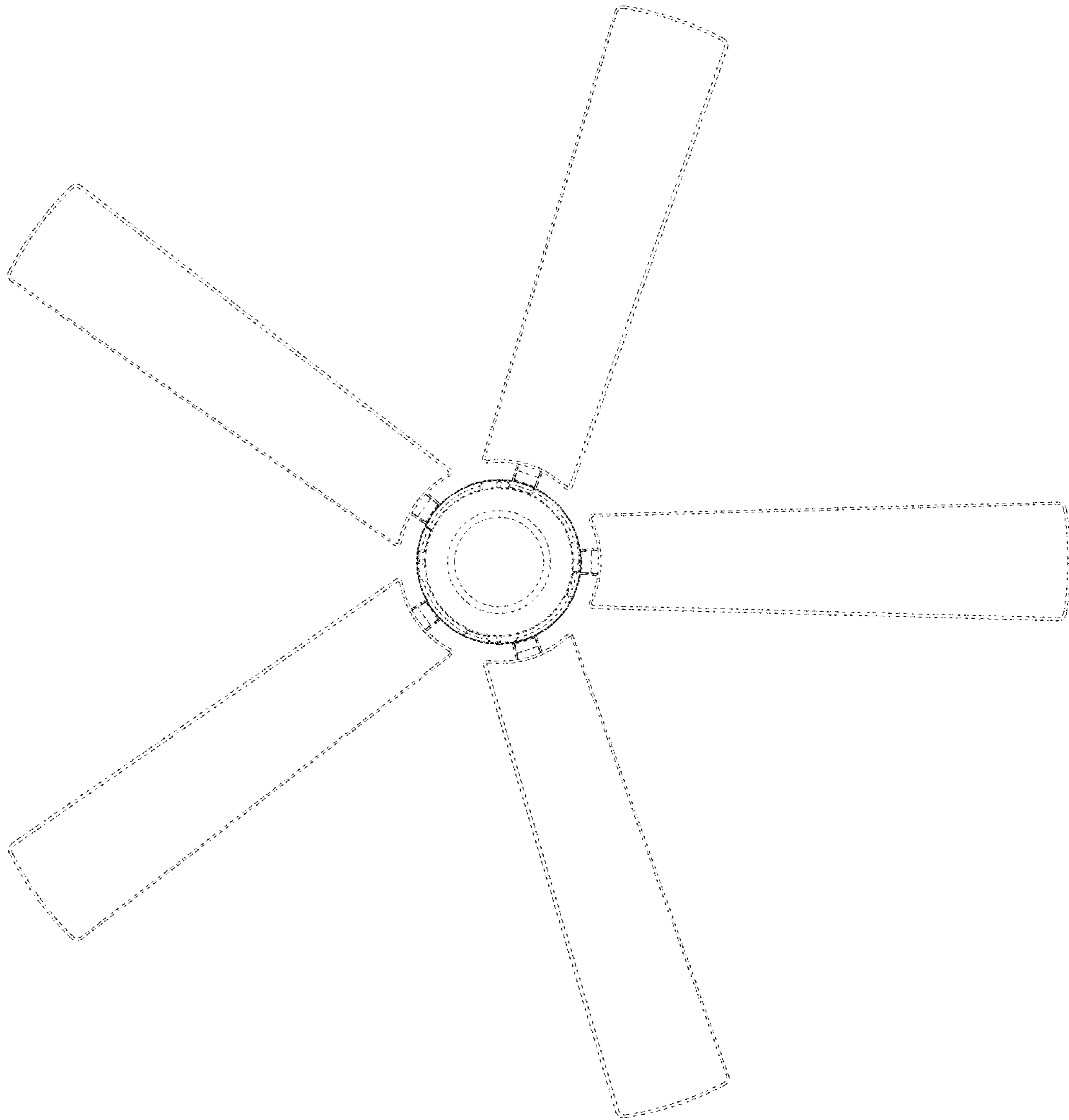


FIG. 6

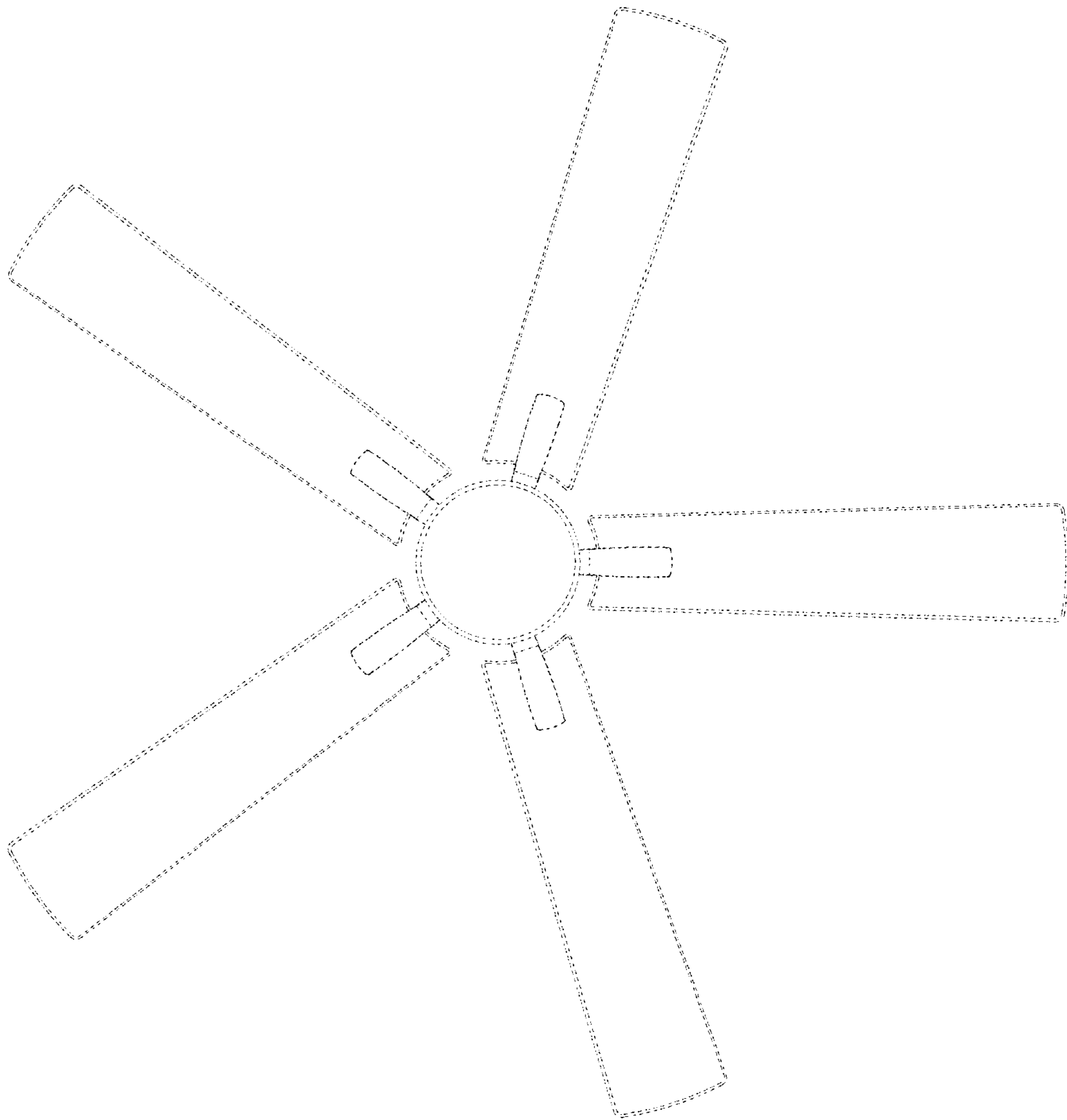


FIG. 7

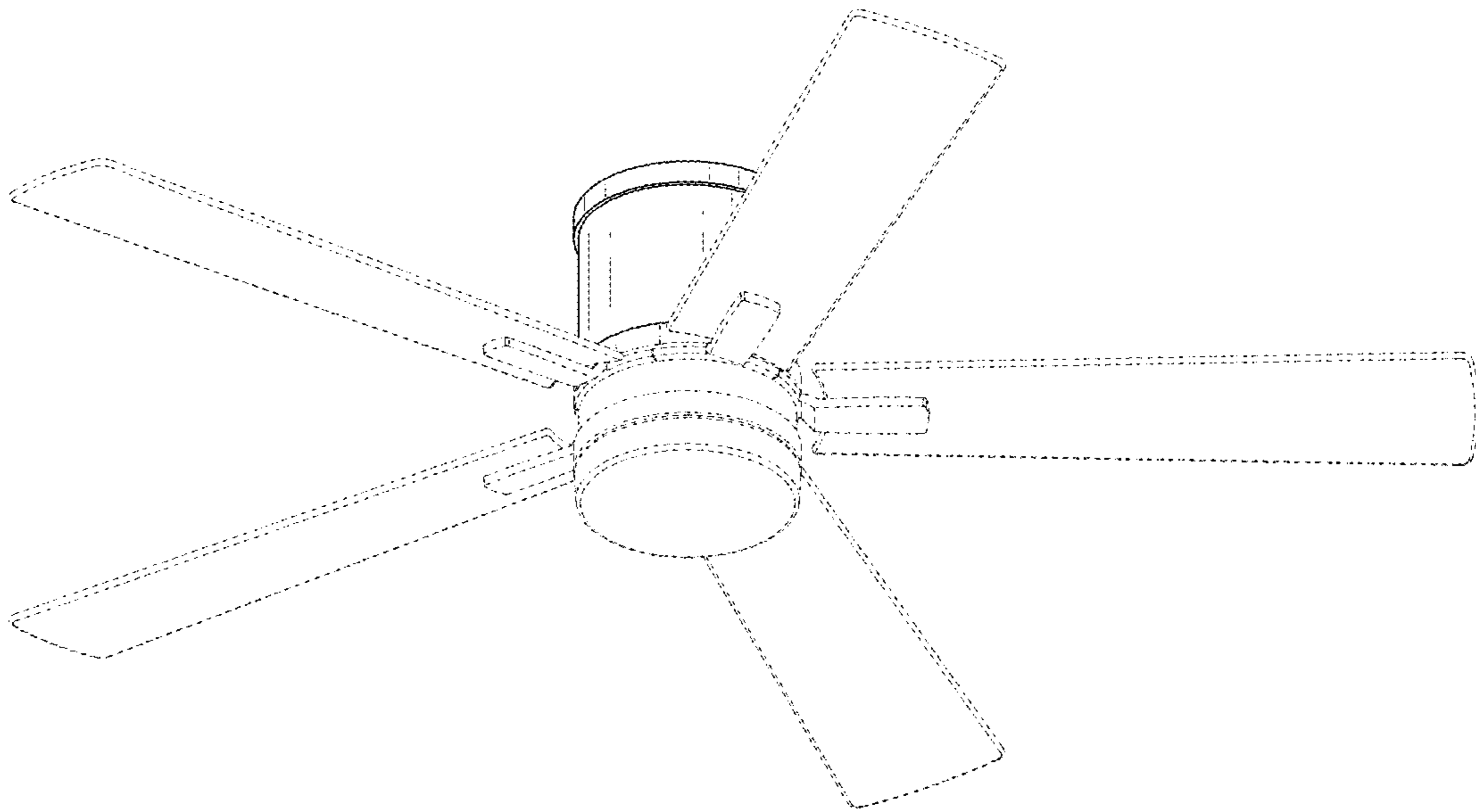


FIG. 8