



US0D1053860S

(12) **United States Design Patent**
Yang

(10) **Patent No.: US D1,053,860 S**

(45) **Date of Patent: ** *Dec. 10, 2024**

(54) **HOLDER FOR ELECTRONIC DEVICES**

H04M 1/12; H04M 1/026; H04M 1/6041;
B60R 11/0241; A47B 2023/049

(71) Applicant: **SHENZHEN LISEN INTELLIGENT CO., LTD.**, Shenzhen (CN)

See application file for complete search history.

(72) Inventor: **Rufeng Yang**, Shenzhen (CN)

(56) **References Cited**

(73) Assignee: **SHENZHEN LISEN INTELLIGENT CO., LTD.**, Shenzhen (CN)

U.S. PATENT DOCUMENTS

(*) Notice: This patent is subject to a terminal disclaimer.

D587,188 S *	2/2009	Mo	D12/415
D614,613 S *	4/2010	Kim	D14/253
D702,056 S *	4/2014	Palkiewicz	D6/552
D784,907 S *	4/2017	Lu	D12/415
D806,522 S *	1/2018	Hsu	D8/355
D824,378 S *	7/2018	Sukphisit	D14/253
D883,273 S *	5/2020	Chen	D14/253

(Continued)

(**) Term: **15 Years**

(21) Appl. No.: **29/884,959**

OTHER PUBLICATIONS

(22) Filed: **Feb. 17, 2023**

Magnetic Phone Holder for Car. Fonken, amazon.com (online) 4 pages. Posted May 14, 2023. [Retrieved May 16, 2024] <https://a.co/d/bA1Hriv> (Year: 2023).*

(51) **LOC (14) Cl.** **14-99**

(52) **U.S. Cl.**

USPC **D14/253**; D12/415

(Continued)

(58) **Field of Classification Search**

USPC D6/308; D14/305, 306, 307, 336, 371, D14/373, 374, 375, 376, 388, 389, 432, D14/125, 126, 127, 314, 379, 129, 448, D14/449, 450, 451, 452, 132, 217, 239, D14/339, 340, 356, 377, 378, 380, 315, D14/316, 322, 334, 335, 447, 251, 252, D14/253, 440, 240; D12/420, 415

CPC G06F 1/16; G06F 1/1601; G06F 1/1603; G06F 1/1605; G06F 1/1607; G06F 1/1611; G06F 1/1615; G06F 1/1616; G06F 1/1618; G06F 1/1622; G06F 1/1624; G06F 1/1626; G06F 1/1637; G06F 1/1641; G06F 1/1643; G06F 1/1647; G06F 1/1649; G06F 1/1654; G06F 1/1656; G06F 1/162; G06F 1/181; G06F 1/1683; G06F 1/1684; G06F 1/1686; G06F 1/1692; H05K 5/00; H05K 5/03; H05K 5/0243; H05K 5/0286; H05K 5/0239; H05K 5/02; H05K 5/0204; H05K 5/0217; H05K 5/0247; H05K 5/0234; H05K 5/0213; H04N 5/64; H04N 5/645; H04M 1/04; H04M 1/6075; H04M 1/06;

Primary Examiner — Rebekah A Caruso
Assistant Examiner — Cole Sanders Holman
(74) *Attorney, Agent, or Firm* — Jeenam Park

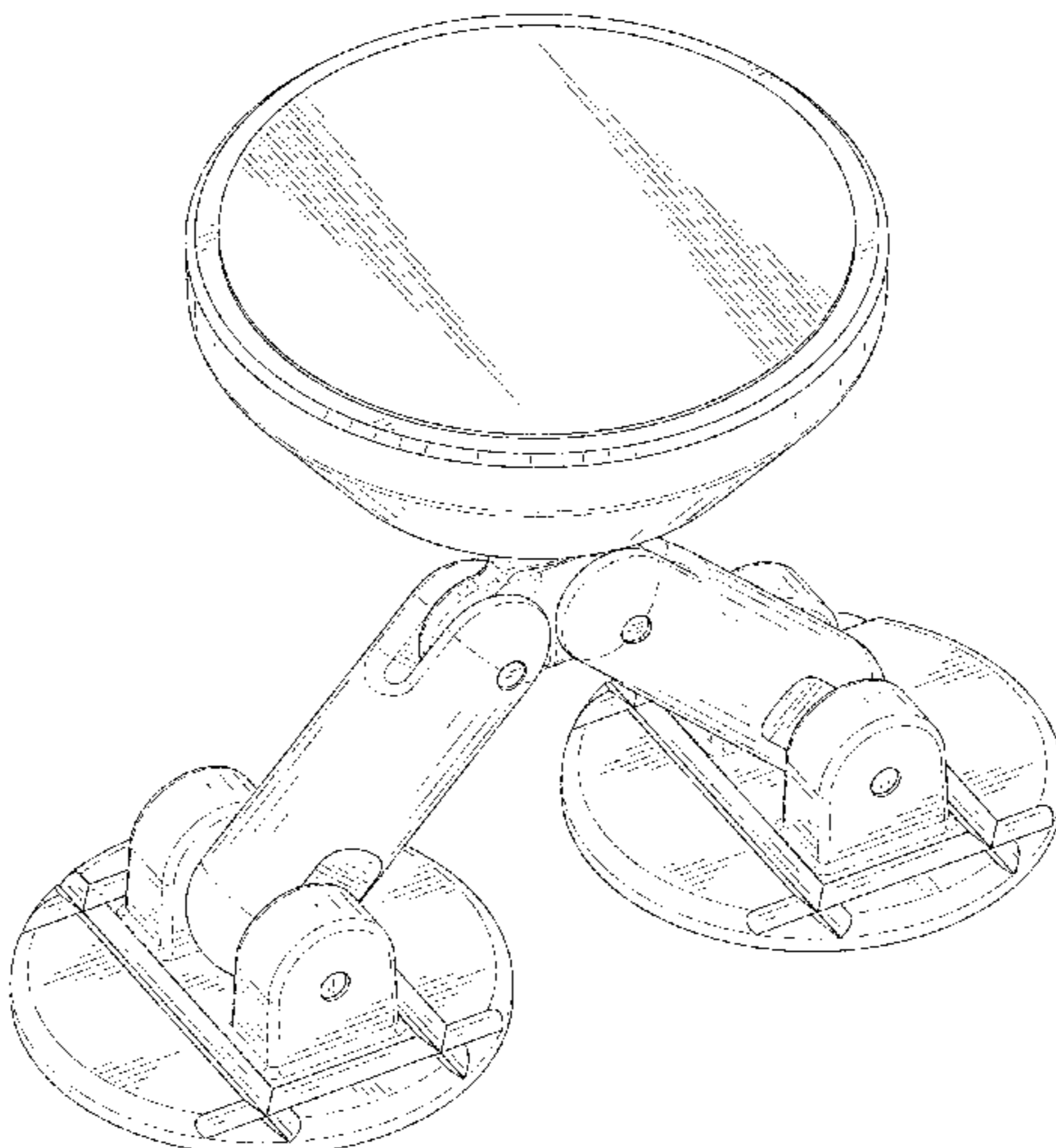
(57) **CLAIM**

The ornamental design for a holder for electronic devices as shown and described.

DESCRIPTION

FIG. 1 is a perspective view of a holder for electronic devices showing my new design;
FIG. 2 is another perspective view thereof;
FIG. 3 is a front elevational view thereof;
FIG. 4 is a rear elevational view thereof;
FIG. 5 is a left side elevational view thereof;
FIG. 6 is a right side elevational view thereof;
FIG. 7 is a top plan view thereof; and,
FIG. 8 is a bottom plan view thereof.

1 Claim, 8 Drawing Sheets



(56)

References Cited

U.S. PATENT DOCUMENTS

D943,568 S * 2/2022 Zhang D14/253
D1,026,894 S * 5/2024 Xu D14/253
2018/0056888 A1* 3/2018 Wang B60R 11/0241
2018/0341289 A1* 11/2018 Schachter H04B 1/3877
2023/0291822 A1* 9/2023 Liu G06F 1/1632
2023/0328164 A1* 10/2023 Kang F16M 13/022

OTHER PUBLICATIONS

Magnet Car Mount. Lisen, amazon.com (online) 7 pages. Posted Apr. 24, 2023. [Retrieved May 16, 2024] <https://www.amazon.com/LISEN-Magnetic-Rotation-Dashboard-Smartphones/dp/B0C3D88WYH> (Year: 2023).*

Car Phone Holder. Lisen, amazon.com.au (online) 3 pages. Posted Jul. 5, 2022. [Retrieved May 16, 2024] <https://www.amazon.com.au/Suction%E3%80%91LISEN-Holder%E3%80%91Magnetic-Surface-Friendly-Smartphones/dp/B09YY5MH44> (Year: 2022).*

Ryu Gee-Soo, KR Design No. 300979446.0000, published at Orbit, publication date Nov. 5, 2018. Site visited May 16, 2024. Available from internet (Year: 2018).*

* cited by examiner

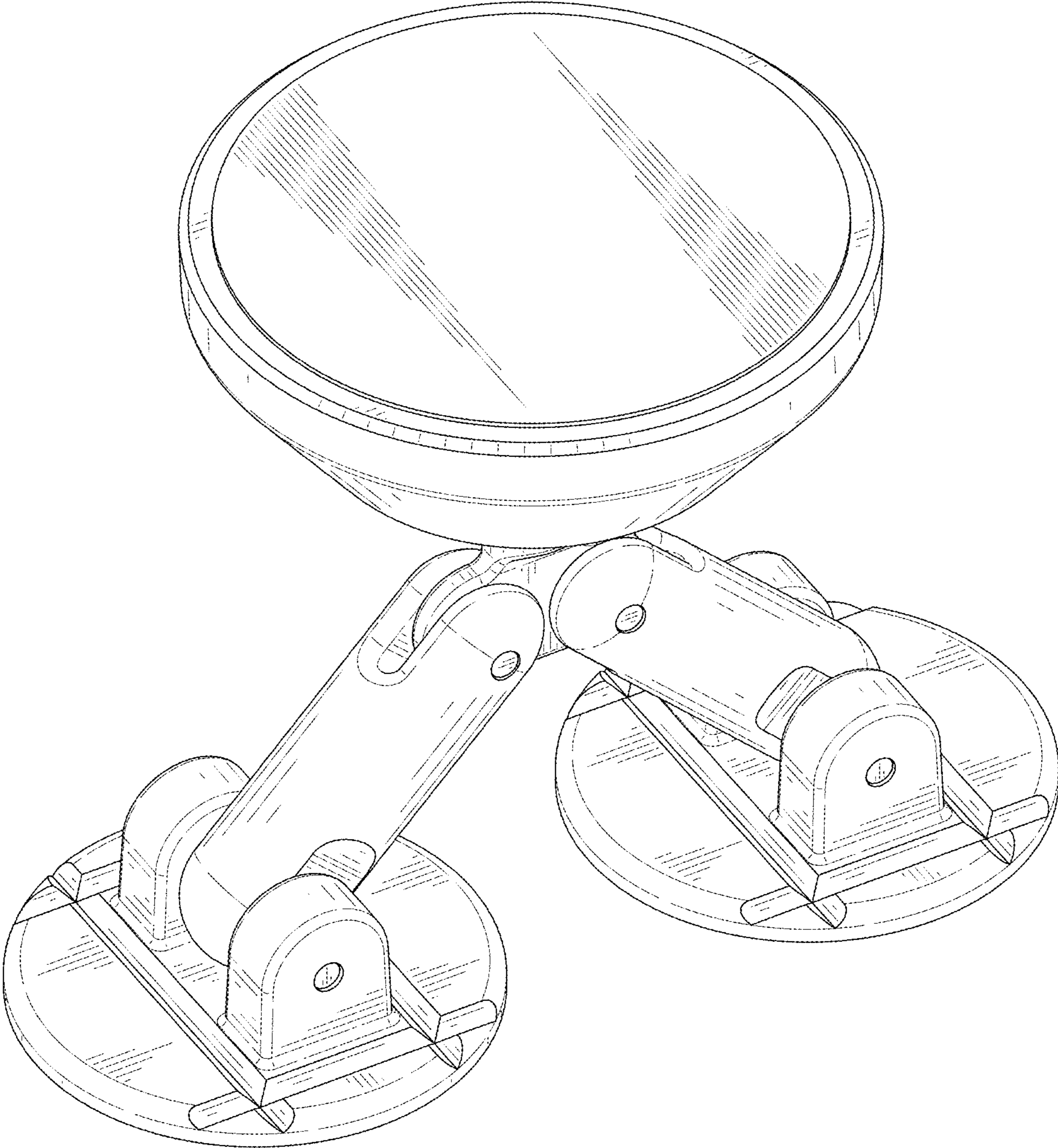


FIG. 1

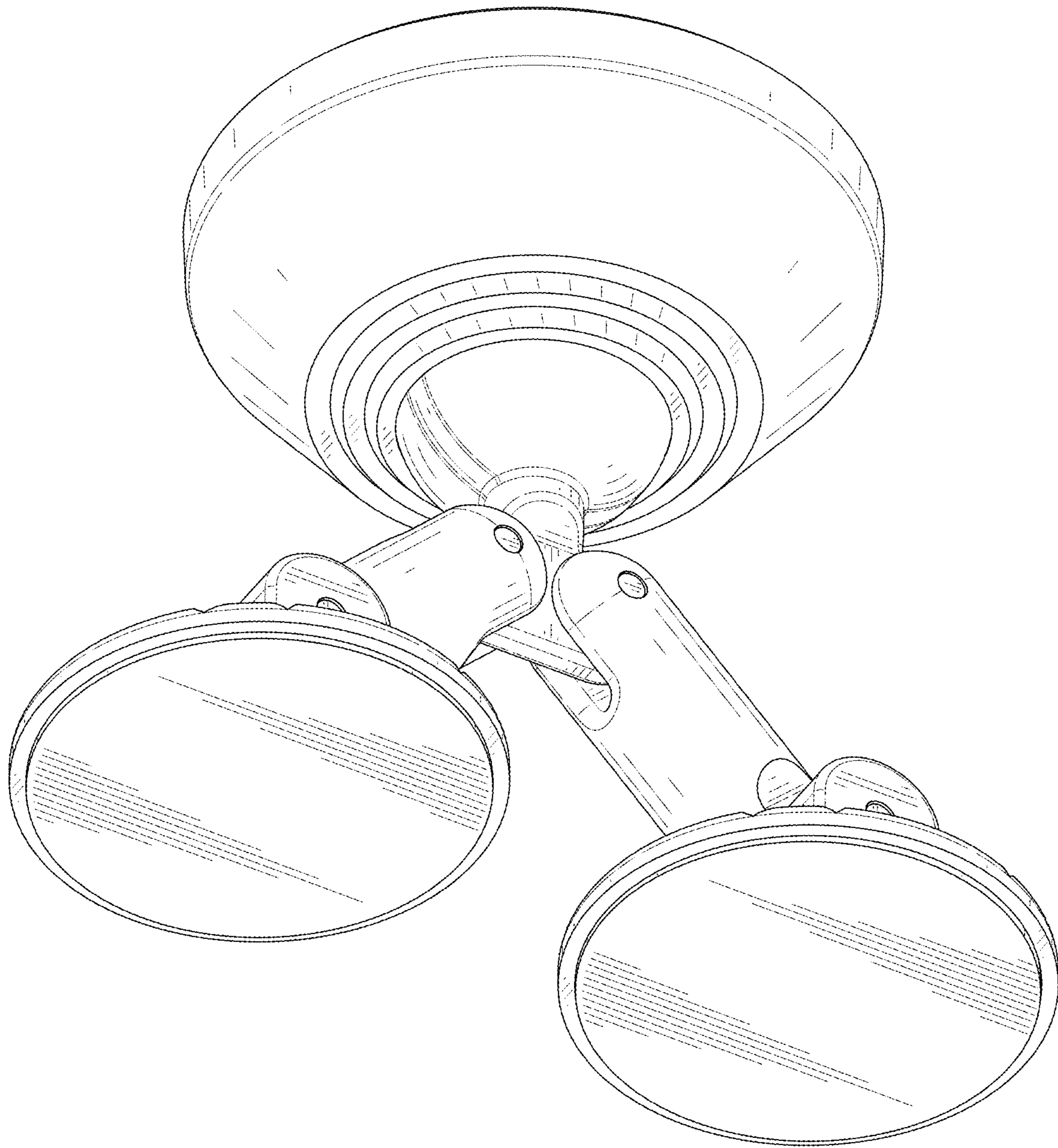


FIG. 2

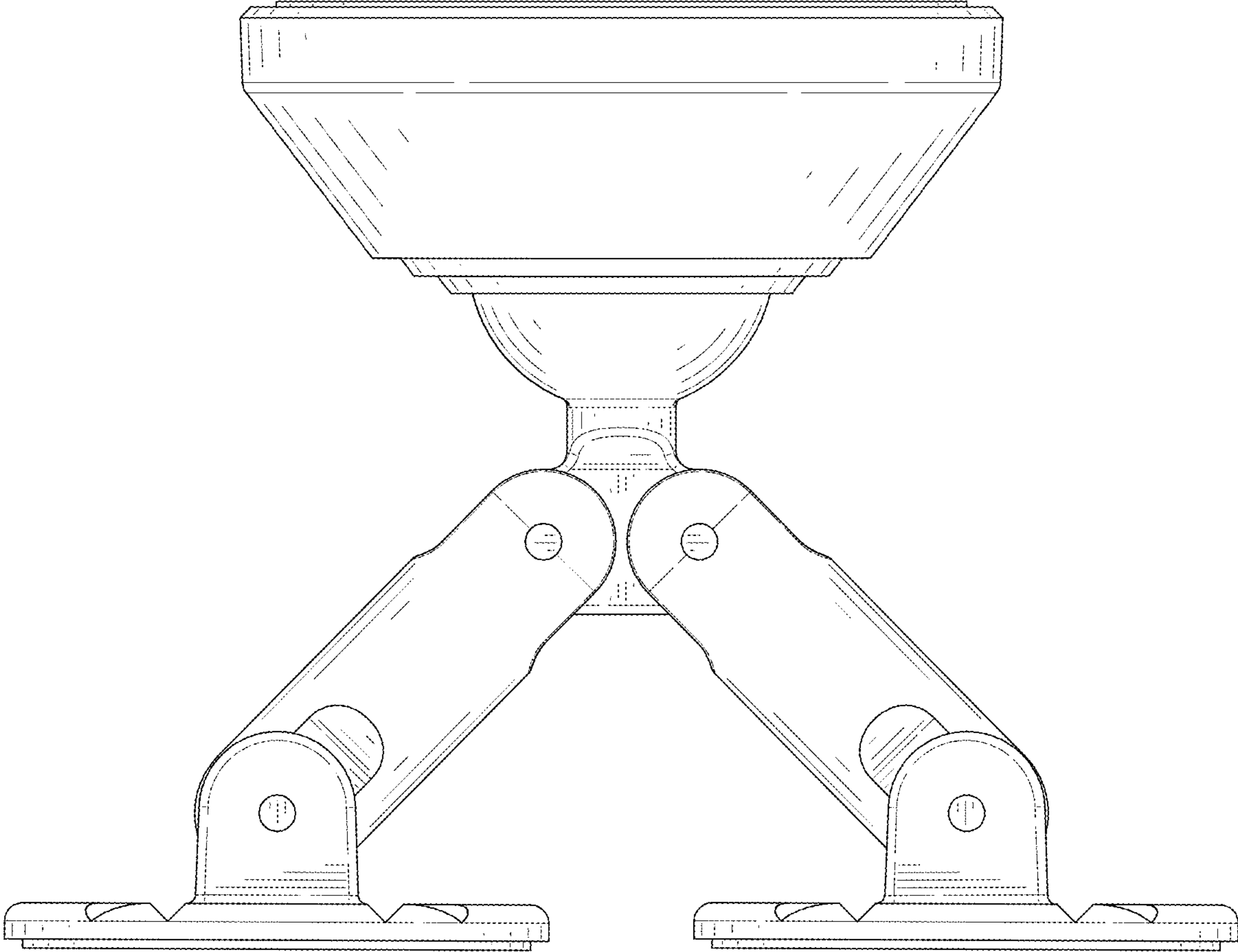


FIG. 3

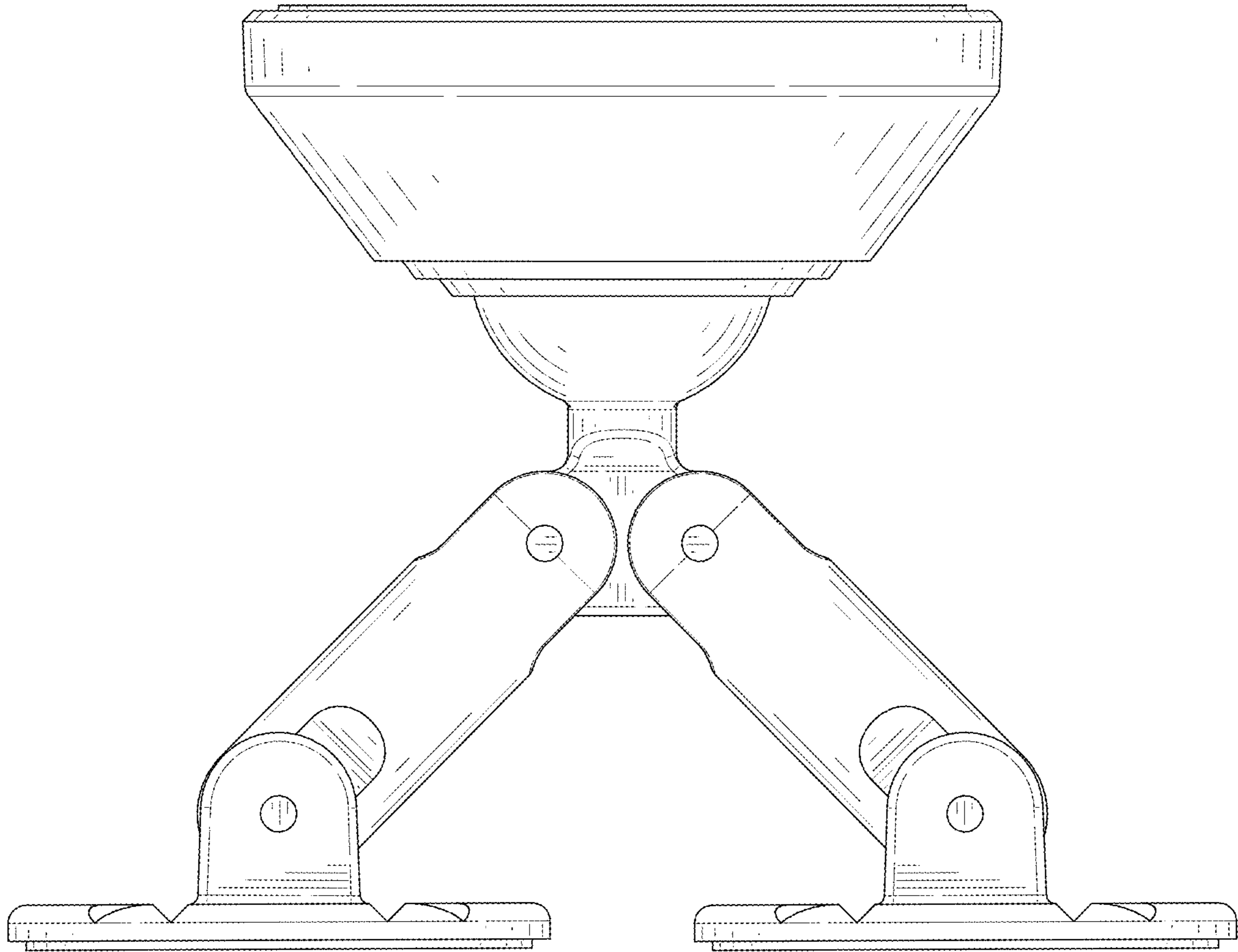


FIG. 4

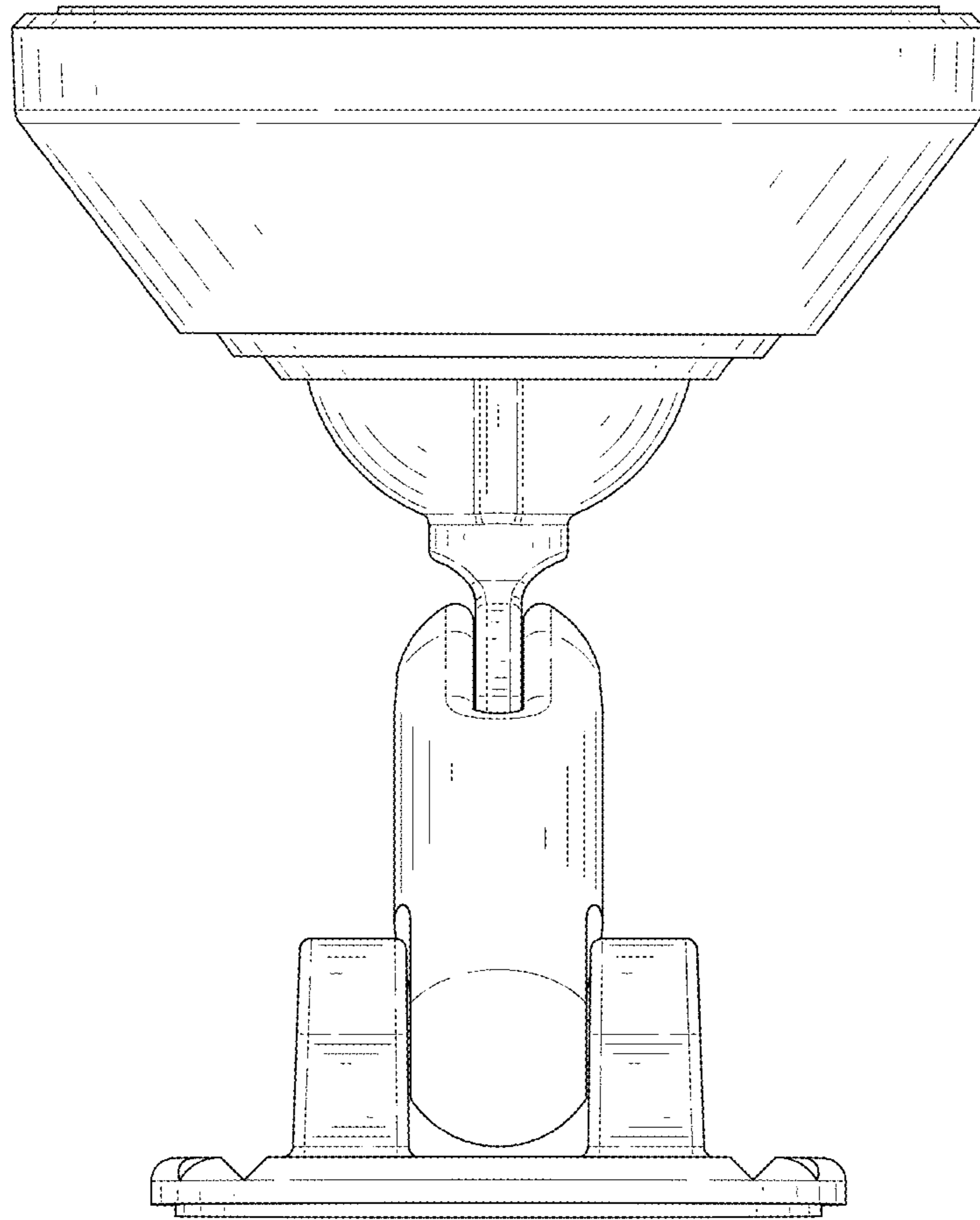


FIG. 5

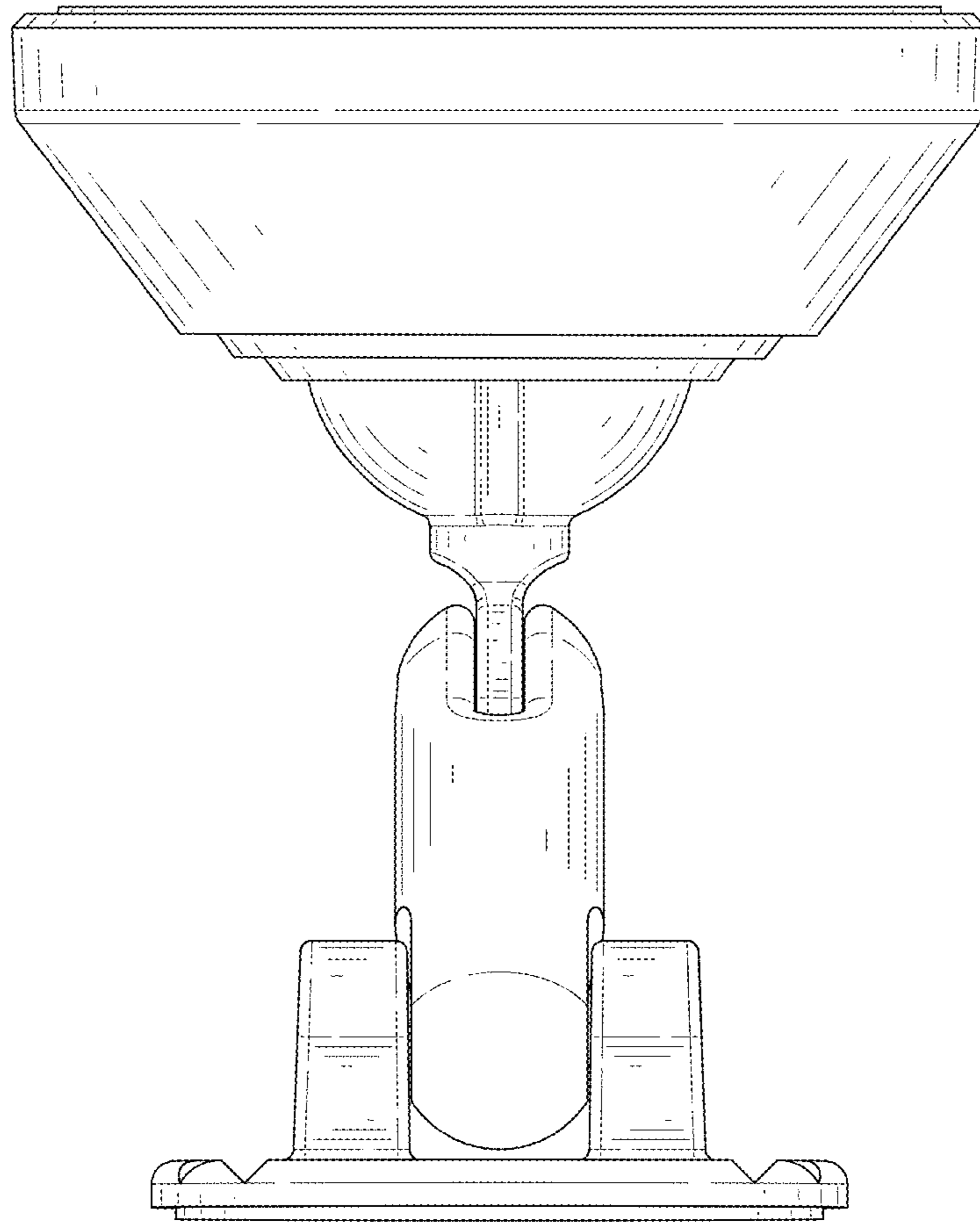


FIG. 6

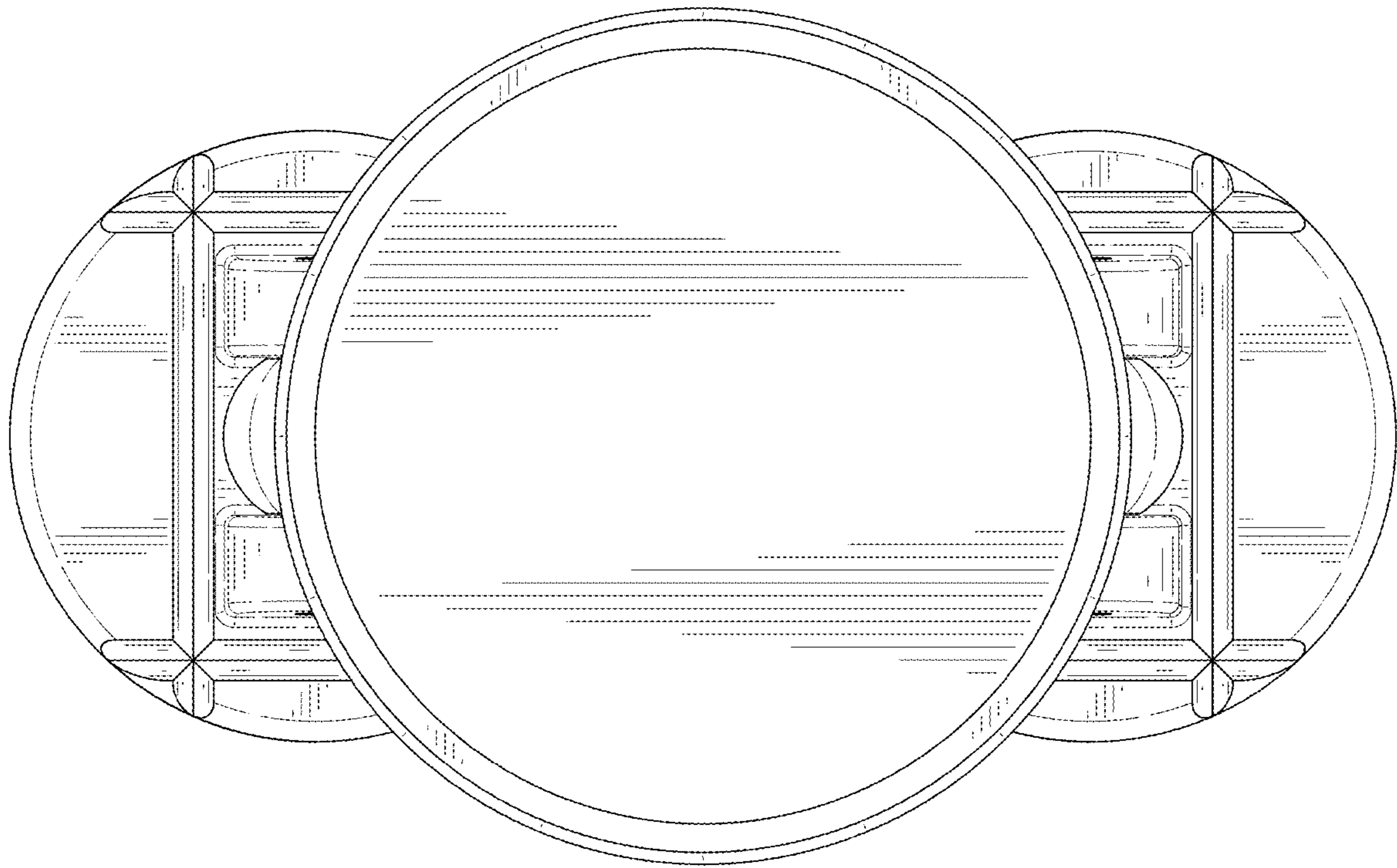


FIG. 7

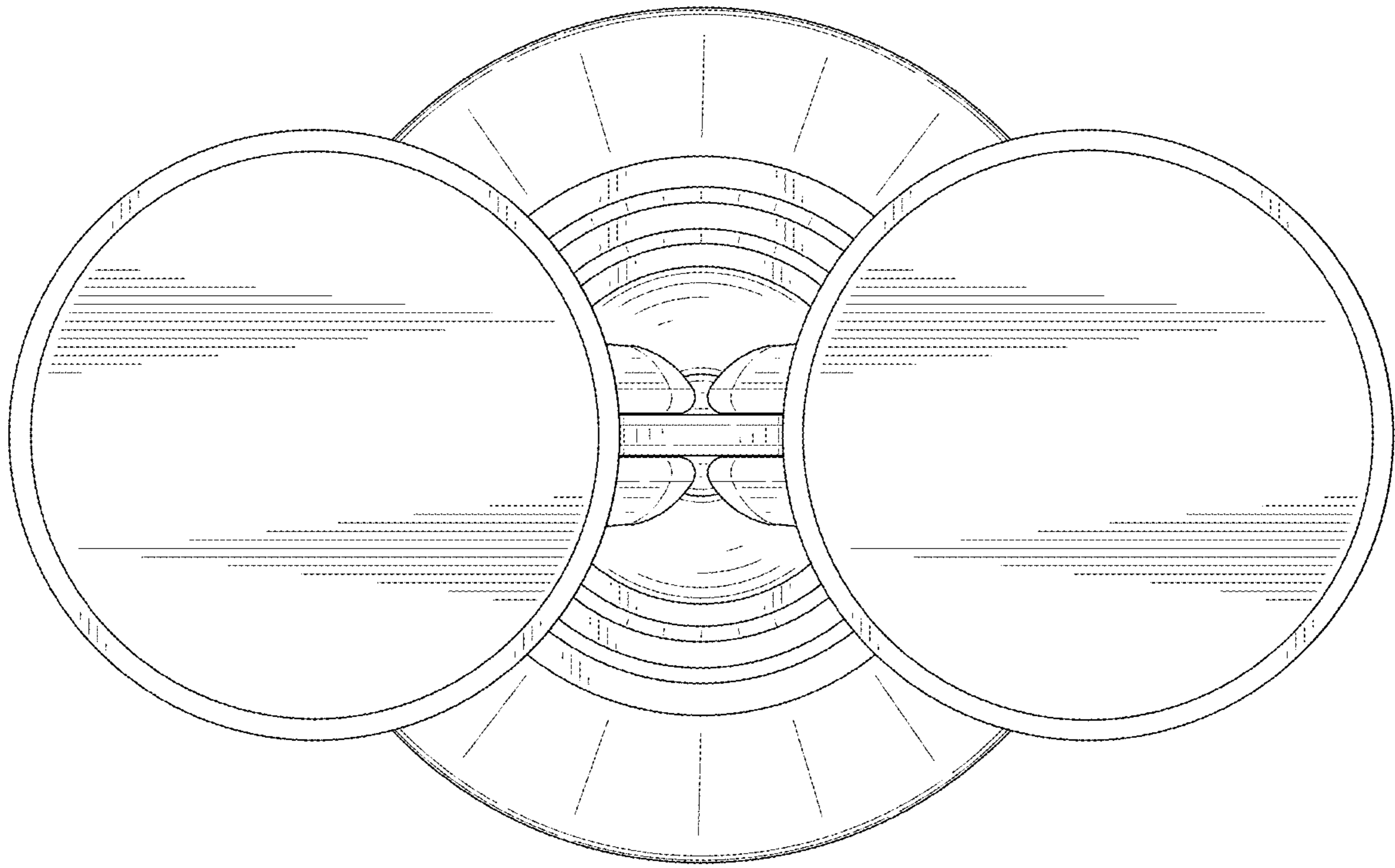


FIG. 8