



US0D1053729S

(12) **United States Design Patent**  
**McMahon**

(10) **Patent No.: US D1,053,729 S**  
(45) **Date of Patent: \*\* Dec. 10, 2024**

- (54) **RADAR REFLECTIVE DEVICE**
- (71) Applicant: **Kevin Patrick McMahon**, Plano, TX (US)
- (72) Inventor: **Kevin Patrick McMahon**, Plano, TX (US)
- (\*\*) Term: **15 Years**
- (21) Appl. No.: **29/815,340**
- (22) Filed: **Nov. 12, 2021**

- 5,457,472 A \* 10/1995 Bjordal ..... H01Q 15/20 343/915
- 5,459,468 A \* 10/1995 Hartal ..... G01S 13/935 342/6
- D409,773 S \* 5/1999 Pedersen ..... D26/28
- 6,061,012 A \* 5/2000 Sakimura ..... H01Q 1/1235 343/915
- 6,070,373 A \* 6/2000 Diamond ..... E04B 1/19 52/81.3
- 6,570,545 B1 \* 5/2003 Snow ..... H01Q 15/163 343/915
- D756,023 S \* 5/2016 Hoffer ..... D26/118
- D842,155 S \* 3/2019 Mogridge ..... D10/111
- D861,231 S \* 9/2019 Cai ..... D26/113
- 2006/0187110 A1 \* 8/2006 Nasvall ..... H01Q 1/28 342/7
- 2024/0077577 A1 \* 3/2024 Walls ..... G01S 13/885

**Related U.S. Application Data**

- (63) Continuation of application No. 17/402,283, filed on Aug. 13, 2021.
  - (51) **LOC (14) Cl. .... 10-04**
  - (52) **U.S. Cl.**  
USPC ..... **D10/70**
  - (58) **Field of Classification Search**  
USPC ..... D10/46, 65, 111; D26/28, 113, 118  
CPC ..... G01S 13/931; G01S 2013/93271; G01S 7/027; G01S 13/93; H01Q 15/18; H01Q 1/3233
- See application file for complete search history.

**References Cited**

**U.S. PATENT DOCUMENTS**

- (56) 3,039,093 A \* 6/1962 Rockwood ..... H01Q 15/18 D26/68
- 4,119,965 A \* 10/1978 Kaszyk ..... H01Q 15/20 342/8
- 4,551,726 A \* 11/1985 Berg ..... H01Q 15/18 342/7
- 4,990,918 A \* 2/1991 Michelson ..... H01Q 15/18 342/7
- 4,996,536 A \* 2/1991 Broadhurst ..... H01Q 15/18 343/912

\* cited by examiner

*Primary Examiner* — George D. Kirschbaum  
*Assistant Examiner* — Lillian Embrey  
(74) *Attorney, Agent, or Firm* — Snell & Wilmer L.L.P.

(57) **CLAIM**

The ornamental design for the radar reflective device as shown and described.

**DESCRIPTION**

FIG. 1 is top perspective of the radar reflective device; FIG. 2 is a bottom perspective view thereof; FIG. 3 is a third perspective view thereof; FIG. 4 is a fourth perspective view thereof; FIG. 5 is a view showing the back side thereof; FIG. 6 is a view showing the front side thereof; FIG. 7 is a view showing a right side thereof, where the left side is a mirror thereof; FIG. 8 is a bottom plan view thereof; FIG. 9 is a top plan view thereof; FIG. 10 is a view showing the under side thereof; and, FIG. 11 is a view showing the upper side thereof.

**1 Claim, 10 Drawing Sheets**

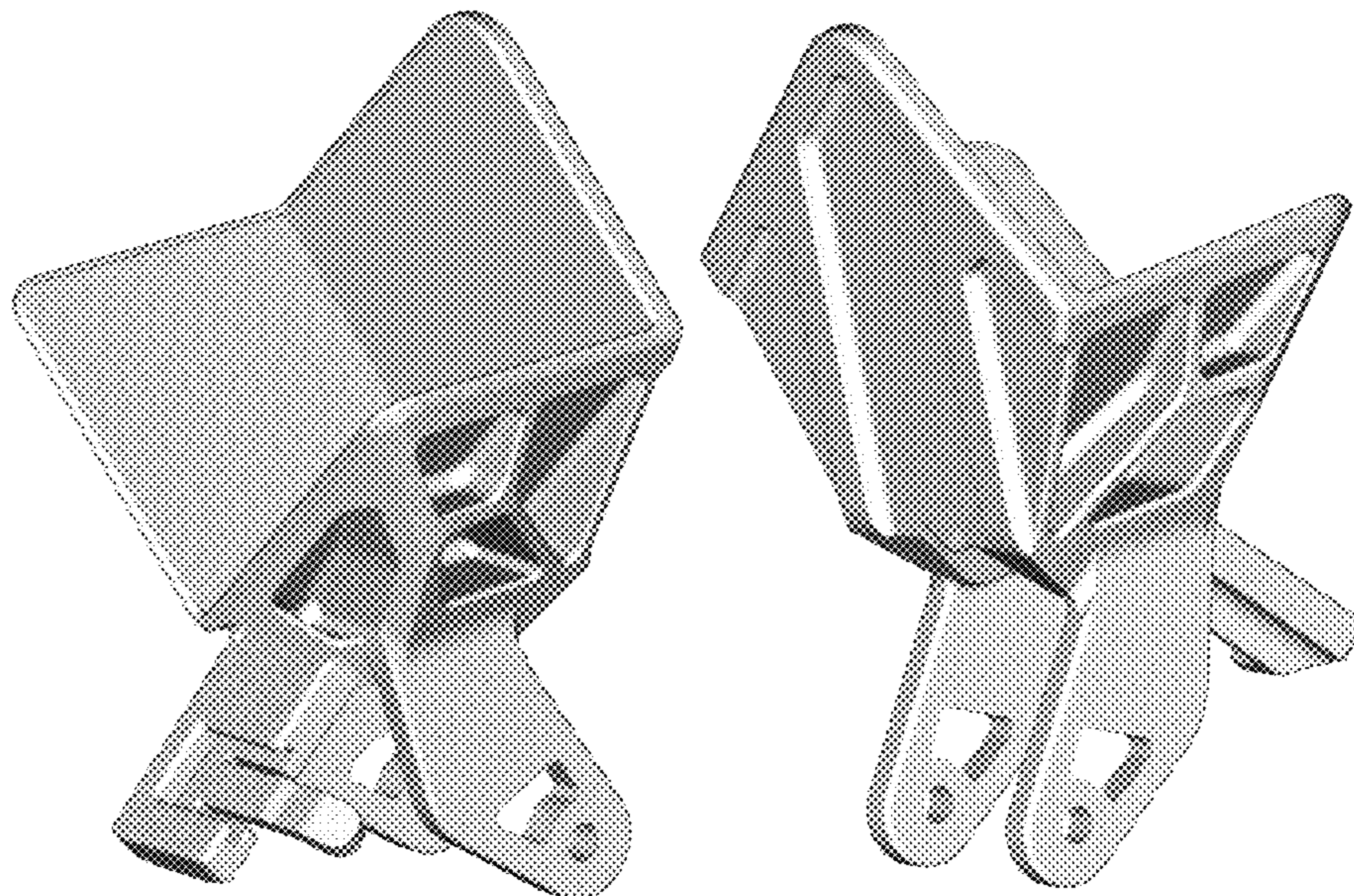
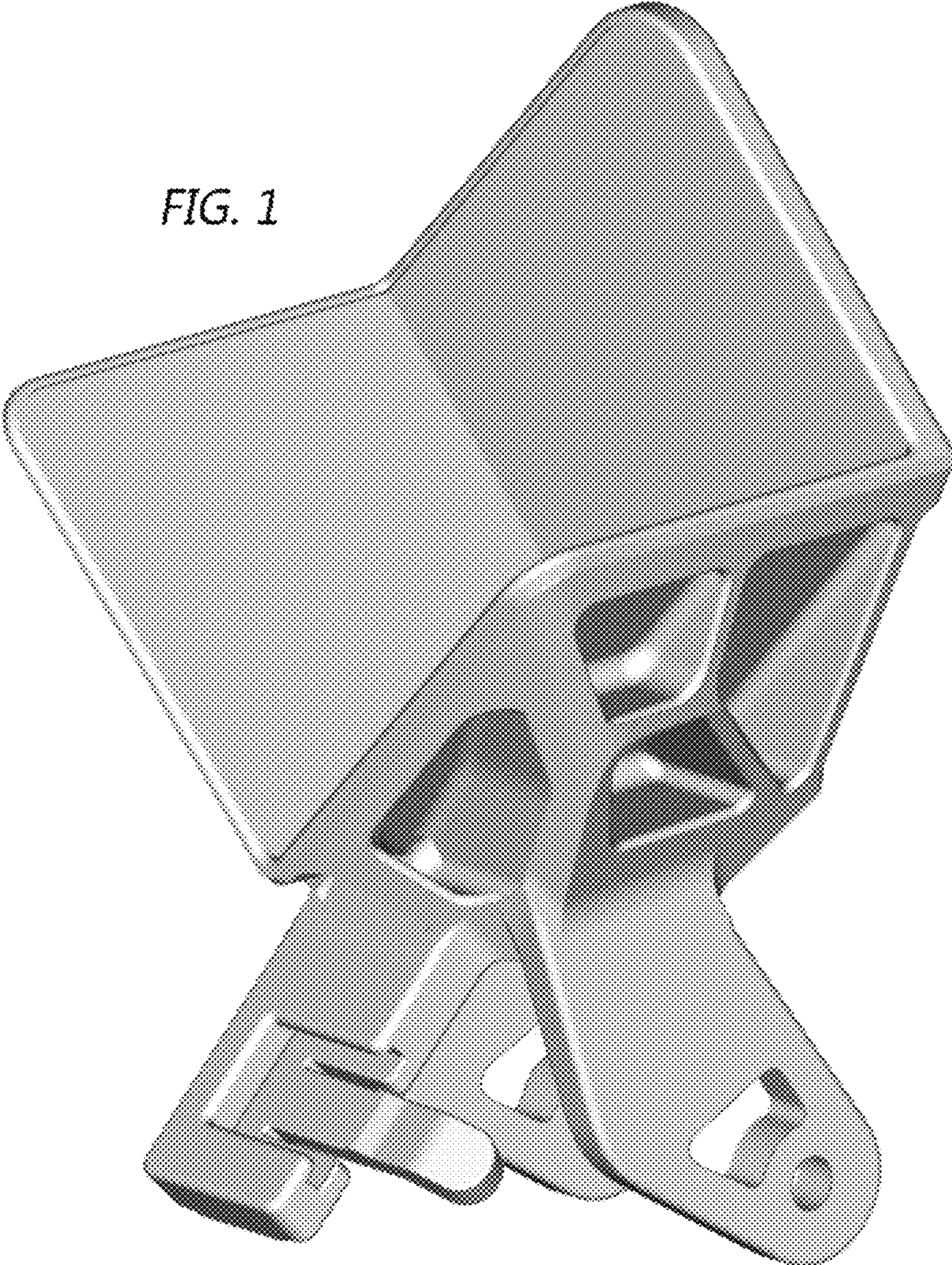


FIG. 1



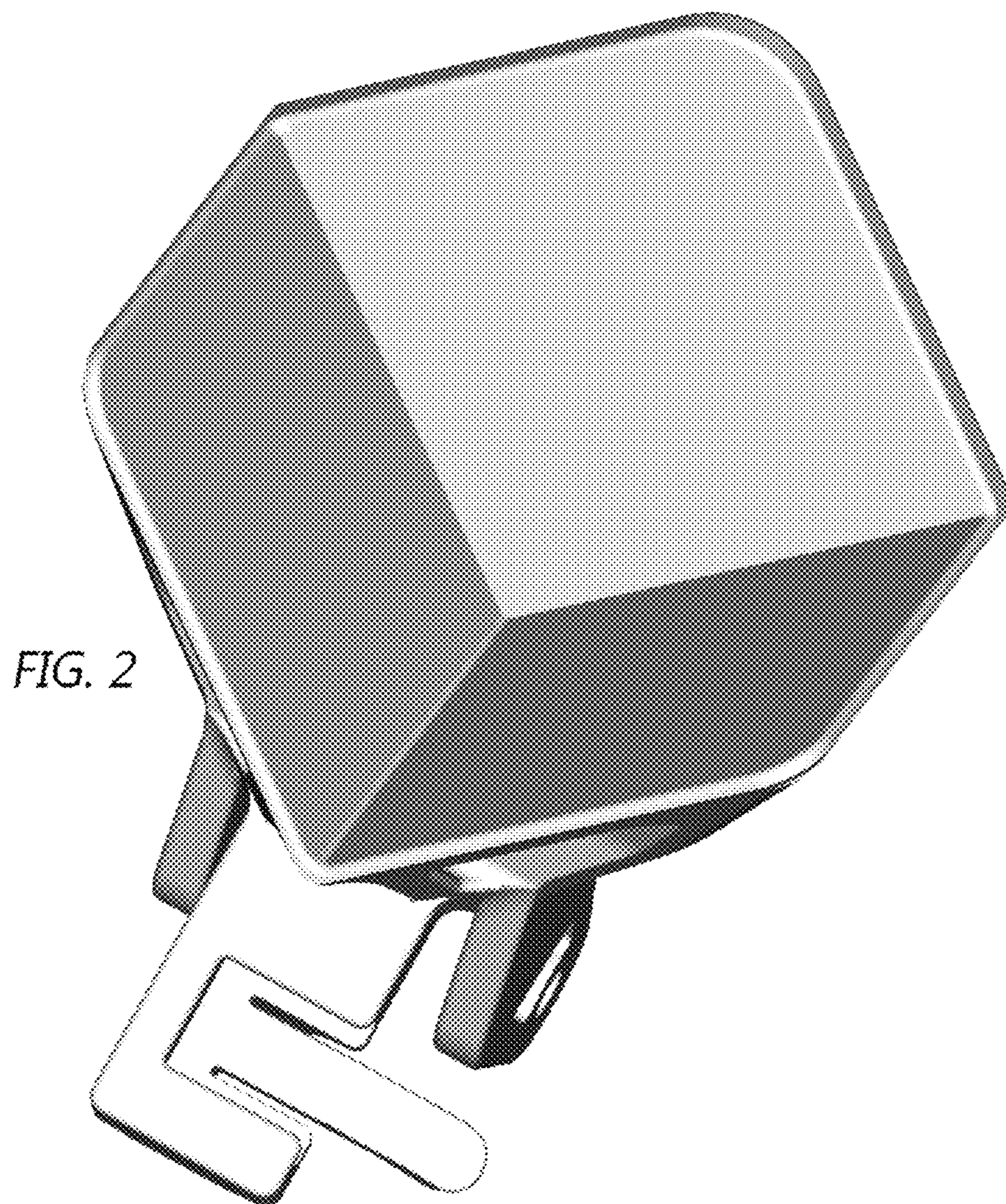


FIG. 2

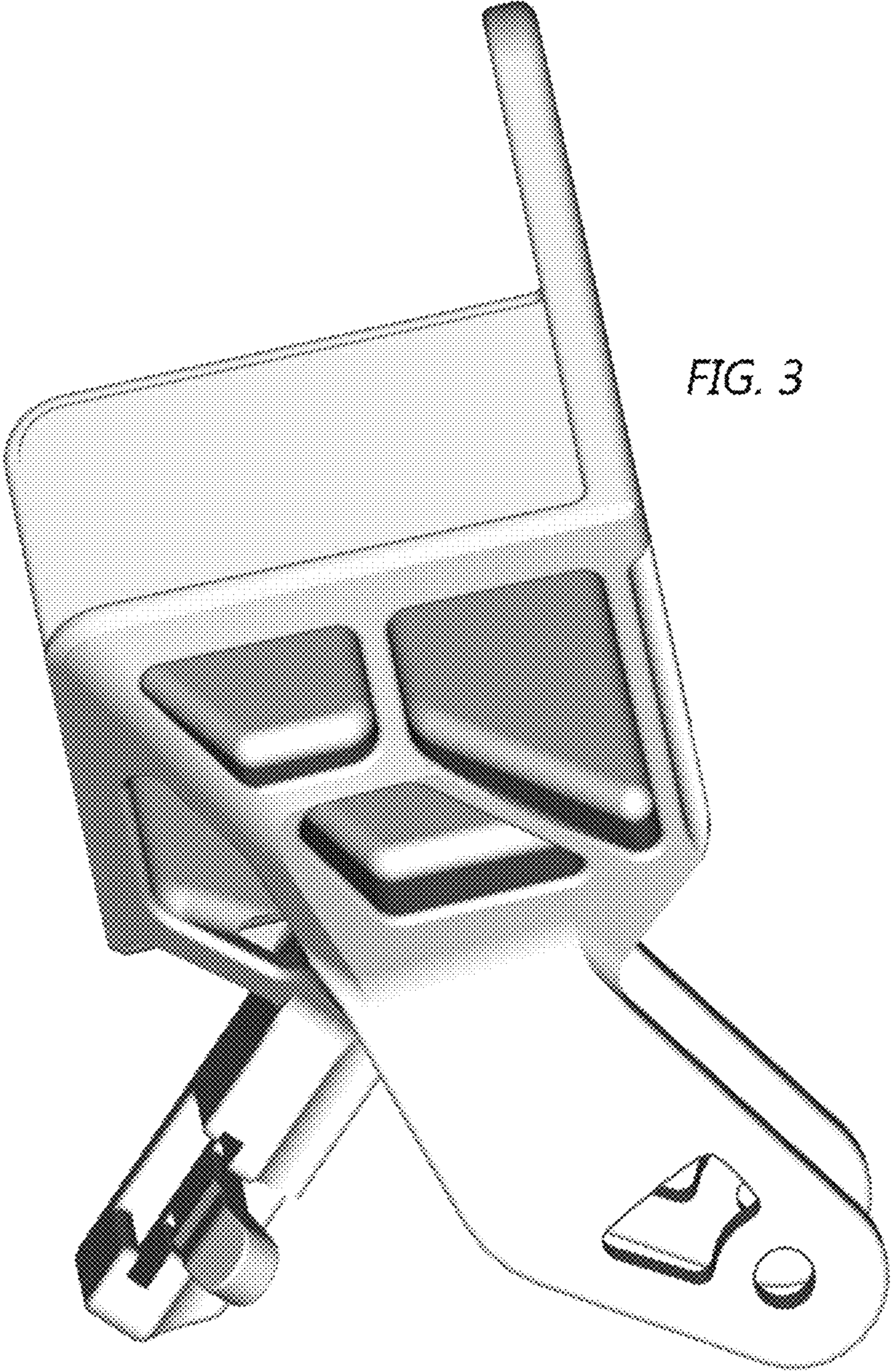


FIG. 3

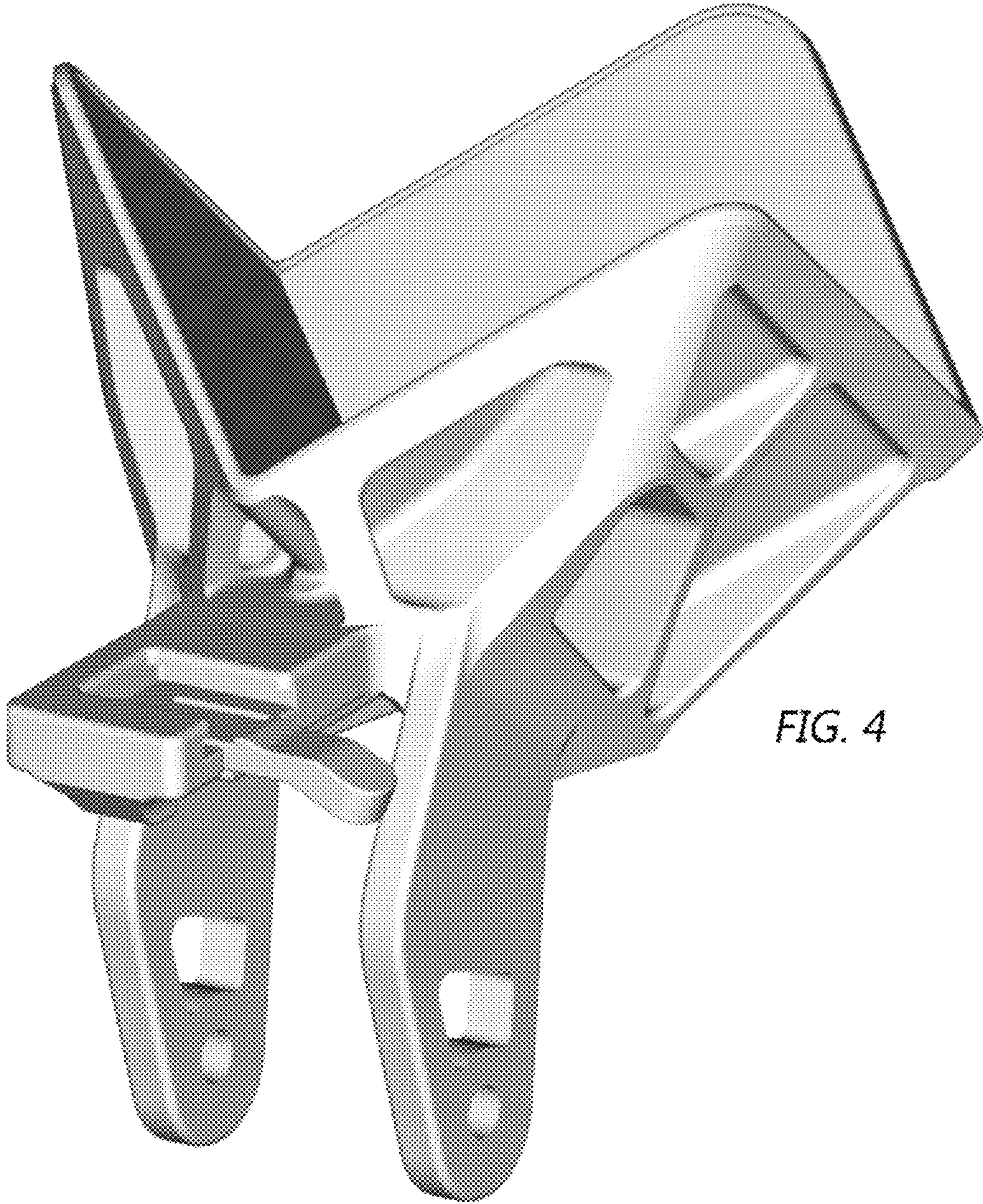


FIG. 4

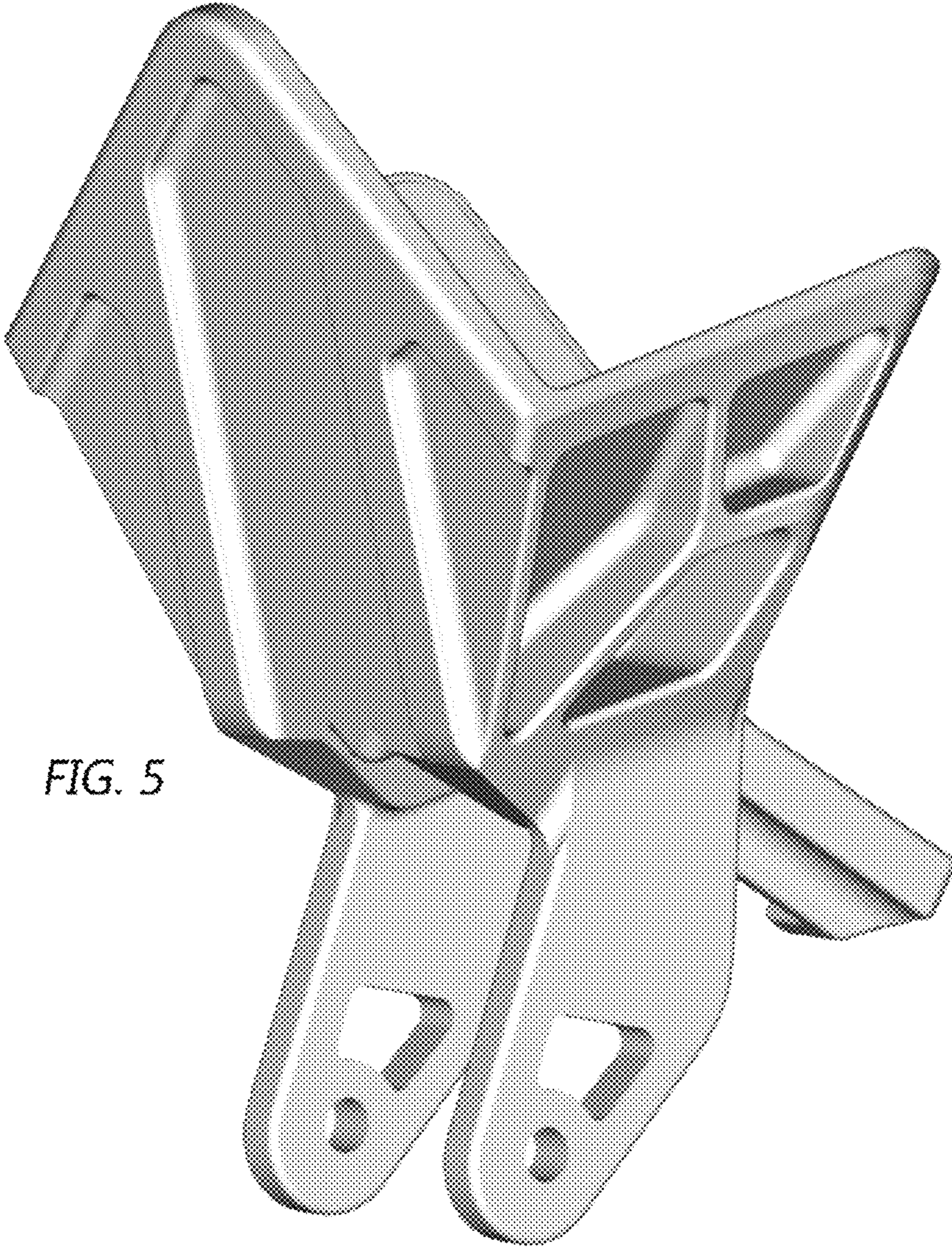


FIG. 5

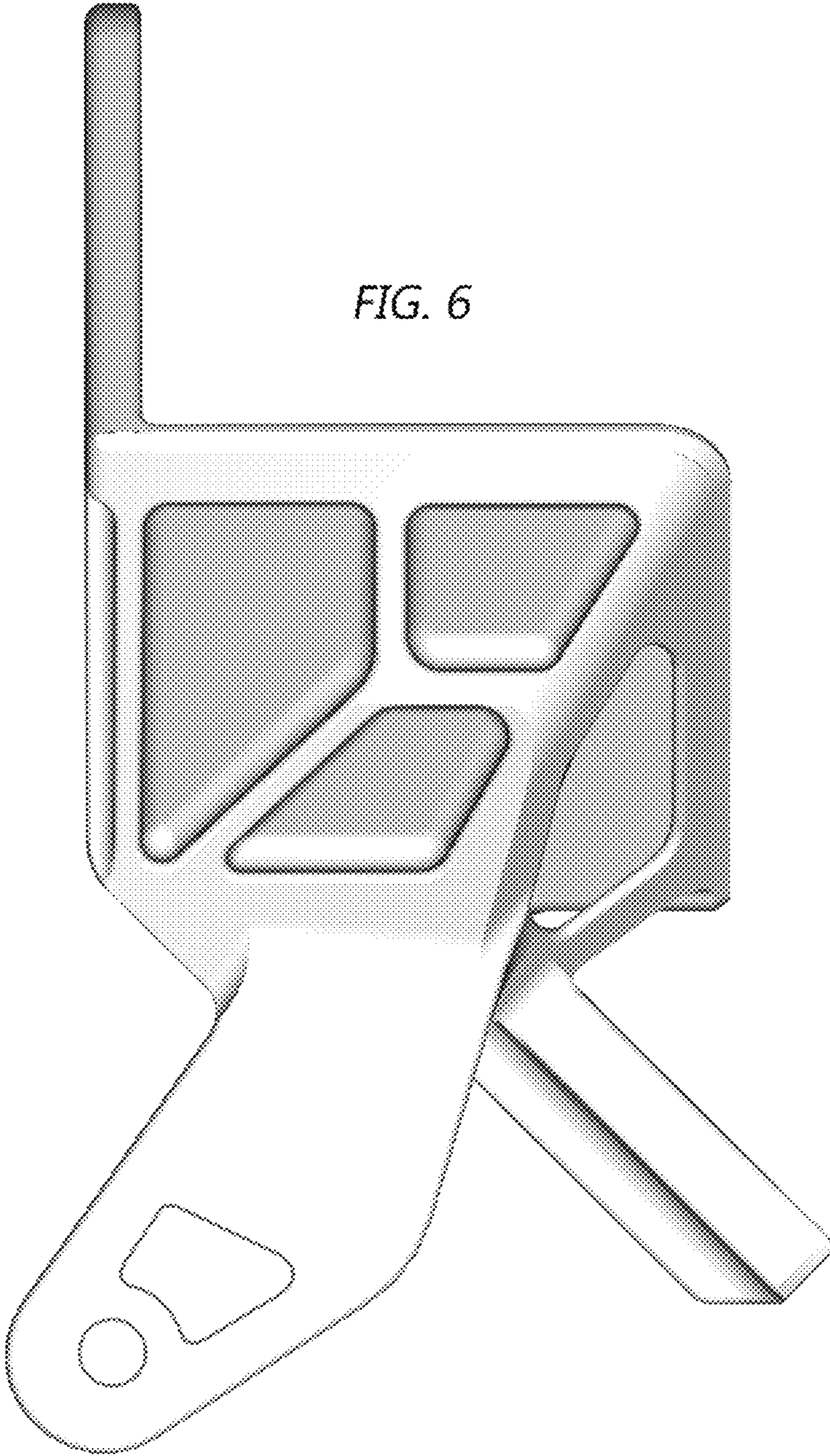


FIG. 6

FIG. 7

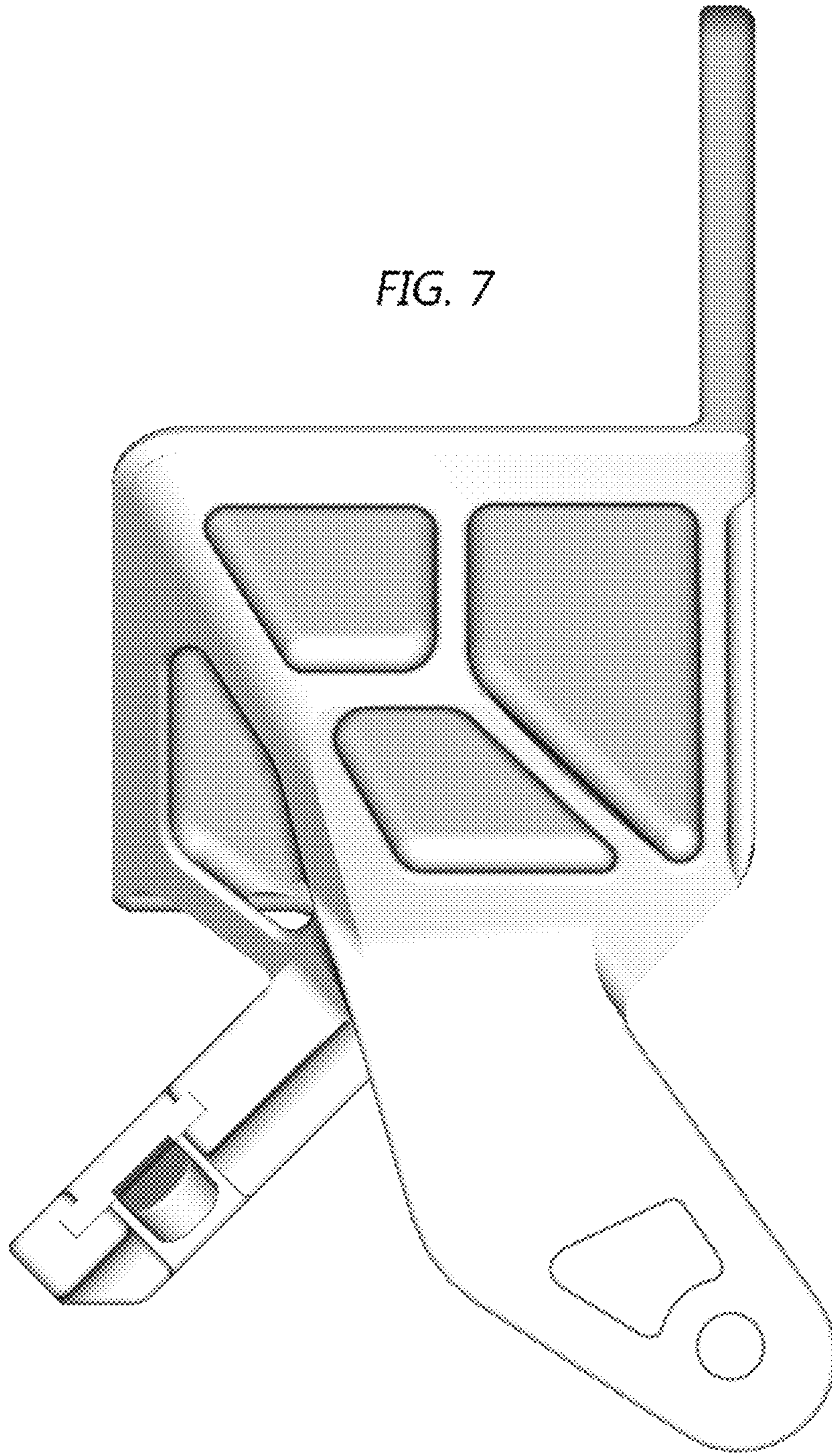




FIG. 8

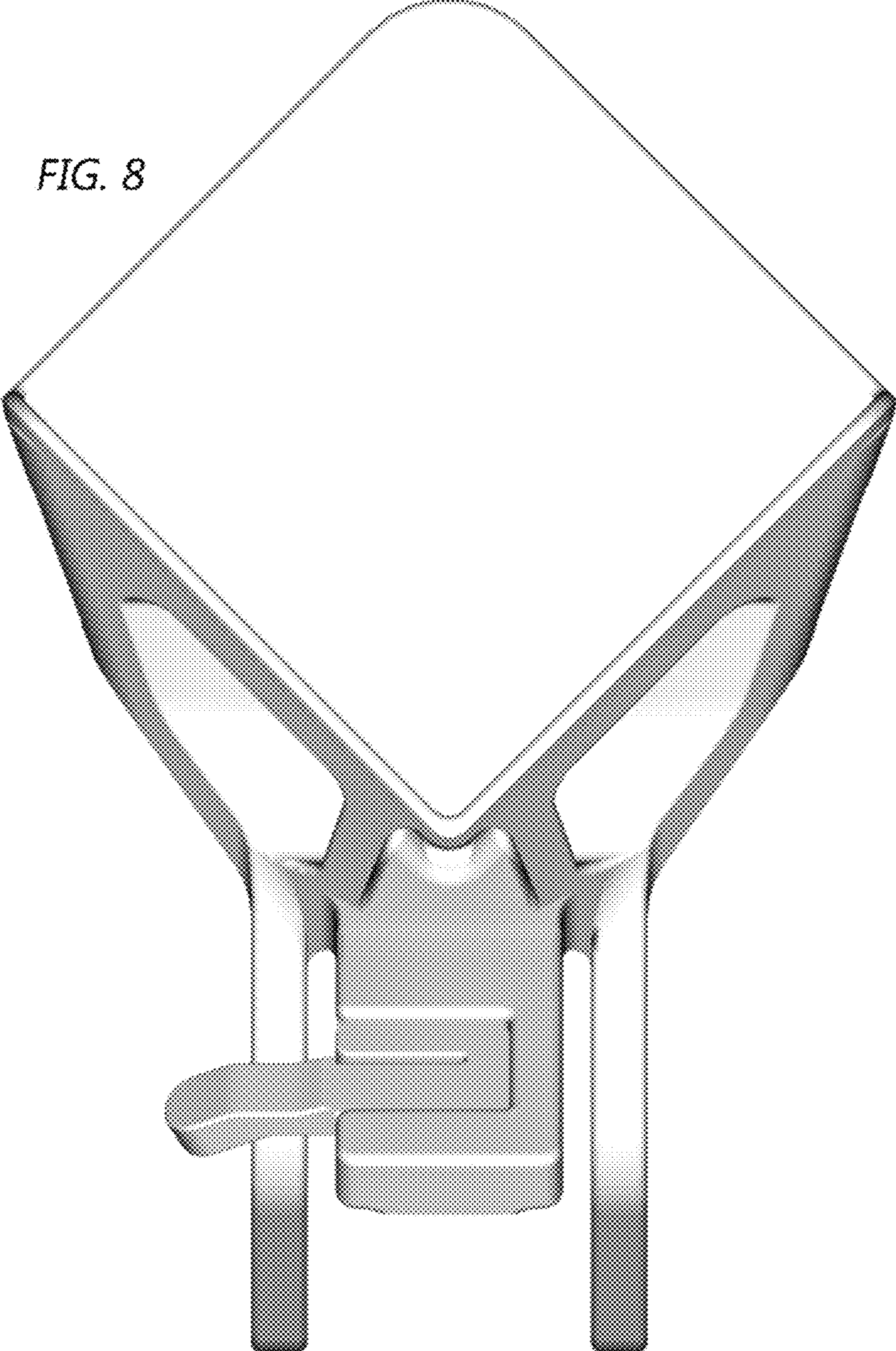
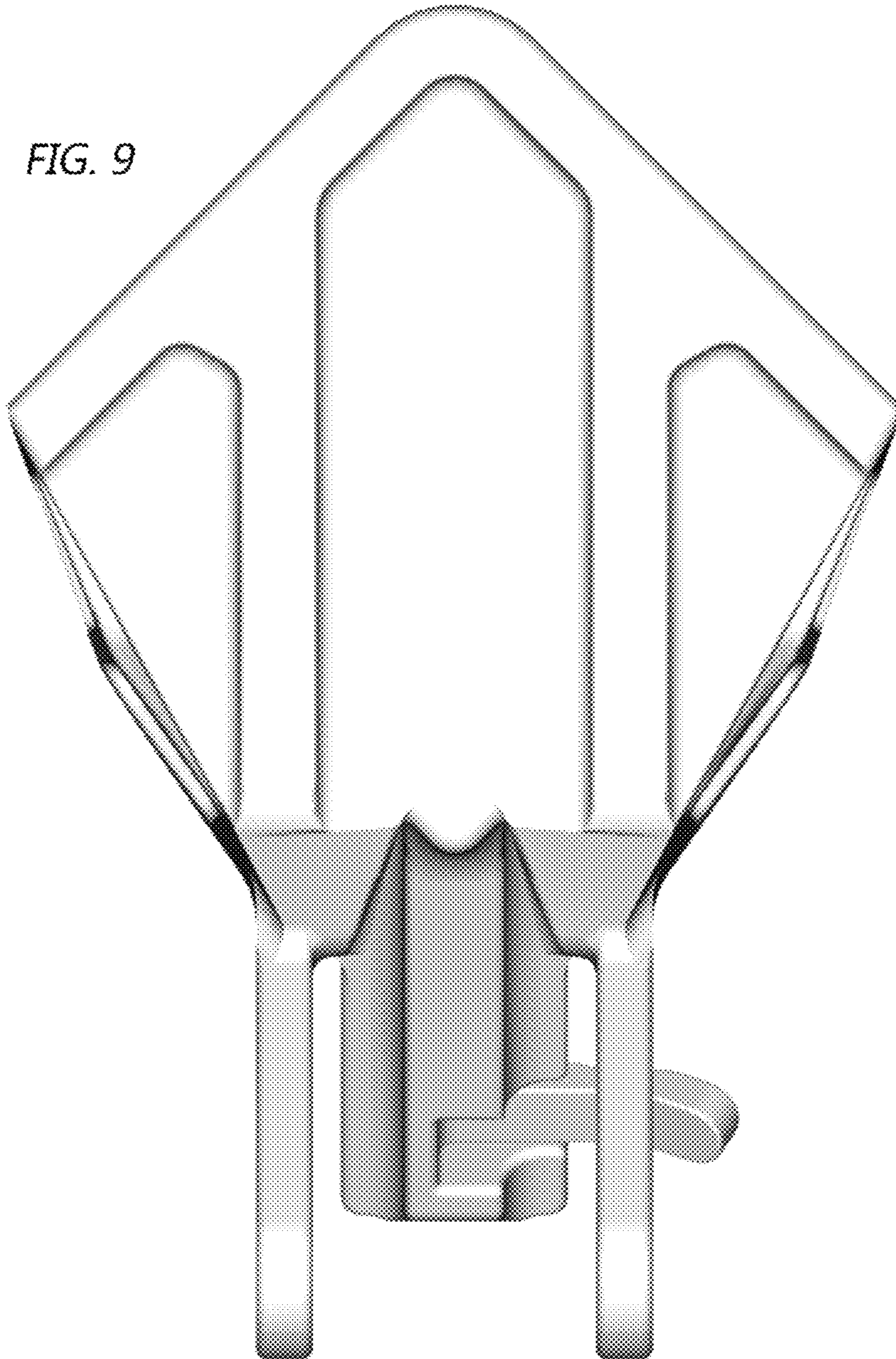


FIG. 9



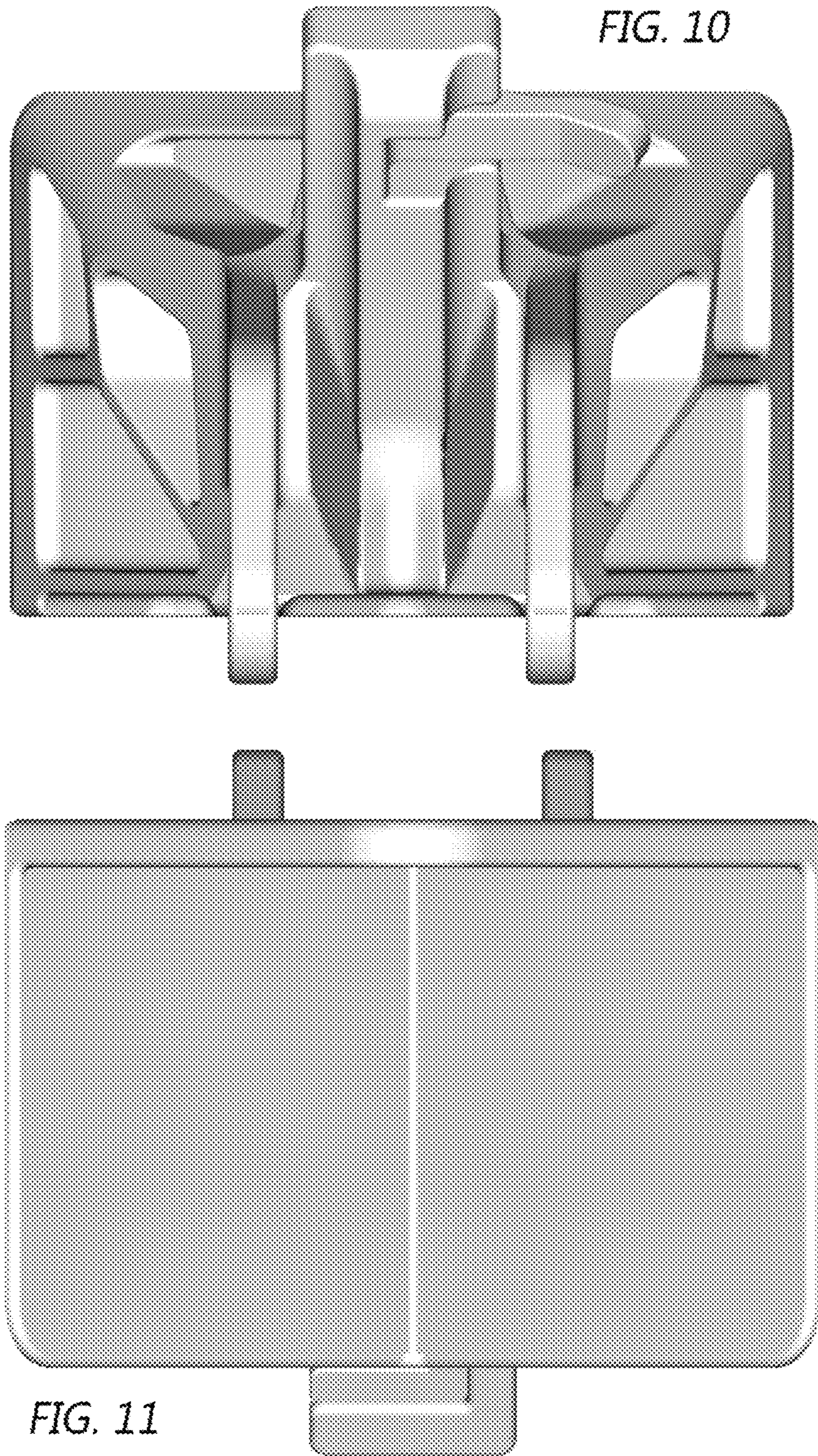


FIG. 10

FIG. 11