



US0D1053698S

(12) **United States Design Patent**
Diehl

(10) **Patent No.: US D1,053,698 S**

(45) **Date of Patent: ** Dec. 10, 2024**

(54) **SPACER BRACKET**

(71) Applicant: **VOIDFORM PRODUCTS, LLC,**
Englewood, CO (US)

(72) Inventor: **Todd Diehl,** Mansfield, TX (US)

(73) Assignee: **VoidForm Products, LLC,** Englewood,
CO (US)

(**) Term: **15 Years**

(21) Appl. No.: **29/743,095**

(22) Filed: **Jul. 17, 2020**

(51) **LOC (14) Cl.** **08-05**

(52) **U.S. Cl.**
USPC **D8/354**

(58) **Field of Classification Search**
USPC D8/45, 47, 51, 55, 349, 354
CPC E04B 1/68; E04F 19/06
See application file for complete search history.

(56) **References Cited**

U.S. PATENT DOCUMENTS

- D295,258 S * 4/1988 Niwa 174/138 D
- D295,368 S * 4/1988 Niwa 174/138 D
- D295,369 S * 4/1988 Niwa 24/453
- D623,045 S * 9/2010 Moncade D8/354
- 8,683,751 B2 * 4/2014 Stearns E04D 13/10
52/173.1
- D903,470 S * 12/2020 Byer D8/354

- D942,252 S * 2/2022 Yu D8/373
- D977,947 S * 2/2023 Morris, II D8/354
- D1,019,344 S * 3/2024 Ricetti D8/354

OTHER PUBLICATIONS

Examination Report dated Jun. 14, 2022, in connection with Canadian Application No. 201146, 1 page.

* cited by examiner

Primary Examiner — Keli L Hill

Assistant Examiner — Harold E Blackwell, II

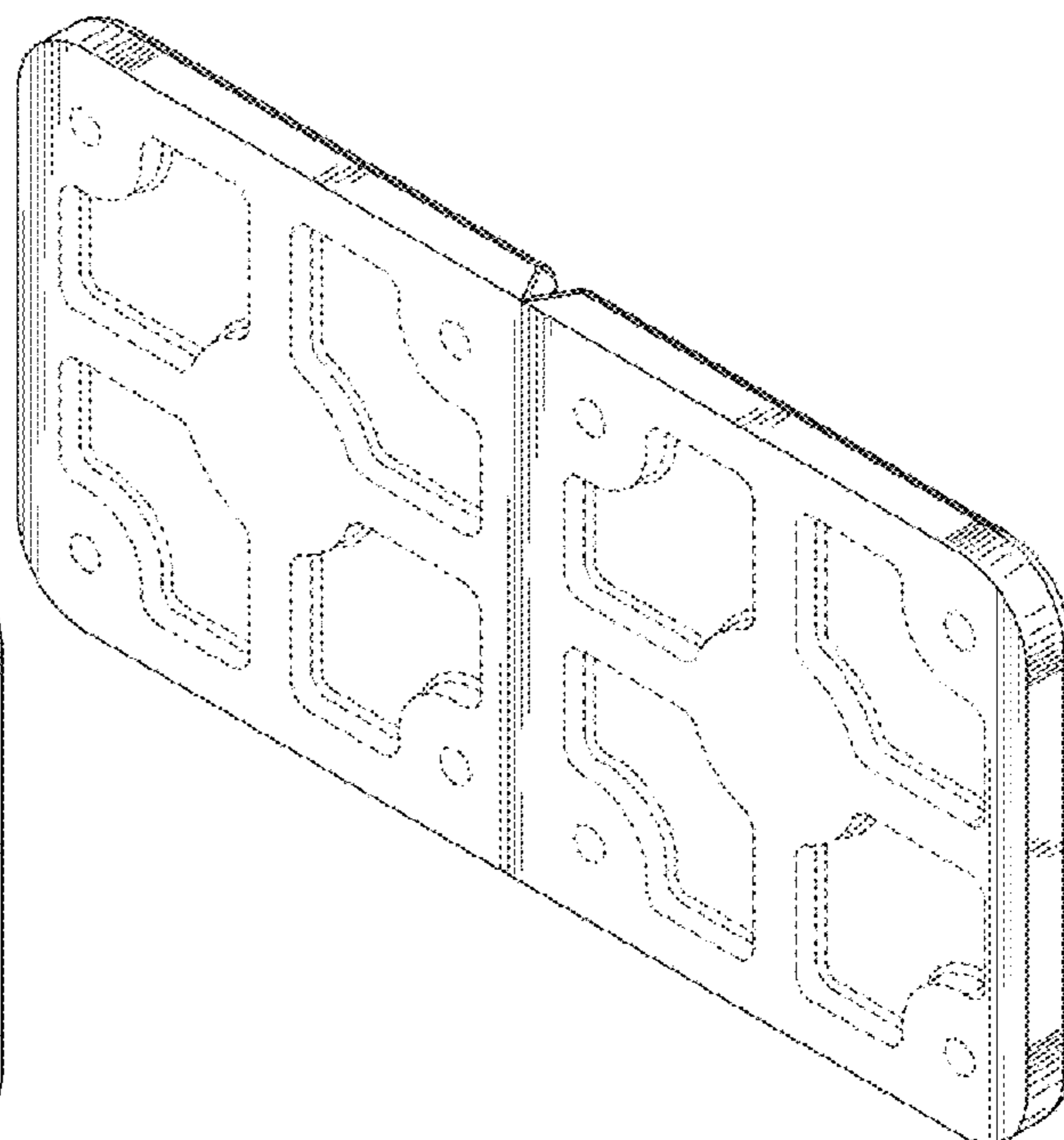
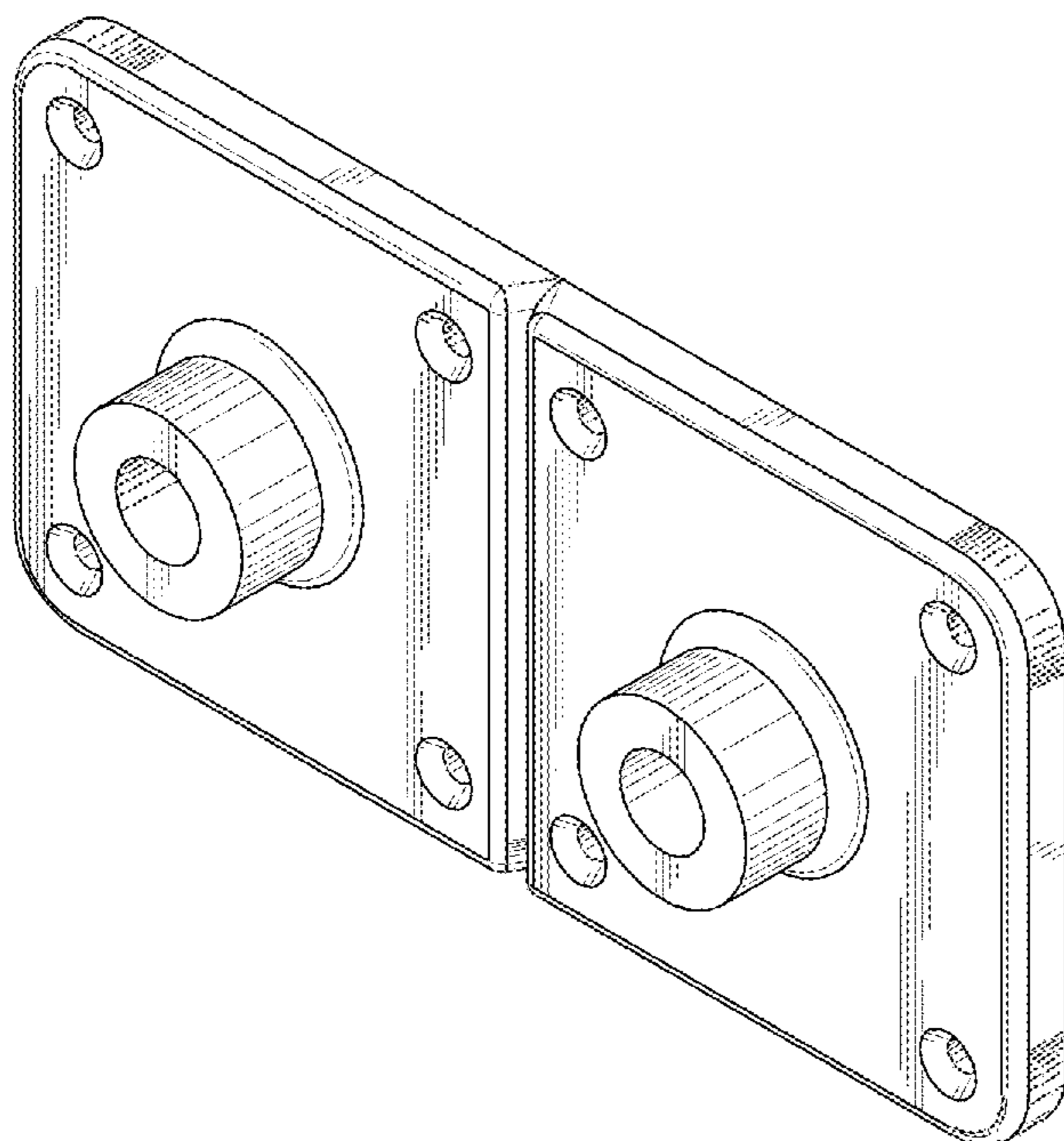
(57) **CLAIM**

The ornamental design for a spacer bracket, as shown and described.

DESCRIPTION

FIG. 1 is an isometric view of the top of the spacer bracket, showing my new design;
 FIG. 2 is an isometric view of the bottom of the spacer bracket thereof;
 FIG. 3 is a top plan view of the spacer bracket thereof;
 FIG. 4 is a bottom plan view of the spacer bracket thereof;
 FIG. 5 is a front elevational view of the spacer bracket thereof, the back elevational view being a mirror image; and,
 FIG. 6 is a left side elevational view of the spacer bracket thereof, the right side elevational view being a mirror image.
 The broken lines in the drawings illustrate portions of the spacer bracket which form no part of the claimed design.

1 Claim, 3 Drawing Sheets



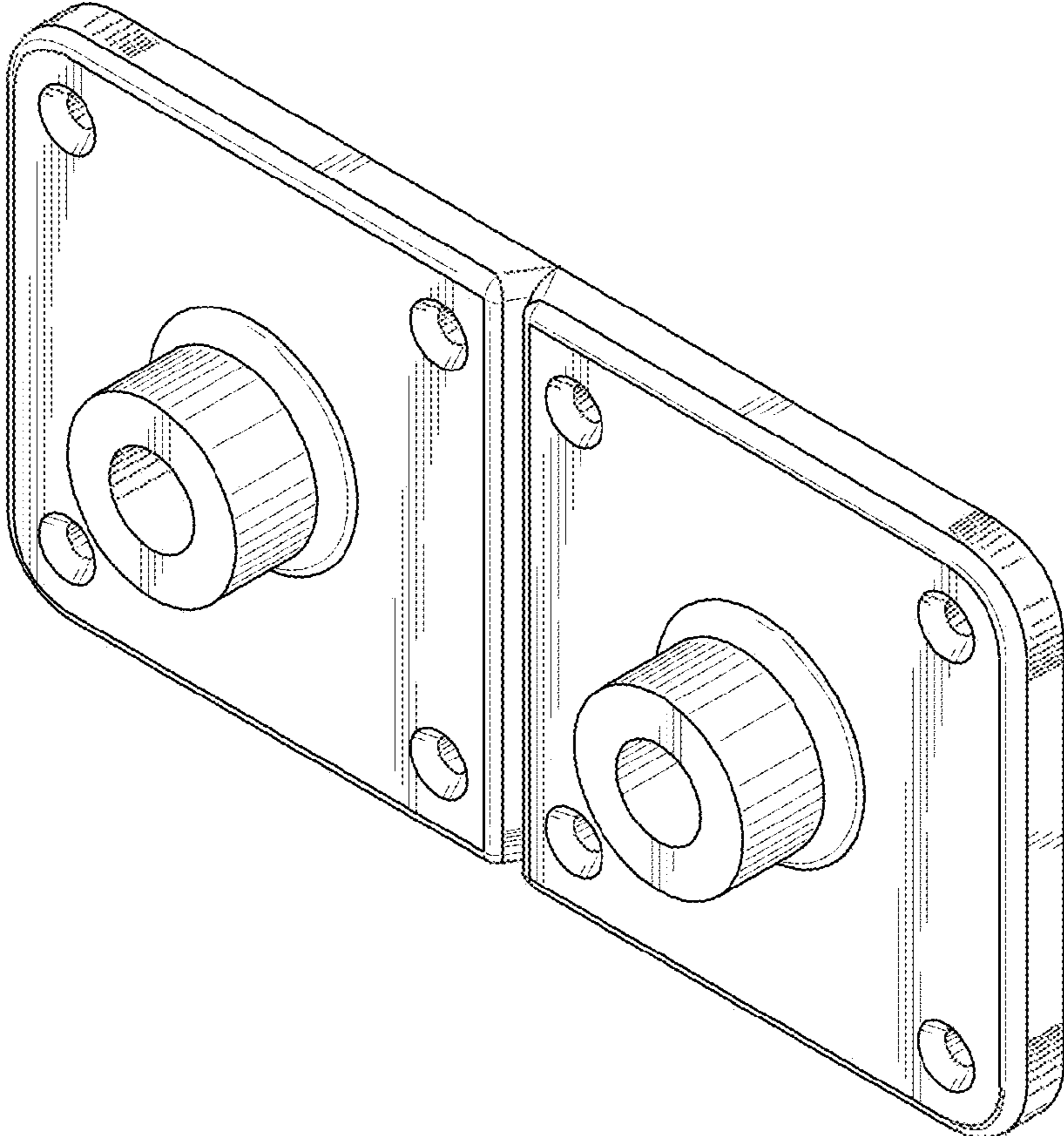


FIG. 1

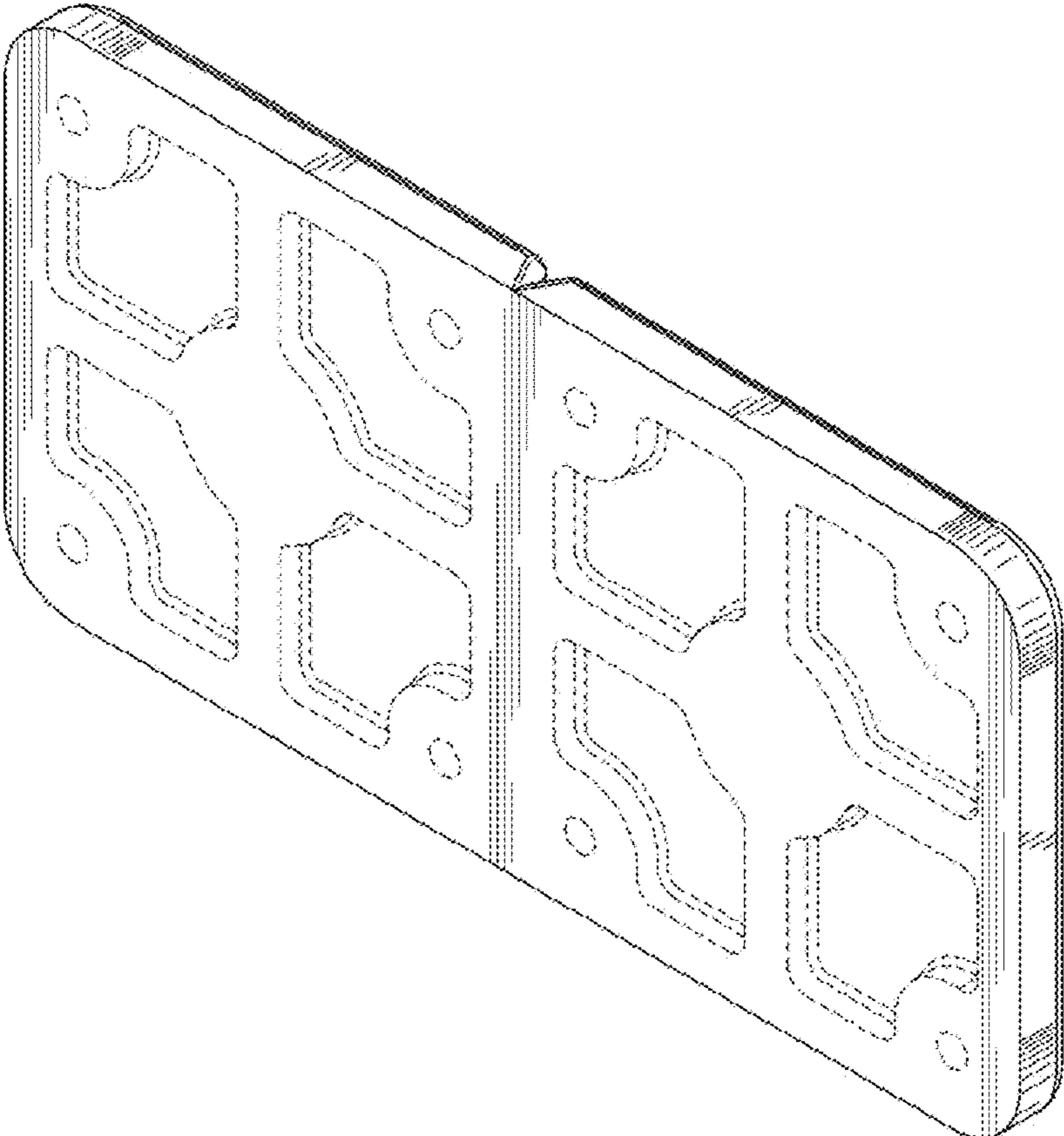


FIG. 2

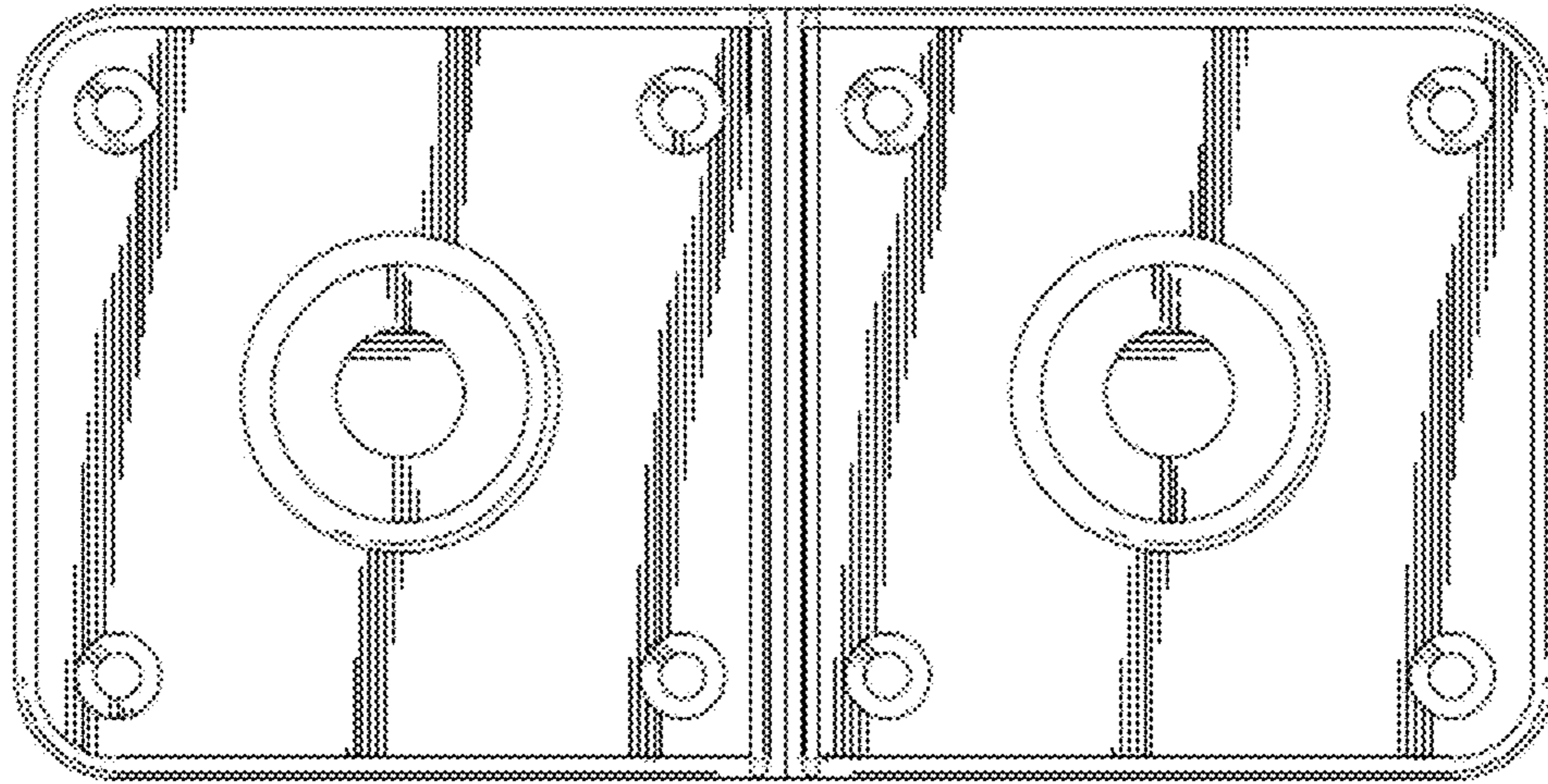


FIG. 3

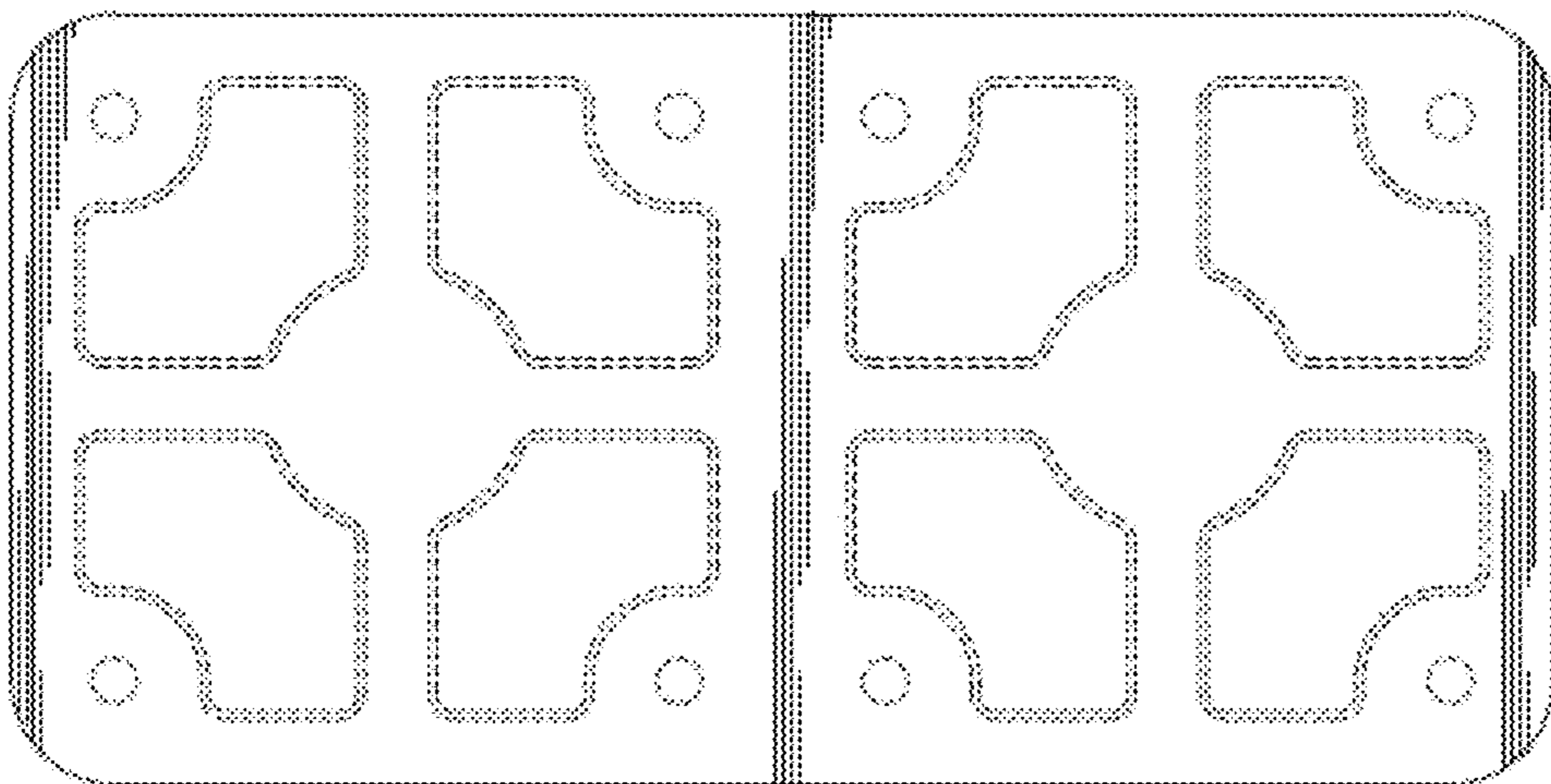


FIG. 4

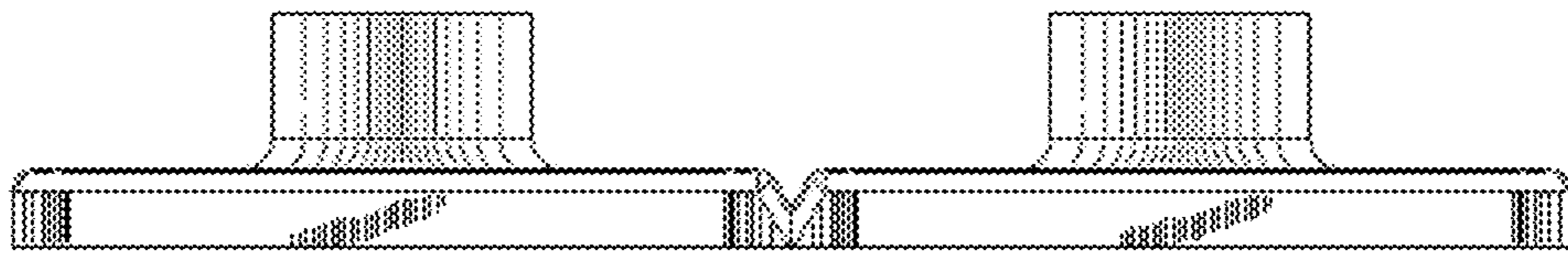


FIG. 5

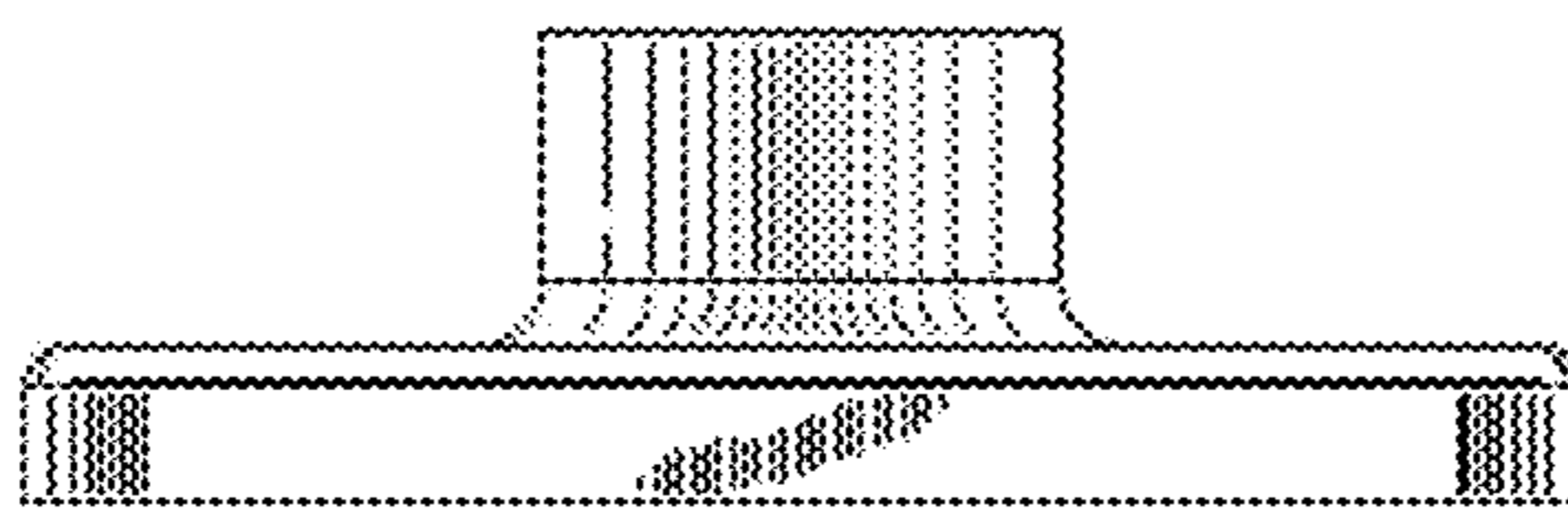


FIG. 6