



US0D1053385S

(12) **United States Design Patent**  
**Pearson et al.**

(10) **Patent No.: US D1,053,385 S**

(45) **Date of Patent: \*\* Dec. 3, 2024**

- (54) **SNOW SKIRT ASSEMBLY**
- (71) Applicant: **BLOOM ENERGY CORPORATION**,  
San Jose, CA (US)
- (72) Inventors: **Chad Joseph Pearson**, Kirkland, WA  
(US); **Carson Pirie Turner**,  
Sacramento, CA (US); **Christian Daco**,  
Fremont, CA (US)
- (73) Assignee: **BLOOM ENERGY CORPORATION**,  
San Jose, CA (US)

6,125,905 A \* 10/2000 Woodside ..... E04F 10/0625  
160/67  
8,884,452 B2 \* 11/2014 Hooper, Jr. .... F03D 9/11  
290/55  
2012/0097345 A1 \* 4/2012 Rountree ..... E04F 10/02  
160/192

\* cited by examiner

*Primary Examiner* — S. Bryan Reinholdt, Jr.

*Assistant Examiner* — Andrew D Golson

(74) *Attorney, Agent, or Firm* — THE MARBURY LAW  
GROUP PLLC

(\*\*) Term: **15 Years**

(21) Appl. No.: **29/792,364**

(22) Filed: **Mar. 25, 2022**

(51) **LOC (14) Cl.** ..... **25-02**

(52) **U.S. Cl.**  
USPC ..... **D25/58**

(58) **Field of Classification Search**  
USPC ..... D25/58, 35, 48.4  
CPC ..... B60J 3/002; E04D 13/03; E04D 13/0354;  
F24F 7/02  
See application file for complete search history.

(57) **CLAIM**

The ornamental design for a snow skirt assembly as shown  
and described.

**DESCRIPTION**

FIG. 1 is a perspective view of the snow skirt assembly  
according to our new design shown in an assembled con-  
figuration with environmental subject matter.

FIG. 2 is a right-side view thereof.

FIG. 3 is a bottom perspective view of the upper part of the  
snow skirt assembly of FIG. 1.

FIG. 4 is a back side view thereof.

FIG. 5 is a front side view thereof.

FIG. 6 is a left side view thereof.

FIG. 7 is a right side view thereof.

FIG. 8 is a top thereof.

FIG. 9 is a bottom view thereof.

FIG. 10 is a bottom perspective view of the lower part of the  
snow skirt assembly of FIG. 1.

FIG. 11 is a back side view thereof.

FIG. 12 is a front side view thereof.

FIG. 13 is a left side view thereof.

FIG. 14 is a right side view thereof.

FIG. 15 is a top view thereof; and,

FIG. 16 is a bottom view thereof.

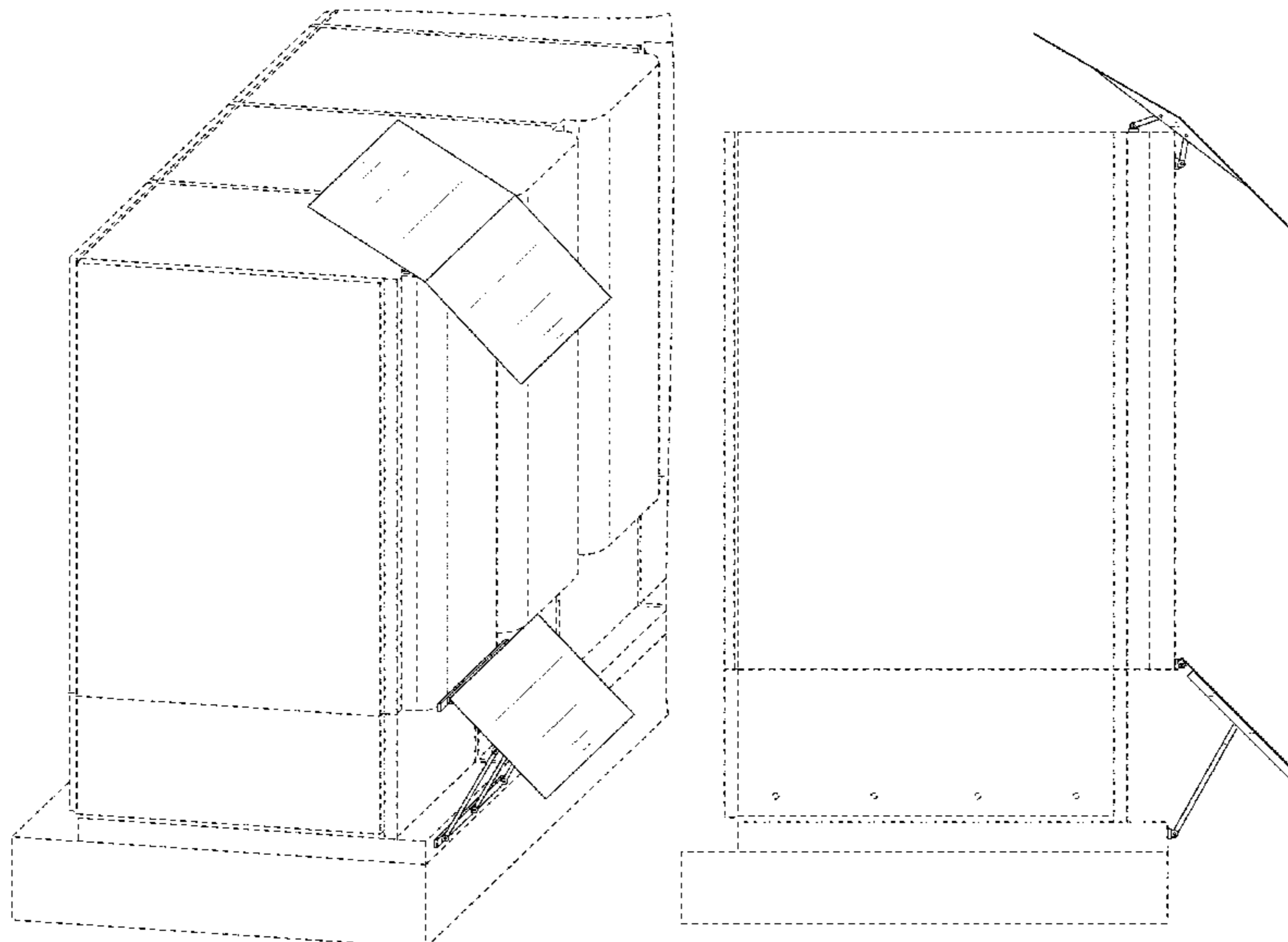
The broken lines representing a fuel cell module enclosure  
in FIGS. 1 and 2 depict environmental subject matter that  
forms no part of the claim design.

(56) **References Cited**

U.S. PATENT DOCUMENTS

- 188,570 A \* 3/1877 Beidler ..... A47G 5/00  
47/20.1
- 827,483 A \* 7/1906 Voorhees ..... E06B 9/54  
160/44
- 1,506,648 A \* 8/1924 Lamb ..... B60J 3/002  
296/95.1
- 3,528,196 A \* 9/1970 Luke ..... E06B 7/084  
49/62
- 3,831,319 A \* 8/1974 Warner ..... E06B 9/24  
52/203
- 4,738,053 A \* 4/1988 Biesenthal ..... E06B 9/52  
49/70

**1 Claim, 15 Drawing Sheets**



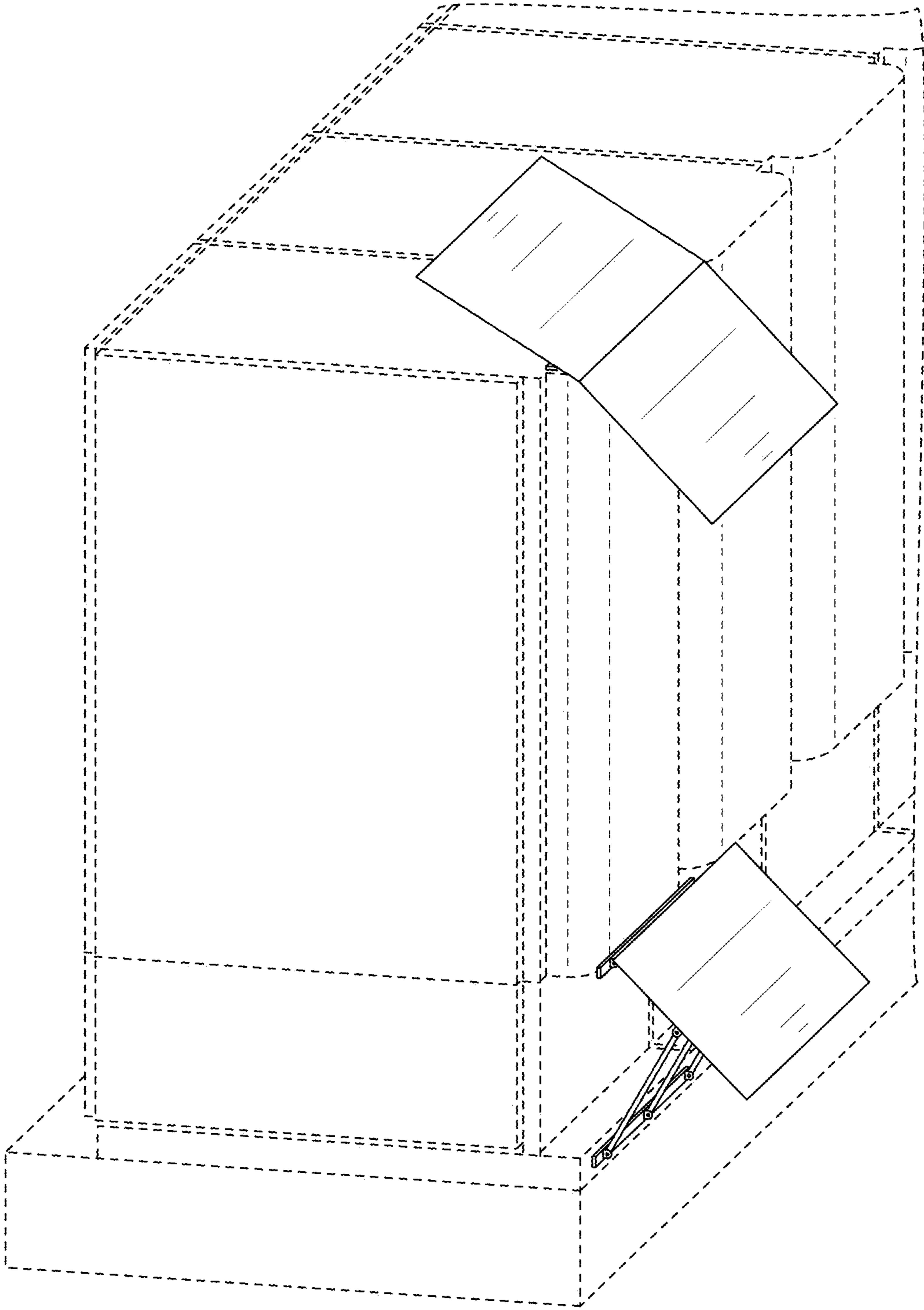


FIG. 1

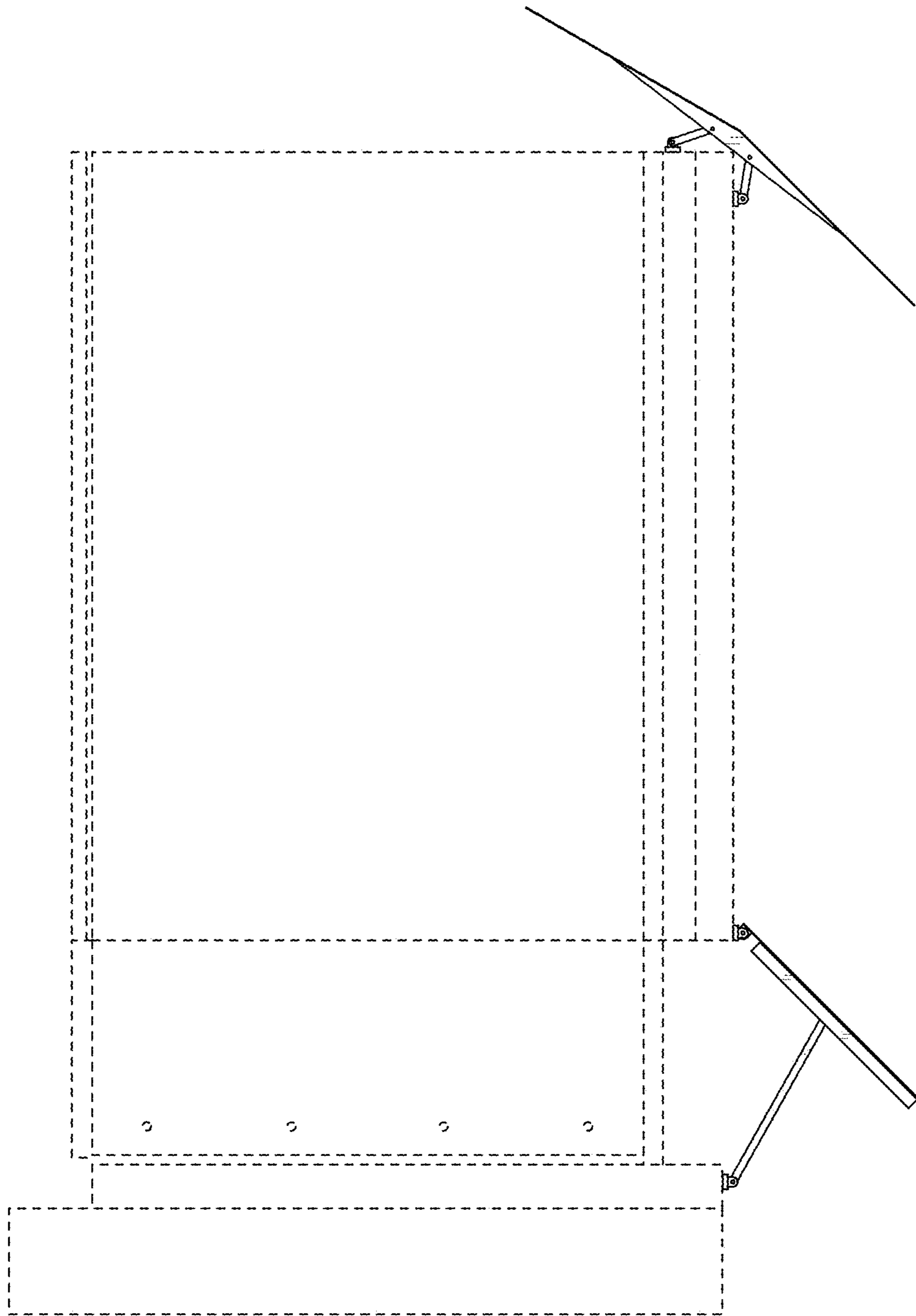


FIG. 2

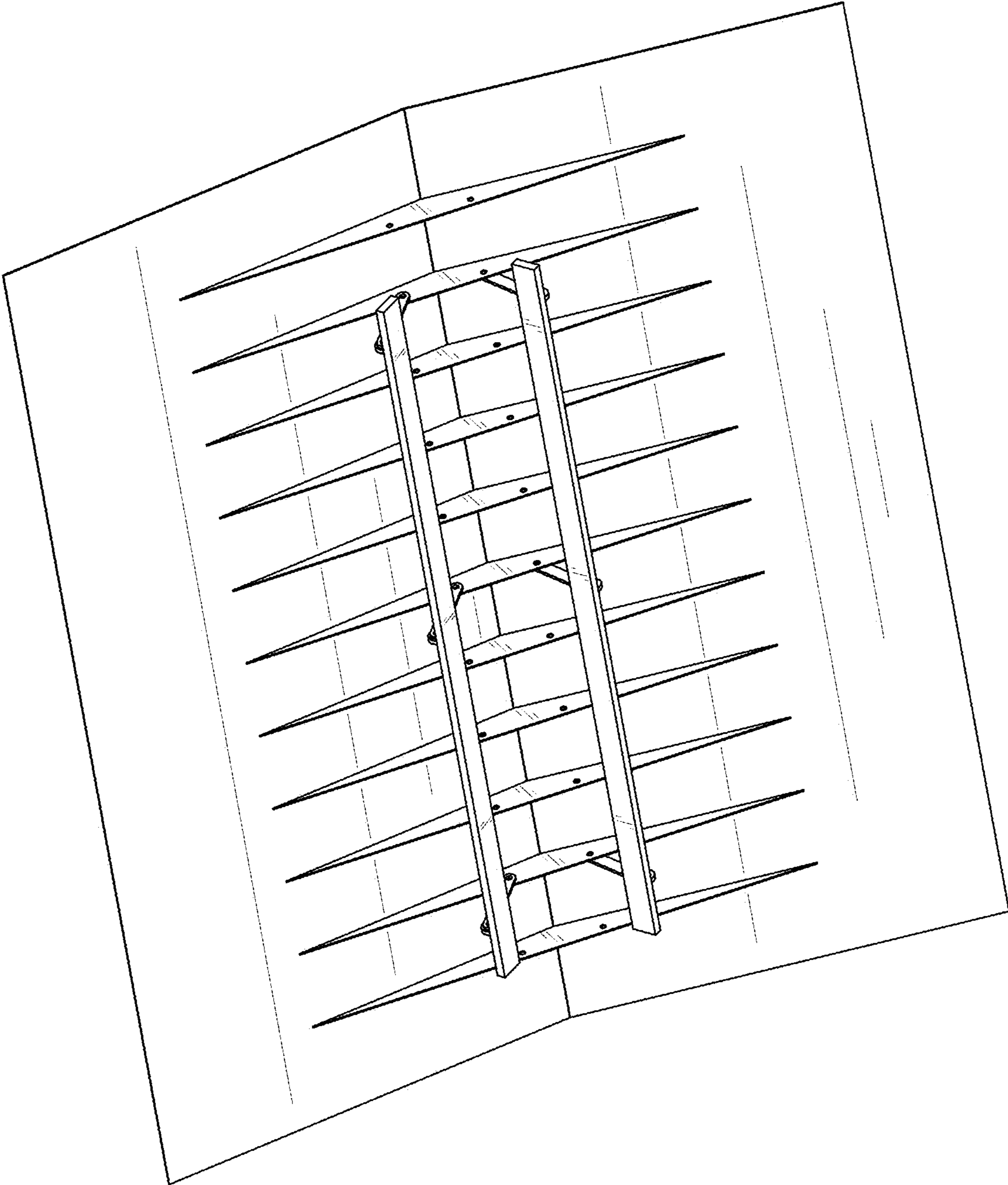


FIG. 3

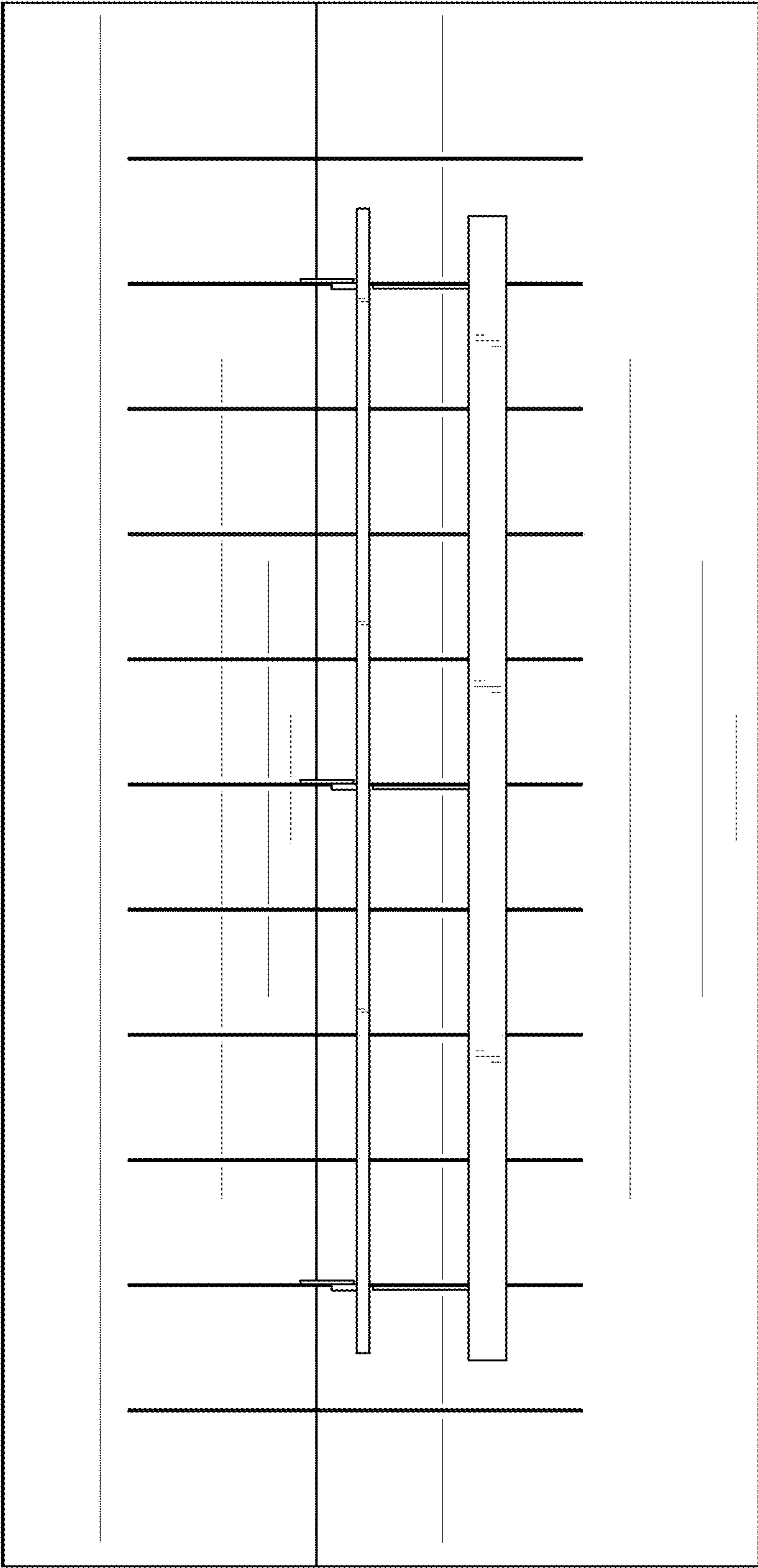


FIG. 4

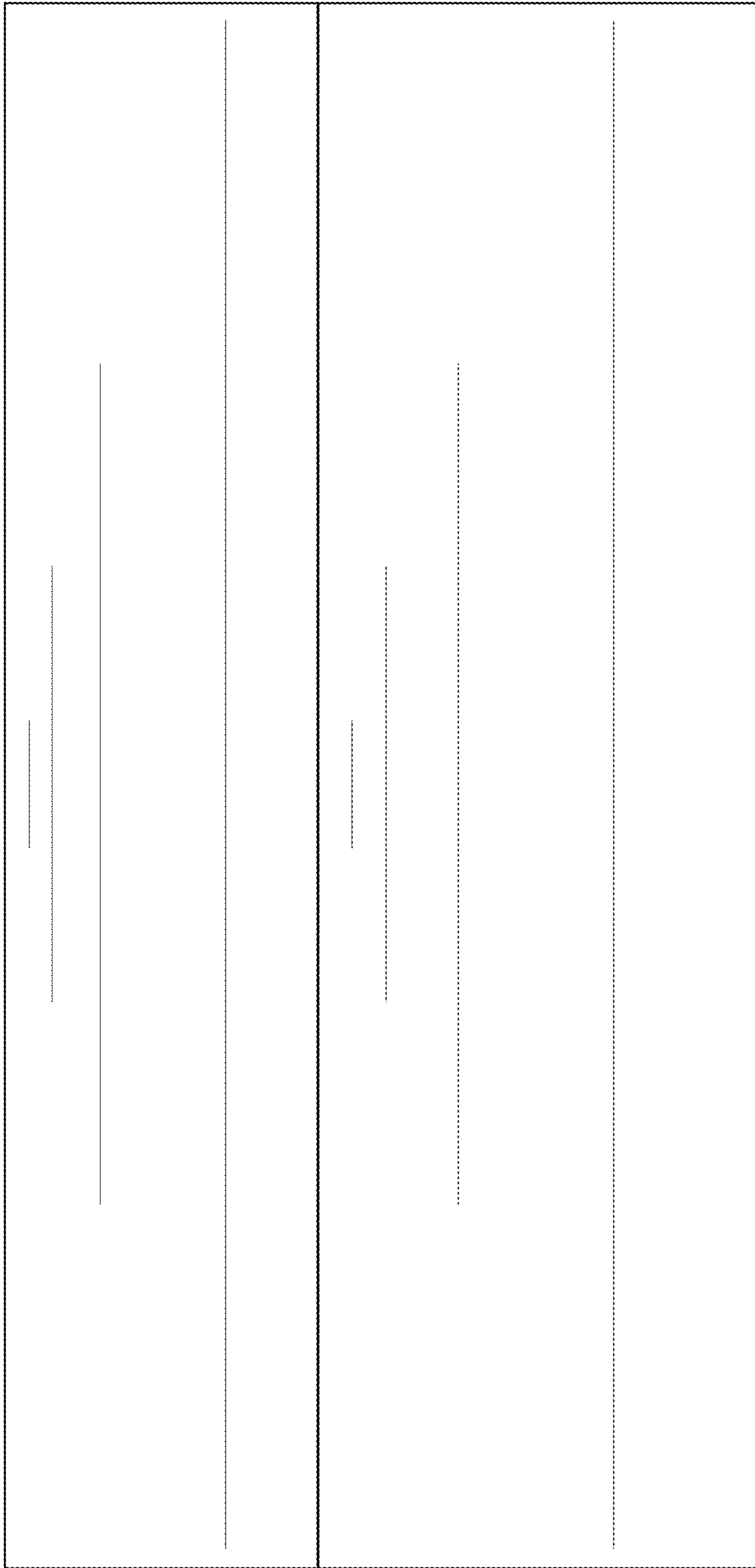


FIG. 5

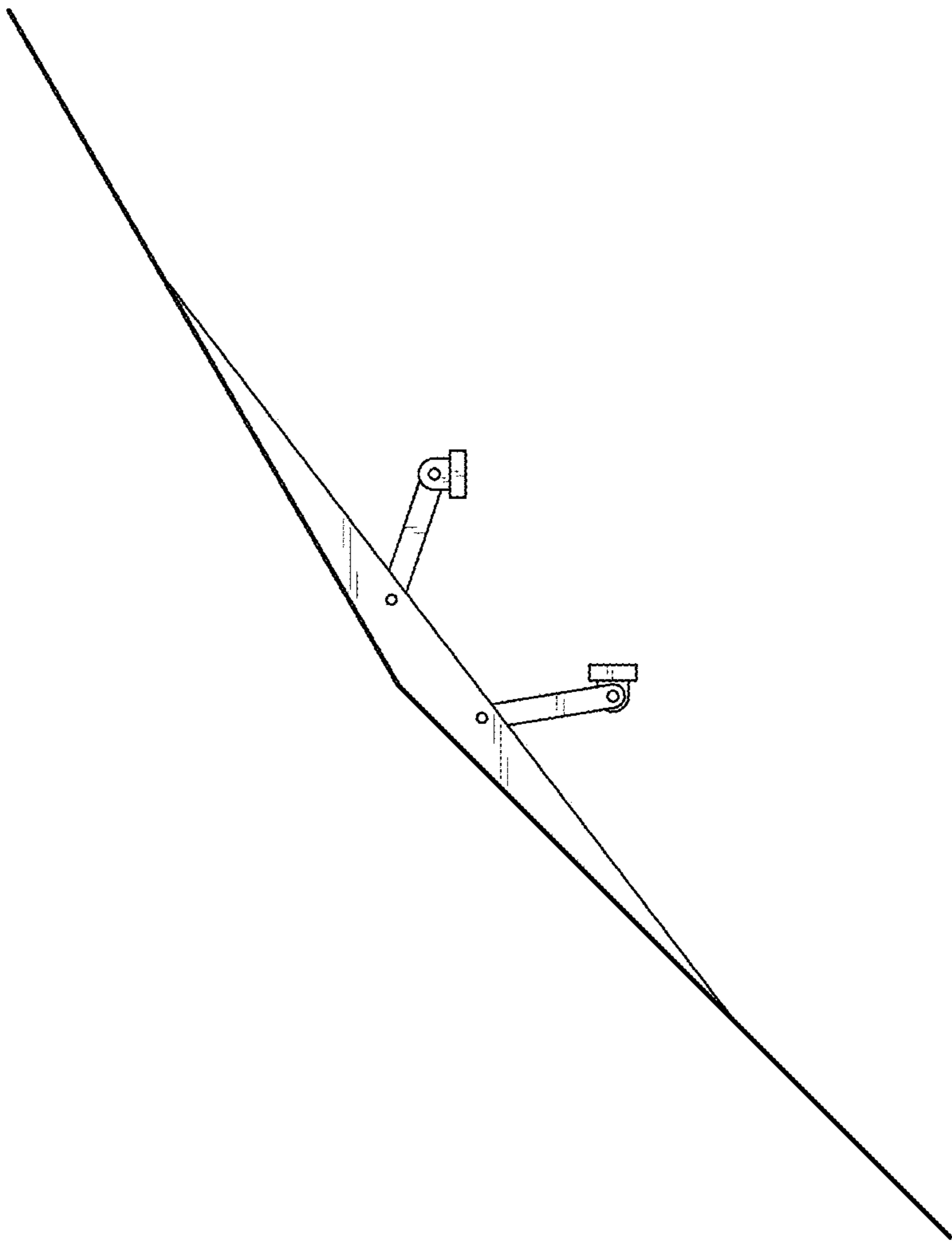


FIG. 6

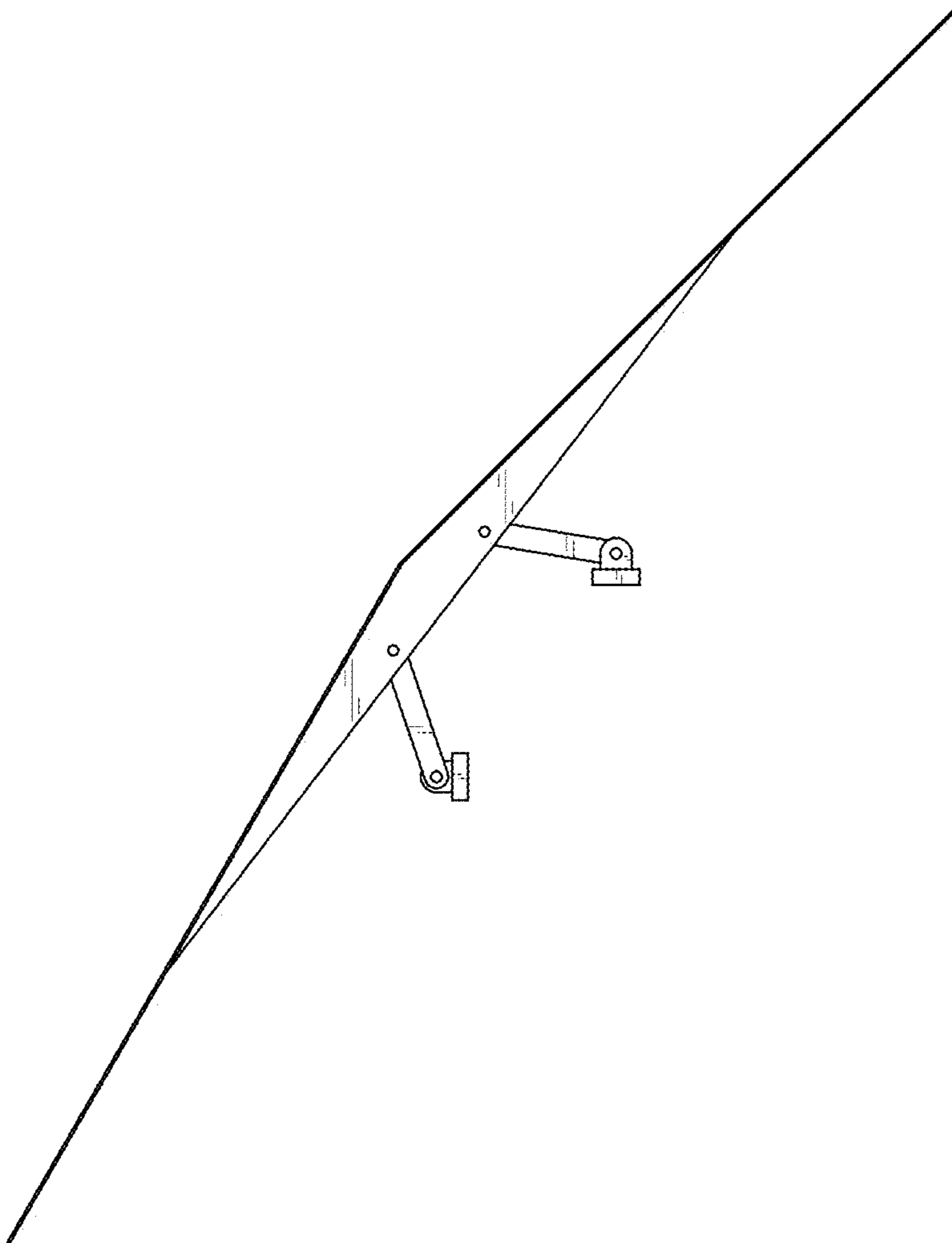


FIG. 7



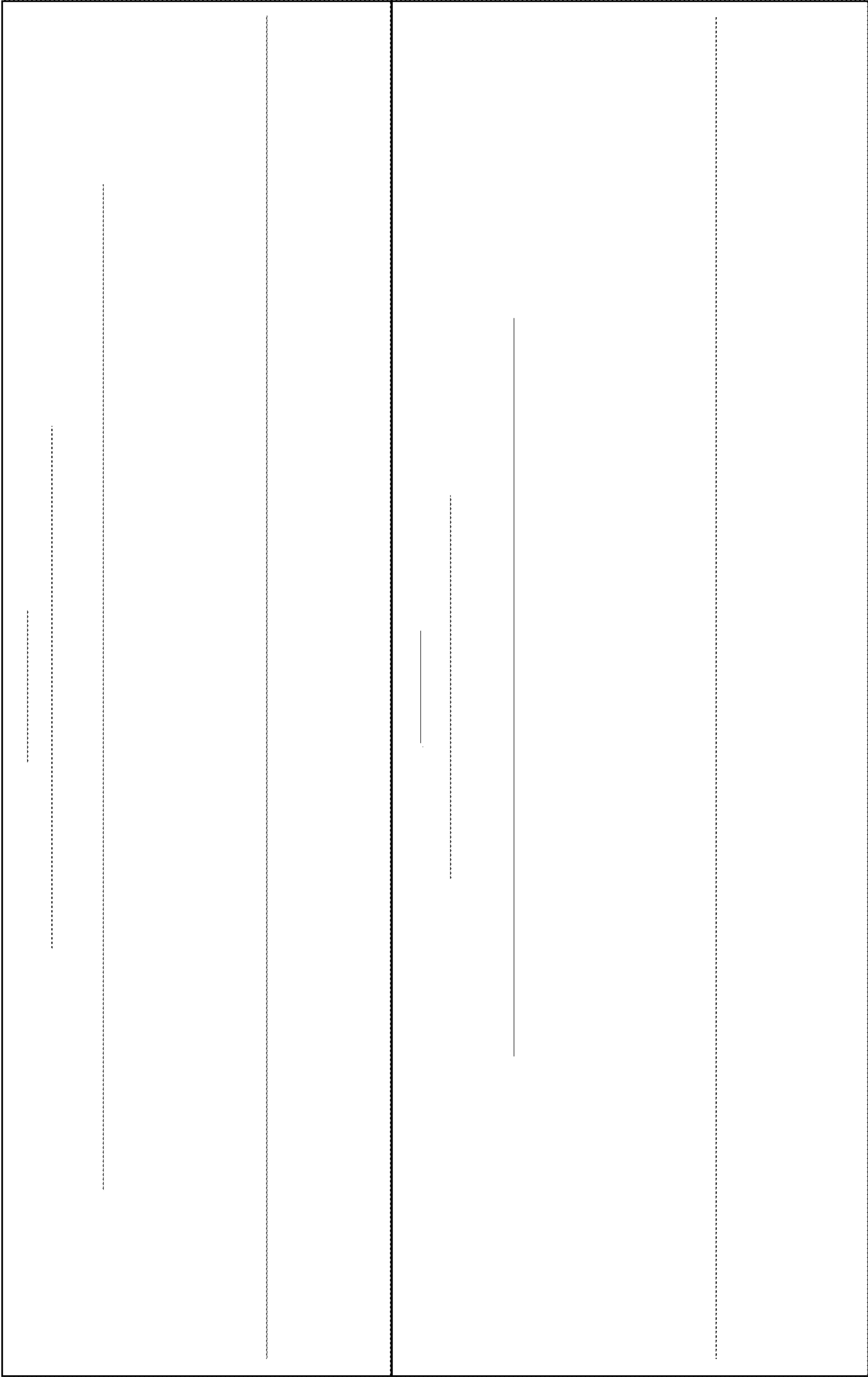


FIG. 8

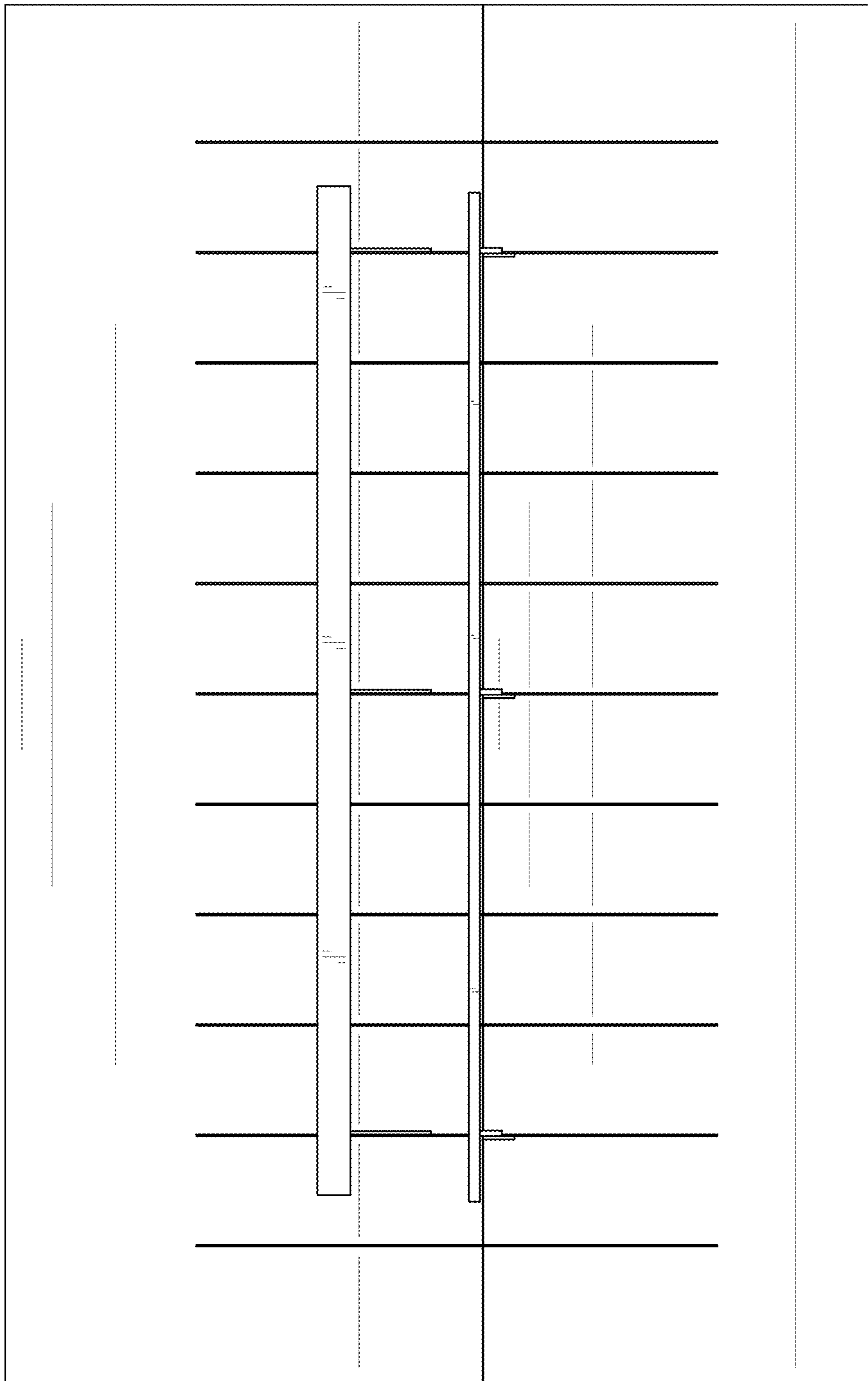


FIG. 9

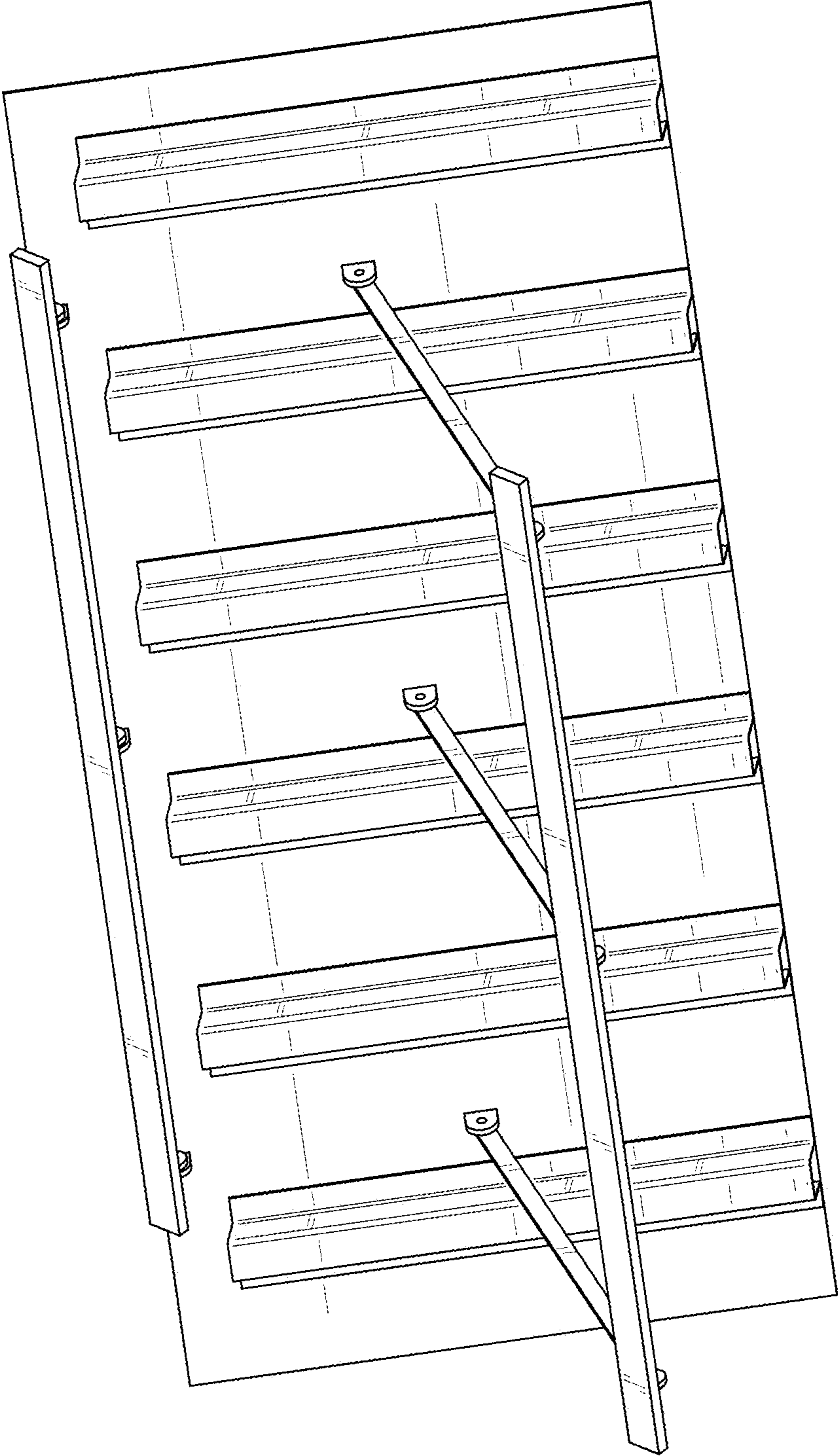


FIG. 10

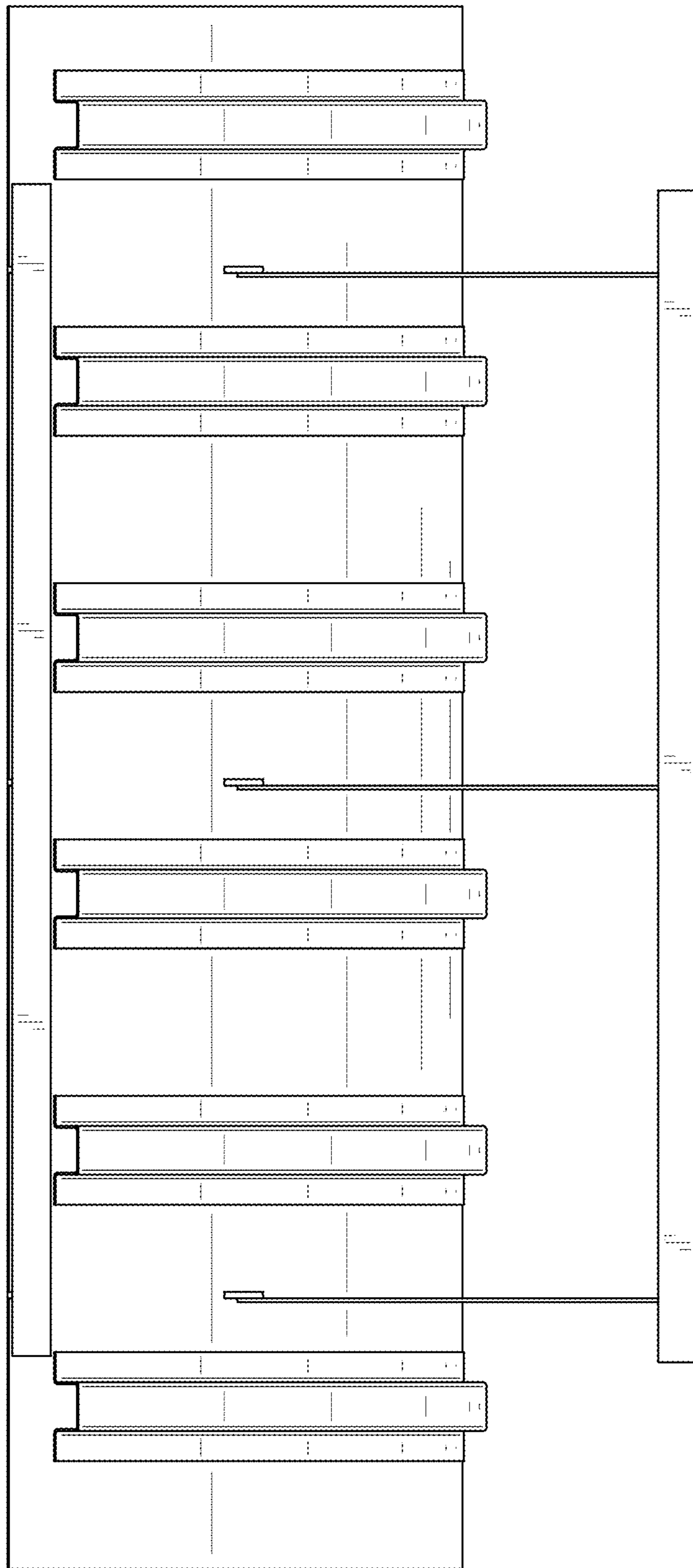


FIG. 11

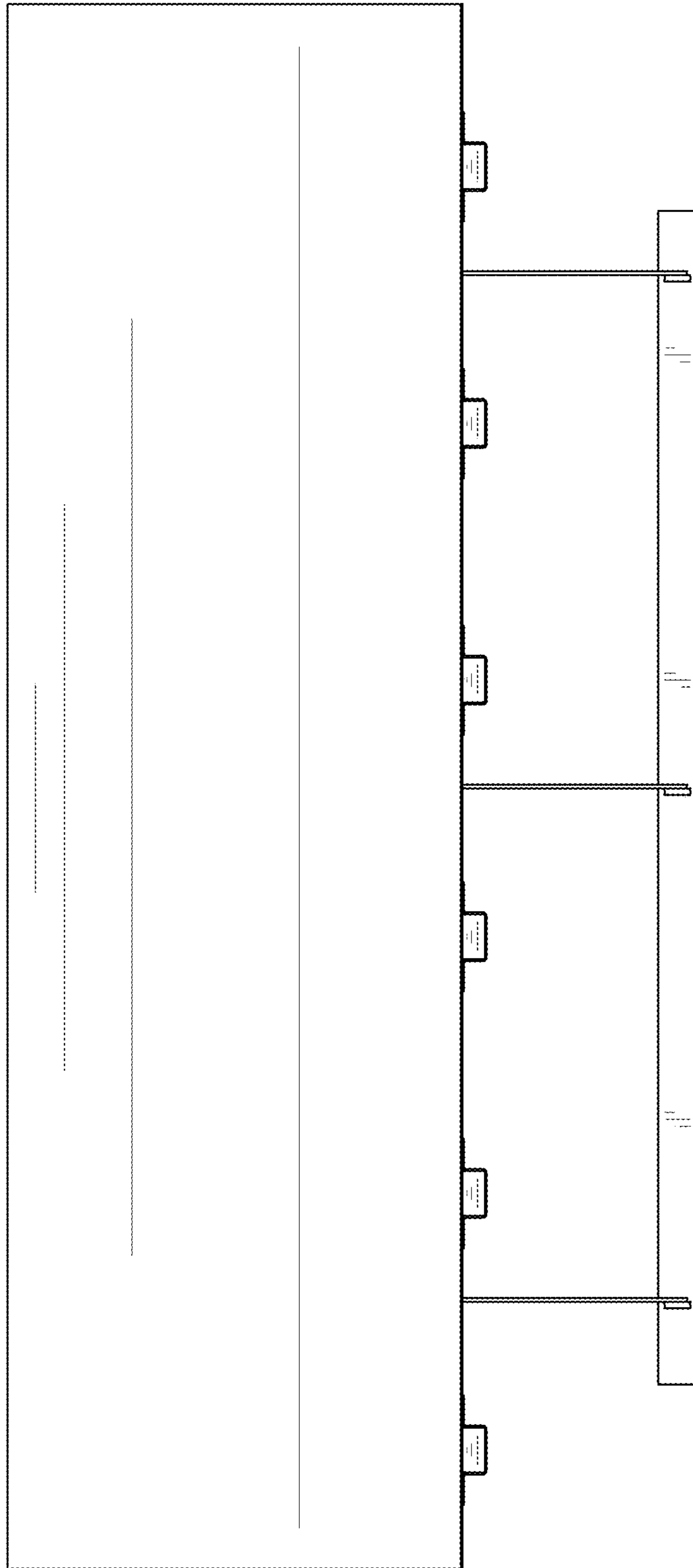


FIG. 12

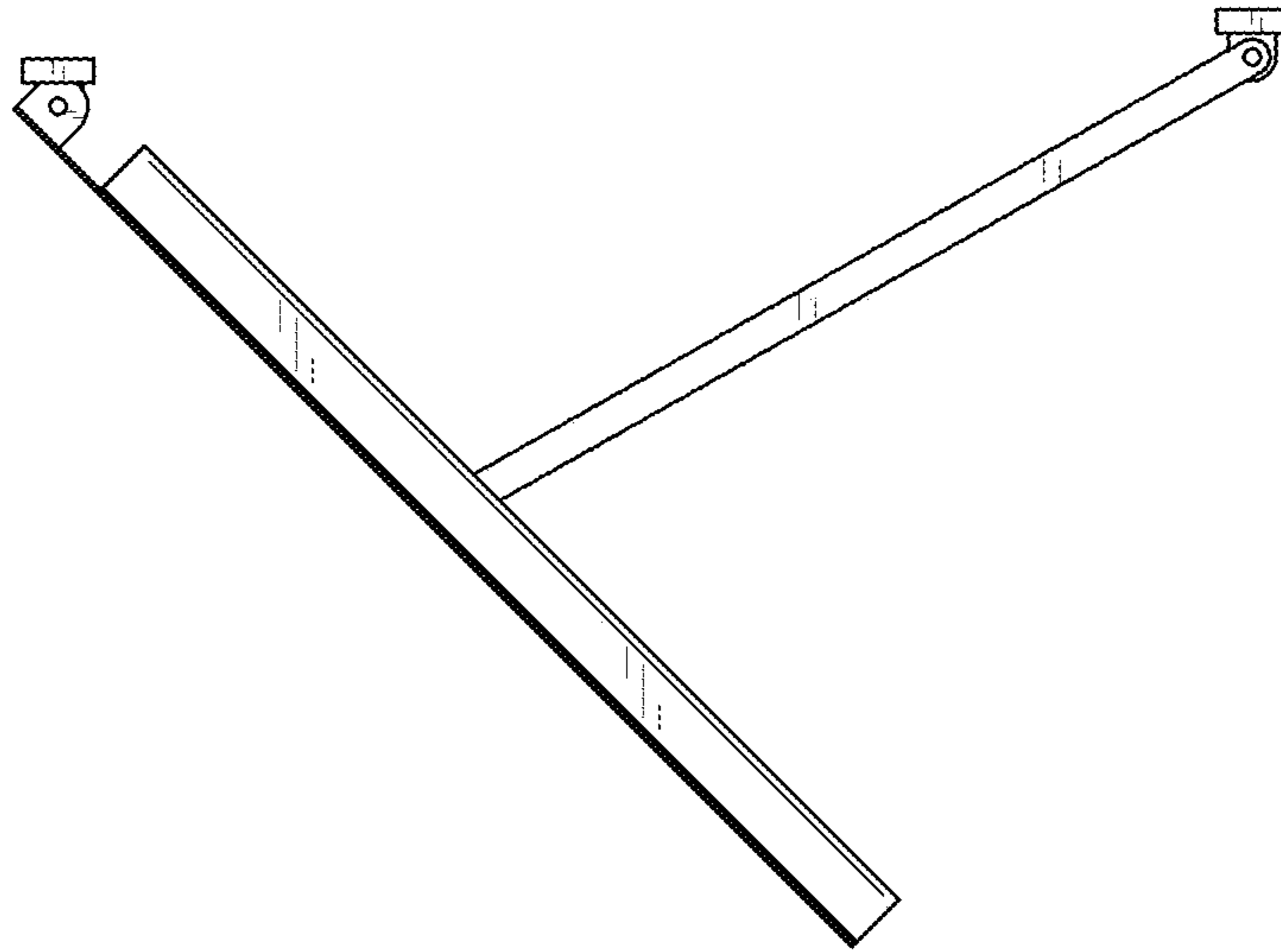


FIG. 14

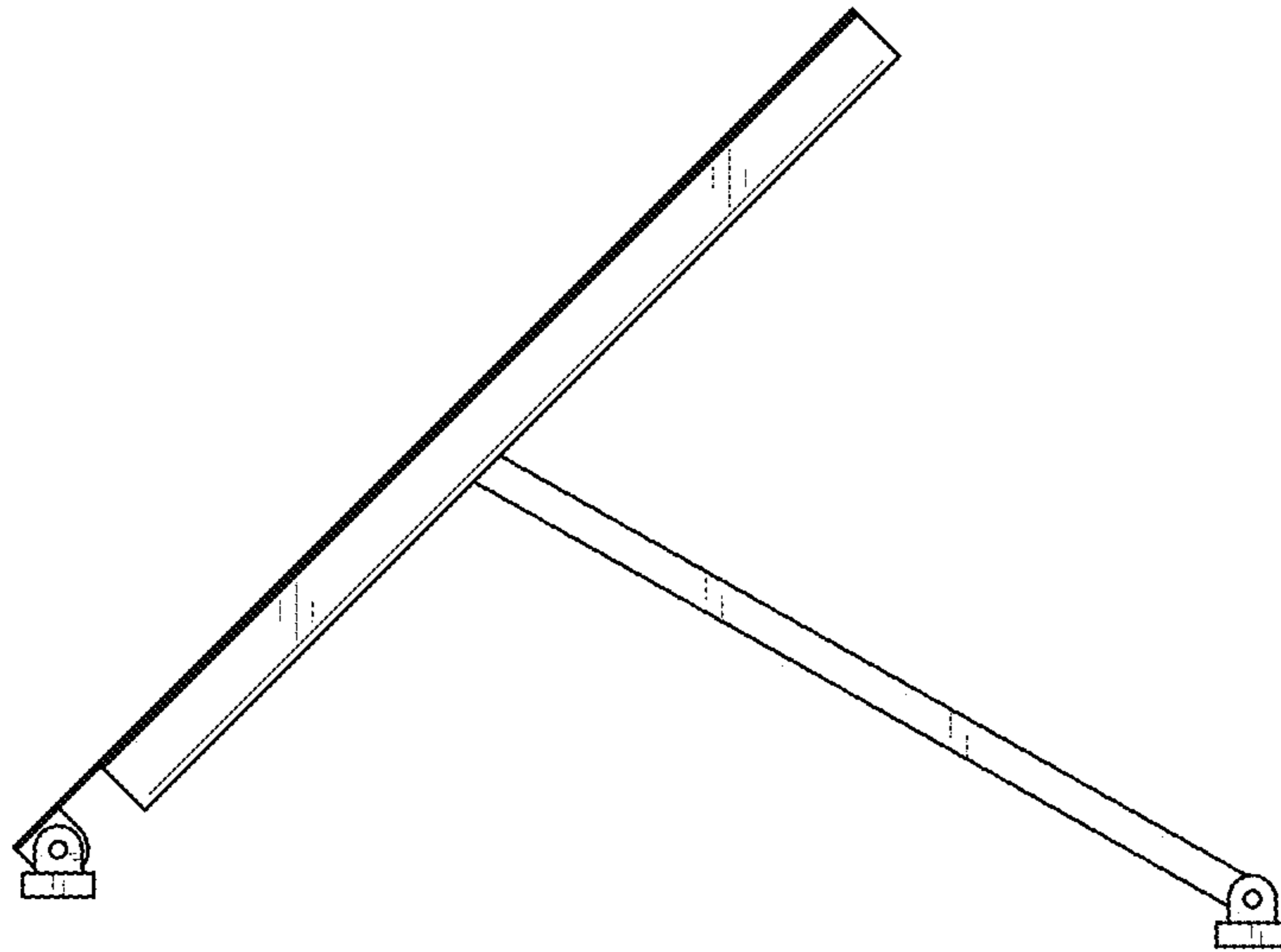


FIG. 13

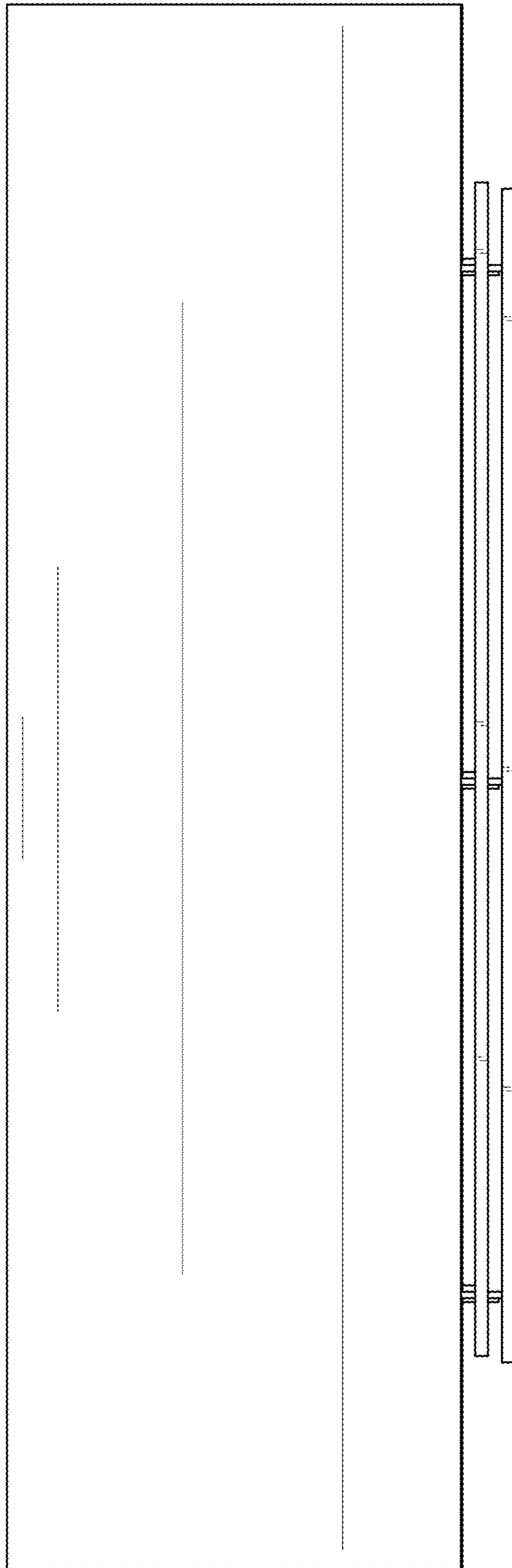


FIG. 15

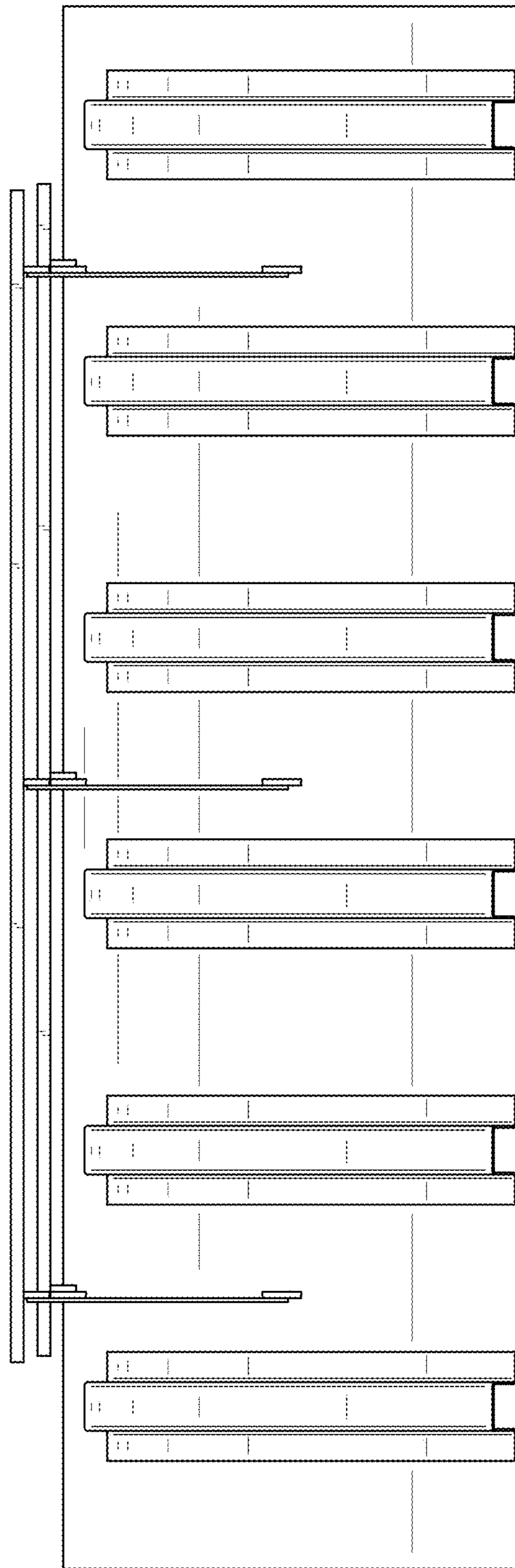


FIG. 16