



US0D1053302S

(12) **United States Design Patent** (10) **Patent No.:** **US D1,053,302 S**
McCune et al. (45) **Date of Patent:** **** Dec. 3, 2024**

- (54) **INDOOR PLUG-IN FLYING INSECT TRAP**
- (71) Applicant: **Alliance Sports Group, L.P.**, Roanoke, TX (US)
- (72) Inventors: **Clark McCune**, Roanoke, TX (US);
Todd Marcucci, Mansfield, TX (US);
James Brandon Roach, Keller, TX (US)
- (73) Assignee: **Alliance Sports Group, L.P.**, Roanoke, TX (US)
- (**) Term: **15 Years**
- (21) Appl. No.: **29/853,486**
- (22) Filed: **Sep. 15, 2022**
- (51) **LOC (14) Cl.** **22-06**
- (52) **U.S. Cl.**
USPC **D22/122**
- (58) **Field of Classification Search**
USPC D22/122; D23/366-367; D26/26
CPC A01M 1/02; A01M 1/04; A01M 1/10;
A01M 1/14; A01M 1/023; A01M 1/226;
A01M 1/106; A01M 4/145; A01M
1/2016; A01M 29/12; A01M 29/34;
A01M 2200/01; A01M 2200/012
See application file for complete search history.

(56) **References Cited**

U.S. PATENT DOCUMENTS

2,931,880	A	4/1960	Yaffe	
5,556,192	A	9/1996	Wang	
6,478,440	B1	11/2002	Jaworski	
D641,896	S *	7/2011	Weiser	D26/26
8,291,638	B2	10/2012	Larsen	
8,375,625	B2	2/2013	Larsen	
10,588,307	B2 *	3/2020	Sandford	A01M 1/106
D890,291	S *	7/2020	Rocha	D22/122
D959,593	S *	8/2022	Smith	D22/122

D994,167	S *	8/2023	Li	D26/26
D1,028,167	S *	5/2024	Wang	D22/123
2007/0237498	A1	10/2007	Helf et al.	
2012/0174470	A1	7/2012	Studer et al.	
2014/0037273	A1	2/2014	Jaworski et al.	
2017/0086448	A1	3/2017	Studer et al.	
2018/0184635	A1	7/2018	Studer et al.	
2019/0008133	A1	1/2019	Llorente Alonso et al.	
2019/0141977	A1	5/2019	Smith et al.	
2019/0141978	A1	5/2019	Smith et al.	
2019/0150431	A1	5/2019	Uchiyama et al.	
2019/0168240	A1	6/2019	Beesley et al.	
2019/0208760	A1	7/2019	Towne	
2019/0261616	A1	8/2019	Studer	
2020/0138004	A1	5/2020	Sandford et al.	
2020/0138006	A1	5/2020	Sandford et al.	
2021/0105991	A1	4/2021	Furner et al.	
2021/0213152	A1	7/2021	Richard et al.	
2022/0061301	A1	3/2022	Smith et al.	
2023/0226242	A1	7/2023	Harrell et al.	

* cited by examiner

Primary Examiner — Catherine R Oliver-Garcia

(74) *Attorney, Agent, or Firm* — Thorpe North & Western, LLP; Jed H. Hansen

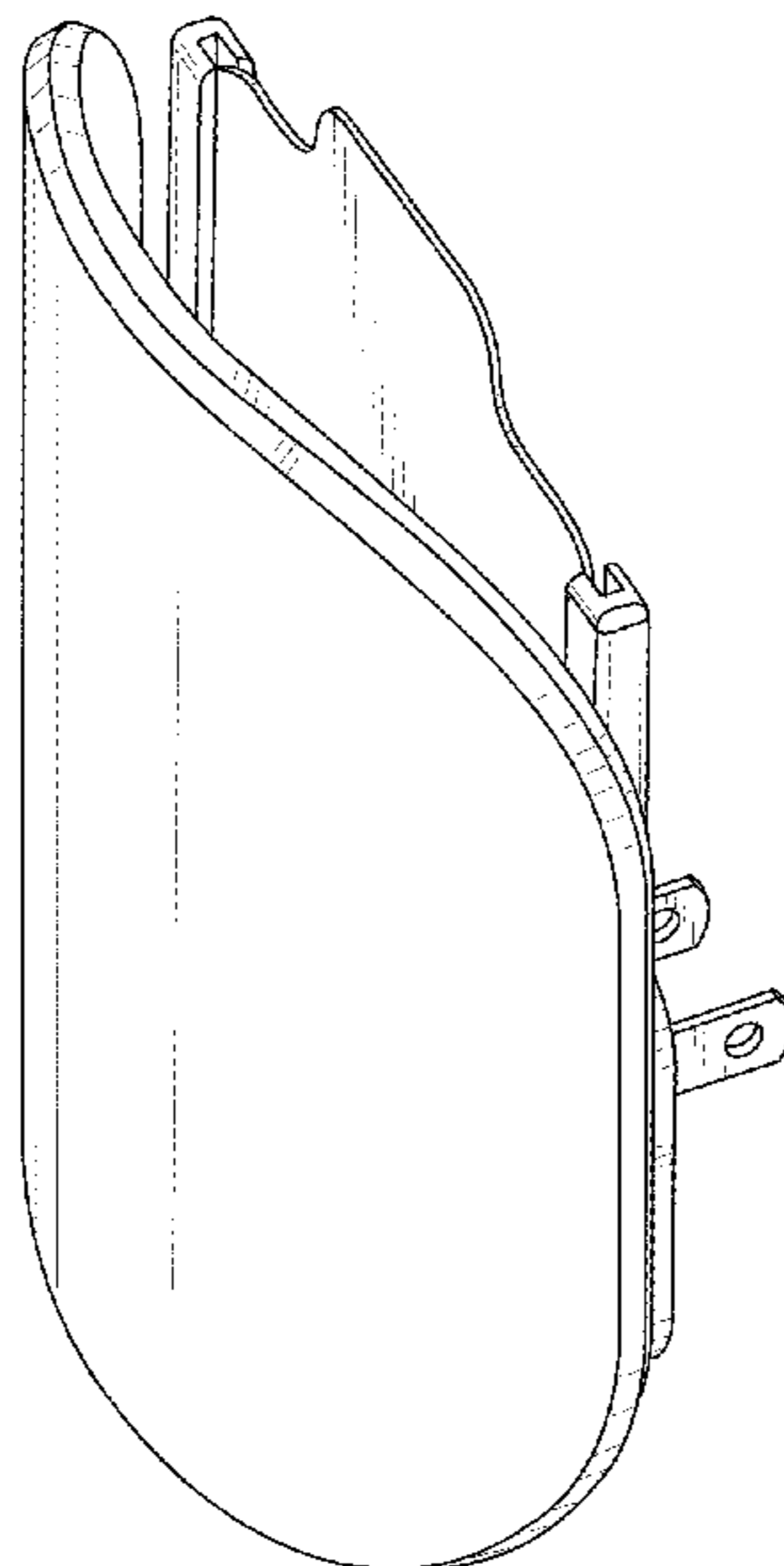
(57) **CLAIM**

The ornamental design for an indoor plug-in flying insect trap as shown and described.

DESCRIPTION

FIG. 1 is a perspective view of the indoor plug-in flying insect trap in accordance with my invention;
 FIG. 2 is a side view thereof;
 FIG. 3 is an opposing side view of FIG. 2;
 FIG. 4 is a front view;
 FIG. 5 is a back view;
 FIG. 6 is a top view;
 FIG. 7 is a bottom view; and,
 FIG. 8 is a perspective view with the cover in an open position.

1 Claim, 7 Drawing Sheets



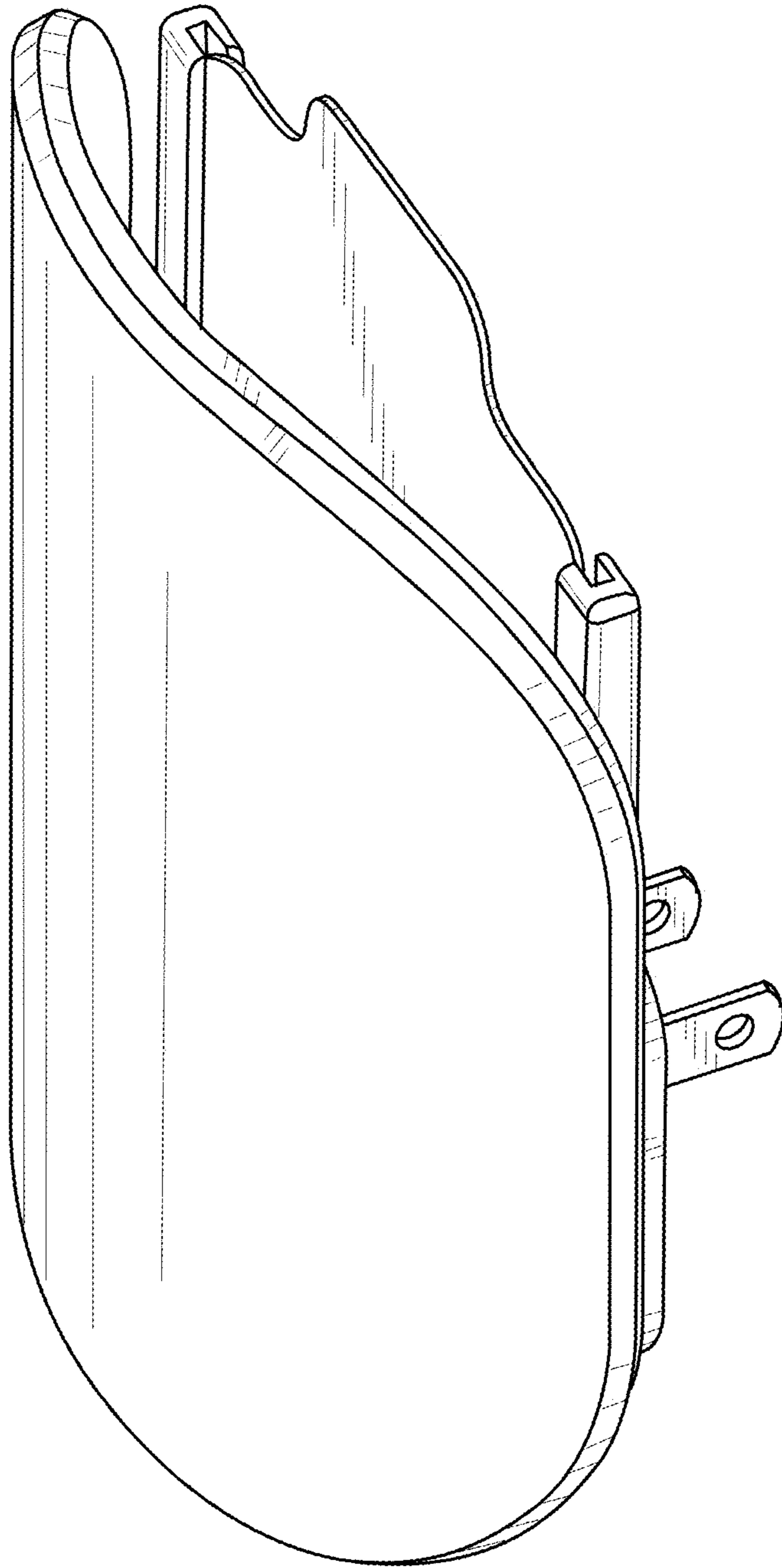


FIG. 1

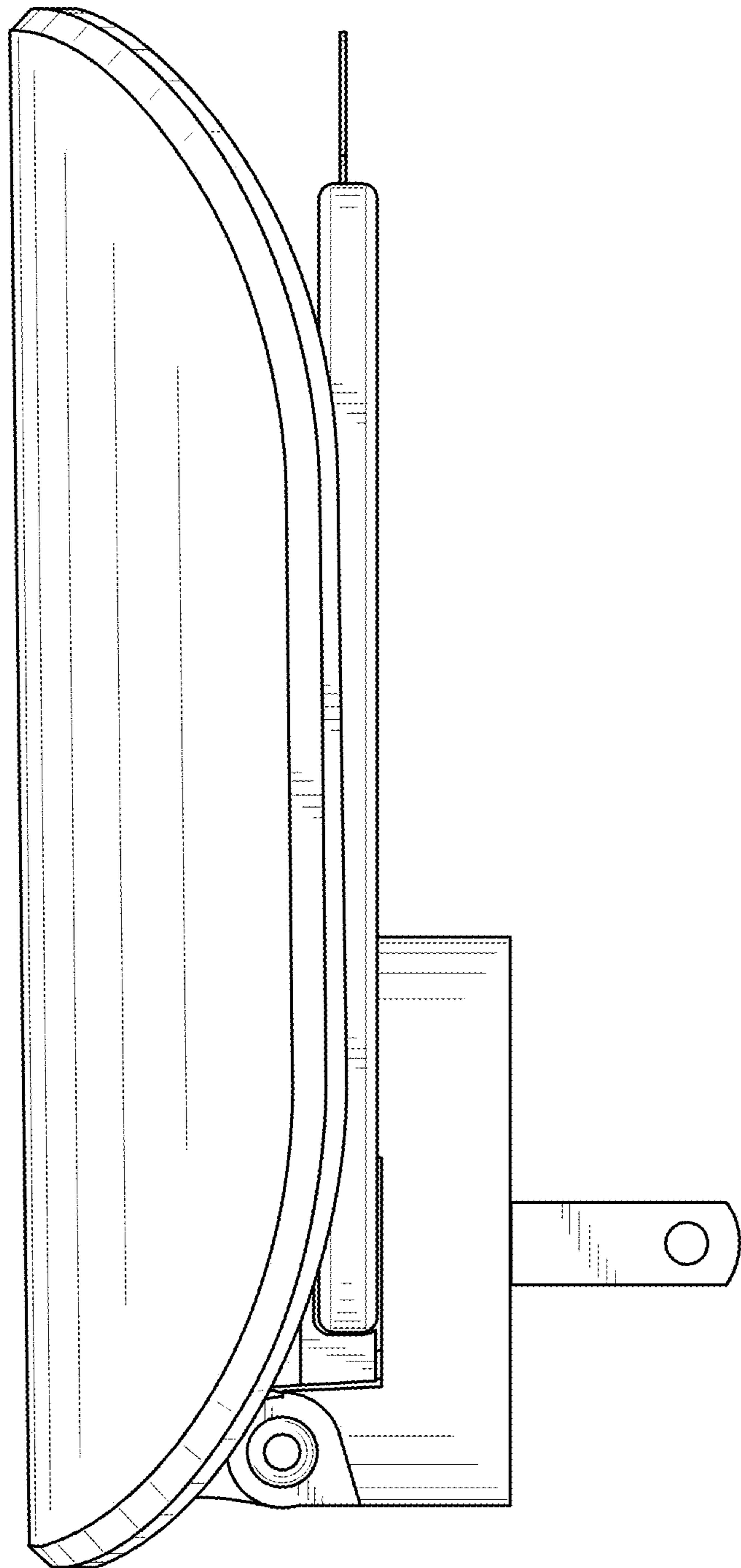


FIG. 2

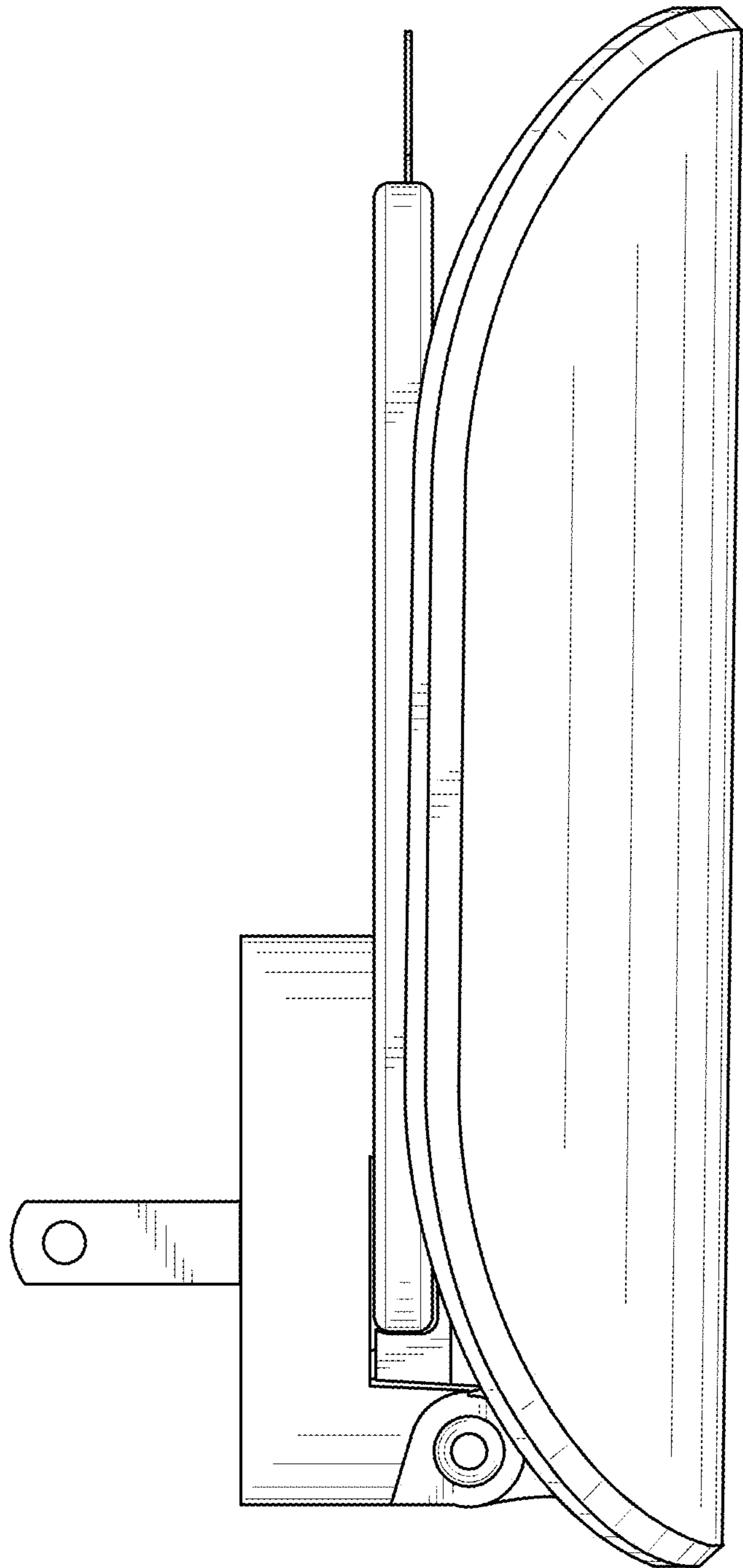


FIG. 3

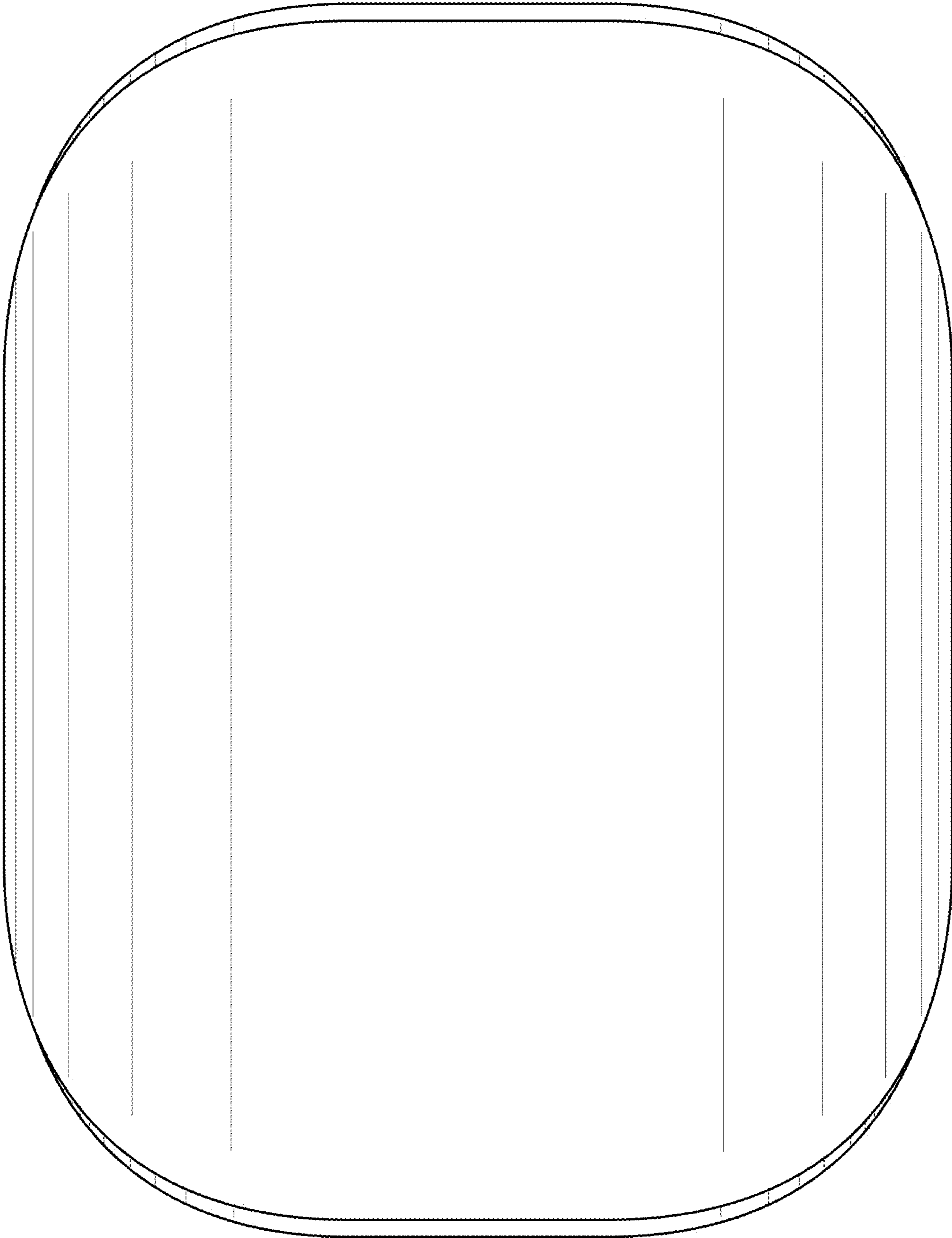


FIG. 4

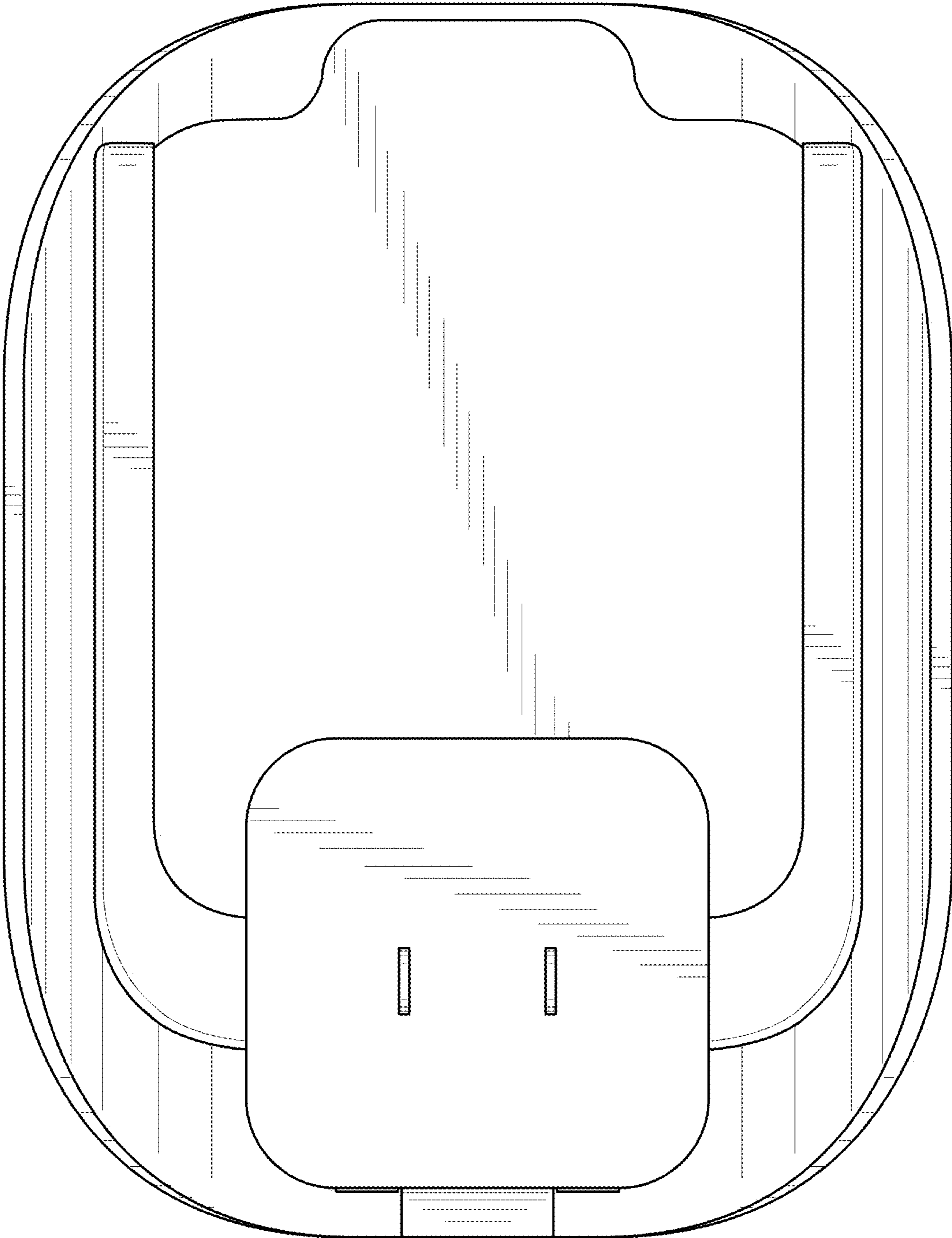


FIG. 5

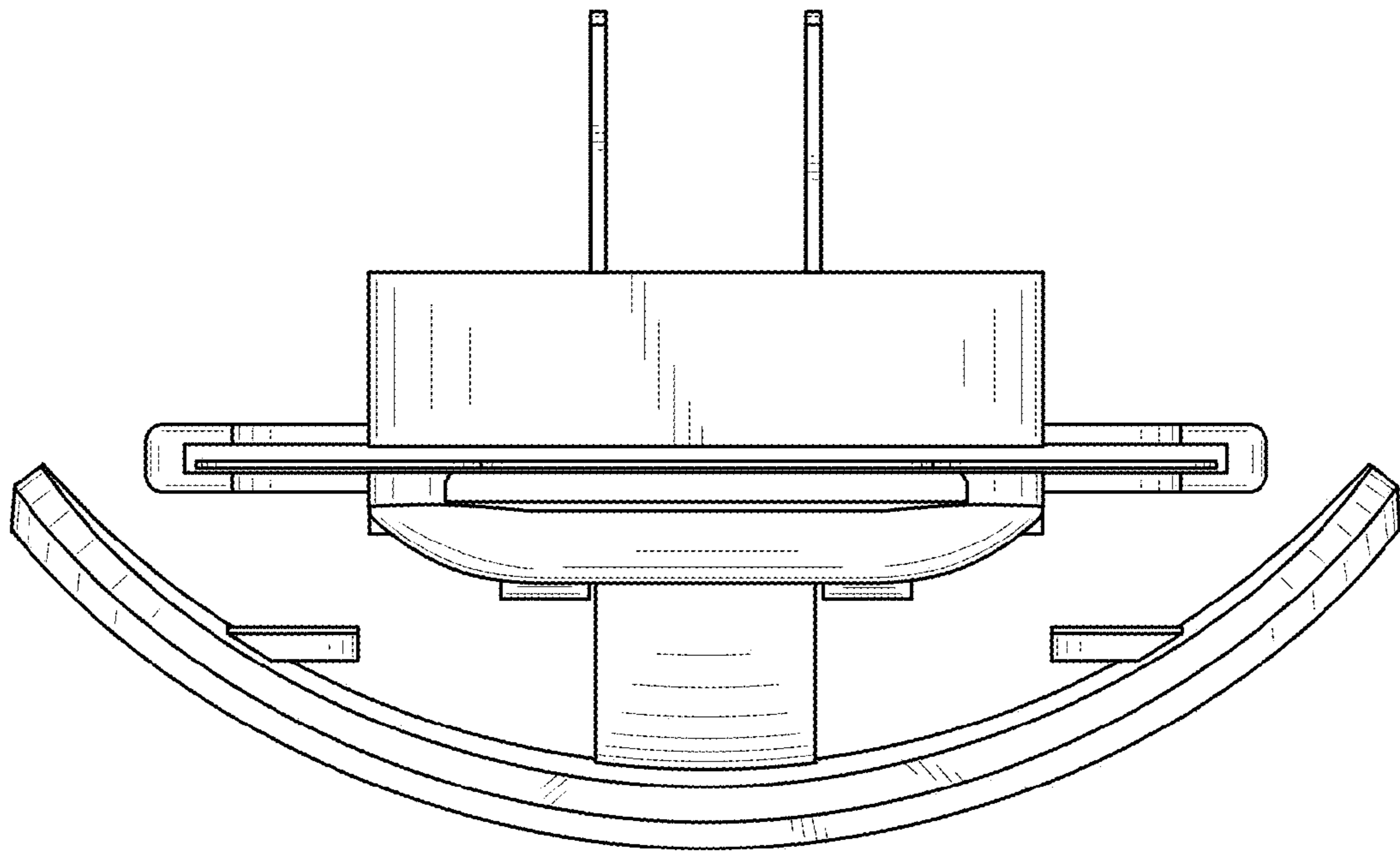


FIG. 6

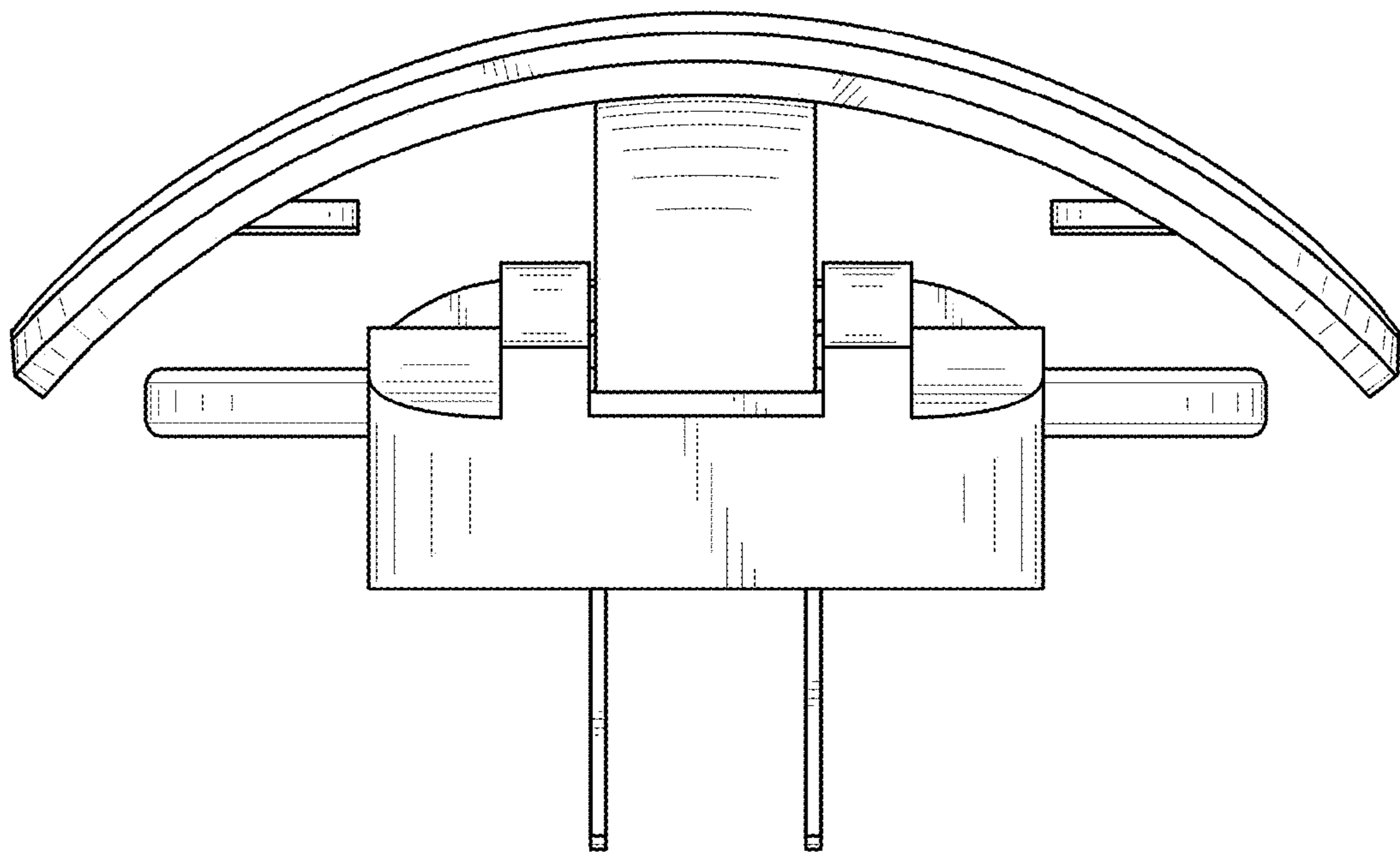


FIG. 7

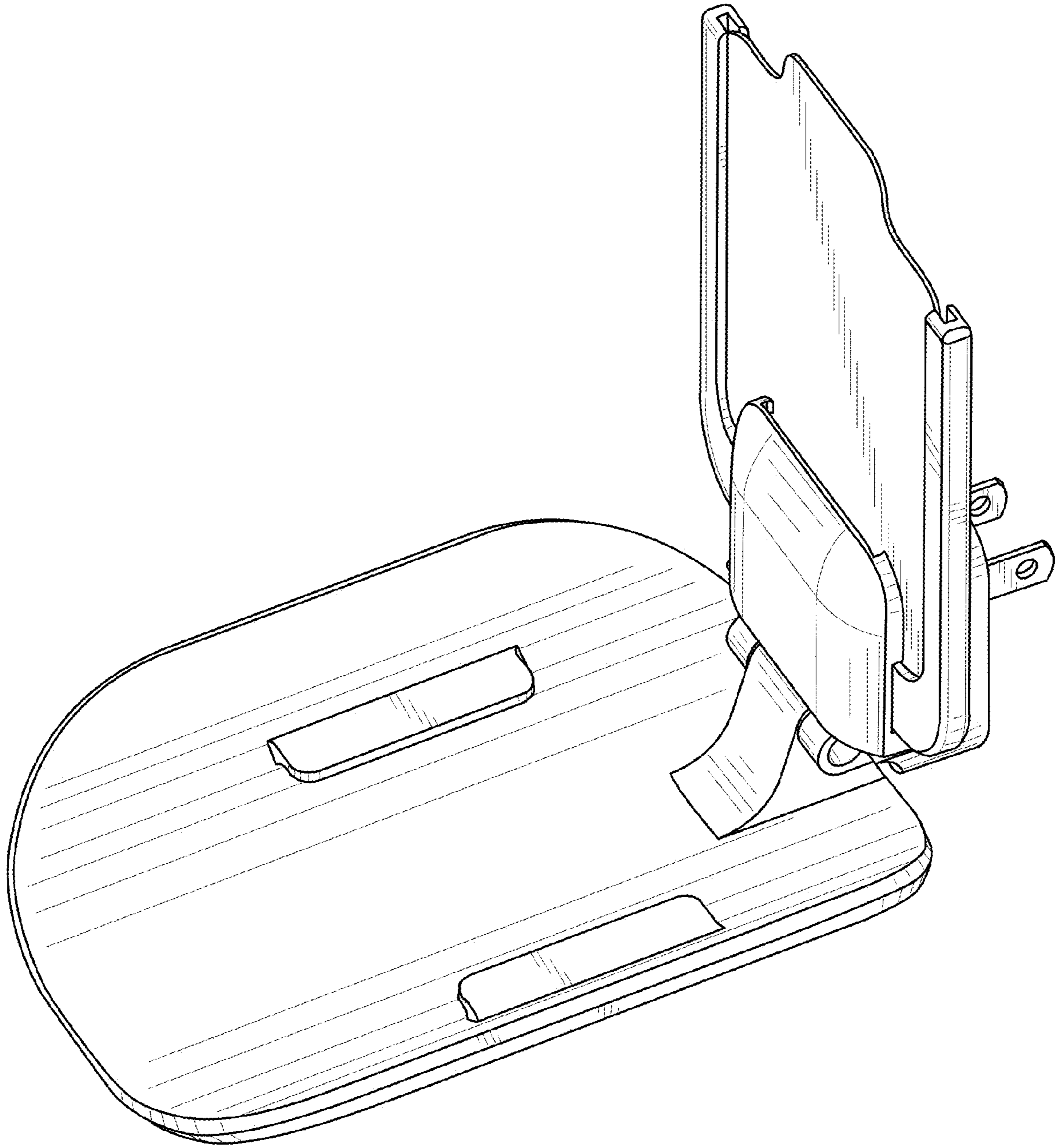


FIG. 8