



US0D1053278S

(12) **United States Design Patent** (10) **Patent No.:** **US D1,053,278 S**  
**Poteet et al.** (45) **Date of Patent:** **\*\* Dec. 3, 2024**

(54) **MODEL VEHICLE C-HUB**

FOREIGN PATENT DOCUMENTS

(71) Applicant: **TRAXXAS, L.P.**, McKinney, TX (US)

DE 102008057196 A1 7/2009  
EM 007721154-0004 3/2020

(72) Inventors: **Kent Poteet**, Lucas, TX (US); **Otto Karl Allmendinger**, Rowlett, TX (US); **Adam Cole Ewing**, McKinney, TX (US); **Ross Martin**, Roanoke, TX (US); **Noah House**, Sachse, TX (US)

(Continued)

(73) Assignee: **TRAXXAS, L.P.**, McKinney, TX (US)

OTHER PUBLICATIONS

(\*\*) Term: **15 Years**

Amazon Website, Traxxas Caster Blocks, Earliest Comment Date: Sep. 9, 2016 [Website Visited Oct. 2, 2024] Available on the Internet URL <https://www.amazon.com/Traxxas-7732-X-Maxx-Caster-Blocks/dp/B01A6YD1XC> (Year: 2016).‡

(Continued)

(21) Appl. No.: **29/886,311**

*Primary Examiner* — S. Bryan Reinholdt, Jr.

(22) Filed: **Mar. 7, 2023**

*Assistant Examiner* — James T Tyree

(51) **LOC (14) Cl.** ..... **21-01**

(74) *Attorney, Agent, or Firm* — Daryl R. Wright; Greg Carr

(52) **U.S. Cl.**

USPC ..... **D21/561**; D21/533; D21/483; D21/562

(58) **Field of Classification Search**

USPC ..... D21/483, 561, 562, 563, 565, 424, 495, D21/533

CPC ..... A63H 17/262; A63H 19/18; B60G 7/003

See application file for complete search history.

(57) **CLAIM**

The ornamental design for a model vehicle c-hub as shown and described.

**DESCRIPTION**

(56) **References Cited**

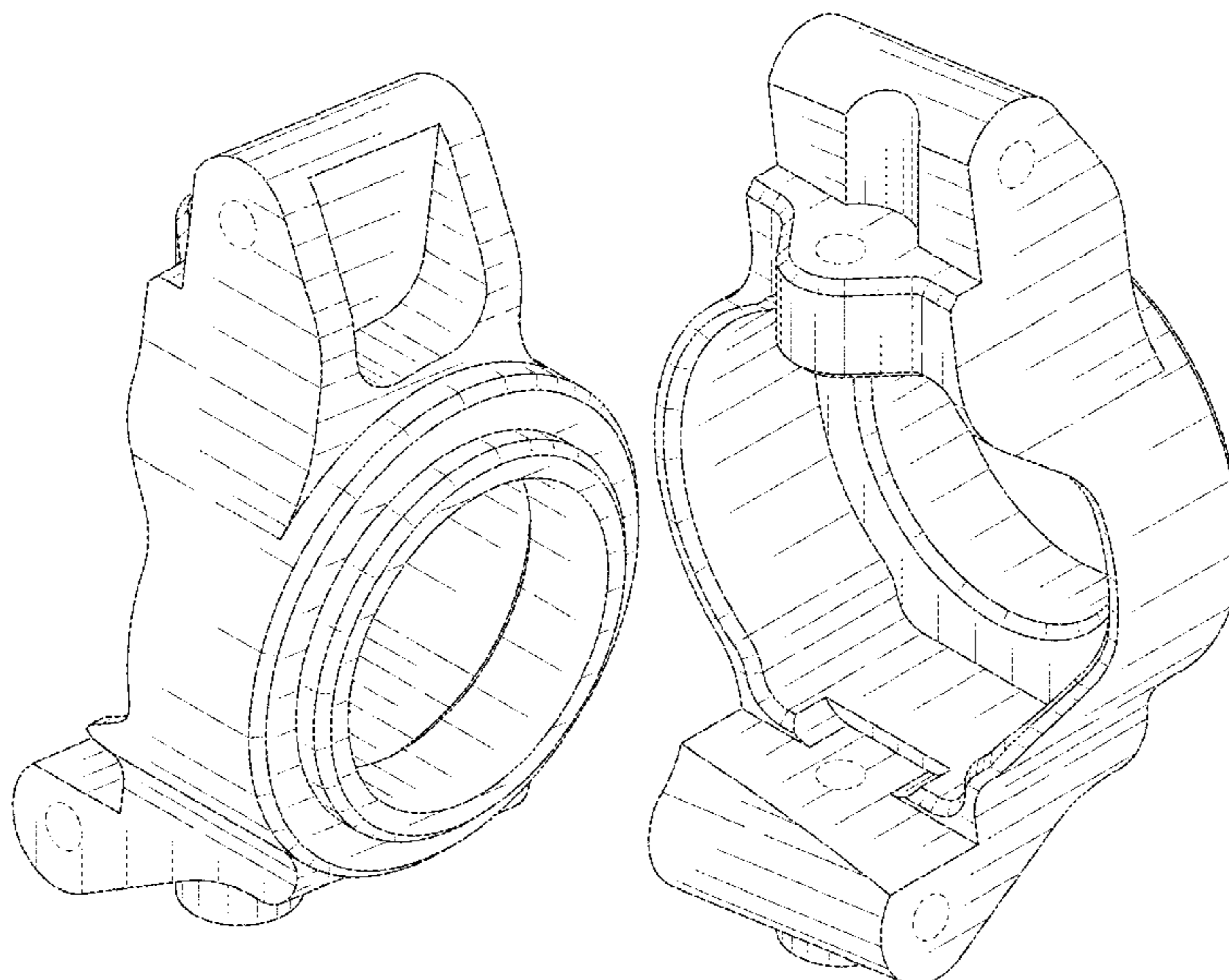
U.S. PATENT DOCUMENTS

1,377,905 A	5/1921	Martz
1,455,706 A	5/1923	Bower et al.
2,041,992 A	5/1936	Noel
2,083,085 A	6/1937	Palmer
2,132,545 A	10/1938	Smith
2,547,435 A	4/1951	Bouchard
3,306,077 A	2/1967	Piatti
3,333,654 A	8/1967	Price-Stephens
3,767,221 A	10/1973	Asberg
D242,442 S	11/1976	Garrison
D246,921 S	1/1978	Moline
4,509,932 A	4/1985	Weible
4,632,203 A	12/1986	Krude

(Continued)

FIG. 1 is an upper, right, front perspective view of a model vehicle c-hub showing our new design; FIG. 2 is an upper, right, rear perspective view thereof; FIG. 3 is a lower, left, front perspective view thereof; FIG. 4 is a lower, left, rear perspective view thereof; FIG. 5 is a front elevation view thereof; FIG. 6 is a rear elevation view thereof; FIG. 7 is a left side elevation view thereof; FIG. 8 is a right side elevation view thereof; FIG. 9 is an upper plan view thereof; and, FIG. 10 is a lower plan view of the model vehicle c-hub. In the drawings, the broken lines illustrate portions of the model vehicle c-hub that form no part of the claimed design.

**1 Claim, 7 Drawing Sheets**



(56)

References Cited

U.S. PATENT DOCUMENTS

4,690,656 A 9/1987 Friendman et al.  
D304,472 S 11/1989 Poulsen  
D304,473 S 11/1989 Poulsen  
D311,942 S 11/1990 Dideriksen  
D327,280 S 6/1992 Macomber  
D332,978 S 2/1993 Tsuchiya  
D341,560 S 11/1993 Fabris et al.  
5,338,247 A 8/1994 Miles  
5,498,208 A 3/1996 Braun  
5,516,130 A 5/1996 Mitchell  
D385,835 S 11/1997 Webster  
D403,023 S 12/1998 Araki  
5,954,586 A 9/1999 Kirson  
D424,988 S 5/2000 Rothlisberger  
6,394,878 B1 5/2002 Wang  
6,416,136 B1 7/2002 Smith  
6,478,709 B1 11/2002 Irwin et al.  
6,513,614 B2 2/2003 Knutson et al.  
6,773,353 B2 8/2004 Cornay et al.  
6,779,755 B1 8/2004 Thomsen  
6,796,404 B1 9/2004 Dick, Jr. et al.  
6,820,707 B1 11/2004 Cantemir  
D516,582 S 3/2006 Giddens  
7,144,326 B2 12/2006 Thompson  
D605,985 S 12/2009 Pennala  
7,690,660 B2 4/2010 Dudding et al.  
7,810,604 B2 10/2010 Byers et al.  
7,841,923 B2 11/2010 Marzetta et al.  
D677,608 S 3/2013 Kientzy  
D686,677 S 7/2013 Simonds  
D686,952 S ‡ 7/2013 Rau ..... D12/160  
8,540,260 B1 ‡ 9/2013 Batdorf et al.  
8,574,022 B2 11/2013 Grisolia et al.  
D717,216 S 11/2014 Dunn et al.  
8,893,364 B2 11/2014 Rode  
D788,653 S 6/2017 Smith  
D798,906 S 10/2017 Bennett et al.  
D799,552 S 10/2017 McGinley  
D822,125 S ‡ 7/2018 Ewing ..... D21/561  
D826,340 S ‡ 8/2018 Ewing ..... D21/561  
D840,282 S 2/2019 Coste  
D843,273 S 3/2019 Audley-Coote  
D845,398 S 4/2019 Wood  
D845,842 S 4/2019 Sun  
D847,911 S 5/2019 Wood  
D847,912 S 5/2019 Wood  
D866,683 S 11/2019 Ewing et al.  
D868,171 S ‡ 11/2019 Wood ..... D21/495  
D869,348 S 12/2019 Kucharski  
D871,273 S 12/2019 Bhaskar  
D878,974 S 3/2020 McGaughy  
D880,279 S 4/2020 Marchesan  
D880,375 S 4/2020 McGaughy  
D887,359 S 6/2020 McCoy, Jr.  
D891,998 S 8/2020 Smith  
D900,250 S ‡ 10/2020 Ewing ..... D21/561  
D902,089 S 11/2020 Ewing et al.  
D902,091 S 11/2020 Ewing et al.  
D904,532 S ‡ 12/2020 Ewing ..... D21/561  
D905,799 S 12/2020 Ewing et al.  
D913,166 S 3/2021 Kiska  
D923,115 S 6/2021 Ewing et al.  
D923,116 S ‡ 6/2021 Ewing ..... D21/562  
D923,722 S ‡ 6/2021 Ewing ..... D21/562  
D931,151 S 9/2021 Wade et al.  
D944,901 S 3/2022 Ewing et al.  
D945,488 S 3/2022 Mathura  
D945,897 S 3/2022 Brumbach  
D947,290 S ‡ 3/2022 Christensen ..... D12/159  
D947,958 S ‡ 4/2022 Christensen ..... D12/159  
D947,959 S ‡ 4/2022 Christensen ..... D12/159  
D951,150 S 5/2022 Ewing et al.  
D951,299 S 5/2022 Nyren  
D954,610 S 6/2022 Owens et al.  
D954,611 S 6/2022 Owens et al.

D954,612 S 6/2022 Owens et al.  
11,378,176 B2 7/2022 Fast  
D961,690 S 8/2022 Ewing  
D996,528 S ‡ 8/2023 Christensen ..... D21/562  
D1,014,657 S ‡ 2/2024 Christensen ..... D21/562  
D1,014,658 S 2/2024 Christensen et al.  
D1,032,424 S 6/2024 Smith  
2002/0065021 A1 5/2002 Wang  
2002/0077025 A1 6/2002 Wu  
2002/0160688 A1 10/2002 Rehkemper et al.  
2002/0165031 A1 11/2002 Riefe  
2003/0110885 A1 6/2003 Beutler  
2004/0005931 A1 1/2004 Wang et al.  
2004/0231910 A1 11/2004 Mercier et al.  
2005/0156399 A1 7/2005 Chu  
2005/0206222 A1 9/2005 Swanson  
2006/0240897 A1 10/2006 Carlini et al.  
2007/0256659 A1 11/2007 Anderson et al.  
2007/0293328 A1 12/2007 Mazziotti  
2008/0238015 A1 10/2008 Duddling et al.  
2008/0303227 A1 12/2008 Chi Chun Idiot  
2009/0020973 A1 1/2009 Richardson  
2009/0029821 A1 1/2009 Martin, III et al.  
2009/0039700 A1 2/2009 Gradu et al.  
2009/0173033 A1 7/2009 Baxter, Jr.  
2011/0001350 A1 1/2011 Schmitz et al.  
2011/0057408 A1 3/2011 Koschinat  
2011/0079978 A1 4/2011 Schreiner et al.  
2011/0315468 A1 12/2011 Sellars et al.  
2013/0278047 A1 10/2013 Gottschalk  
2014/0361507 A1 12/2014 Park et al.  
2015/0191064 A1 7/2015 Gielisch et al.  
2015/0266350 A1 9/2015 Morino  
2016/0046151 A1 2/2016 Kelly et al.  
2016/0167432 A1 6/2016 Szczepanski  
2016/0169367 A1 6/2016 Orr et al.  
2017/0028517 A1 2/2017 Ferrari  
2017/0050483 A1 2/2017 Gordon et al.  
2017/0370465 A1 12/2017 Fast et al.  
2019/0030700 A1 1/2019 Huang  
2019/0054818 A1 2/2019 Garcia et al.  
2019/0210661 A1 7/2019 Cao et al.  
2020/0164708 A1 5/2020 Lim et al.  
2020/0198426 A1 6/2020 Rosene et al.  
2020/0282792 A1 9/2020 Hafele et al.  
2023/0219010 A1 7/2023 Christensen et al.  
2024/0115964 A1 4/2024 Christensen et al.  
2024/0115965 A1 4/2024 Christensen et al.

FOREIGN PATENT DOCUMENTS

EM 007721154-0006 3/2020  
GB 6228967 10/2022  
GB 6307601 ‡ 9/2023  
TW 179940-0001 12/2016  
WO WOD083139-002 ‡ 3/2014  
WO D095551-013 4/2017  
WO D095551-014 4/2017  
WO WOD095551-016 ‡ 4/2017

OTHER PUBLICATIONS

Amazon Website, mqhobby Caster Blocks, Earliest Comment Date: Oct. 21, 2021 [Website Visited Oct. 2, 2024] Available on the Internet URL <https://www.amazon.com/dp/B092M9XJYW/> (Year: 2021).‡  
Traxxas Website, Traxxas Caster Blocks, No Available Date [Website Visited Oct. 2, 2024] Available on the Internet URL <https://traxxas.com/products/parts/7832-RED> (Year: 2024).‡  
Palumma RC Gearbox Cover, available in Amazon.com, date first available Jun. 9, 2023 [online], [site visited Apr. 16, 2024], Available from the internet URL: [https://www.amazon.com/Palumma-Gearbox-Aluminum-Transmission-Differential/dp/B0C7JW49ZB/ref=sr\\_1\\_6?crid=30VAI2L9URG6D&dib=eyJ21joiMSJ9.\\_JgbGBev5Lj](https://www.amazon.com/Palumma-Gearbox-Aluminum-Transmission-Differential/dp/B0C7JW49ZB/ref=sr_1_6?crid=30VAI2L9URG6D&dib=eyJ21joiMSJ9._JgbGBev5Lj) (Year: 2023).  
Ewing, Adam Cole, et al.; U.S. Pat. No. D. 1,018,382; Model Vehicle Differential Cover; Mar. 19, 2024.

(56)

## References Cited

## OTHER PUBLICATIONS

Collins, Trent, et al.; U.S. Pat. No. D. 1,019,480; Model Vehicle Differential Cover; Mar. 26, 2024.

Xray Model Racing Cars; "T1R Raycer-Instruction Manual;" Xray Model Racing Cars, Trencin, Slovak Republic, Europe.

Traxxas Rear Stub Axle Carrier (1.5 Degree), Earliest Available Date Oct. 29, 2007 [Online], [Site Visited Oct. 28, 2020] Available From Internet, URL: <[https://www.amainhobbies.com/traxxas-rear-stub-axle-carrier-1.5-degree-tra4352/p17759?gclid=EAlalQobChMlyY7Ak\\_](https://www.amainhobbies.com/traxxas-rear-stub-axle-carrier-1.5-degree-tra4352/p17759?gclid=EAlalQobChMlyY7Ak_)

TX7AIVWQIICR1dzw2fEAQYBCABEGl99vD\_BwE> (Year: 2007). Axle Bearing Carrier Suzuki LTZ400 Kawasaki KFX400 Arctic DVX400, Earliest Available Date Jun. 13, 2018 [Online], [Site Visited Oct. 28, 2020] Available From Internet, URL: <<https://www.amazon.com/Bearing-Carrier-SUZUKI-LTZ400-KAWASAKI/dp/B07F22WBPJ>> (Year: 2018).

Traxxas C-Hubs, Published date unavailable [online], [retrieved on Feb. 5, 2022]. Retrieved from the Internet: <https://www.rcsuperstore.com/traxxas-caster-blocks-c-hubs-left-right-slash-4x4/> (Year: 2022). Traxxas Rear Stub Axle Carrier, Published date unavailable [online], [retrieved on Feb. 5, 2022]. Retrieved from the Internet: <https://www.rcmart.com/traxxas-rear-left-and-right-stub-axle-carrier-for-jato-5555-00036488> (Year: 2022).

Traxxas TRX-4M Axle Cover (Black Chrome), Amain Hobbies Webpage [online], [Site Visit Nov. 20, 2023], URL: [https://www.amainhobbies.com/traxxas-trx4m-axle-cover-black-chrome-2-tra9738-blker/p1451999?gclid=EAlalQobChMInZan4p3TggMV-TWtBh3KAA8AEAkYAiABEGkPqPD\\_BwE](https://www.amainhobbies.com/traxxas-trx4m-axle-cover-black-chrome-2-tra9738-blker/p1451999?gclid=EAlalQobChMInZan4p3TggMV-TWtBh3KAA8AEAkYAiABEGkPqPD_BwE) (Year: 2023).

TRA9738-Red TRX-4M Axle Cover Front or Rear (Traxxas), Michael's RC Hobbies Webpage [online], [Site Visit Nov. 20, 2023], URL: <https://www.michaelsrchoobbies.com/tra9738-red-trx-4m-axle-cover-front-or-rear-red-2.html> (Year: 2023).

Chen, Xingyu; U.S. Pat. No. D. 1,002,447; Axle Housing; Oct. 24, 2023.

Carriers stub axle, First Date Available: Unknown, Imaged retrieved on: Jun. 3, 2023, <<https://traxxas.com/products/parts/9552>>.

Traxxas XRT Steering Blocks (2), as shown in [www.hobbytown.com](http://www.hobbytown.com), May 16, 2023, Part # TRA7836. (Year: 2023).

Arrma 4S BLX Steering Block (2), as shown in [www.hobbytown.com](http://www.hobbytown.com), Jul. 16, 2019, Part # ARA330523. (Year: 2019).

RPM Oversized Front Axle Carriers for Traxxas X-Maxx w/Bearings (2), as shown in [www.amainhobbies.com](http://www.amainhobbies.com), Jan. 18, 2021, Part # RPM80662. (Year: 2021).

Aluminum Alloy Front Hubs Steering Blocks for Traxxas X-MAXX 1/5 Scale RC Car Upgrade Parts (Red), ZXYRC Store, as shown in [www.amazon.com](http://www.amazon.com), Apr. 10, 2022. (Year: 2022).

Traxxas 7836—Gray Steering Blocks Alum Gray, as shown in [www.rc-powerhouse.com](http://www.rc-powerhouse.com), no date listed, date found Jun. 18, 2024. (Year: 2024).

Traxxas XRT Caster Blocks (2), as shown in [www.hobbytown.com](http://www.hobbytown.com), May 16, 2023, Part # TRA7832. (Year: 2023).

Hot Racing Aluminum Rear Hubs w/Over Size Bearings for Traxxas X-Maxx/XRT, as shown in [www.amainhobbies.com](http://www.amainhobbies.com), Apr. 9, 2024, Part # HRAXMX22M01. (Year: 2024).

Hot Racing Aluminum C-Hub Caster Blocks for Traxxas Maxx (Black) (2), as shown in [www.hobbytown.com](http://www.hobbytown.com), May 4, 2021, Part # HRAMXX1901. (Year: 2021).

Yokomo Graphite Front Steering Hub Carrier (4° ) (-1mm Tread) (Hard Type), as shown in [www.hobbytown.com](http://www.hobbytown.com), Jan. 30, 2018, Part # YOKB8-413GH1. (Year: 2018).

Traxxas Rear Stub Axle Carriers (2), as shown in [www.hobbytown.com](http://www.hobbytown.com), May 16, 2023, Part # TRA7852. (Year: 2023).

Measjimi Brand, 2pcs Alloy Rear Stub Axle Hub Carrier 7752 for RC Hobby Car 1/5 X-MAXX (Red), as shown in [www.amazon.com](http://www.amazon.com), no date listed, Jun. 17, 2024, date found, ASIN B09MH1V2Q. (Year: 2024).

Weiqian brand, 1 Pair RC Rear Hub Carrier Portable Flexible CNC Aluminum Alloy Rear Stub Axle Carrier Replacement for Traxxas 1/5 Black, as shown in [www.walmart.com](http://www.walmart.com), no date listed, Jun. 17, 2024, date found. (Year: 2024).

RPM Oversized Rear Axle Carriers for Traxxas X-Maxx, as shown in [www.hobbytown.com](http://www.hobbytown.com), Sep. 27, 2016, Part # RPM81732. (Year: 2016).

Globact Brass LCG Heavy Weight Caster Blocks Portal Drive C-Hubs 84g Counterweight for 1/10 TRX4 TRX6 RC Crawler Car Upgrades Parts (2Pcs), as shown in [www.amazon.com](http://www.amazon.com), Aug. 9, 2023, ASIN B0C9SWT276. (Year: 2023).

Traxxas Sledge Left & Right Steering Blocks, as shown in [www.hobbytown.com](http://www.hobbytown.com), Jul. 27, 2022, Part # TRA9537. (Year: 2022).

Traxxas Sledge Caster Blocks L/R w/ Kingpin Bushings, as shown in [www.hobbytown.com](http://www.hobbytown.com), Jul. 5, 2022, Part # TRA9532. (Year: 2022).

Carriers, stub axle, 6061-T6 aluminum, posted date unknown [online], [retrieved Jul. 5, 2024]. Retrieved from internet, <https://traxxas.com/products/parts/9552T> (Year: 2024).

RiToEasysports 2Pcs RC Rear Axle Carrier, posted date unknown [online], [retrieved xx/xx/xx]. Retrieved from internet, [https://www.amazon.com/RiToEasysports-Carrier-Aluminum-Alloy-Compatible/dp/B09JGDWWSK/ref=sr\\_1\\_28](https://www.amazon.com/RiToEasysports-Carrier-Aluminum-Alloy-Compatible/dp/B09JGDWWSK/ref=sr_1_28) (Year: 2024).

‡ imported from a related application

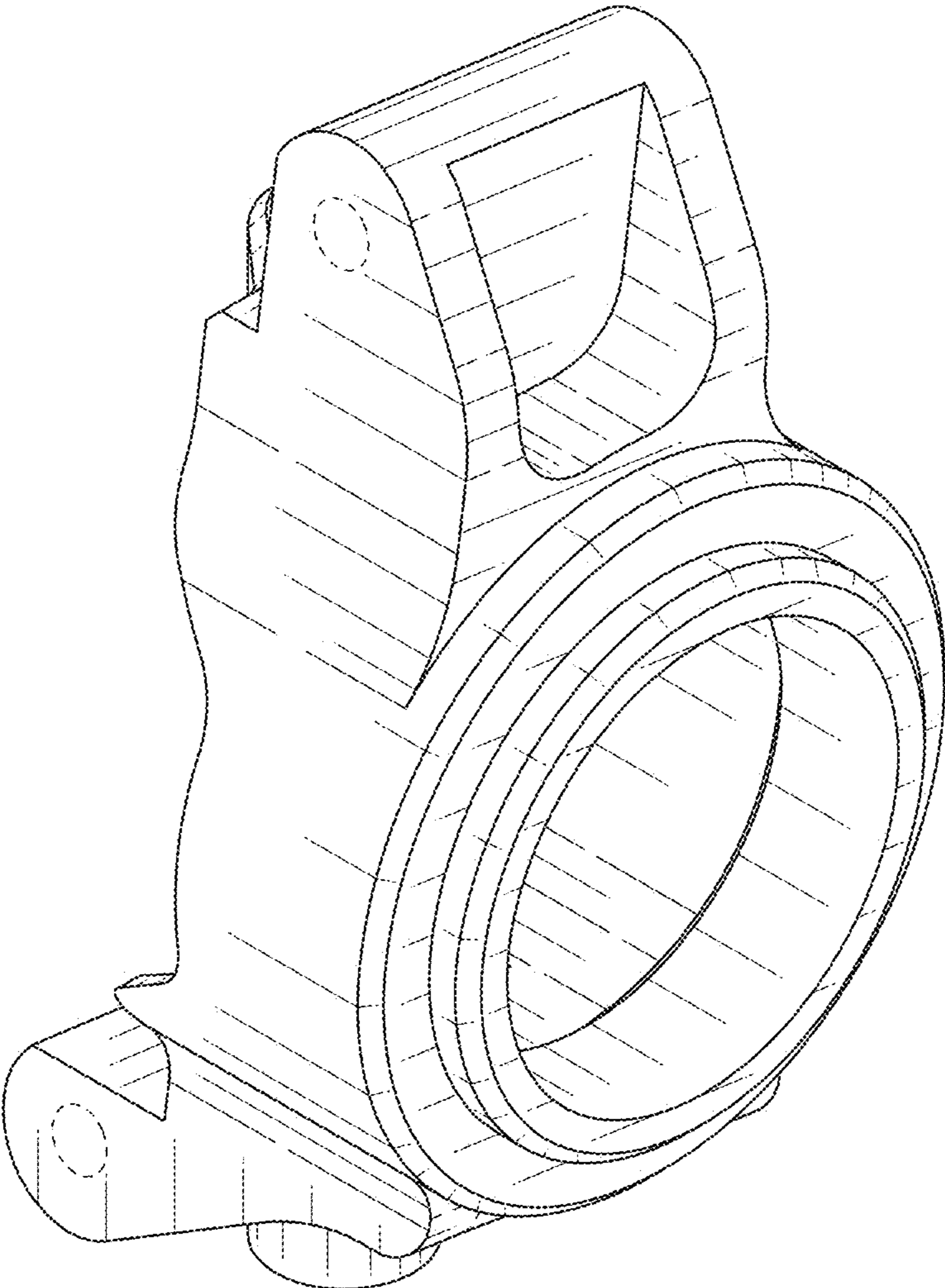


FIG. 1

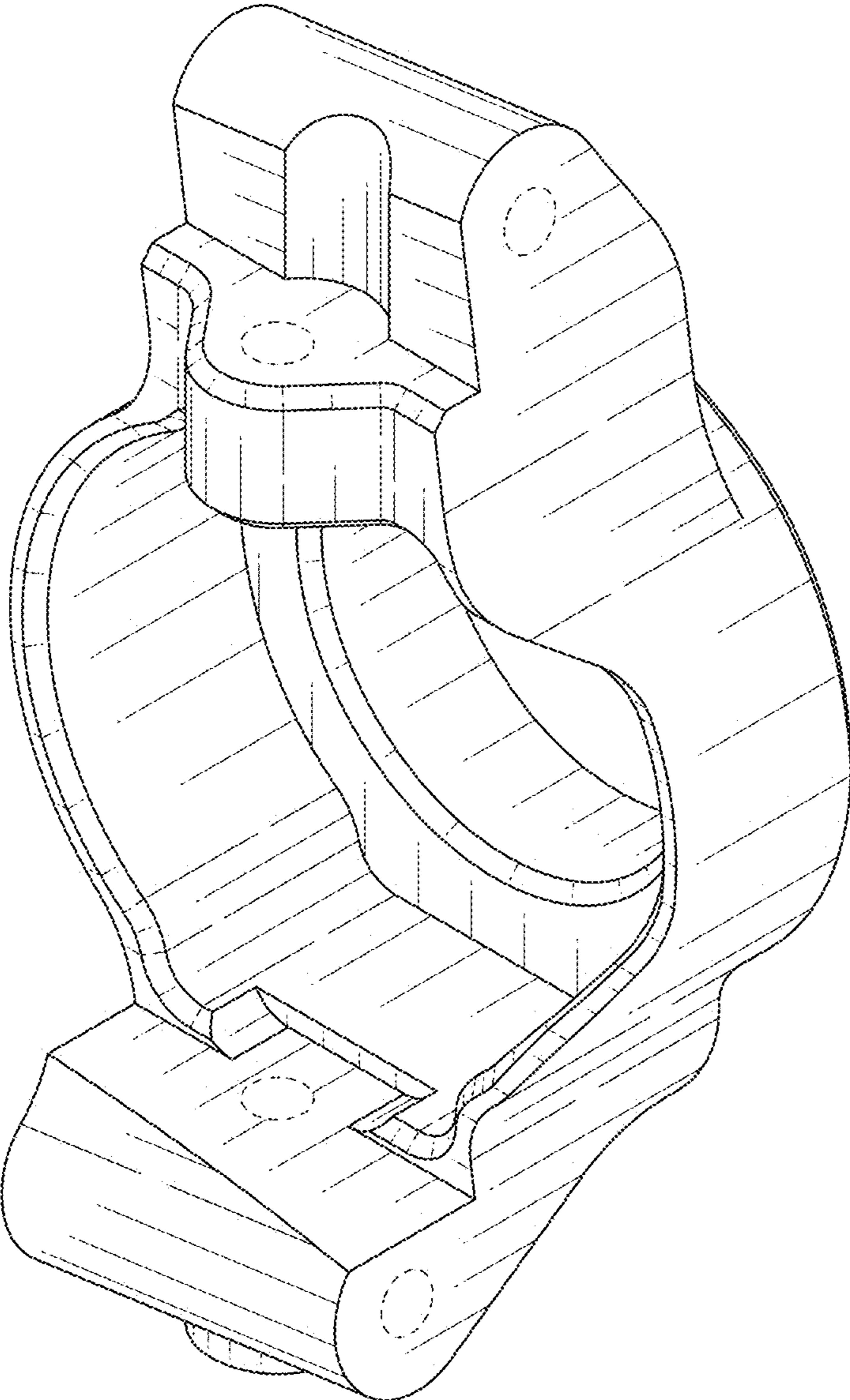


FIG. 2

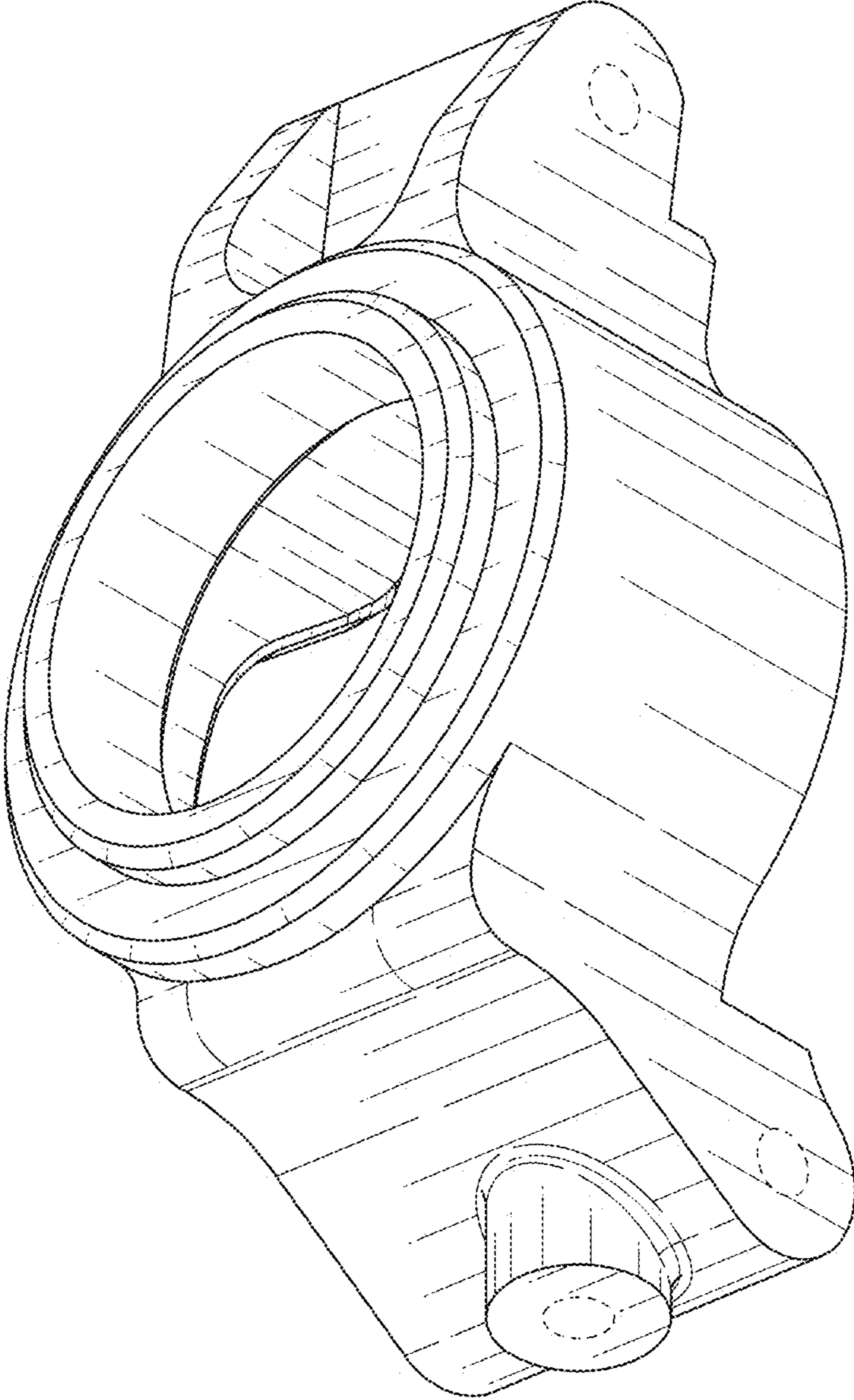


FIG. 3

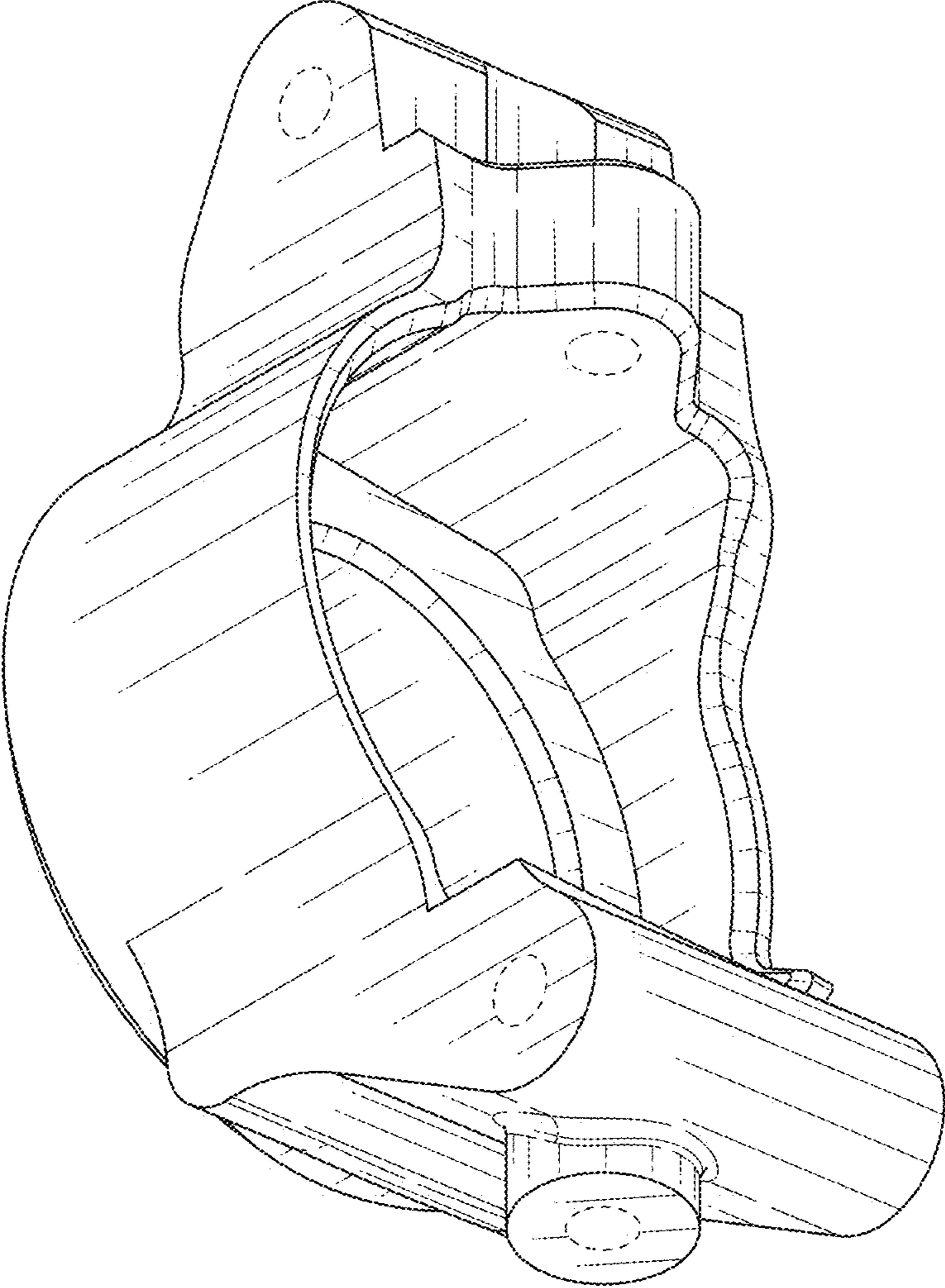


FIG. 4

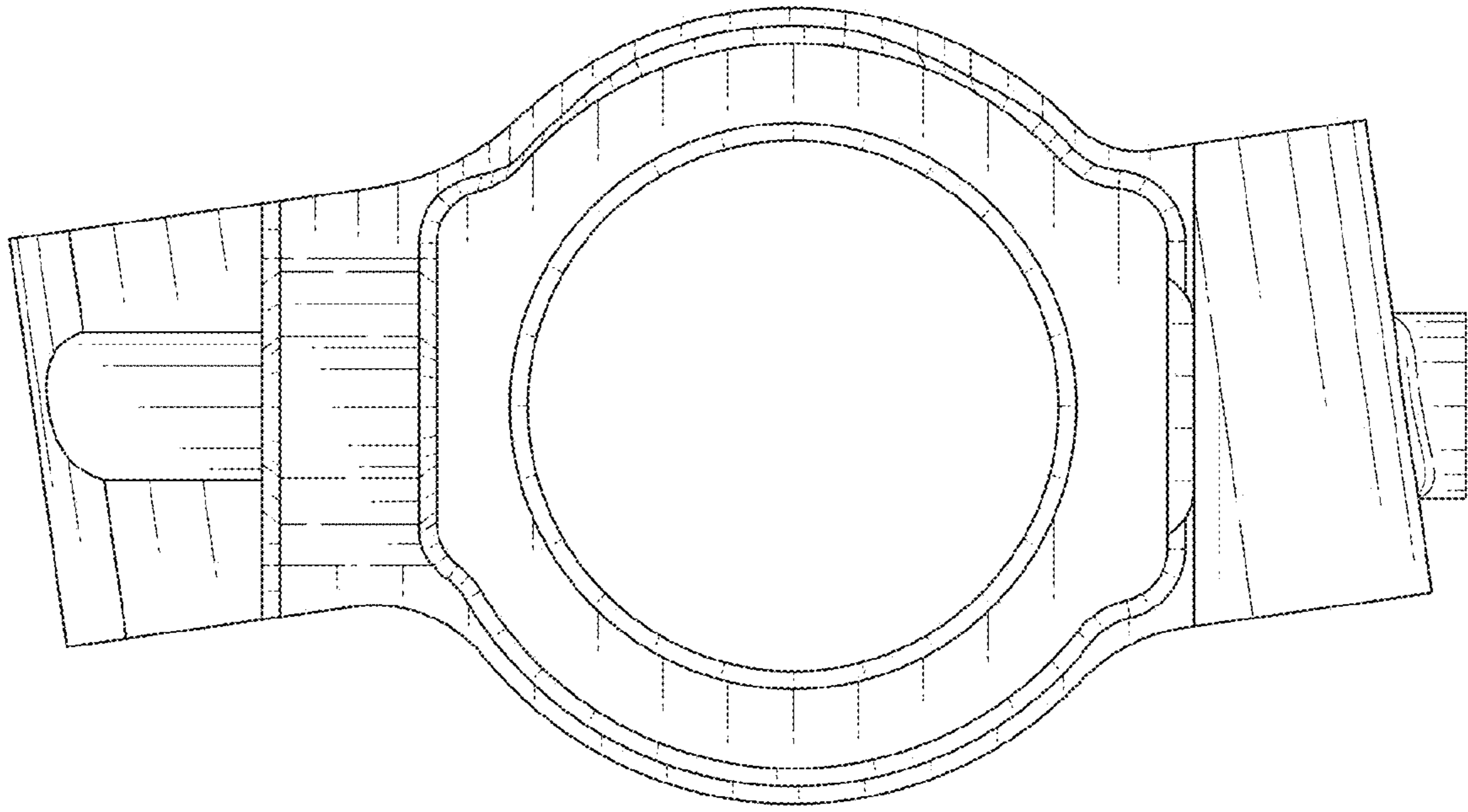


FIG. 5

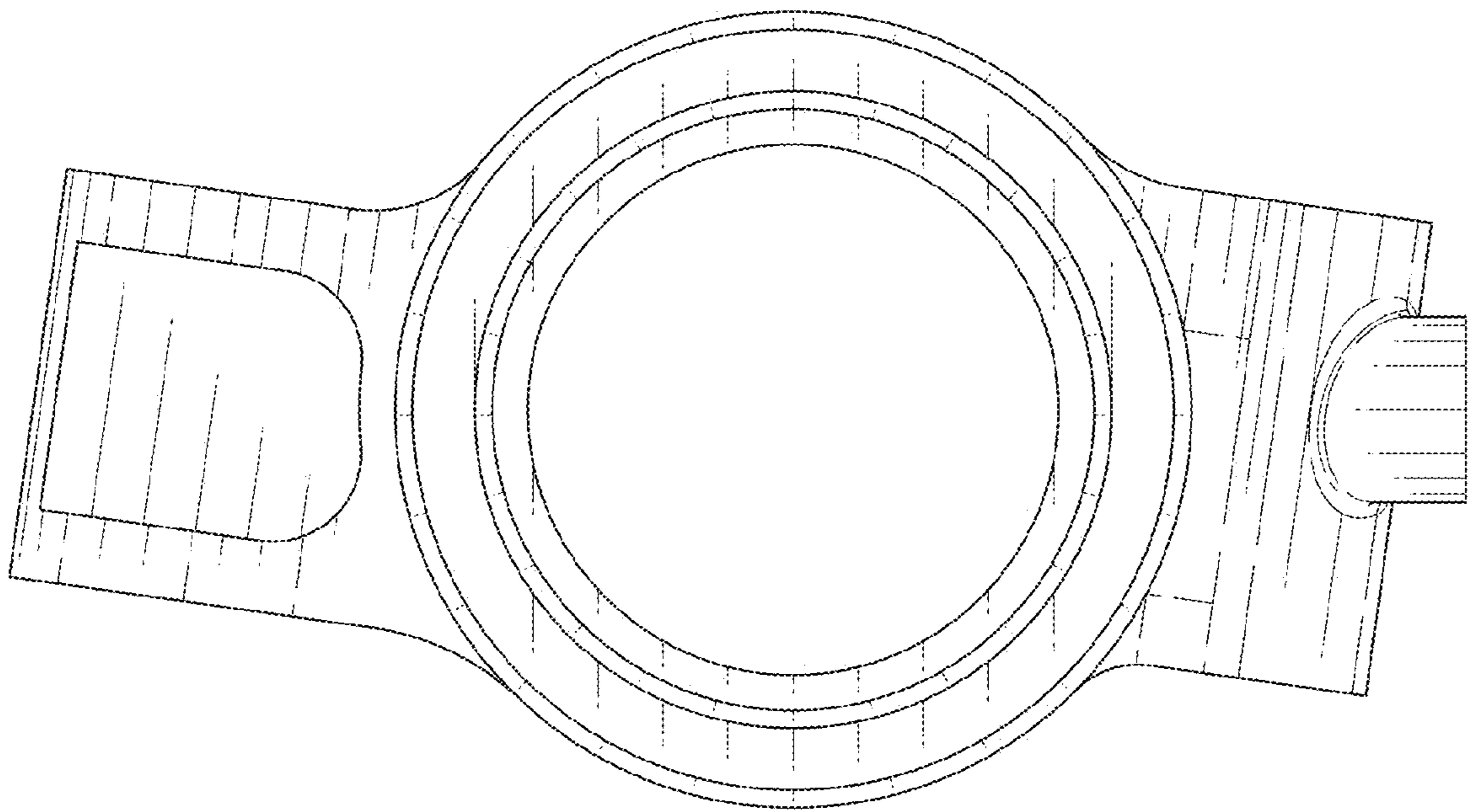


FIG. 6



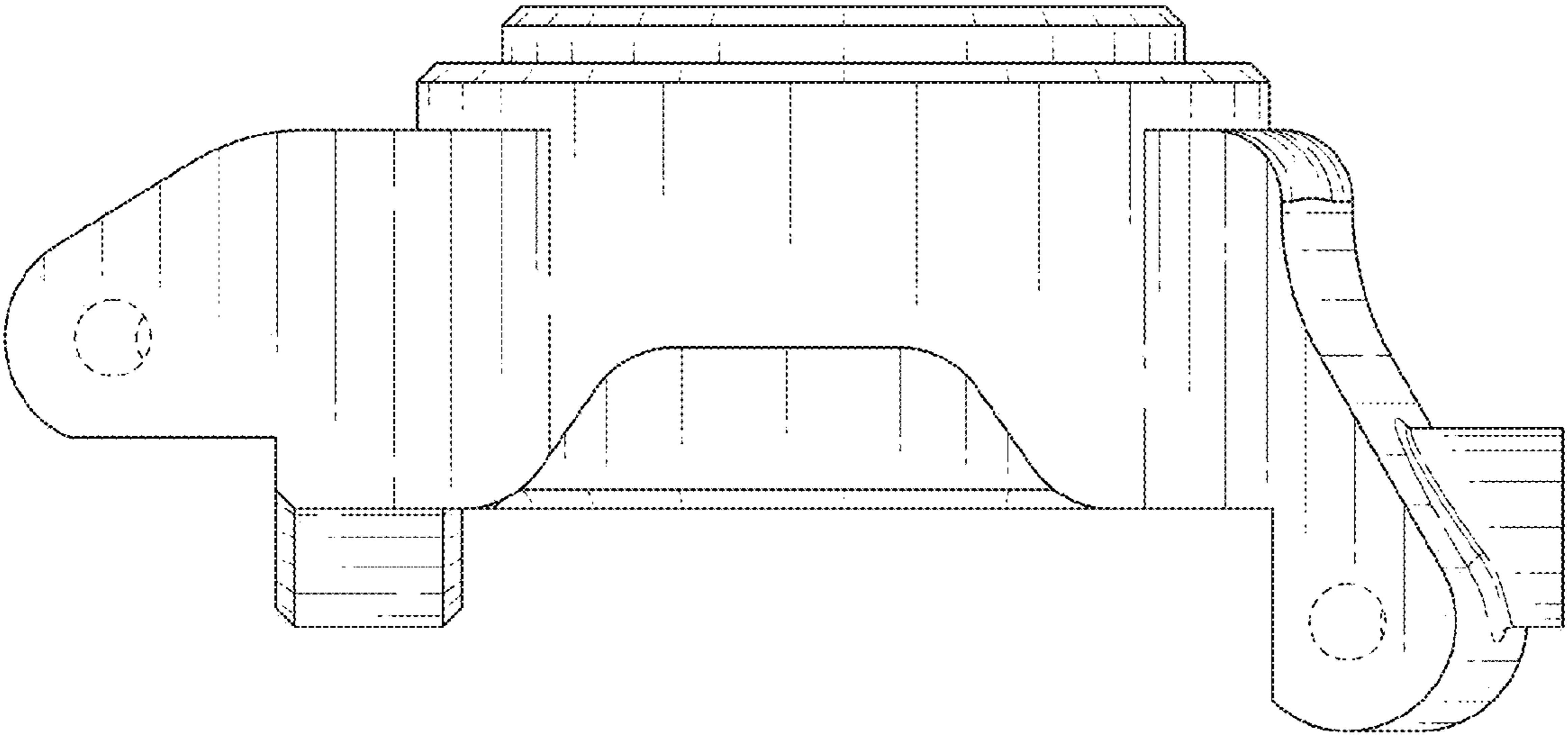


FIG. 7

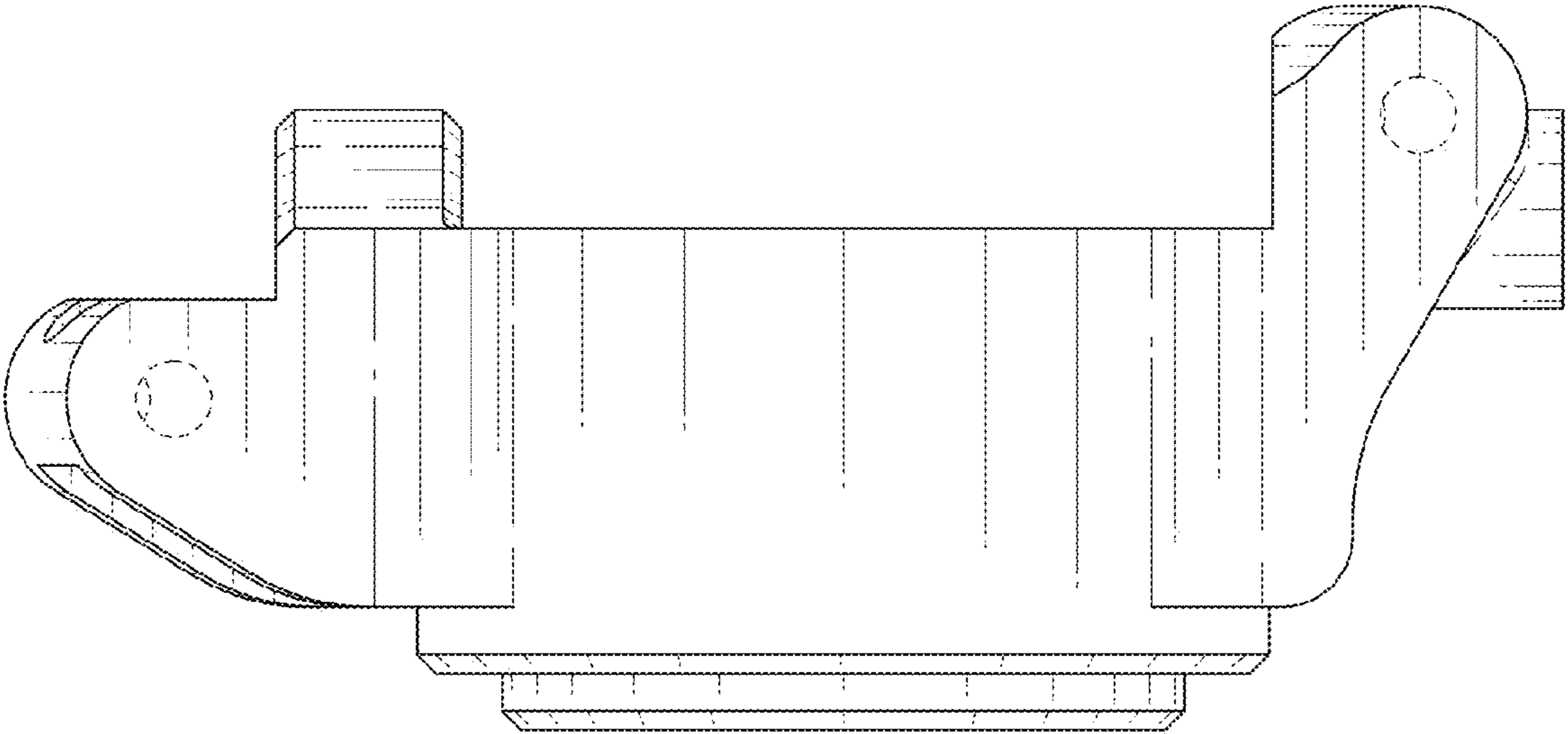


FIG. 8

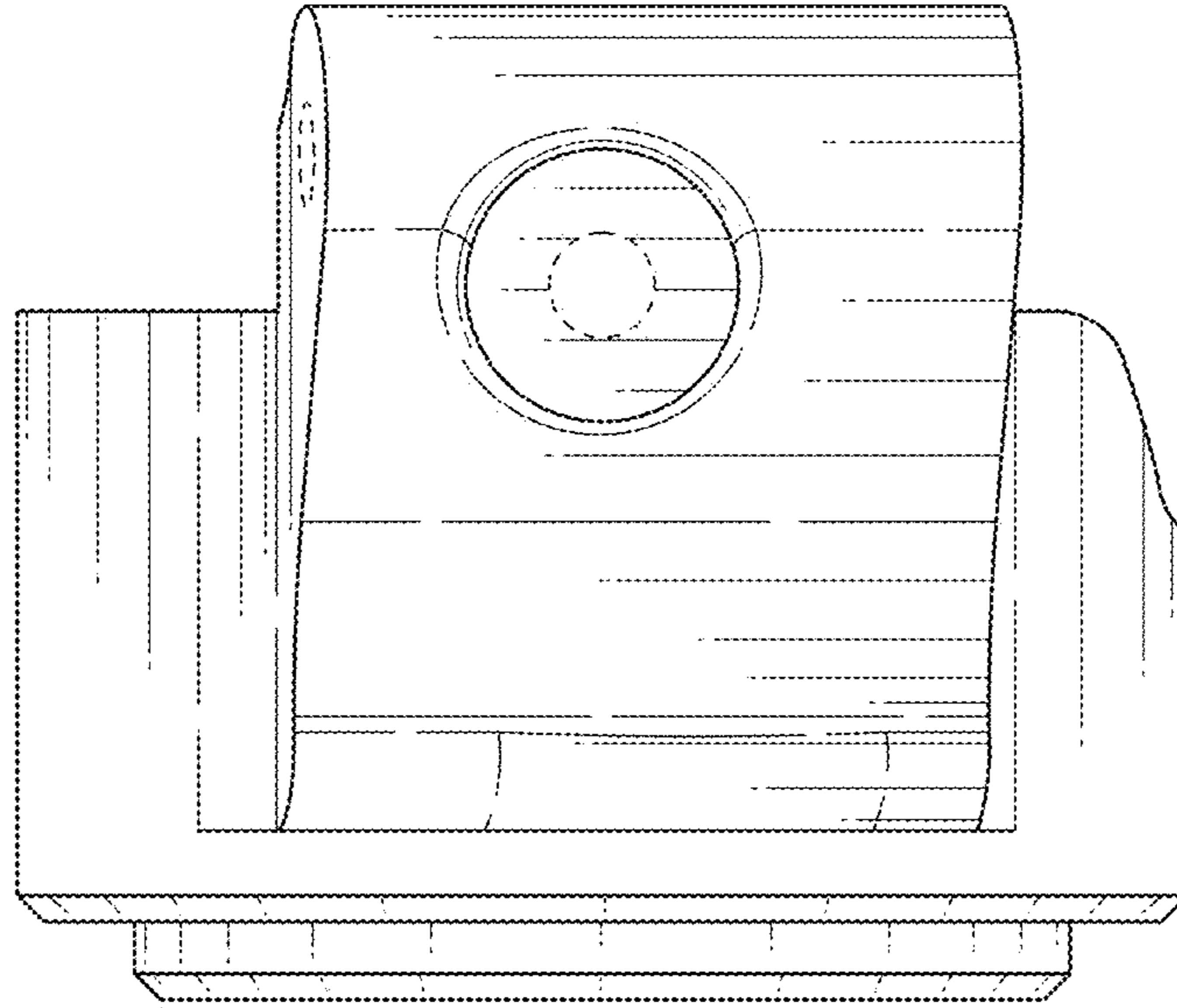


FIG. 10

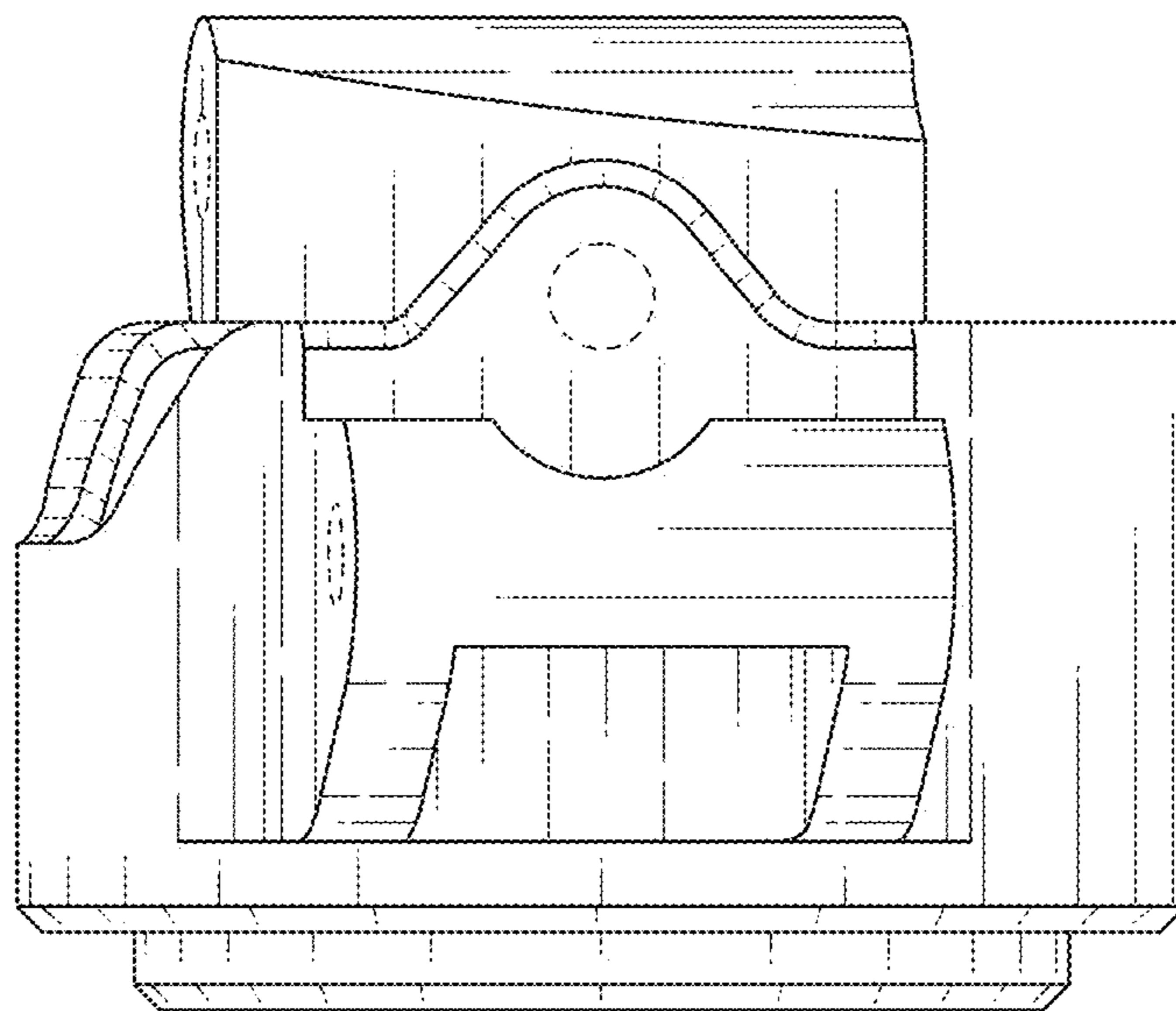


FIG. 9