



US0D1053018S

(12) **United States Design Patent** (10) **Patent No.:** **US D1,053,018 S**
Siegel et al. (45) **Date of Patent:** **** Dec. 3, 2024**

- (54) **COSMETIC POWDER PACKAGE**
- (71) Applicant: **Fusion Packaging I, LP**, Dallas, TX (US)
- (72) Inventors: **Nils Ernst Alfons Siegel**, New York, NY (US); **Shaocheng Ma**, Branchburg, NJ (US); **Alex Moskvin**, Port Jefferson Station, NJ (US)
- (73) Assignee: **Fusion Packaging I, LLC**, Dallas, TX (US)
- (**) Term: **15 Years**
- (21) Appl. No.: **29/714,739**
- (22) Filed: **Nov. 25, 2019**
- (51) **LOC (14) Cl.** **28-02**
- (52) **U.S. Cl.**
USPC **D28/8; D28/76; D9/737; D9/424**
- (58) **Field of Classification Search**
USPC D3/201, 206, 273, 294, 295, 298, 901; D7/602, 701, 703; D9/414, 418, 420, D9/423, 430, 432, 434, 456, 499, 732, D9/737, 761, 756, 424; D28/8, 73, 76, D28/78, 82, 83
CPC A45D 33/20
See application file for complete search history.

- D525,748 S * 7/2006 Colne D28/82
- D545,187 S * 6/2007 Kutsch D9/422
- D554,805 S * 11/2007 Moon D28/84
- D733,565 S * 7/2015 Leventhal D28/83

FOREIGN PATENT DOCUMENTS

JP 5288232 B2 9/2013

OTHER PUBLICATIONS

La Bomb Highlighter, available Apr. 10, 2024, [online], [site visited Apr. 10, 2024]. Available from internet, URL: <https://a.co/d/aN27s23> (Year: 2024).*

* cited by examiner

Primary Examiner — W. A. Teddy Falloway
Assistant Examiner — Amanda Kay Birdwell
(74) *Attorney, Agent, or Firm* — Carrington, Coleman, Sroman & Blumenthal, L.L.P.

(57) **CLAIM**

The ornamental design for the cosmetic powder package, as shown and described.

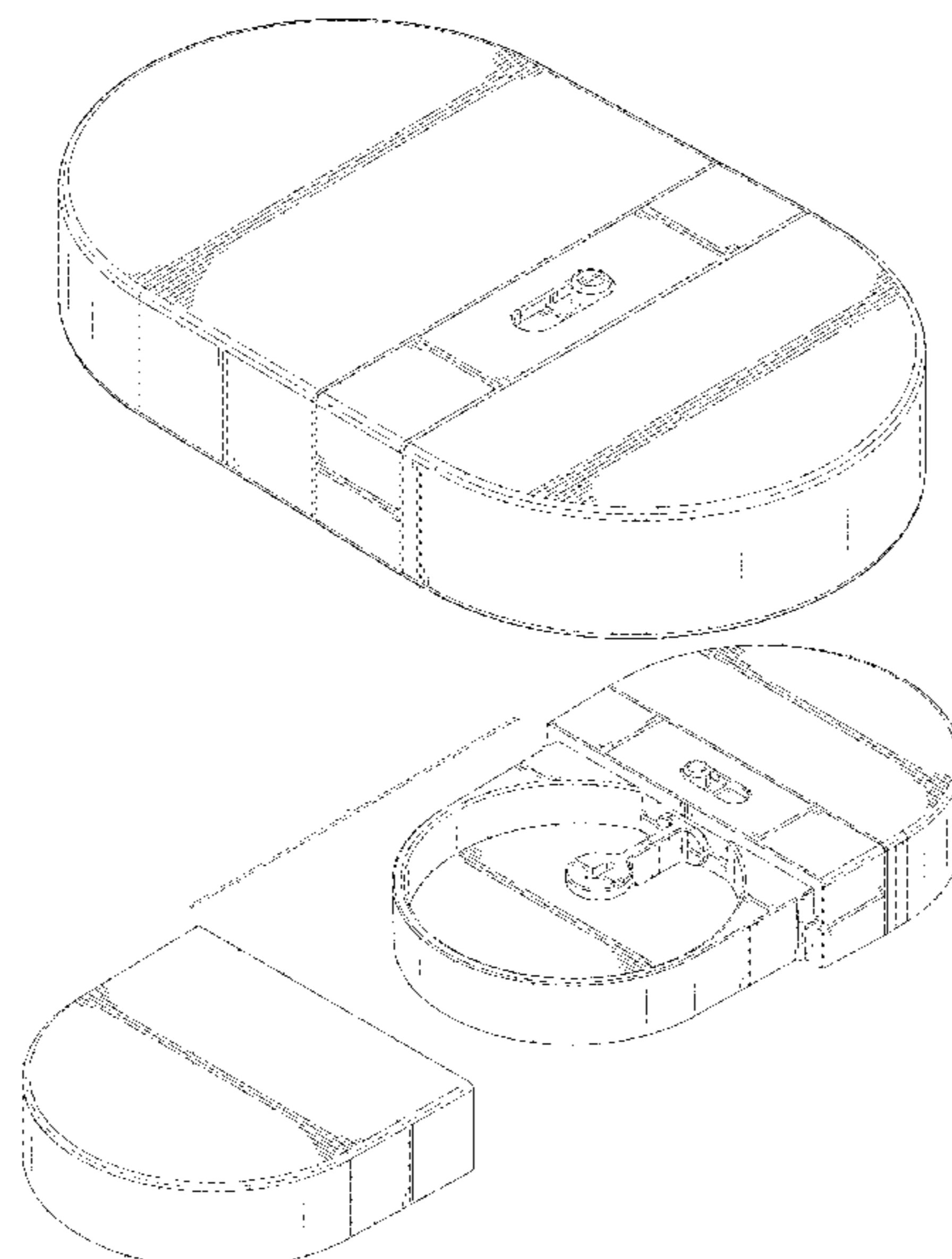
DESCRIPTION

FIG. 1 is a front perspective view of the new design of a cosmetic powder package.
FIG. 2 is a front elevation view of FIG. 1.
FIG. 3 is a rear elevation view of FIG. 1.
FIG. 4 is a right side view of FIG. 1.
FIG. 5 is a left side view of FIG. 1.
FIG. 6 is a top view of FIG. 1.
FIG. 7 is a bottom view of FIG. 1.
FIG. 8 is an exploded front perspective view of FIG. 1 with the cap removed from one end of the package; and, FIG. 9 is an exploded rear perspective view thereof.

1 Claim, 7 Drawing Sheets

(56) **References Cited**
U.S. PATENT DOCUMENTS

- D268,618 S * 4/1983 Napolitane D28/83
- D293,837 S * 1/1988 Simonetti D28/83
- D304,352 S * 10/1989 Ukisu D9/652
- 5,398,706 A * 3/1995 Epstein A45D 40/24
132/273
- 5,549,199 A * 8/1996 Lindsay G11B 33/0427
- D407,591 S * 4/1999 Bologna D6/627
- D433,191 S * 10/2000 Adachi D28/83
- D442,744 S * 5/2001 Goswell D28/82



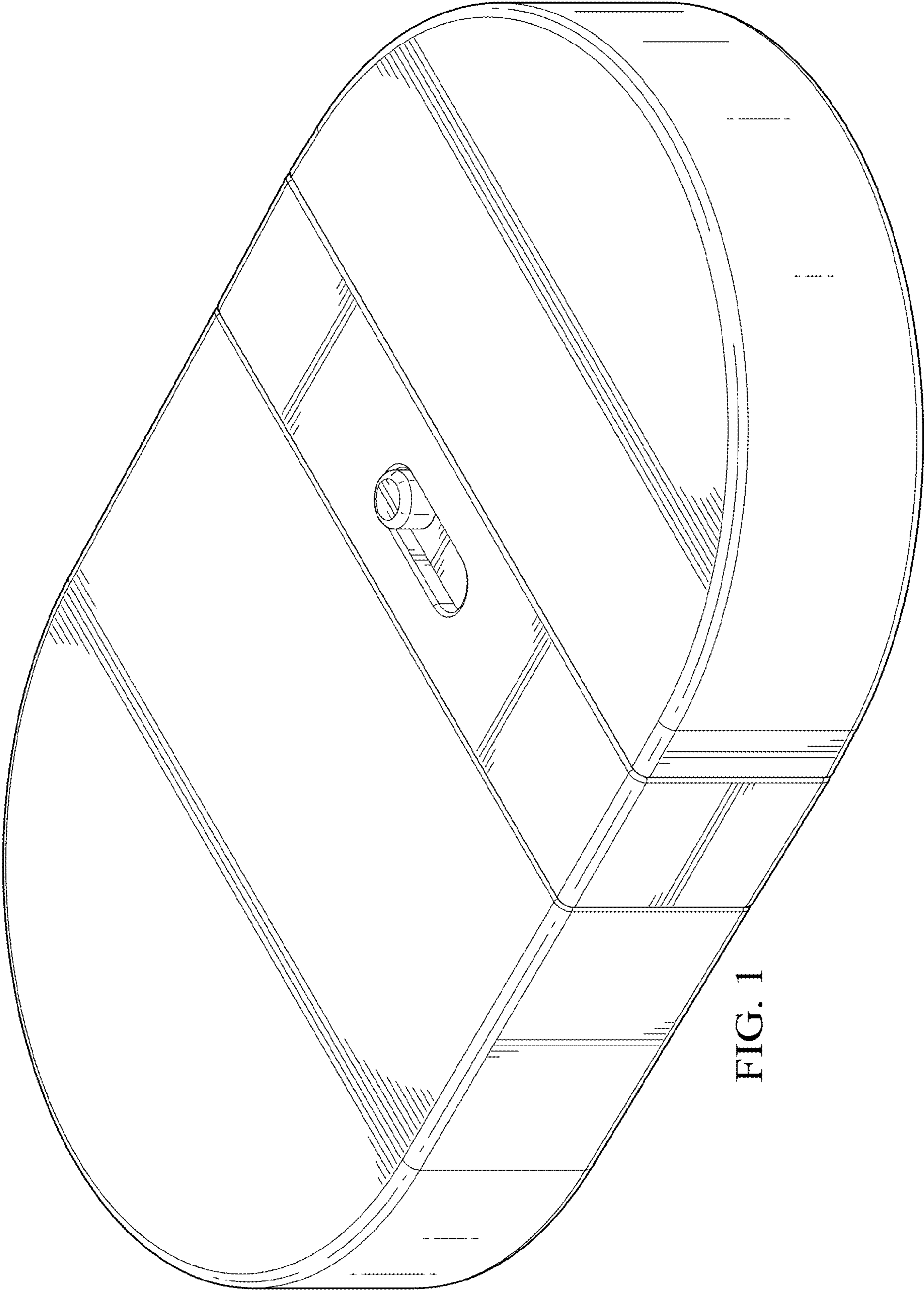


FIG. 1

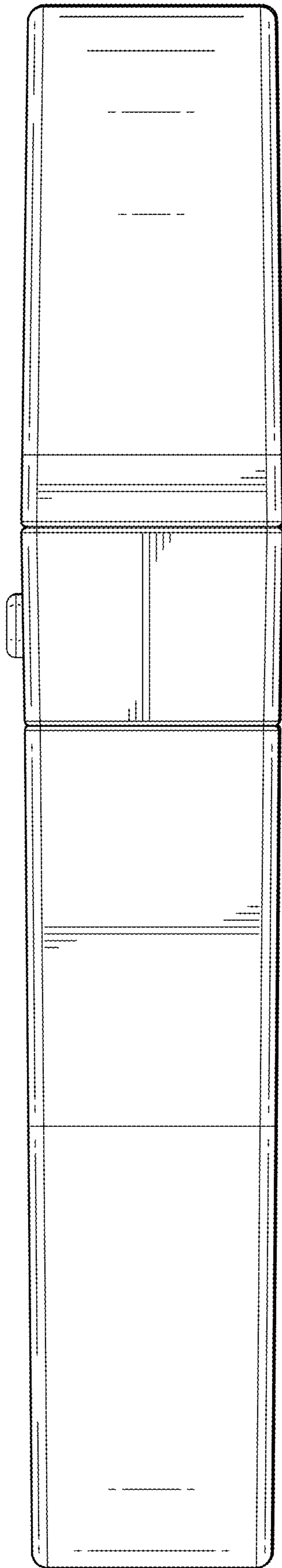


FIG. 2

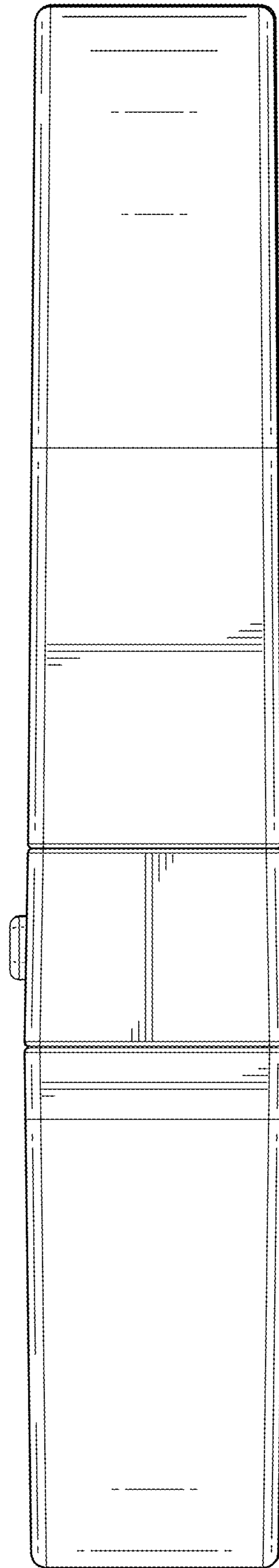


FIG. 3

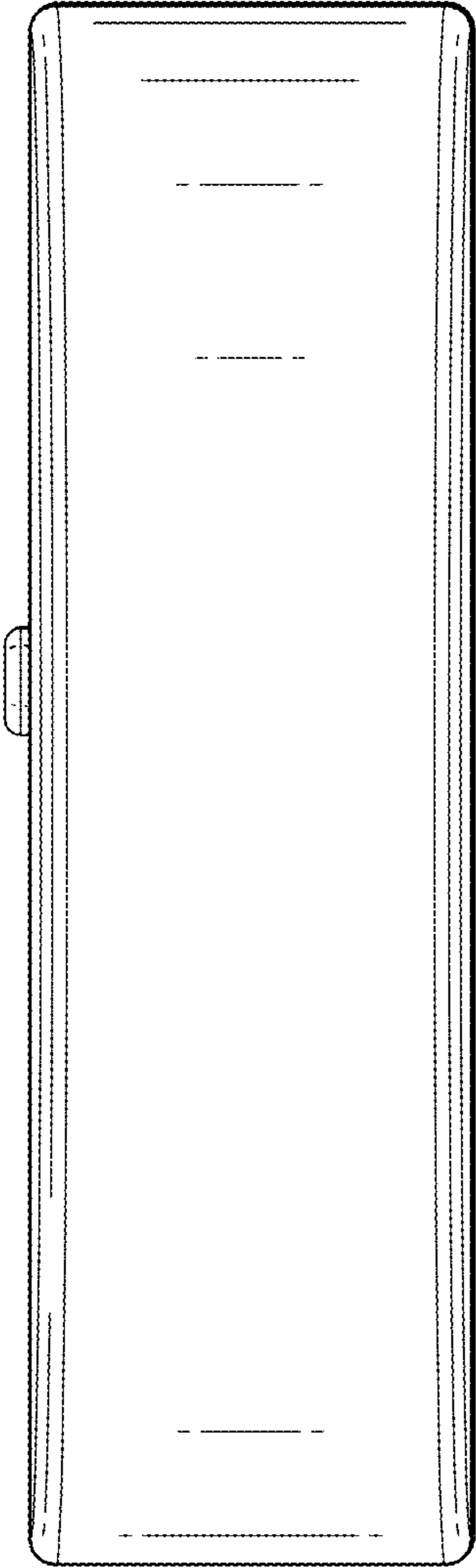


FIG. 4

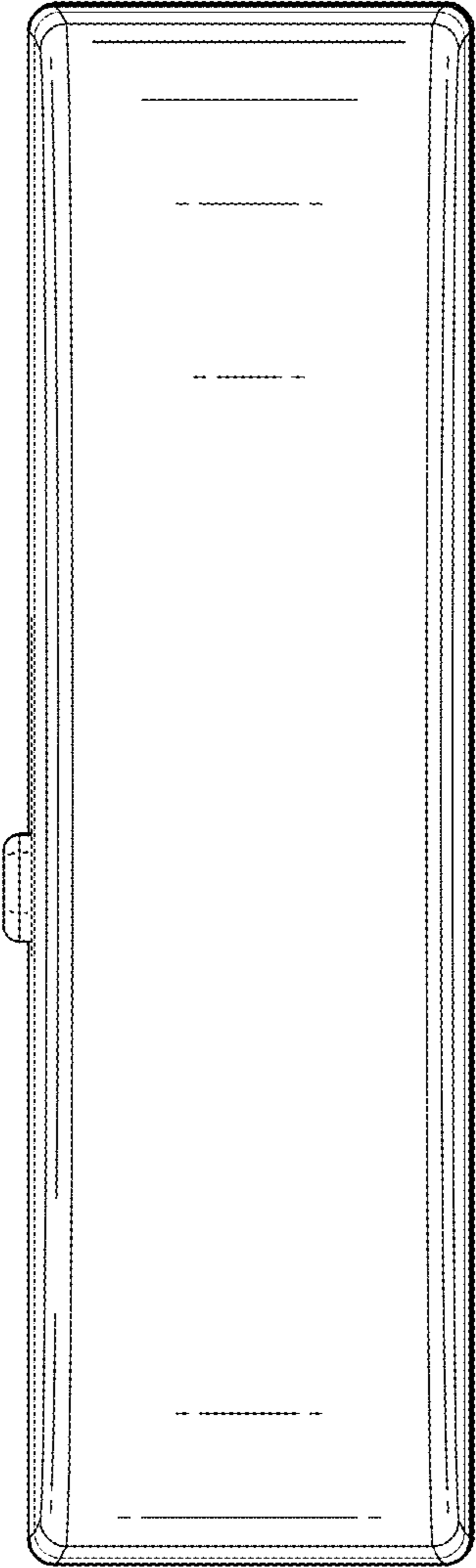


FIG. 5

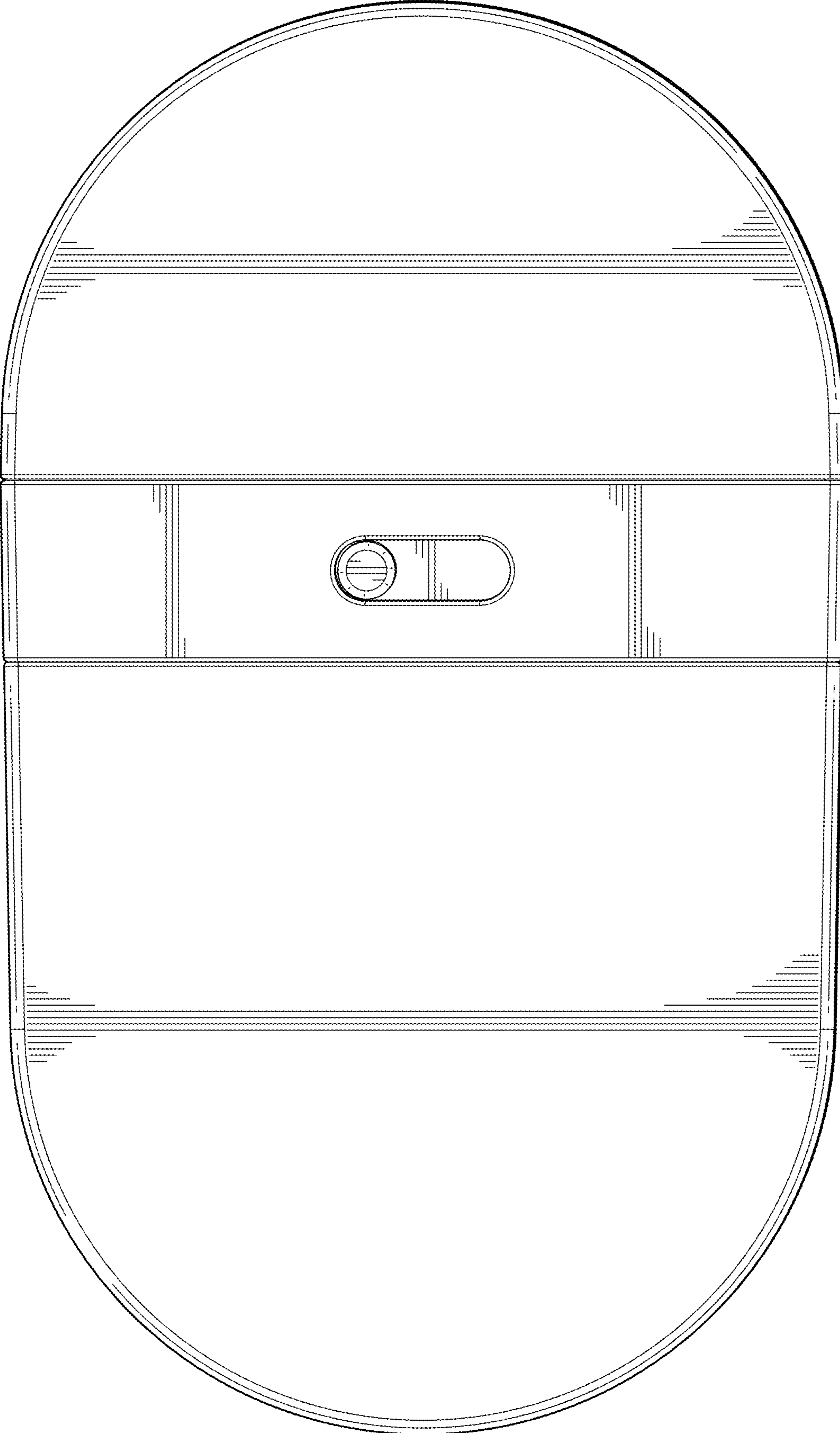


FIG. 6

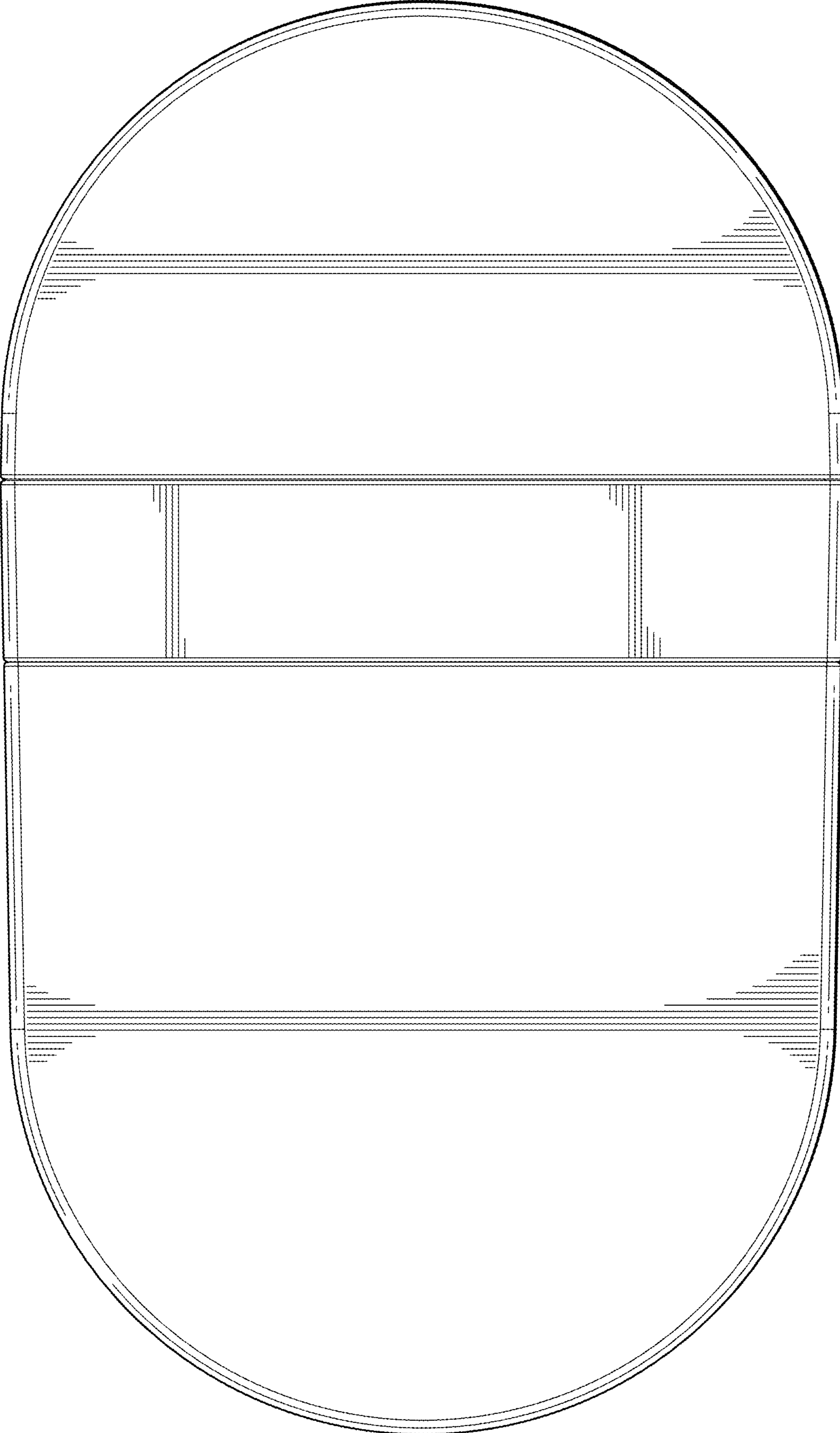


FIG. 7

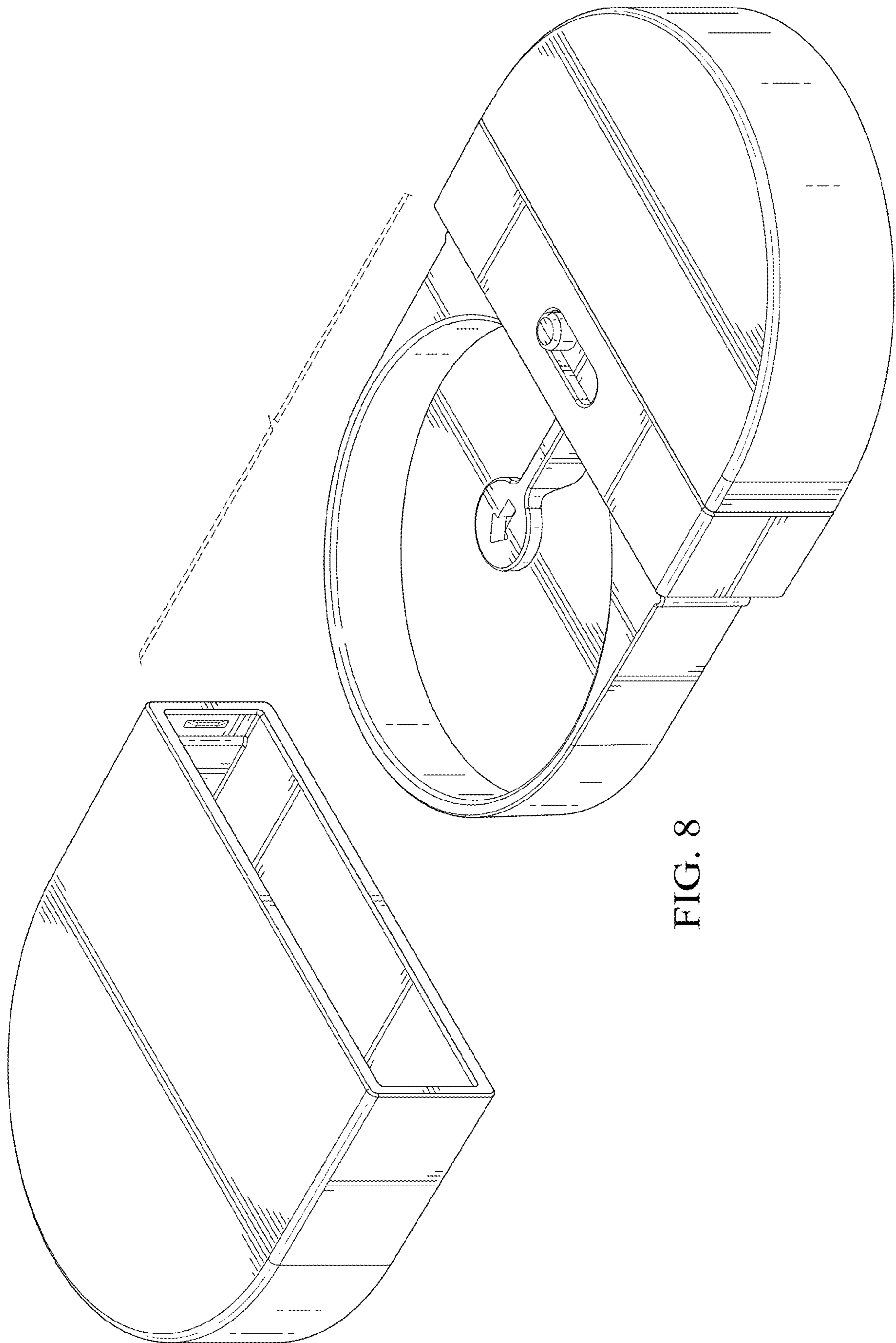


FIG. 8

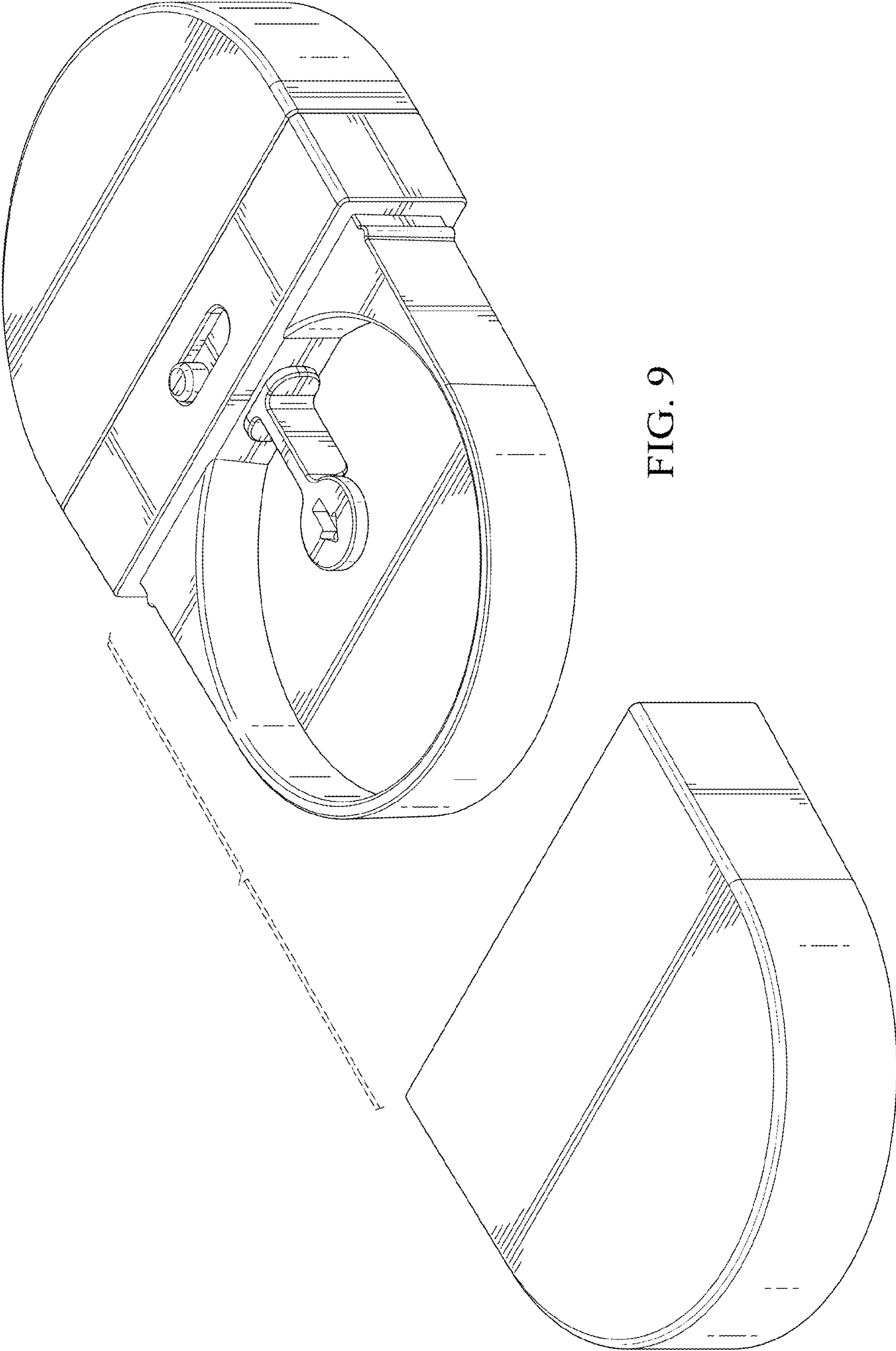


FIG. 9