



US0D1052922S

(12) **United States Design Patent** (10) **Patent No.:** **US D1,052,922 S**  
**Steelman** (45) **Date of Patent:** **\*\* Dec. 3, 2024**

- (54) **SOAP DISH**
- (71) Applicant: **Addison Steelman**, Corinth, TX (US)
- (72) Inventor: **Addison Steelman**, Corinth, TX (US)
- (73) Assignee: **SimplyFortuity LLC**, Flower Mound, TX (US)
- (\*\*) Term: **15 Years**
- (21) Appl. No.: **29/943,770**
- (22) Filed: **May 23, 2024**

D390,395 S \* 2/1998 Forcella, Jr. .... D6/536  
 D397,267 S \* 8/1998 Scott ..... D6/536  
 D408,187 S 4/1999 Forcella, Jr.  
 (Continued)

**FOREIGN PATENT DOCUMENTS**

CN 302721805 \* 1/2014  
 CN 305958547 \* 7/2020  
 (Continued)

**OTHER PUBLICATIONS**

Draining Soap Dish, posted unknown [online], [retrieved Sep. 11, 2024]. Retrieved from internet, <https://www.etsy.com/listing/714379980/soap-dish-draining-soap-dish-soap-holder> (Year: 2024).  
 (Continued)

*Primary Examiner* — Cynthia Ramirez  
*Assistant Examiner* — Jeremy S. Swartz  
 (74) *Attorney, Agent, or Firm* — Dunlap Bennett & Ludwig, PLLC; Anna L. Kinney

**Related U.S. Application Data**

- (63) Continuation of application No. 29/790,678, filed on Dec. 8, 2021, now Pat. No. Des. 1,033,966.
- (51) **LOC (14) Cl.** ..... **23-08**
- (52) **U.S. Cl.**  
USPC ..... **D6/536**
- (58) **Field of Classification Search**  
USPC ..... D6/536, 537, 512, 524, 538, 539, 540;  
D28/73, 76; 206/77.1; 211/68, 70, 71,  
211/88; 248/311.2, 309.1, 314  
CPC ..... B65D 83/00; A61Q 19/00; A47K 1/08;  
A47K 5/02  
See application file for complete search history.

(57) **CLAIM**

The ornamental design for a soap dish, as shown and described.

**DESCRIPTION**

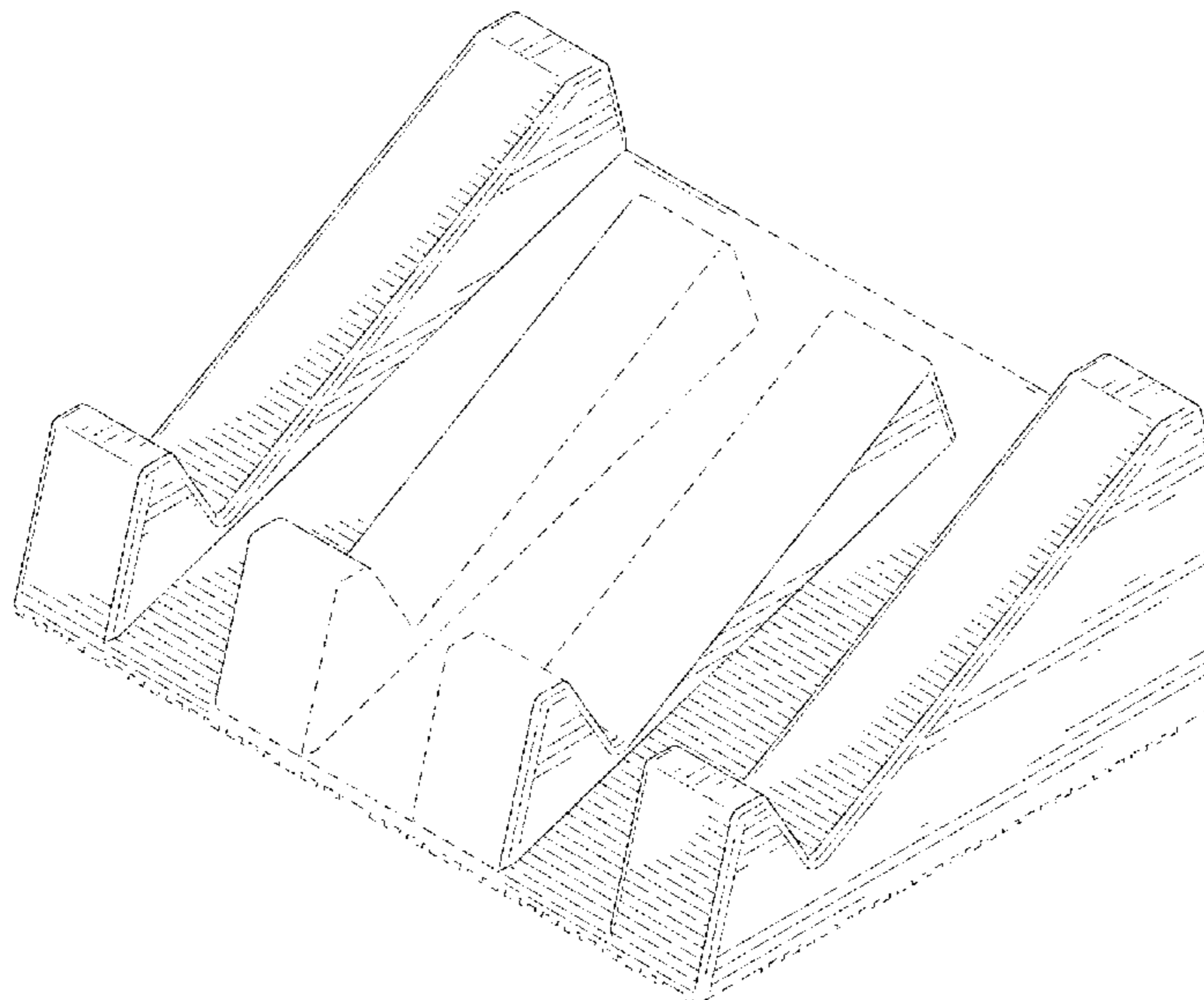
FIG. 1 is a top front perspective view of a soap dish, showing my new design;  
 FIG. 2 is bottom front perspective view thereof;  
 FIG. 3 is a front elevation view thereof;  
 FIG. 4 is a rear elevation view thereof;  
 FIG. 5 is a top plan view thereof;  
 FIG. 6 is a bottom plan view thereof; and,  
 FIG. 7 is a right side elevation view thereof, with the left side elevation view being a mirror image thereof.  
 The broken lines shown in the drawings depict portions of the article that form no part of the claimed design.

**1 Claim, 4 Drawing Sheets**

(56) **References Cited**

**U.S. PATENT DOCUMENTS**

D130,579 S \* 12/1941 Dreyfuss ..... D6/536  
 D154,646 S 7/1949 Travis  
 D174,598 S 4/1955 Russell  
 D240,784 S 8/1976 Beauchamp  
 4,331,232 A \* 5/1982 Larkin ..... A47K 5/03  
D6/540  
 D286,354 S 10/1986 Bussell  
 4,993,546 A 2/1991 Southard  
 D385,137 S 10/1997 von Seidel  
 D386,029 S \* 11/1997 Hsu ..... D6/536



(56)

References Cited

U.S. PATENT DOCUMENTS

D666,041	S	*	8/2012	Hwang	.....	D6/536
D704,954	S		5/2014	Lee		
D854,853	S	*	7/2019	Bearsch	.....	D23/304
D866,218	S	*	11/2019	Klieman	.....	D6/536
D874,845	S	*	2/2020	Goodman	.....	D6/536
D1,007,892	S	*	12/2023	Liao	.....	D6/536
D1,033,966	S	*	7/2024	Steelman	.....	D6/536
D1,037,702	S	*	8/2024	Thurswell	.....	D6/536

FOREIGN PATENT DOCUMENTS

GB	2057372		10/1996
GB	6105672		11/2020
GB	6116868		2/2021
GB	6195720	*	3/2022
GB	6287564	*	7/2023
GB	6355285	*	4/2024
HK	2219323.1		3/2022
JP	D1491304	*	1/2014
KR	301222421.0000	*	7/2023

OTHER PUBLICATIONS

Concrete Draining Soap Dish, posted unknown [online], [retrieved Sep. 11, 2024]. Retrieved from internet, <https://www.etsy.com/listing/1447223315/concrete-draining-soap-dish-bar-soap> (Year: 2024).\*

2 Packs Bamboo Soap Dish Bamboo Soap Holder, posted Apr. 1, 2022 [online], [retrieved Sep. 11, 2024]. Retrieved from internet, <https://www.amazon.com/Bamboo-Draining-Bathroom-Kitchen-Countertop/dp/B09WZV38WD> (Year: 2022).\*

Aixiaoya Silicone Soap Dish, posted Jul. 20, 2022 [online], [retrieved Sep. 11, 2024]. Retrieved from internet, <https://www.amazon.com/Silicone-Waterfall-Bathroom-Kitchen-Accessories/dp/B0B74HX3V7> (Year: 2022).\*

Boowan Nicole Soap Dish, posted Oct. 16, 2021 [online], [retrieved Sep. 11, 2024]. Retrieved from internet, <https://www.amazon.com/BOOWAN-NICOLE-Silicone-Bathroom-Draining/dp/B09JLSP513?th=1> (Year: 2021).\*

Subekyu Bamboo Soap Dish, posted Dec. 28, 2022 [online], [retrieved Sep. 11, 2024]. Retrieved from internet, <https://www.amazon.com/dp/B0BR7BQXCN?th=1> (Year: 2022).\*

Egwon Silicone Soap Dish, posted Dec. 6, 2023 [online], [retrieved Sep. 11, 2024]. Retrieved from internet, <https://www.amazon.com/EGWON-Silicone-Soap-Extended-Holder/dp/B0CPJ5RNQZ?th=1> (Year: 2023).\*

2 Pack Bamboo Wooden Soap Dish Holder, posted Apr. 10, 2021 [online], [retrieved Sep. 11, 2024]. Retrieved from internet, <https://www.amazon.com/draining-Bathroom-Kitchen-Sponges-Waterfall/dp/B08XYTSQM2?th=1> (Year: 2021).\*

Hancelant Soap Dish, posted Dec. 7, 2021 [online], [retrieved Sep. 11, 2024]. Retrieved from internet, <https://www.amazon.com/Silicone-Bathroom-Draining-Waterfall-Accessories/dp/B09N4596HX?th=1> (Year: 2021).\*

Coipdfly Soap Dishes, posted Nov. 11, 2023 [online], [retrieved Sep. 11, 2024]. Retrieved from internet, <https://www.amazon.com/Coipdfly-Soap-Waterfall-Self-Draining-Organized/dp/B0CLLJM361?th=1> (Year: 2023).\*

Silicone Soap Dish with Drain for Shower/Bathroom/Kitchen/Counter Top. (Dec. 9, 2021). Amazon. <https://www.amazon.com/dp/B09M7FRV9M>.

Soap Dish with Slanted Waterfall Design. (2023). Amazon. <https://www.amazon.com/HTB-Waterfall-Bathroom-Kitchen-Counter/dp/B07VXWMXWM?th=1>.

SunnyPoint Classic Kitchen, Bathroom Faux Marble Soap, Sponge Dish Drainer Holder. (2023). Walmart. <https://www.walmart.com/ip/SunnyPoint-Classic-Kitchen-Bathroom-Faux-Marble-Soap-Sponge-Dish-Drainer-Holder/1362938253>.

Silicone Soap Dish (USA Patented) Self Draining Bar Soap Holder for Shower Bathroom Sink, Drying Soap Dish Tray Kitchen Sponge Holder Easy Cleaning Soap Saver Mat. (Sep. 20, 2000). Amazon. <https://www.amazon.com/iSoapStone-Silicone-Waterfall-Dishwashing-Accessories/dp/B08YXHGMBA4?th=1>.

2Pcs Meye Self Draining Soap Dishes, Premium Silicone Soap Holder & Saver for Shower, Bathroom. (Jan. 22, 2020). Amazon. <https://www.amazon.com/Draining-Premium-Silicone-Bathroom-Kitchen/dp/B082VHRRPZ>.

2 Pieces Silicone Soap Dish Self Draining Soap Dish Shower Waterfall Bar Soap Holder Tray with Drain Soap Saver for Kitchen Bathroom Accessories (Light Grey)□: Home & Kitchen. (Nov. 17, 2021). Amazon. <https://www.amazon.com/Silicone-Draining-Waterfall-Bathroom-Accessories/dp/B09WMTXQ79?th=1>.

Samzareulo Samzareulo Silicone Soap Dish, posted Dec. 20, 2021 [online], [retrieved Sep. 26, 2023]. Retrieved from internet, <https://www.amazon.com/SAMZAREULO-Silicone-Soap-Saver-Holder/dp/B09NW5VYNR?th=1> (Year:2021). Of Record in parent application U.S. Appl. No. 29/790,678.

Magicfour self draining soap dish for shower, silicone shower soap holder with waterfall drainers small bar soap tray drying soap saveer for bathroom, Sink, bathtub(with 1 bubble net, grey). Amazon.ca:Home. (Nov. 11, 2021) Retrieved Jan. 28, 2022, from <https://www.amazon.ca/Magicfour-Draining-Silicone-Waterfall-Drainers/dp/B09LMC5WW5>.

Morelax Soap Dish with Drain Bar Soap Holder Self Draining for Shower Bathroom, Slanted Waterfall Soap Saver Tray, Kitchen Sink Caddy, Modern Bathroom Accessories Decor—White Marble. www. Amazon.com. (n.d.). Retrieved Jan. 28, 2022, from [https://www.amazon.com/Morelax-Holder-Waterfall-Bathroom-Kitchen/dp/B08RXZHP6Q/ref=cm\\_cr\\_ar\\_p\\_d\\_product\\_top?ie=UTF8&th=1](https://www.amazon.com/Morelax-Holder-Waterfall-Bathroom-Kitchen/dp/B08RXZHP6Q/ref=cm_cr_ar_p_d_product_top?ie=UTF8&th=1).

\* cited by examiner

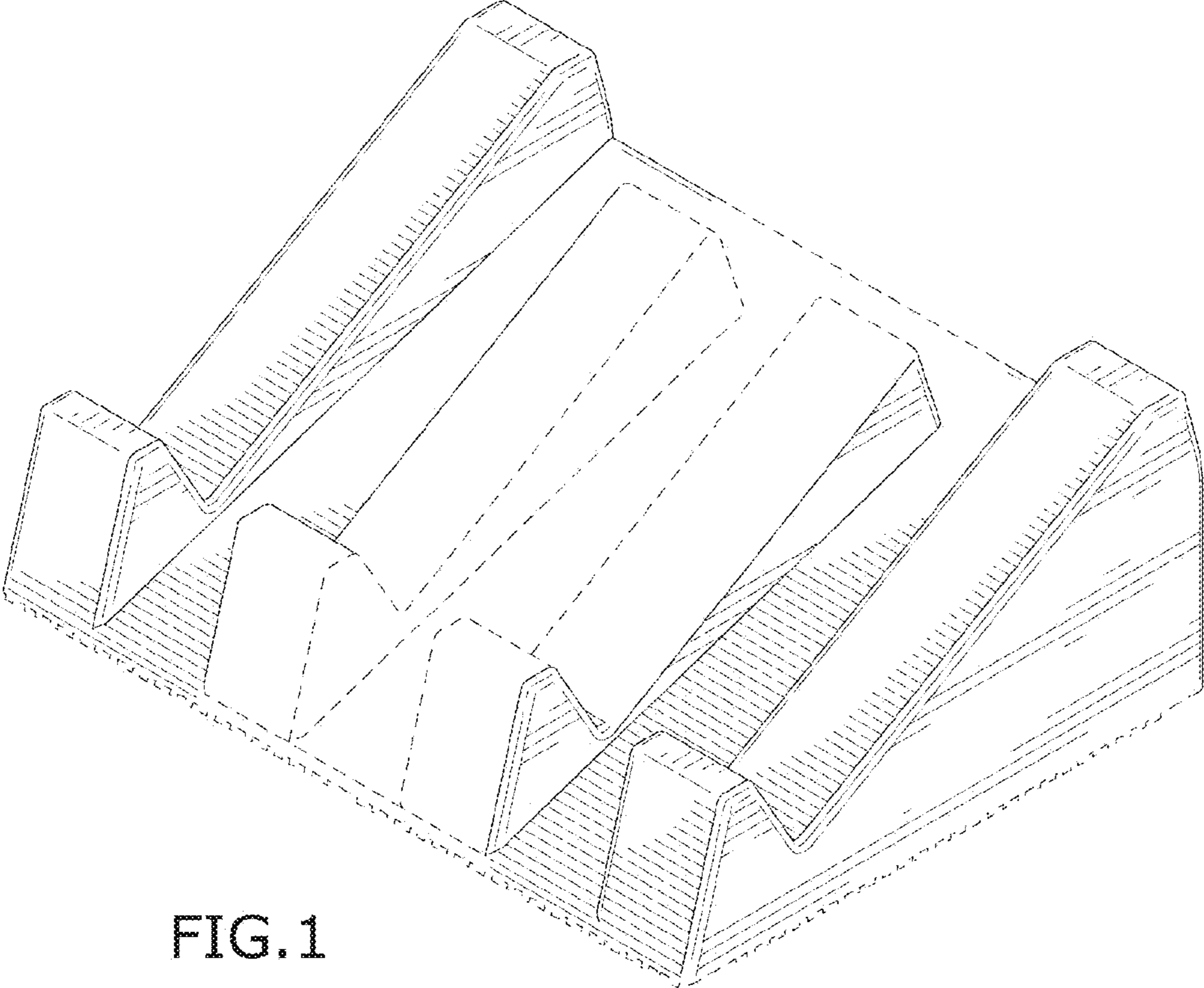


FIG. 1

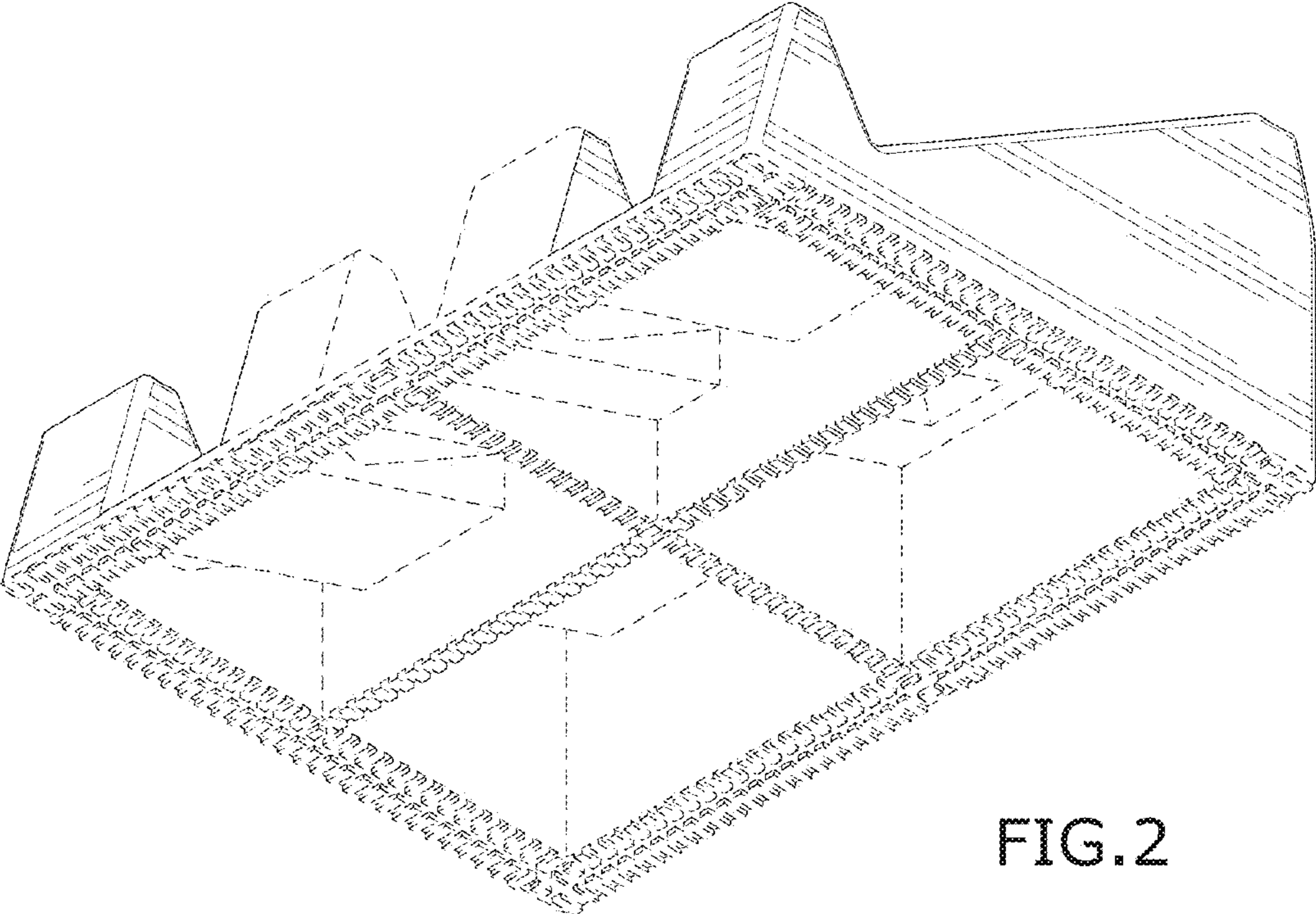


FIG. 2

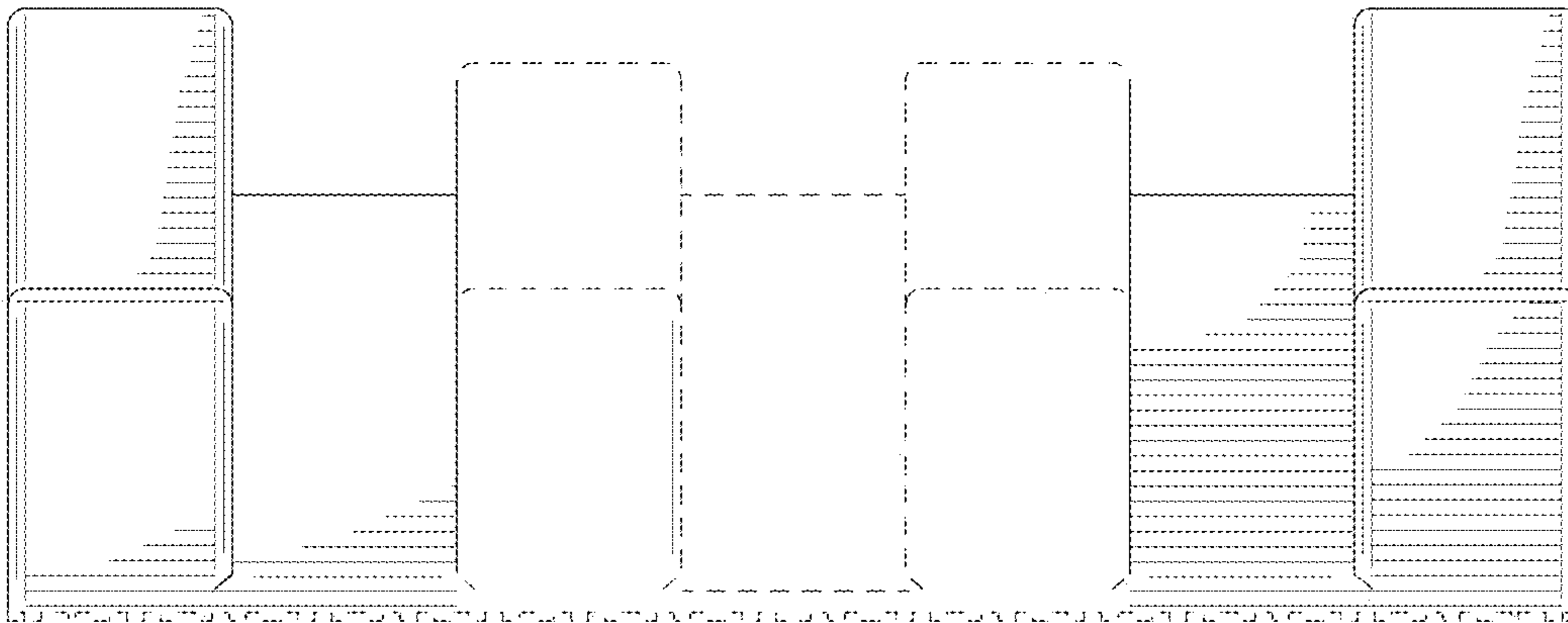


FIG. 3

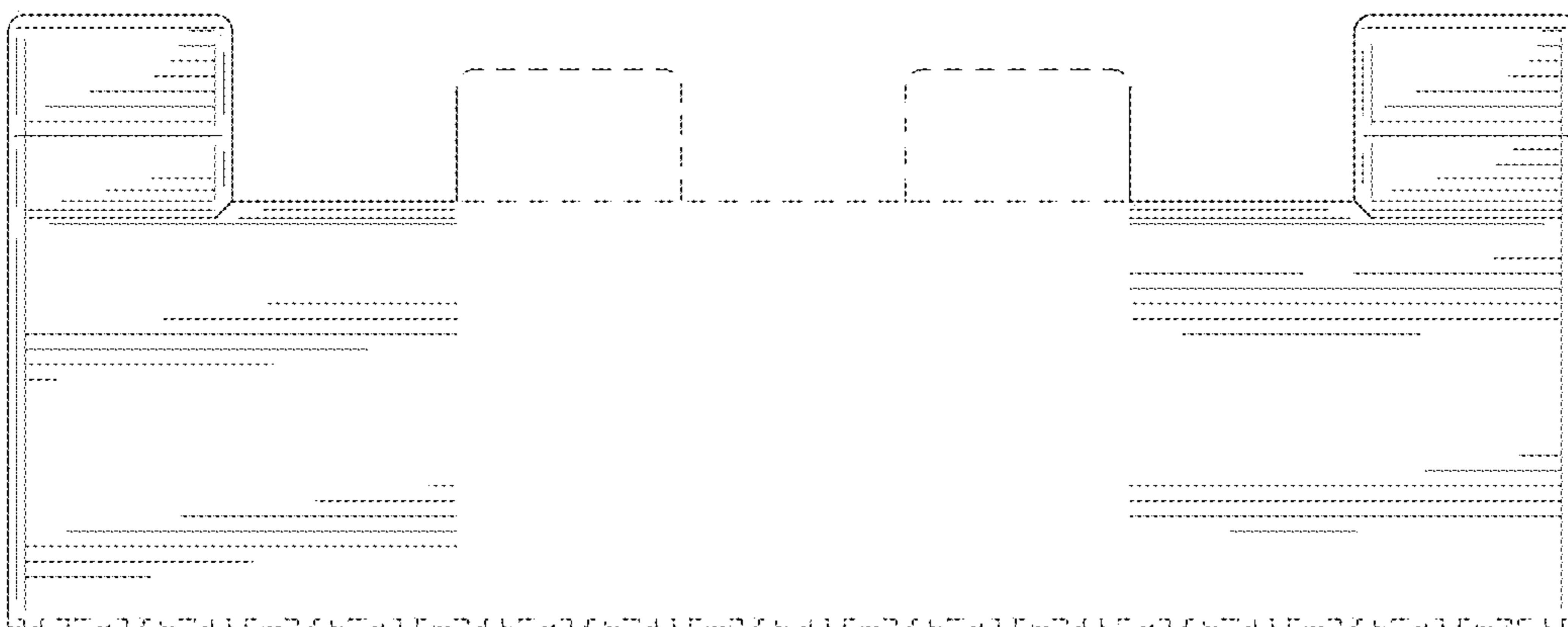


FIG. 4

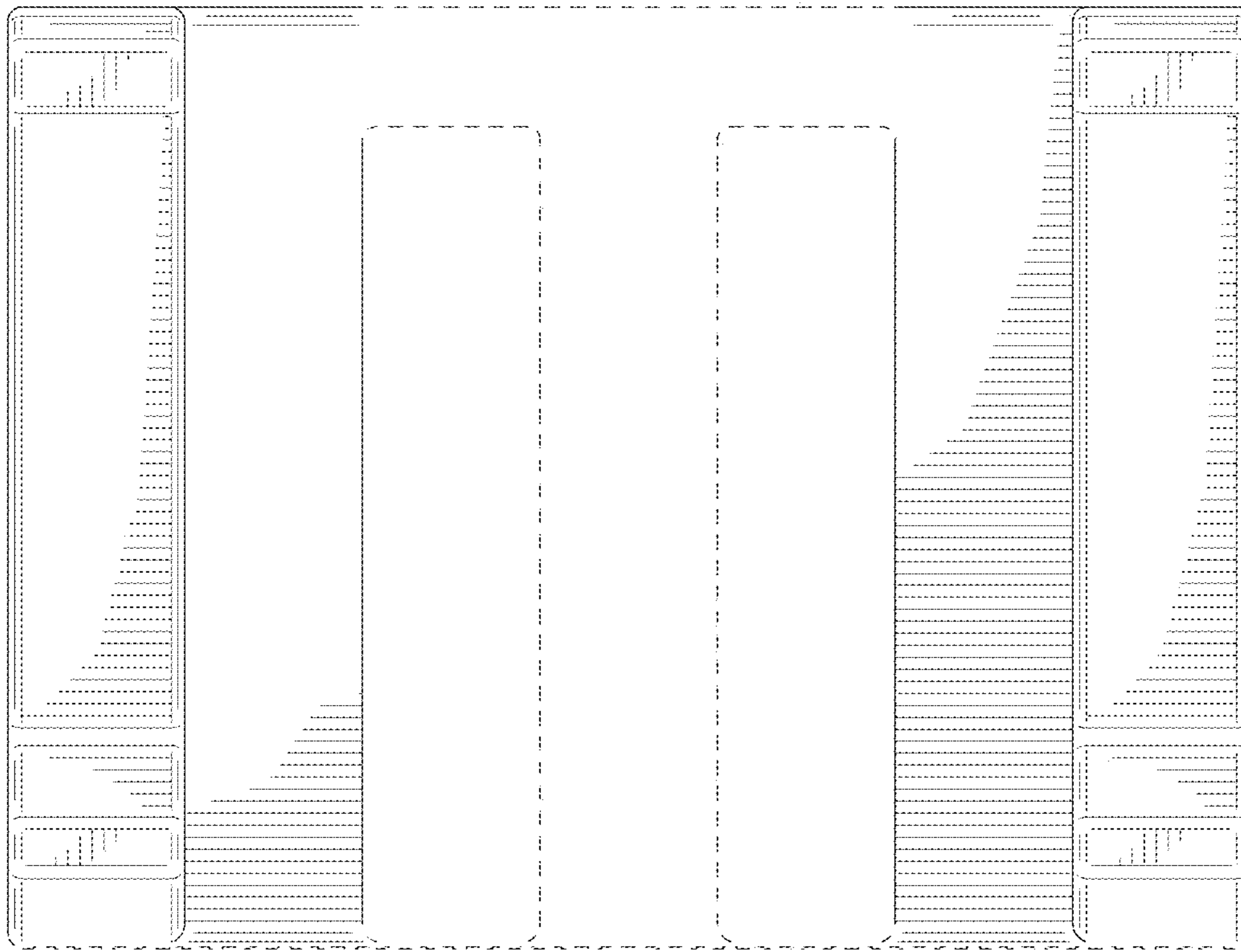


FIG. 5

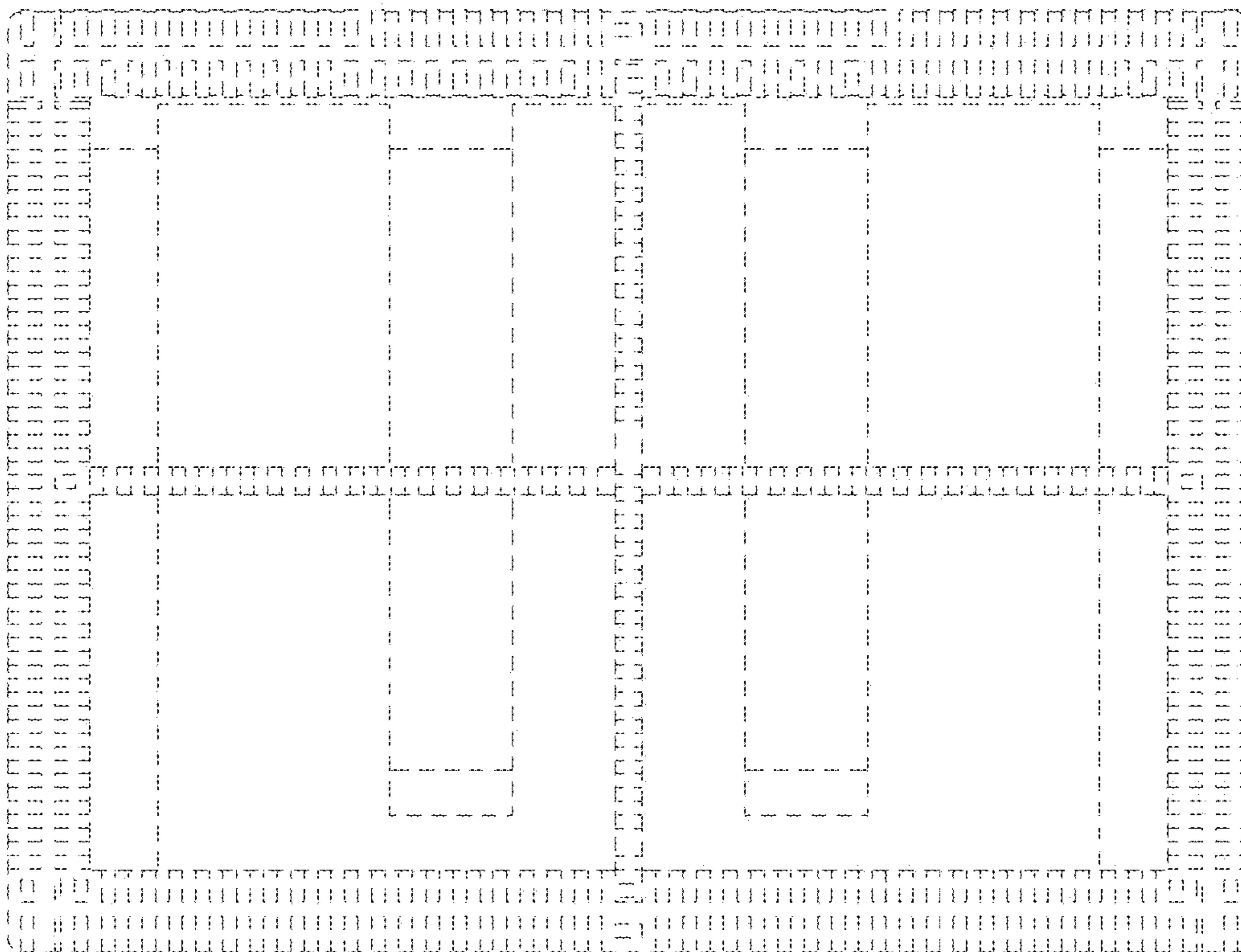


FIG. 6

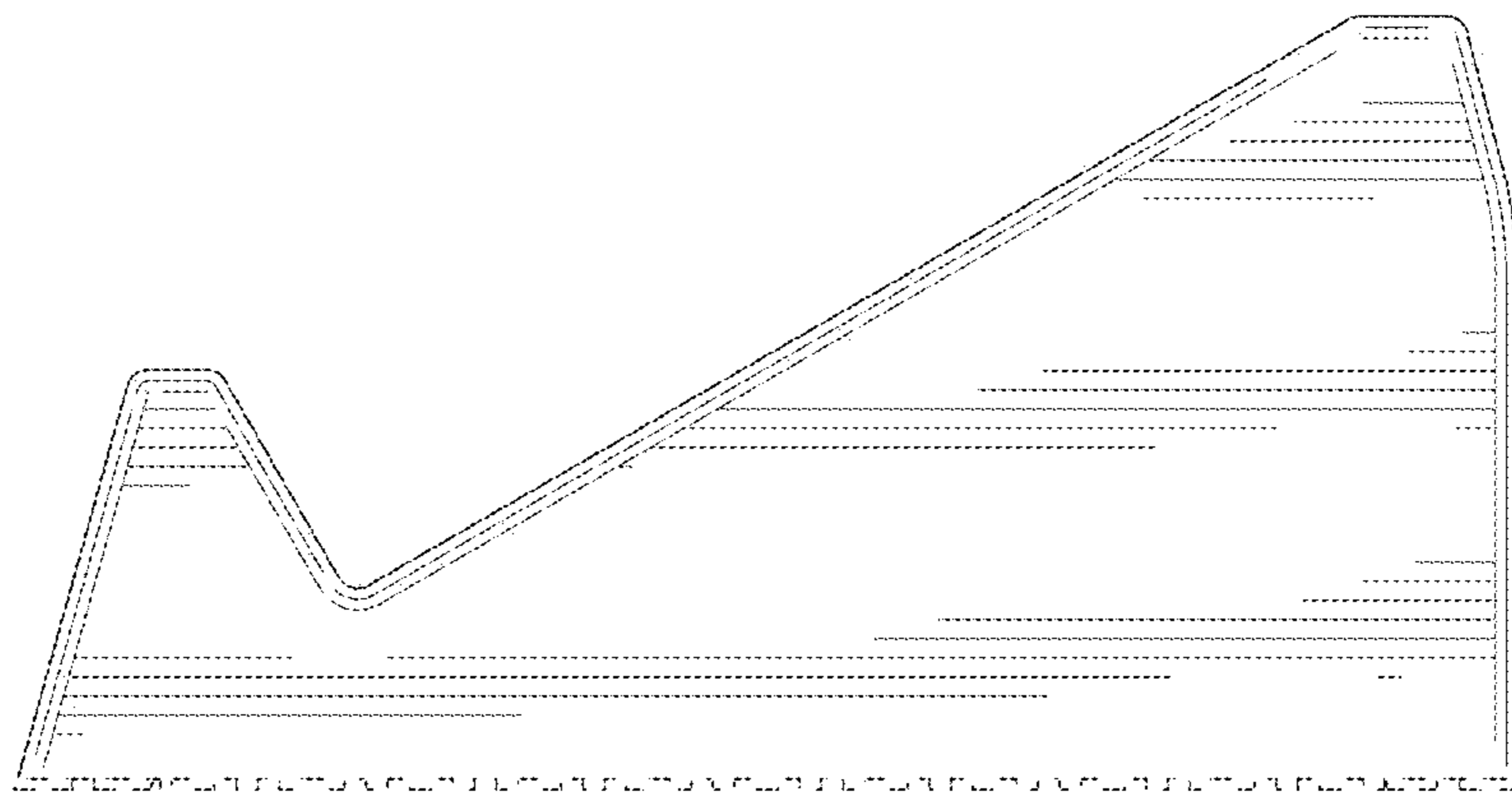


FIG. 7