



US0D1052832S

(12) **United States Design Patent**
Kim

(10) **Patent No.:** **US D1,052,832 S**

(45) **Date of Patent:** **** Nov. 26, 2024**

(54) **TRANSMITTER**

(71) Applicant: **D.T. Systems, Inc.**, Dallas, TX (US)

(72) Inventor: **Bryant Kim**, Dallas, TX (US)

(73) Assignee: **D.T. SYSTEMS, INC.**, Dallas, TX (US)

(**) Term: **15 Years**

(21) Appl. No.: **29/844,580**

(22) Filed: **Jun. 29, 2022**

(51) **LOC (14) Cl.** **30-99**

(52) **U.S. Cl.**
USPC **D30/199**; D10/104.1

(58) **Field of Classification Search**
USPC D13/168; D10/104.1, 106.1; D14/137,
D14/240, 218, 358; D30/144, 151, 152,
D30/199
CPC A01K 15/02; A01K 15/021; A01K 15/023;
A01K 15/04; A01K 27/009; A01K
11/006; G08B 21/0261; Y10S 119/908
See application file for complete search history.

(56) **References Cited**

U.S. PATENT DOCUMENTS

D482,630 S	*	11/2003	So	D30/199
D683,916 S	*	6/2013	So	D30/199
D685,757 S	*	7/2013	Liu	D14/155
D771,327 S	*	11/2016	Hu	D10/104.1
D835,861 S	*	12/2018	Li	D30/199
D897,057 S	*	9/2020	Jia	D10/104.1

D919,905 S	*	5/2021	Wang	D10/104.1
D949,493 S	*	4/2022	Luo	D10/104.1
D961,863 S	*	8/2022	Zhu	D10/104.1
D963,266 S	*	9/2022	Mo	D10/104.1
D975,385 S	*	1/2023	Wang	D10/104.1
D990,073 S	*	6/2023	Li	D10/104.1
D990,075 S	*	6/2023	Li	D10/104.1
D995,956 S	*	8/2023	Li	D10/104.1
D1,022,353 S	*	4/2024	Ye	D10/104.1
2013/0076516 A1	*	3/2013	So	A01K 15/02 340/573.3
2013/0239905 A1	*	9/2013	Kim	A01K 15/023 119/720
2017/0208775 A1	*	7/2017	Van Curen	A01K 15/022
2020/0015456 A1	*	1/2020	Van Curen	A01K 15/022

* cited by examiner

Primary Examiner — Selina Sikder

(74) *Attorney, Agent, or Firm* — Stephen Y. Liu;
Carstens, Allen & Gourley, LLP

(57) **CLAIM**

The ornamental design for a transmitter, as shown and described.

DESCRIPTION

FIG. 1 is a front perspective view of the transmitter;
FIG. 2 is a front view thereof;
FIG. 3 is a rear view thereof;
FIG. 4 is a left side view thereof;
FIG. 5 is a right side view thereof;
FIG. 6 is a top view thereof; and,
FIG. 7 is a bottom view thereof.

1 Claim, 6 Drawing Sheets



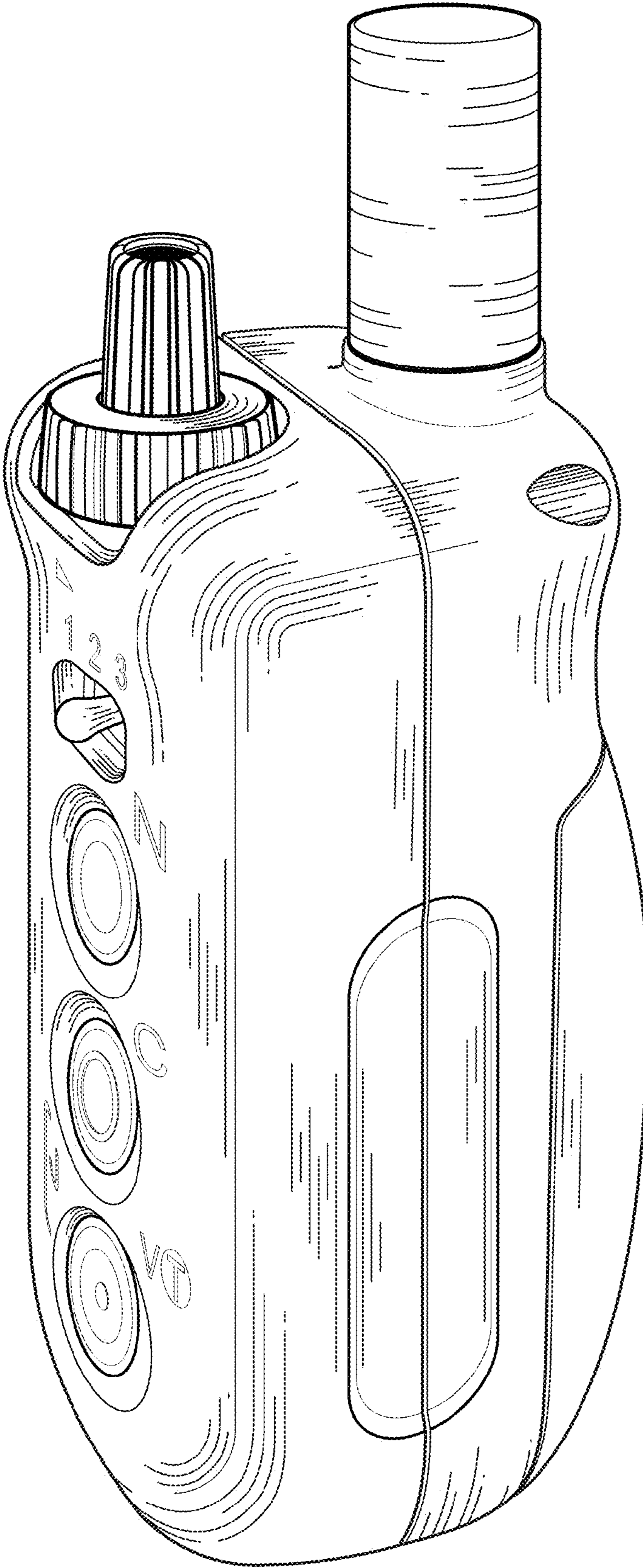


Fig. 1

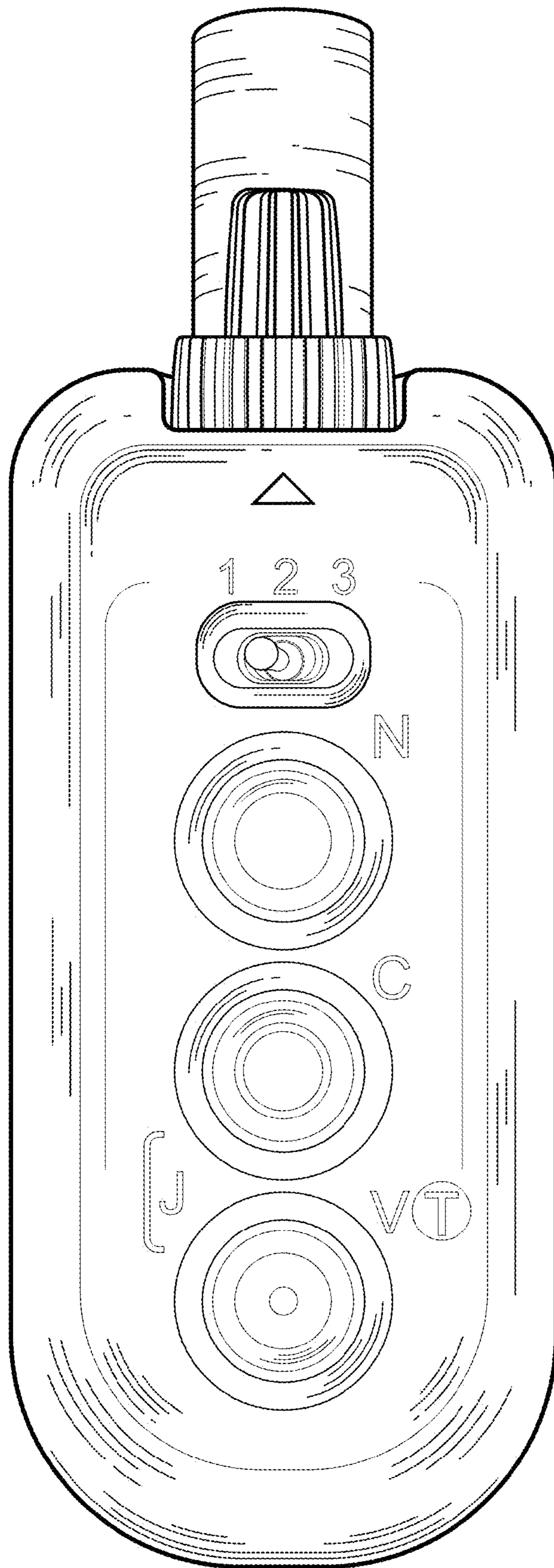


Fig. 2

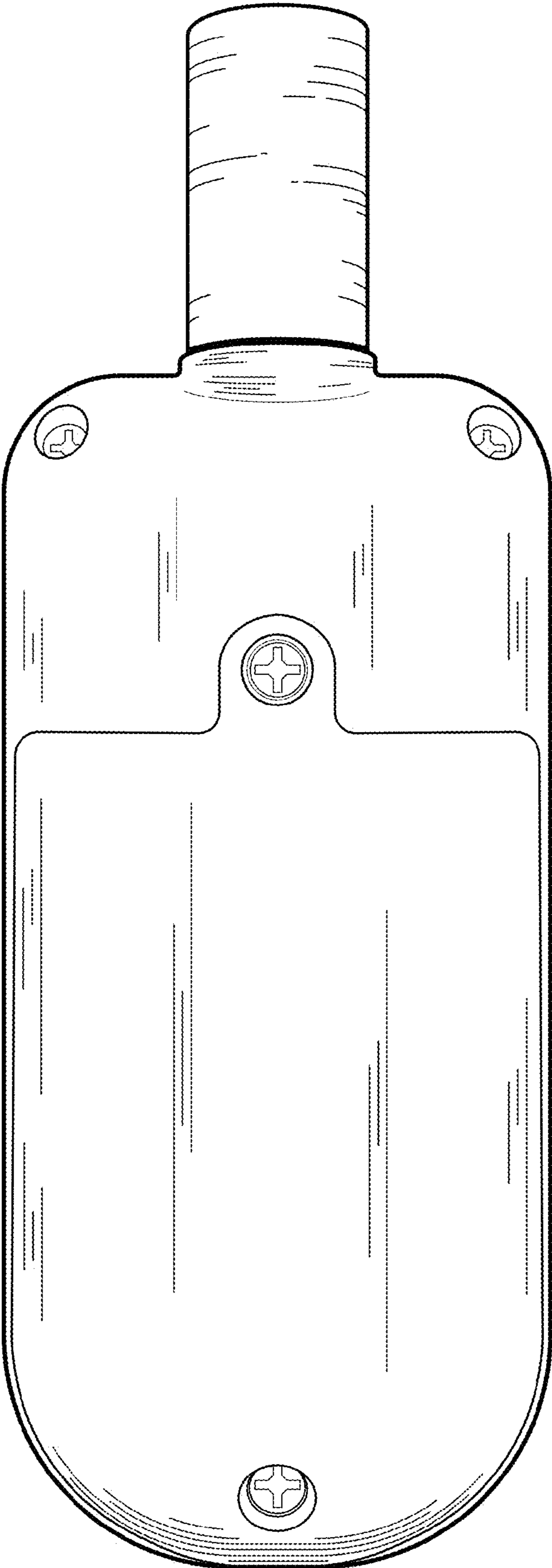


Fig. 3

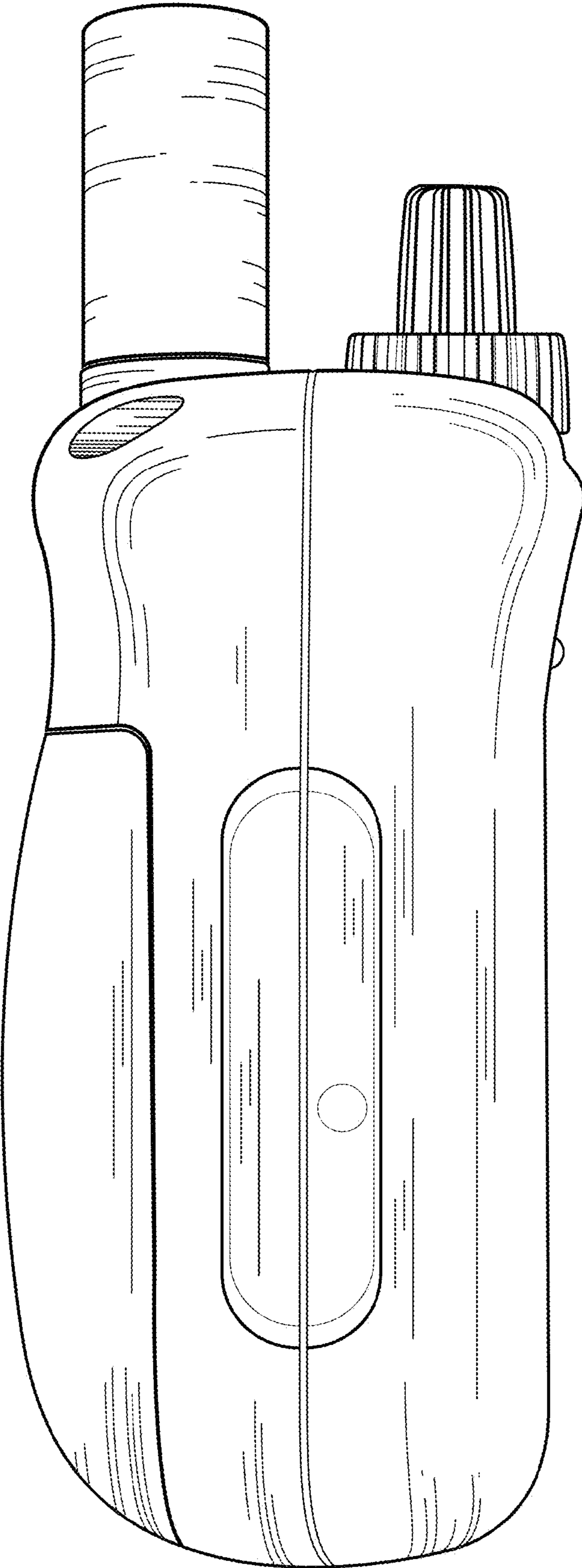


Fig. 4

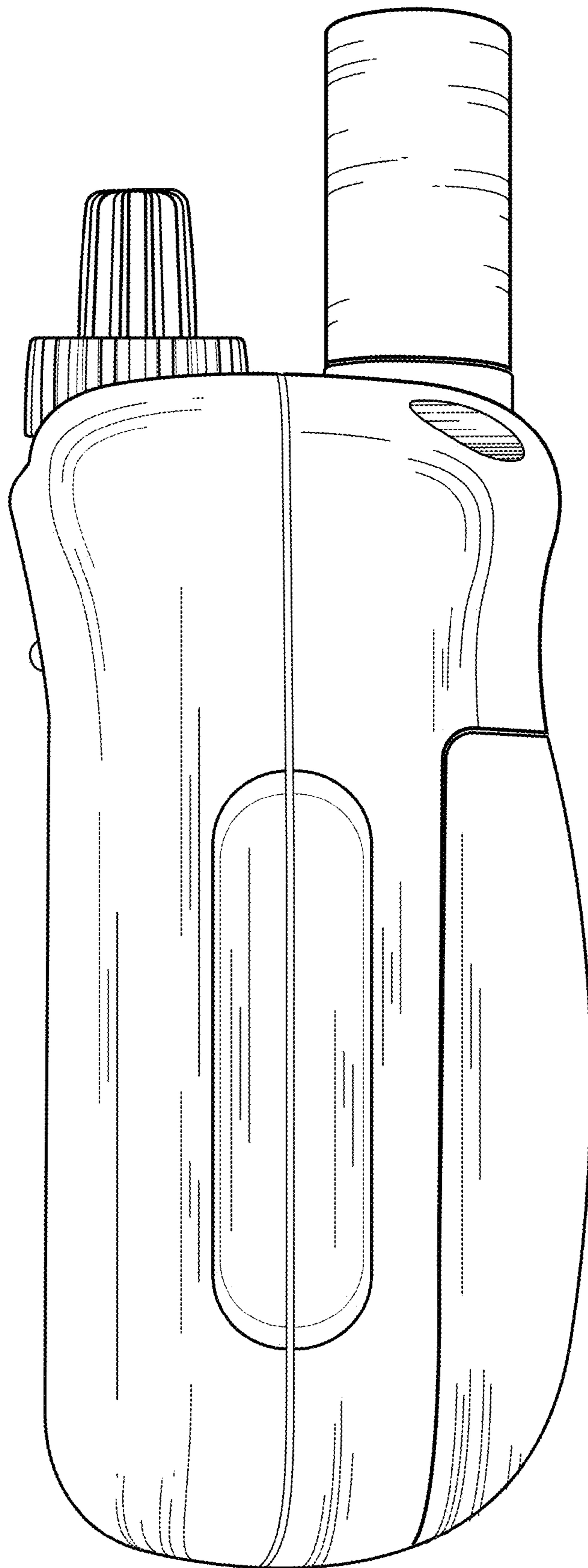


Fig. 5

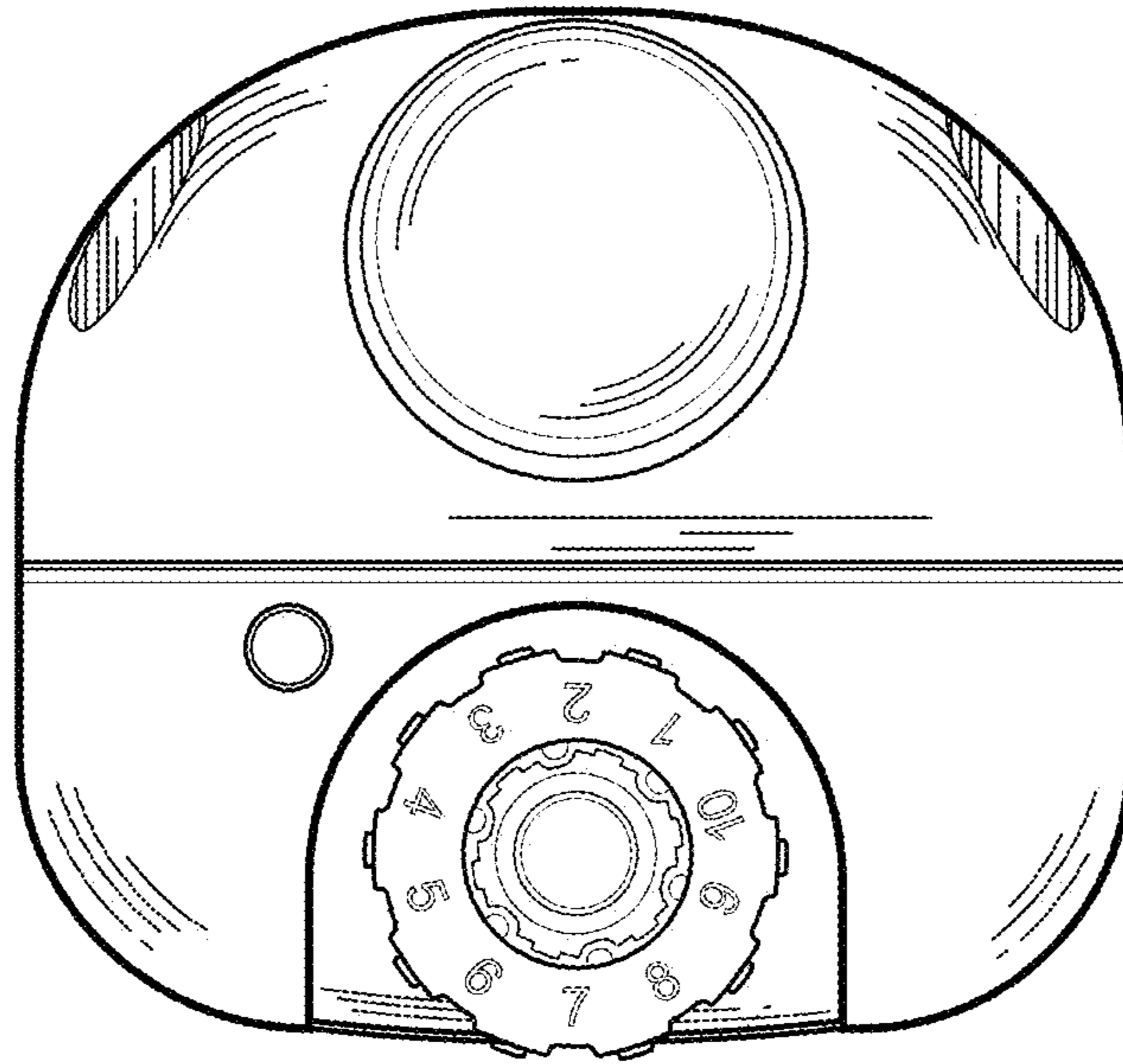


Fig. 6

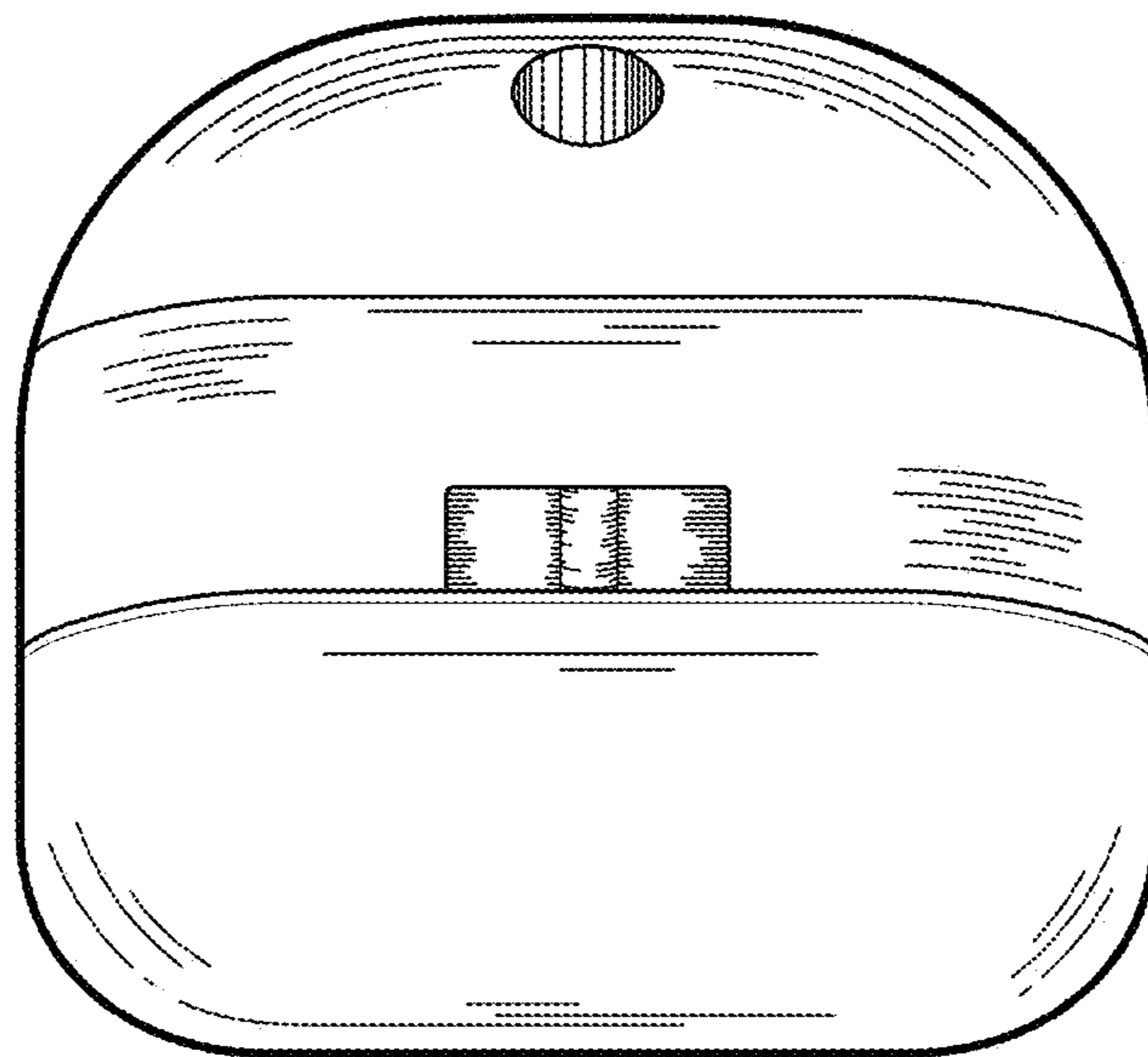


Fig. 7