



US0D1052579S

(12) **United States Design Patent** (10) **Patent No.:** **US D1,052,579 S**
Kim et al. (45) **Date of Patent:** **** Nov. 26, 2024**

(54) **DISPLAY DEVICE**

FOREIGN PATENT DOCUMENTS

(71) Applicant: **Samsung Display Co., Ltd.**, Yongin-si (KR)

CN 308192044 * 8/2023
CN 308192045 * 8/2023

(72) Inventors: **Tae-Chang Kim**, Yongin-si (KR); **Tae Hoon Yang**, Yongin-si (KR); **Byoung Su Lee**, Yongin-si (KR); **Sung Sang Ahn**, Hwaseong-si (KR)

OTHER PUBLICATIONS

Samsung Is Developing A Smartphone With Expandable Display, www.igyaan.in., Jul. 2, 2019. <https://www.igyaan.in/191039/samsung-smartphone-expandable-display/> (Year: 2019).*

(73) Assignee: **Samsung Display Co., Ltd.**, Yongin-si (KR)

(Continued)

(**) Term: **15 Years**

Primary Examiner — Messina L Smith

Assistant Examiner — Kwabena A. Ankobiah

(21) Appl. No.: **29/853,648**

(74) *Attorney, Agent, or Firm* — Lewis Roca Rothgerber Christie LLP

(22) Filed: **Sep. 16, 2022**

(57) **CLAIM**

The ornamental design for display device, as shown and described.

(30) **Foreign Application Priority Data**

Mar. 16, 2022 (KR) 30-2022-0010239

DESCRIPTION

(51) **LOC (14) Cl.** **14-03**

(52) **U.S. Cl.**
USPC **D14/138 AD**

(58) **Field of Classification Search**
USPC D14/126, 128, 129, 138 R, 138 G, D14/138 AA, 138 AB, 138 AC, 138 AD, D14/138 C, 248, 336, 341, 371; D10/50; D20/10; D21/324, 325, 329, 332, 369
CPC G06F 1/1601; G06F 1/605; G06F 1/162; G06Q 20/18; G06Q 20/10; G06Q 20/123; G06Q 20/20; G06Q 30/02; G06Q 30/06; A47F 9/047

See application file for complete search history.

FIG. 1 is a perspective view of the display device in an unextended configuration;
FIG. 2 is a front view thereof;
FIG. 3 is a rear view thereof;
FIG. 4 is a left side view thereof;
FIG. 5 is a right side view thereof;
FIG. 6 is a top view thereof;
FIG. 7 is a bottom view thereof;
FIG. 8 is a perspective view of the display device in an extended configuration;
FIG. 9 is a front view thereof;
FIG. 10 is a rear view thereof;
FIG. 11 is a left side view thereof;
FIG. 12 is a right side view thereof;
FIG. 13 is a top view thereof; and,
FIG. 14 is a bottom view thereof.

The broken lines in the drawings illustrate portions of the display device and form no part of the claimed design.

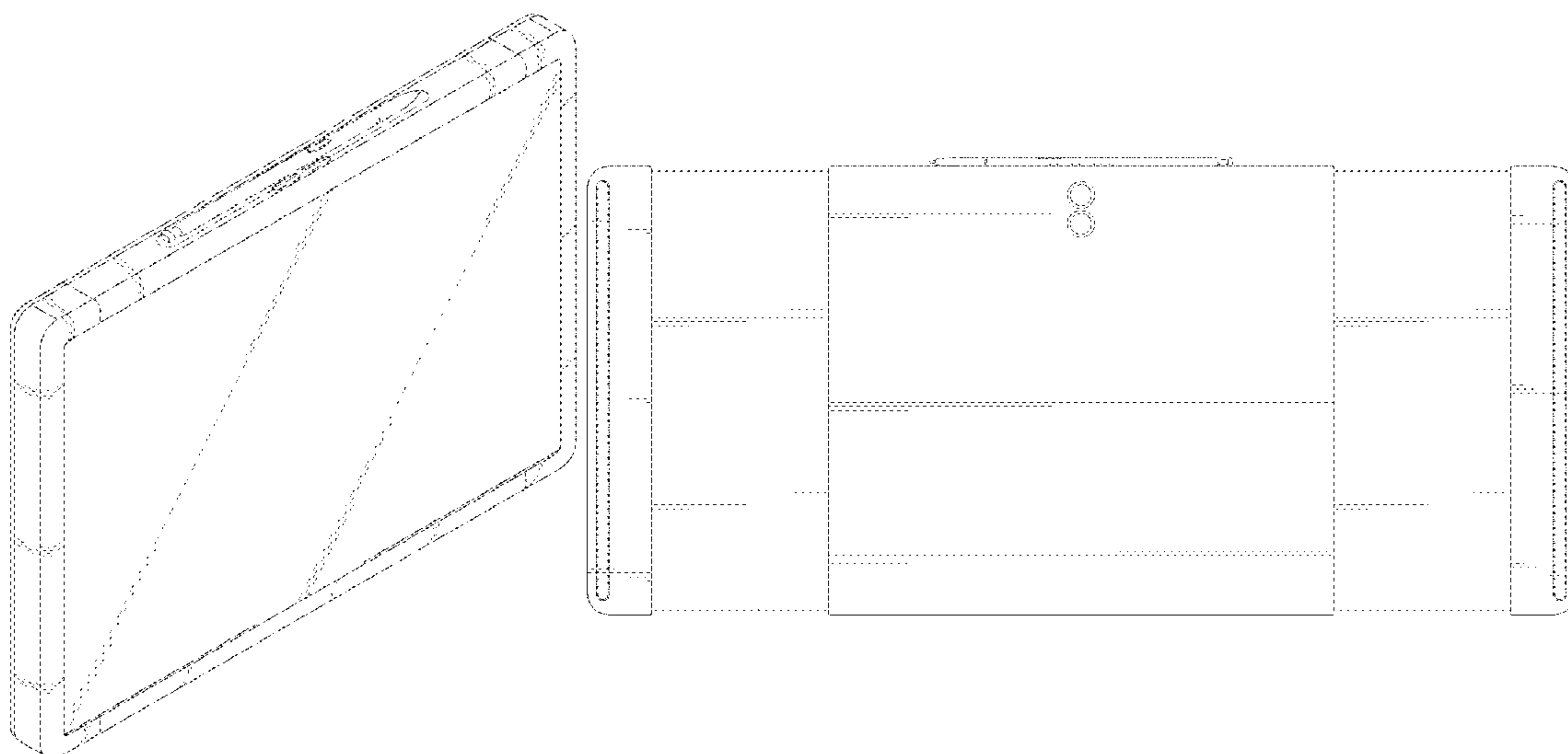
(56) **References Cited**

U.S. PATENT DOCUMENTS

D761,251 S * 7/2016 Senda D14/341
D761,788 S * 7/2016 Yamazaki D14/341

(Continued)

1 Claim, 10 Drawing Sheets



(56)

References Cited

U.S. PATENT DOCUMENTS

D778,863	S	*	2/2017	Lee	D14/138	G
D812,606	S	*	3/2018	Senda	D14/341	
D864,953	S	*	10/2019	Ahn	D14/341	
D891,427	S	*	7/2020	Lee	D14/341	
D912,045	S	*	3/2021	Han	G06F 1/1652	
						D14/138	AD
D923,598	S	*	6/2021	Lee	G06F 1/1652	
						D14/138	AD
D926,718	S	*	8/2021	Lee	G06F 1/1624	
						D14/138	AD
D936,625	S	*	11/2021	Lee	G06F 1/1652	
						D14/138	AD
D936,627	S	*	11/2021	Lee	G06F 1/165	
						D14/138	AD
D956,038	S	*	6/2022	Lee	D14/341	
D956,039	S	*	6/2022	Lee	D14/341	
D956,736	S	*	7/2022	Lee	D14/341	
D956,739	S	*	7/2022	Ji	D14/341	
D959,396	S	*	8/2022	Lee	D14/138	AD
D959,398	S	*	8/2022	Ji	D14/138	AD
D1,027,888	S	*	5/2024	Yim	D14/345	
D1,034,588	S	*	7/2024	Lee	D14/345	

OTHER PUBLICATIONS

Samsung Debuts Tablet That Can Expand From 13 to 17 Inches, [www.pcmag.com](https://www.pcmag.com/news/samsung-debuts-tablet-that-can-expand-from-13-to-17-inches), Sep. 27, 2022. <https://www.pcmag.com/news/samsung-debuts-tablet-that-can-expand-from-13-to-17-inches> (Year: 2022).*

See Samsung's Futuristic Screen Fold, Slide and Shape-Shift, [www.cnet.com](https://www.cnet.com/tech/mobile/see-samsungs-futuristic-screen-fold-slide-and-shapeshift/), Jan. 5, 2023. <https://www.cnet.com/tech/mobile/see-samsungs-futuristic-screen-fold-slide-and-shapeshift/> (Year: 2023).*

* cited by examiner

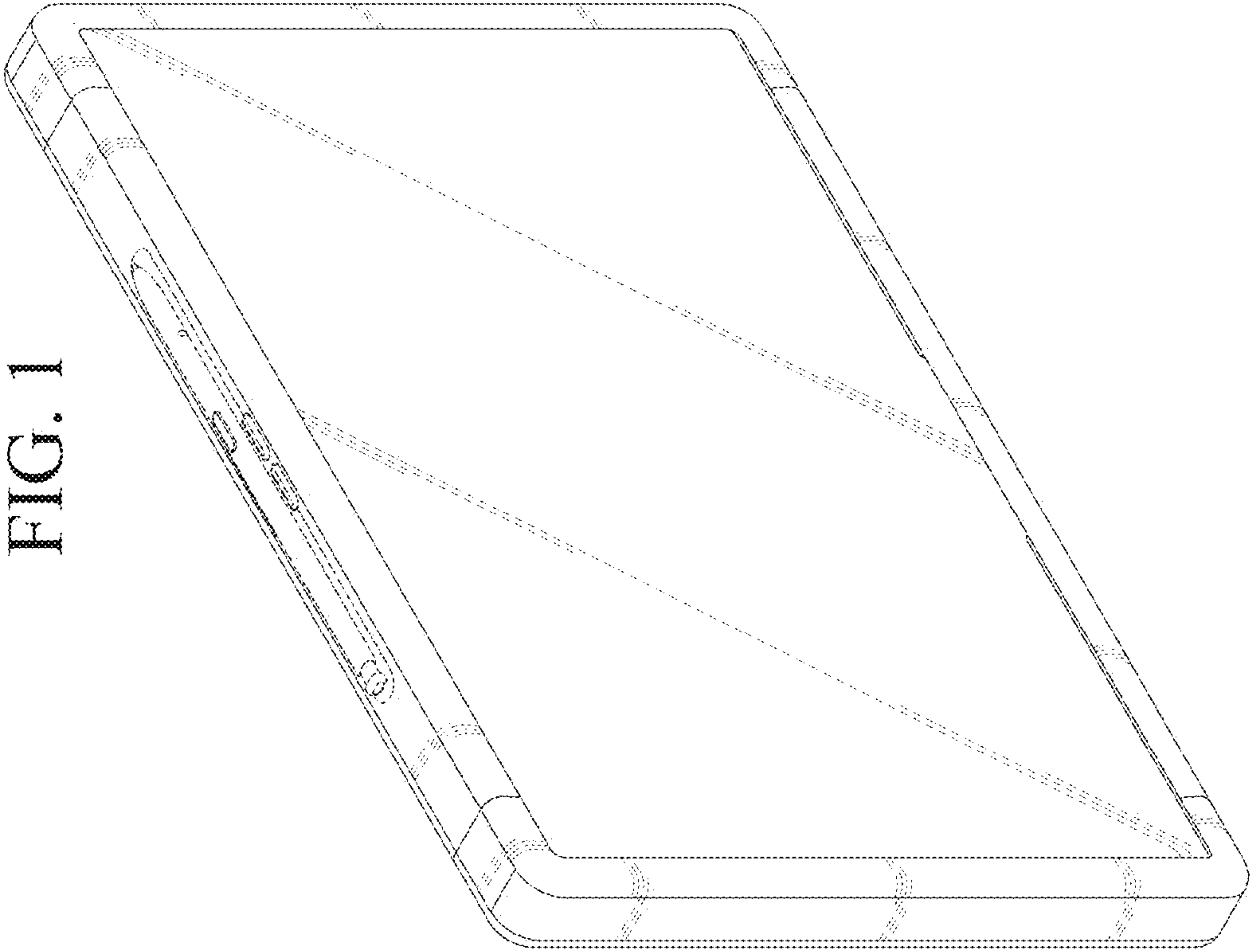


FIG. 1

FIG. 2

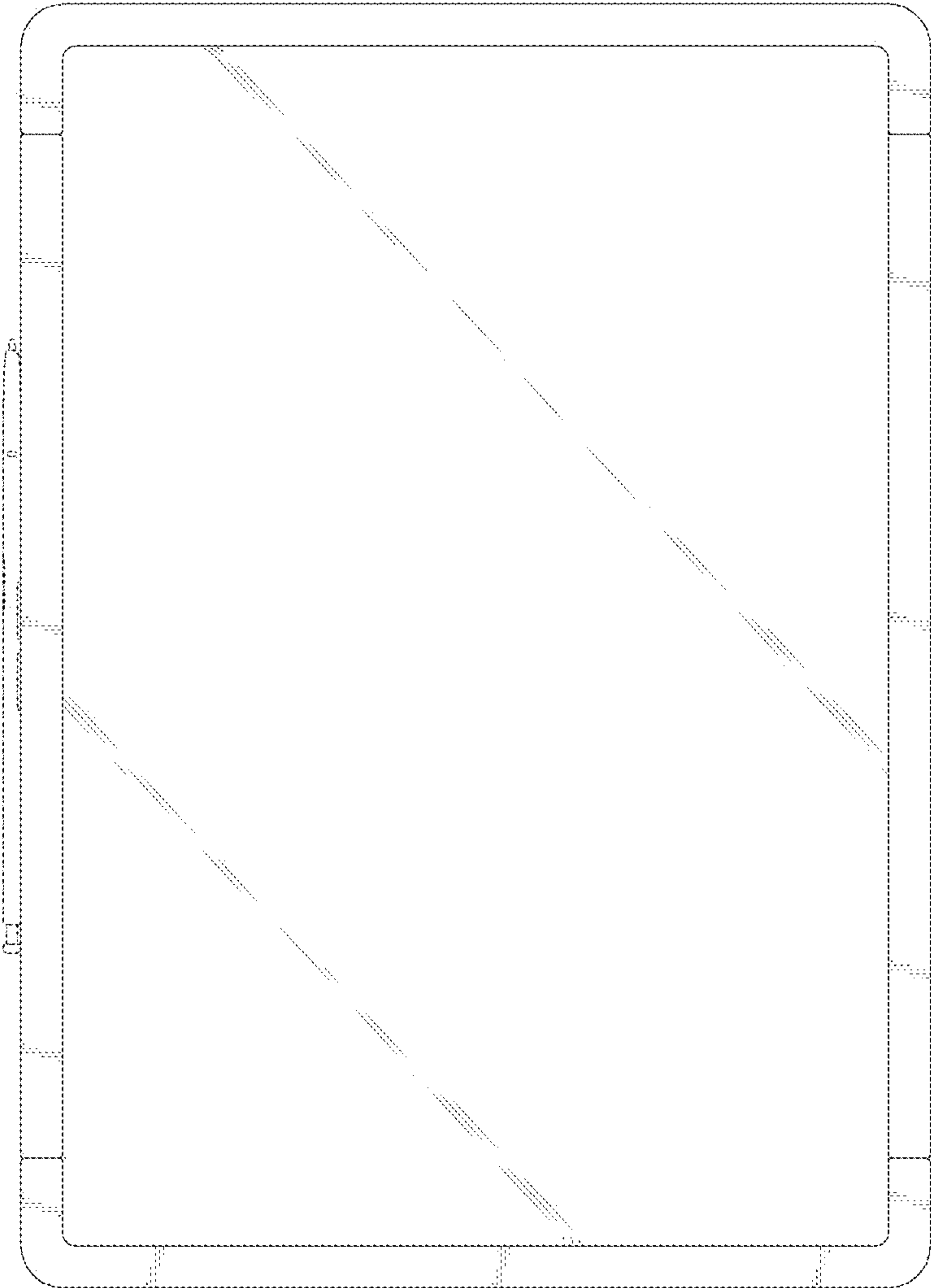


FIG. 3

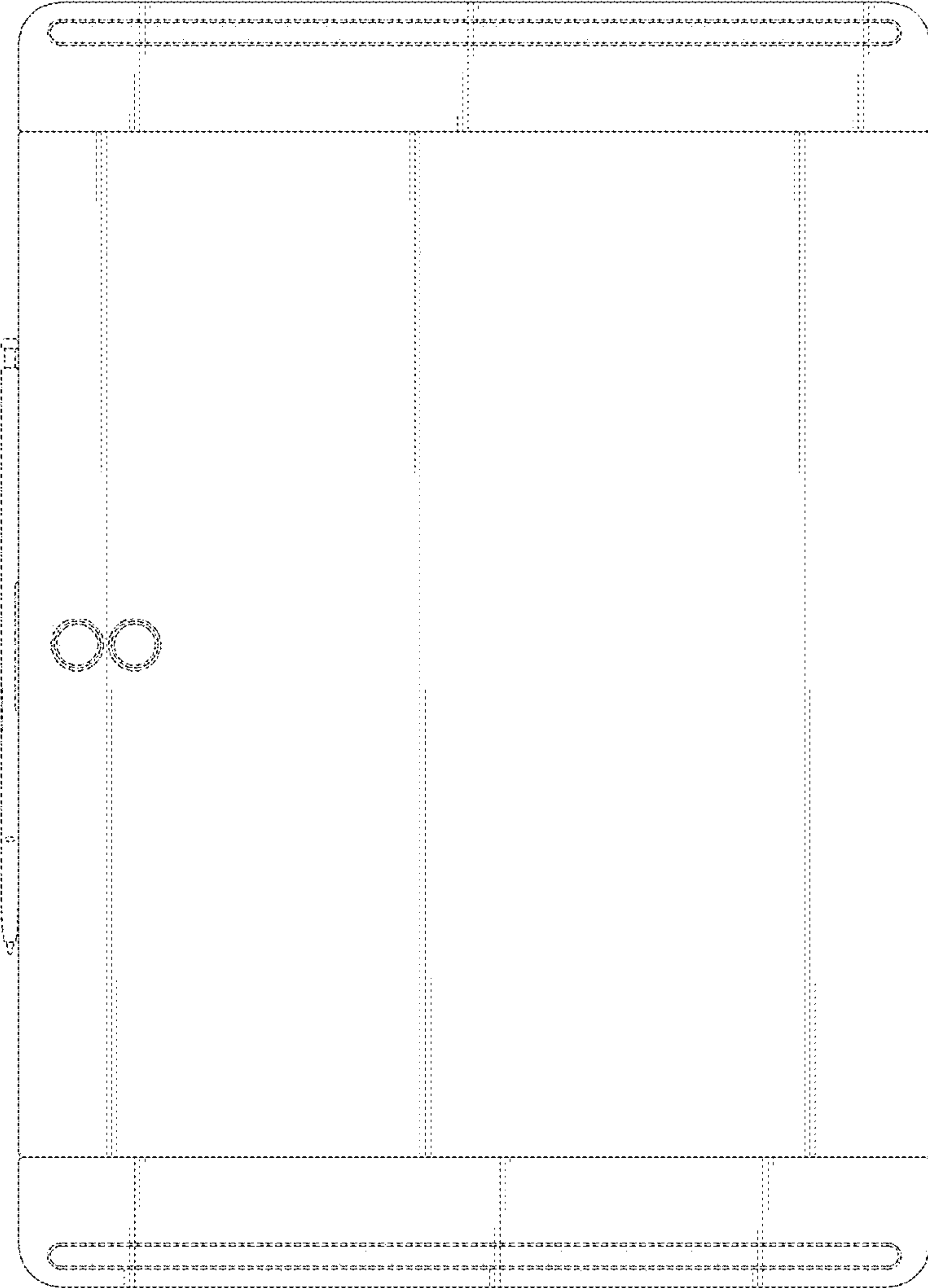


FIG. 5

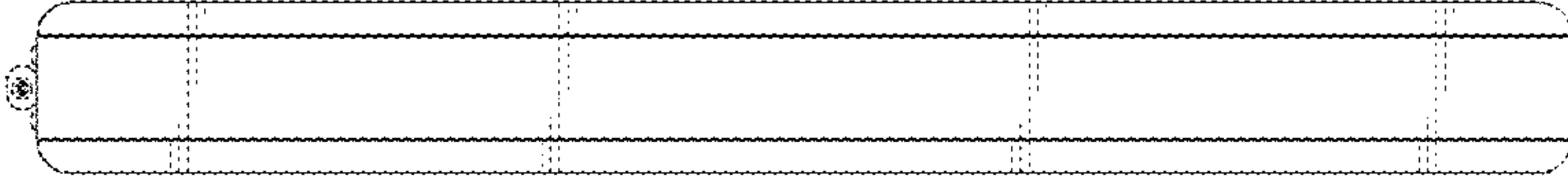


FIG. 4



FIG. 6

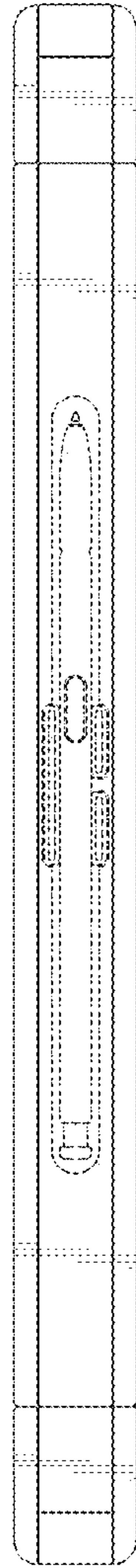
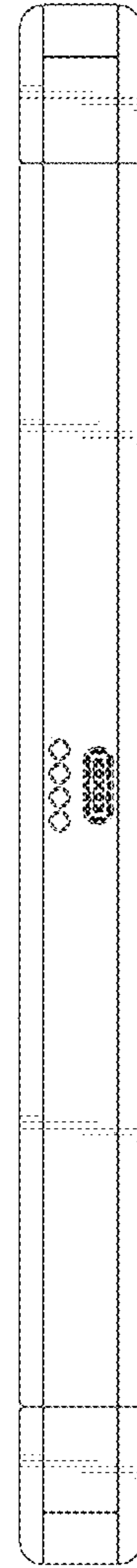


FIG. 7



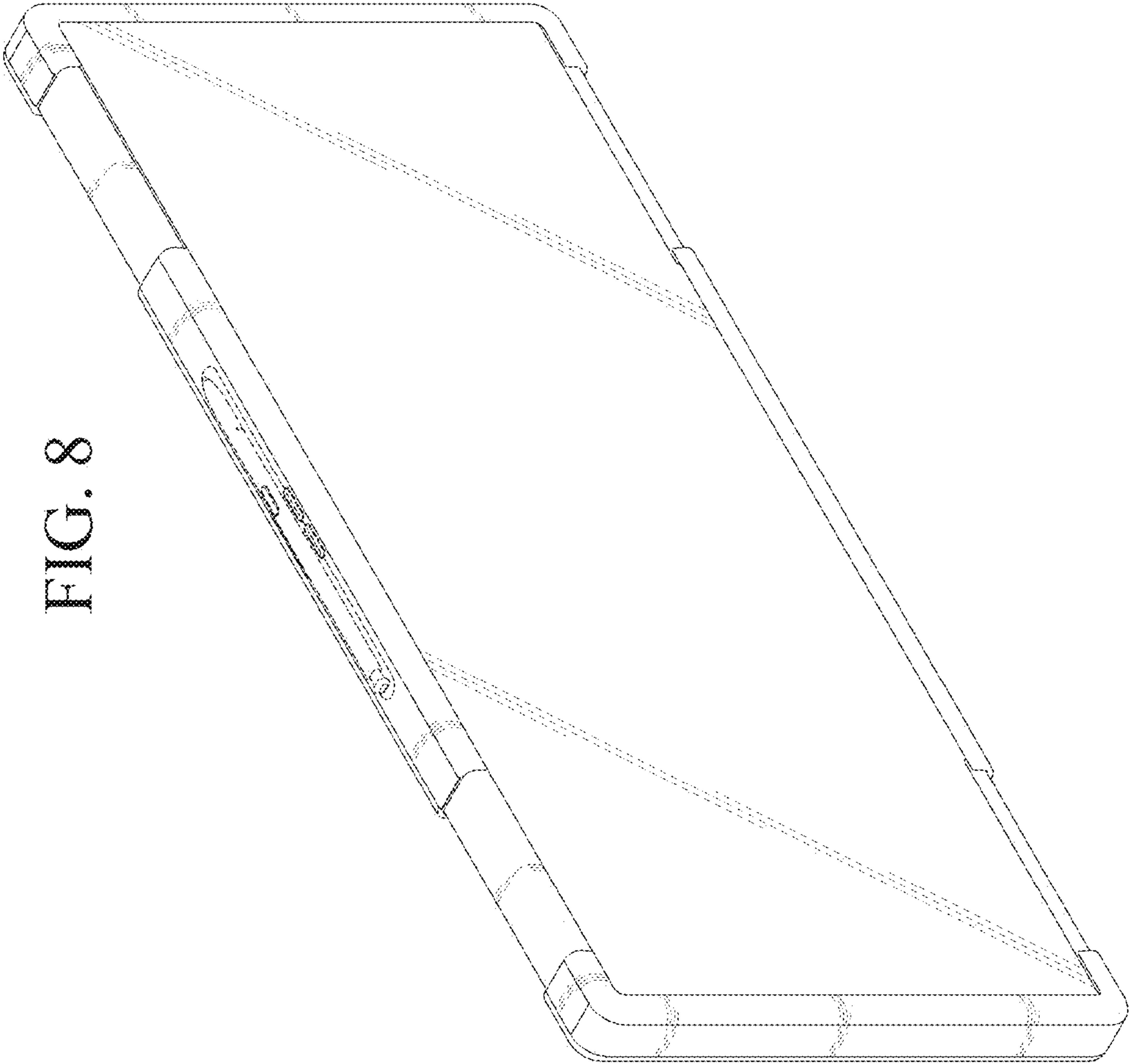


FIG. 8

FIG. 9

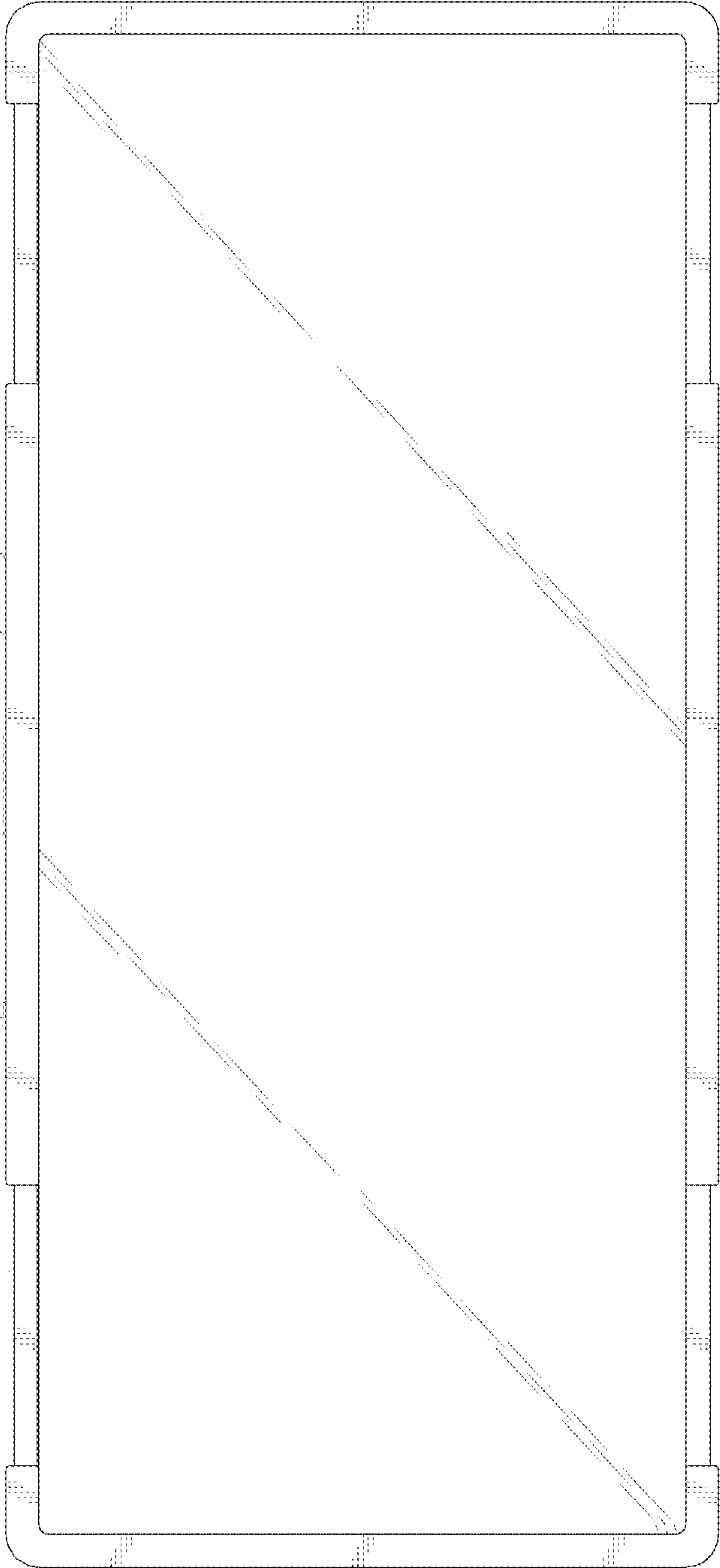


FIG. 10

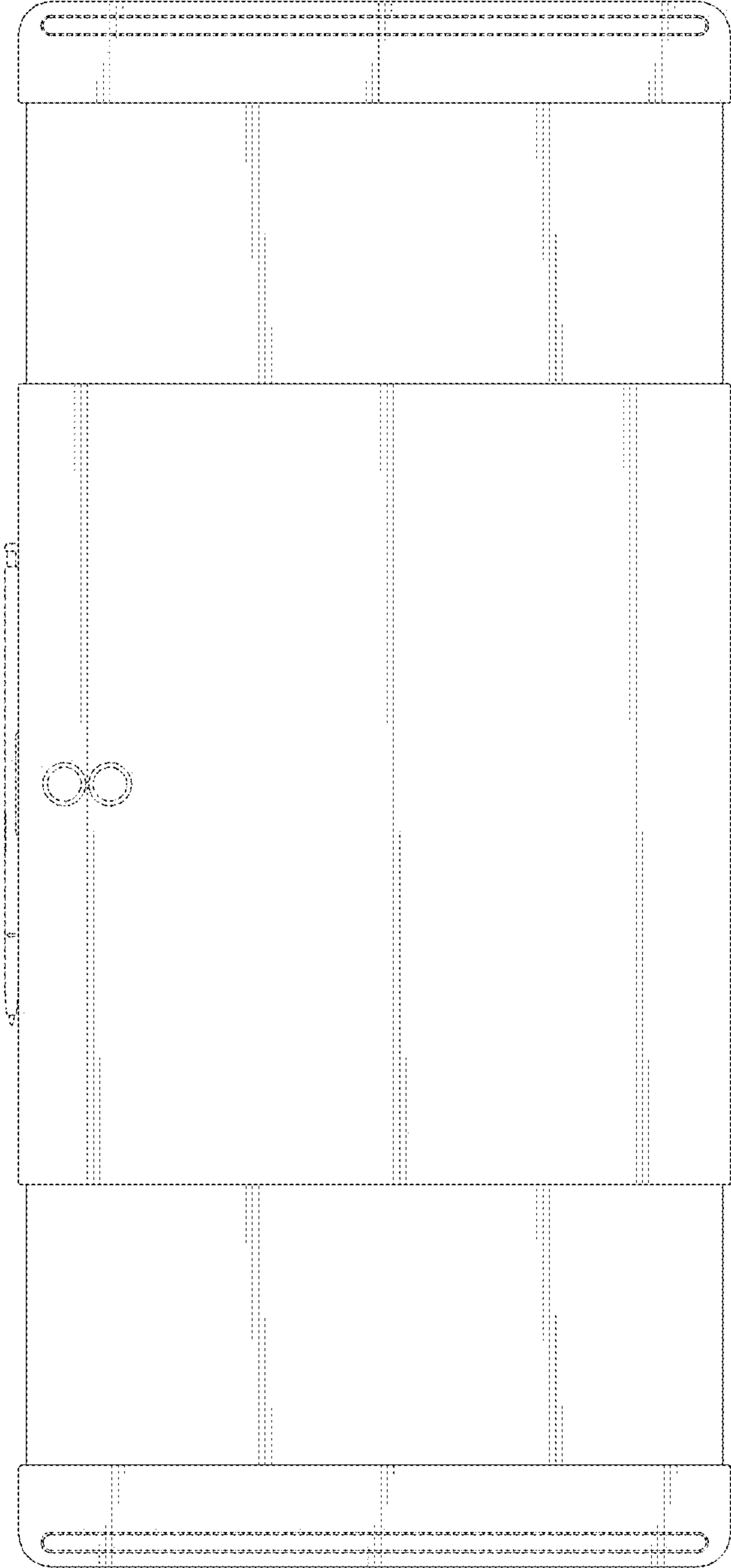


FIG. 12

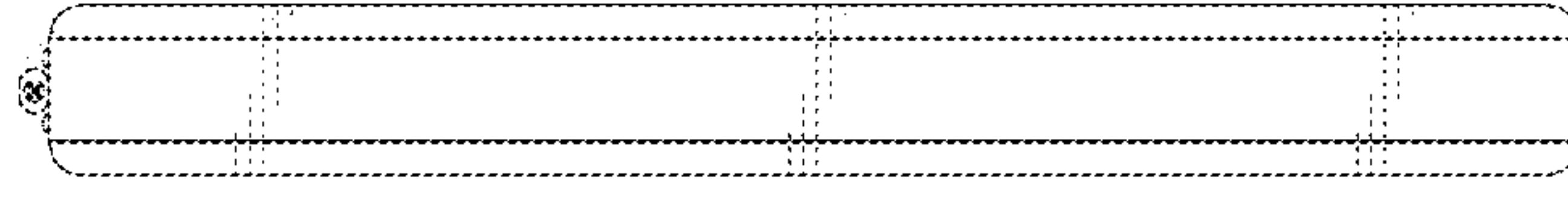


FIG. 11

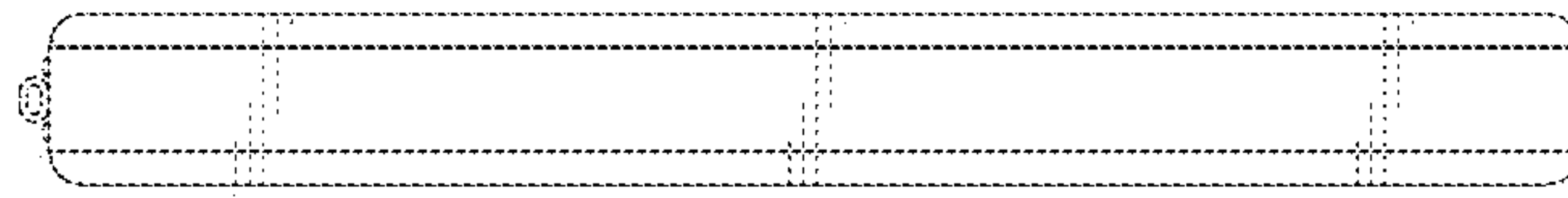


FIG. 13

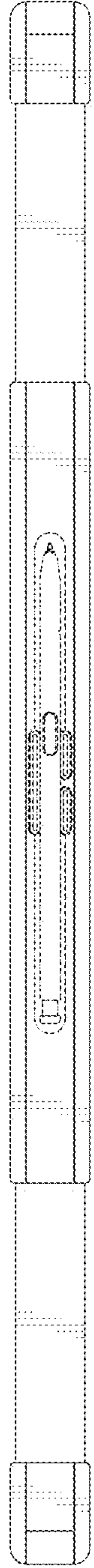


FIG. 14

