



US0D1052008S

(12) **United States Design Patent** (10) **Patent No.:** **US D1,052,008 S**  
**Ewing et al.** (45) **Date of Patent:** **\*\* Nov. 19, 2024**

(54) **MODEL VEHICLE WINDOW ASSEMBLY**  
(71) Applicant: **TRAXXAS, L.P.**, McKinney, TX (US)  
(72) Inventors: **Adam Cole Ewing**, McKinney, TX (US); **Otto Karl Allmendinger**, Rowlett, TX (US); **Kent Poteet**, Lucas, TX (US); **Jaime Felix Barajas**, Dallas, TX (US); **Ross Martin**, Roanoke, TX (US); **Trent Collins**, McKinney, TX (US); **Caleb Hix**, McKinney, TX (US)

D281,000 S 10/1985 Kuna et al.  
D288,681 S 3/1987 Telnack  
D293,310 S 12/1987 Clark et al.  
(Continued)

FOREIGN PATENT DOCUMENTS

EM 015013355-0009 \* 3/2023  
GB 6265722 \* 3/2023

OTHER PUBLICATIONS

All-New 2021 Ford Bronco Debuts with a Wild Bunch of Off-Road Inspired Features, as shown in www.imboldn.com, Jul. 15, 2020. (Year: 2020).\*

(Continued)

*Primary Examiner* — Gino Colan  
*Assistant Examiner* — Gregory G McLemore  
(74) *Attorney, Agent, or Firm* — Daryl R. Wright; Greg Carr

(73) Assignee: **TRAXXAS, L.P.**, McKinney, TX (US)

(\*\*) Term: **15 Years**

(21) Appl. No.: **29/852,416**

(22) Filed: **Sep. 7, 2022**

(51) **LOC (14) Cl.** ..... **21-01**

(52) **U.S. Cl.**  
USPC ..... **D21/562**; D21/561

(58) **Field of Classification Search**  
USPC ..... D21/424, 433, 434, 483, 495, 533, 548, D21/552, 558, 561, 562, 565, 581; D12/82, 86, 90, 91, 93, 114, 163, 164, D12/167, 172, 181, 182, 196, 401, 406  
CPC .... A63H 17/00; A63H 17/004; A63H 17/002; A63H 33/26  
See application file for complete search history.

(57) **CLAIM**

The ornamental design for a model vehicle window assembly as shown and described.

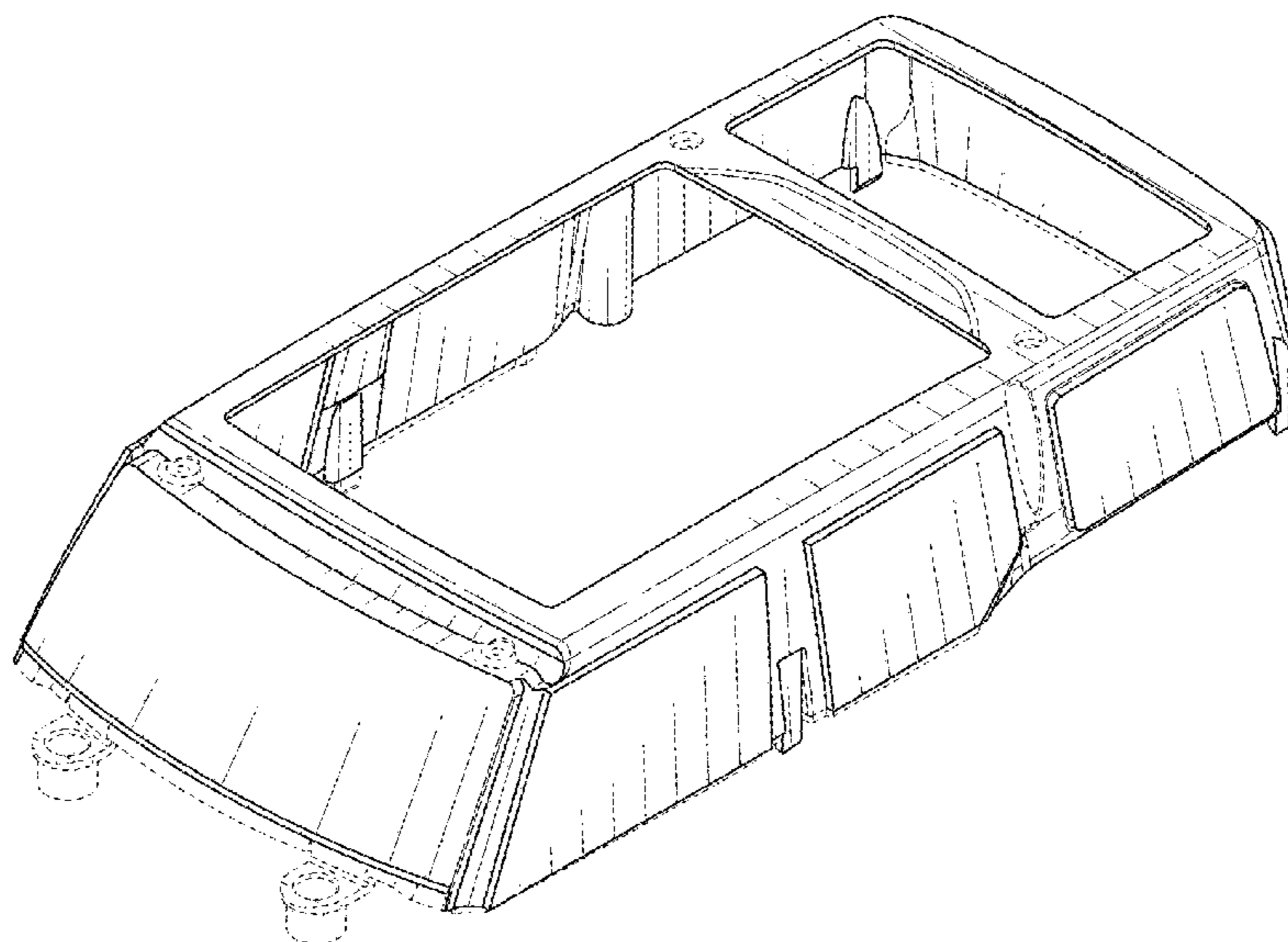
**DESCRIPTION**

FIG. 1 is an upper, left, front perspective view of a model vehicle window assembly showing our new design; FIG. 2 is a front elevation view thereof; FIG. 3 is a rear elevation view thereof; FIG. 4 is a right side elevation view thereof; FIG. 5 is a left side elevation view thereof; FIG. 6 is an upper plan view thereof; FIG. 7 is a lower plan view thereof; FIG. 8 is an upper, right, rear perspective view thereof; and, FIG. 9 is a lower, right, rear perspective view of the model vehicle window assembly. In the drawings, the broken lines illustrate portions of the model vehicle window assembly that form no part of the claimed design.

(56) **References Cited**  
U.S. PATENT DOCUMENTS

D203,841 S 2/1966 Power  
3,464,153 A 9/1969 Small  
3,537,210 A 11/1970 Ieda  
D243,595 S 3/1977 Belz  
D251,725 S 5/1979 Cesaro  
D253,406 S 11/1979 Carabetta  
D254,128 S 2/1980 Carabetta  
D277,494 S 2/1985 Lerch

**1 Claim, 7 Drawing Sheets**



(56)

References Cited

U.S. PATENT DOCUMENTS

D293,564 S 1/1988 Mayhew et al.  
 D307,248 S 4/1990 Dettling  
 5,102,367 A 4/1992 Mullaney et al.  
 5,228,880 A 7/1993 Meyer et al.  
 5,334,078 A 8/1994 Hippely et al.  
 D385,245 S 10/1997 Gallitzendoerfer et al.  
 D404,691 S 1/1999 Gerisch et al.  
 D425,141 S 5/2000 Park  
 D458,188 S 6/2002 Wyszogrod et al.  
 D466,451 S 12/2002 Trostle et al.  
 D496,409 S 9/2004 Tilbor  
 D529,967 S 10/2006 Bowen et al.  
 D538,861 S 3/2007 Takahashi  
 7,217,170 B2 5/2007 Moll et al.  
 D547,249 S 7/2007 Kurtz et al.  
 D550,311 S 9/2007 Chen  
 D566,788 S 4/2008 Pasko  
 D566,789 S 4/2008 Idiot  
 D566,790 S 4/2008 Idiot  
 D567,301 S 4/2008 Idiot  
 7,387,558 B2 6/2008 Swisher et al.  
 D579,823 S 11/2008 Choi  
 D592,256 S 5/2009 Yaguchi  
 D593,163 S 5/2009 Torres et al.  
 D598,811 S 8/2009 Honeycutt et al.  
 D603,295 S 11/2009 Honeycutt et al.  
 D605,083 S 12/2009 Manoogian, II et al.  
 D612,767 S 3/2010 Barkan  
 D617,851 S 6/2010 Stoddard  
 D630,971 S 1/2011 Jung  
 D671,454 S 11/2012 Davidson et al.  
 8,342,904 B2 1/2013 Torres  
 D693,737 S 11/2013 Hammoud et al.  
 D703,101 S 4/2014 deNatale et al.  
 D707,608 S 6/2014 Smith  
 D709,007 S 7/2014 Henry et al.  
 D709,008 S 7/2014 Brzustowicz et al.  
 D709,009 S 7/2014 Brzustowicz et al.  
 D728,037 S 4/2015 Barajas et al.  
 D740,180 S 10/2015 Agnew et al.  
 D740,181 S 10/2015 Agnew et al.  
 D741,416 S 10/2015 Barajas et al.  
 D741,956 S 10/2015 Barajas et al.  
 D769,378 S 10/2016 Belker et al.  
 D770,339 S 11/2016 Lindsey  
 D770,350 S 11/2016 Lindsey  
 D770,575 S 11/2016 Belker et al.  
 D771,202 S 11/2016 Gan  
 D771,203 S 11/2016 Gan  
 D792,526 S 7/2017 Belker et al.  
 D802,685 S 11/2017 Barajas et al.  
 D826,341 S 8/2018 Poteet et al.  
 D826,342 S 8/2018 Poteet et al.  
 D826,343 S 8/2018 Poteet et al.  
 D827,056 S 8/2018 Poteet et al.  
 D832,368 S 10/2018 Barajas et al.  
 D841,743 S 2/2019 Barajas et al.  
 D842,386 S \* 3/2019 Barajas ..... D21/548  
 D842,387 S 3/2019 Barajas et al.  
 D847,724 S 5/2019 Sprowl et al.  
 D862,610 S 10/2019 Barajas et al.

D862,611 S 10/2019 Barajas et al.  
 D865,569 S 11/2019 Jeung et al.  
 D869,570 S 12/2019 Barajas  
 D870,211 S 12/2019 Wozniak  
 D870,824 S 12/2019 Barajas et al.  
 D875,647 S 2/2020 Barajas et al.  
 D876,555 S 2/2020 Barajas et al.  
 D879,212 S 3/2020 Barajas et al.  
 D904,531 S 12/2020 Barajas et al.  
 D913,853 S \* 3/2021 Wraith ..... D12/91  
 D919,526 S \* 5/2021 Wraith ..... D12/182  
 D924,101 S \* 7/2021 Wraith ..... D12/91  
 D929,258 S \* 8/2021 Wraith ..... D12/91  
 D930,087 S 9/2021 Barajas et al.  
 D930,760 S 9/2021 Ewing et al.  
 D941,187 S \* 1/2022 Wraith ..... D12/91  
 D942,897 S \* 2/2022 Willing ..... D12/91  
 D944,122 S \* 2/2022 Wraith ..... D12/91  
 D965,701 S \* 10/2022 Wood ..... D21/562  
 D969,025 S \* 11/2022 Wraith ..... D12/93  
 D976,335 S \* 1/2023 Wraith ..... D12/91  
 D976,336 S \* 1/2023 Wraith ..... D12/91  
 2019/0160386 A1 5/2019 Kwan

OTHER PUBLICATIONS

Stunning RC Car! Traxxas TRX-4 2021 Ford Bronco Scale & Trail Crawler Review | RC Driver, as shown in [www.youtube.com](http://www.youtube.com), May 15, 2021. (Year: 2021).\*

Axial SCX24 2021 Ford Bronco Hard Body, 1/24 4WD RTR Scale Mini Crawler (Red), w/2.4GHz Radio, Part #AXI00006T1, as shown in [www.hobbytown.com](http://www.hobbytown.com), Apr. 22, 2022. (Year: 2022).\*

Traxxas TRX-4M Ford Bronco Windows (Clear), Part # TRA9714, as shown in [www.hobbytown.edu](http://www.hobbytown.edu), May 22, 2023. (Year: 2023).\*

Hot Wheels Skull Crusher Diecast Toy Car-Race Vehicle by Mattel-Auto Racing Toys Cars Collection, Feb. 22, 2012, [online], [Retrieved on Aug. 10, 2015] URL: <https://www.youtube.com/watch?v=fR1BWC9bqzM>.

Protoform; Protoform Ford GT 2017; <http://racepf.com/on-road-1-10-1-12/ford-gt-clear-body/>; Sep. 2016.

Monster truck 3d model, Earliest Available Date Sep. 20, 2019 [Online], [Site Visited Oct. 20, 2020] Available From Internet, URL: <https://www.turbosquid.com/3d-models/monster-truck-3d-model/488288> (Year: 2019).

Pro-Line Trencher LP 3.8" All Terrain Tires Mounted, Earliest Available Date Oct. 20, 2020 [Online], [Site Visited Oct. 20, 2020] Available From Internet, URL: [https://www.rccaraction.com/pro-line-trencher-lp-3-8-terrain-tires-mounted/#visitor\\_pref\\_pop](https://www.rccaraction.com/pro-line-trencher-lp-3-8-terrain-tires-mounted/#visitor_pref_pop) (Year: 2020).

Redcat Racing R180-BL Rock Crawler Body, May 1, 2015, amazon.com, Sep. 23, 2021, URL: [https://www.amazon.com/Redcat-Racing-Rock-Crawler-Scale/dp/B00YBXN5YK/ref=psdc\\_6925967011\\_t1\\_B00N1P7GJE](https://www.amazon.com/Redcat-Racing-Rock-Crawler-Scale/dp/B00YBXN5YK/ref=psdc_6925967011_t1_B00N1P7GJE) (Year: 2015).

Hosim RC Car Body Shell Cover SJ02 15-SJ02 for GPTOYS High Speed Monster Truck, Nov. 1, 2016, amazon.com, Sep. 23, 2021, URL: <https://www.amazon.com/15-SJ02-GPTOYS-Monster-Accessory-Supplies/dp/B0140S88TW> (Year: 2016).

Redcat Racing 88030 Truck Body, 1/10 Scale, Nov. 4, 2009, amazon.com, URL: <https://www.amazon.com/Redcat-Racing-Truck-Scale-Black/dp/B002VN41WC> (Year: 2009).

\* cited by examiner



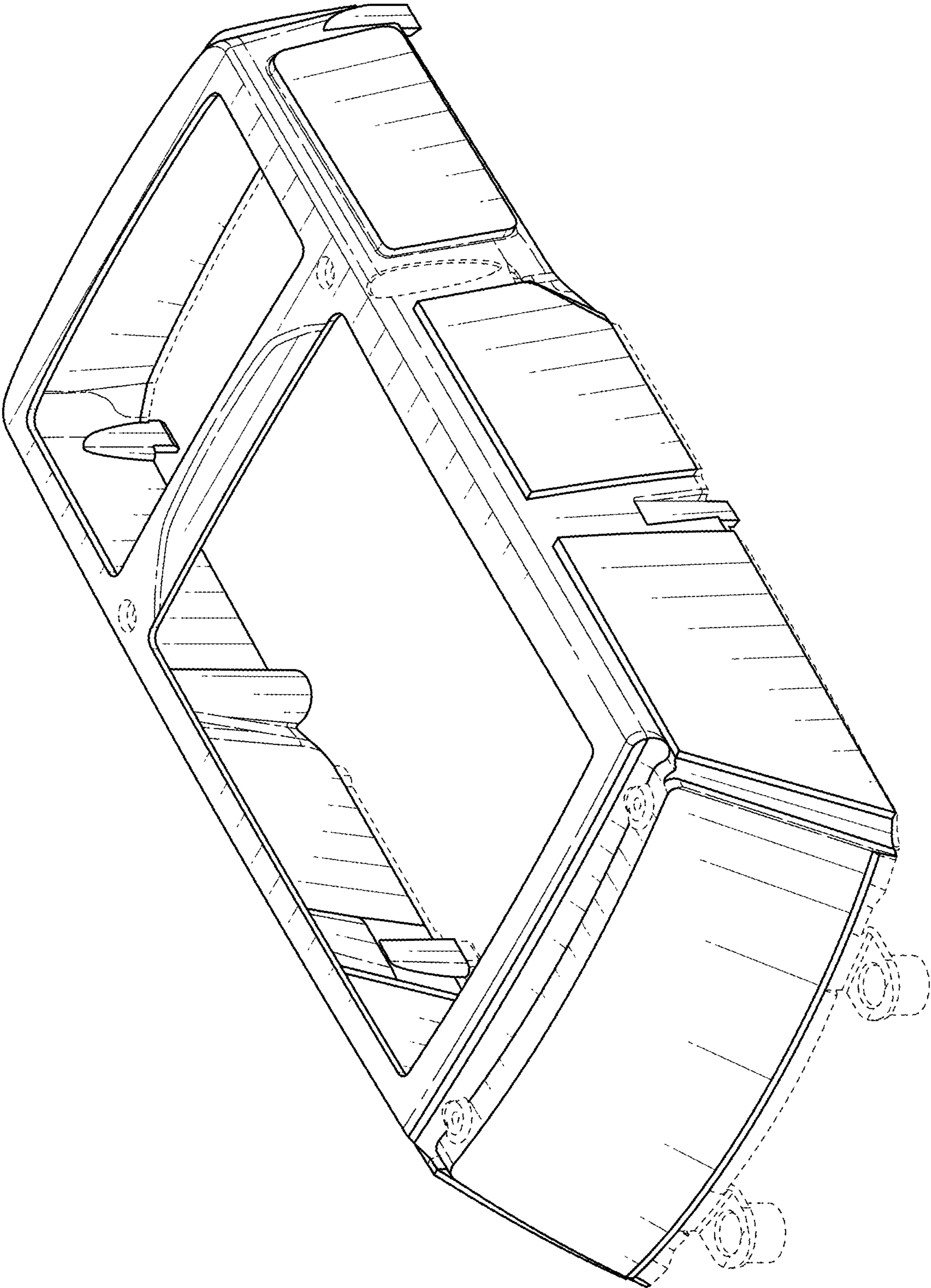


FIG. 1

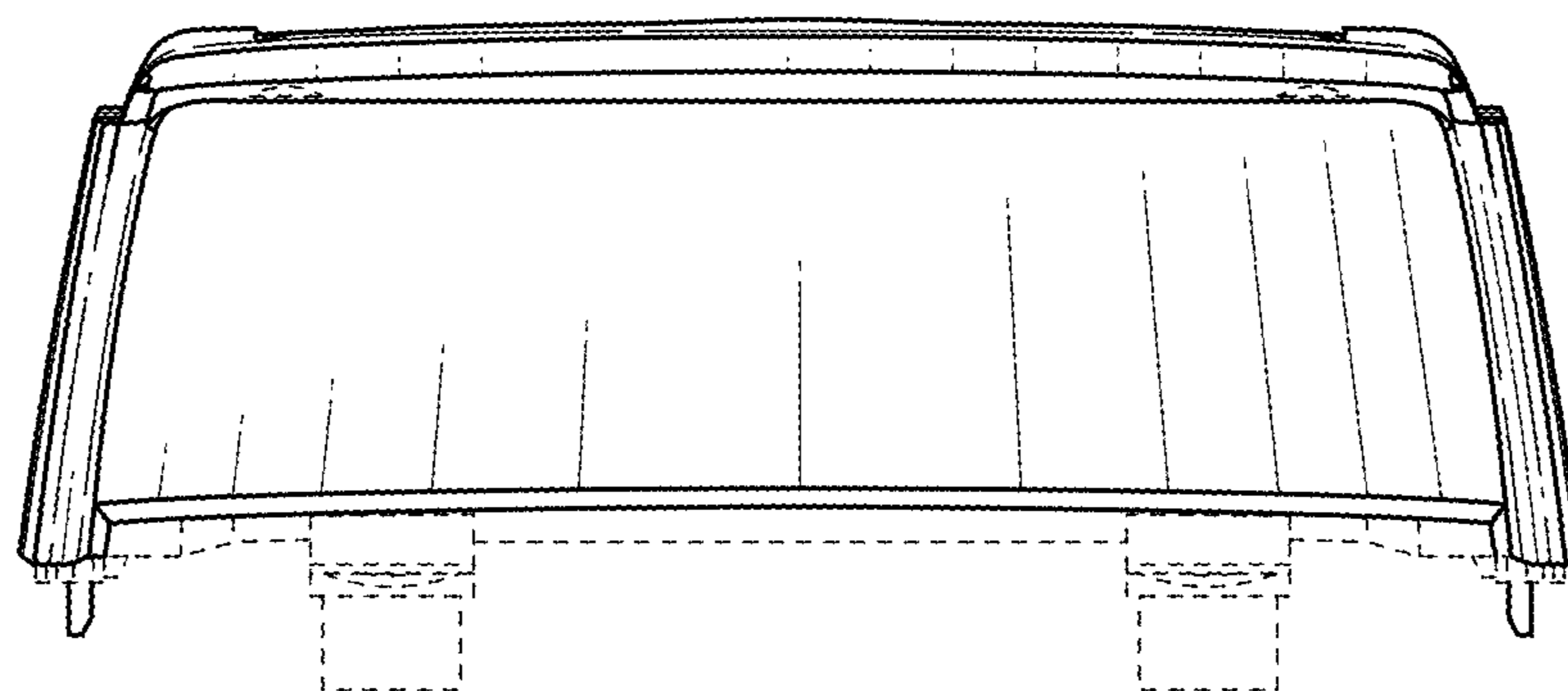


FIG. 2

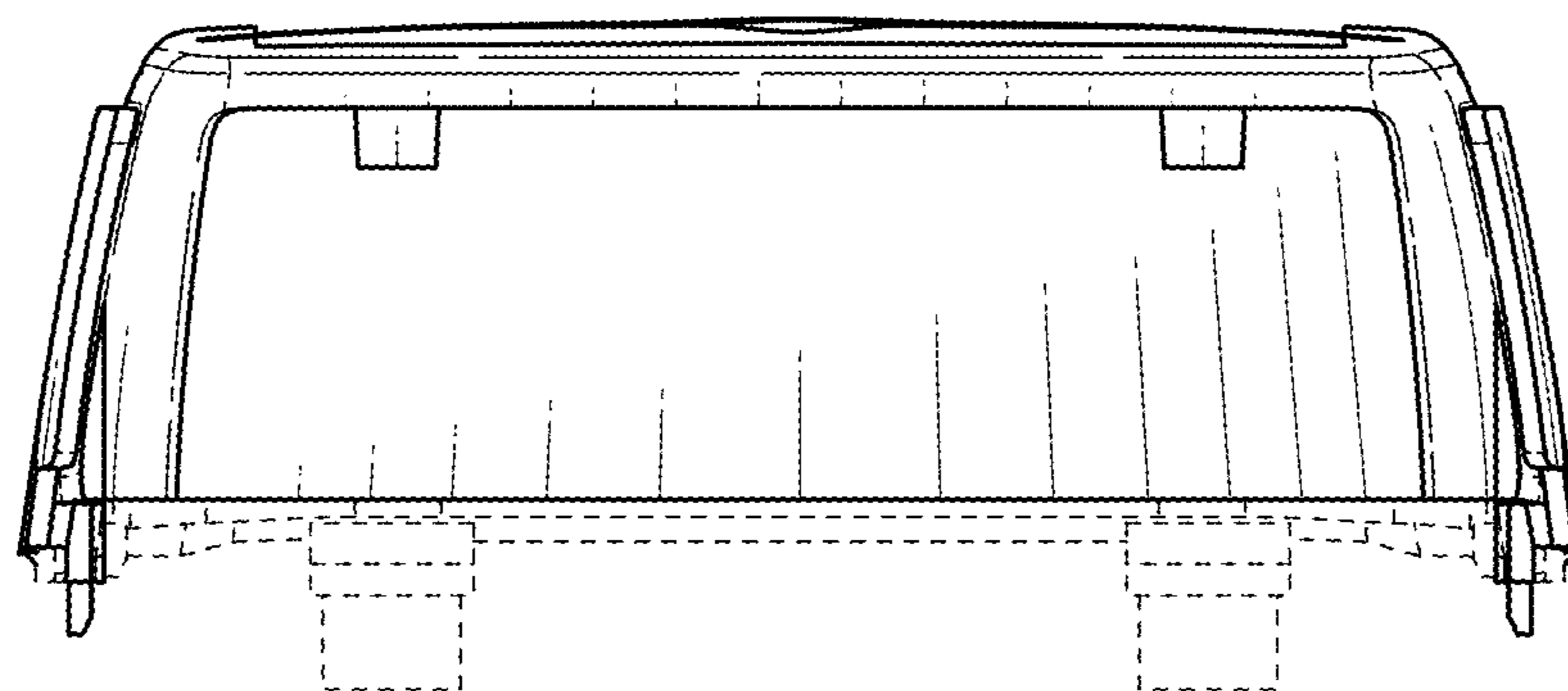


FIG. 3

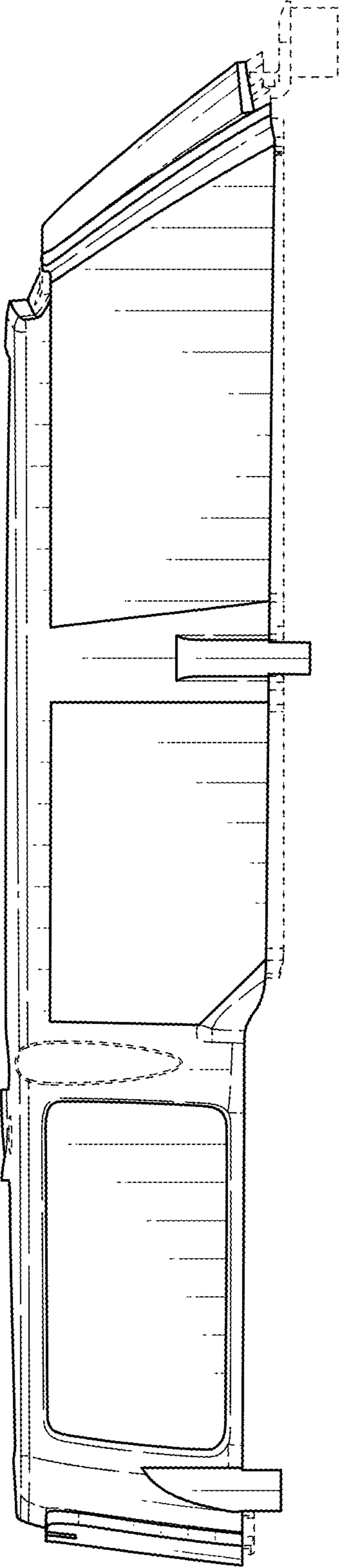


FIG. 4

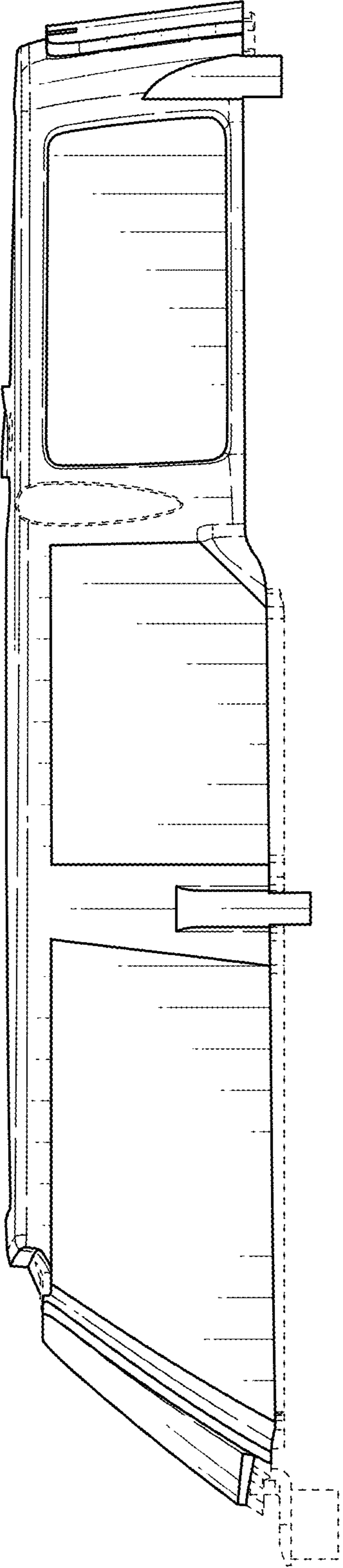


FIG. 5

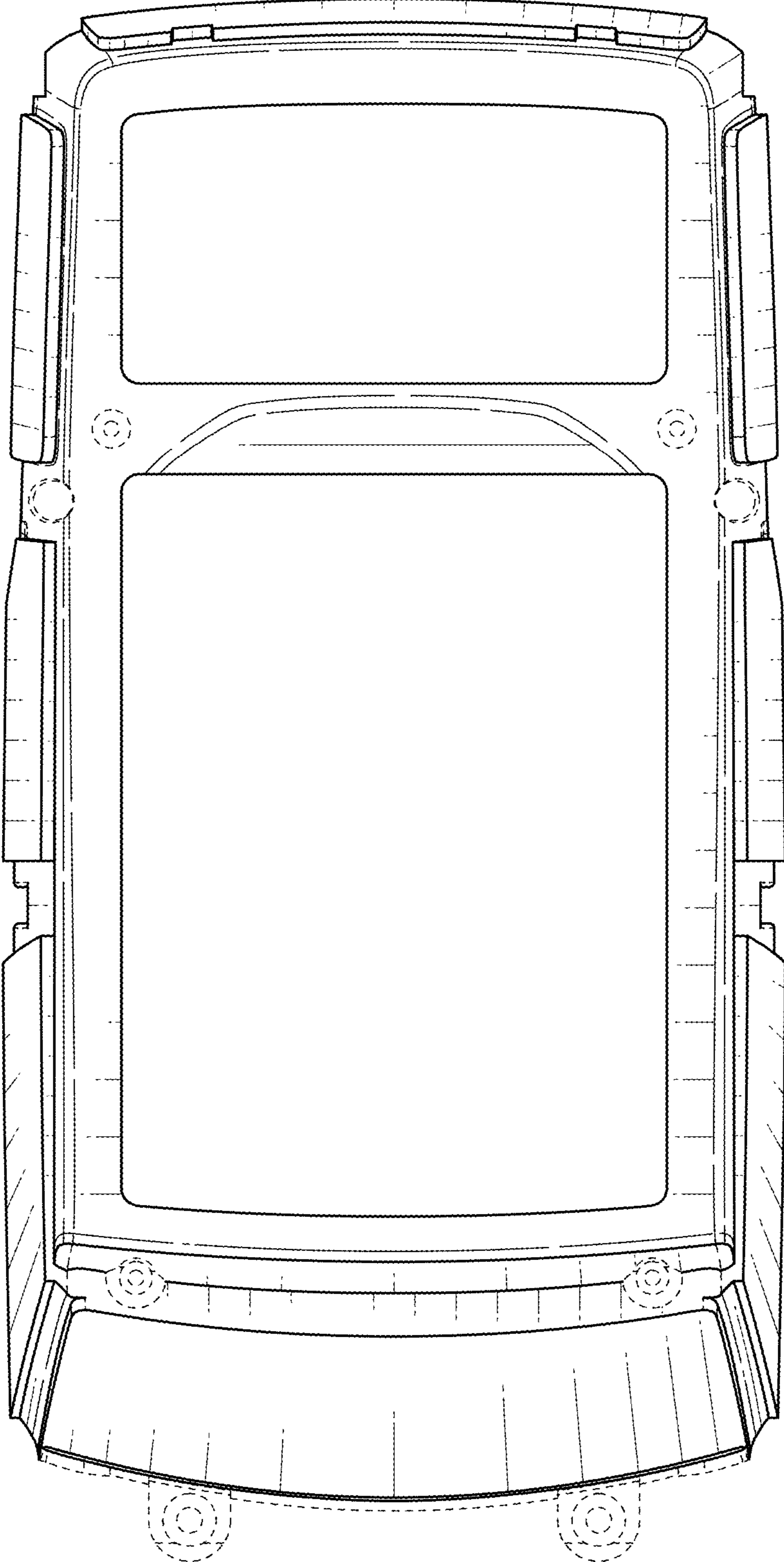


FIG. 6



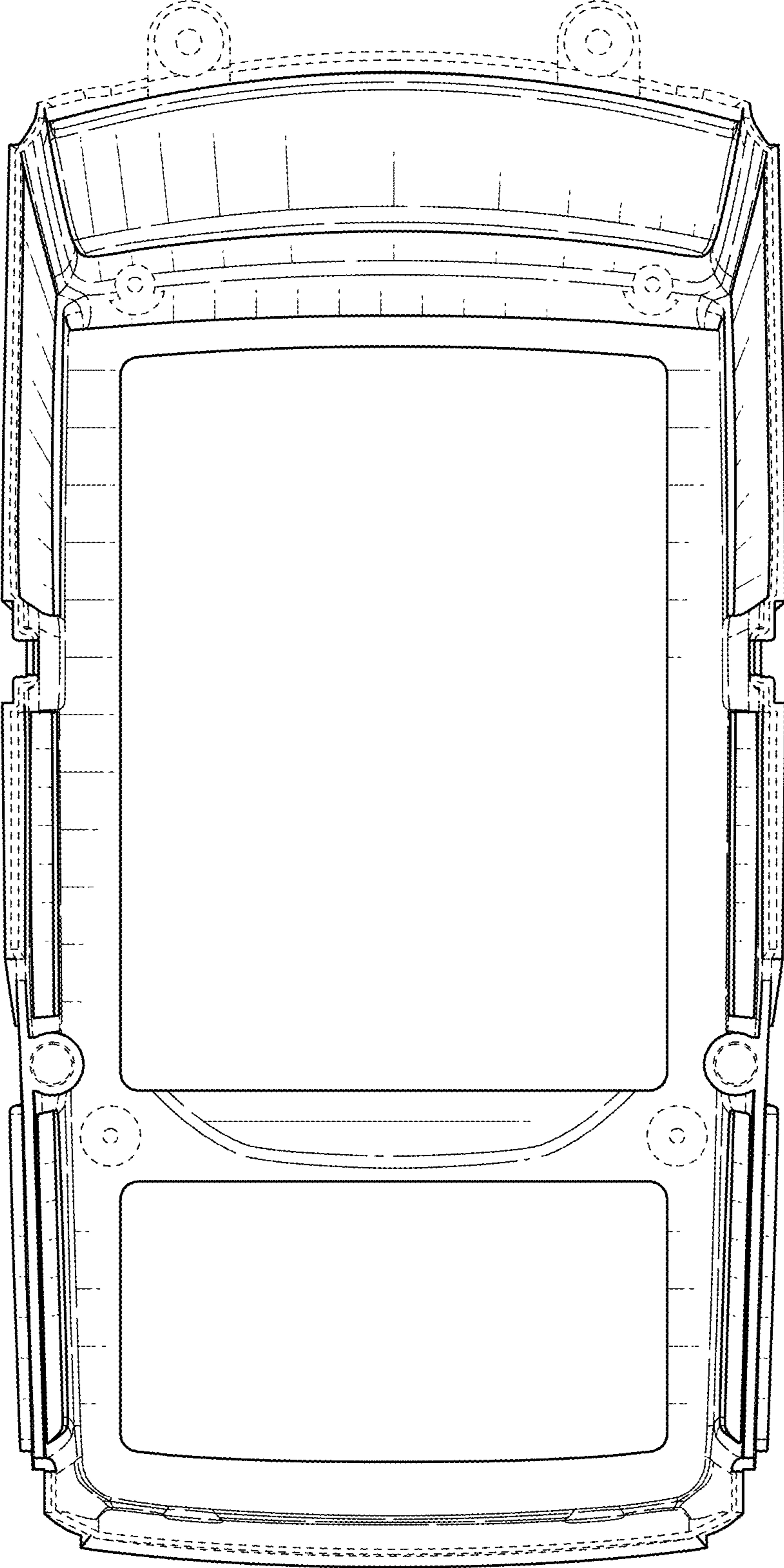


FIG. 7

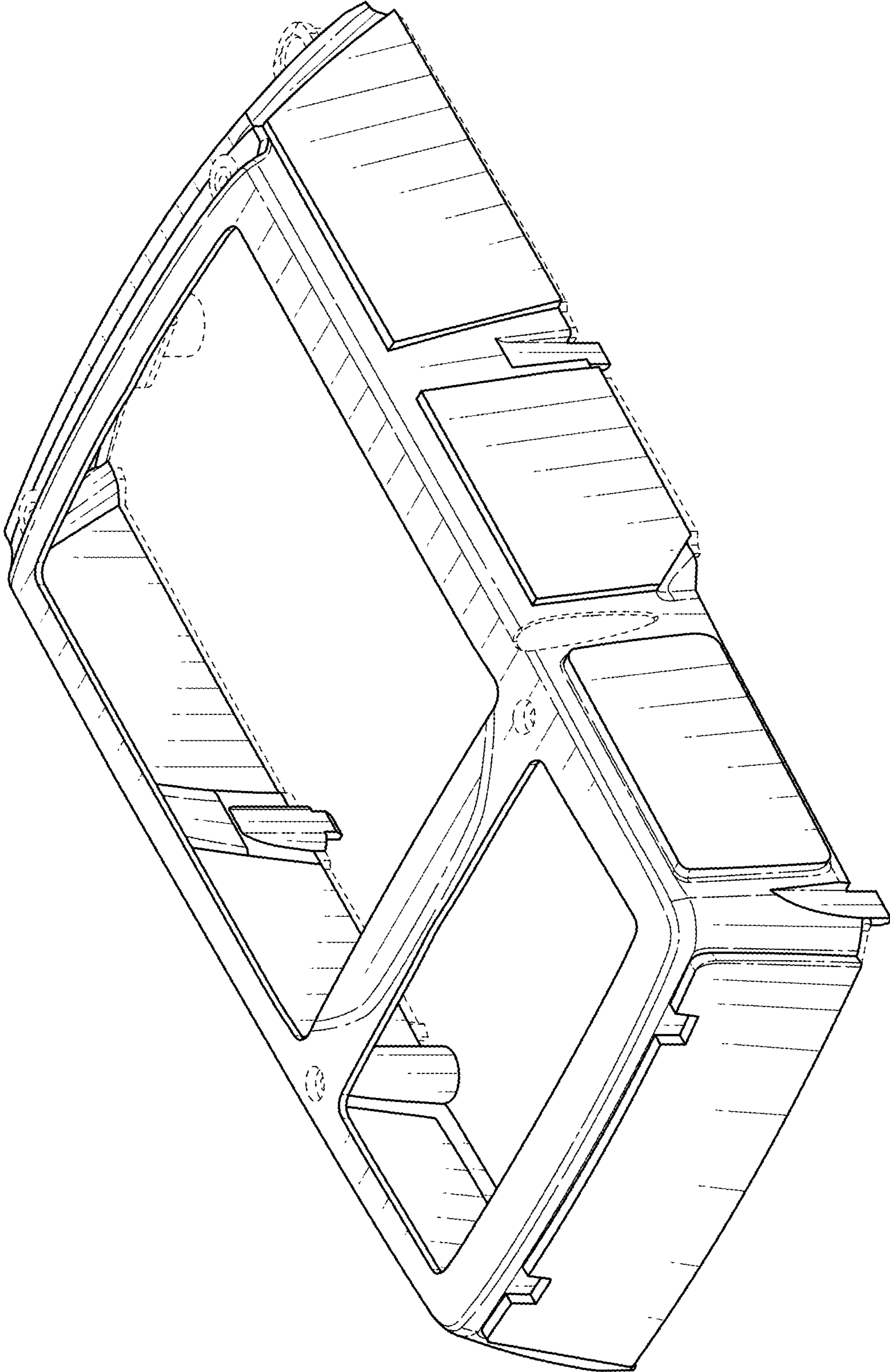


FIG. 8



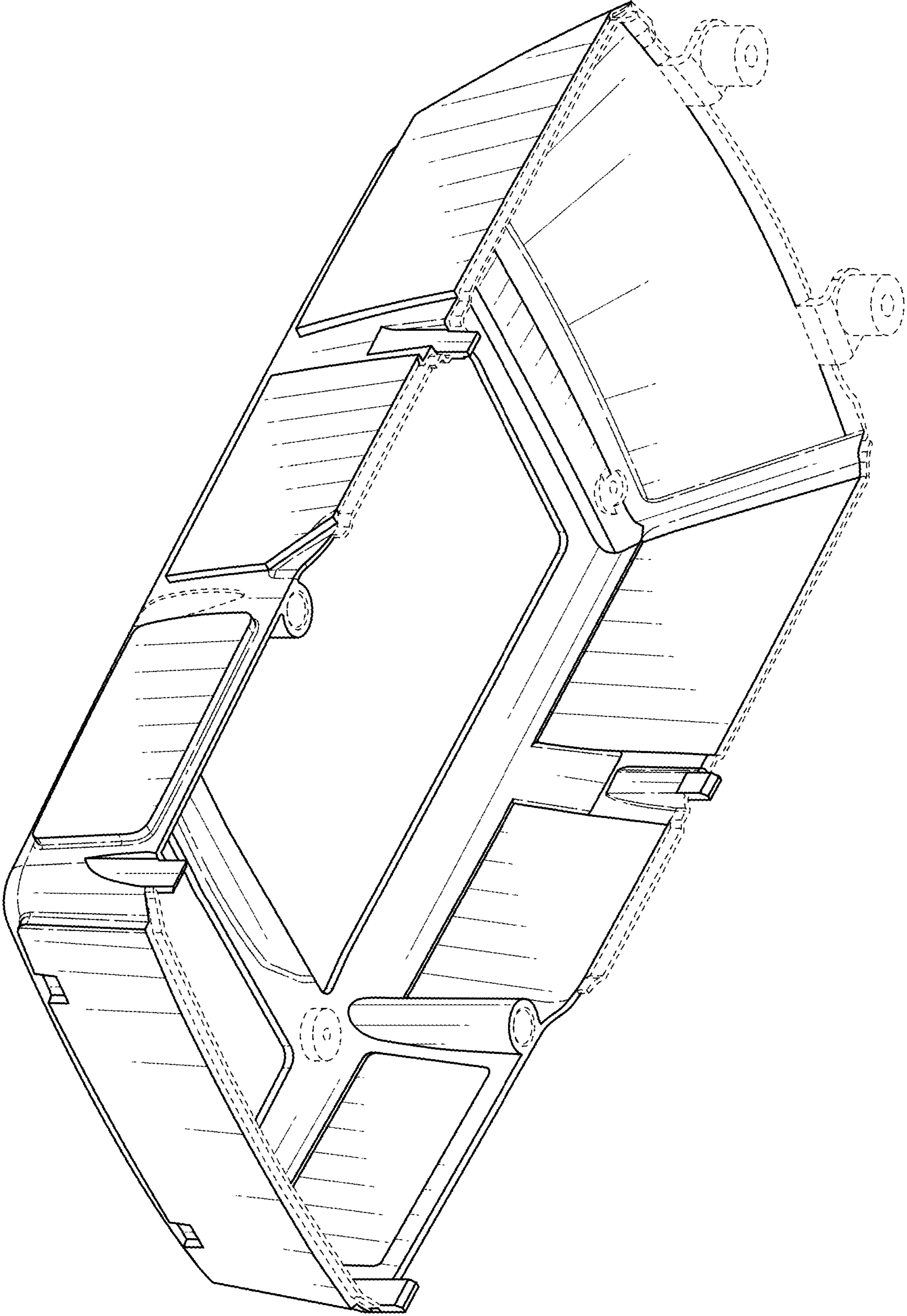


FIG. 9