



US0D1051811S

(12) **United States Design Patent** (10) **Patent No.:** **US D1,051,811 S**
Rowley (45) **Date of Patent:** **** Nov. 19, 2024**

(54) **DOCKING SYSTEM ADAPTER**

Primary Examiner — Christian P. McLean
Assistant Examiner — Jessica Lynn Devilbiss

(71) Applicant: **Arrow Science & Technology, LLC**,
Webster, TX (US)

(57) **CLAIM**

The ornamental design for a docking system adapter, as shown and described.

(72) Inventor: **Mark D. Rowley**, Friendswood, TX
(US)

DESCRIPTION

(73) Assignee: **Arrow Science & Technology, LLC**,
Webster, TX (US)

FIG. 1 is a top-front-left perspective view of a docking system adapter showing my new design;
FIG. 2 is a bottom-rear-right perspective view thereof;
FIG. 3 is a front elevational view thereof;
FIG. 4 is a rear elevational view thereof;
FIG. 5 is a top plan view thereof;
FIG. 6 is a bottom plan view thereof;
FIG. 7 is a right elevational view thereof;
FIG. 8 is a left elevational view thereof;
FIG. 9 is a magnified view taken about circle 9 in FIG. 1 showing of the diametrically larger opening;
FIG. 10 is a magnified view taken about circle 10 in FIG. 2 showing the diametrically larger opening;
FIG. 11 is a cross-sectional view taken along line 11-11 in FIG. 4;
FIG. 12 is a cross-sectional view taken along line 12-12 in FIG. 4;
FIG. 13 is a magnified view taken about circle 13 in FIG. 11 showing the diametrically smaller opening;
FIG. 14 is a magnified view taken about circle 14 in FIG. 11 showing the diametrically larger opening;
FIG. 15 is a magnified view taken about circle 15 in FIG. 11 showing the diametrically larger opening;
FIG. 16 is a magnified view taken about circle 16 in FIG. 12 showing the diametrically smaller;
FIG. 17 is a magnified view taken about circle 17 in FIG. 12 showing the diametrically larger opening;
FIG. 18 is a magnified view taken about circle 18 in FIG. 12 showing the diametrically larger opening;
FIG. 19 is a reduced top-front-left exploded perspective view thereof, wherein the docking system adapter is shown with a docking system interface and a module;
FIG. 20 is a reduced bottom-rear-right exploded perspective view thereof; and,

(**) Term: **15 Years**

(21) Appl. No.: **29/880,518**

(22) Filed: **Jul. 24, 2023**

(51) **LOC (14) Cl.** **12-07**

(52) **U.S. Cl.**
USPC **D12/345**

(58) **Field of Classification Search**
USPC D12/16.1, 1-4, 174, 319-345; D21/301,
D21/436, 441, 442, 443, 444, 446, 447,
D21/448, 449, 450, 451, 452, 453
(Continued)

(56) **References Cited**

U.S. PATENT DOCUMENTS

3,201,065 A * 8/1965 Dunn B64G 1/646
244/3
3,443,773 A * 5/1969 Crawford B64G 1/646
244/172.4

(Continued)

OTHER PUBLICATIONS

“Meet the International Docking Adapter” nasa.gov, post Published Oct. 5, 2015. Retrieved Jul. 9, 2024. Available online at URL: <https://www.nasa.gov/missions/station/meet-the-international-docking-adapter/> (Year: 2015).*

(Continued)

(Continued)

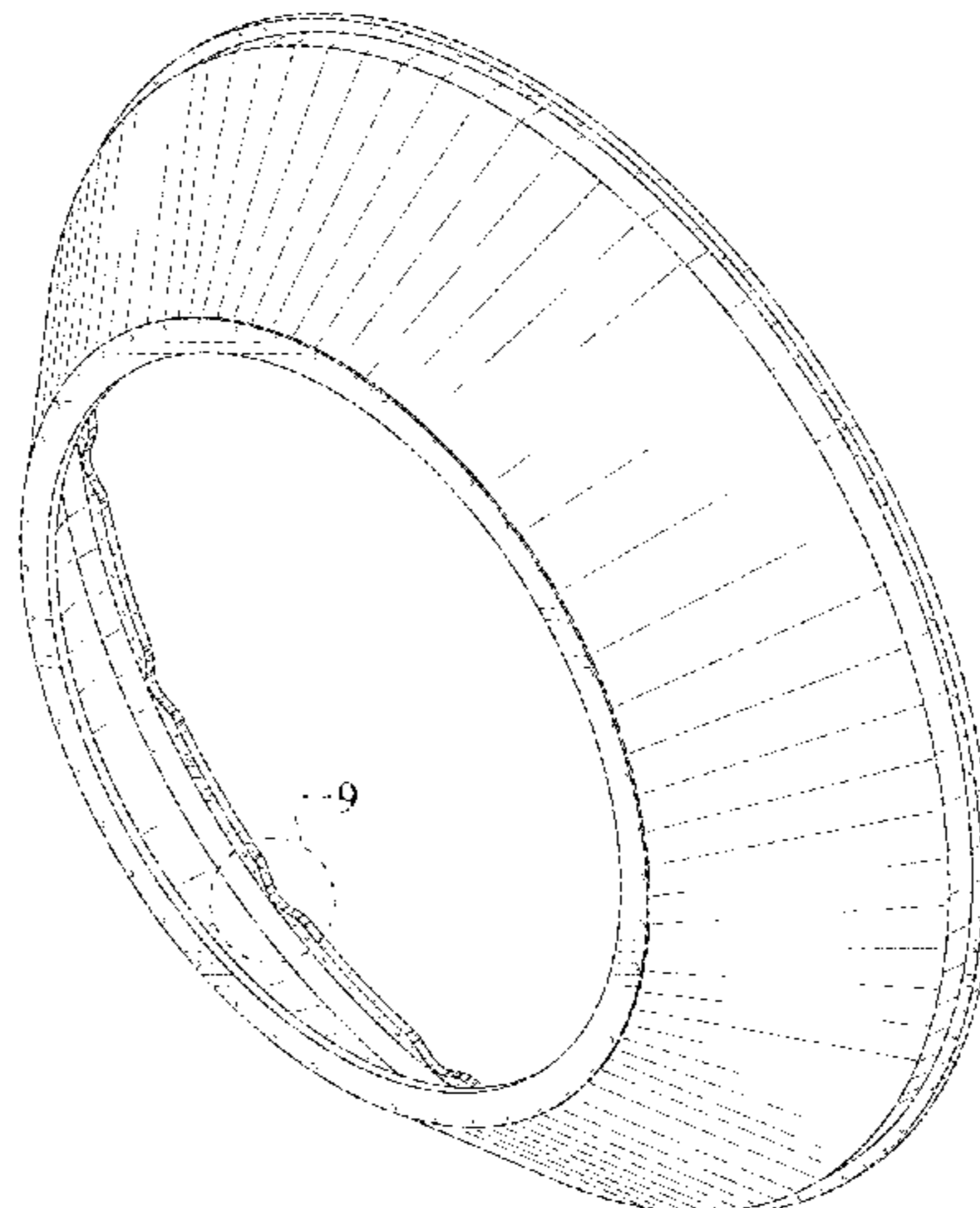


FIG. 21 is a reduced top-front-left perspective view thereof, wherein the docking system interface is shown connected to the module by the docking system adapter.

The broken lines showing fastener orifices in FIGS. 1-4, 9-12, and 14-20, illustrate portions of the docking system adapter that form no part of the claimed design. The broken line circles shown in FIGS. 1, 2, and 9-18, describe the periphery of the enlarged views of the docking system adapter and form no part of the claimed design. The broken lines showing a docking system interface and a module in FIGS. 19-21 illustrate the environment in which the docking system adapter is embodied and forms no part of the claimed design.

1 Claim, 21 Drawing Sheets

(58) **Field of Classification Search**

CPC B64F 1/02; B64F 1/36

See application file for complete search history.

(56)

References Cited

U.S. PATENT DOCUMENTS

| | | | | |
|--------------|------|---------|---------------|------------------------|
| 4,898,348 | A | 2/1990 | Kahn | |
| 2014/0151509 | A1 * | 6/2014 | Zelon | B64G 1/14 244/158.9 |
| 2016/0224064 | A1 * | 8/2016 | Fleisig | G06F 1/266 |
| 2017/0073084 | A1 * | 3/2017 | Mozer | B64U 80/25 |
| 2018/0032104 | A1 * | 2/2018 | Schatz | G06F 1/1683 |
| 2021/0026409 | A1 * | 1/2021 | Miles | F16M 13/02 |
| 2021/0124395 | A1 * | 4/2021 | Barnett | G06F 3/03547 |
| 2022/0325491 | A1 * | 10/2022 | Miller | B63B 59/00 |

OTHER PUBLICATIONS

“ANASA develops new docking system for Constellation” flightglobal.com, post Published Jan. 4, 2008. Retrieved Jul. 9, 2024. Available online at URL:<https://www.flightglobal.com/nasa-develops-new-docking-system-for-constellation/78090.article> (Year: 2008).*

Wikiwand, International Docking Adapter, Retrieved From Internet, Retrieved on Jul. 24, 2023, <URL: https://www.wikiwand.com/en/International_Docking_Adapter>.

* cited by examiner

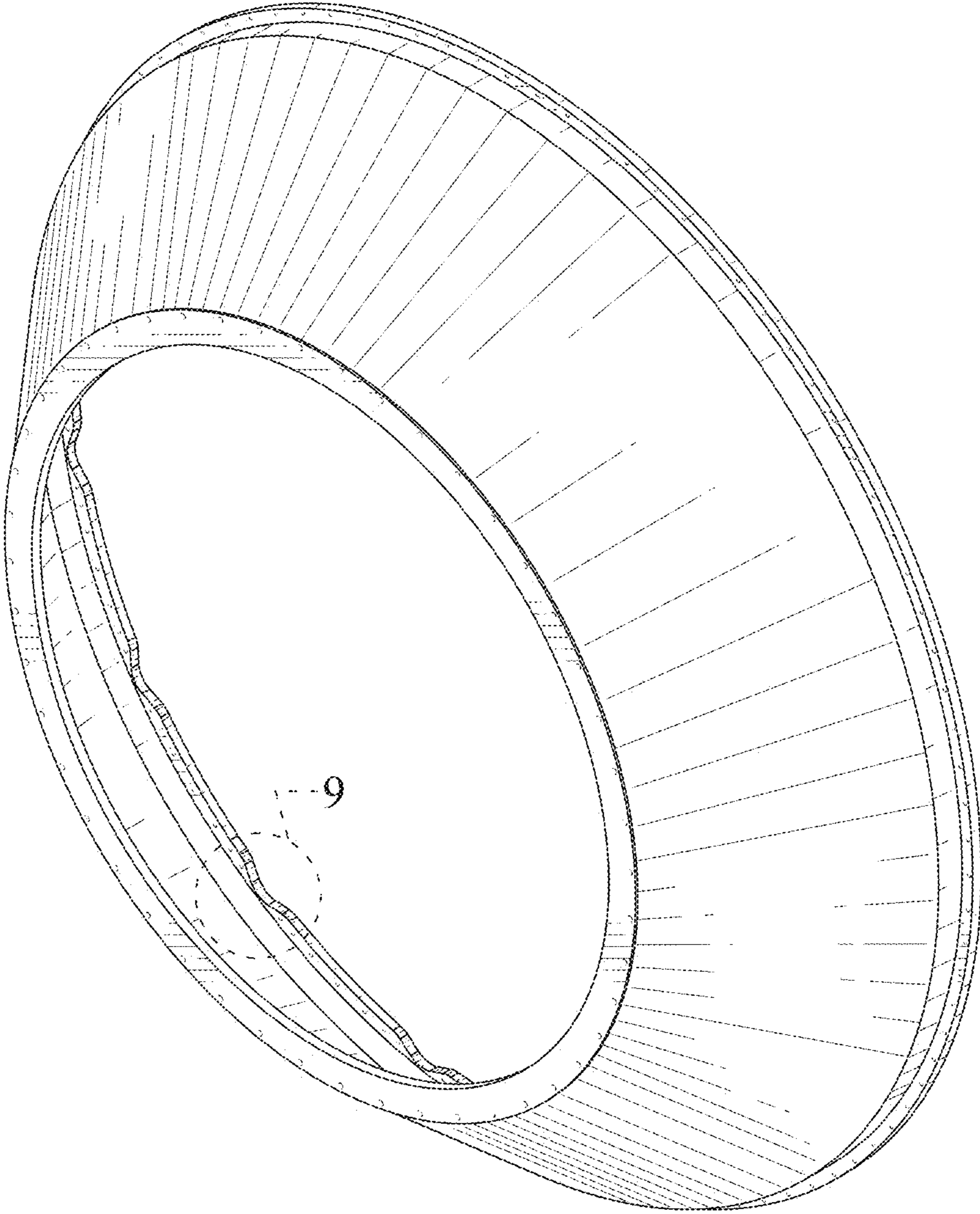


FIG. 1

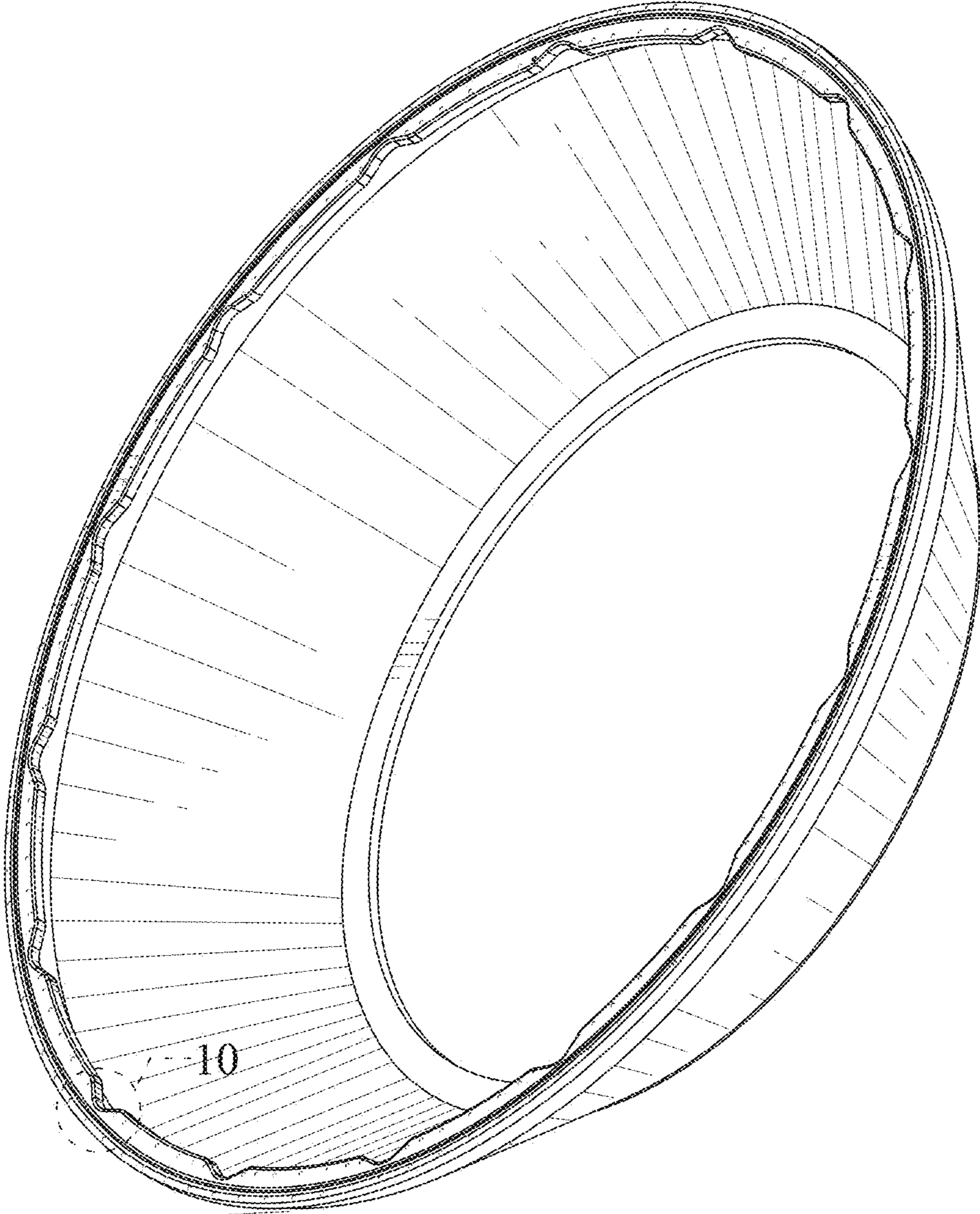


FIG. 2

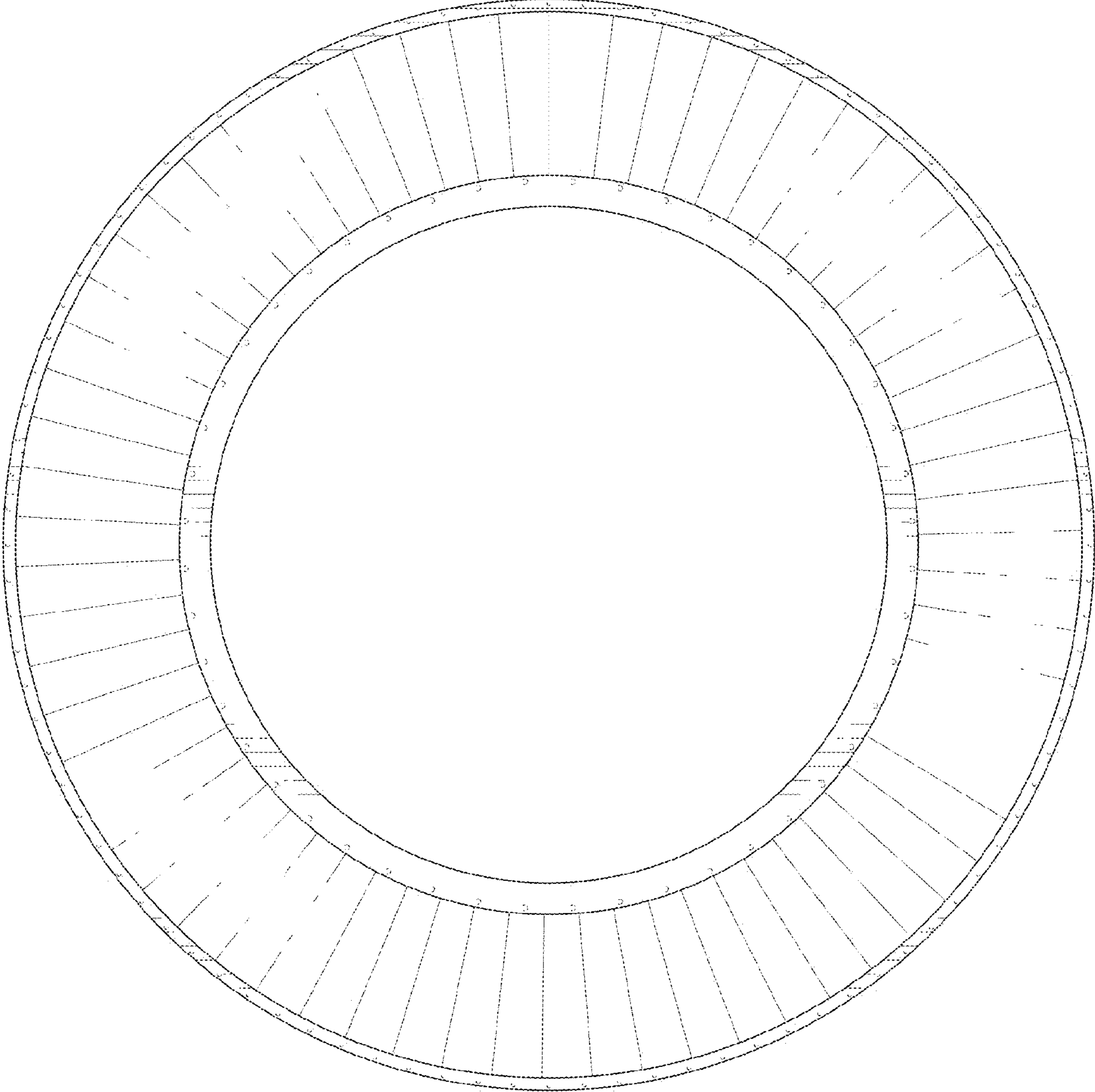


FIG. 3

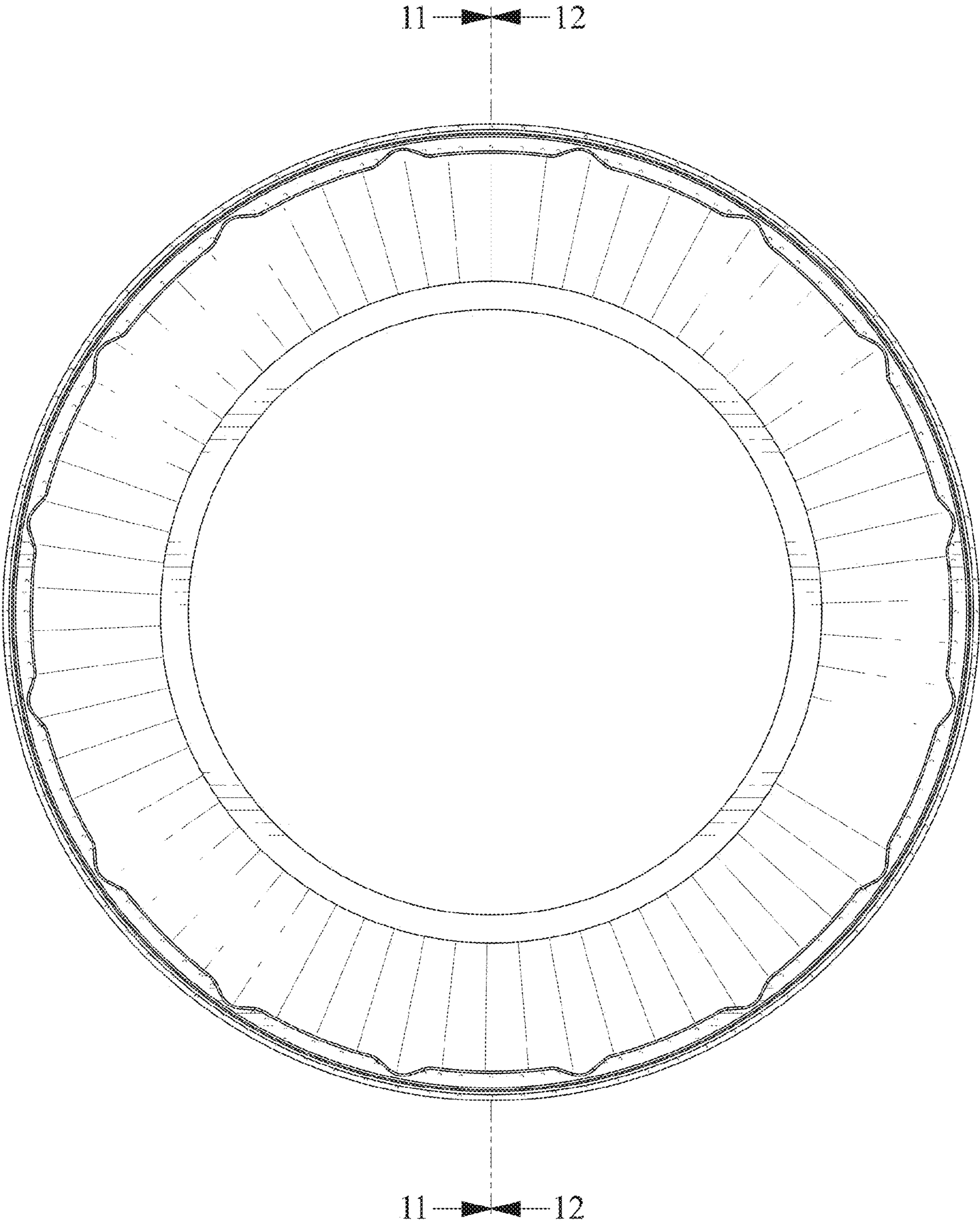


FIG. 4

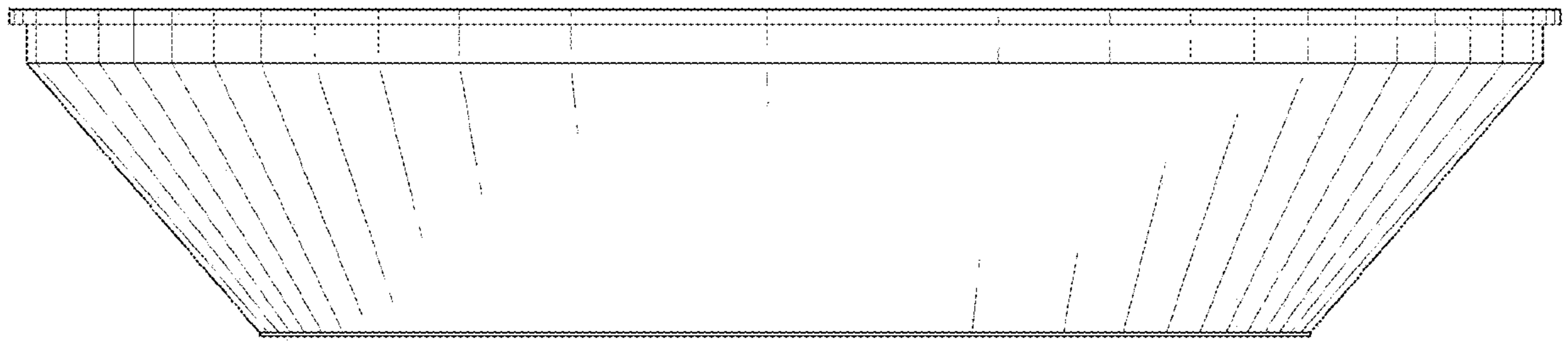


FIG. 5

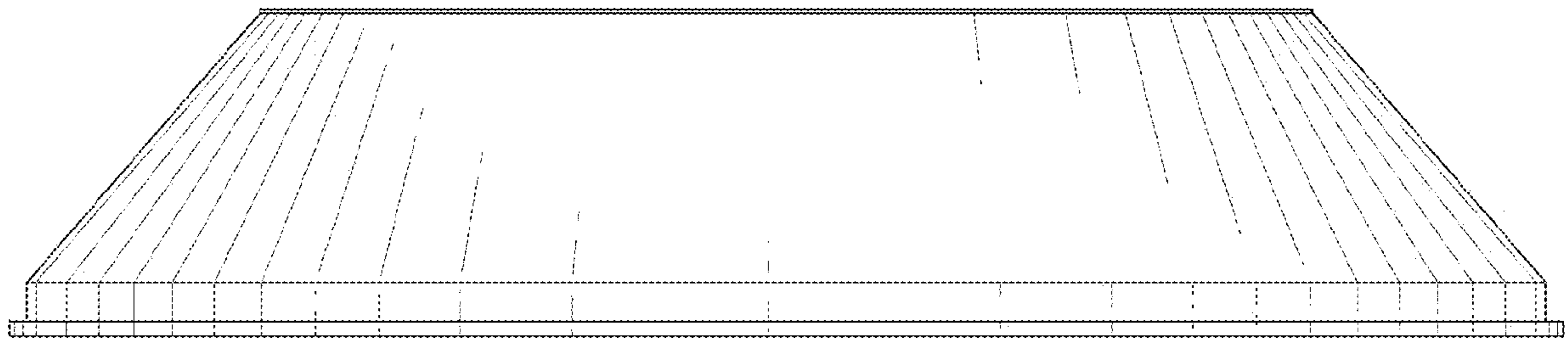


FIG. 6

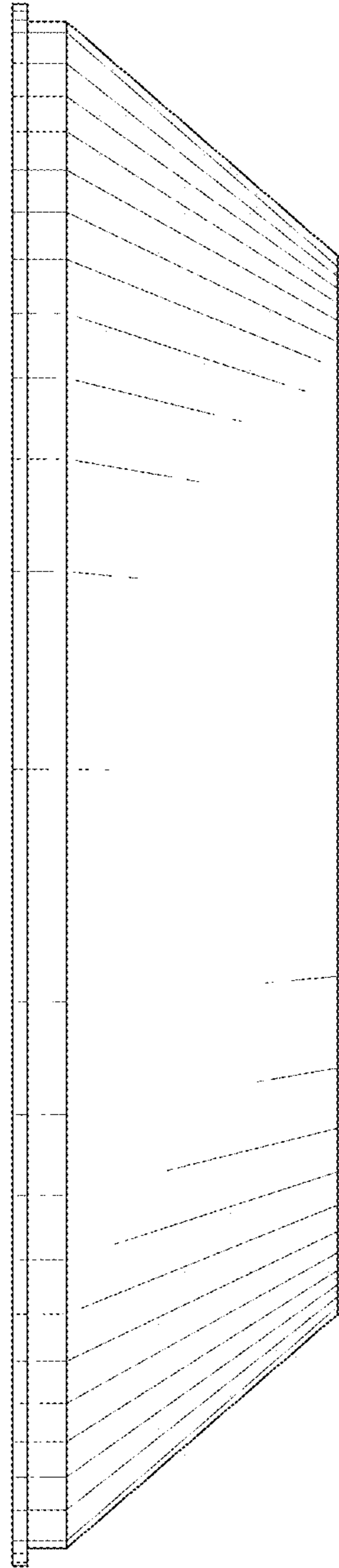


FIG. 7

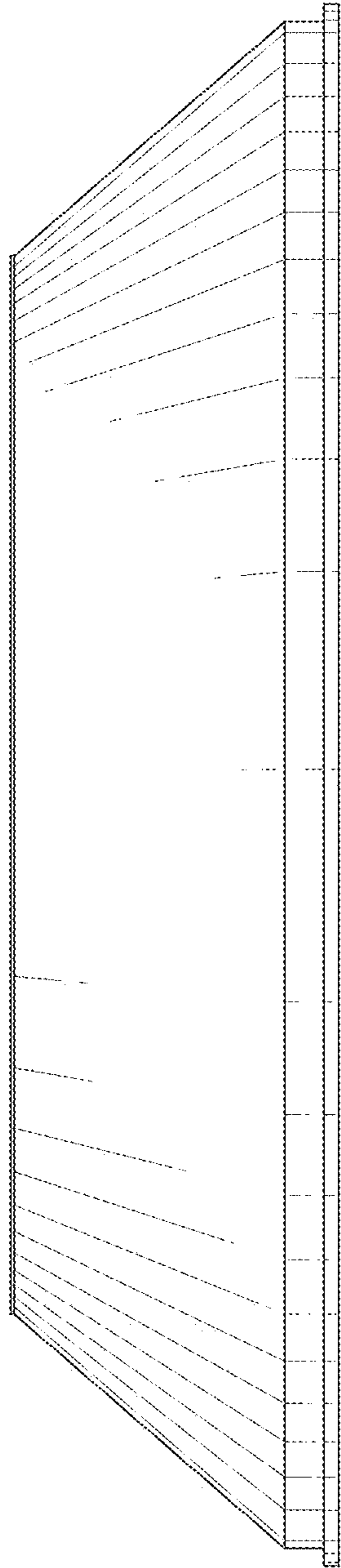


FIG. 8

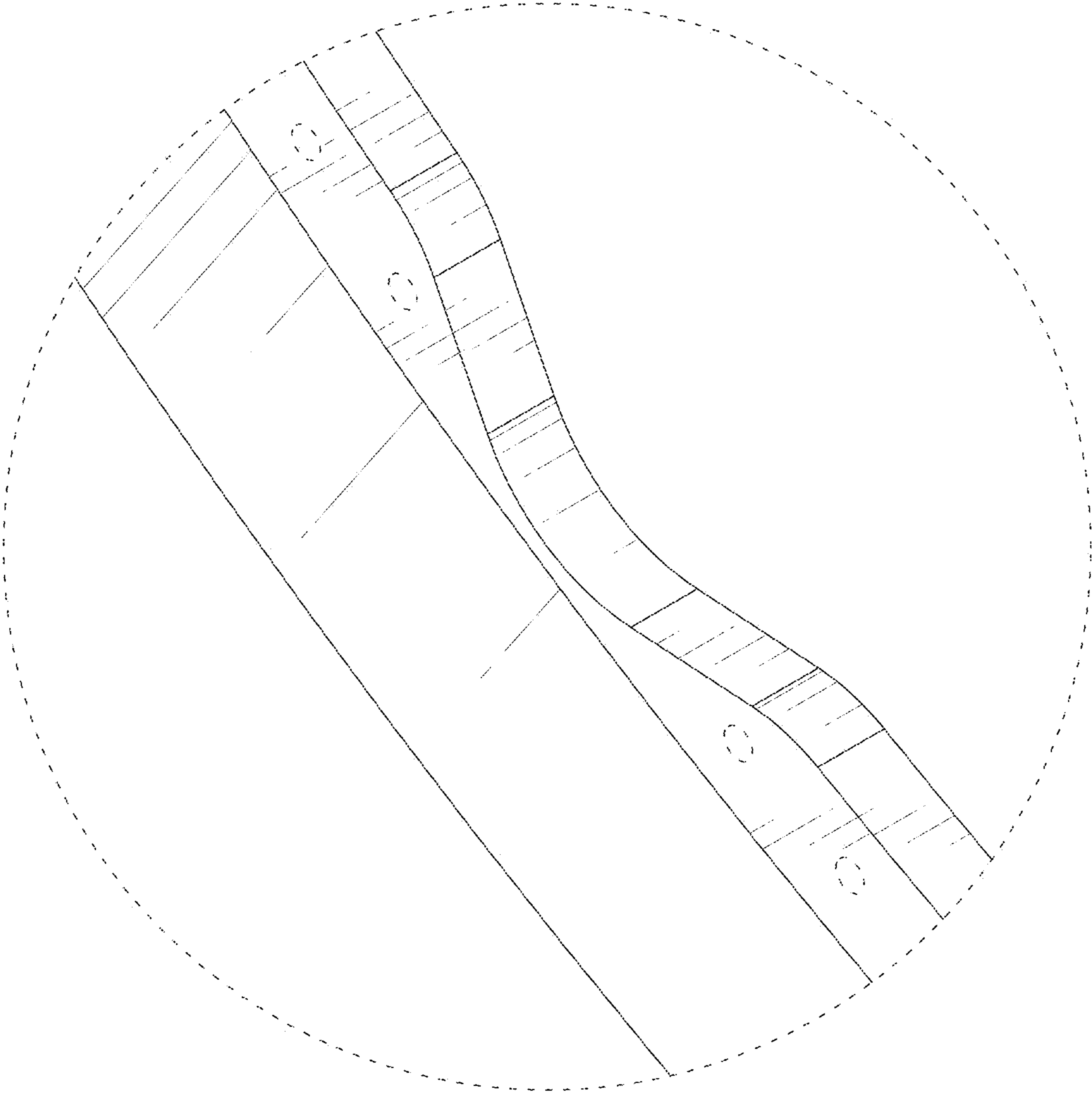


FIG. 9

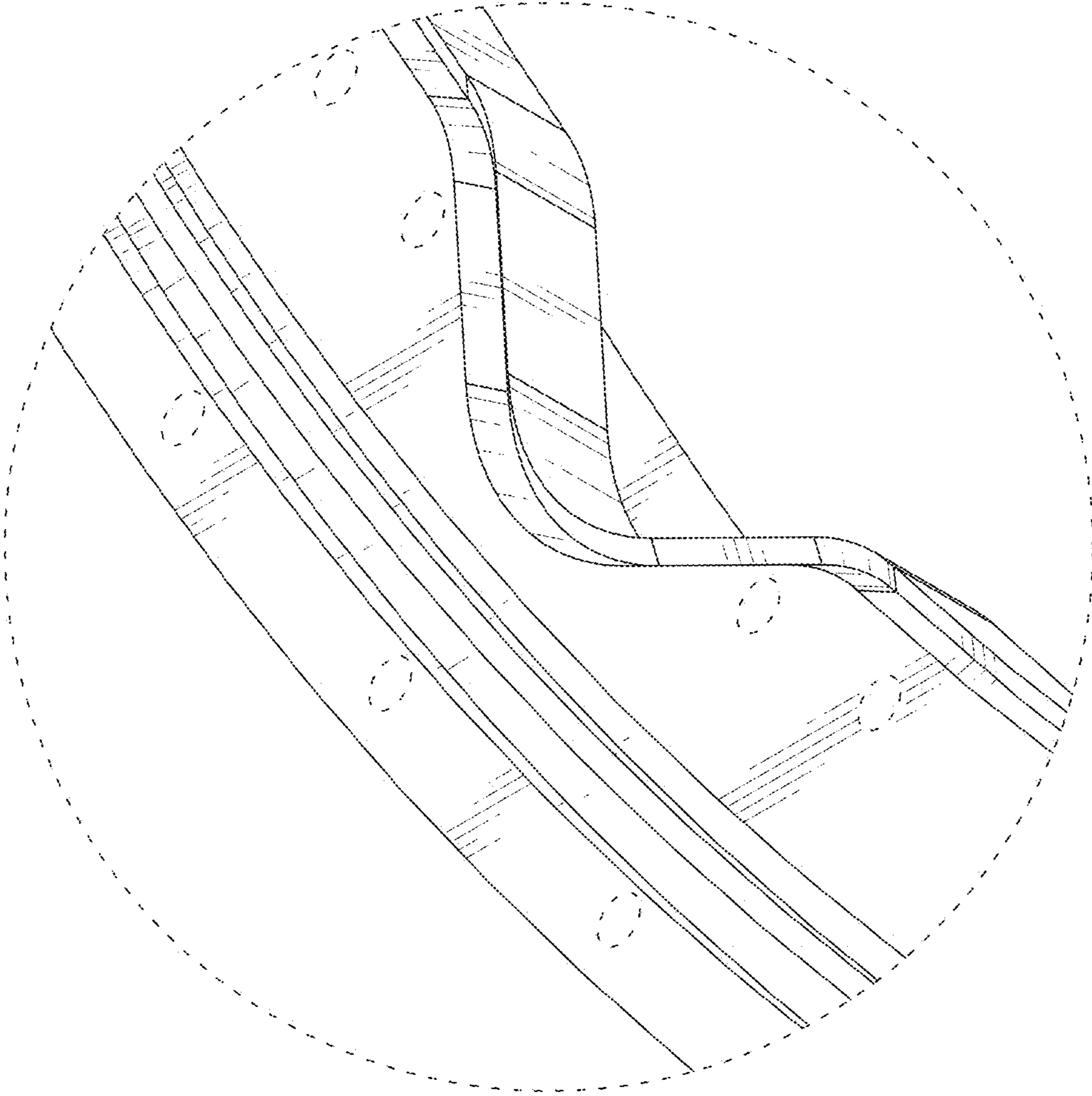


FIG. 10

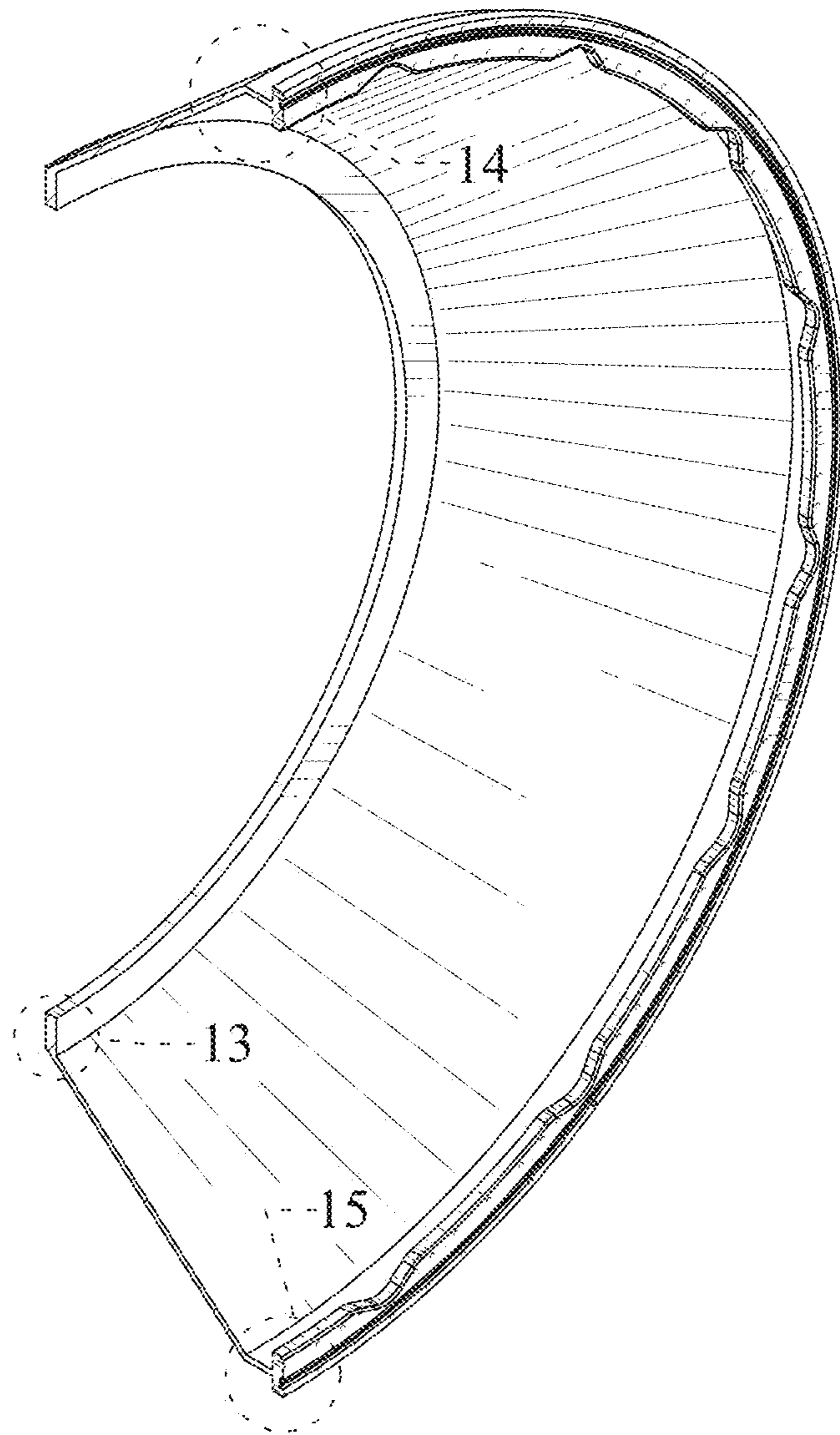


FIG. 11

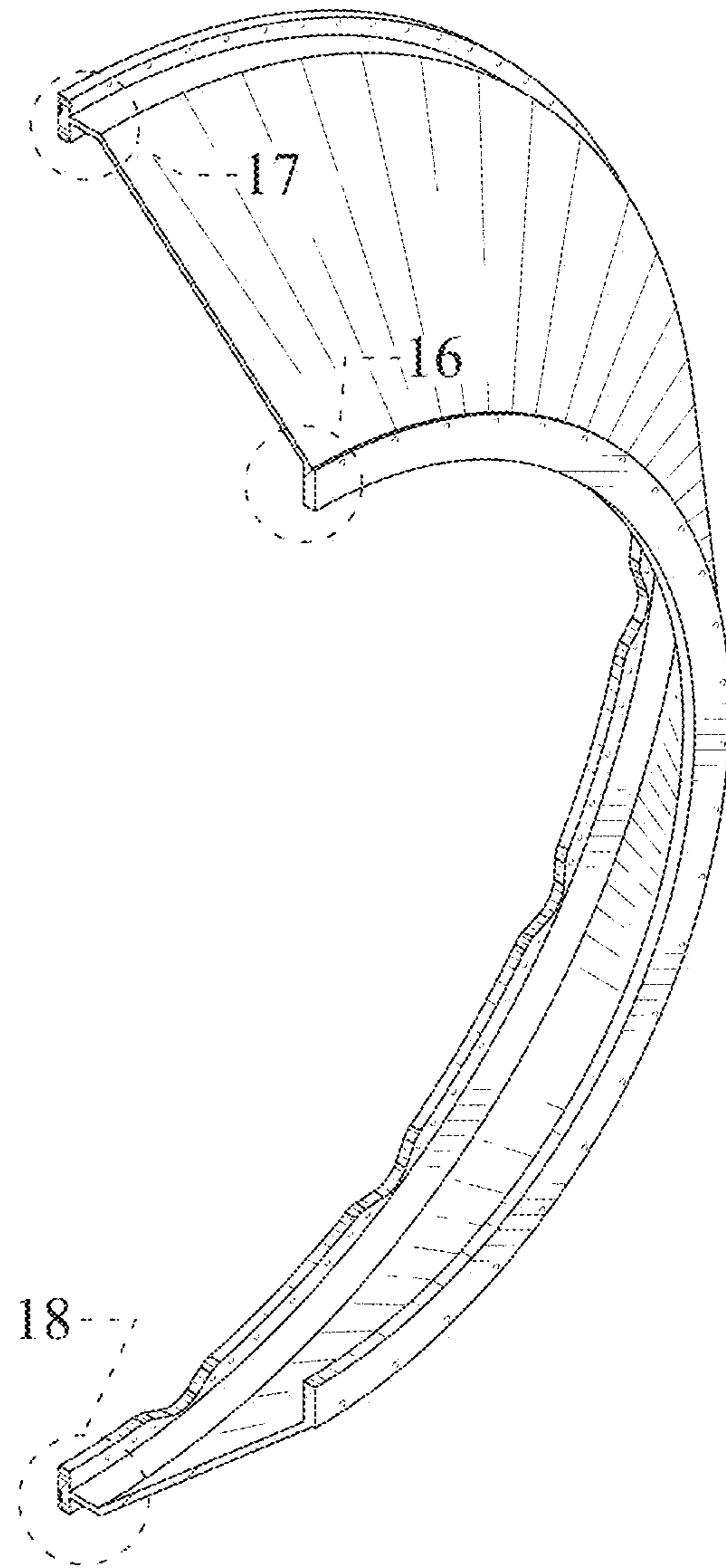


FIG. 12

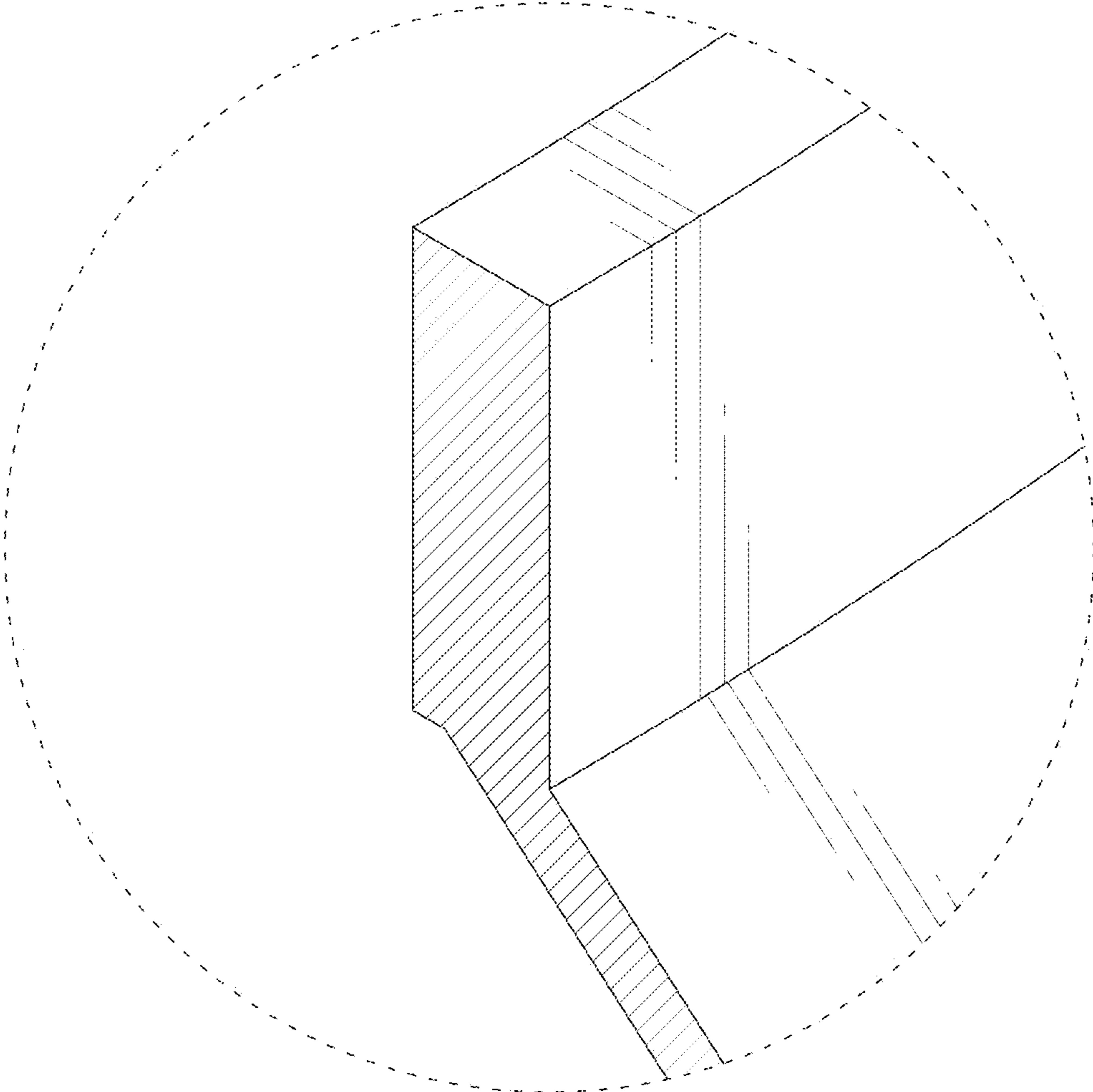


FIG. 13

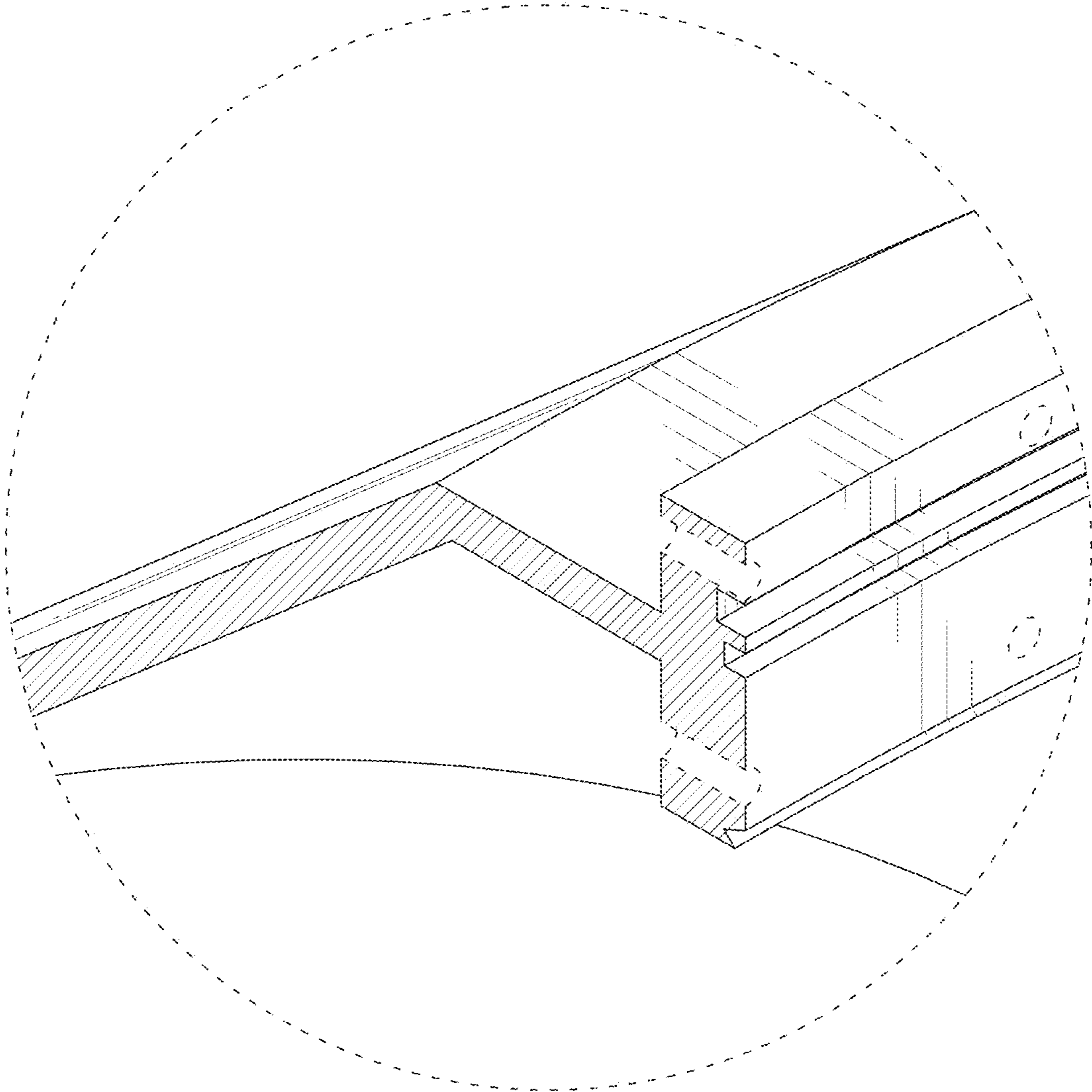


FIG. 14

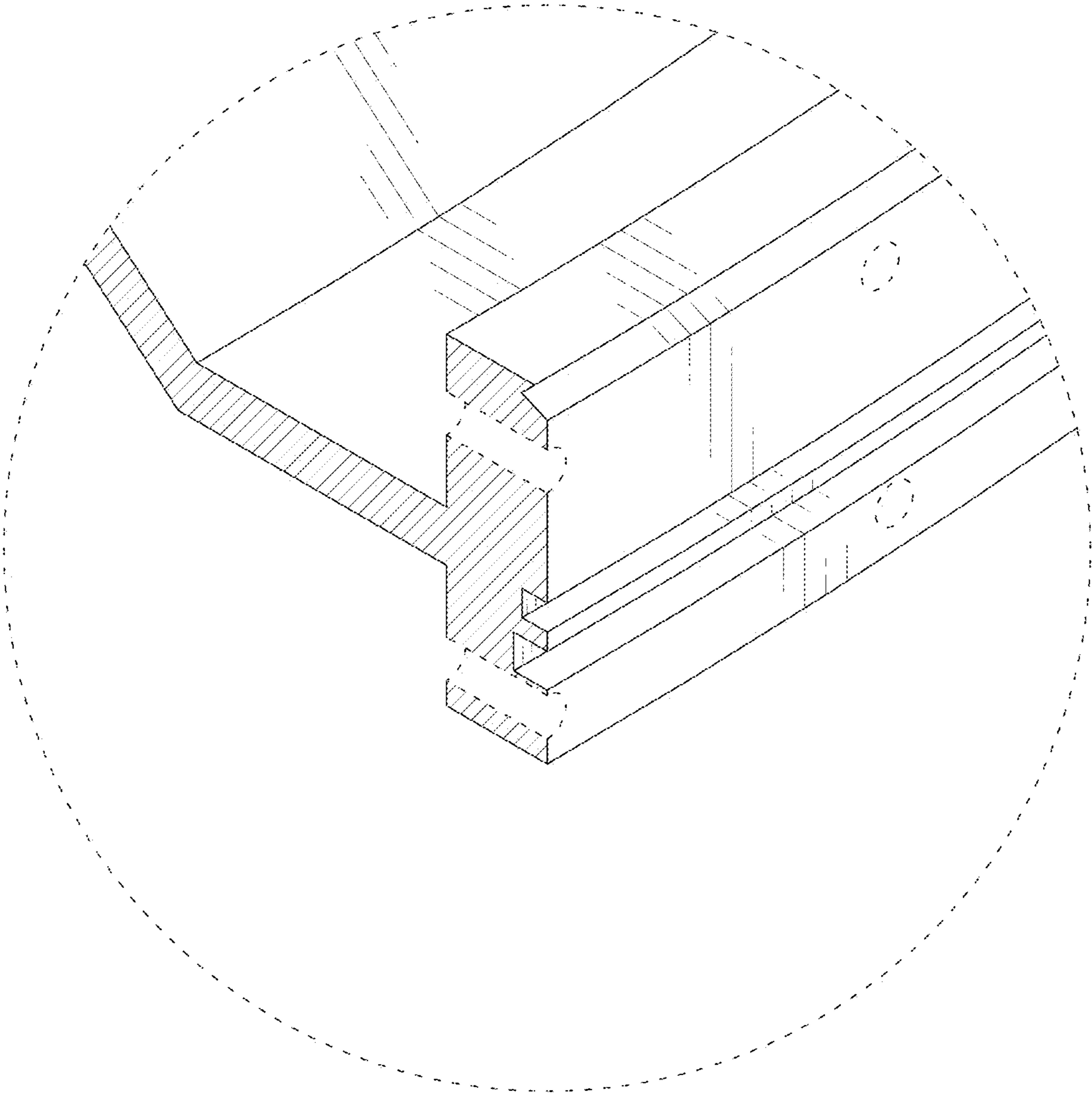


FIG. 15

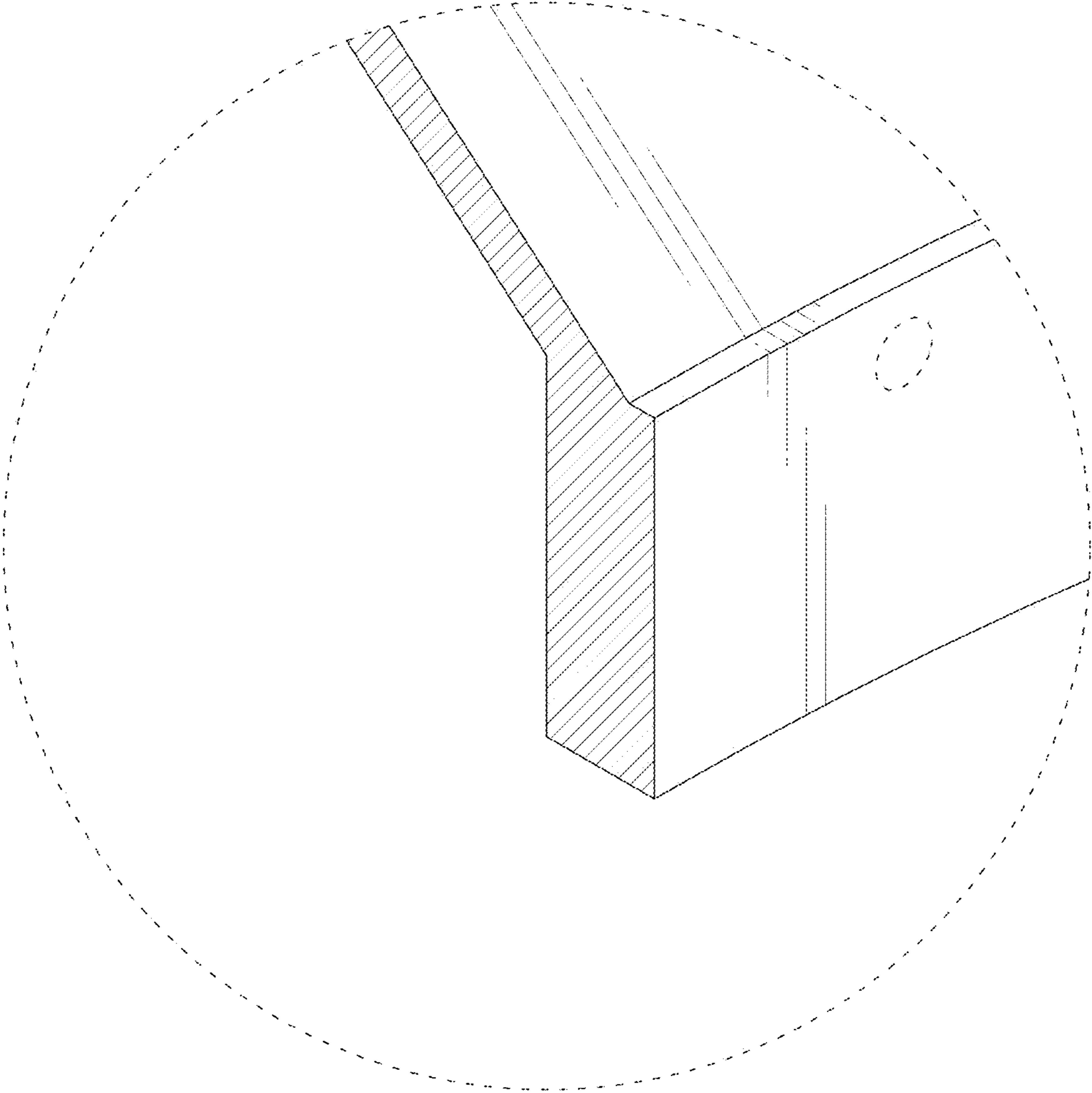


FIG. 16

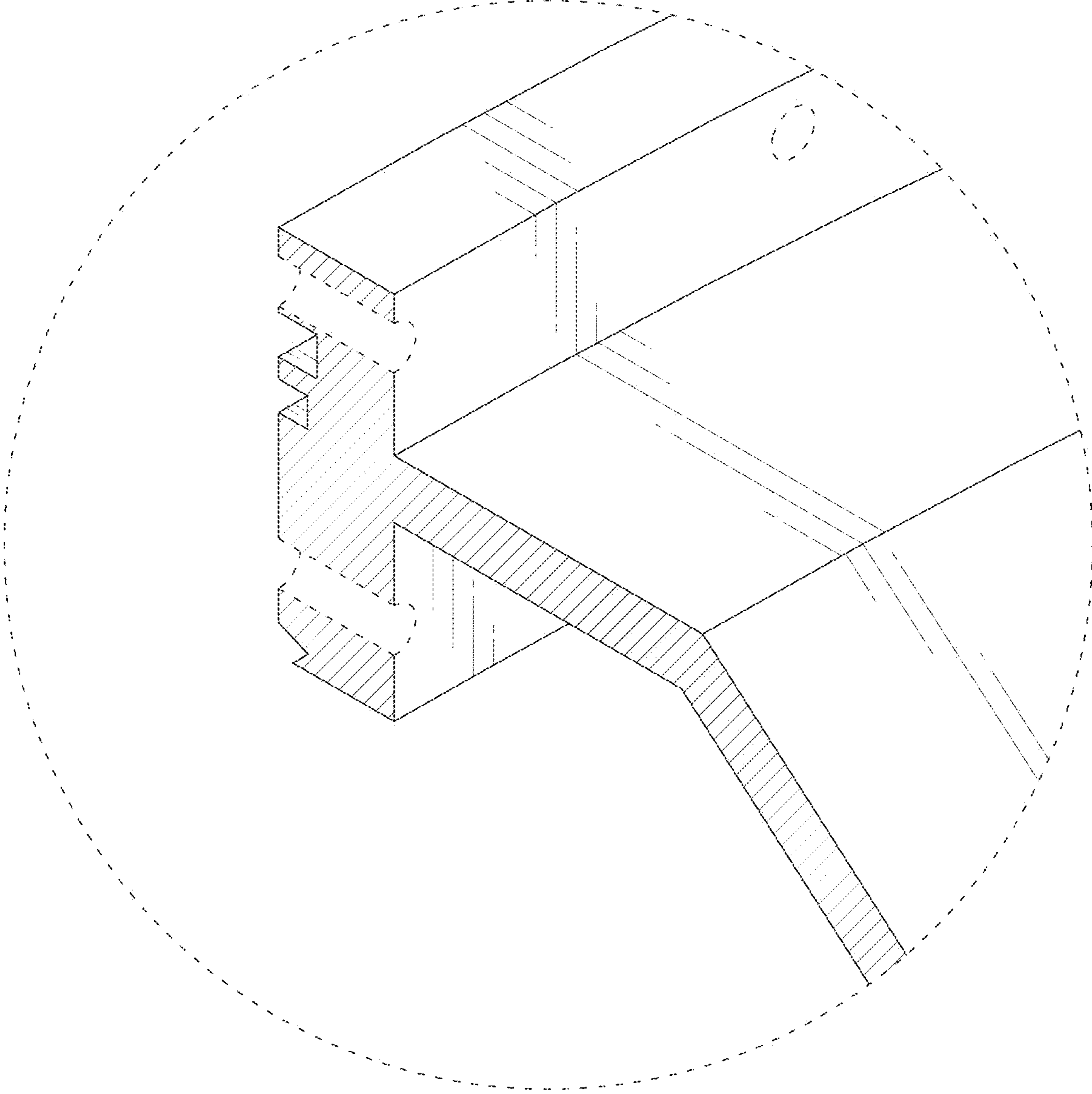


FIG. 17

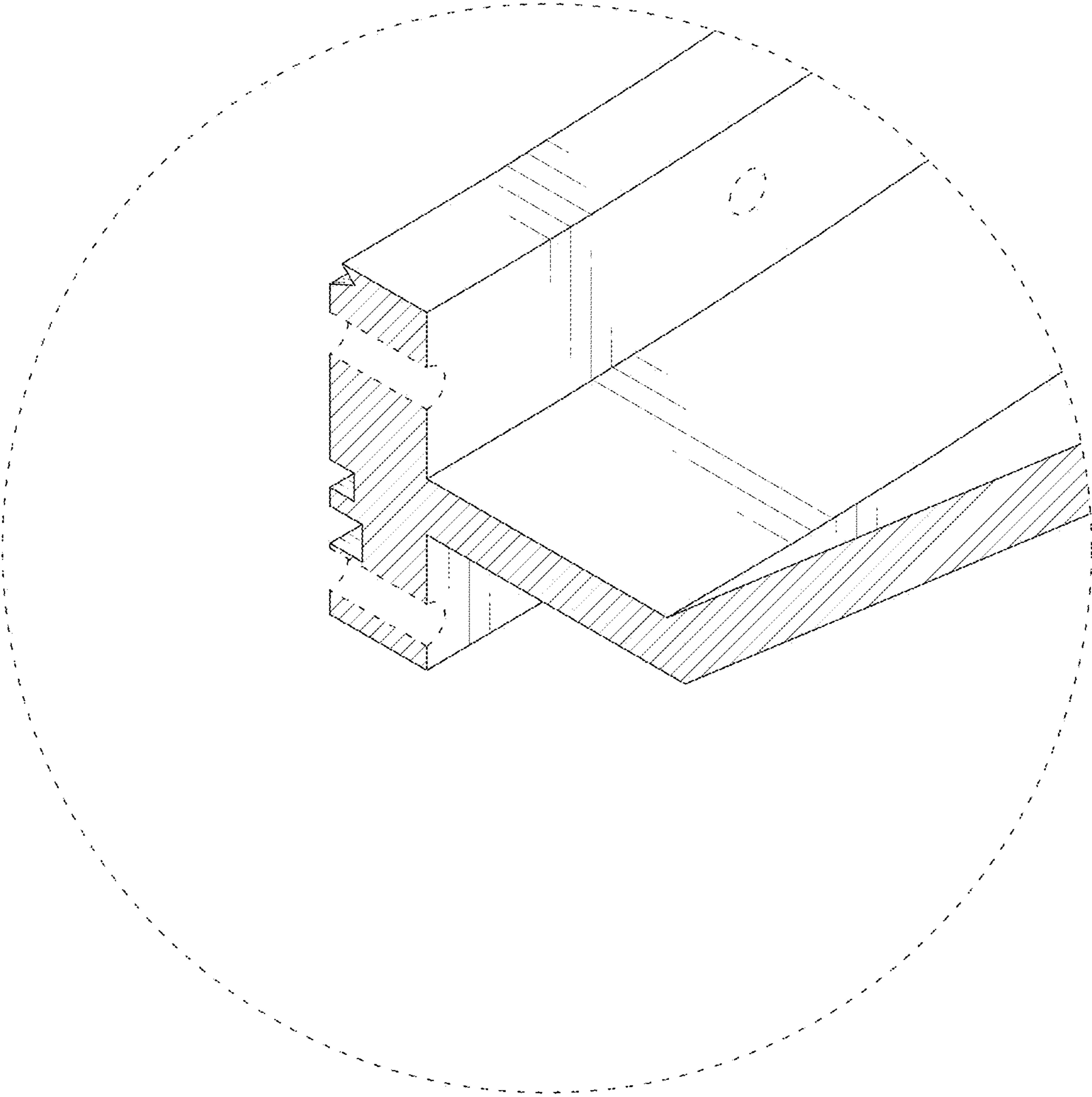


FIG. 18

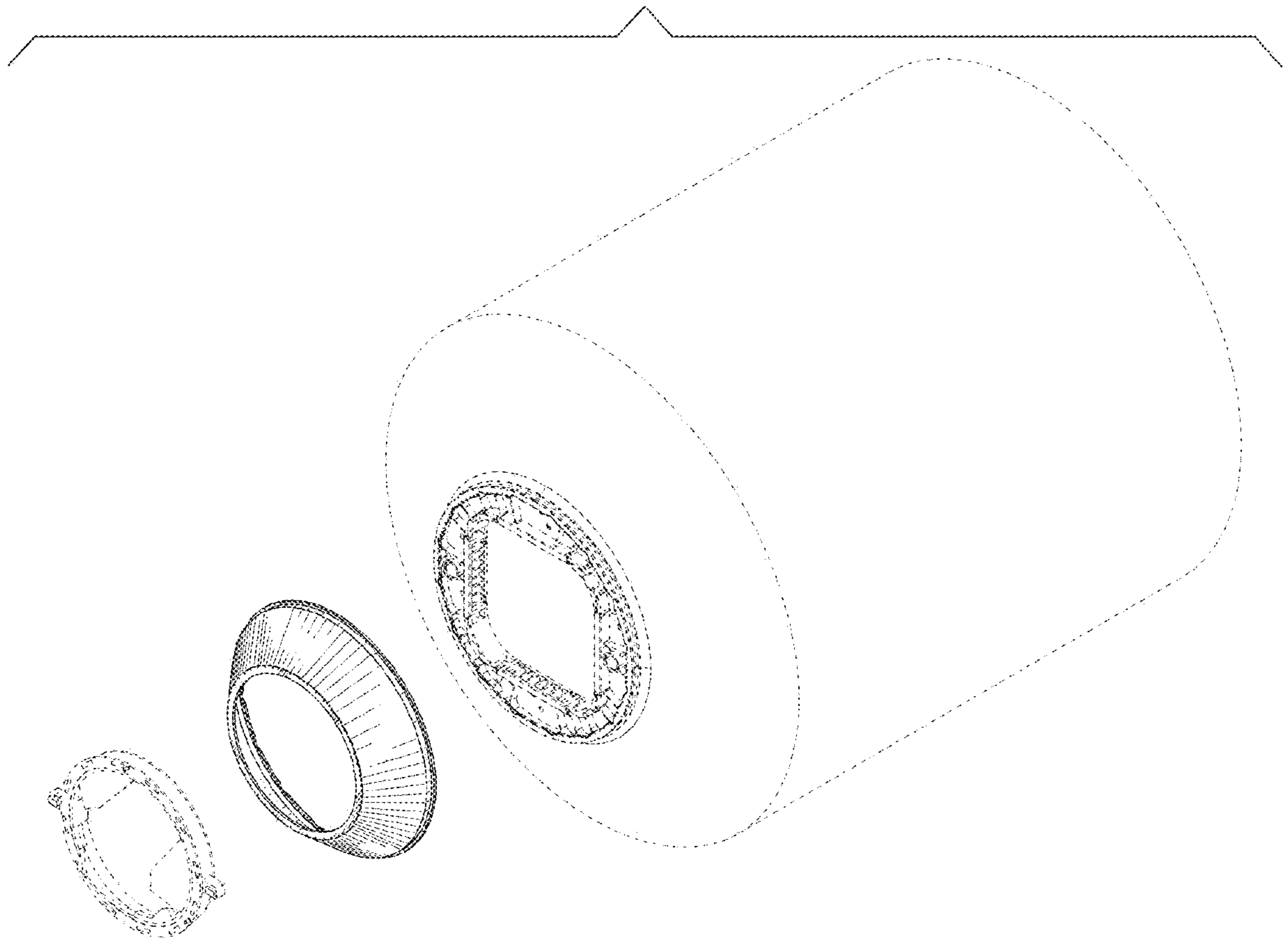


FIG. 19

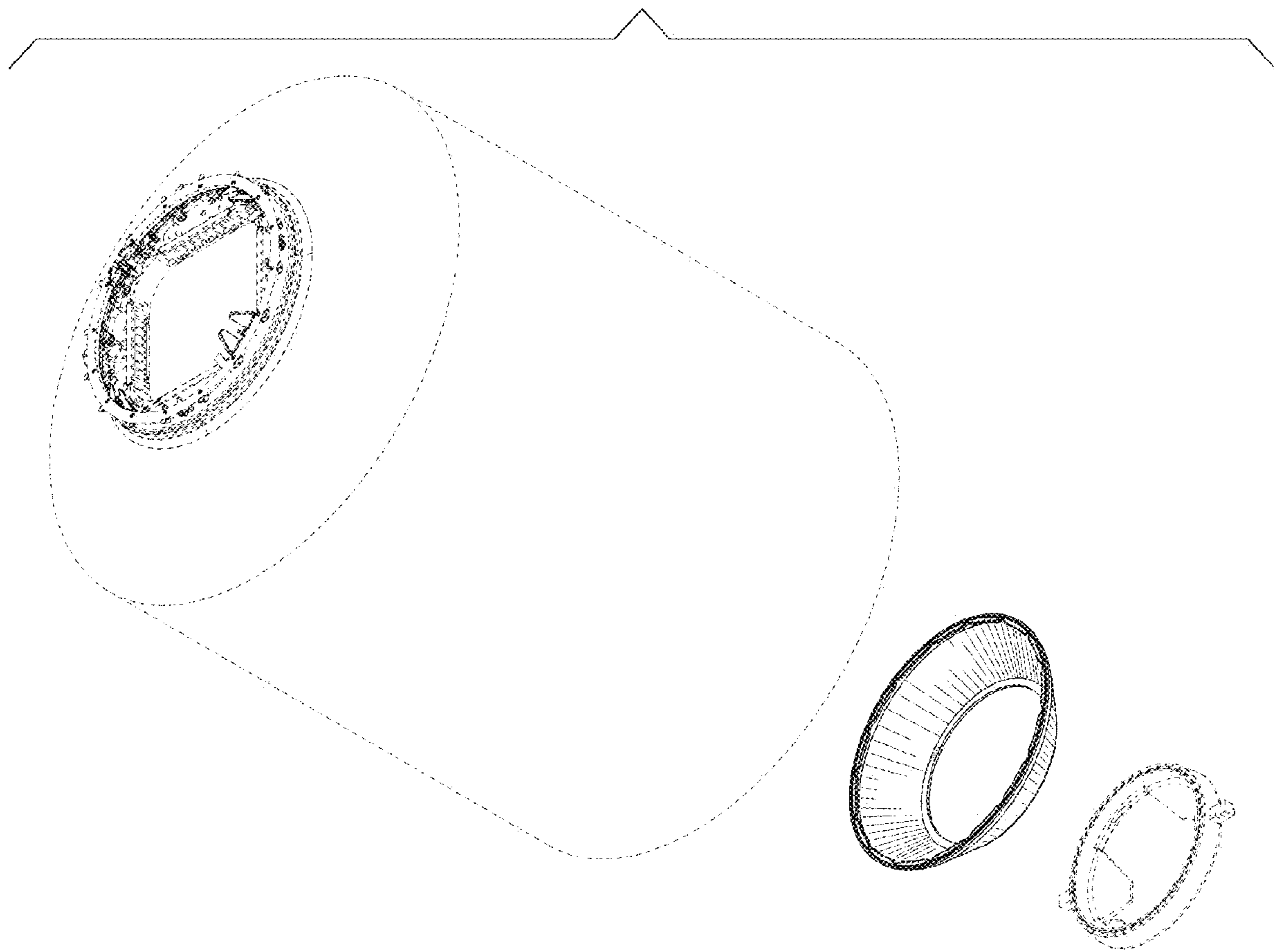


FIG. 20

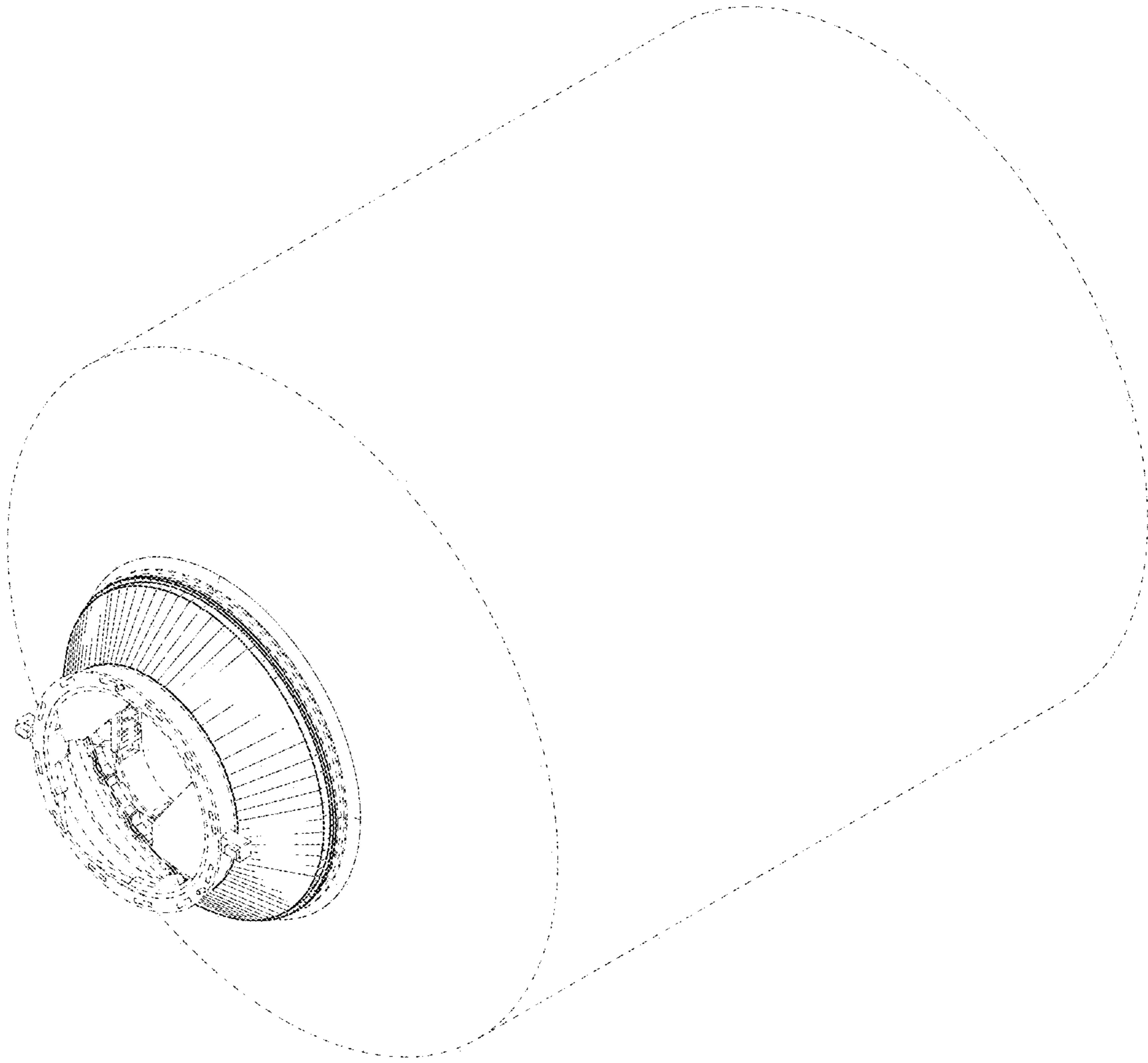


FIG. 21