



US0D1051335S

(12) **United States Design Patent** (10) **Patent No.:** **US D1,051,335 S**
Roque (45) **Date of Patent:** **** Nov. 12, 2024**

(54) **CEILING FAN**

OTHER PUBLICATIONS

(71) Applicant: **CRAFTMADE INTERNATIONAL, INC.**, Grand Prairie, TX (US)

Craftmade Daybreak Ceiling Fan, Jun. 22, 2024, homedepot.com, <
<https://www.homedepot.com/p/CRAFTMADE-Daybreak-52-in-Indoor-Polished-Nickel-Finish-Ceiling-Fan-with-Smart-Wi-Fi-Enabled-Remote-and-Integrated-LED-Light-Kit-647881240998/324892146>> (Year: 2024).*

(72) Inventor: **Arnold Rivera Roque**, Grosse Pointe Woods, MI (US)

* cited by examiner

(73) Assignee: **Craftmade International, Inc.**, Grand Prairie, TX (US)

Primary Examiner — Janice Hallmark

(**) Term: **15 Years**

Assistant Examiner — Adedoyin Taiwo Odeyale

(21) Appl. No.: **29/873,085**

(74) *Attorney, Agent, or Firm* — Guy V. Manning

(22) Filed: **Mar. 24, 2023**

(57) **CLAIM**

(51) **LOC (14) Cl.** **23-04**

The ornamental design for a ceiling fan as shown and described.

(52) **U.S. Cl.**
USPC **D23/377**

DESCRIPTION

(58) **Field of Classification Search**
USPC D23/370, 377, 379, 385, 411, 413;
D26/59, 72, 81
CPC F04D 25/088; F04D 29/38; F04D 29/384;
F04D 29/386
See application file for complete search history.

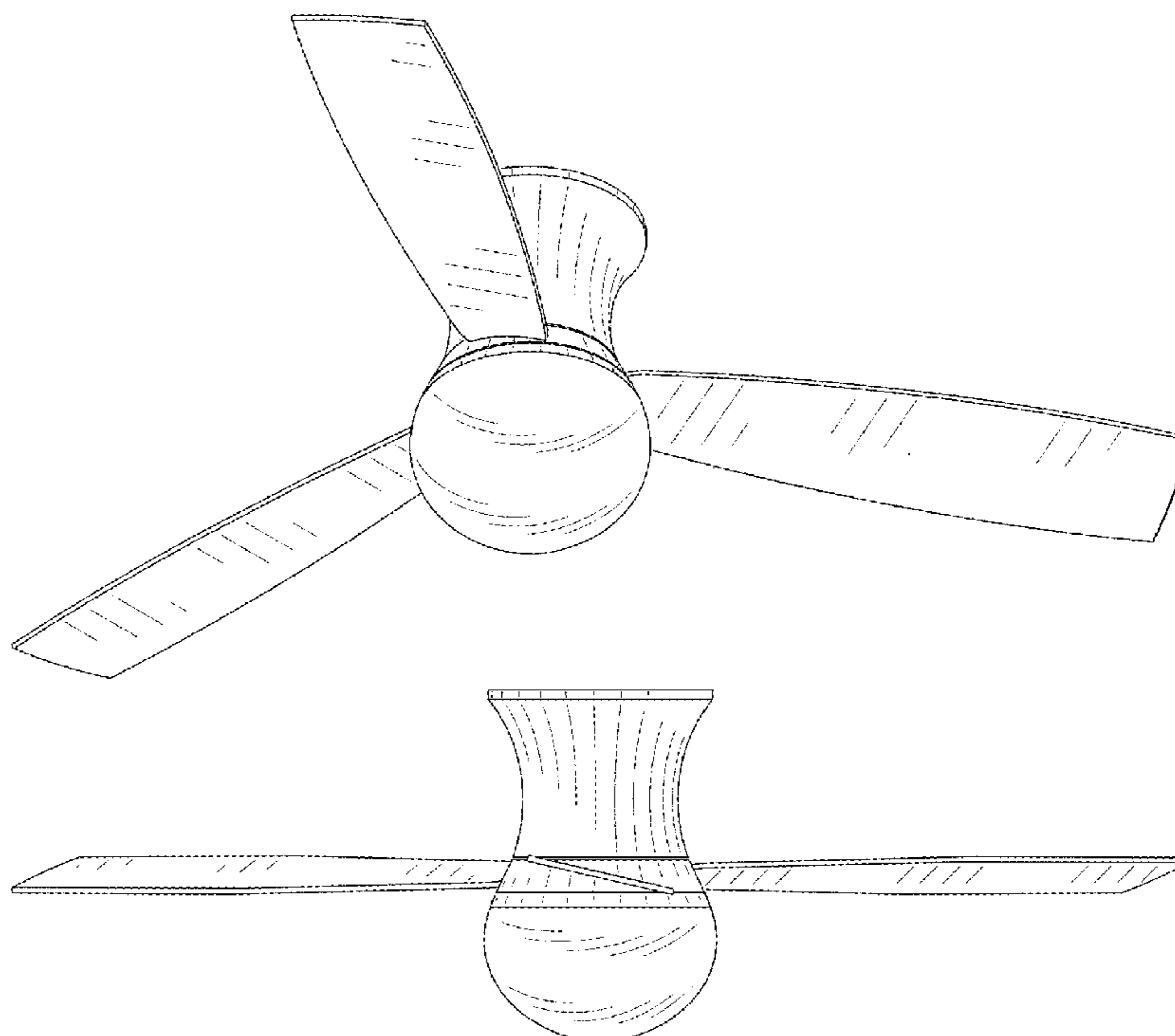
FIG. 1 is a lowered quartering perspective view of the new design for a ceiling fan;
FIG. 2 is an elevated quartering perspective view of the design of FIG. 1;
FIG. 3 is a bottom plan view of the design of FIG. 1;
FIG. 4 is a top plan view of the design of FIG. 1;
FIG. 5 is a left side elevational view of the design of FIG. 1, the right side elevational view thereof being a mirror image of FIG. 5;
FIG. 6 is a front elevational view of the design of FIG. 1; and,
FIG. 7 is a rear elevational view of the design of FIG. 1.
Broken lines included within the figures (FIGS. 2, 4) depict environmental subject matter only and form no part of the claimed design.

(56) **References Cited**

U.S. PATENT DOCUMENTS

D347,887 S *	6/1994	Liu	D23/385
D478,974 S *	8/2003	Hidalgo	D23/377
D800,297 S *	10/2017	Wang	D23/411
D850,602 S *	6/2019	Flores	D26/59
D850,606 S *	6/2019	Wang	D23/377
D873,985 S *	1/2020	Wang	D23/377
D983,349 S *	4/2023	Pan	D23/377
D1,021,052 S *	4/2024	Biancuzzo	D23/377

1 Claim, 4 Drawing Sheets



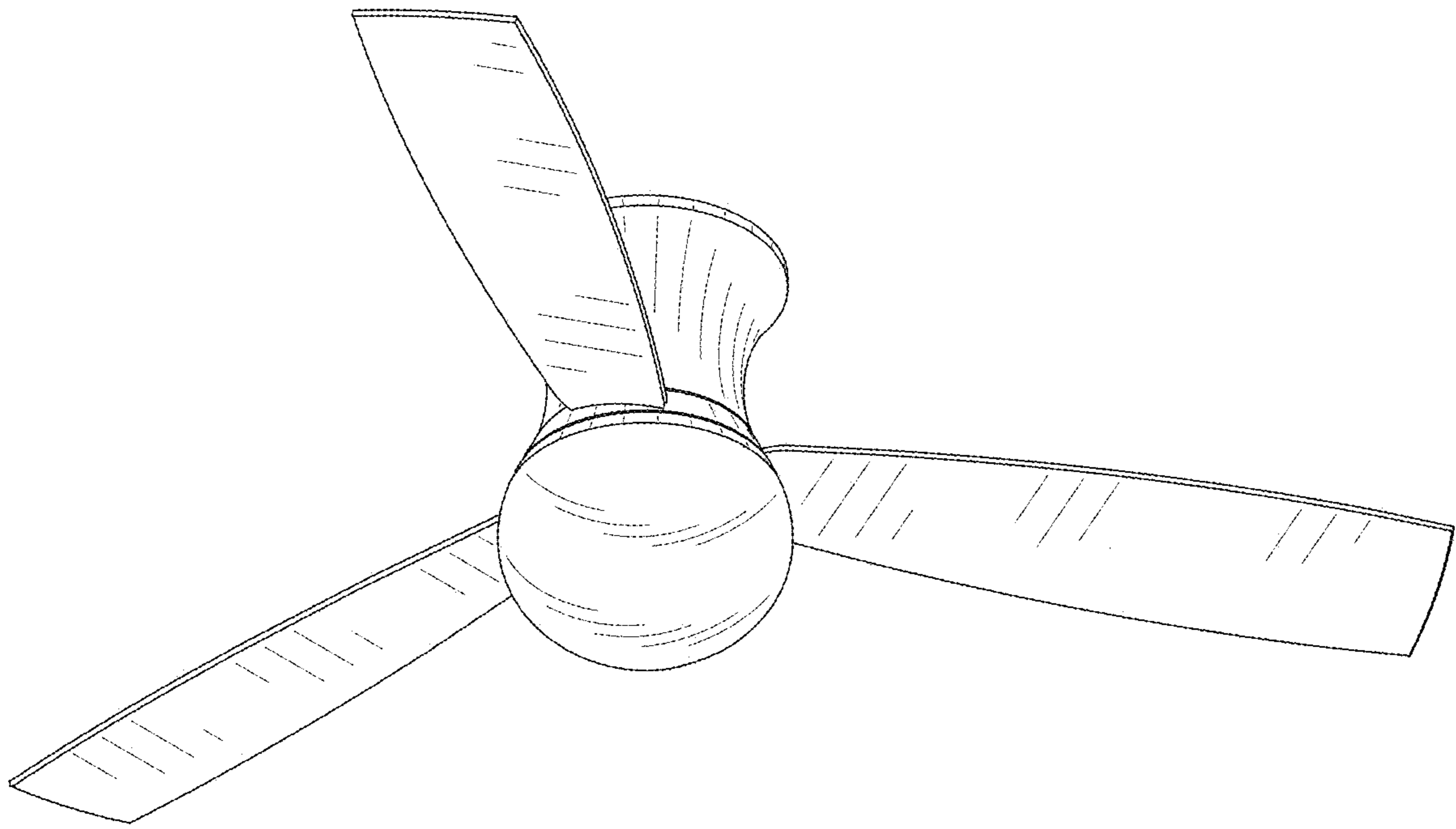


Fig. 1

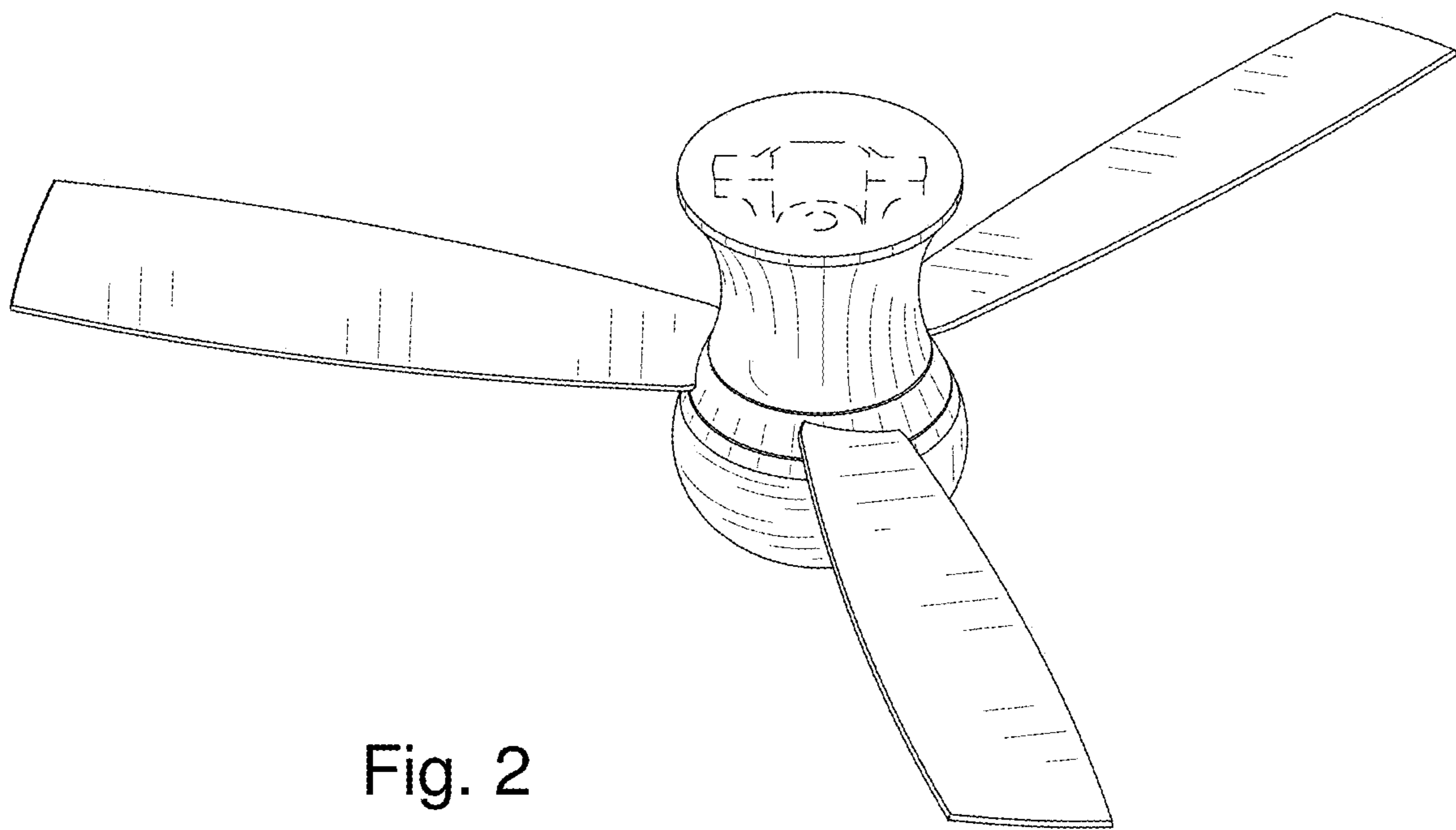


Fig. 2

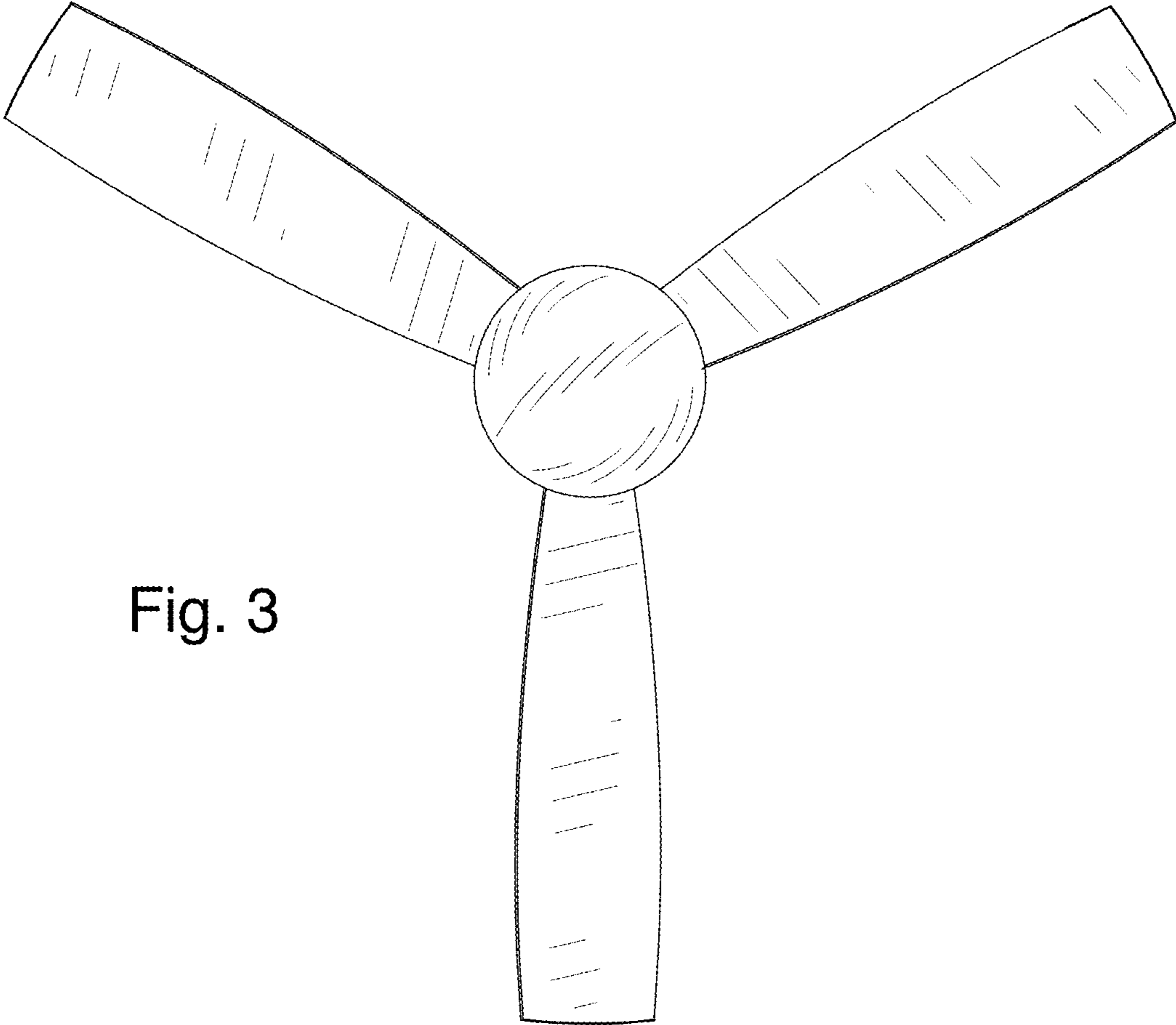


Fig. 3

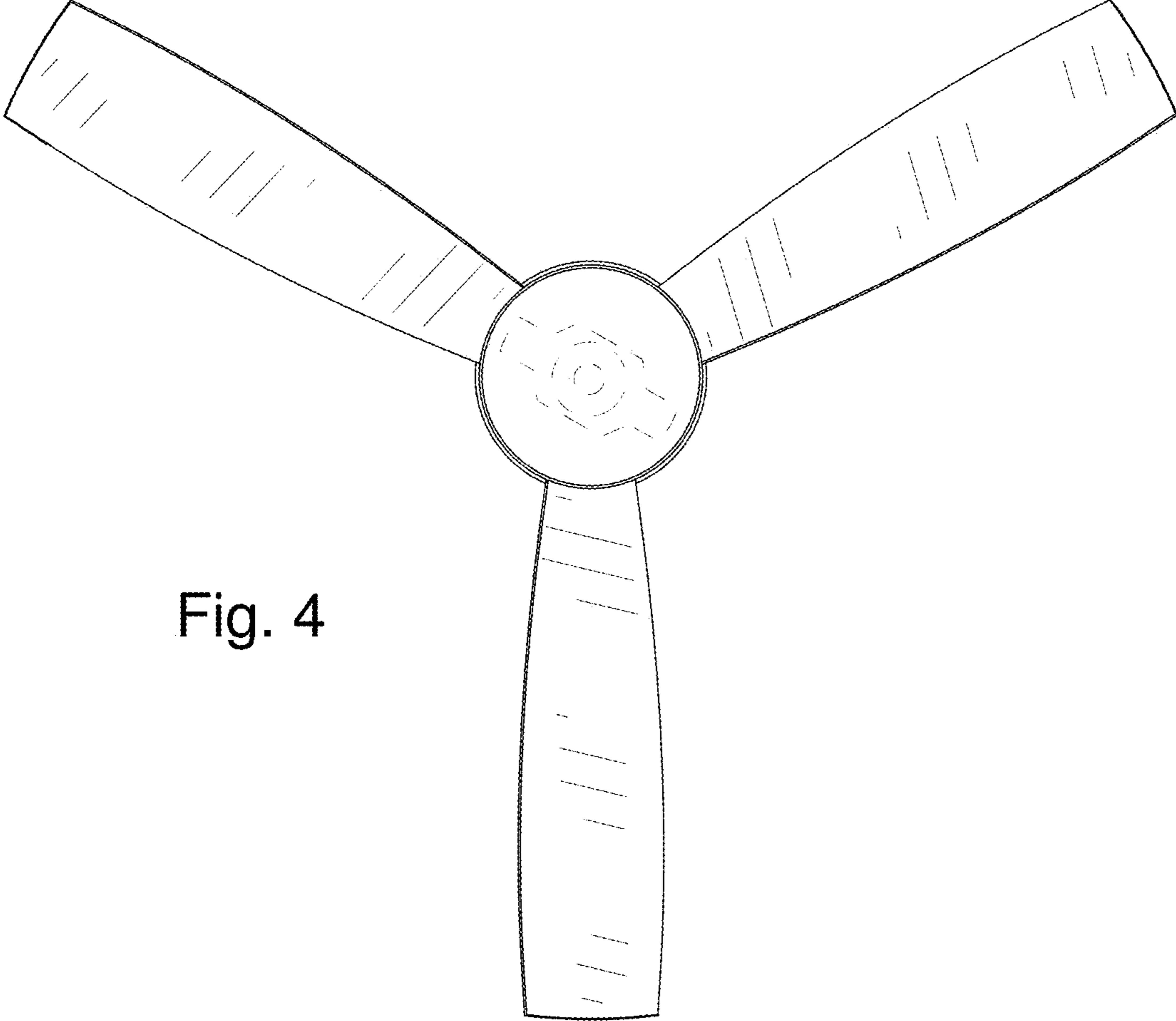


Fig. 4

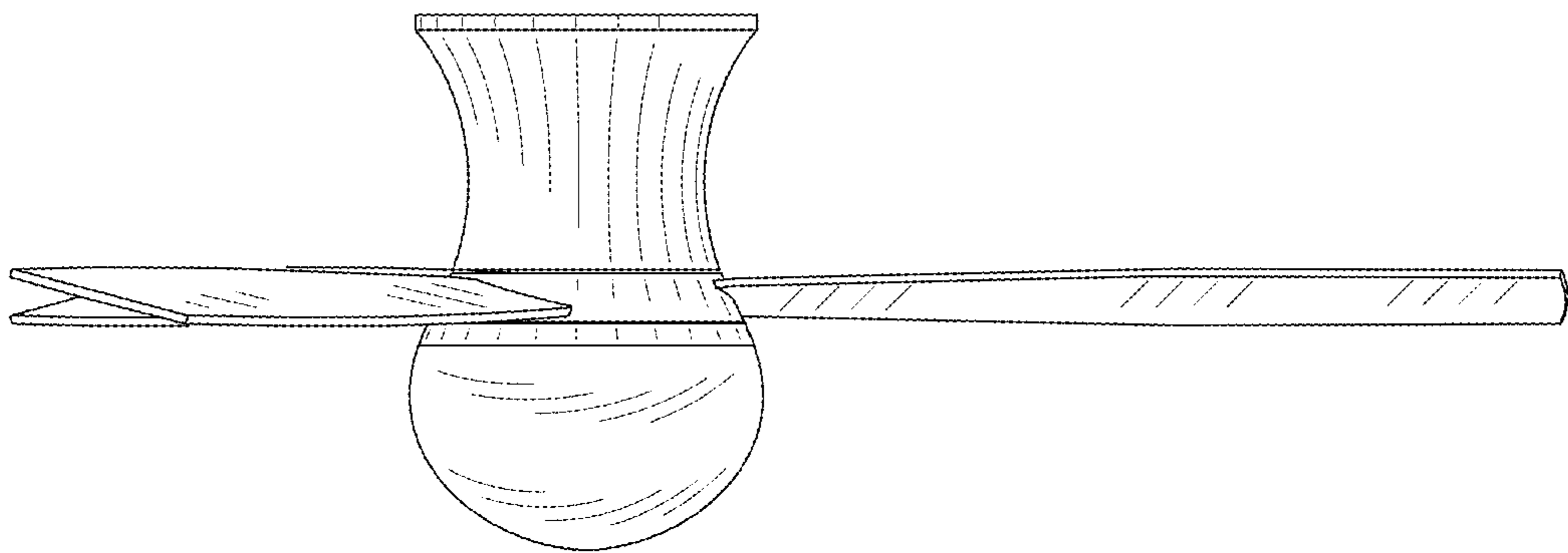


Fig. 5

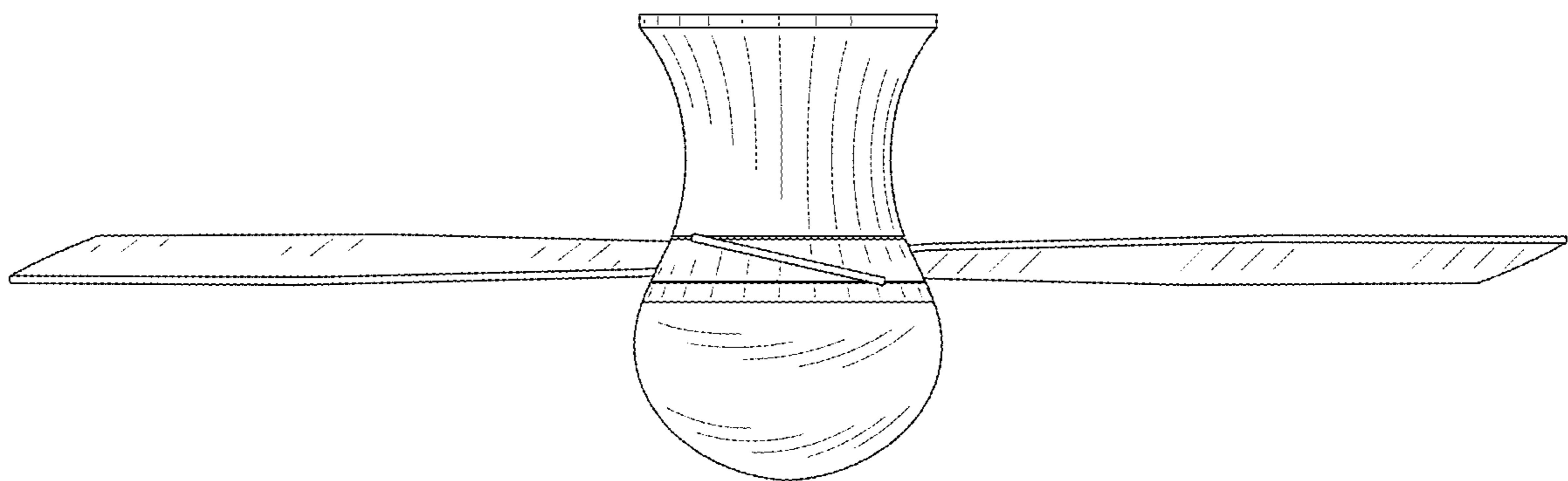


Fig. 6

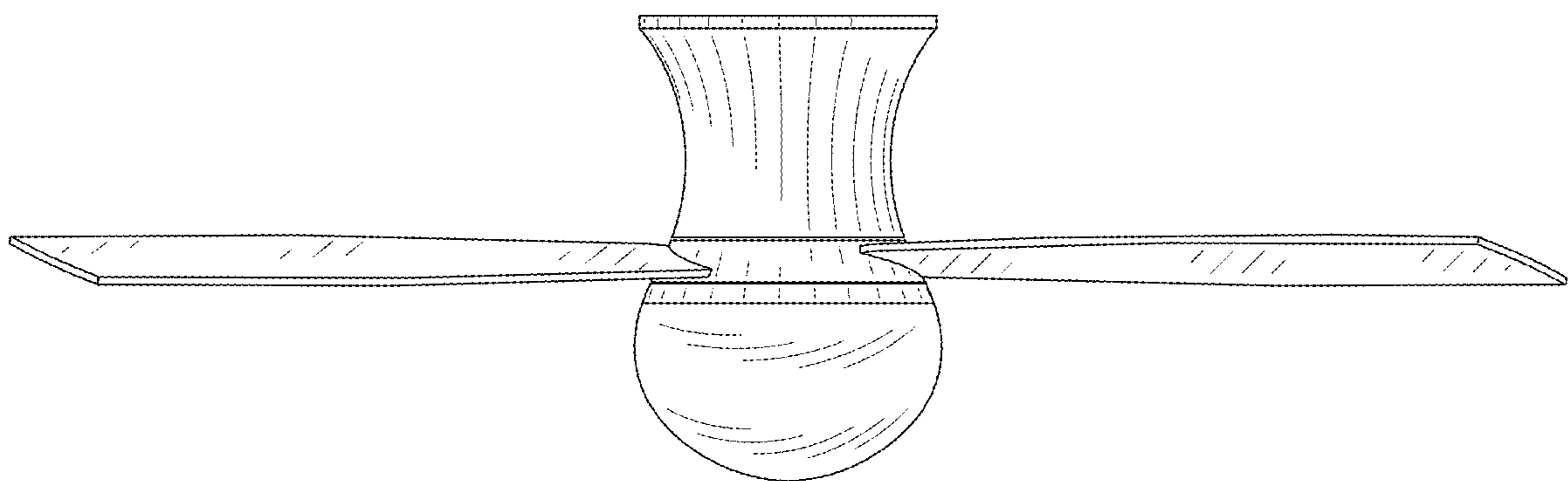


Fig. 7