



US0D1051334S

(12) **United States Design Patent** (10) **Patent No.:** **US D1,051,334 S**
Tacay (45) **Date of Patent:** **** Nov. 12, 2024**

- (54) **CEILING FAN**
- (71) Applicant: **CRAFTMADE INTERNATIONAL, INC.**, Grand Prairie, TX (US)
- (72) Inventor: **Samuel Drapiza Tacay**, Long Branch, TX (US)
- (73) Assignee: **Craftmade International, Inc.**, Grand Prairie, TX (US)
- (**) Term: **15 Years**
- (21) Appl. No.: **29/872,843**
- (22) Filed: **Mar. 20, 2023**
- (51) **LOC (14) Cl.** **23-04**
- (52) **U.S. Cl.**
USPC **D23/377**
- (58) **Field of Classification Search**
USPC D23/370, 377, 379, 385, 411, 413;
D26/59, 72, 81
CPC F04D 25/088; F04D 29/38; F04D 29/384;
F04D 29/386
See application file for complete search history.

- D933,186 S * 10/2021 Habig D23/377
 - D933,806 S * 10/2021 Hagggar D23/377
 - D943,079 S * 2/2022 O'Connell D23/377
- (Continued)

OTHER PUBLICATIONS

Craftmade Gregory Ceiling Fan, Nov. 2, 2022, amazon.com, <<https://www.amazon.com/Craftmade-Reversible-Greywood-Integrated-GRG56BNKFB4/dp/B0BL8G18W6>> (Year: 2022).*

Primary Examiner — Janice Hallmark
Assistant Examiner — Adedoyin Taiwo Odeyale
(74) *Attorney, Agent, or Firm* — Guy V. Manning

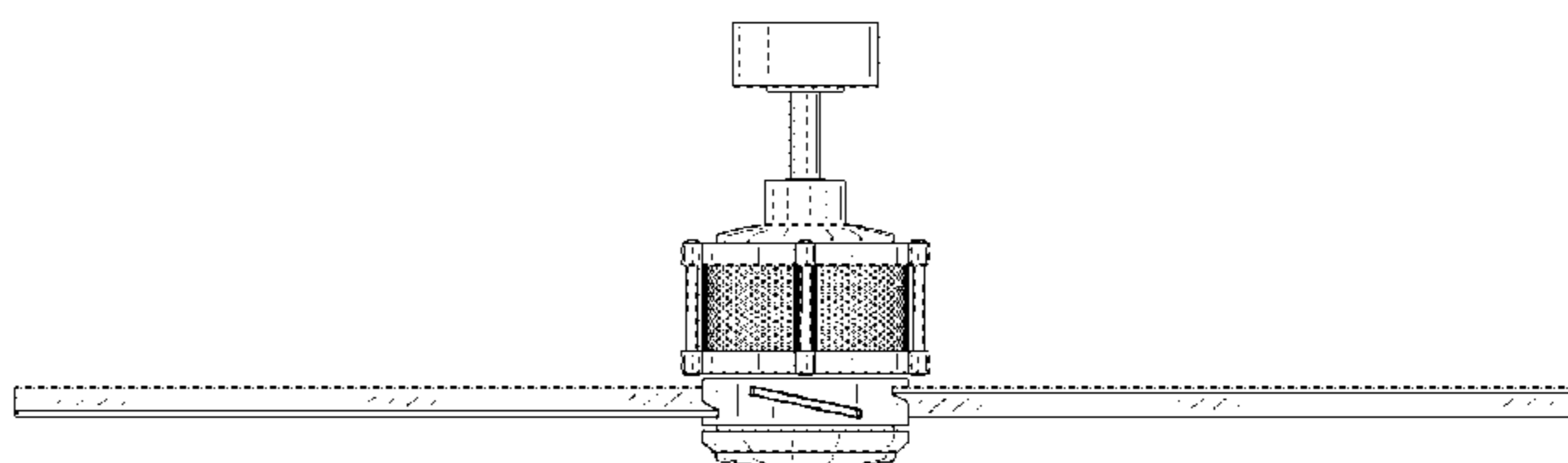
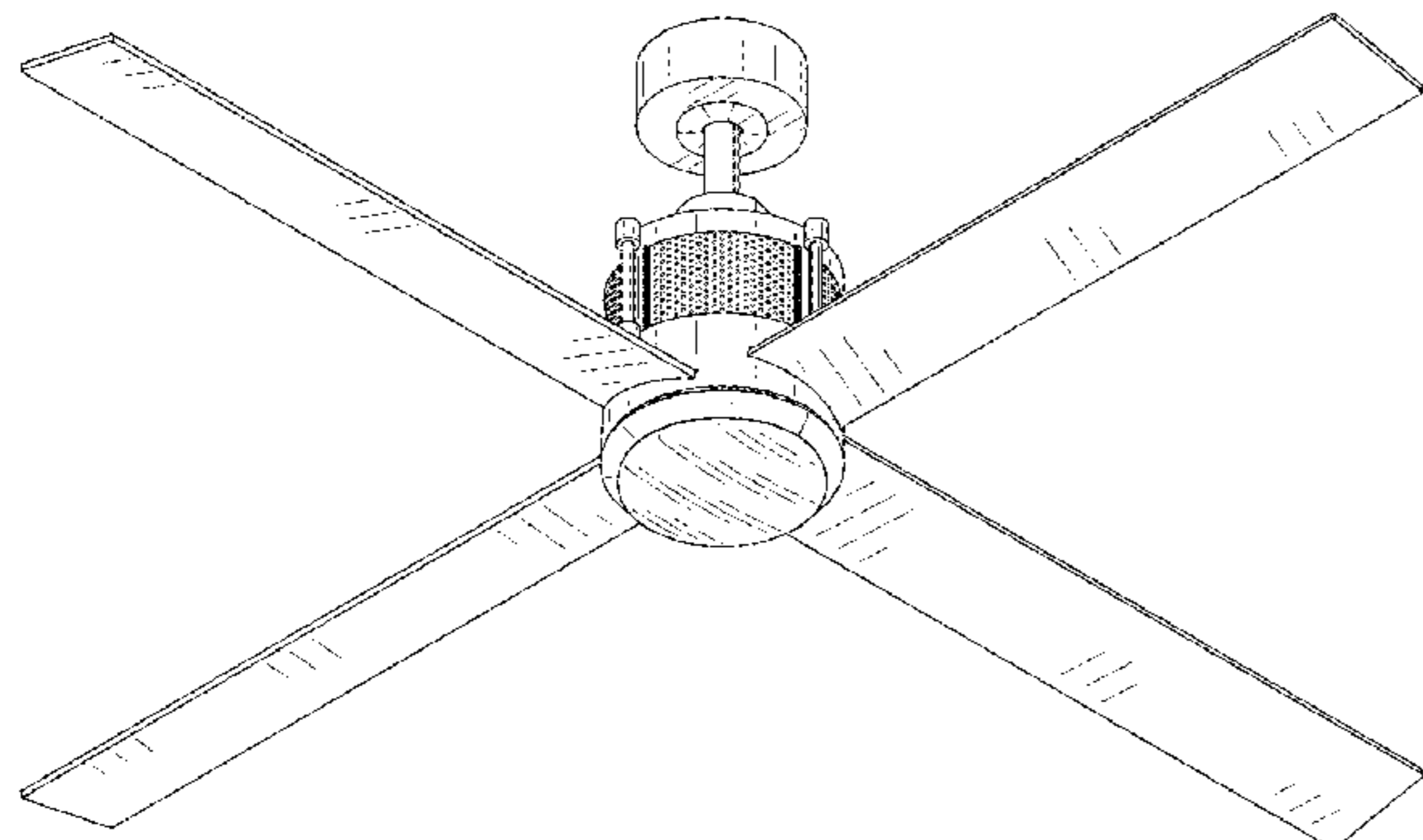
(57) **CLAIM**

The ornamental design for a ceiling fan as shown and described.

DESCRIPTION

FIG. 1 is a lowered quartering perspective view of the new design for a ceiling fan;
FIG. 2 is an elevated quartering perspective view of the design of FIG. 1;
FIG. 3 is a bottom plan view of the design of FIG. 1;
FIG. 4 is a top plan view of the design of FIG. 1;
FIG. 5 is a front elevational view of the design of FIG. 1, the rear, left and right side elevational views being the same as FIG. 5;
FIG. 6 is a front elevational close-up view taken as indicated in FIG. 4, of the design of FIG. 1, the rear, left and right side elevational close-up views being the same as FIG. 6;
FIG. 7 is a quartering elevational view, taken as indicated in FIG. 4, of the design of Figure; and,
FIG. 8 is a quartering close-up elevational view, taken at the same angle as FIG. 7, of the design shown in FIG. 1.
Broken lines included within the figures (FIGS. 2, 4) depict environmental subject matter only and form no part of the claimed design.

1 Claim, 5 Drawing Sheets



(56)

References Cited

U.S. PATENT DOCUMENTS

D1,013,857 S * 2/2024 Holmes Bradley D23/377
D1,016,268 S * 2/2024 Robinson D23/377

* cited by examiner

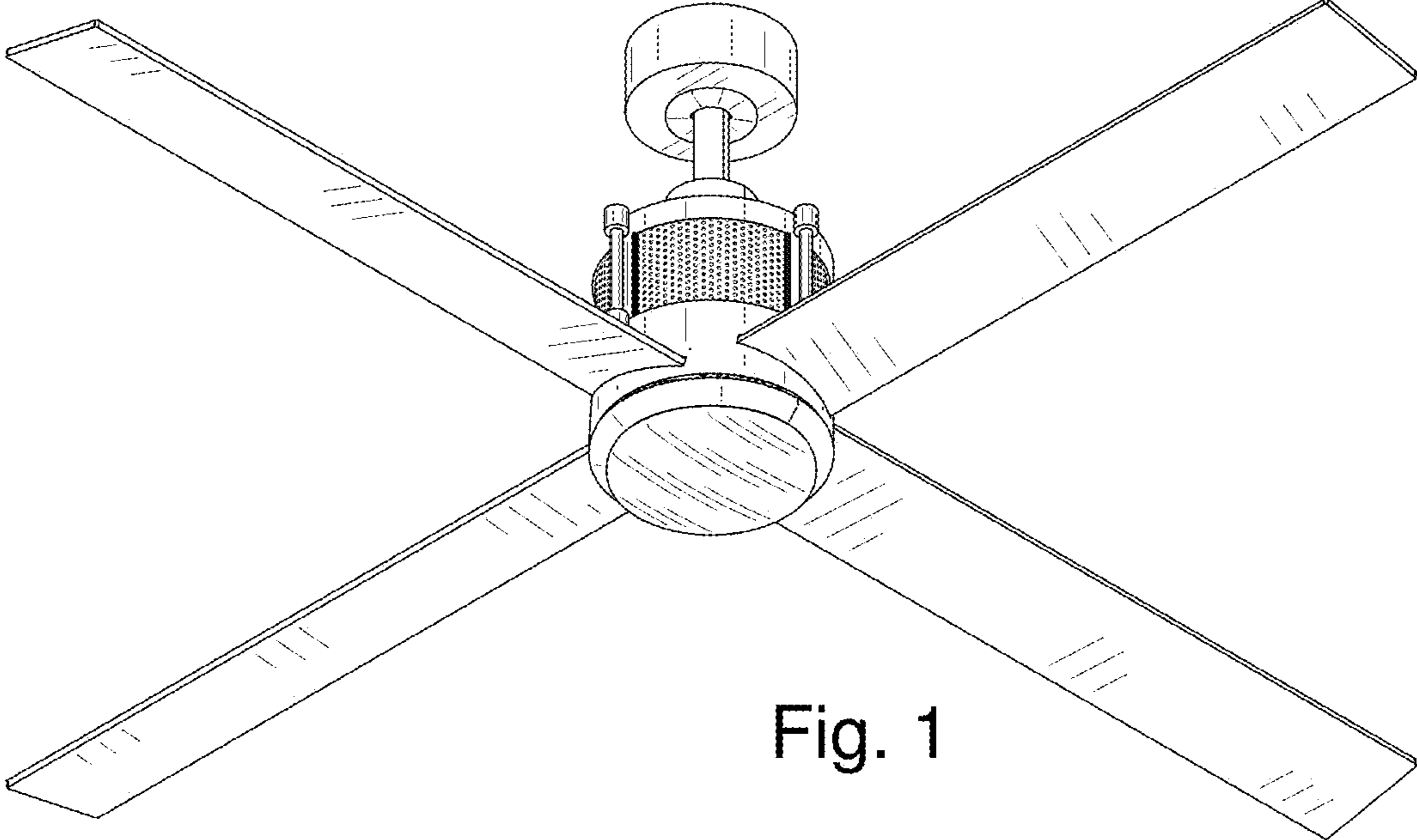


Fig. 1

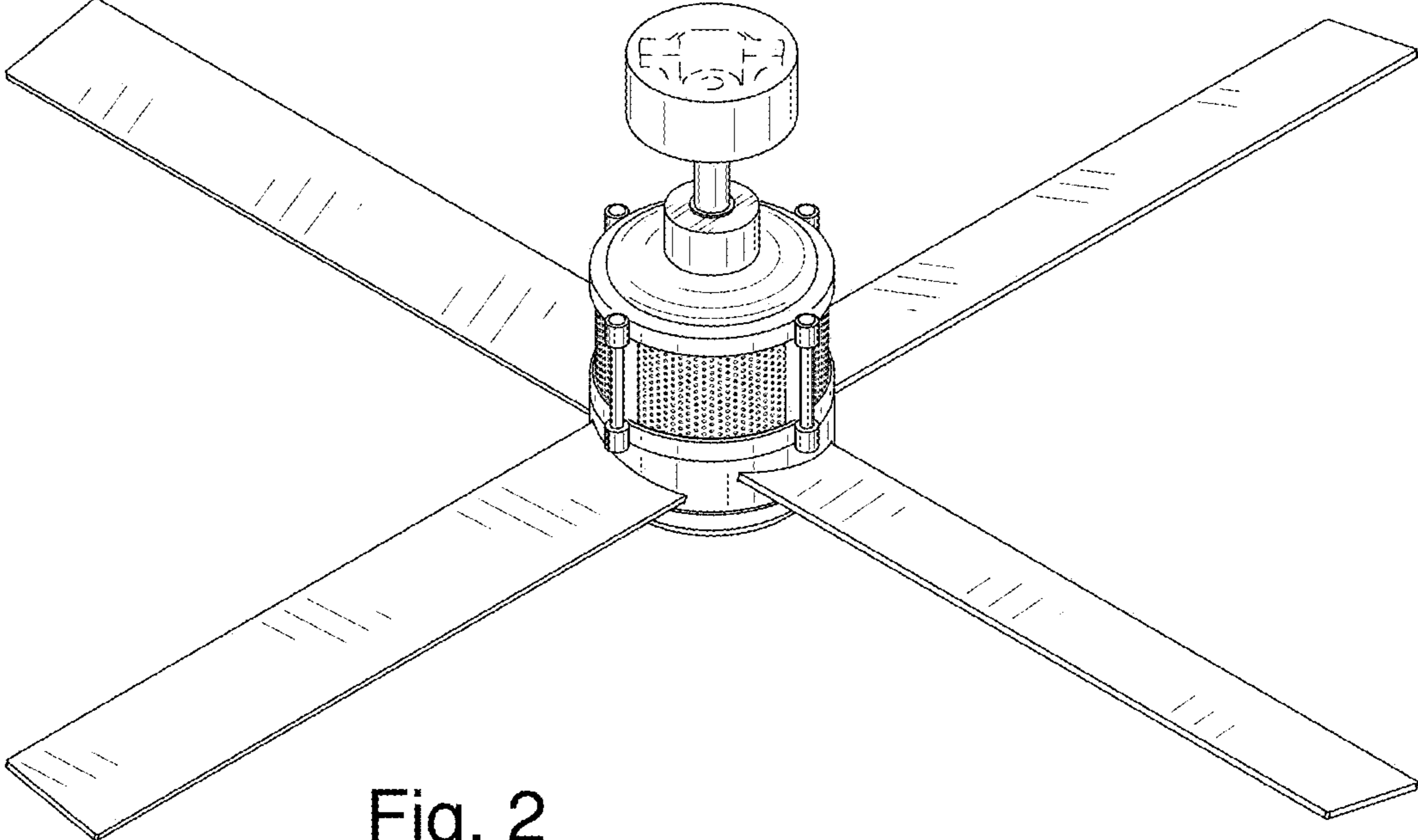


Fig. 2

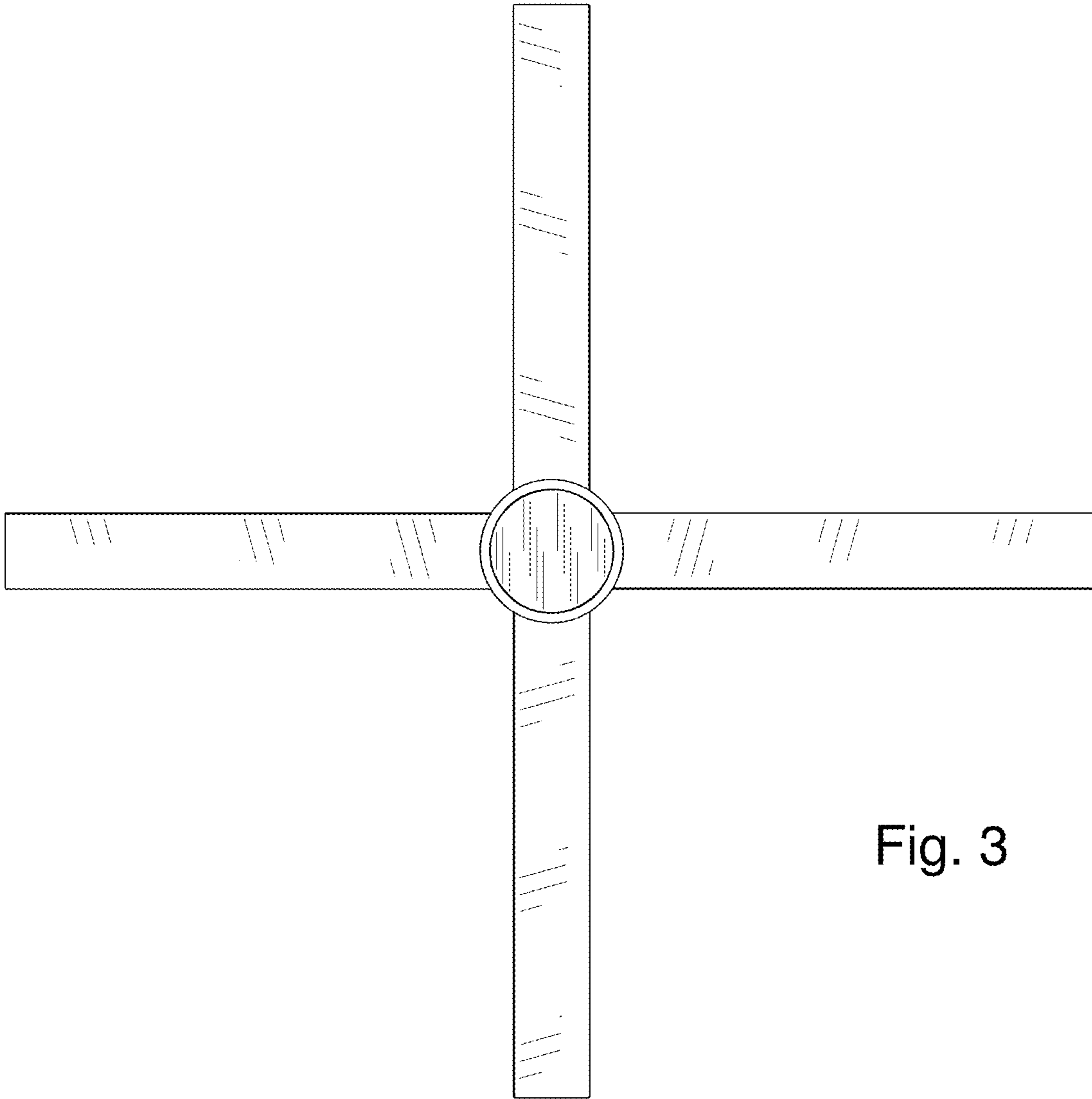


Fig. 3

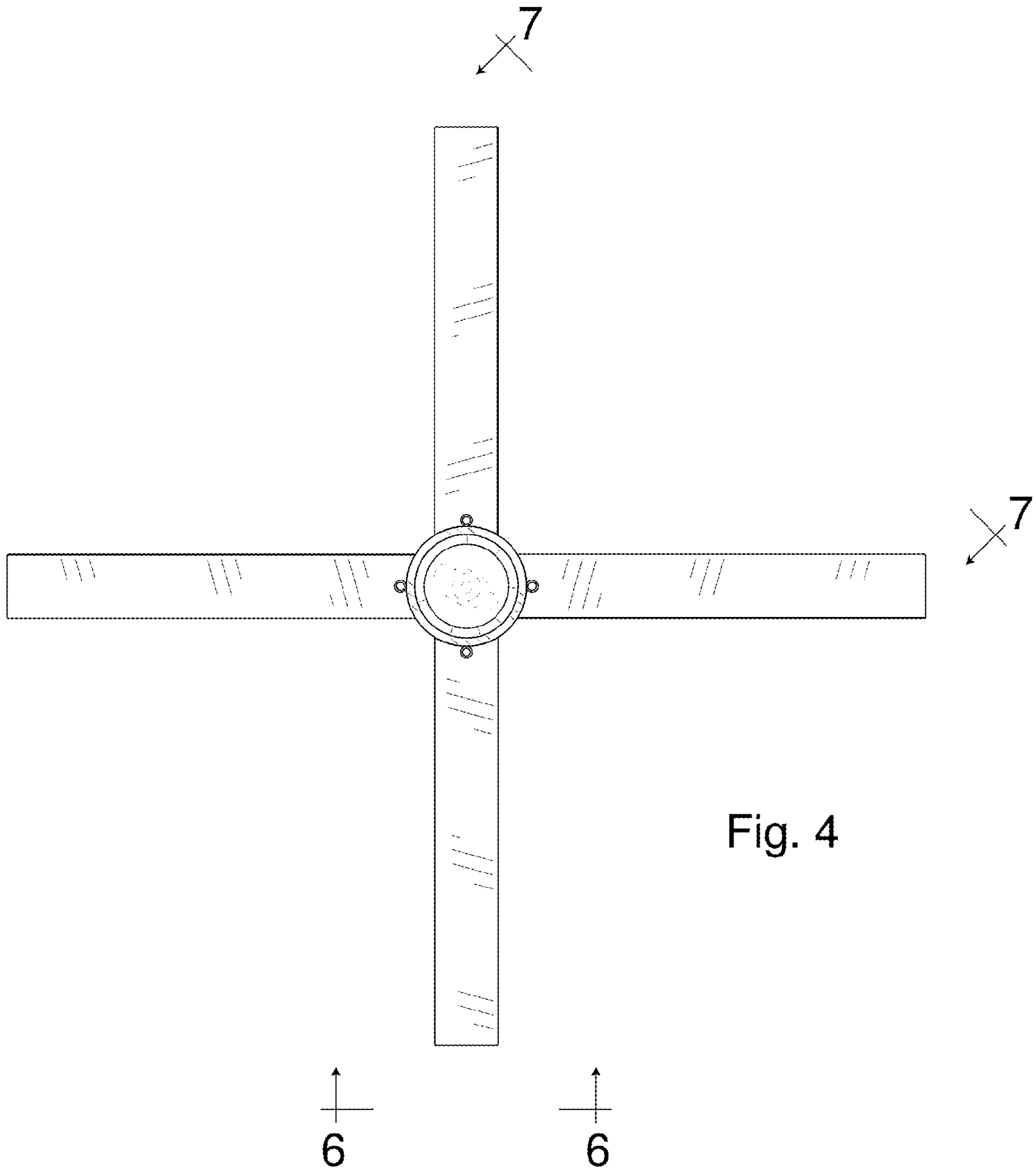


Fig. 4

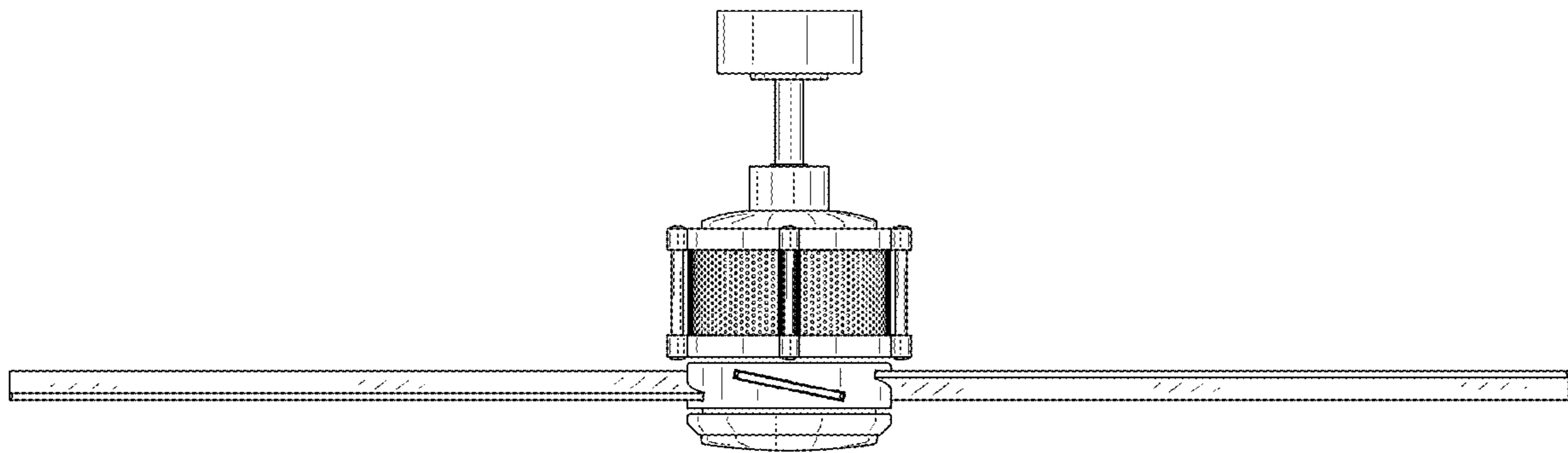


Fig. 5

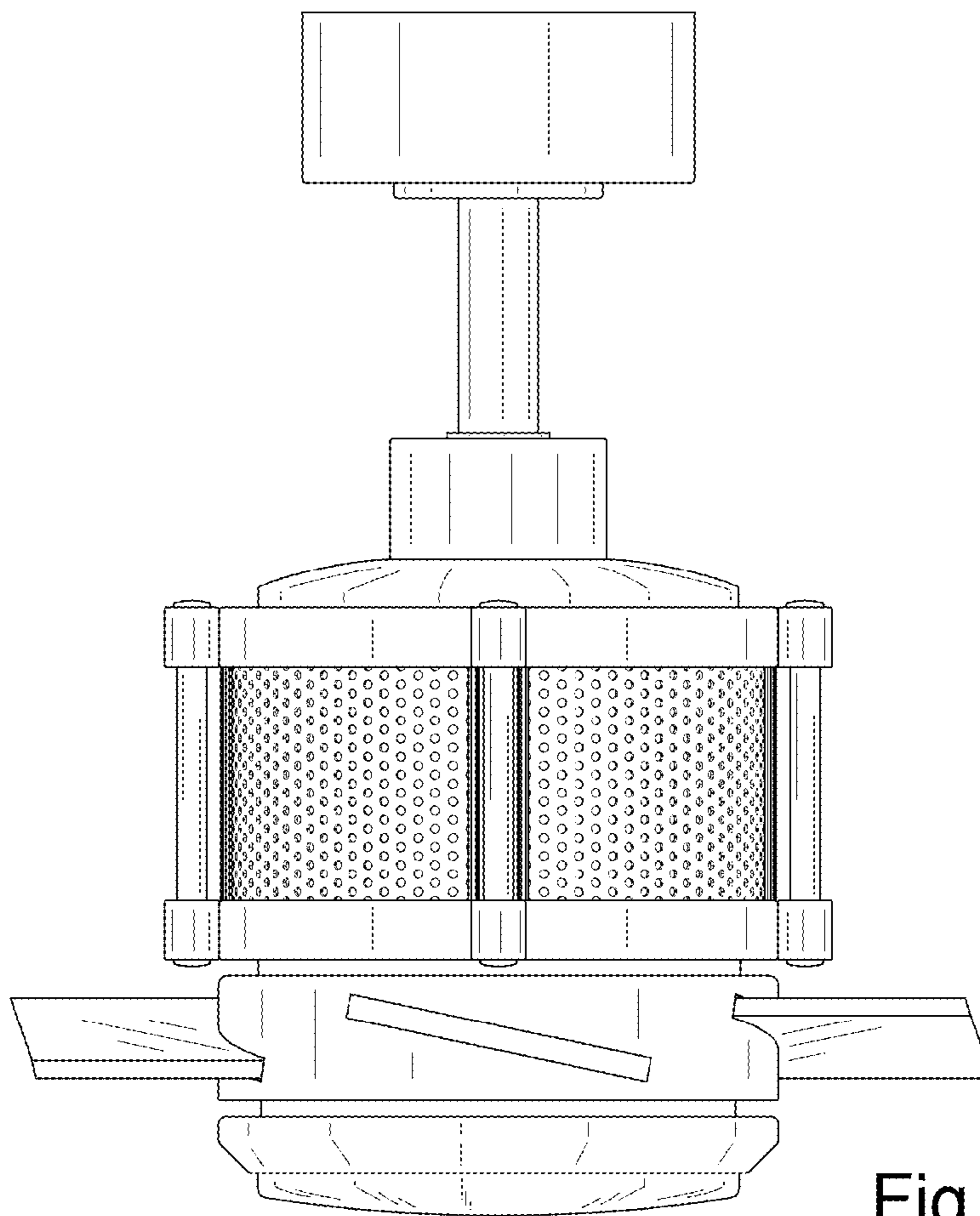


Fig. 6

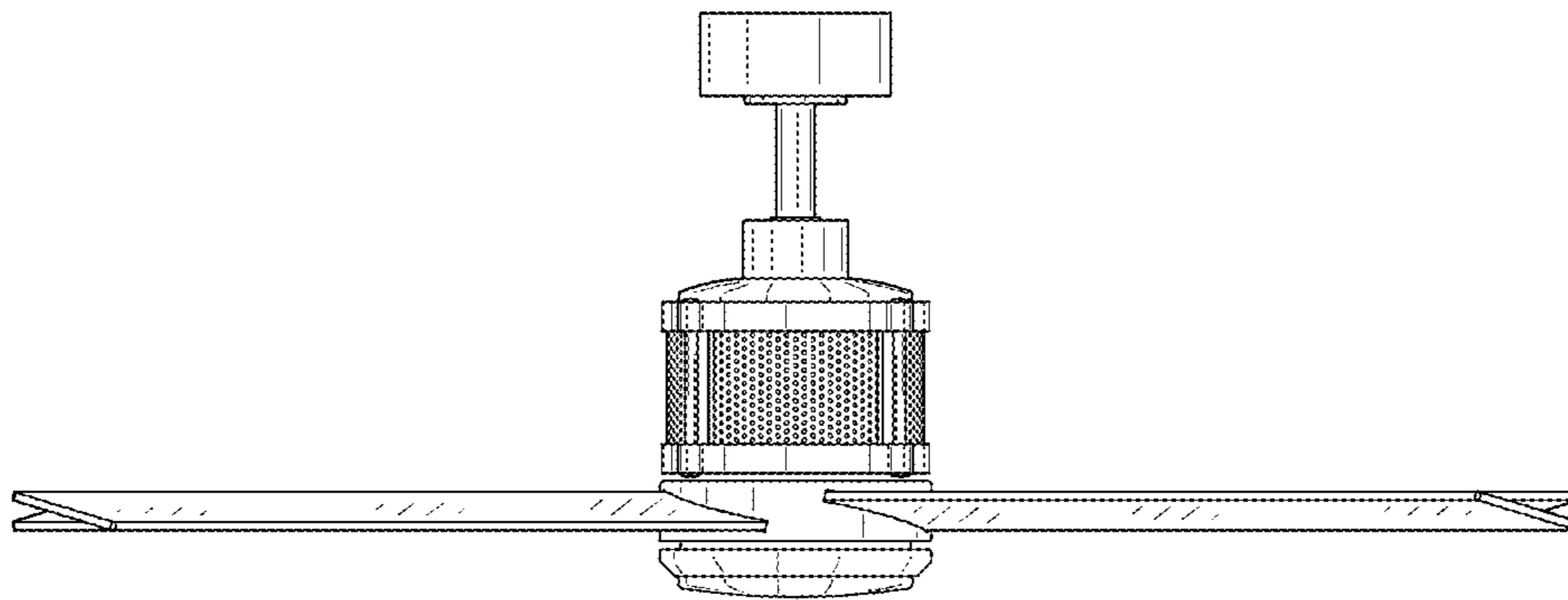


Fig. 7

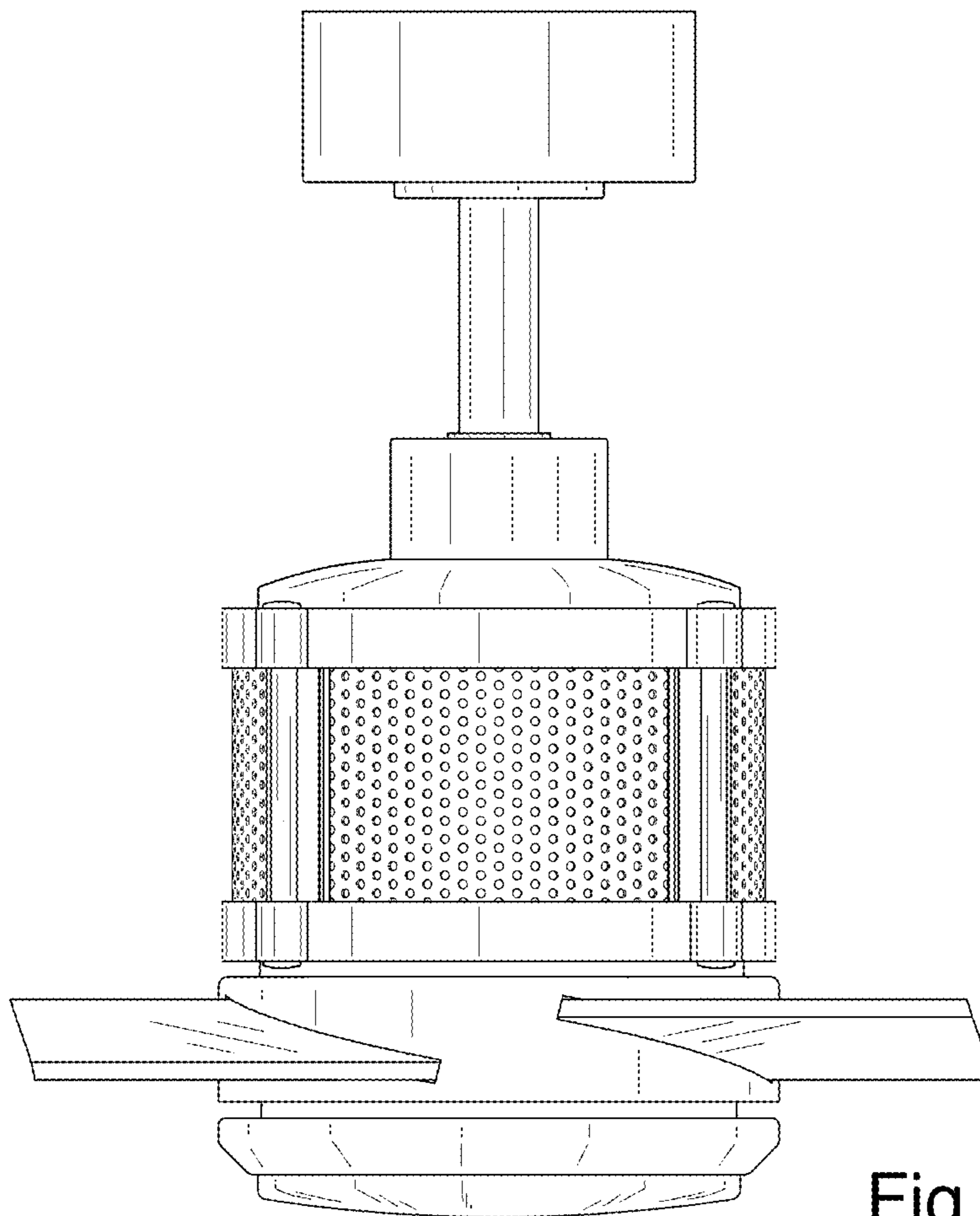


Fig. 8