



US0D1051017S

(12) **United States Design Patent** (10) **Patent No.:** **US D1,051,017 S**
Agamalis (45) **Date of Patent:** **** Nov. 12, 2024**

(54) **VEHICLE PROTECTIVE COVER**
(71) Applicant: **Peter Agamalis**, Kings Langley (AU)
(72) Inventor: **Peter Agamalis**, Kings Langley (AU)
(**) Term: **15 Years**
(21) Appl. No.: **29/877,765**
(22) Filed: **Jun. 12, 2023**
(51) **LOC (14) Cl.** **12-16**
(52) **U.S. Cl.**
USPC **D12/401**
(58) **Field of Classification Search**
USPC D12/401-405; D6/610, 611, 596, 601,
D6/606, 603, 615, 617, 621; D7/332,
D7/334-337
CPC B65D 85/68; B65D 31/16; B65D 33/02;
B60R 5/04; B60R 5/045; B60P 7/04
See application file for complete search history.

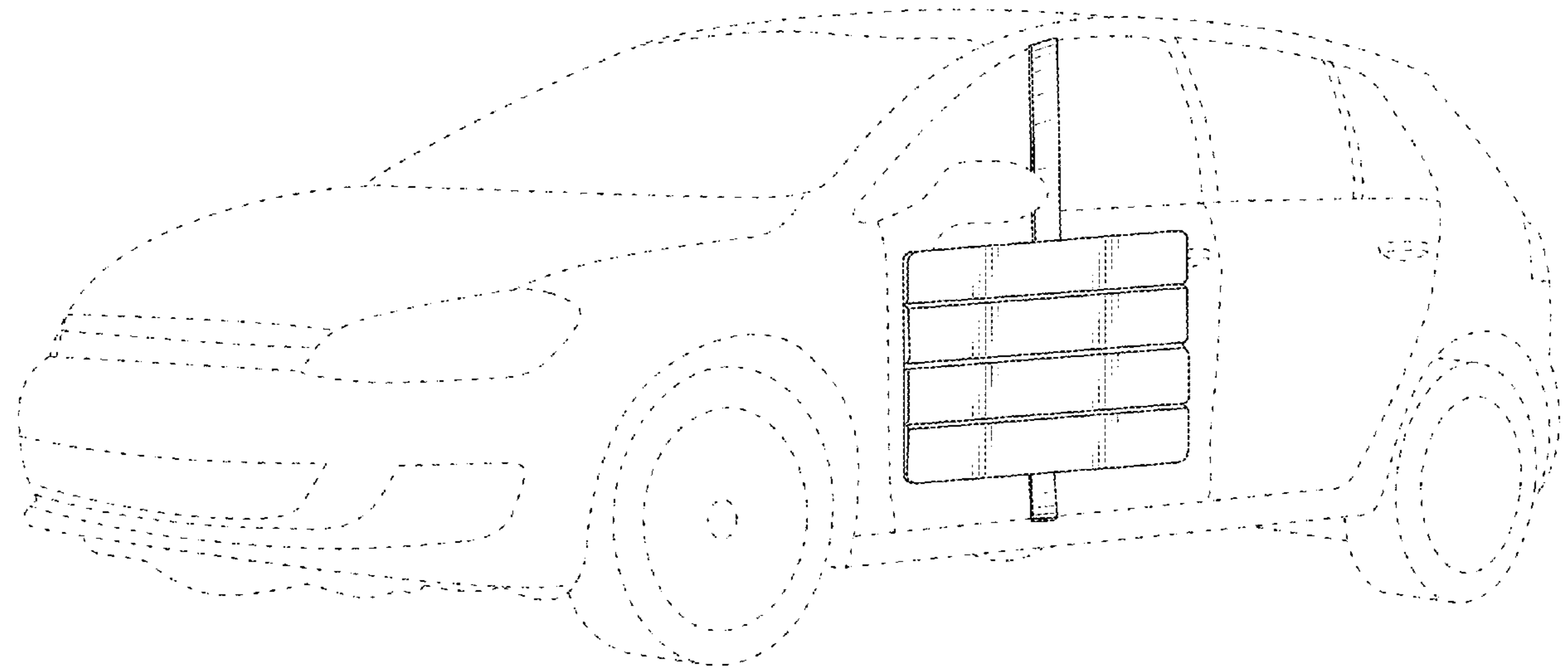
(56) **References Cited**
U.S. PATENT DOCUMENTS
D842,217 S * 3/2019 Nielsen E04H 15/06
D12/401
D852,725 S * 7/2019 Feng D12/401
D902,832 S * 11/2020 Anderson D12/401
D909,950 S * 2/2021 Johnson D12/401
D1,013,596 S * 2/2024 Proveniers D12/183
D1,014,399 S * 2/2024 McLeod D12/401
D1,016,721 S * 3/2024 Tian D12/401
D1,016,722 S * 3/2024 Tian D12/401
D1,021,747 S * 4/2024 Wells D12/401

D1,026,801 S * 5/2024 Huang D13/102
D1,034,407 S * 7/2024 Cai D12/401
2018/0222392 A1* 8/2018 Xiong B60R 5/045
2020/0122643 A1* 4/2020 Loew B60R 7/08
* cited by examiner

Primary Examiner — Katrina A Betton
(57) **CLAIM**
The ornamental design for a vehicle protective cover, as shown and described.

DESCRIPTION
FIG. 1 is a top front perspective view of a vehicle protective cover showing my new design;
FIG. 2 is a bottom rear perspective view thereof;
FIG. 3 is a front elevational view thereof;
FIG. 4 is a rear elevational view thereof;
FIG. 5 is a top plan view thereof;
FIG. 6 is a bottom plan view thereof;
FIG. 7 is a right elevational view thereof;
FIG. 8 is a left elevational view thereof;
FIG. 9 is a top front perspective view thereof, wherein the vehicle protective cover is shown folded;
FIG. 10 is a bottom rear perspective view thereof;
FIG. 11 is a reduced top front perspective view thereof, wherein the vehicle protective cover is shown in use; and,
FIG. 12 is a reduced top rear perspective view thereof.
The broken lines showing a fastener in FIGS. 2-10 and 12, the broken lines showing strap ends in FIGS. 1, 6-10, and 12, and the broken lines showing a vehicle in FIGS. 11 and 12 are included for the purpose of illustrating environmental structure and form no part of the claimed design.

1 Claim, 12 Drawing Sheets



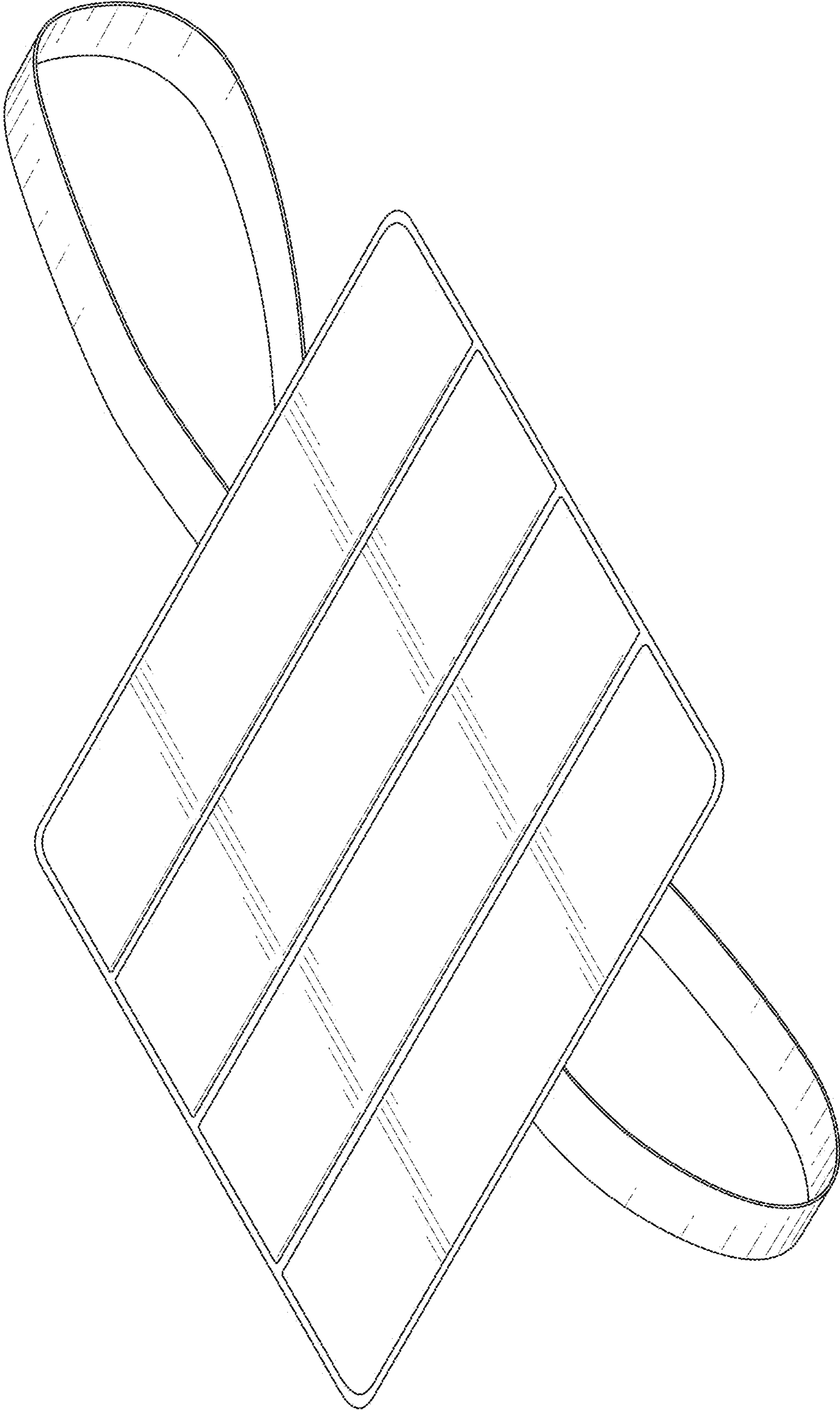


FIG. 1

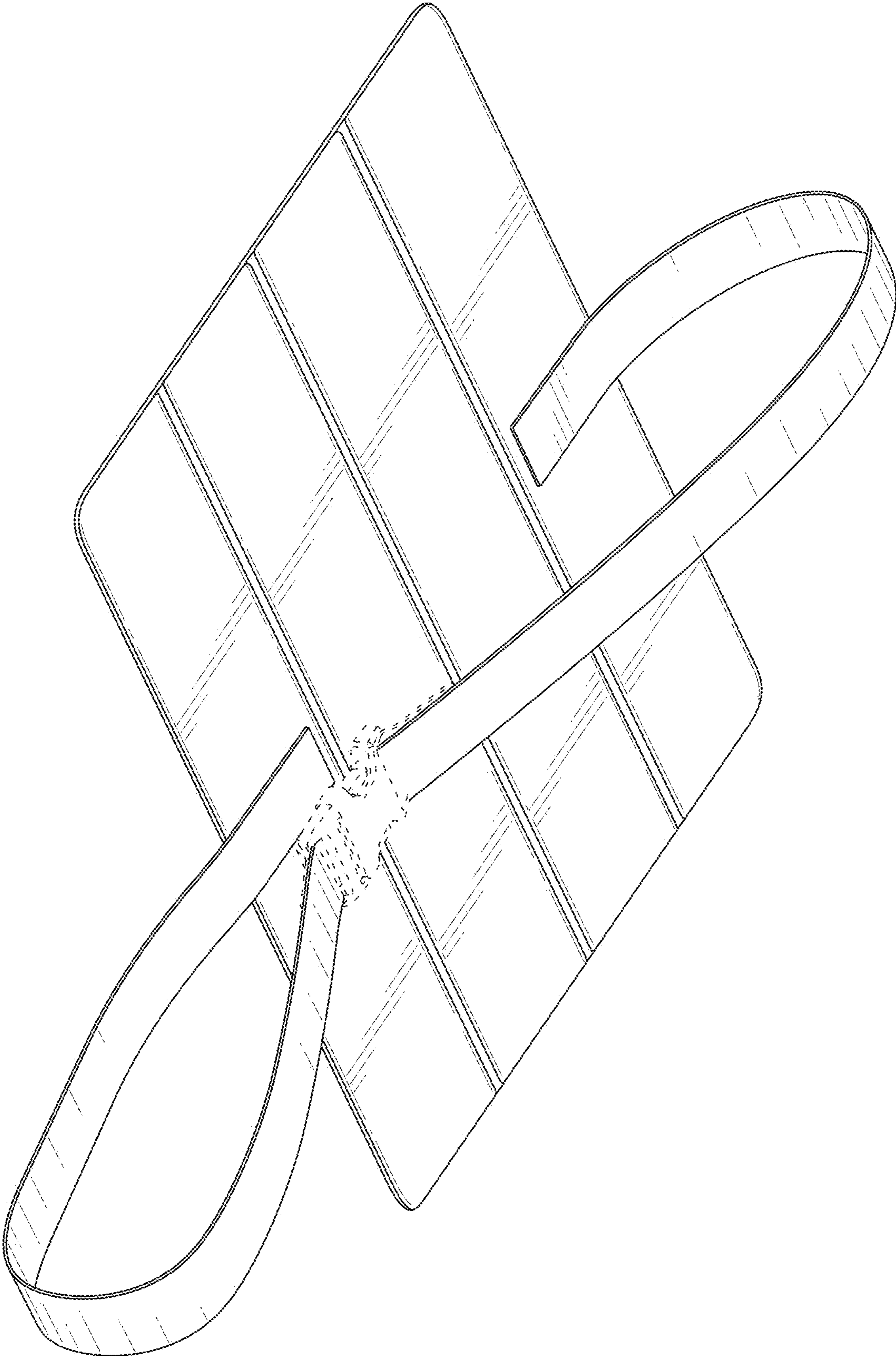


FIG. 2

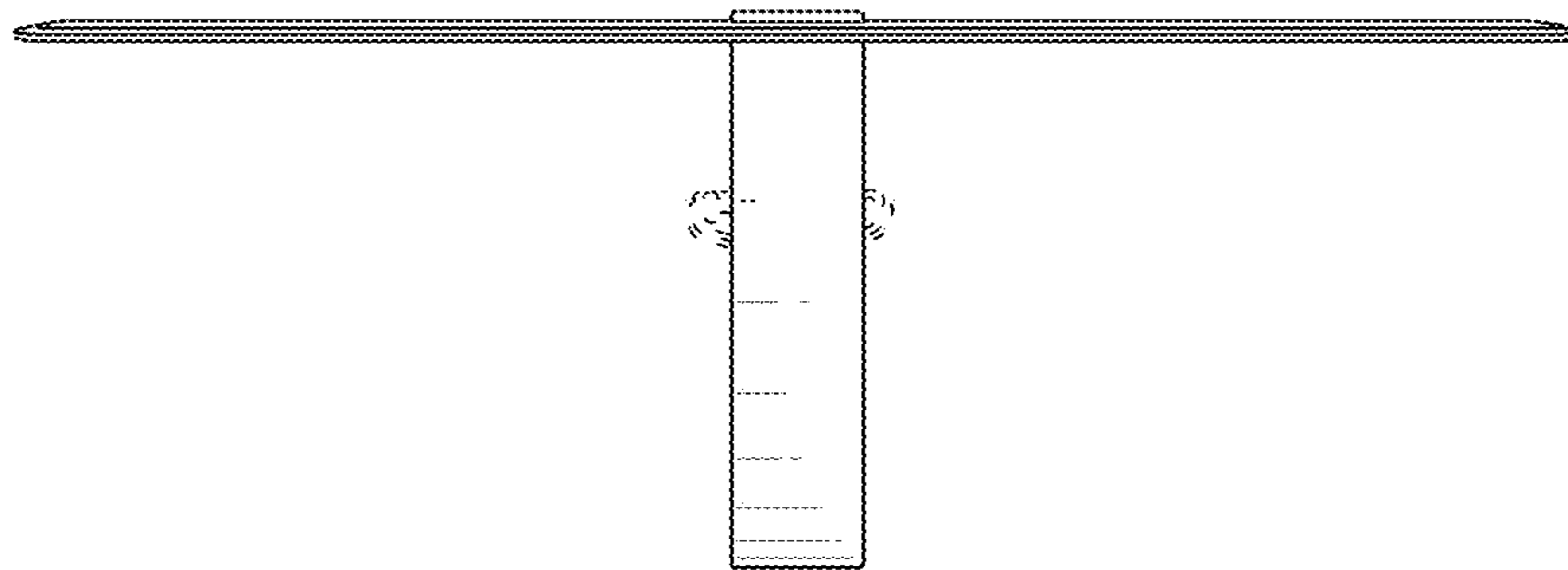


FIG. 3

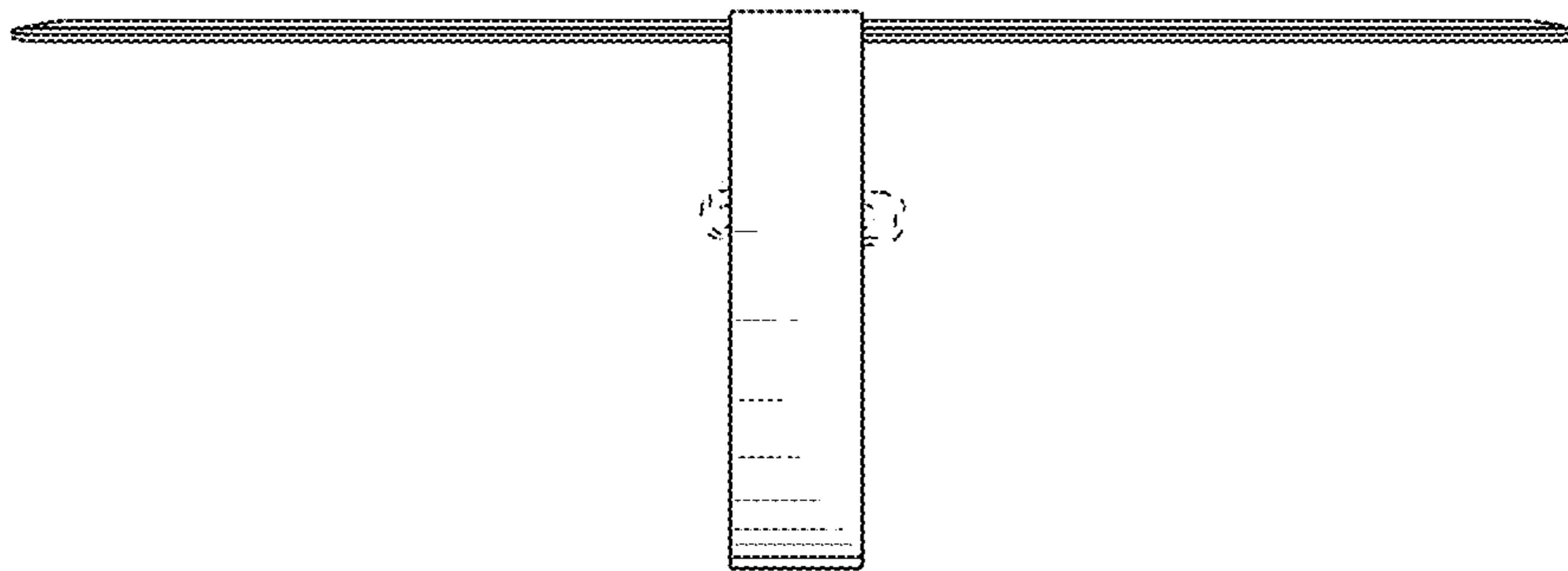


FIG. 4

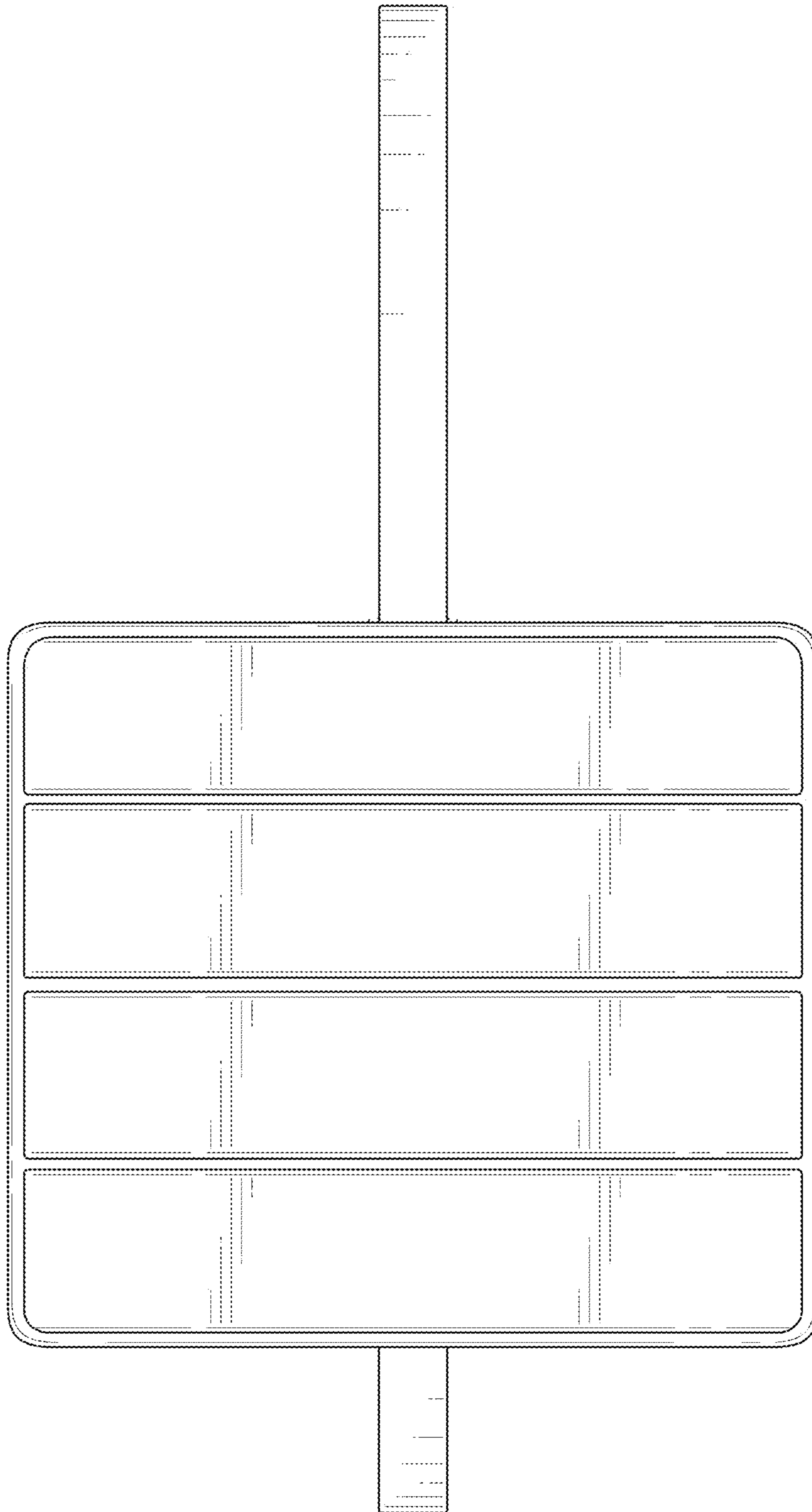


FIG. 5

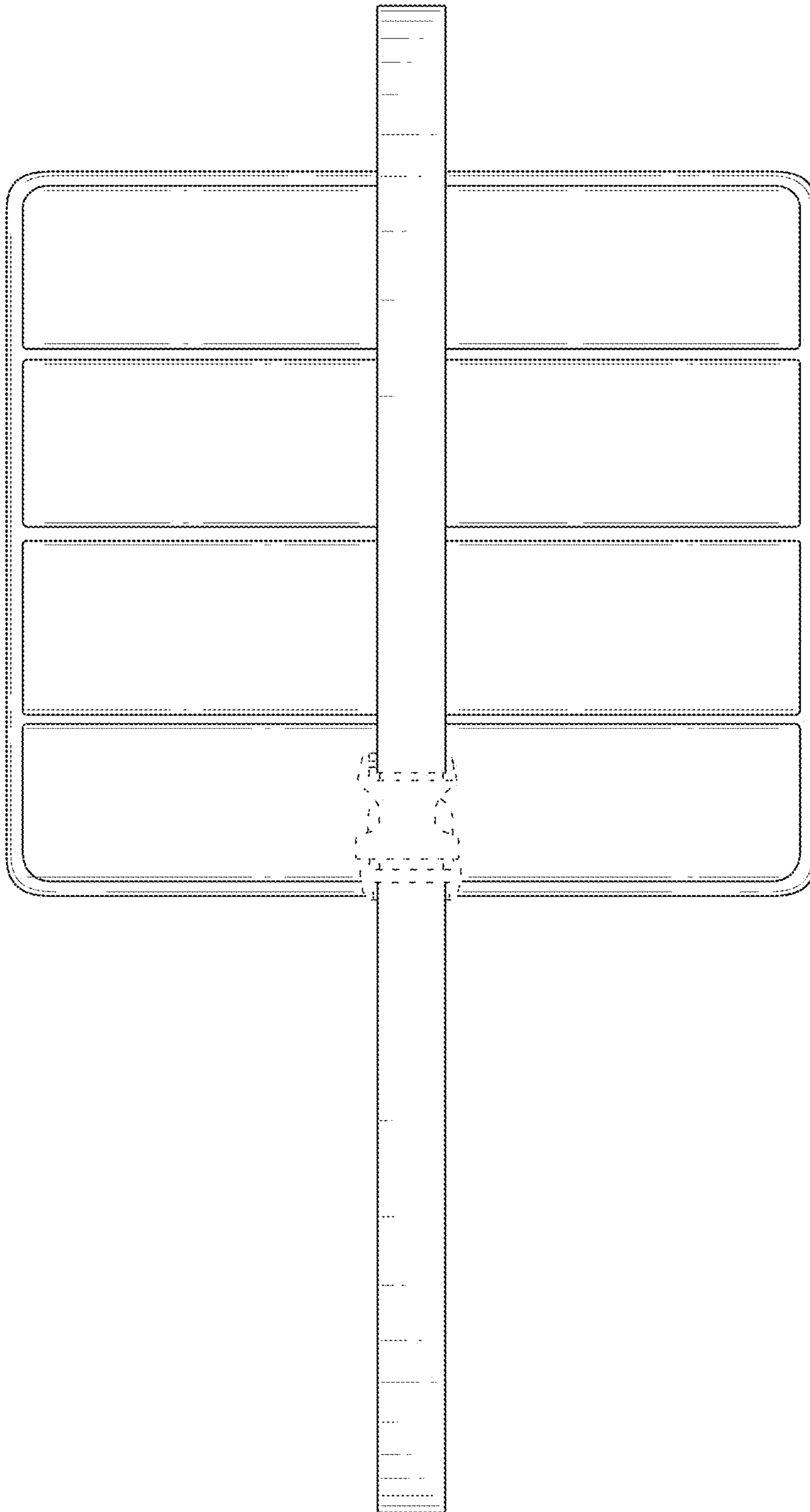


FIG. 6

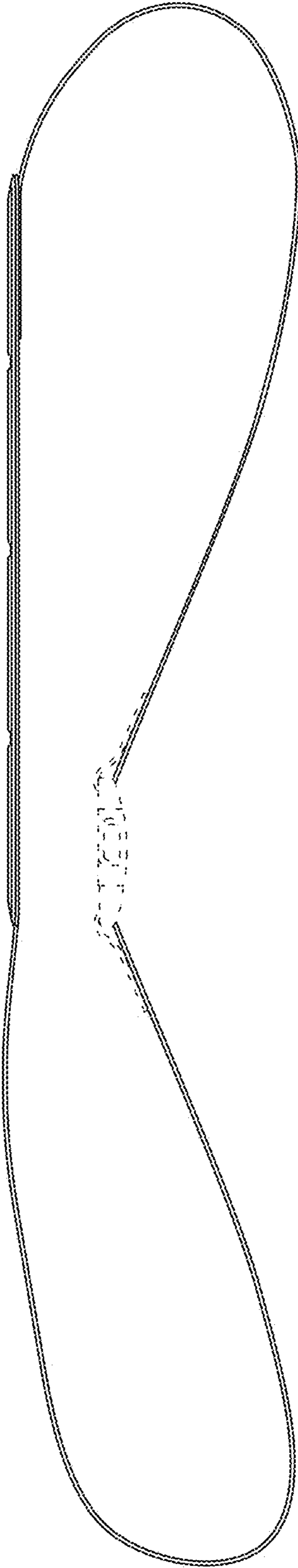


FIG. 7

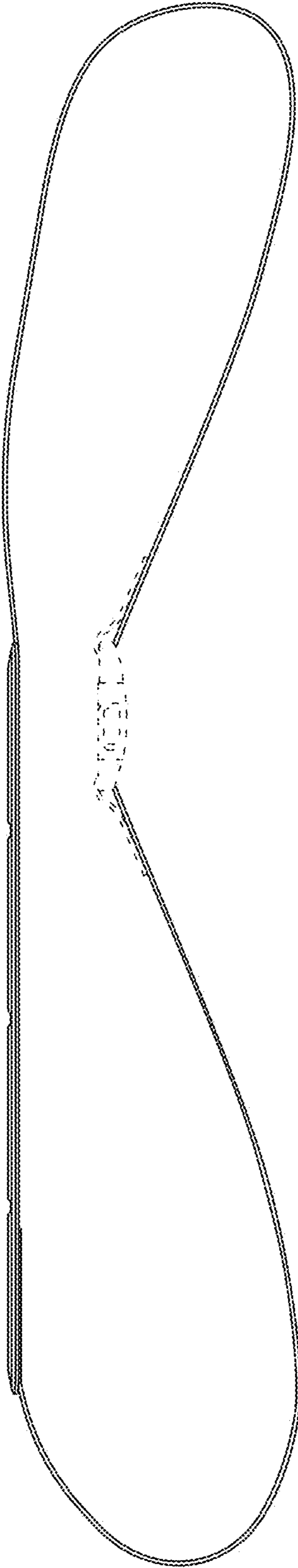


FIG. 8

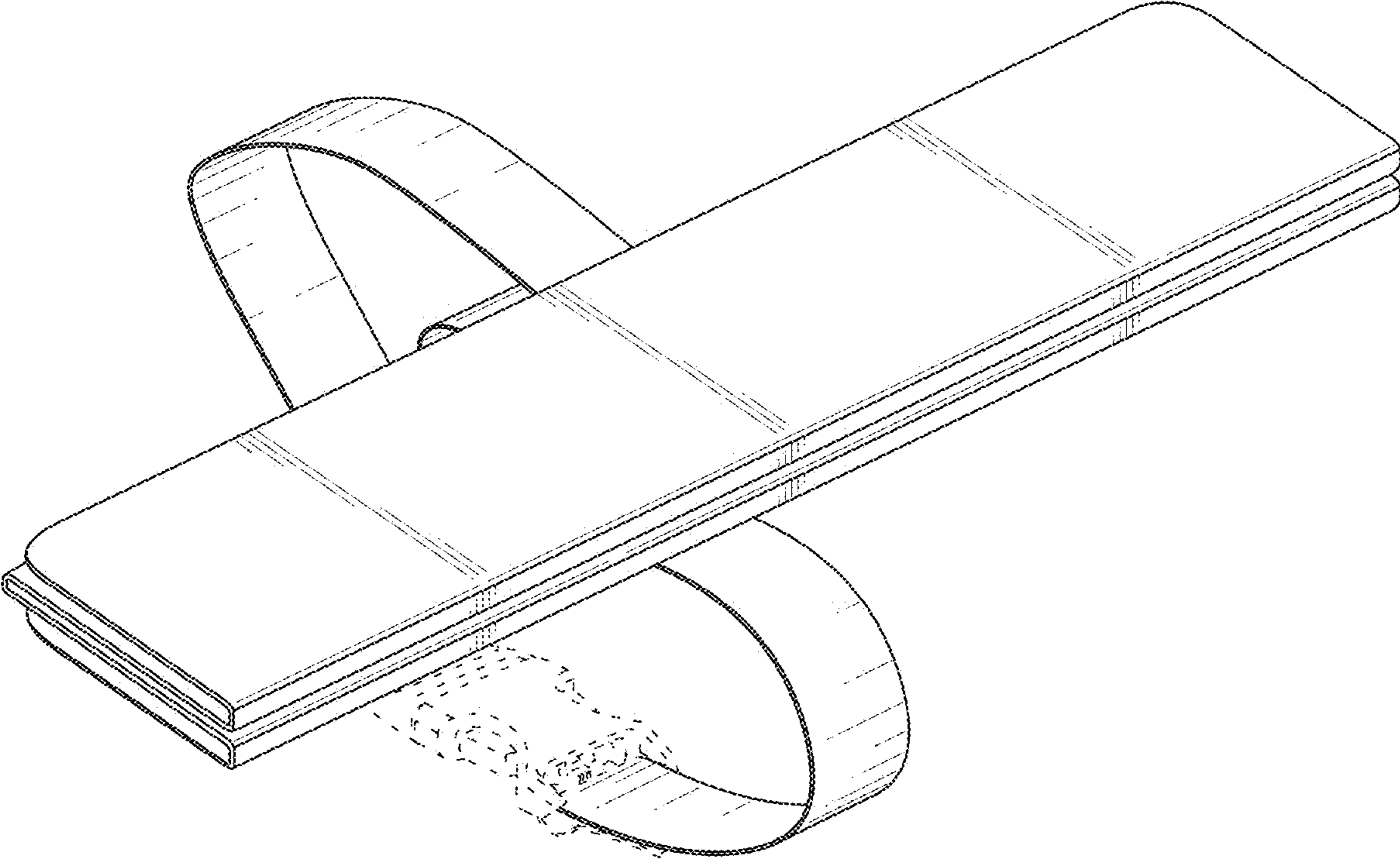


FIG. 9

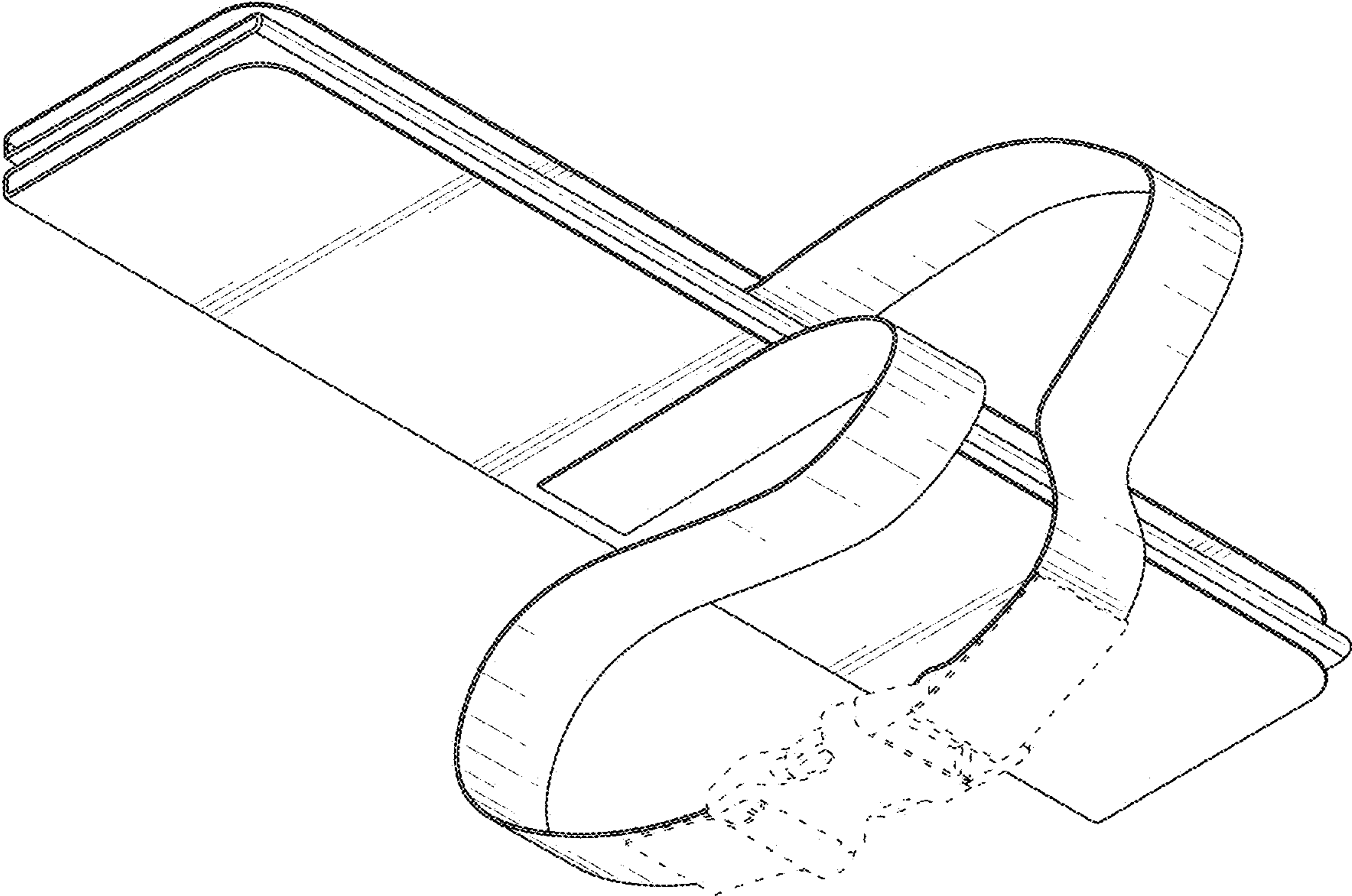


FIG. 10

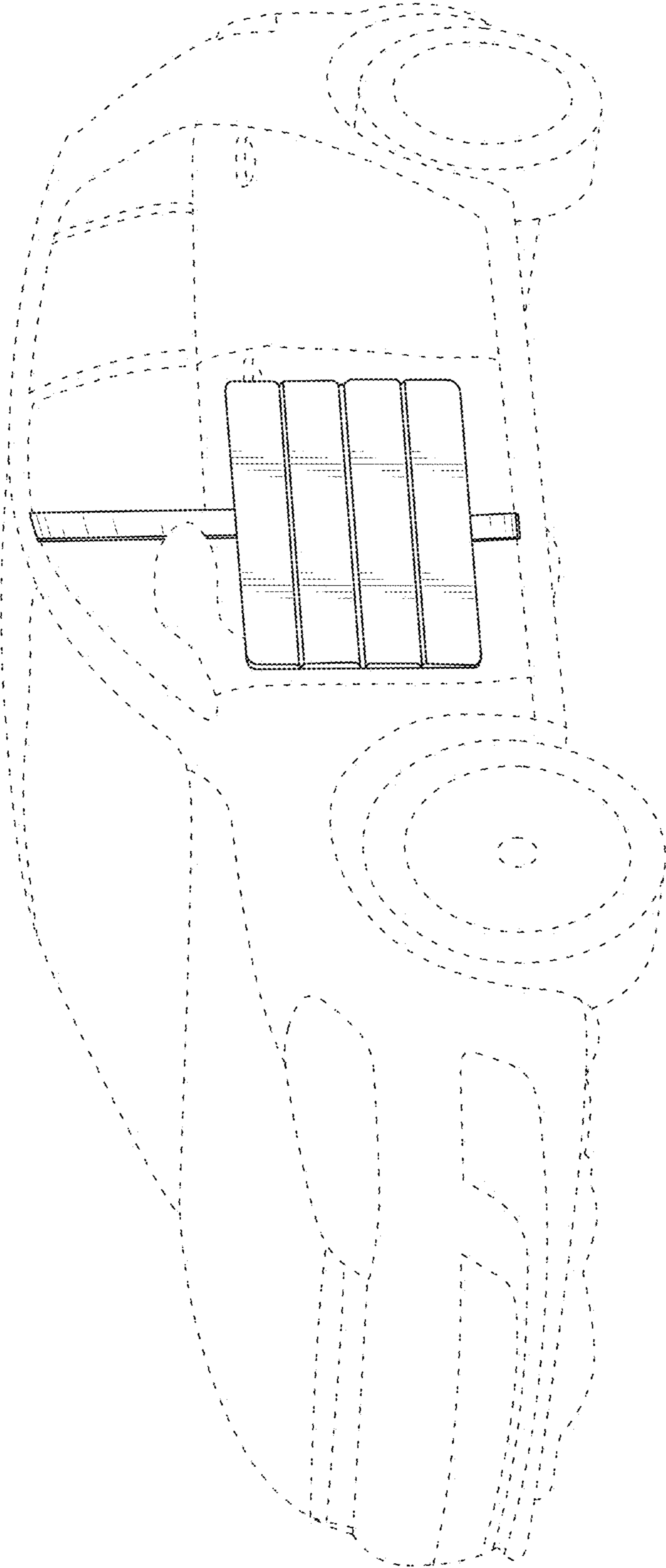


FIG. 11

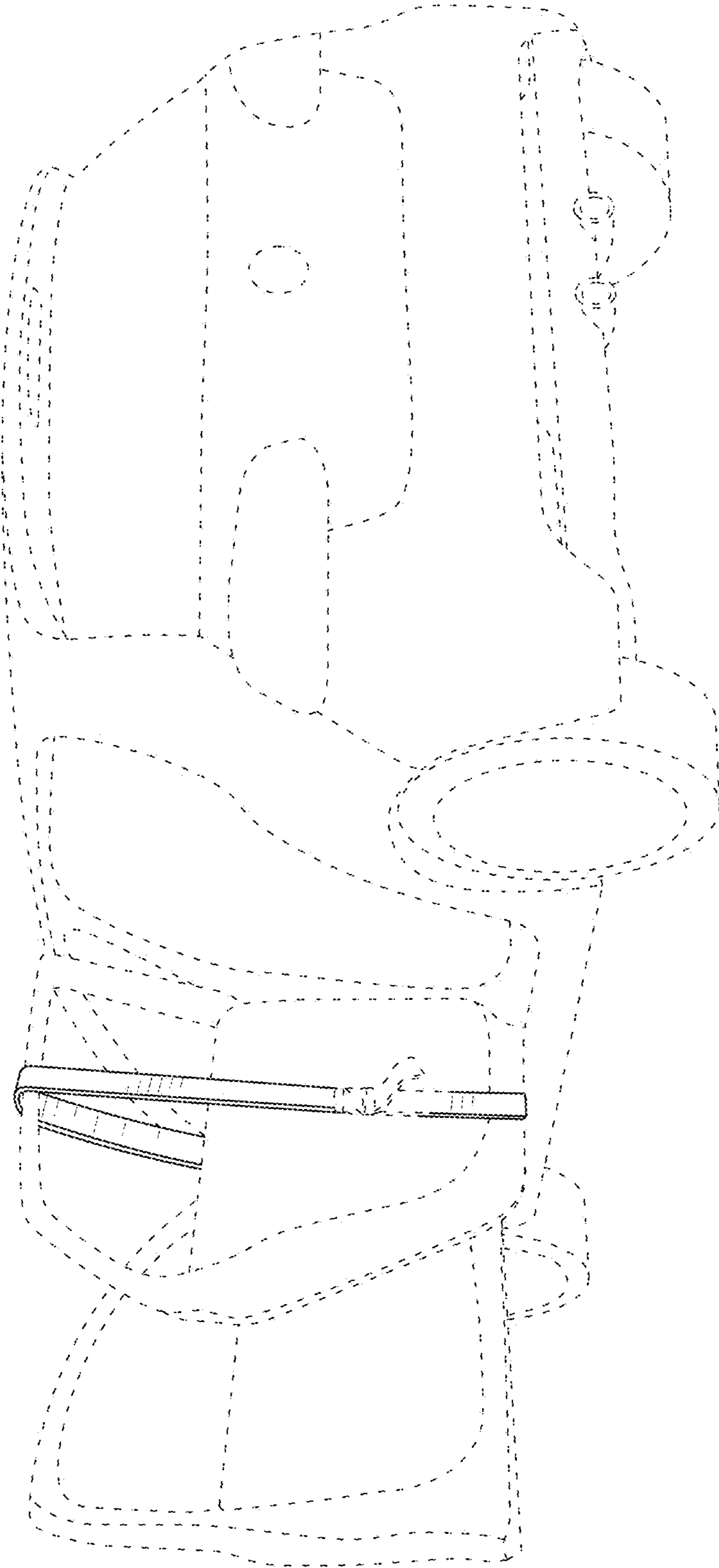


FIG. 12