



US0D1050666S

(12) **United States Design Patent** (10) **Patent No.:** **US D1,050,666 S**
Xu (45) **Date of Patent:** **** Nov. 5, 2024**

(54) **CROSS**
(71) Applicant: **Yini Xu**, Putian (CN)
(72) Inventor: **Yini Xu**, Putian (CN)
(**) Term: **15 Years**
(21) Appl. No.: **29/957,985**
(22) Filed: **Aug. 16, 2024**
(51) **LOC (14) Cl.** **99-00**
(52) **U.S. Cl.**
USPC **D99/23**
(58) **Field of Classification Search**
USPC D99/23, 25, 27, 5; D11/96-97, 157, 149,
D11/81; D14/207; D26/51; 40/721,
40/489, 732; 52/104; 428/3; 27/1-2;
362/493
CPC A61G 17/00; A61G 17/08; A47G 33/00;
A47G 33/02; F21V 33/00
See application file for complete search history.

(56) **References Cited**

U.S. PATENT DOCUMENTS

1,286,911 A * 12/1918 Bakula A44C 1/00
428/3
1,524,835 A * 2/1925 Walker A47G 33/02
362/121
2,030,356 A * 2/1936 Dibb A45C 1/12
428/3
2,246,122 A * 6/1941 Brennan B44C 1/26
428/3
2,366,377 A * 1/1945 Zois A01G 5/04
47/41.12
2,712,191 A * 7/1955 Hillenbrand A61G 17/04
248/500
4,058,929 A * 11/1977 O'Connell A01G 5/04
428/3
D253,041 S * 10/1979 Ellard D99/27

4,692,749 A * 9/1987 Bussing, Jr. G08B 21/0297
340/693.8
D370,282 S * 5/1996 Grether D99/27
6,082,880 A * 7/2000 Nerlino A47G 33/02
362/249.17
D440,734 S * 4/2001 Berry D99/23
D443,970 S * 6/2001 Stucker D99/27
D480,182 S * 9/2003 McAnally D99/27
D480,322 S * 10/2003 Manning D11/83
D508,580 S * 8/2005 Norris D99/27
D525,163 S * 7/2006 Balch D11/86
D578,275 S * 10/2008 Shantz D99/17
D618,135 S * 6/2010 Horst D11/157
D653,988 S 2/2012 Hayden et al.
D656,429 S * 3/2012 Cadigan D11/96
D663,095 S * 7/2012 Naimi D99/27
D671,770 S * 12/2012 Kroll D6/674
D696,813 S * 12/2013 Odisho D26/125
D745,793 S * 12/2015 Kroll D99/27
D752,367 S * 3/2016 Kroll D99/27

(Continued)

Primary Examiner — Paula Allen Greene
(74) *Attorney, Agent, or Firm* — Hemisphere Law, PLLC;
Zhigang Ma

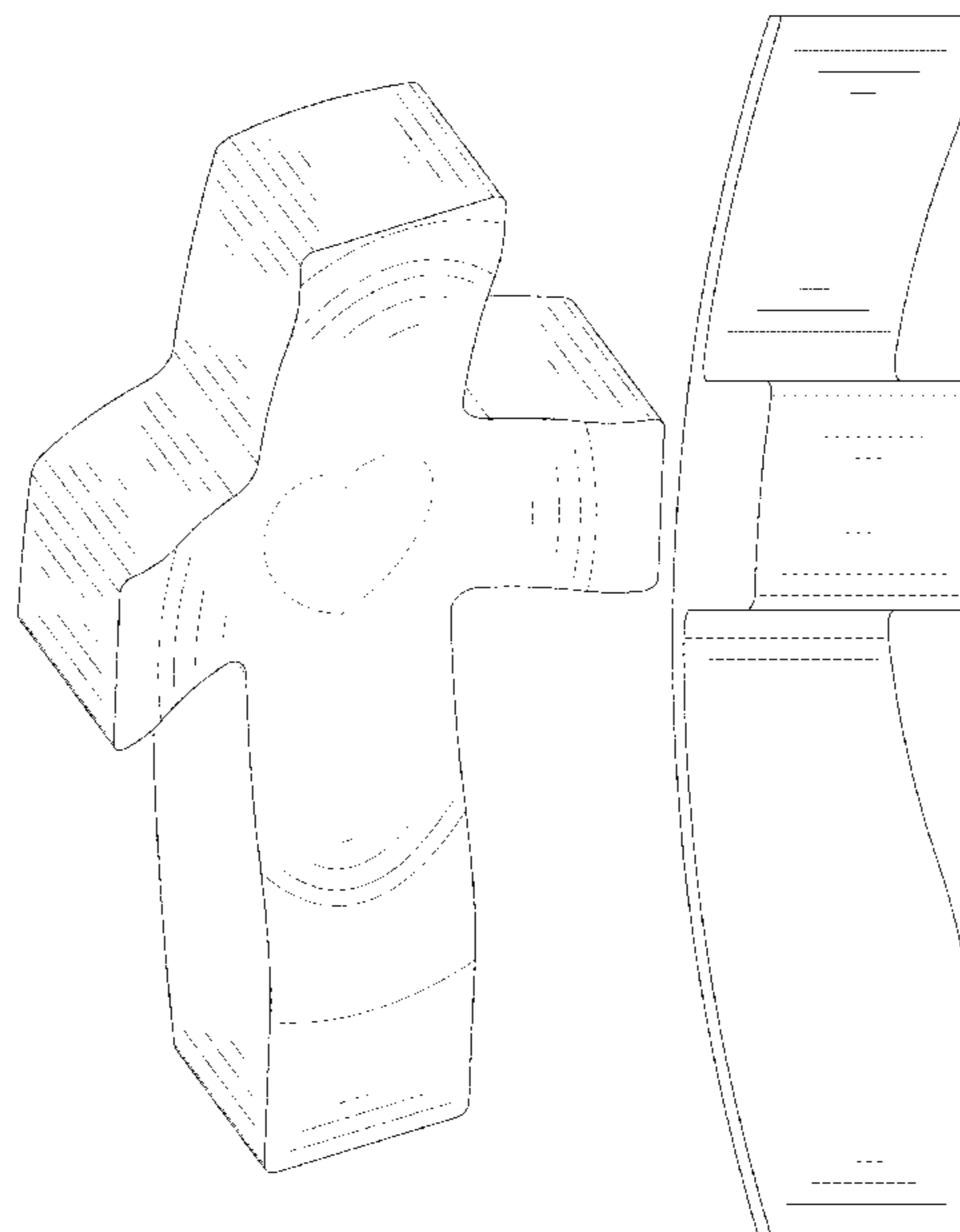
(57) **CLAIM**

The ornamental design for a cross, as shown and described.

DESCRIPTION

FIG. 1 is a first perspective view of a cross showing my new design;
FIG. 2 is a second perspective view thereof;
FIG. 3 is a front view thereof;
FIG. 4 is a back view thereof;
FIG. 5 is a left side view thereof;
FIG. 6 is a right side view thereof;
FIG. 7 is a top view thereof; and,
FIG. 8 is a bottom view thereof.
The broken lines shown in the drawings depict portions of the cross that form no part of the claimed design.

1 Claim, 8 Drawing Sheets



(56)

References Cited

U.S. PATENT DOCUMENTS

D753,538	S	*	4/2016	David	D11/96
D756,590	S	*	5/2016	Bialecki	D99/27
D768,414	S	*	10/2016	Kroll	D99/27
D830,663	S	*	10/2018	Singh	D99/27
D955,285	S		6/2022	Freeman et al.	
D989,656	S	*	6/2023	Salvadori	D99/27
2010/0314408	A1	*	12/2010	Hartel	A47G 33/02 222/642

* cited by examiner

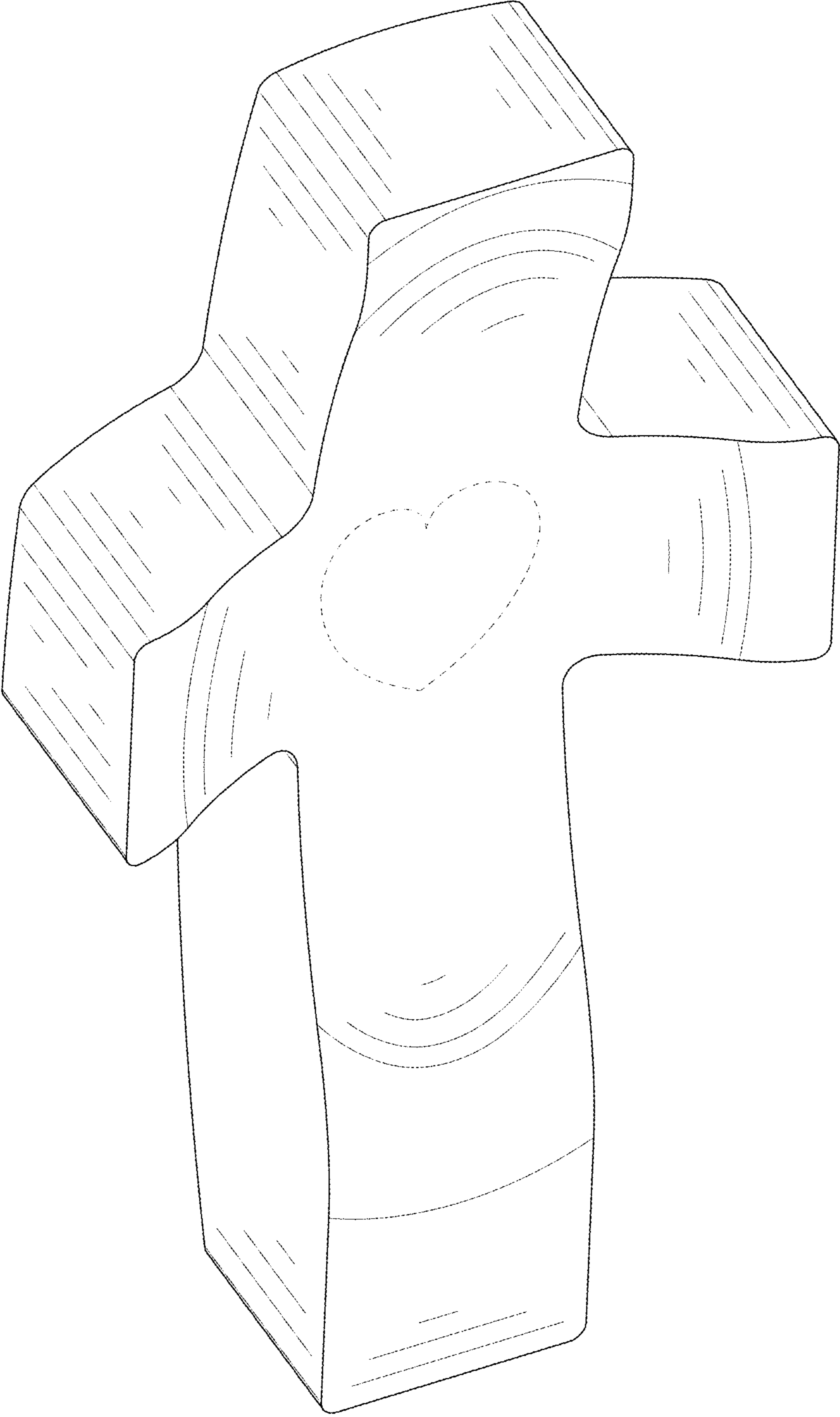


FIG. 1

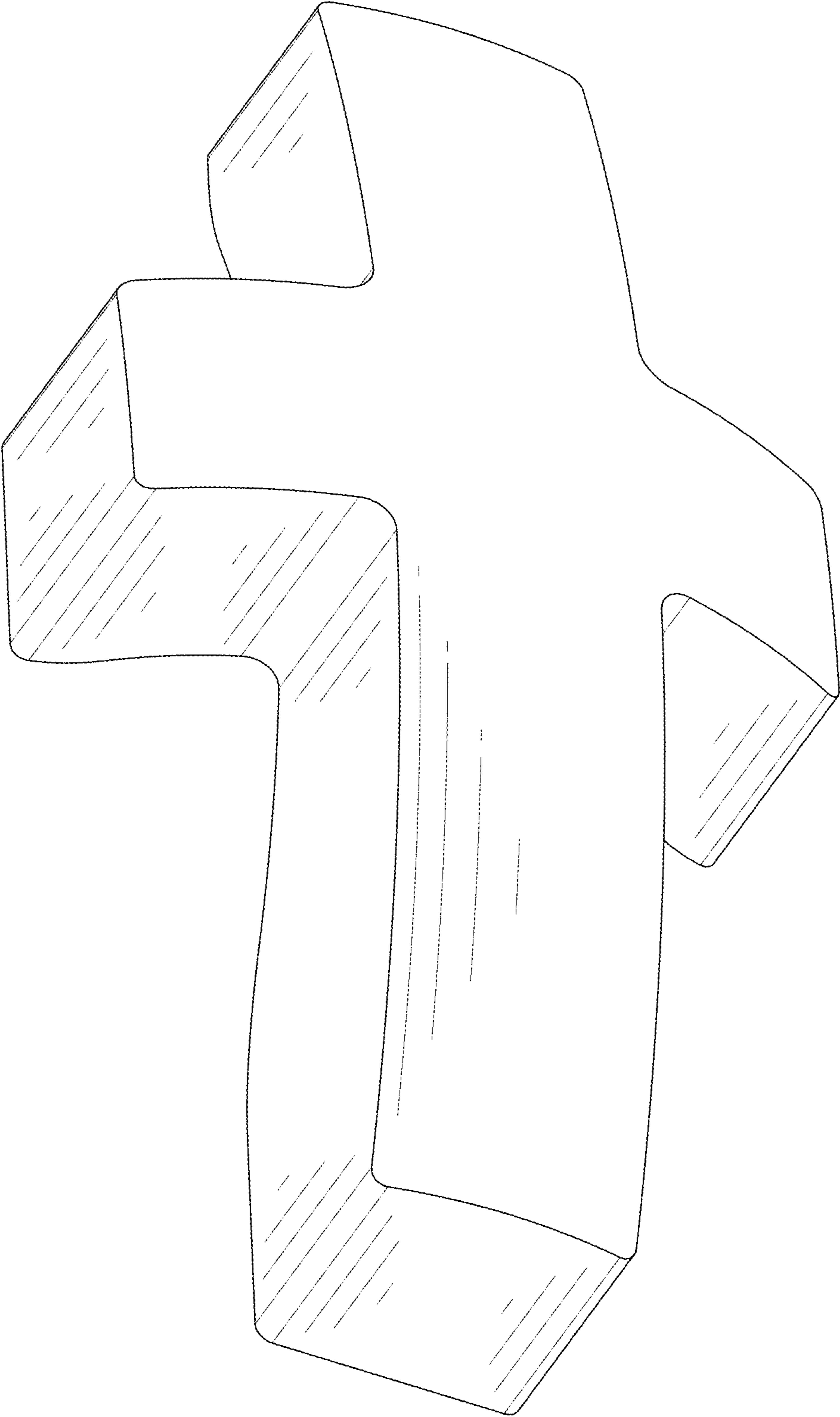


FIG. 2

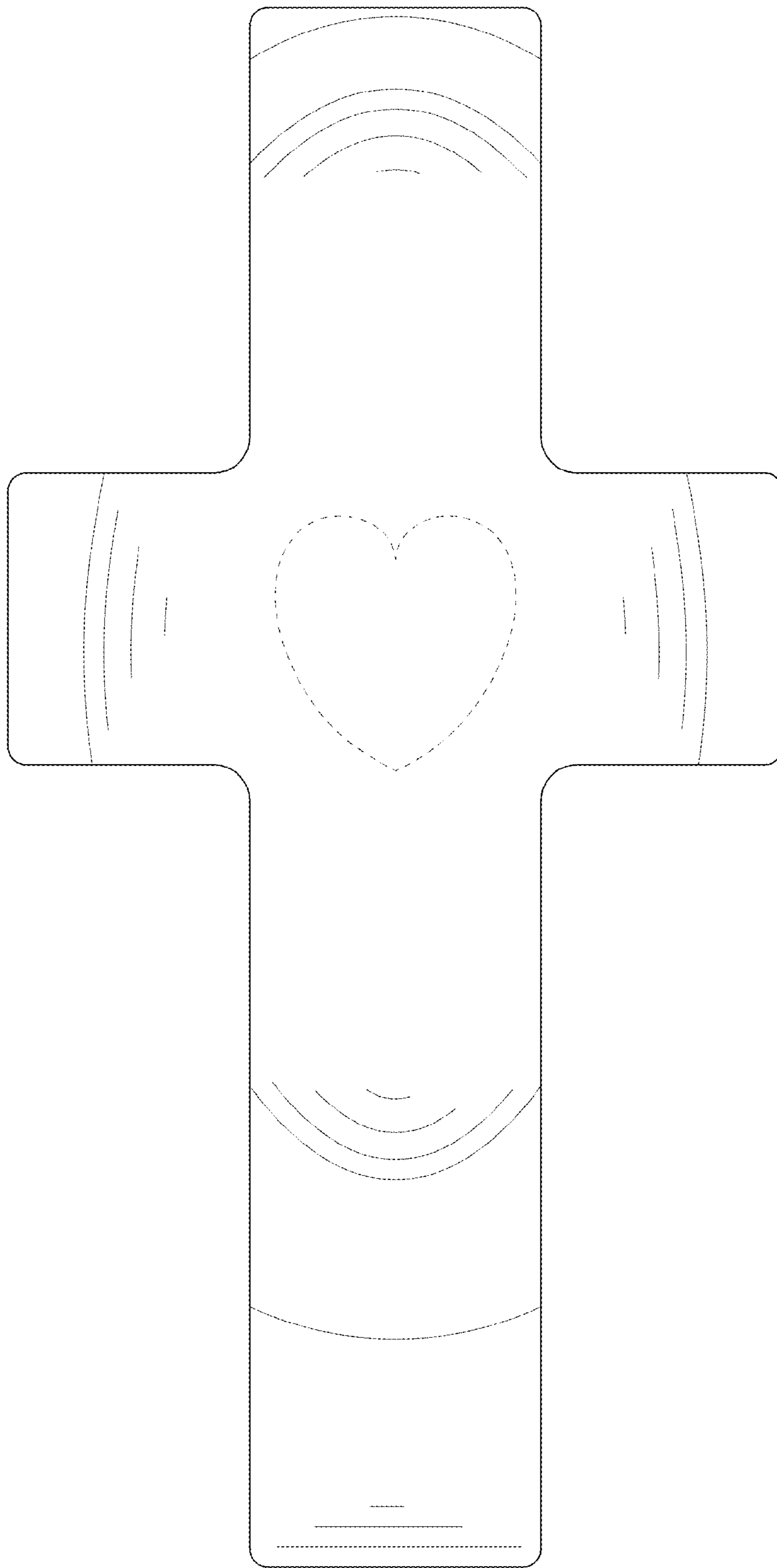


FIG. 3

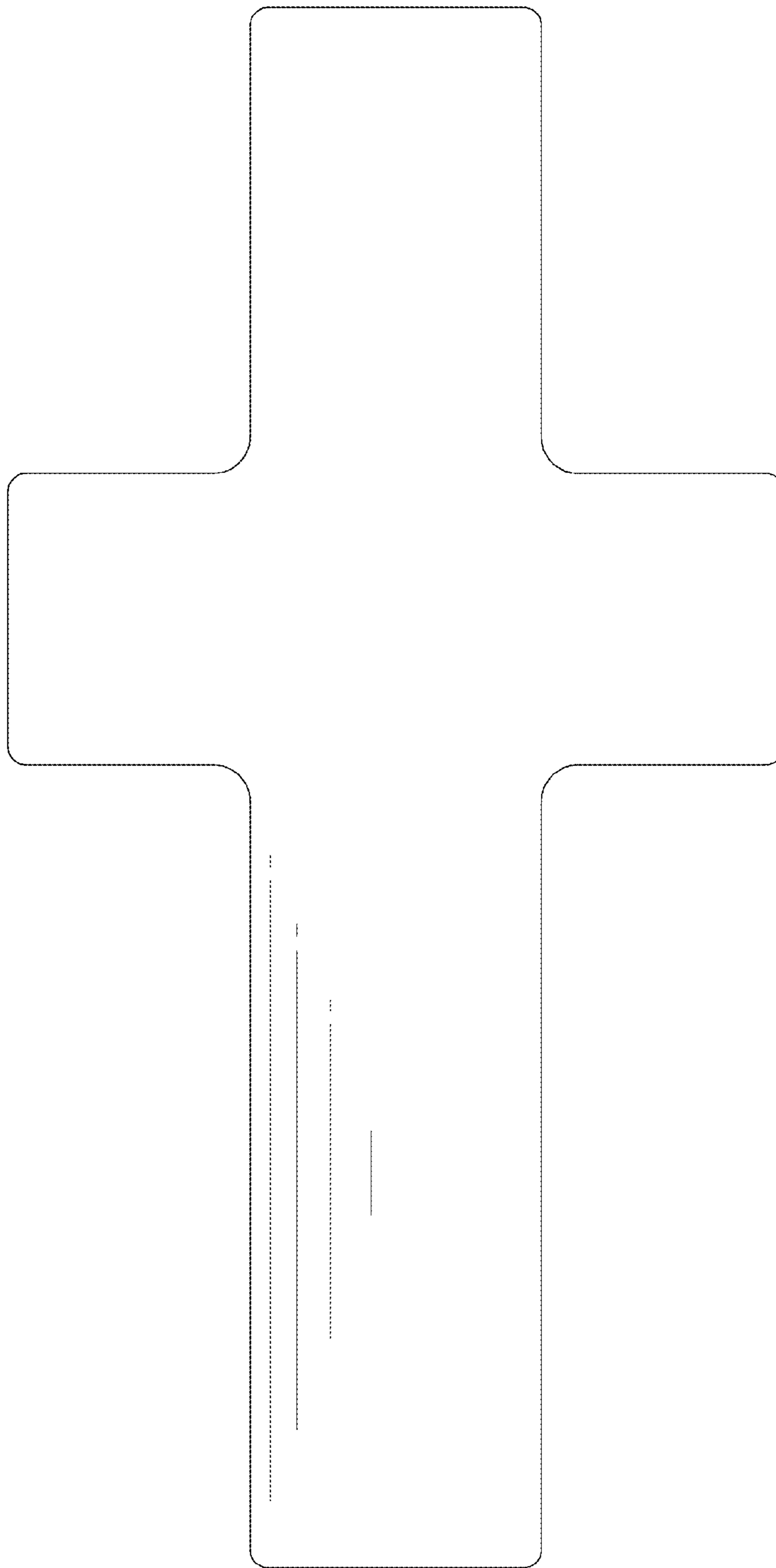


FIG. 4

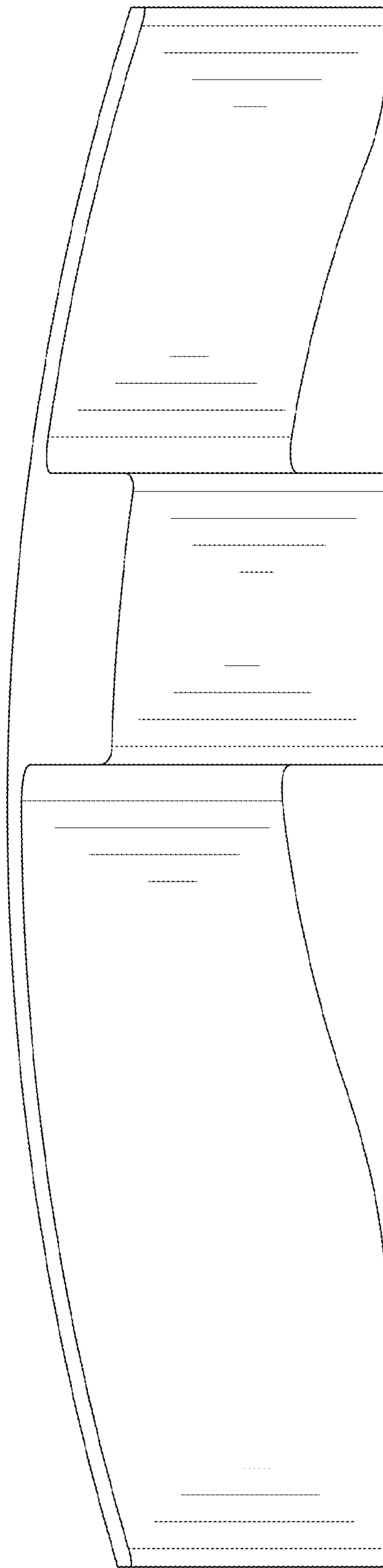


FIG. 5

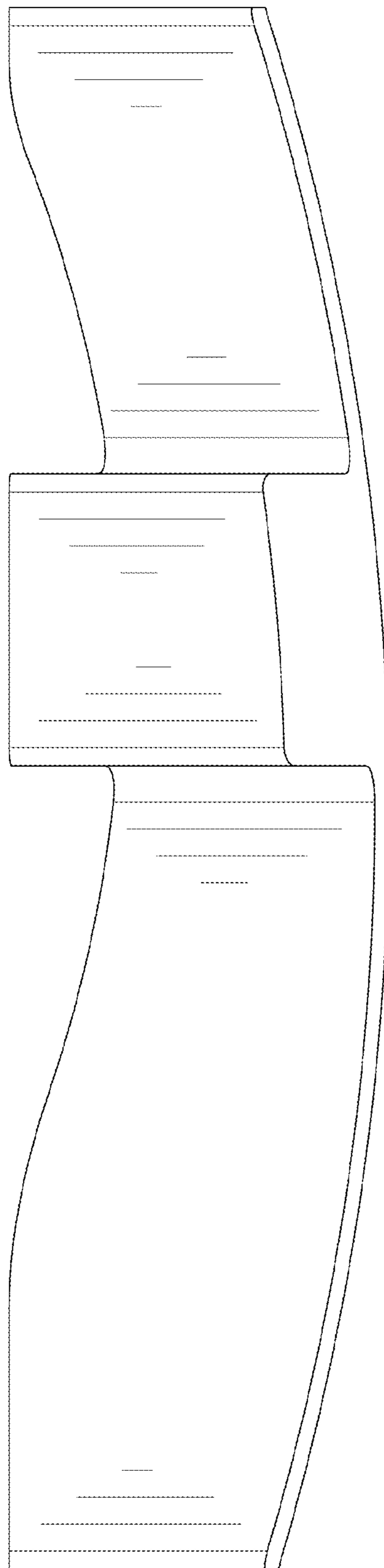


FIG. 6

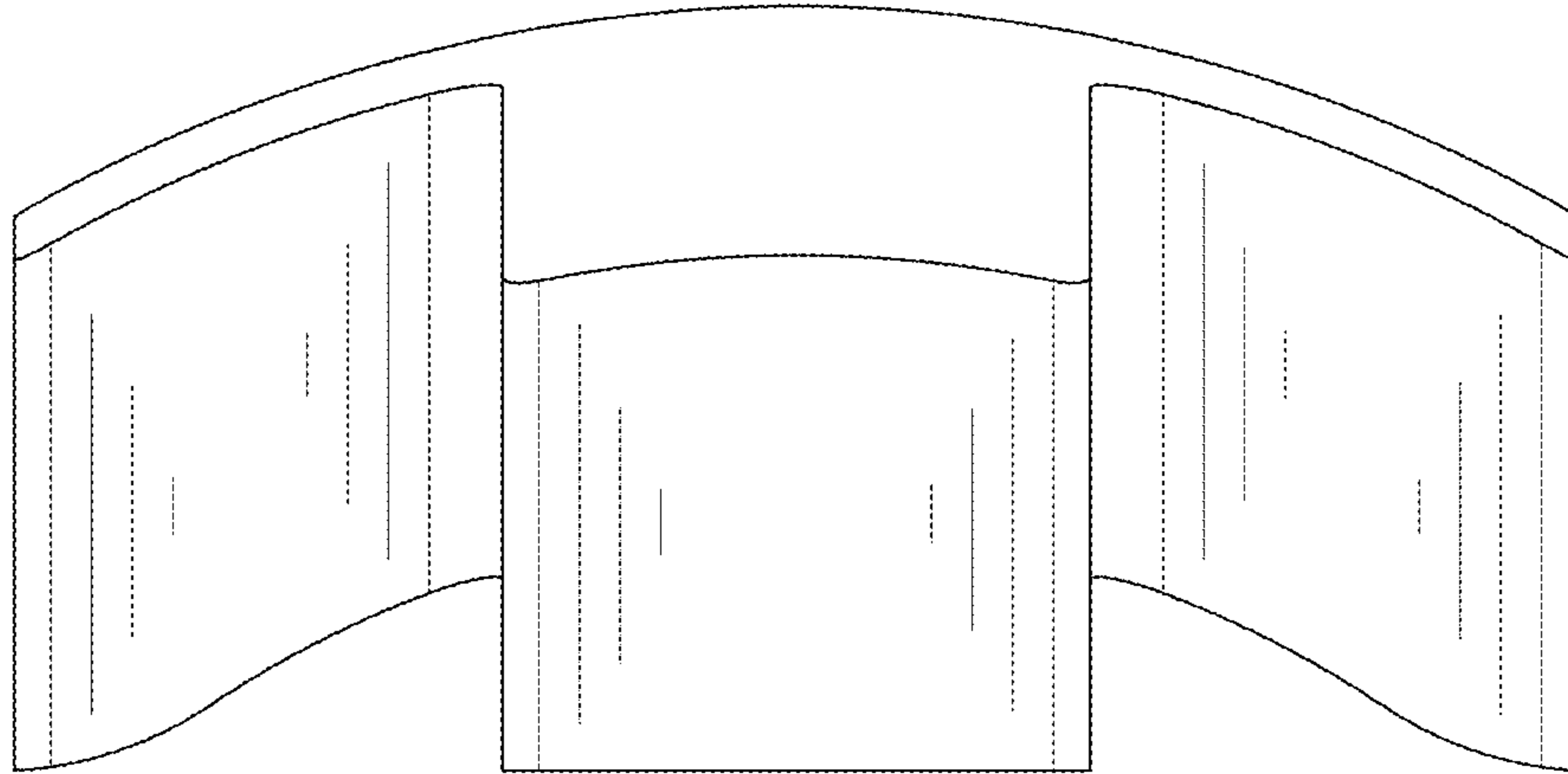


FIG. 7

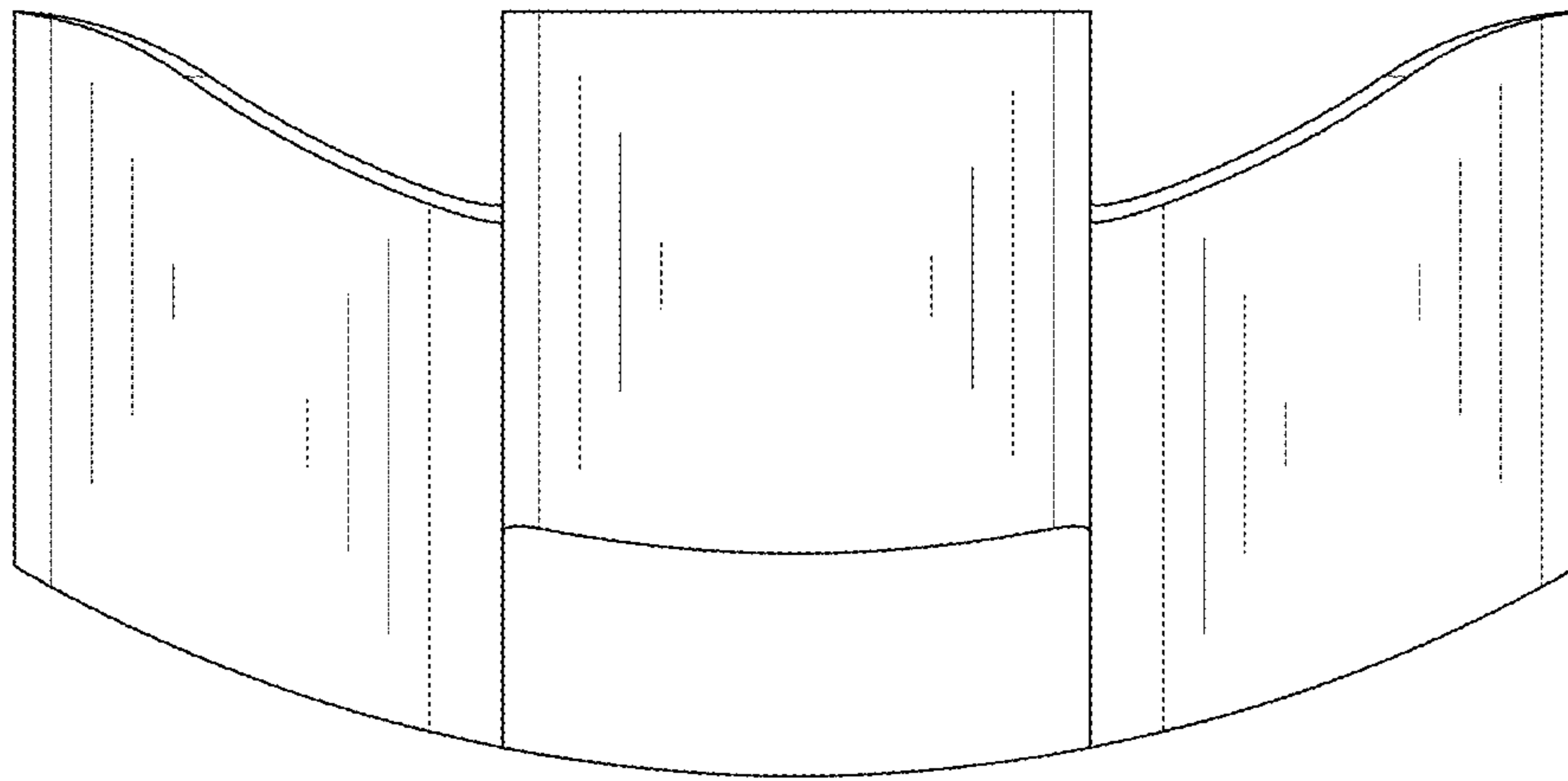


FIG. 8