



US0D1050632S

(12) **United States Design Patent** (10) **Patent No.: US D1,050,632 S**
Jovanovic (45) **Date of Patent: ** Nov. 5, 2024**

(54) **VIRUS-SHAPED PET TOY**

(71) Applicant: **Sanja Jovanovic**, Chatsworth, CA (US)

(72) Inventor: **Sanja Jovanovic**, Chatsworth, CA (US)

(**) Term: **15 Years**

(21) Appl. No.: **29/823,133**

(22) Filed: **Jan. 14, 2022**

(51) **LOC (14) Cl.** **30-12**

(52) **U.S. Cl.**

USPC **D30/160**

(58) **Field of Classification Search**

USPC D30/158, 160; D21/360, 361, 406, 407,
D21/414, 415, 418, 468, 496, 576, 577,
D21/584, 593, 594, 606, 609, 615, 621,
D21/622, 623, 627, 628, 713, 714

CPC A01K 15/025; A01K 15/026

See application file for complete search history.

(56) **References Cited**

U.S. PATENT DOCUMENTS

D267,665 S *	1/1983	Robinson	D21/622
D343,874 S *	2/1994	Messerli	D21/650
D358,610 S *	5/1995	Eubank	D19/62
D428,082 S *	7/2000	Cutillo	D21/622
D431,848 S *	10/2000	Hubbard	D21/713
6,264,522 B1 *	7/2001	Dickson	A44C 13/00 446/124
D522,071 S *	5/2006	Strother	D21/630
9,975,053 B1 *	5/2018	Sutton	A63H 3/365
D855,710 S *	8/2019	Buonocore	D21/615
11,173,411 B2 *	11/2021	Badie	A63H 3/365
D982,852 S *	4/2023	Wang	D30/160

FOREIGN PATENT DOCUMENTS

CN 306935580 * 11/2021

OTHER PUBLICATIONS

Tearrible—Virus; website archived Jan. 16, 2021, retrieved Oct. 25, 2023 [online]. URL: <https://web.archive.org/web/20210116032843/https://www.tearribles.com/product/tearrible-virus> (Year: 2021).*

Copy Of ♦♦ All Time Favorites Are Back! ♦♦ ♦♦; posted Nov. 19, 2022, retrieved Oct. 25, 2023 [online]. URL: <https://deal.town/tearribles/copy-of-all-time-favorites-are-back-P3JTYBVR8> (Year: 2022).*

* cited by examiner

Primary Examiner — Sheryl Lane

Assistant Examiner — Emily A Caven

(74) *Attorney, Agent, or Firm* — The Rapacke Law Group, P.A.; Andrew S. Rapacke

(57) **CLAIM**

The ornamental design for a virus-shaped pet toy, as shown and described.

DESCRIPTION

FIG. 1 is a front perspective view of the virus-shaped pet toy, showing the new design;

FIG. 2 is a rear perspective view of the virus-shaped pet toy thereof;

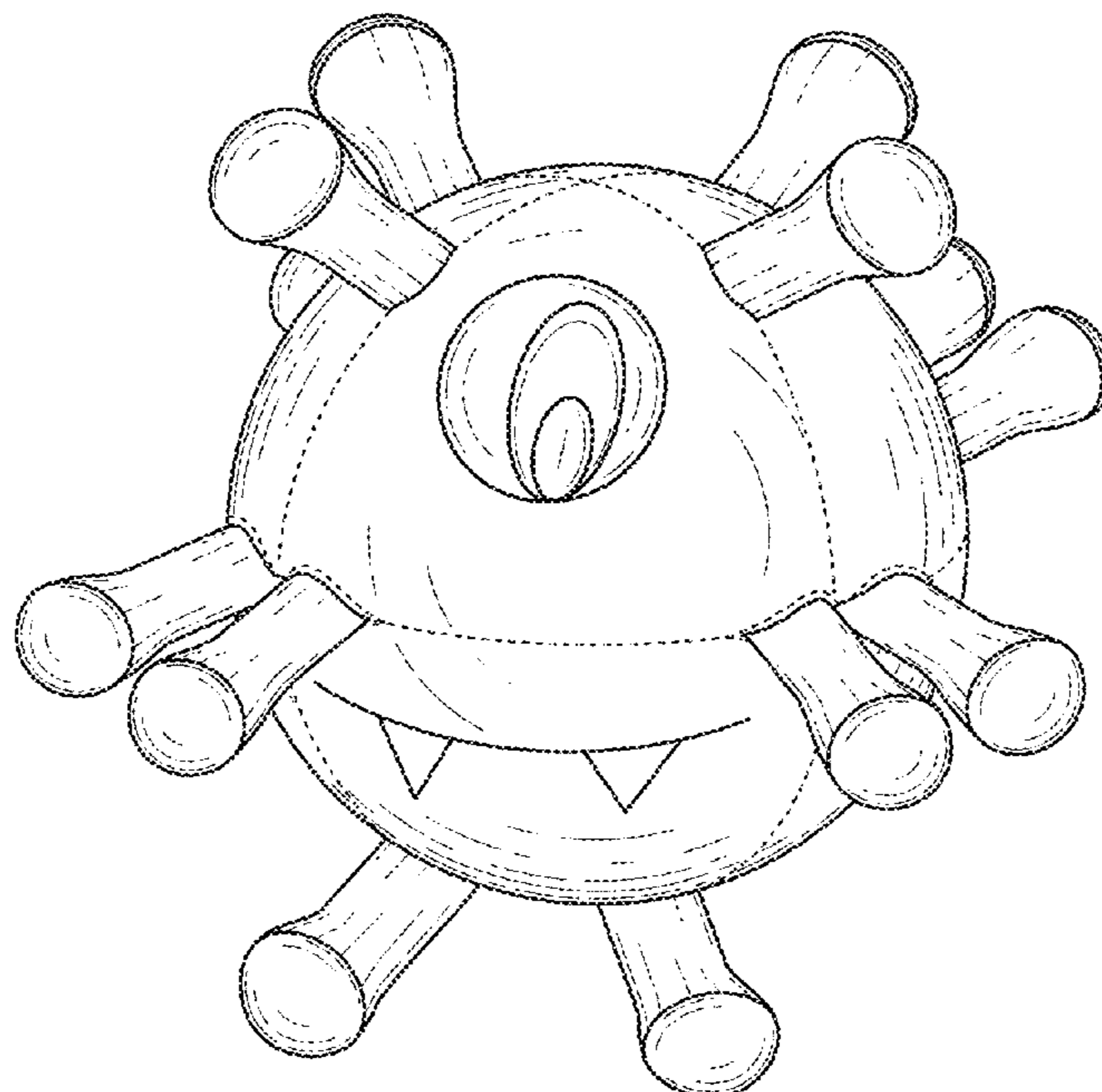
FIG. 3 is a front view of the virus-shaped pet toy thereof;

FIG. 4 is a rear view of the virus-shaped pet toy thereof;

FIG. 5 is a left side view of the virus-shaped pet toy thereof;

FIG. 6 is a right side view of the virus-shaped pet toy thereof; and,
FIG. 7 is a top plan view of the virus-shaped pet toy thereof. The broken lines illustrate portions of the virus-shaped pet toy that form no part of the claimed design.

1 Claim, 4 Drawing Sheets



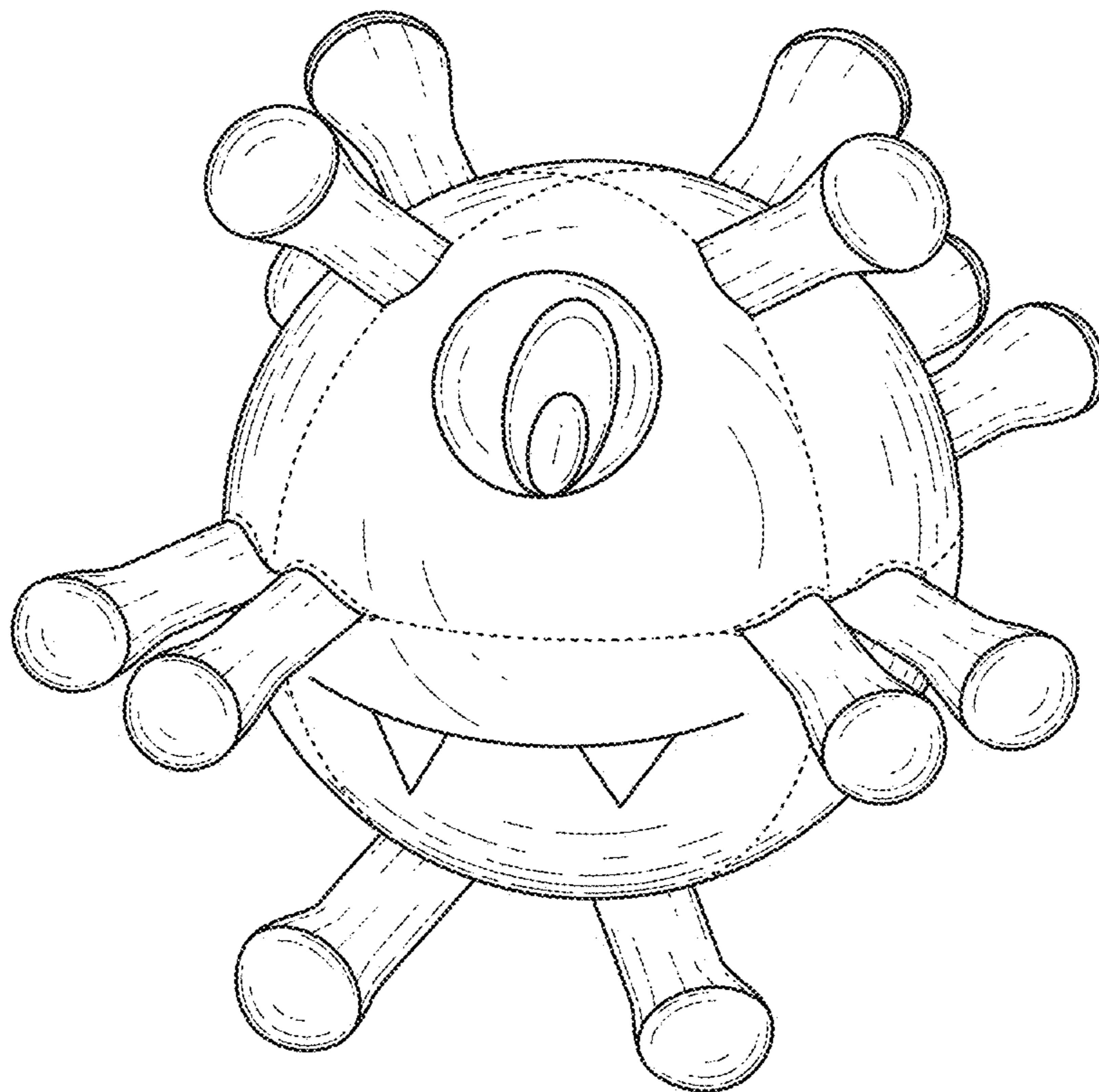


FIG. 1

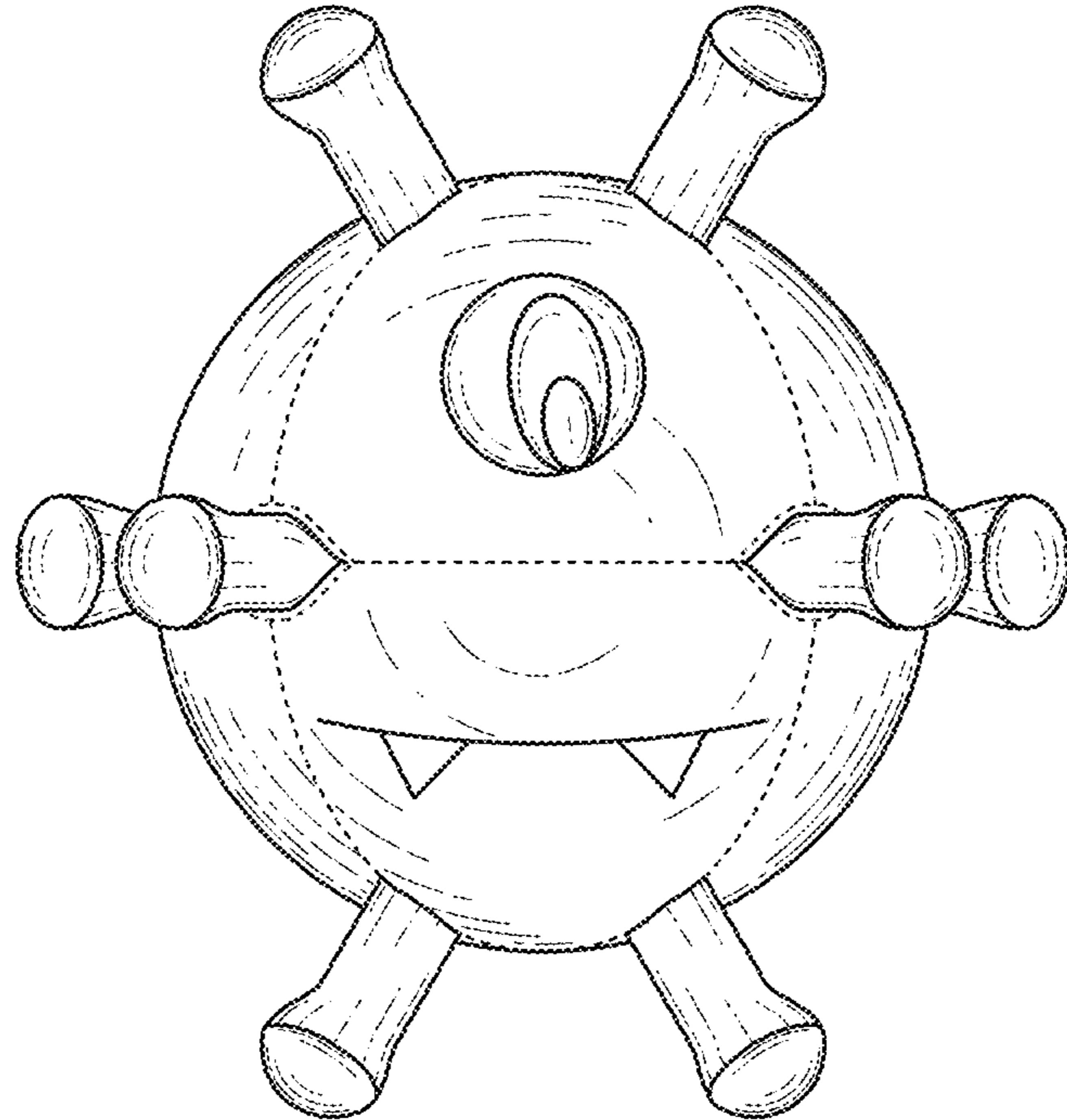


FIG. 2

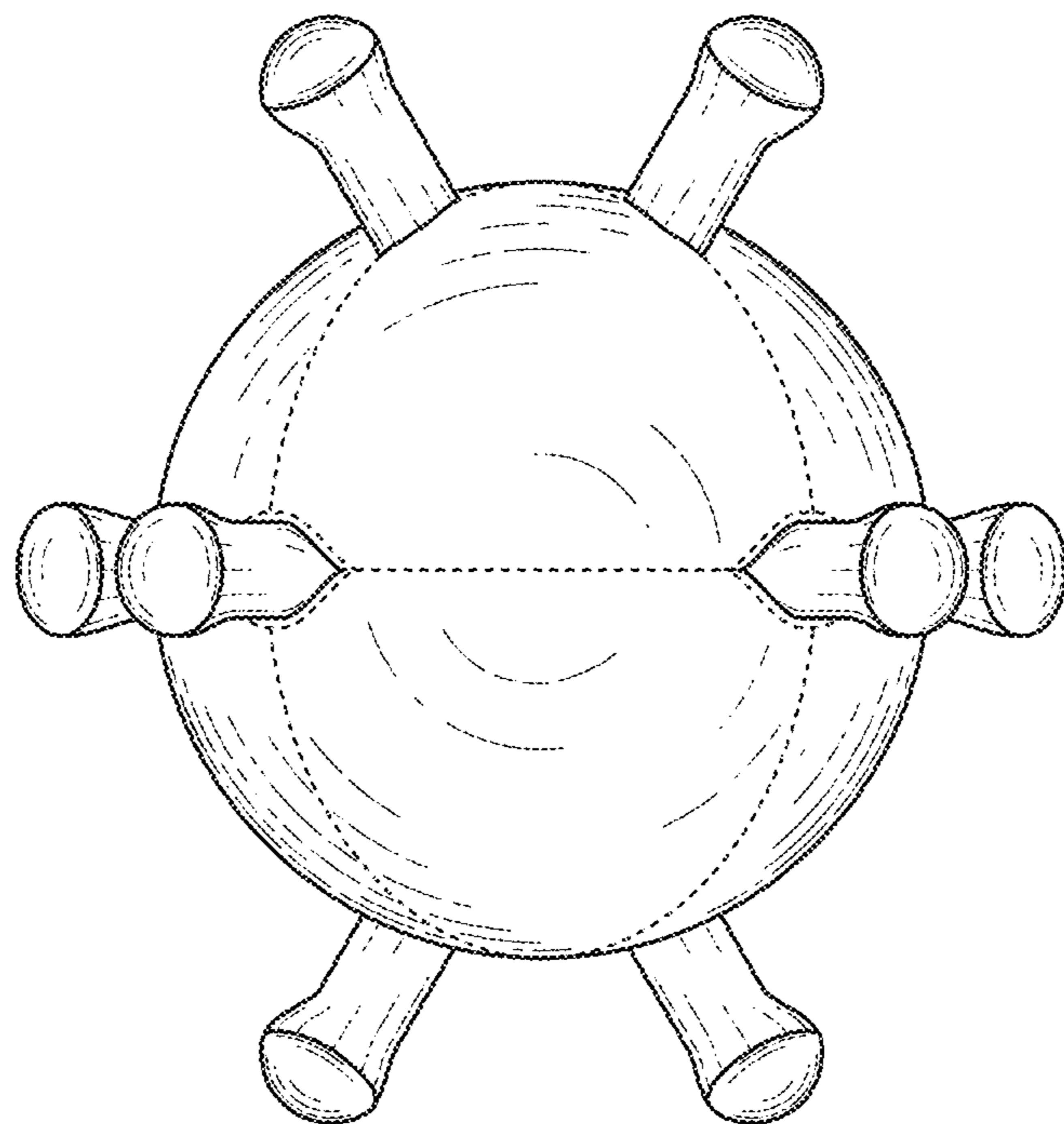


FIG. 3

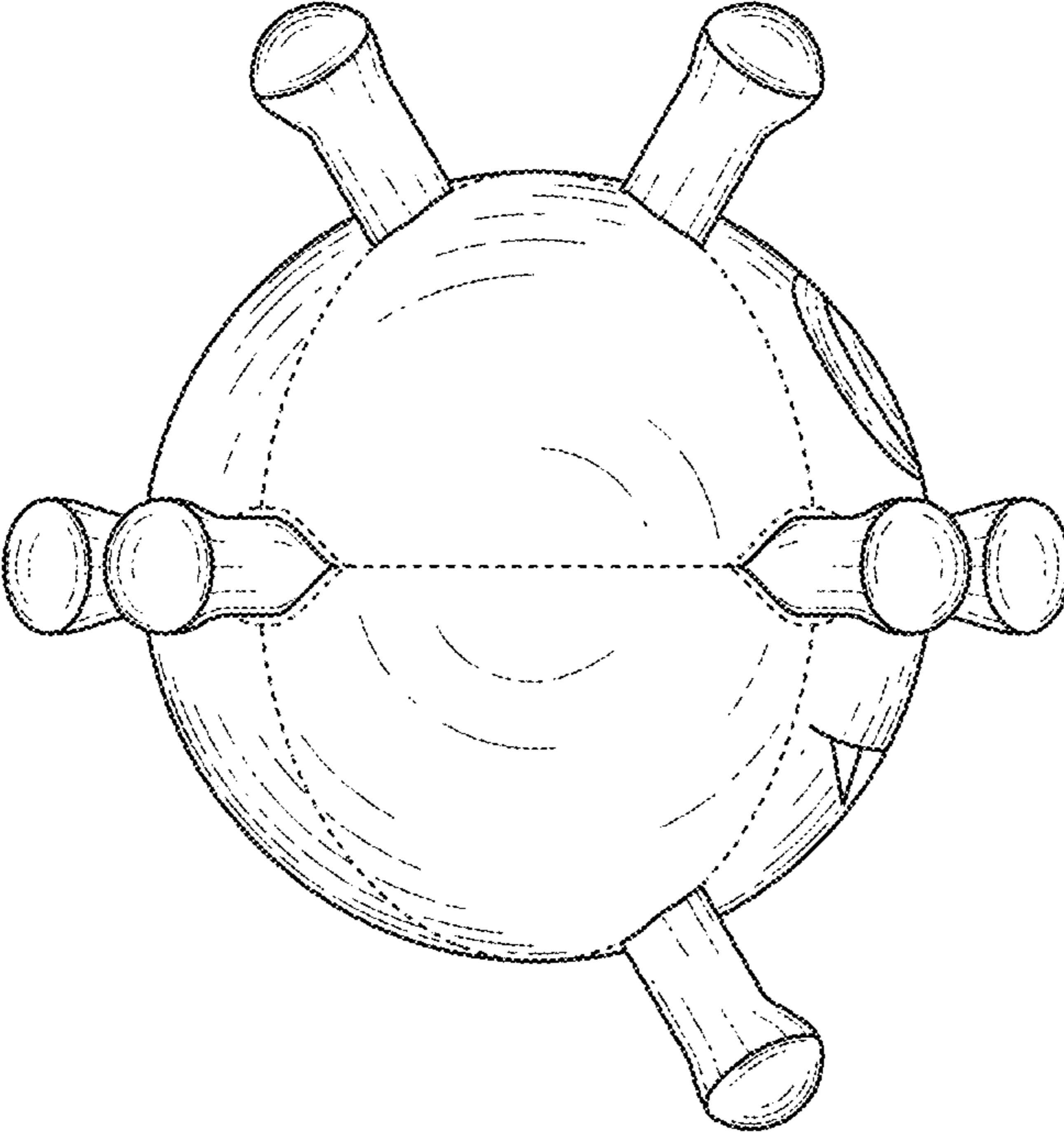


FIG. 4

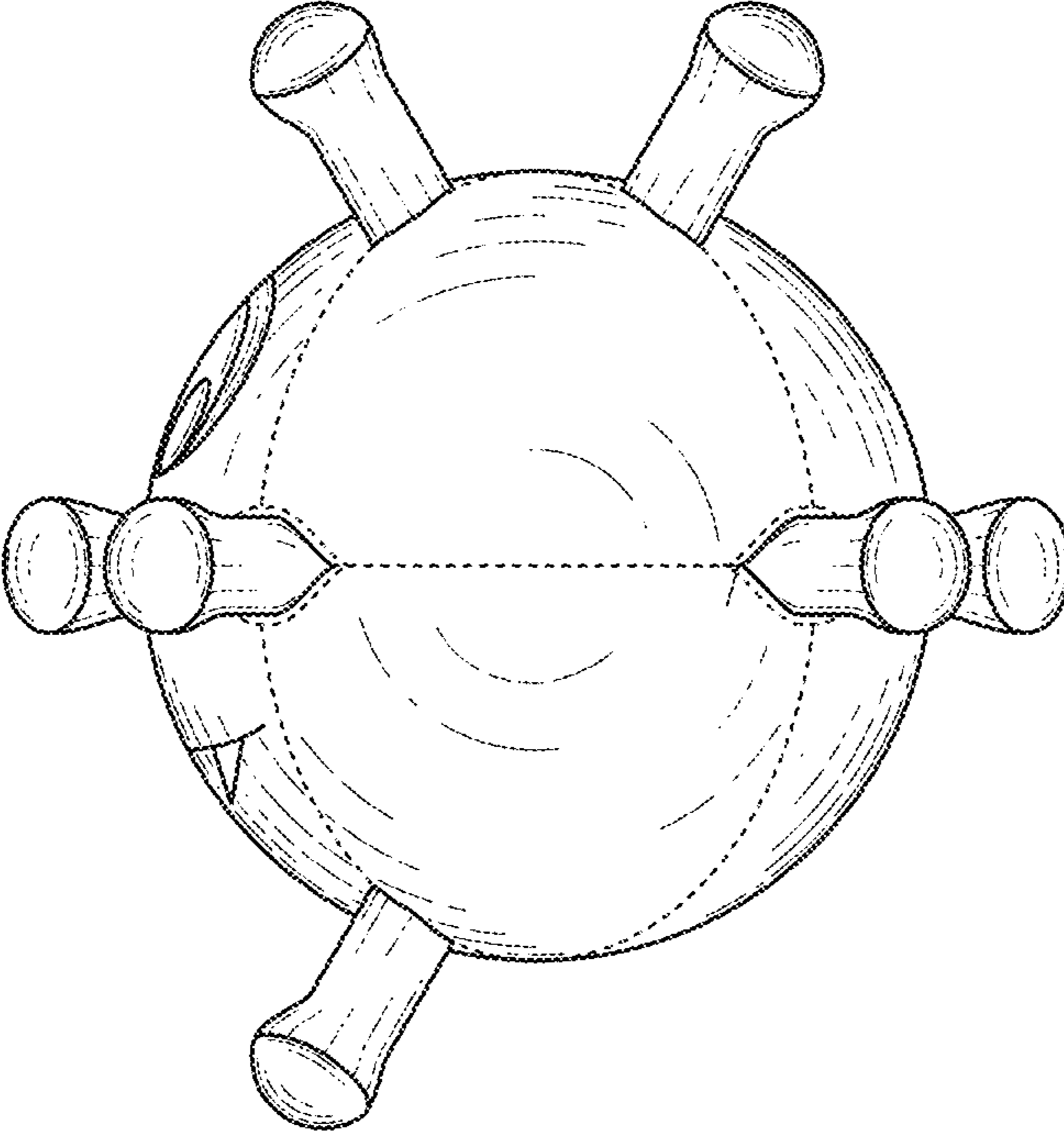


FIG. 5

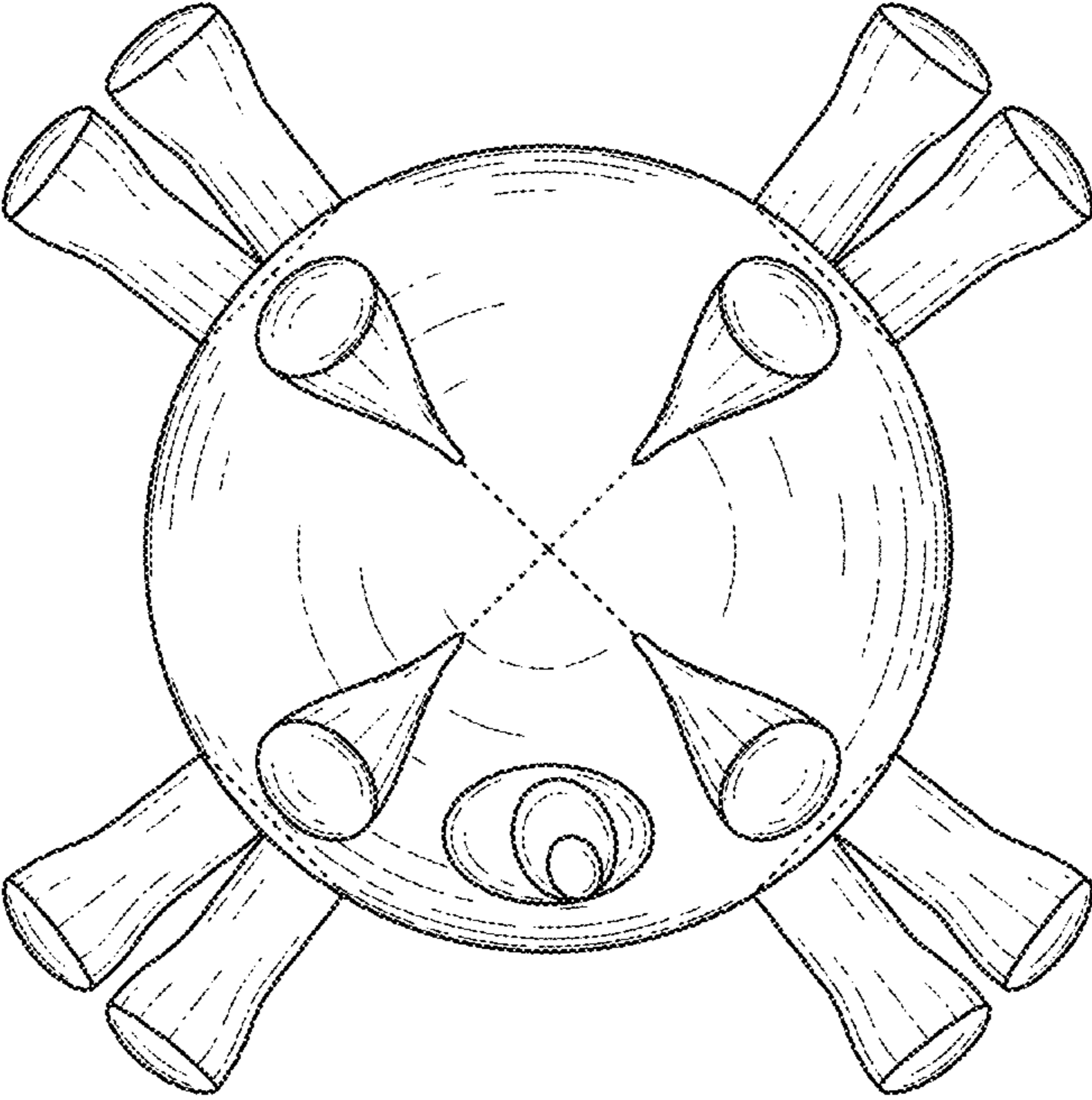


FIG. 6

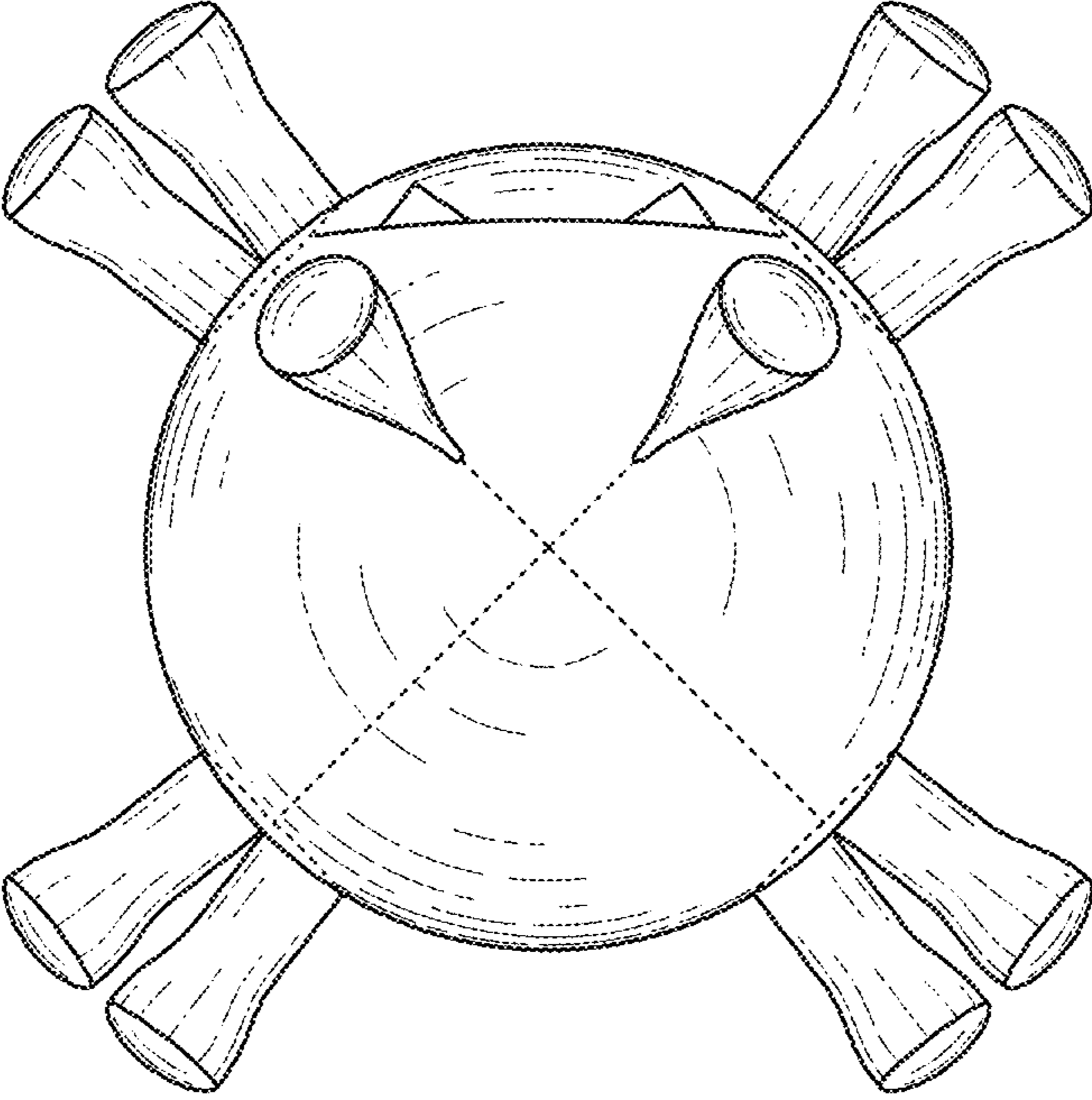


FIG. 7