



US0D1050627S

(12) **United States Design Patent**
Murgu

(10) **Patent No.: US D1,050,627 S**

(45) **Date of Patent: ** *Nov. 5, 2024**

(54) **PET GROOMING STATION**

(71) Applicant: **Mihai Cristian Murgu**, Bururesti (RO)

(72) Inventor: **Mihai Cristian Murgu**, Bururesti (RO)

(*) Notice: This patent is subject to a terminal disclaimer.

(**) Term: **15 Years**

(21) Appl. No.: **29/929,887**

(22) Filed: **Feb. 26, 2024**

Related U.S. Application Data

(63) Continuation of application No. 29/862,857, filed on Dec. 13, 2022.

(51) **LOC (14) Cl.** **30-99**

(52) **U.S. Cl.**
USPC **D30/158**

(58) **Field of Classification Search**
USPC D30/158, 199
CPC A01K 13/001; A01K 13/00
See application file for complete search history.

(56) **References Cited**

U.S. PATENT DOCUMENTS

5,711,252	A *	1/1998	Brandolino	A01K 13/001
					119/512
6,988,467	B1 *	1/2006	Smith	A01K 13/001
					119/673
7,080,608	B1 *	7/2006	Arndt	A01K 13/001
					119/665
D598,079	S *	8/2009	Lutz	D23/278
8,069,821	B1 *	12/2011	Green	A01K 13/001
					119/673
D770,694	S *	11/2016	Beilinson	D30/158
9,820,469	B2 *	11/2017	Caldwell	A01K 13/001
10,624,313	B1 *	4/2020	Gray	A47K 3/32
D898,291	S	10/2020	Taylor et al.		
10,918,089	B2	2/2021	Cesta		

11,229,930	B2 *	1/2022	Arndt	B08B 17/025
11,419,311	B2 *	8/2022	Escalante	A01K 13/001
D975,923	S	1/2023	Fox		

(Continued)

OTHER PUBLICATIONS

“Kanis Bathing Station” available Aug. 14, 2022, [online], [site visited Apr. 5, 2024]. Retrieved from Internet, URL:https://www.amazon.com/KANIS-Professional-Stainless-Bathing-Station/dp/B0B9HHBB39?ref_ast_sto_dp&th=1 (Year: 2022).*

(Continued)

Primary Examiner — Katrina N Gonzalez

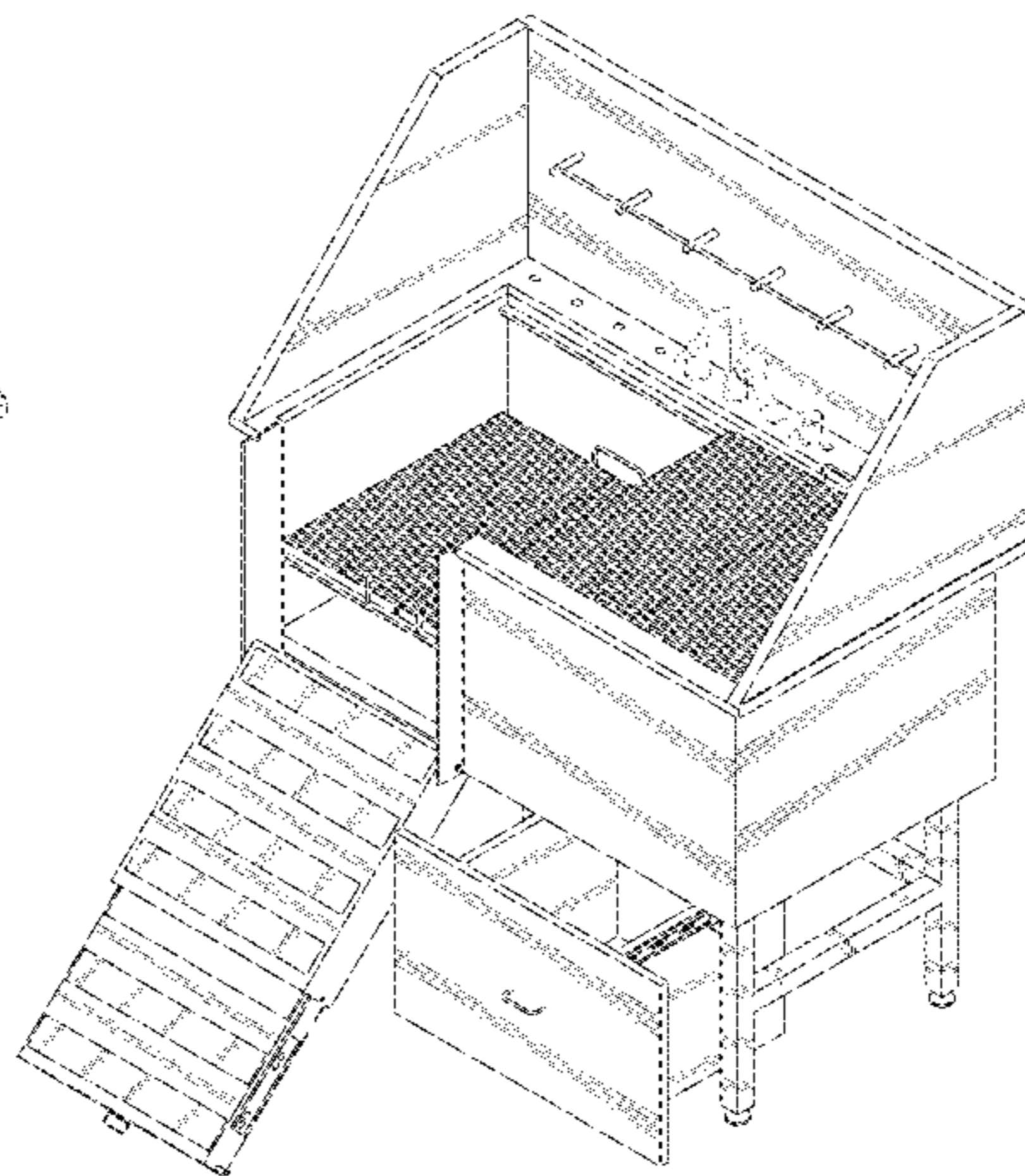
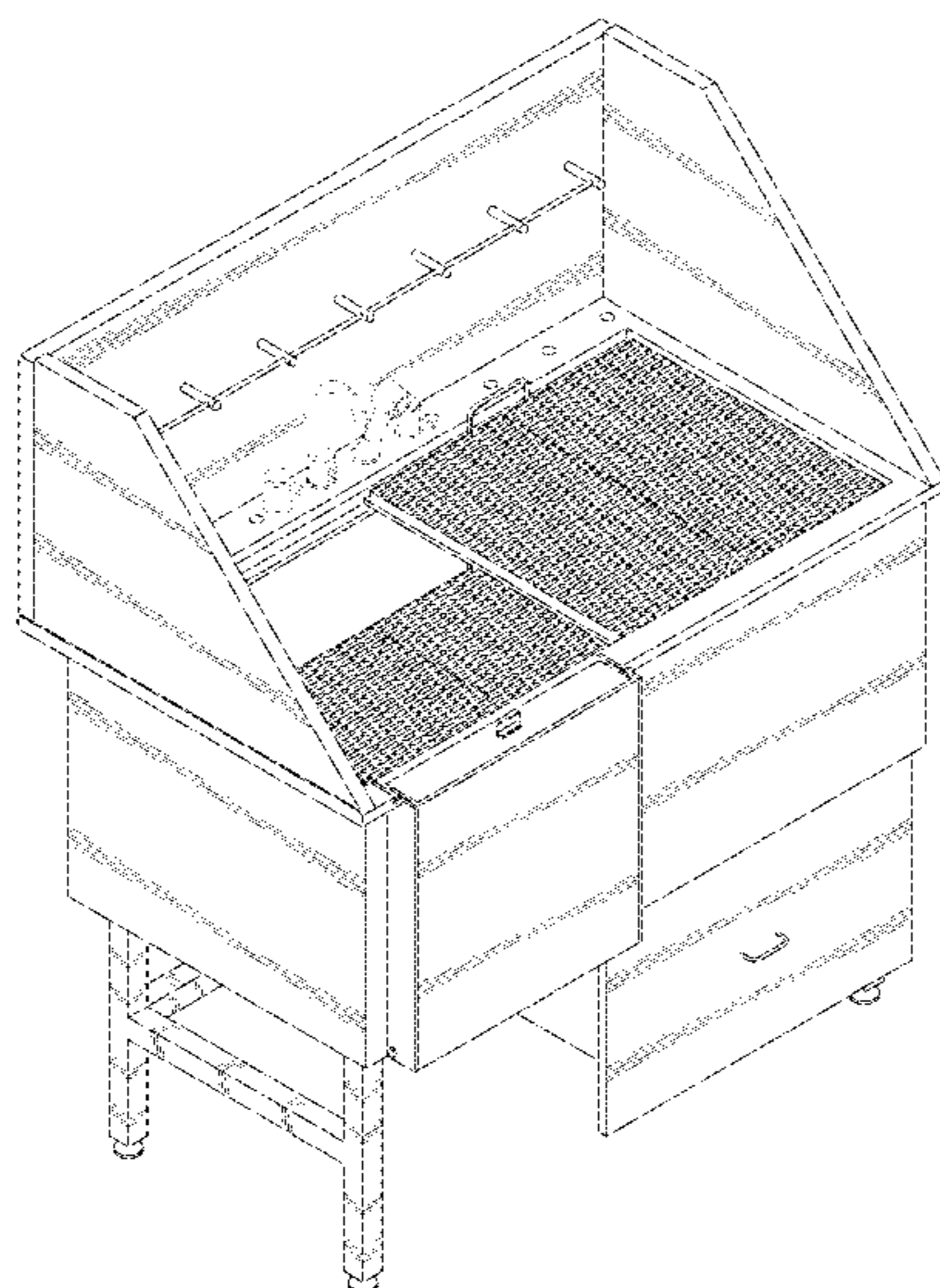
(57) **CLAIM**

The ornamental design for a pet grooming station, substantially as shown and described.

DESCRIPTION

FIG. 1 is a top, perspective view of the pet grooming station; the view showing my new design;
FIG. 2 is a front elevation view thereof;
FIG. 3 is a rear elevation view thereof;
FIG. 4 is a side view thereof;
FIG. 5 is a side view thereof;
FIG. 6 is a top view thereof;
FIG. 7 is a bottom view thereof;
FIG. 8 is a bottom, perspective thereof;
FIG. 9 is a top, perspective view thereof; the view showing the ramp in the open position;
FIG. 10 is a top, perspective view thereof; the view showing the ramp in the open position; the view showing the drawer in the open position;
FIG. 11 is a top, perspective view thereof; the view showing the ramp in a partially open position; and,
FIG. 12 is a top, perspective view thereof; the view showing the ramp in a closed position.
The broken lines illustrate portions of the pet grooming station that form no part of the claimed design.

1 Claim, 12 Drawing Sheets



(56)

References Cited

U.S. PATENT DOCUMENTS

D1,002,973 S * 10/2023 Murgu D30/158
2003/0000482 A1 * 1/2003 Batterton A01K 13/001
119/650
2012/0037085 A1 * 2/2012 Caisse A01K 13/001
119/676
2018/0132451 A1 * 5/2018 Arndt A01K 15/04

OTHER PUBLICATIONS

“Stainless Steel Pet Grooming Bath Tub” available Jan. 11, 2024, [online], [site visited Apr. 5, 2024]. Retrieved from Internet, URL:<https://www.wayfair.com/pet/pdp/bring-home-furniture-stainless-steel-pet-grooming-bath-tub-dog-washing-station-with-door-ramp-brng2245.html> (Year: 2024).*

“34 inch Dog Grooming Bathtub” available Mar. 17, 2023, [online], [site visited Apr. 5, 2024]. Retrieved from Internet, URL:https://www.amazon.com/Globamboo-Grooming-Professional-Stainless-Accessories/dp/B0BYT8GBSJ/ref=asc_df_B0BYT8GBSJ/ (Year: 2023).*

“Vevor 50” available Nov. 23, 2021, [online], [site visited Apr. 5, 2024]. Retrieved from Internet, URL:https://www.vevor.com/dog-grooming-tub-c_10952/vevor-pet-dog-grooming-bath-tub-dog-wash-tub-50-h-stainless-steel-shower-salon-p_010405082531 (Year: 2021).*

* cited by examiner

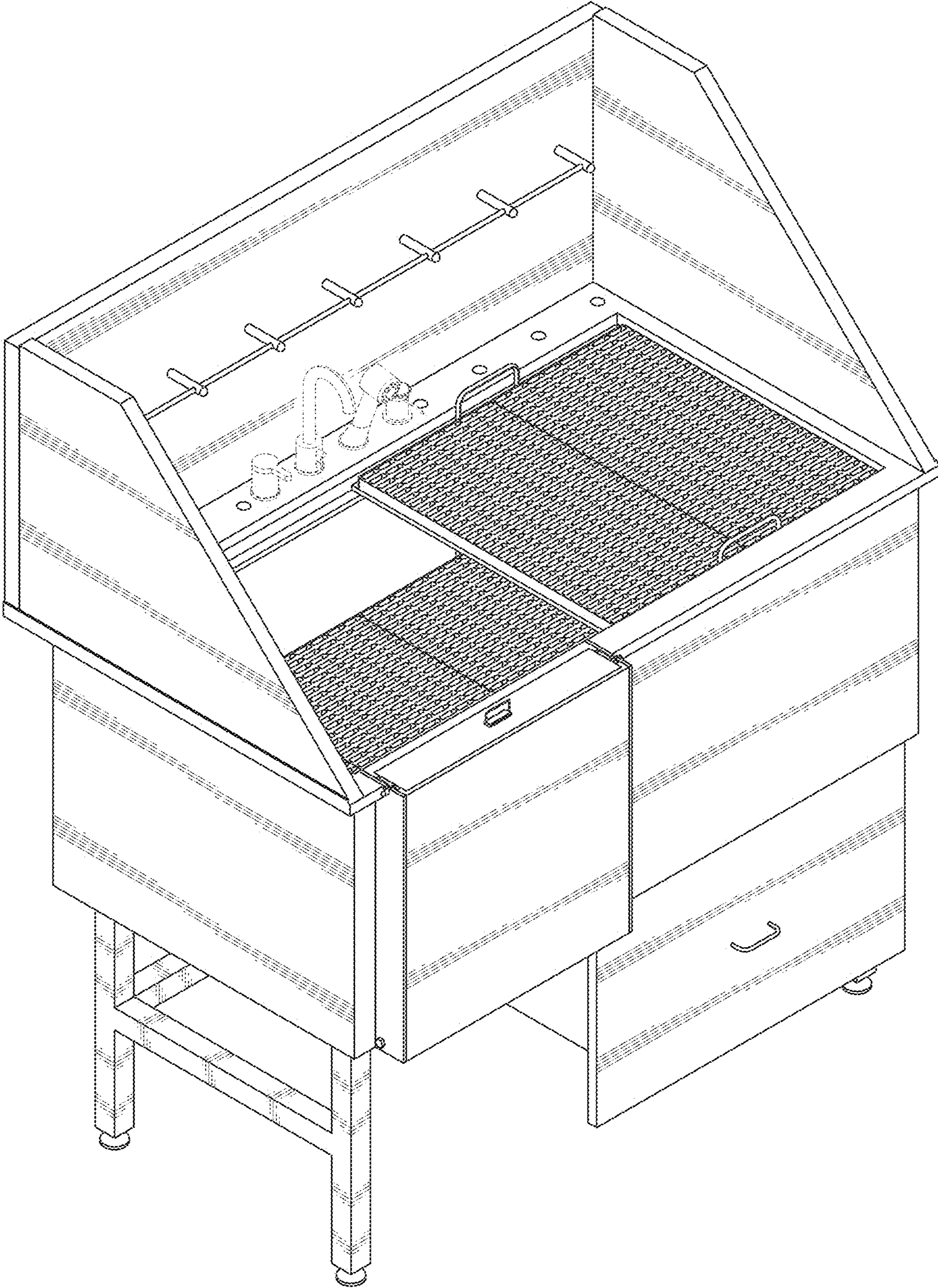


FIG. 1

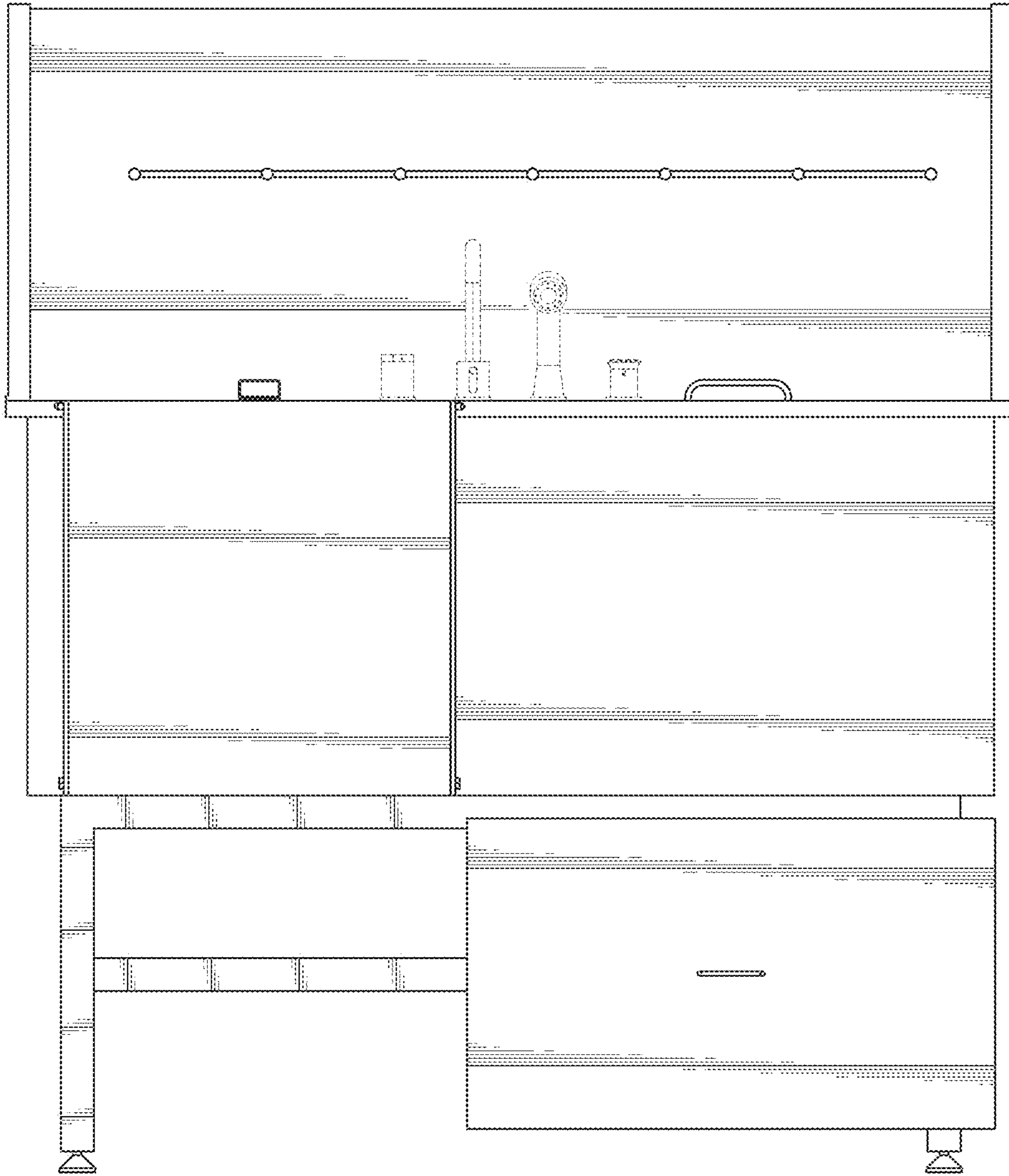


FIG. 2

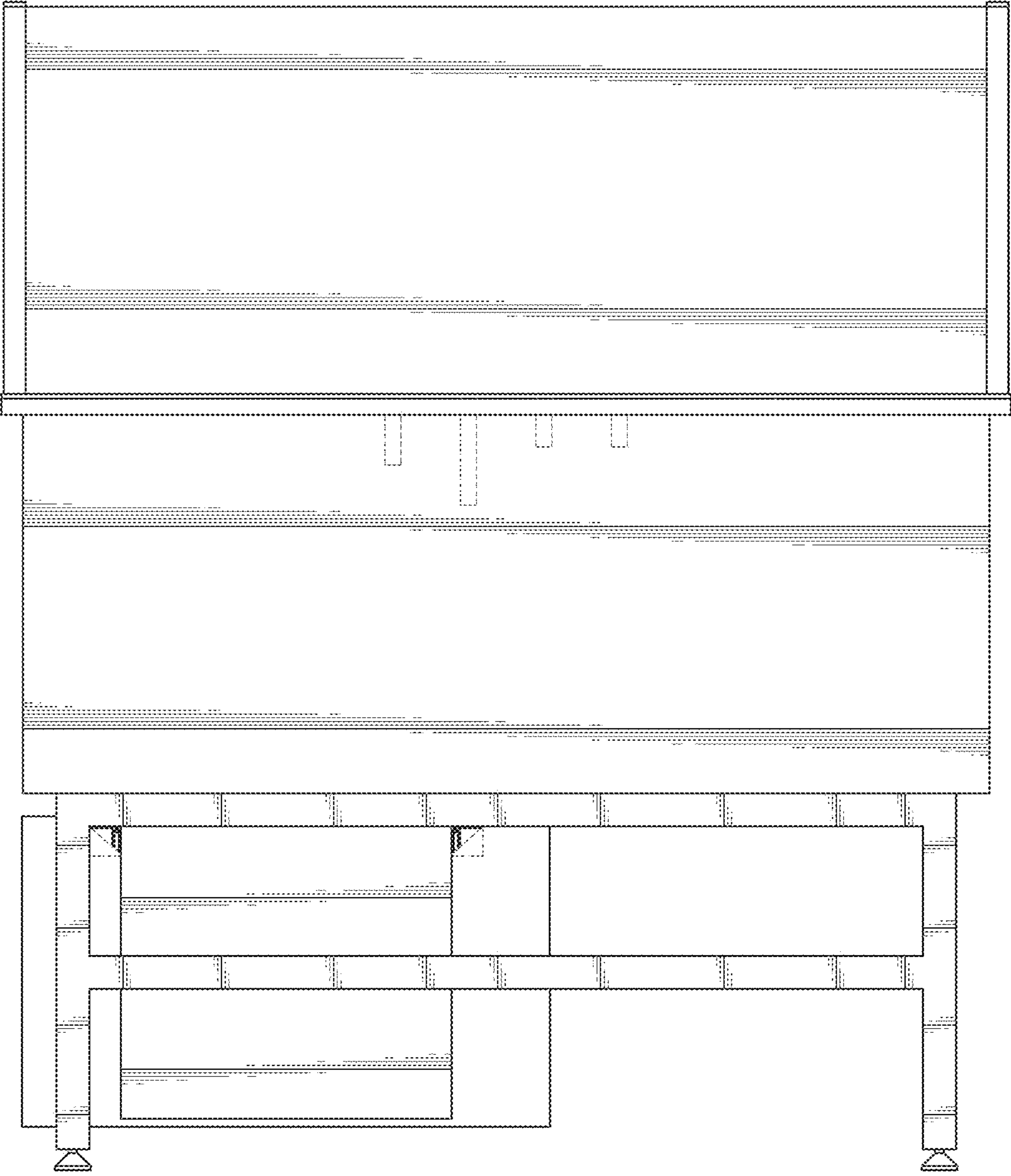


FIG. 3

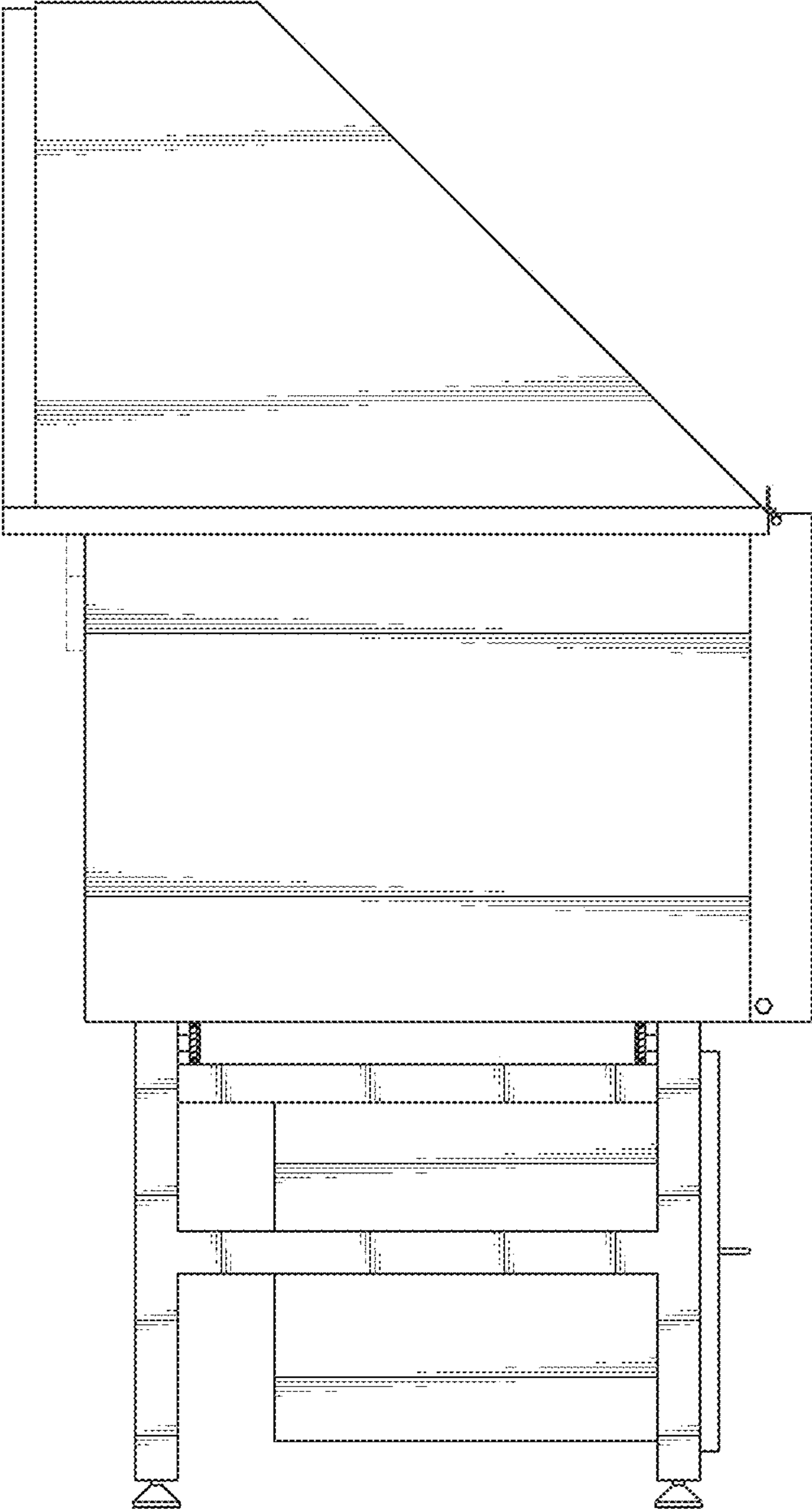


FIG. 4

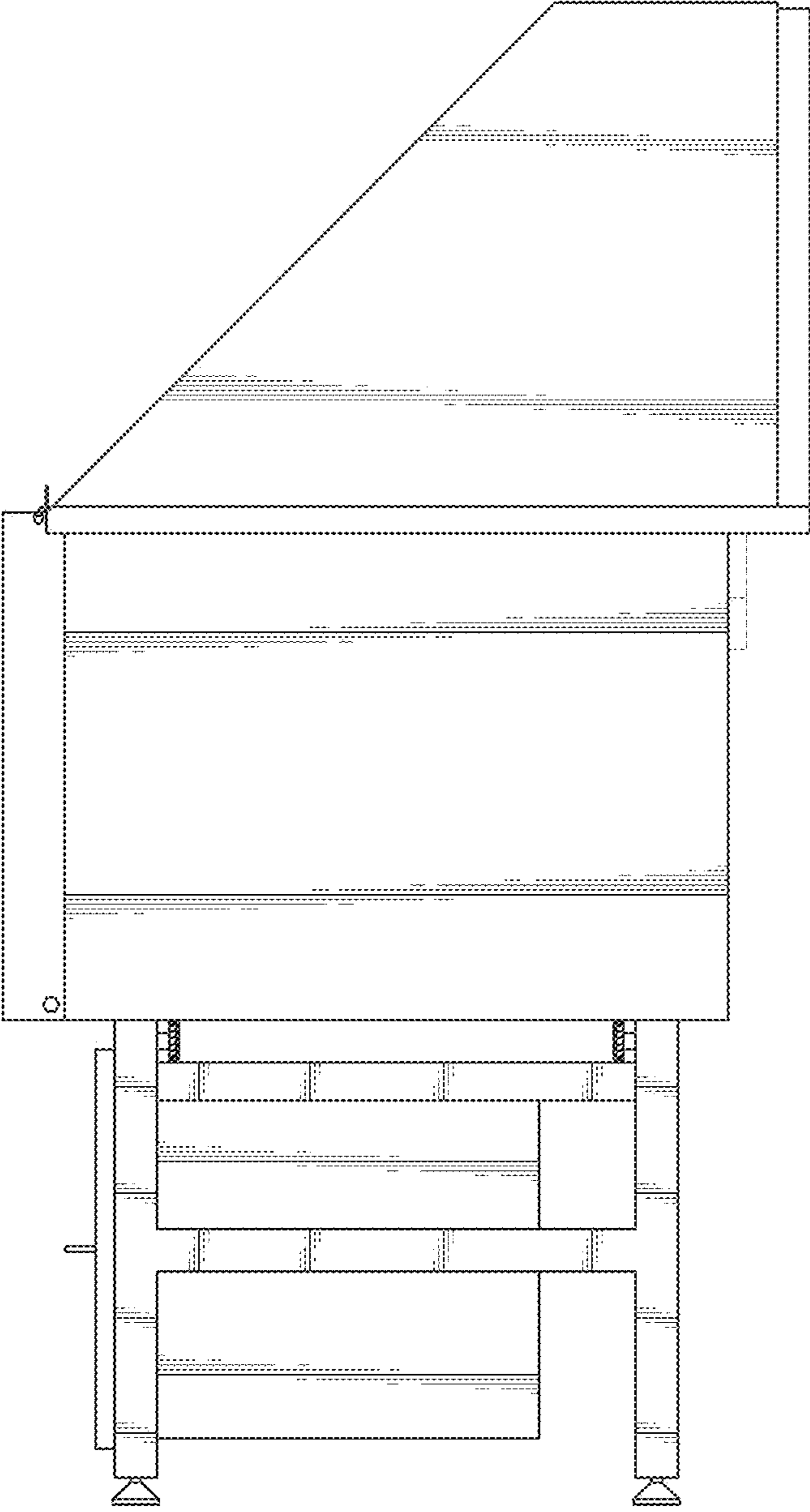


FIG. 5

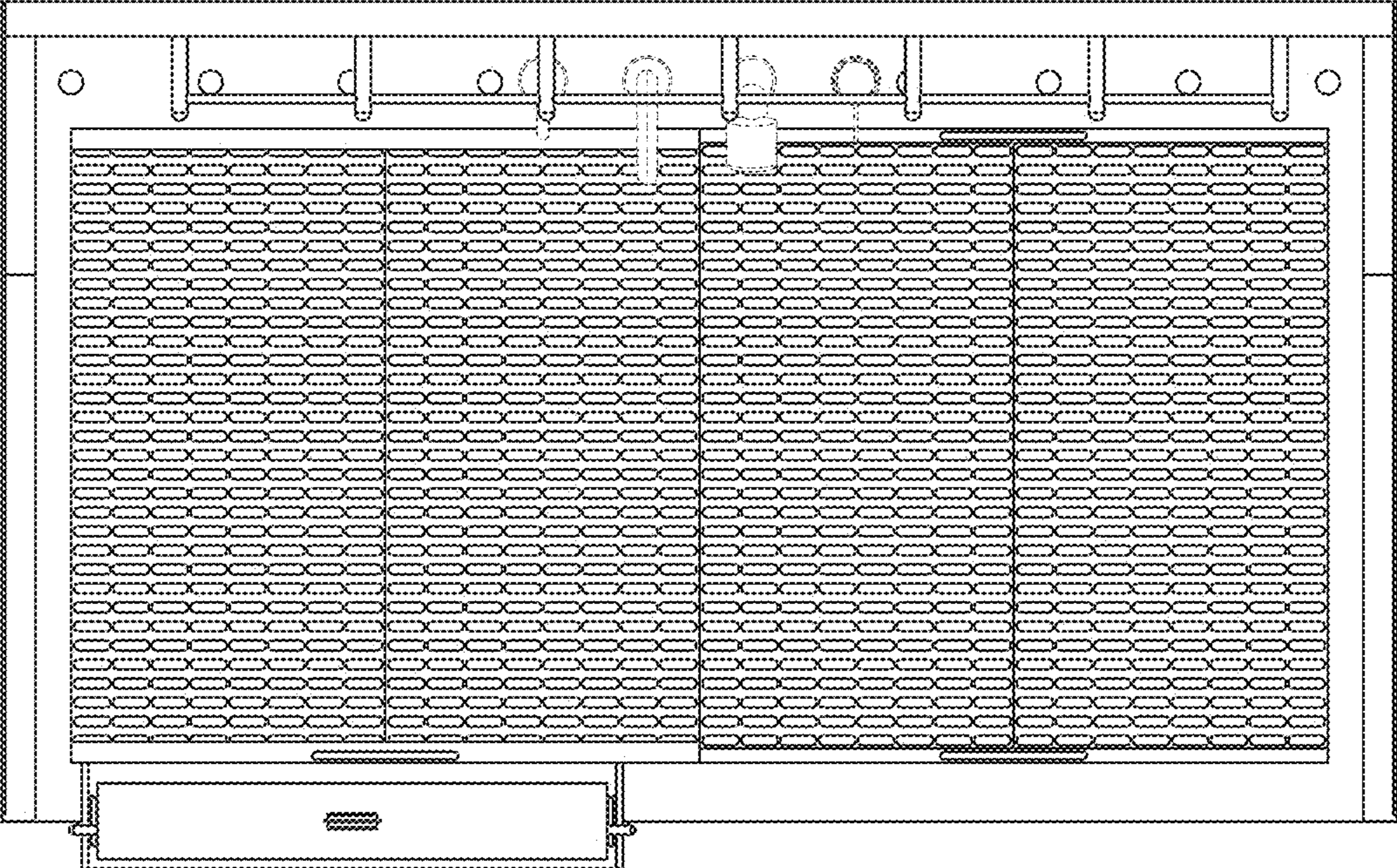


FIG. 6

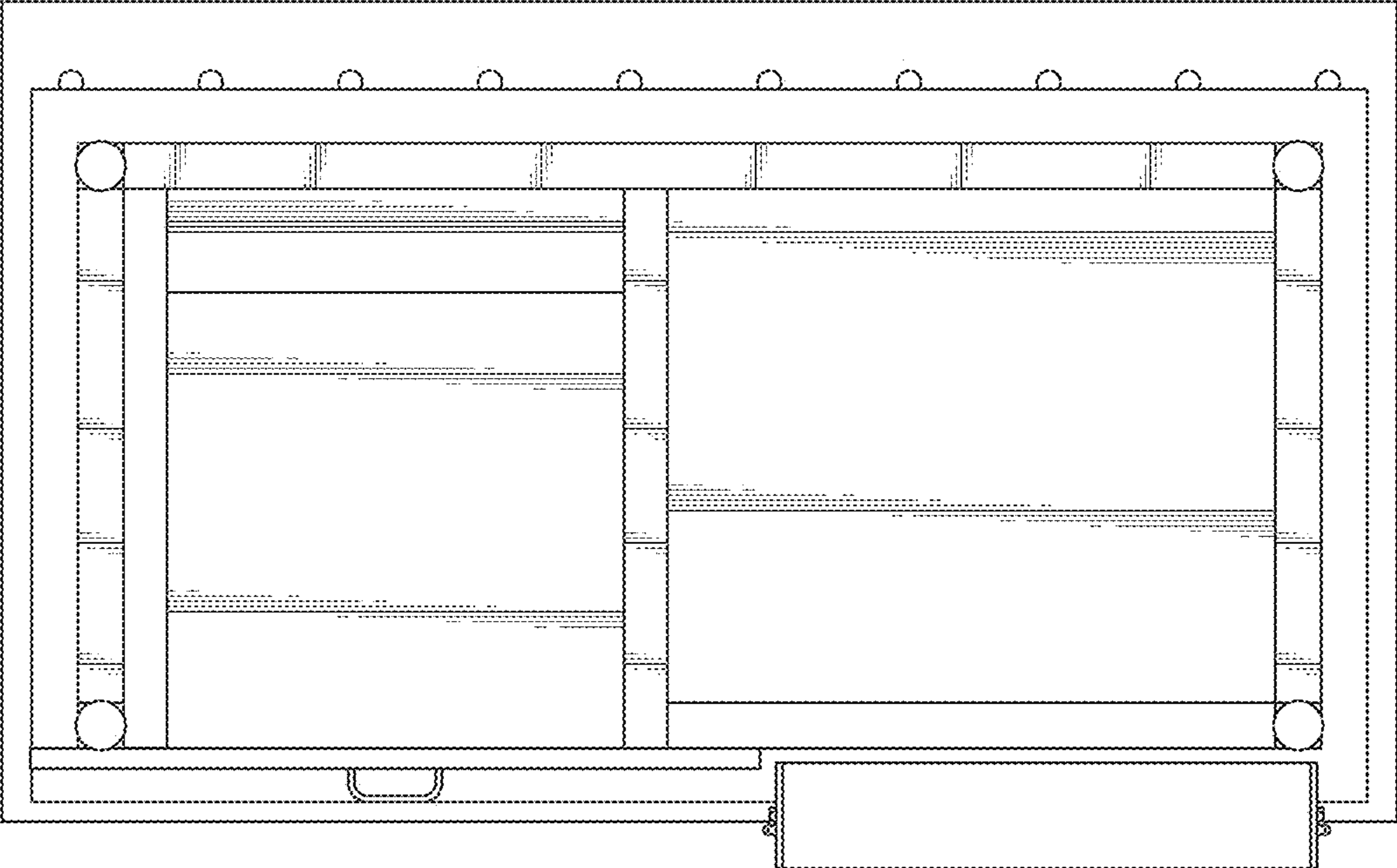


FIG. 7

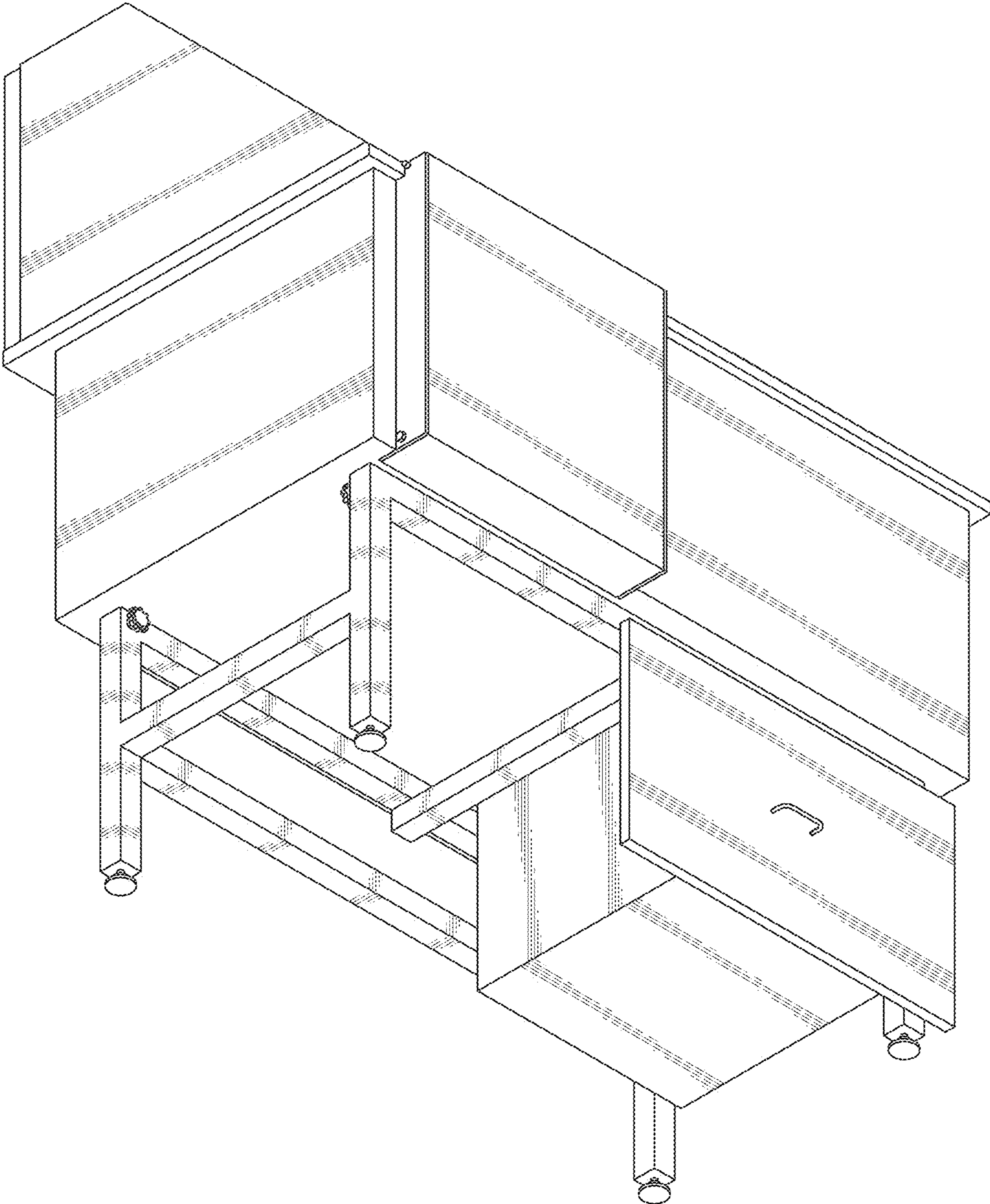


FIG. 8

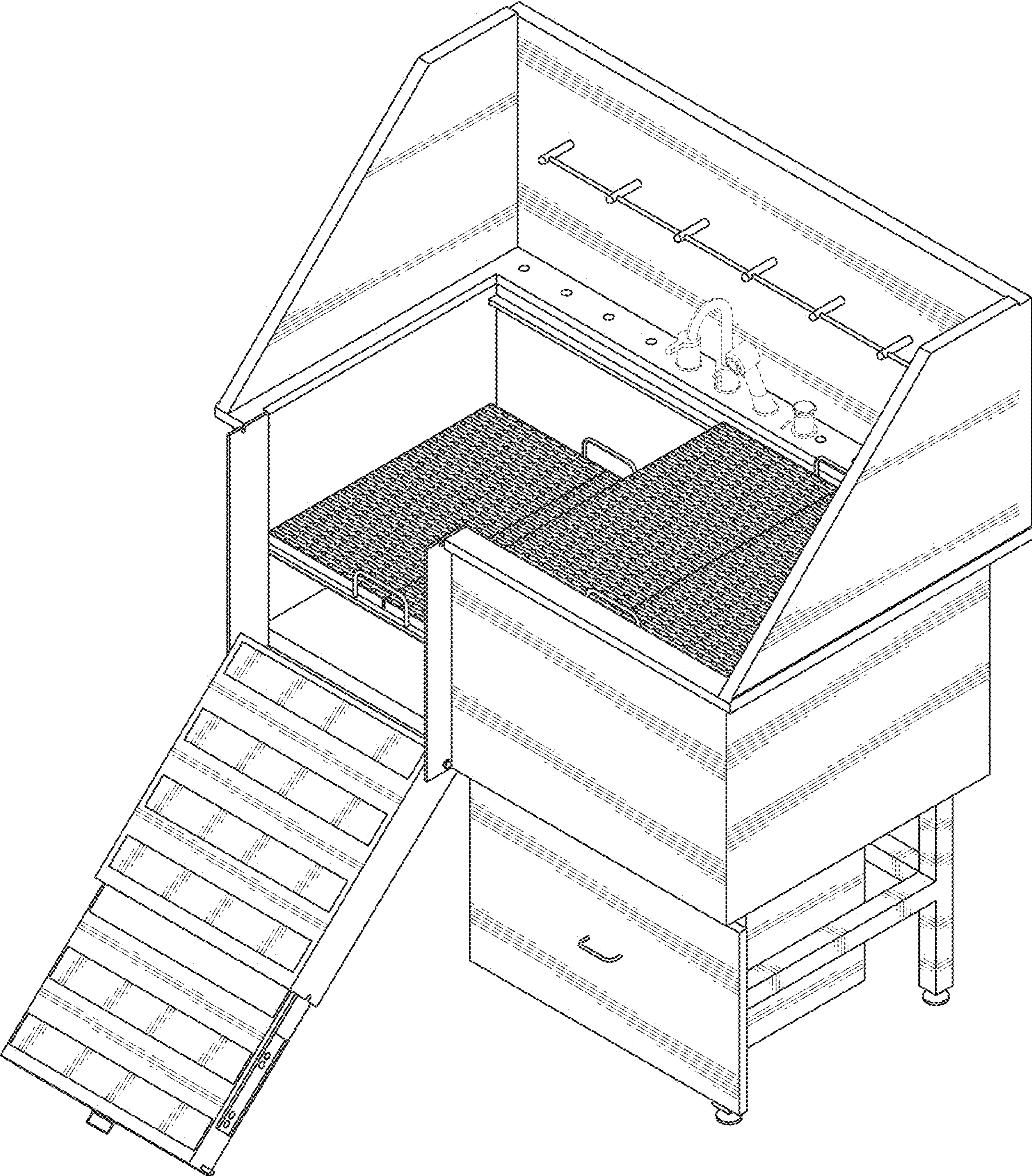


FIG. 9

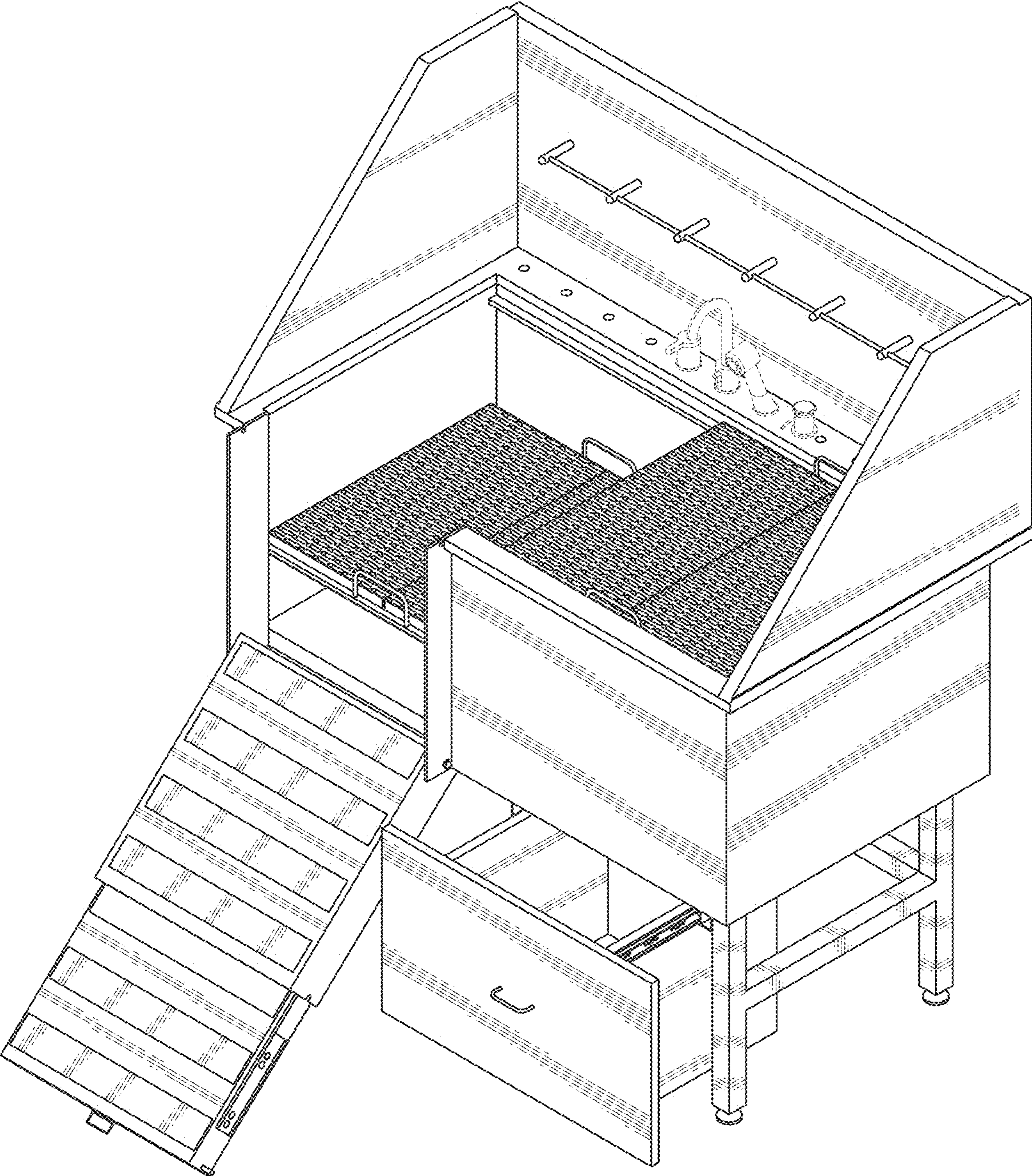


FIG. 10

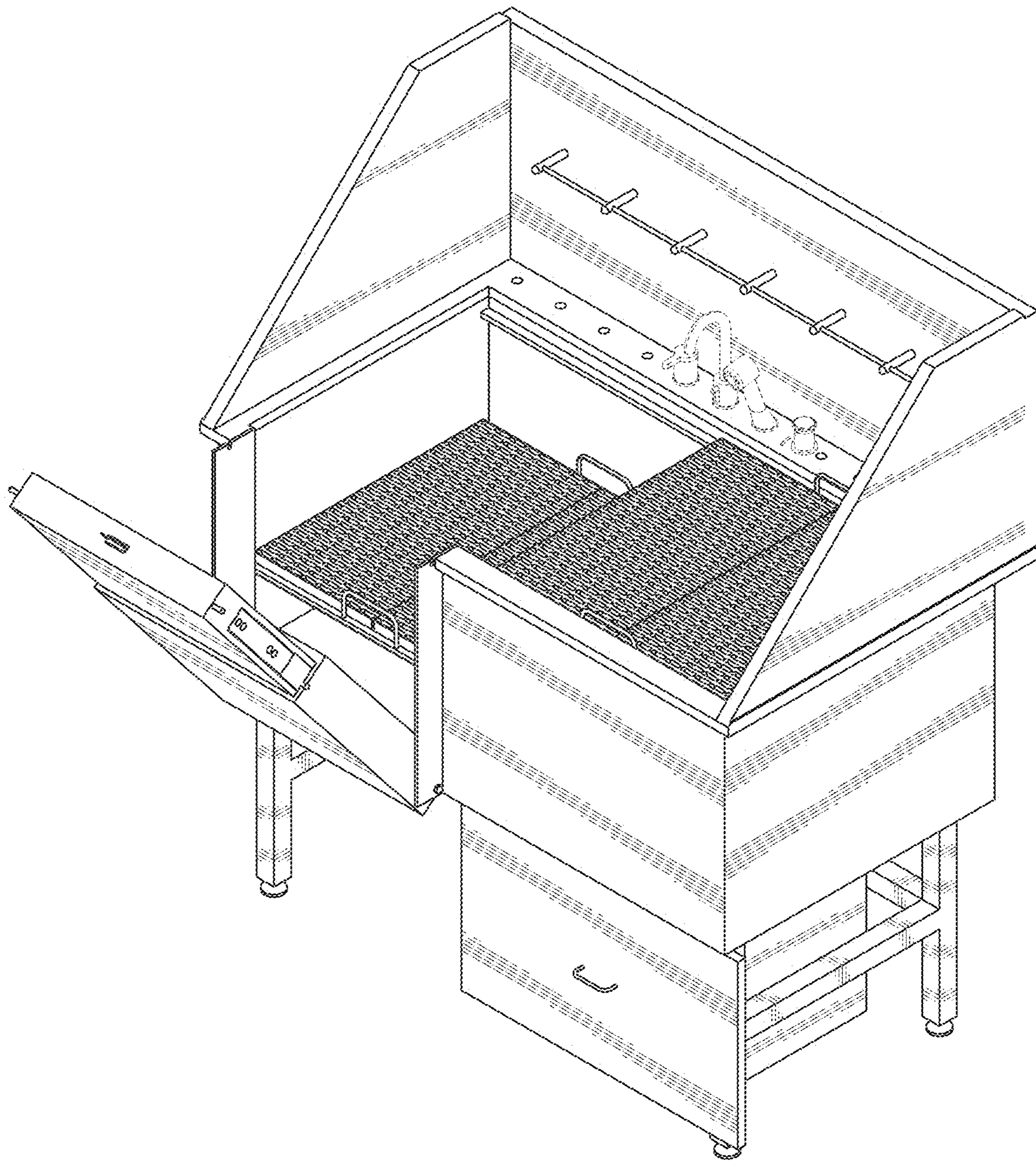


FIG. 11

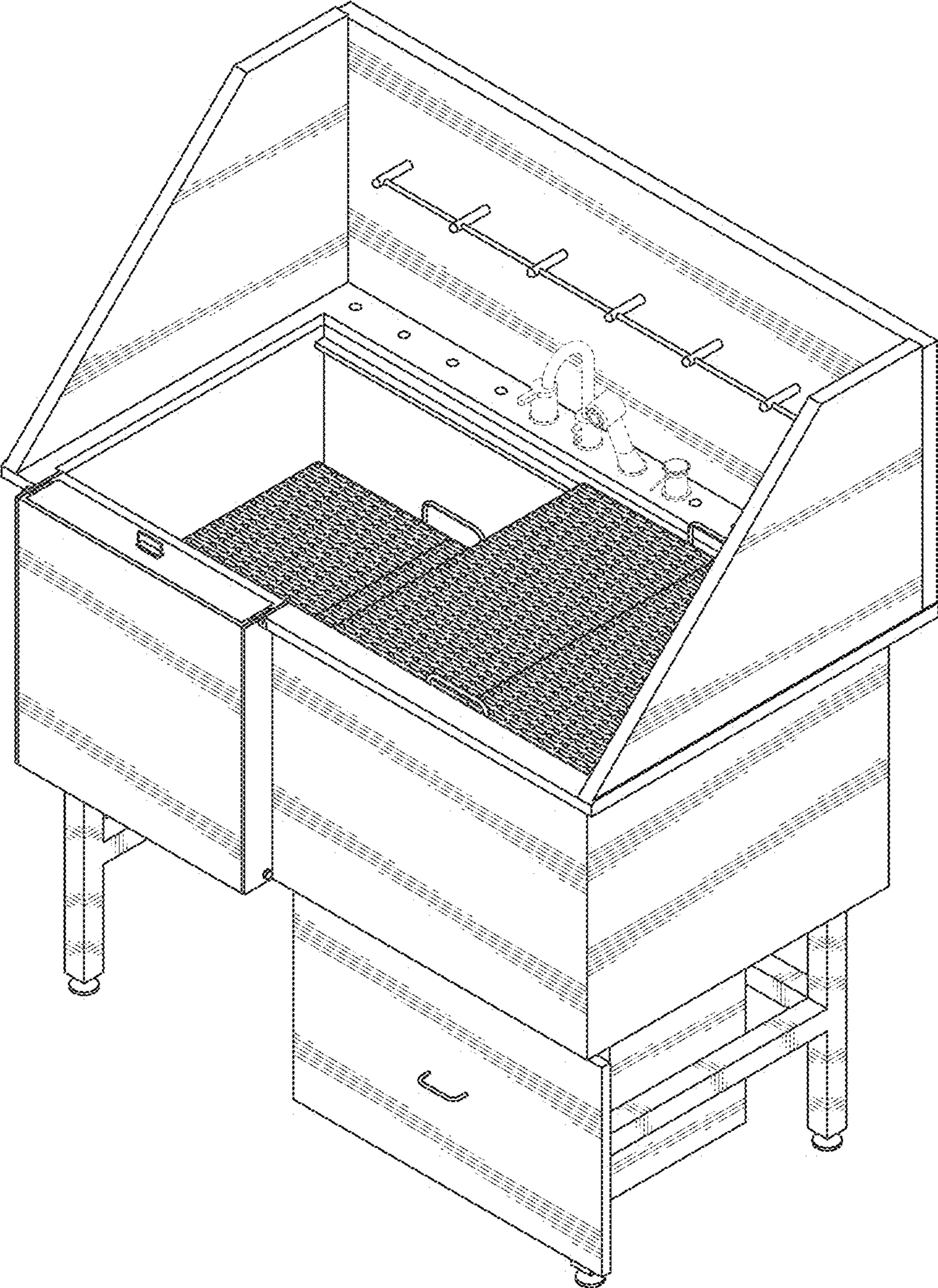


FIG. 12