



US0D1050623S

(12) **United States Design Patent** (10) **Patent No.:** **US D1,050,623 S**
Gong et al. (45) **Date of Patent:** **** Nov. 5, 2024**

(54) **DOG BOWL**

OTHER PUBLICATIONS

(71) Applicant: **Juan Gong**, Shenzhen (CN)

“Veehoo Adjustable Elevated Dog Bowls” available Dec. 7, 2022, [online], [site visited Feb. 23, 2024]. Retrieved from Internet, URL:https://www.veehoo.com/veehoo-adjustable-elevated-dog-bowls-cwj2201.html (Year: 2022).*

(72) Inventors: **Li Gong**, Shenzhen (CN); **Hao Huang**, Shenzhen (CN); **Haipeng Wang**, Shenzhen (CN); **Li Hui**, Shenzhen (CN)

“Scenereal Adjustable Raised Pet Bowls” available Oct. 31, 2019, [online], [site visited Feb. 23, 2024]. Retrieved from Internet, URL:https://www.amazon.com/SCENEREAL-Adjustable-Raised-Pet-Bowls/dp/B07ZV4SCY2?th=1 (Year: 2019).*

(73) Assignee: **Juan Gong**, Shenzhen (CN)

“Elevated Dog Bowls” available Aug. 9, 2021, [online], [site visited Feb. 23, 2024]. Retrieved from Internet, URL:https://www.walmart.com/ip/Elevated-Dog-Bowls-Stainless-Steel-Raised-Bowls-Adjustable-8-Heights-2-75-20-for-Small-Medium-Large-Extra-Large-Sized-Dogs-2-Stainless-Bowls-Food-Wat/1358502771 (Year: 2021).*

(**) Term: **15 Years**

* cited by examiner

(21) Appl. No.: **29/925,553**

(22) Filed: **Jan. 25, 2024**

Primary Examiner — Katrina N Gonzalez

(51) **LOC (14) Cl.** **30-03**

(52) **U.S. Cl.**

USPC **D30/129**; D30/130; D30/131; D30/133

(58) **Field of Classification Search**

USPC D30/121, 129, 130, 131, 133

CPC A01K 5/00; A01K 5/0114; A01K 5/0121;

A01K 5/0135; A01K 7/005; A01K 7/00;

A01K 39/02; A01K 39/04; A01K 39/0213

See application file for complete search history.

(57) **CLAIM**

The ornamental design for a dog bowl as shown and described.

DESCRIPTION

FIG. 1 is a front, top and right side perspective view of a dog bowl, showing our new design;

FIG. 2 is a front view thereof;

FIG. 3 is a rear view thereof;

FIG. 4 is a left side view thereof;

FIG. 5 is a right side view thereof;

FIG. 6 is a top view thereof;

FIG. 7 is a bottom view thereof; and,

FIG. 8 is an enlarged detail view of area 8 in FIG. 1.

The dashed broken lines illustrate portions of the dog bowl.

FIGS. 1 and 8 show dash-dot broken lines that represent the boundaries and indicator of the enlarged views. The broken

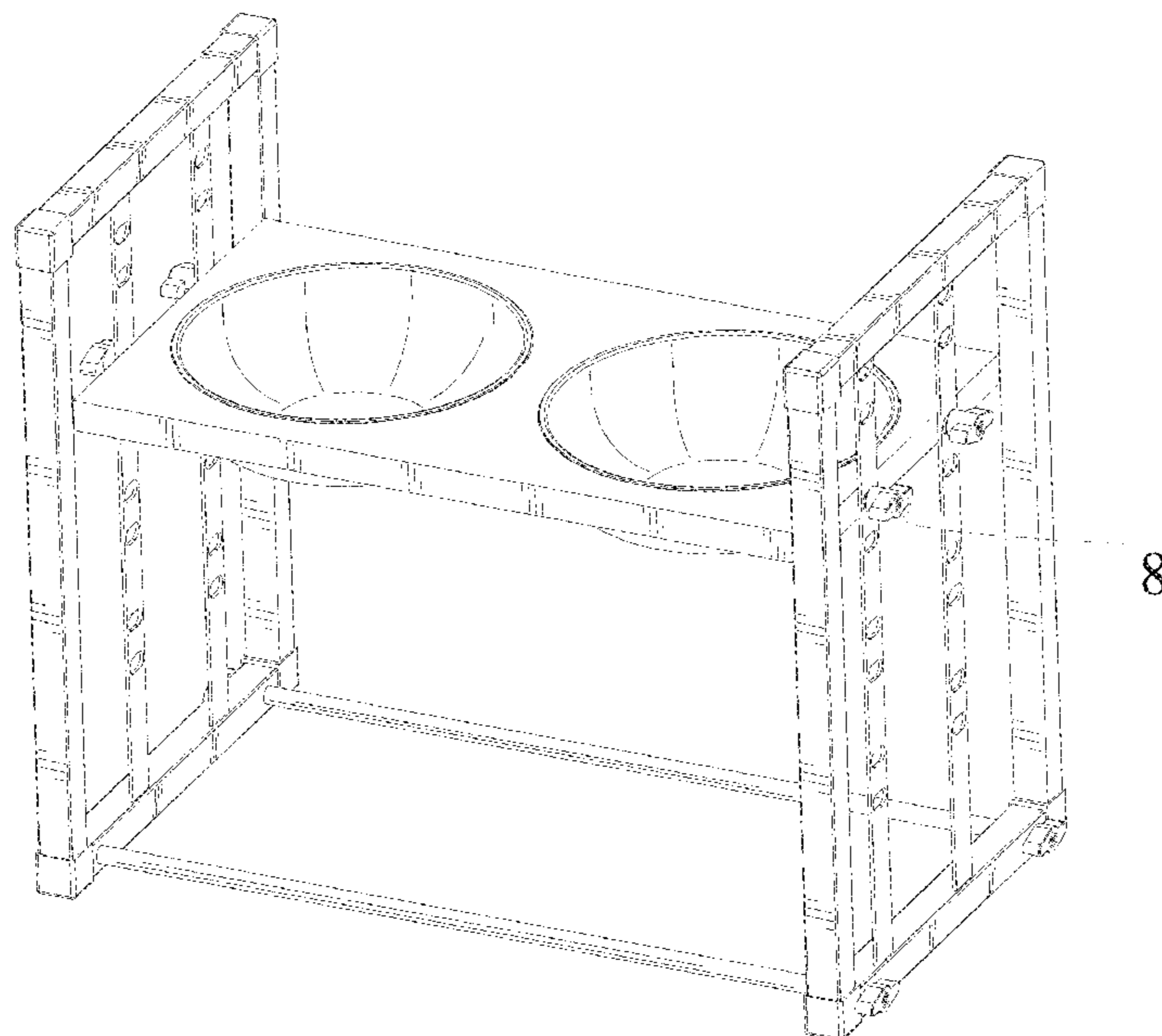
lines form no part of the claimed design.

(56) **References Cited**

U.S. PATENT DOCUMENTS

4,617,874	A	*	10/1986	Zammarano	A01K 5/0291
						119/51.12
D339,429	S	*	9/1993	Reid	D7/553.6
D676,203	S	*	2/2013	Hansen	D30/121
D676,619	S	*	2/2013	Hansen	D30/121
D681,886	S	*	5/2013	Paschall	D30/129
D755,446	S	*	5/2016	Hansen	D30/121
D897,050	S	*	9/2020	Wang	D30/121
D938,659	S	*	12/2021	Ye	D30/121
D993,547	S		7/2023	Li		
D1,004,861	S	*	11/2023	Zhong	D30/160

1 Claim, 8 Drawing Sheets



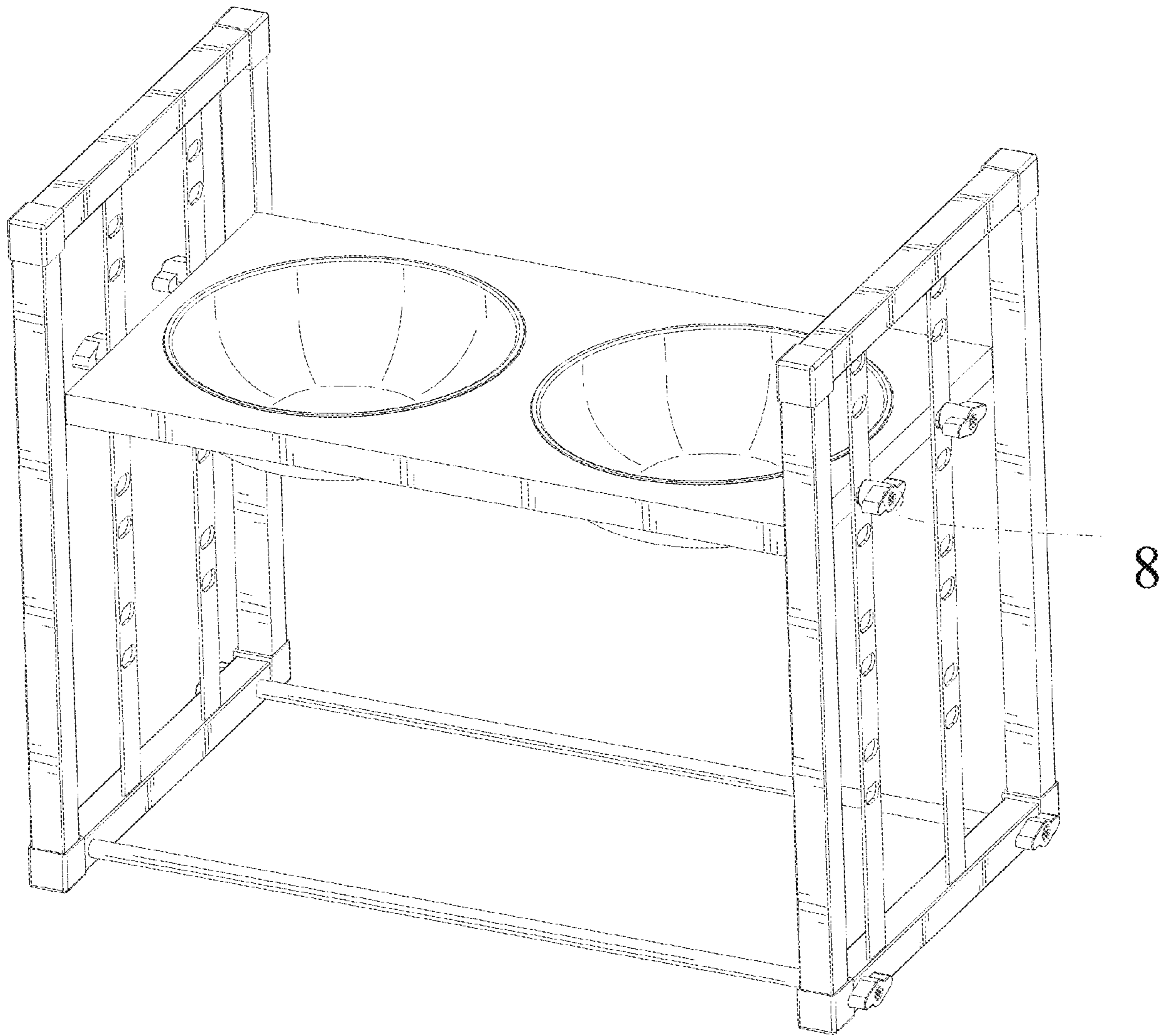


FIG. 1

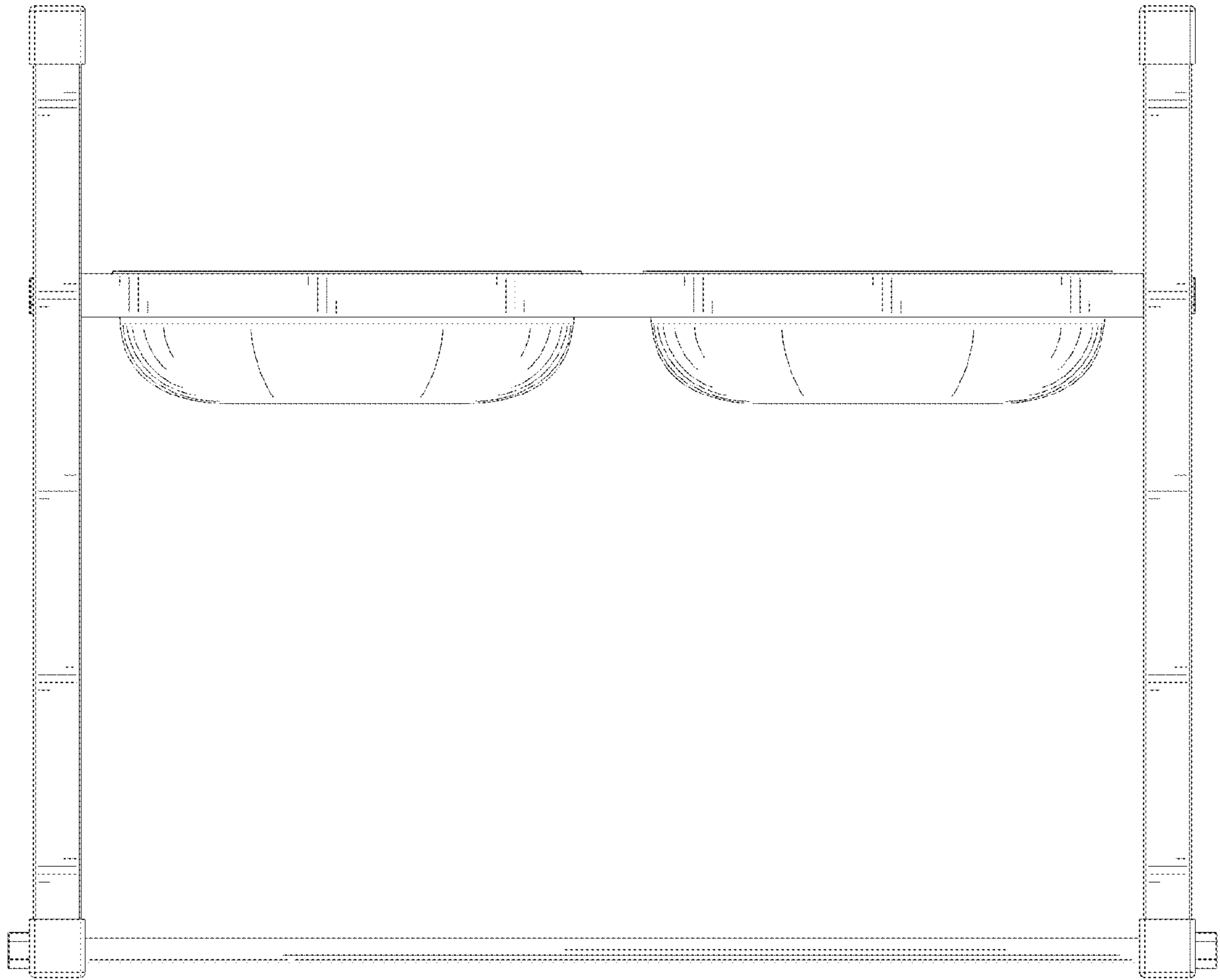


FIG. 2

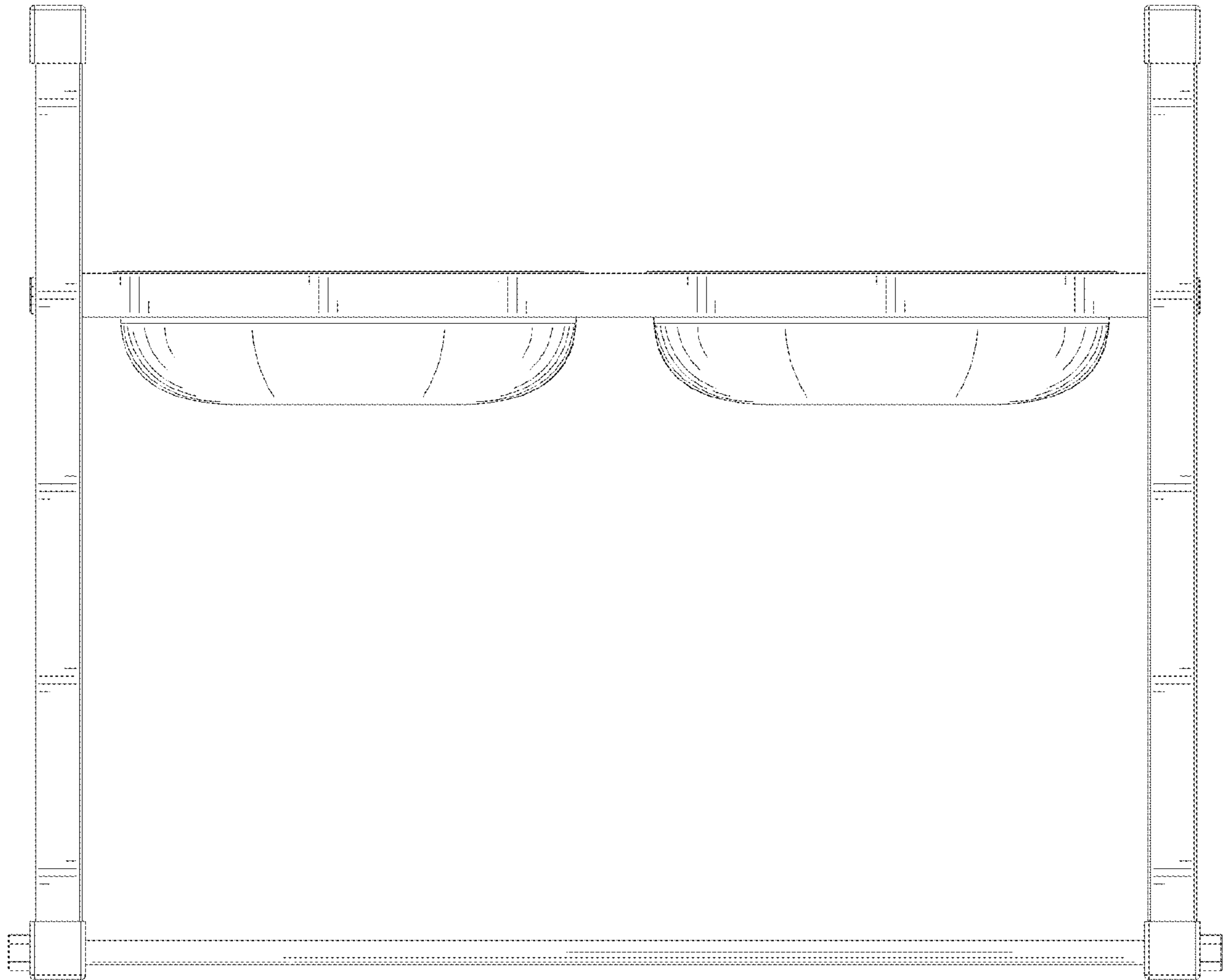


FIG. 3

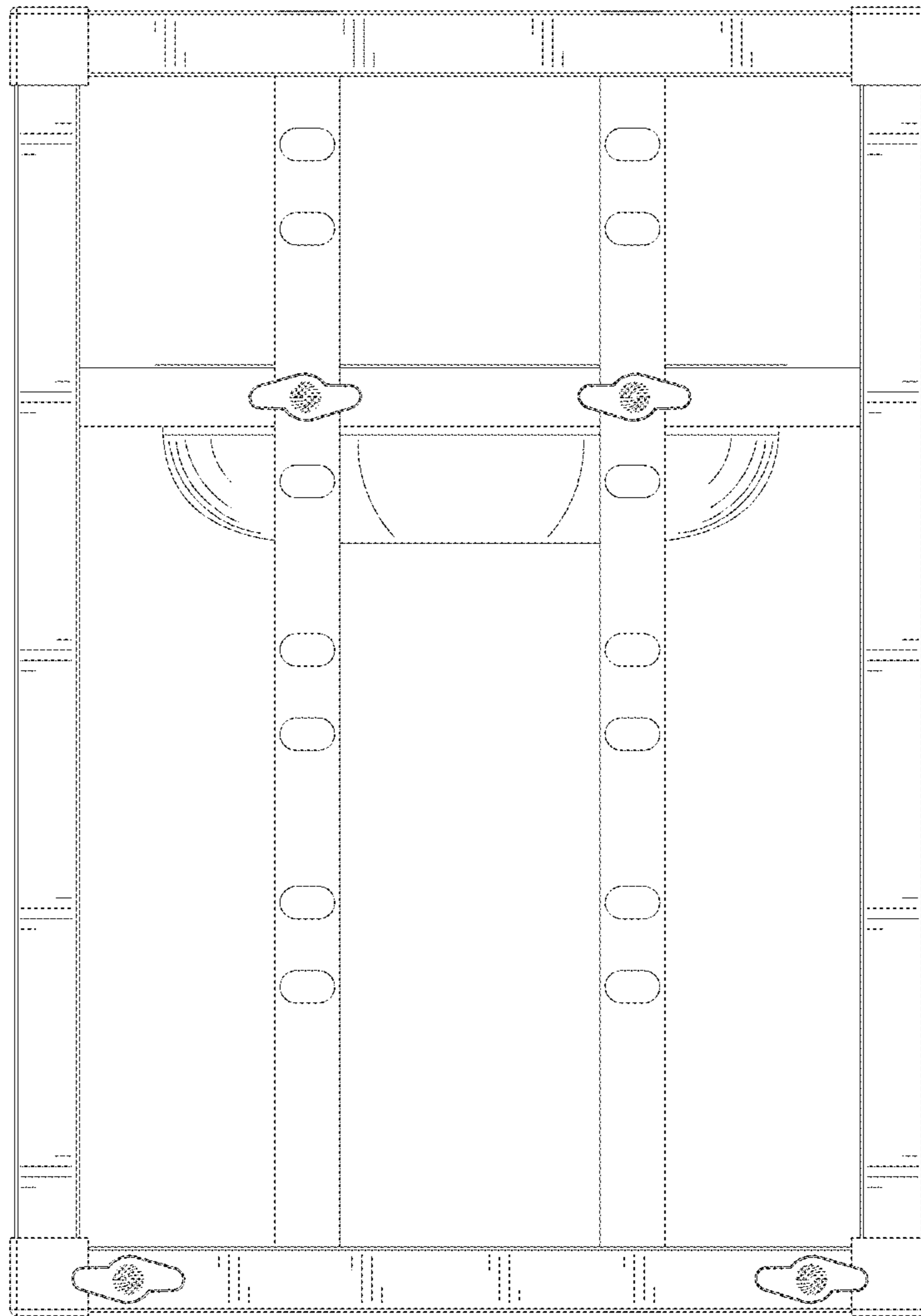


FIG. 4

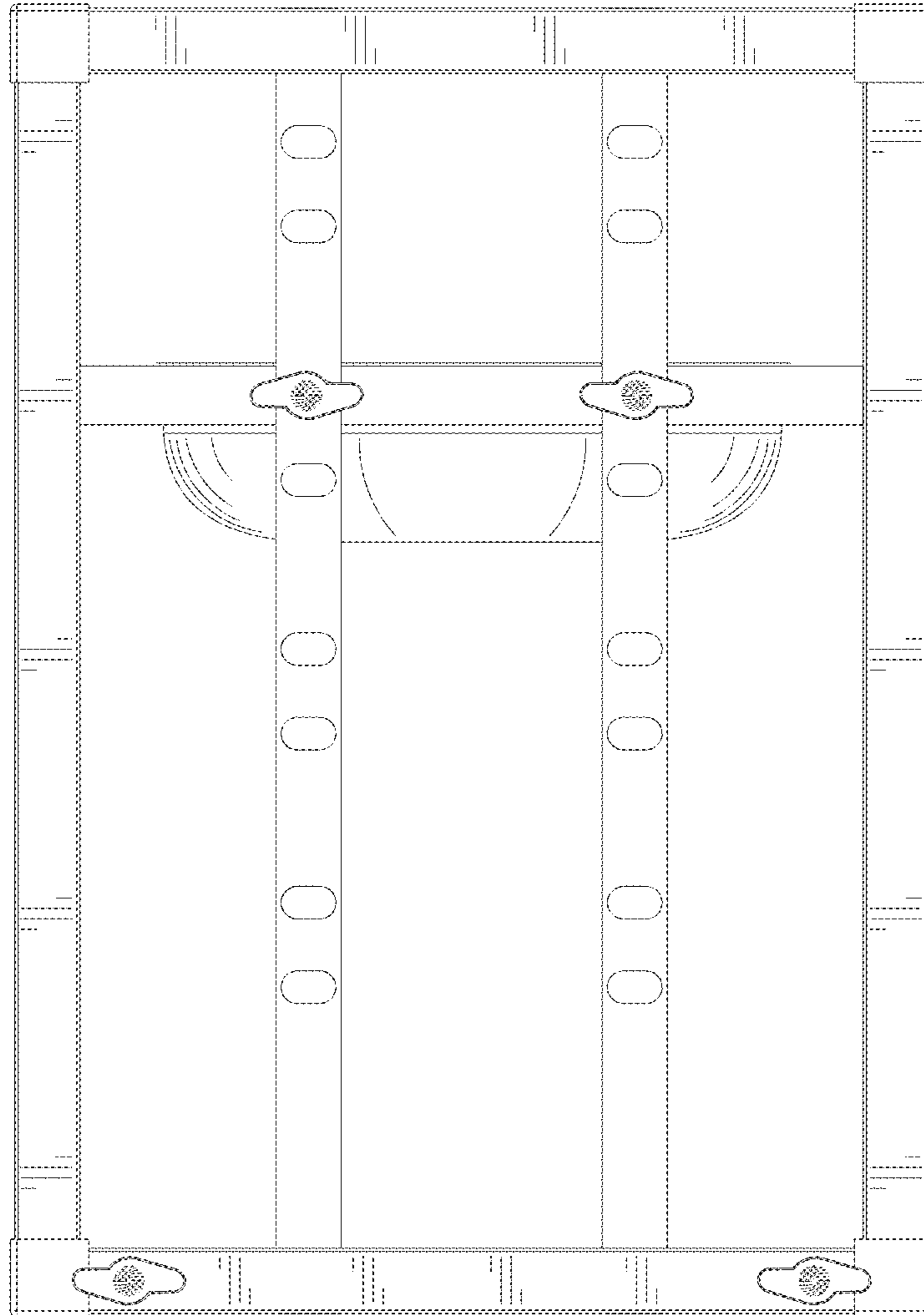


FIG. 5

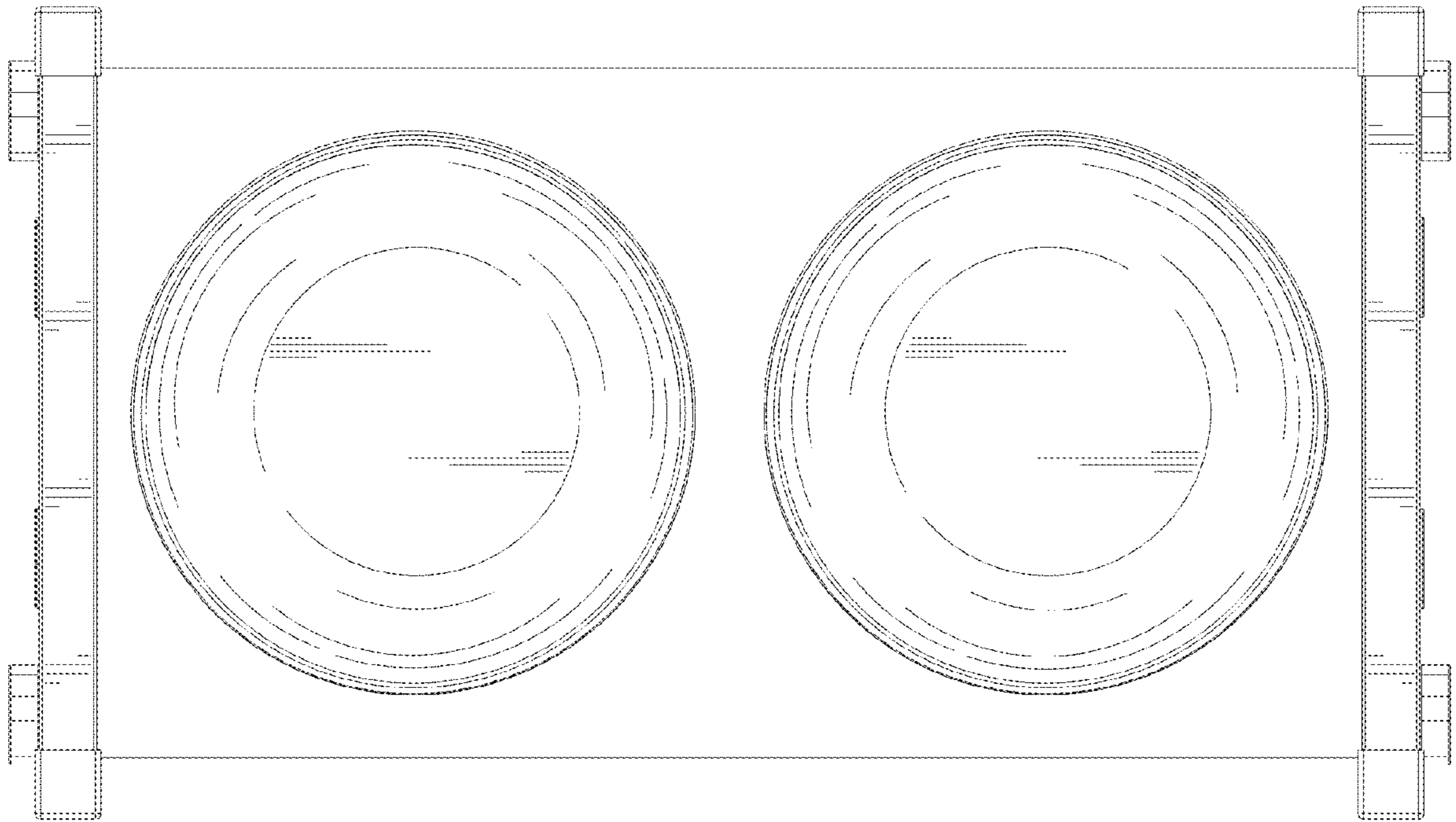


FIG. 6

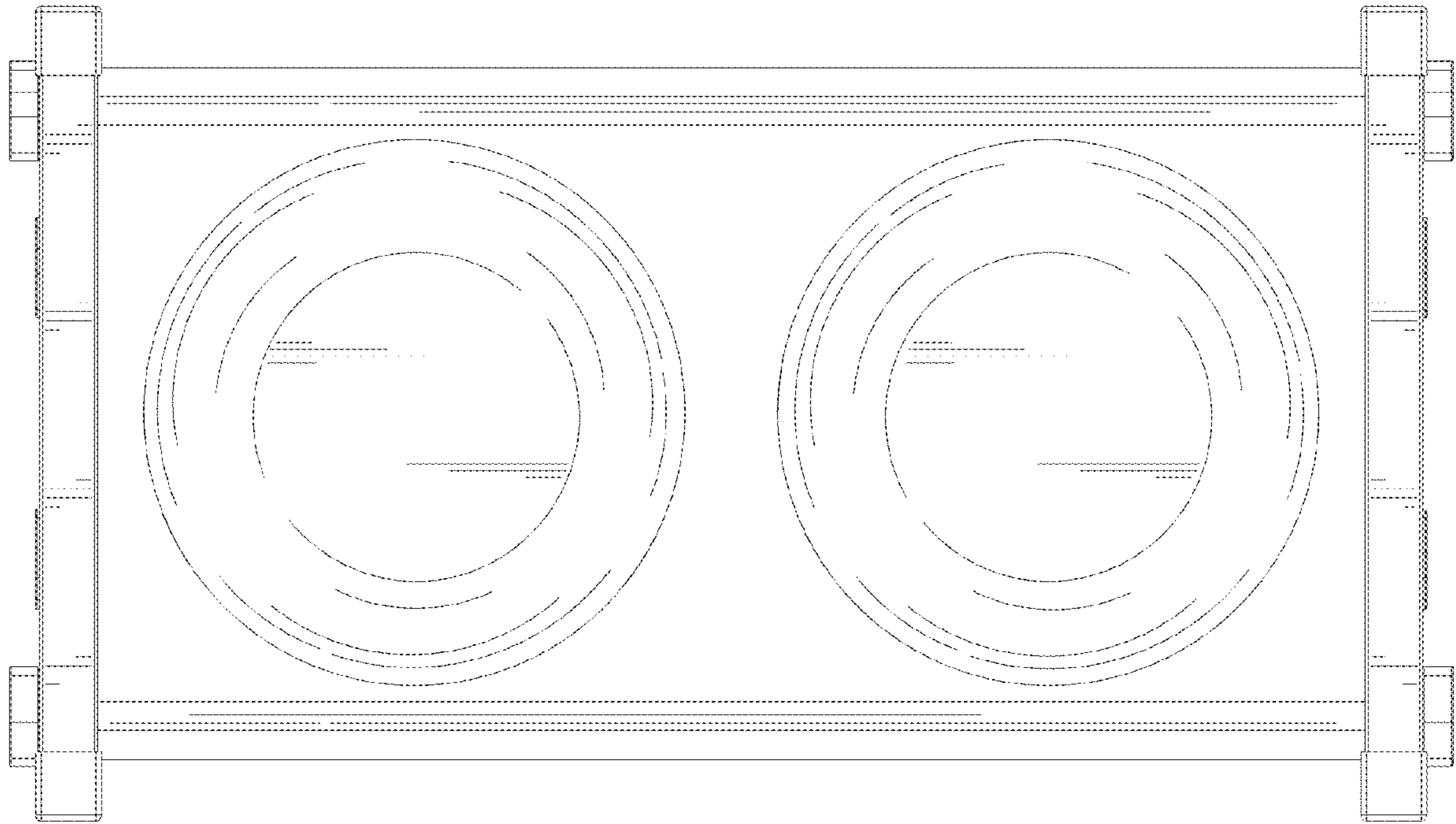


FIG. 7

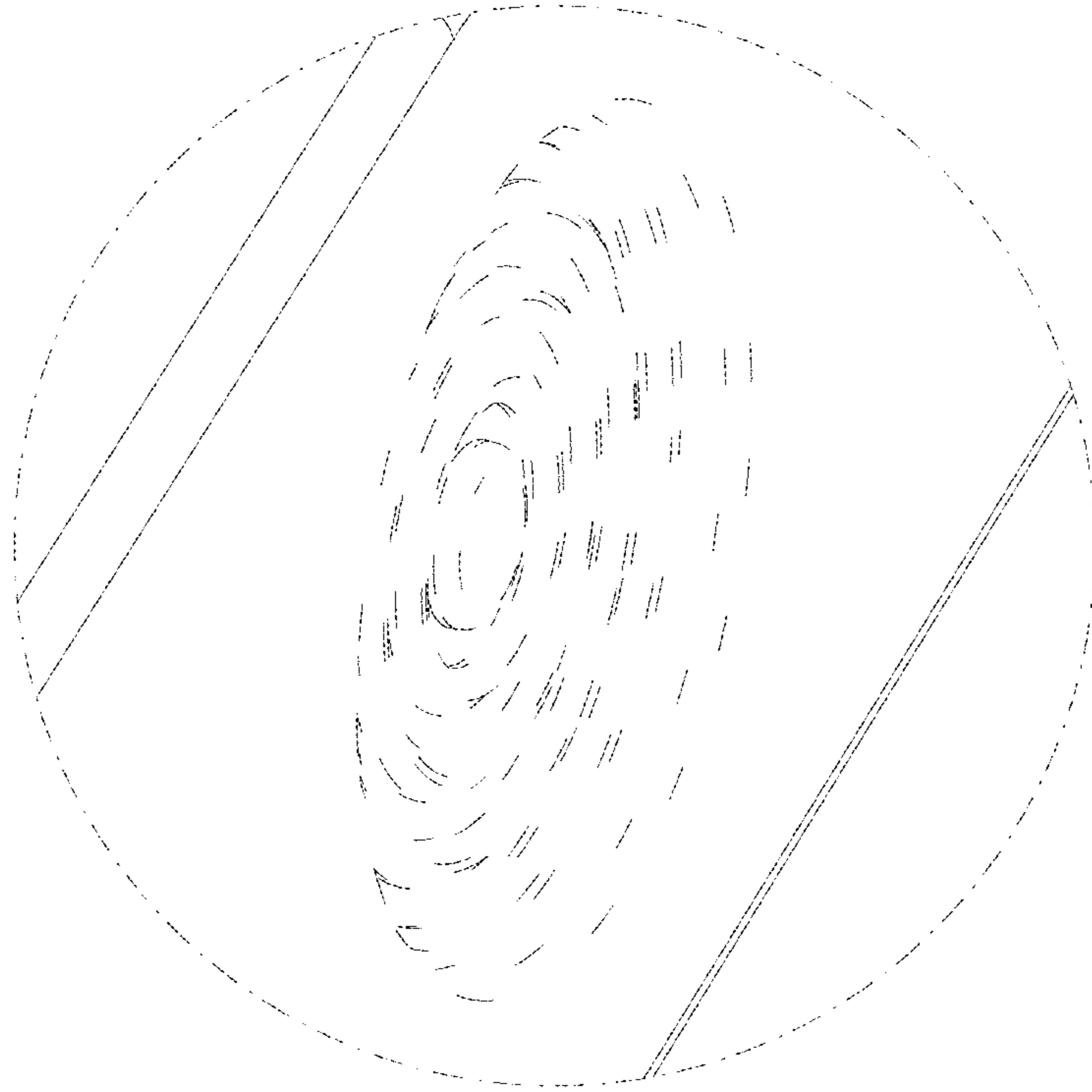


FIG. 8