



US0D1050593S

(12) **United States Design Patent** (10) **Patent No.:** **US D1,050,593 S**
Zhang (45) **Date of Patent:** **** Nov. 5, 2024**

- (54) **HOT AIR COMB**
- (71) Applicant: **Lin Zhang**, Dongguan (CN)
- (72) Inventor: **Lin Zhang**, Dongguan (CN)
- (**) Term: **15 Years**
- (21) Appl. No.: **29/952,847**
- (22) Filed: **Jul. 18, 2024**
- (51) **LOC (14) Cl.** **28-03**
- (52) **U.S. Cl.**
USPC **D28/35; D4/134**
- (58) **Field of Classification Search**
USPC D28/9-11, 35, 37, 38; D4/100, 128, 130,
D4/133, 134
CPC A45D 2/00; A45D 2/001; A45D 2/002;
A45D 6/00; A45D 7/00; A45D 20/48;
A45D 20/50; A45D 20/52; A45D
2001/004
See application file for complete search history.

(56) **References Cited**

U.S. PATENT DOCUMENTS

D804,188 S *	12/2017	Du	D28/35
D815,837 S *	4/2018	Zhou	D4/100
D821,648 S *	6/2018	Qiu	D28/25
D865,285 S	10/2019	Liao		
D889,129 S *	7/2020	Janowick	D28/35
D889,130 S	7/2020	Yuan		
D895,972 S *	9/2020	Janowick	D28/35
D899,782 S *	10/2020	Yang	D4/134

(Continued)

FOREIGN PATENT DOCUMENTS

KR 301269336.0000 * 7/2024

OTHER PUBLICATIONS

Shark HT202 SmoothStyle Heated Dryer [online], [site visited Aug. 29, 2024]. Available from internet, URL: <<https://www.amazon.com/Shark-HT202-SmoothStyle-Heated-Dryer/dp/B0CJG2Y4MW/?th=1>> (Year: 2024).*

com/Shark-HT202-SmoothStyle-Heated-Dryer/dp/B0CJG2Y4MW/?th=1> (Year: 2024).*

(Continued)

Primary Examiner — Cynthia Ramirez

Assistant Examiner — Xavier Marti-Santos

(74) *Attorney, Agent, or Firm* — Jose Cherson Weissbrot

(57) **CLAIM**

The ornamental design for a hot air comb, as shown and described.

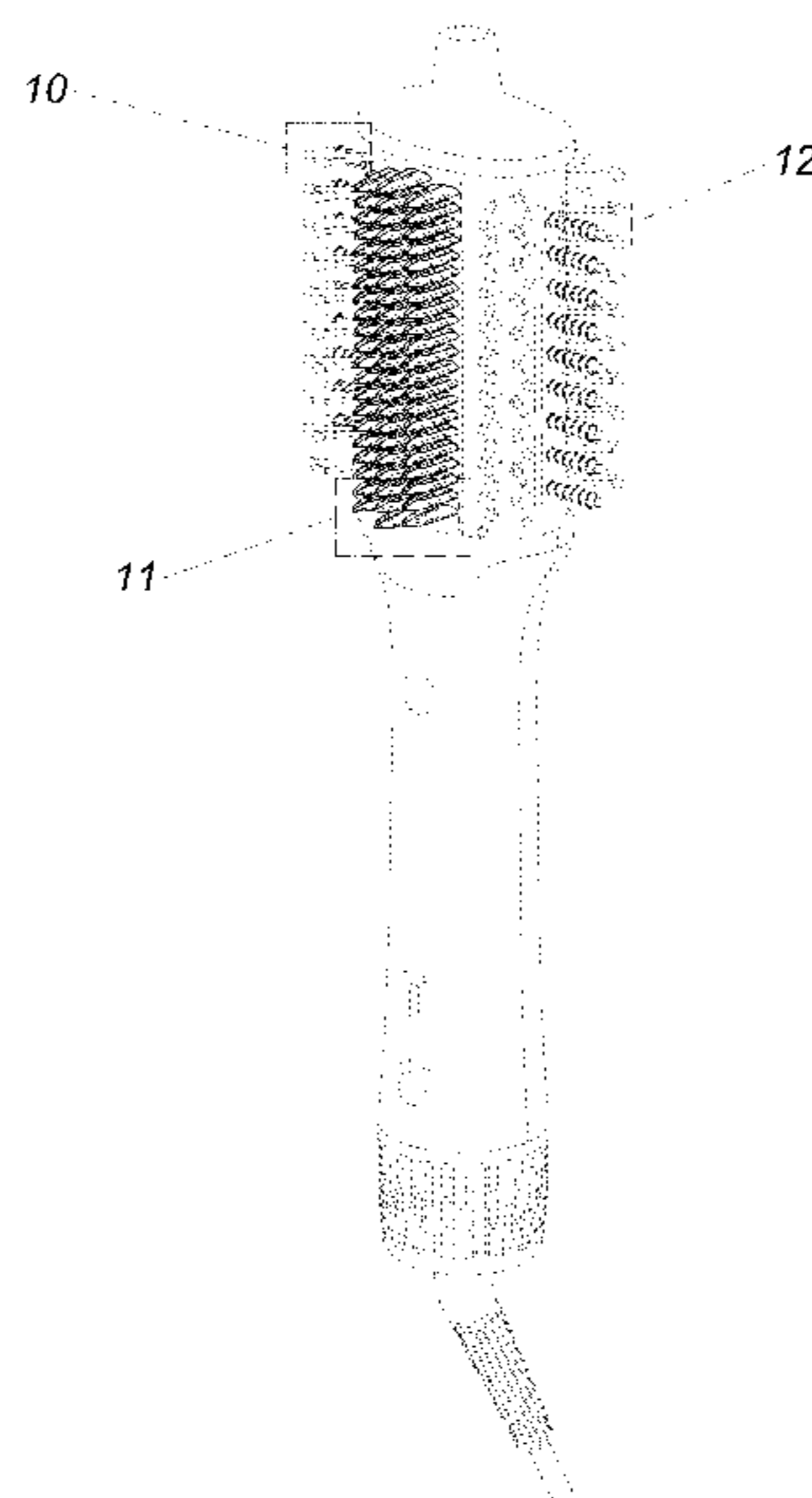
DESCRIPTION

FIG. 1 is a front, right, top perspective view of a hot air comb, showing my new design;
 FIG. 2 is a rear, left, bottom perspective view thereof;
 FIG. 3 is a front, left, bottom perspective view thereof;
 FIG. 4 is a front elevational view thereof;
 FIG. 5 is a rear elevational view thereof;
 FIG. 6 is a left side view thereof;
 FIG. 7 is a right side view thereof;
 FIG. 8 is an enlarged top plan view thereof;
 FIG. 9 is an enlarged bottom plan view thereof;
 FIG. 10 is an enlarged view of detail 10 in FIG. 1;
 FIG. 11 is an enlarged view of detail 11 in FIG. 1;
 FIG. 12 is an enlarged view of detail 12 in FIG. 1;
 FIG. 13 is an enlarged view of detail 13 in FIG. 2;
 FIG. 14 is an enlarged view of detail 14 in FIG. 2;
 FIG. 15 is an enlarged view of detail 15 in FIG. 2;
 FIG. 16 is an enlarged view of detail 16 in FIG. 3;
 FIG. 17 is an enlarged view of detail 17 in FIG. 3;
 FIG. 18 is an enlarged view of detail 18 in FIG. 4;
 FIG. 19 is an enlarged view of detail 19 in FIG. 4;
 FIG. 20 is an enlarged view of detail 20 in FIG. 6; and,
 FIG. 21 is an enlarged view of detail 21 in FIG. 6.

The dashed broken lines in the figures are for the purposes of illustrating portions of the hot air comb and form no part of the claimed design.

The dash-dot-dash broken lines are for notating enlarged views and form no part of the claimed design.

1 Claim, 16 Drawing Sheets



(56)

References Cited

U.S. PATENT DOCUMENTS

D930,363	S	9/2021	Xu	
D934,501	S	10/2021	Huang	
D940,463	S	1/2022	Zhu	
D941,029	S	1/2022	Zhang	
D952,941	S *	5/2022	Lam	D28/35
D954,445	S *	6/2022	Zhao	D4/128
D955,637	S	6/2022	Sommer	
D957,055	S	7/2022	Zheng	
D961,156	S	8/2022	Lai	
D973,956	S *	12/2022	Du	D28/35
D975,918	S	1/2023	Yuan	
D979,840	S *	2/2023	Zhang	D28/35
D980,524	S *	3/2023	Lai	D28/35
D983,453	S *	4/2023	Santos	D28/35
D1,008,550	S *	12/2023	Liao	D28/35

OTHER PUBLICATIONS

Volumizer Straightening Volumizing Negative Straightener [online], [site visited Aug. 29, 2024]. Available from internet, URL: <<https://www.amazon.com/Volumizer-Straightening-Volumizing-Negative-Straightener/dp/B0D5MF73VY/>> (Year: 2024).*

TYMO Portable Hair Straightener Brush [online], [site visited Aug. 29, 2024]. Available from internet, URL: <<https://www.amazon.com/TYMO-Portable-Hair-Straightener-Brush/dp/B0CMTJYQW9/>> (Year: 2023).*

* cited by examiner

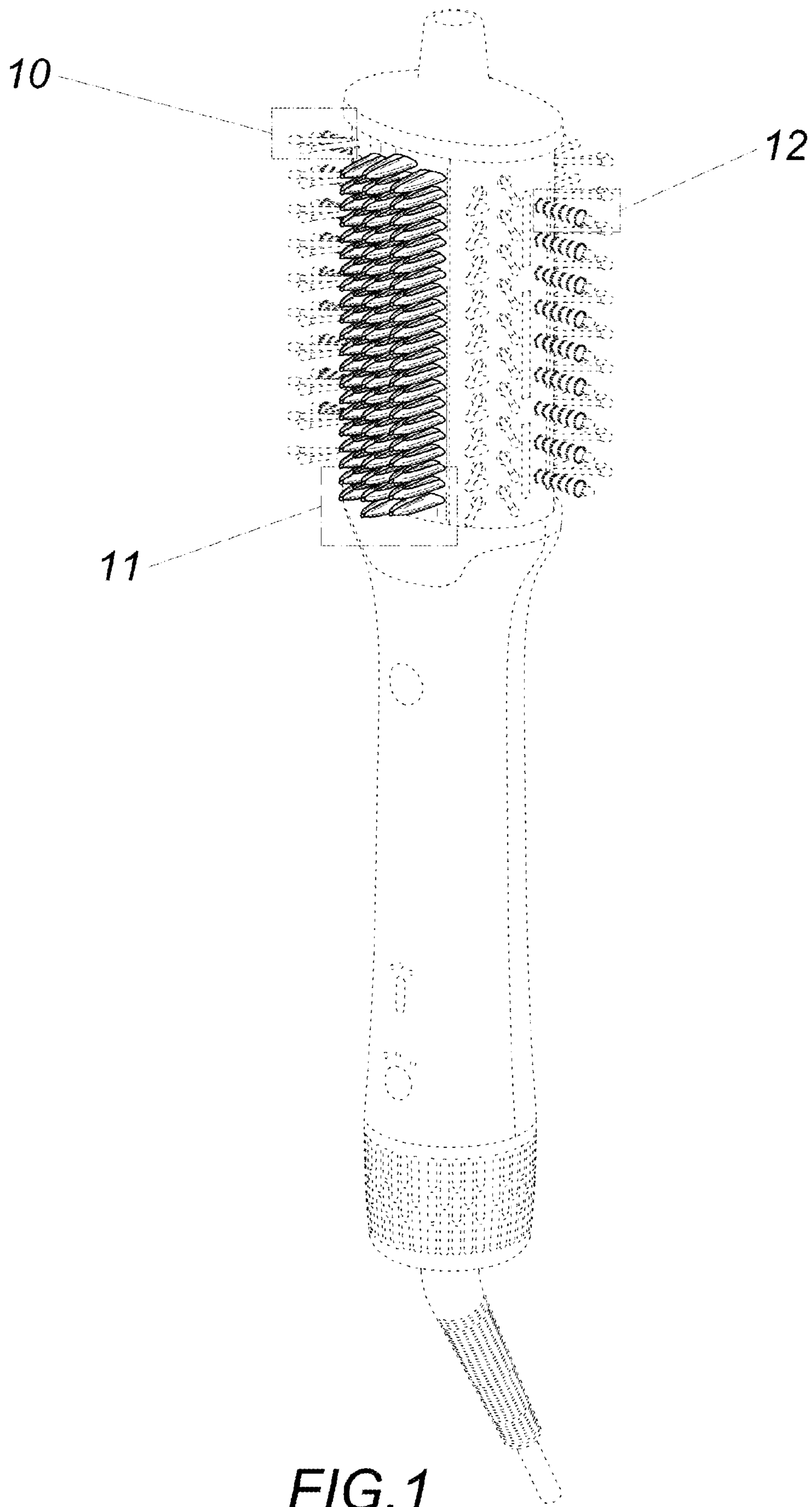


FIG. 1

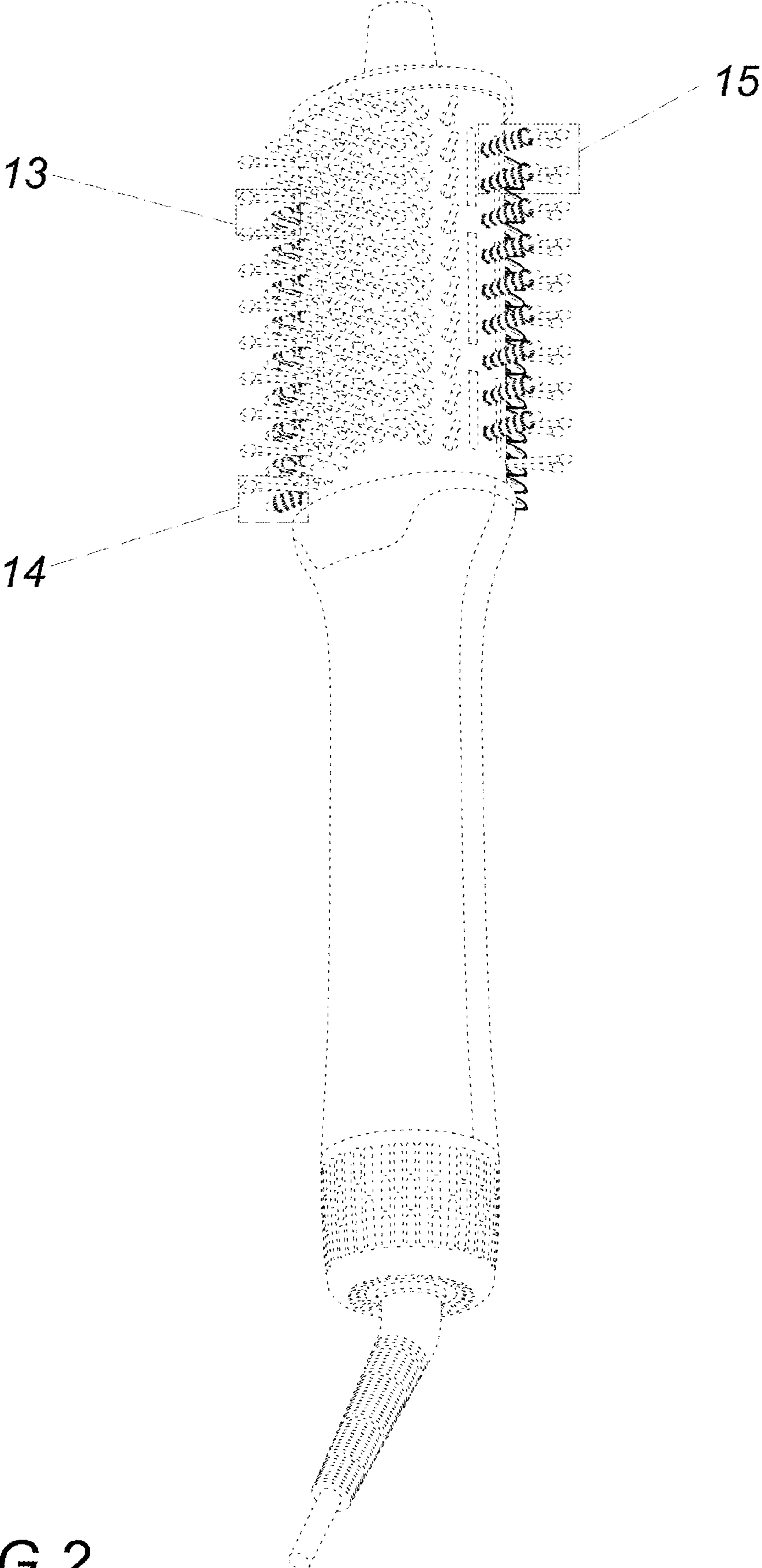


FIG. 2

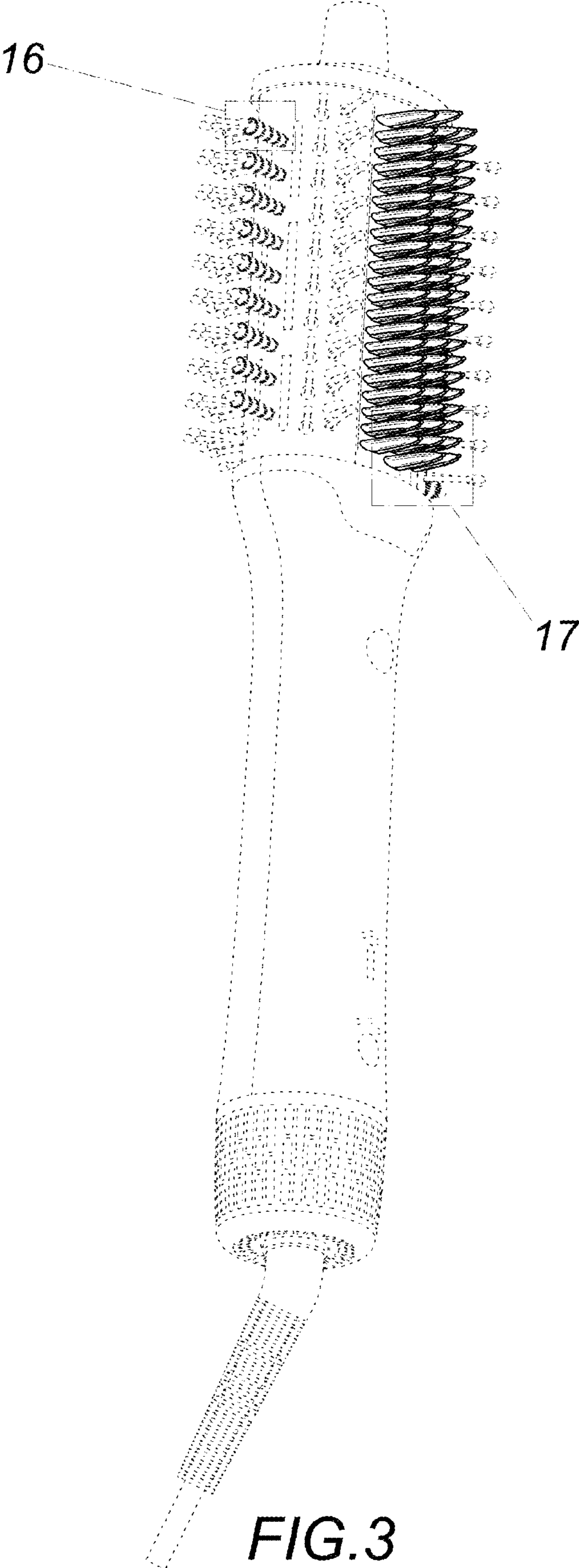
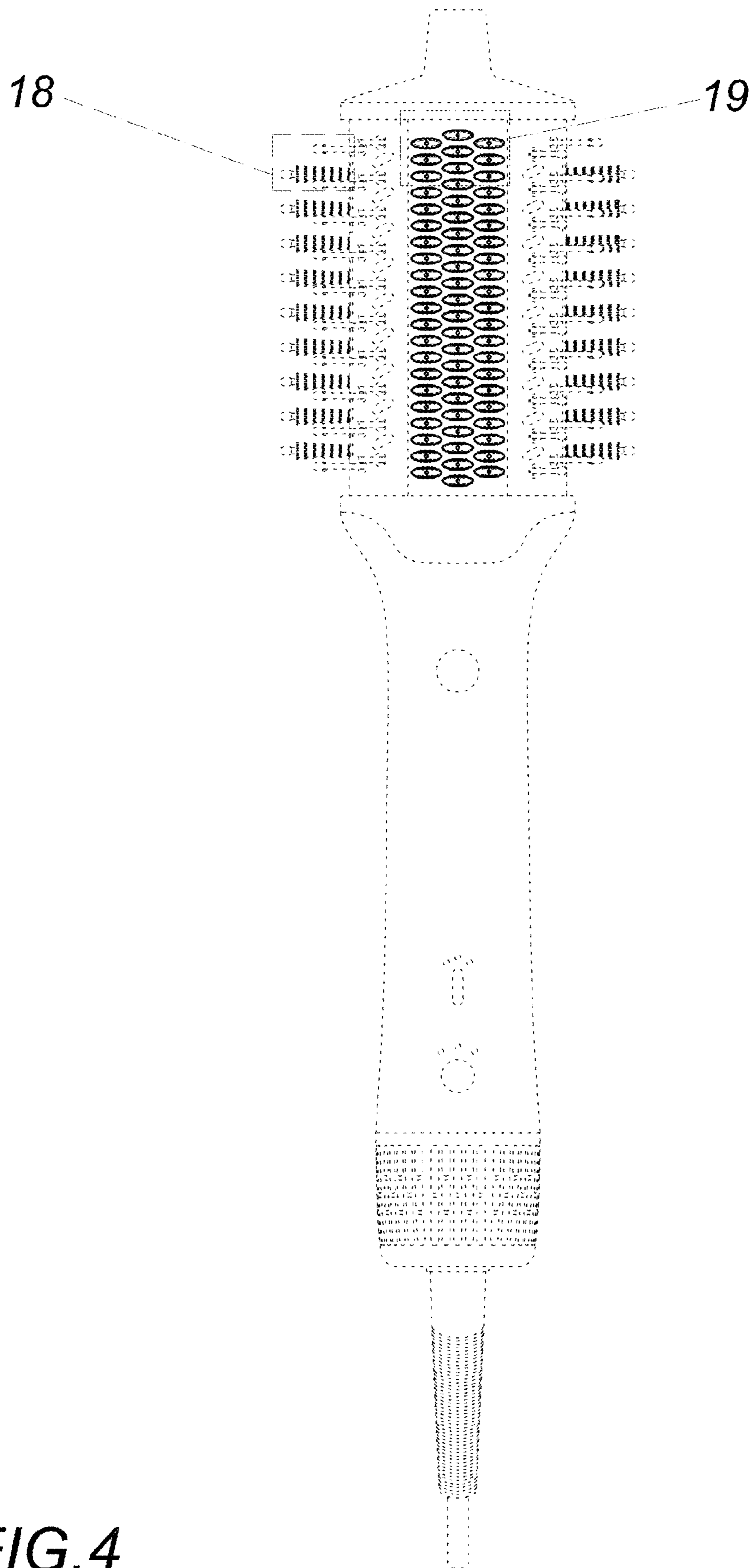


FIG. 3



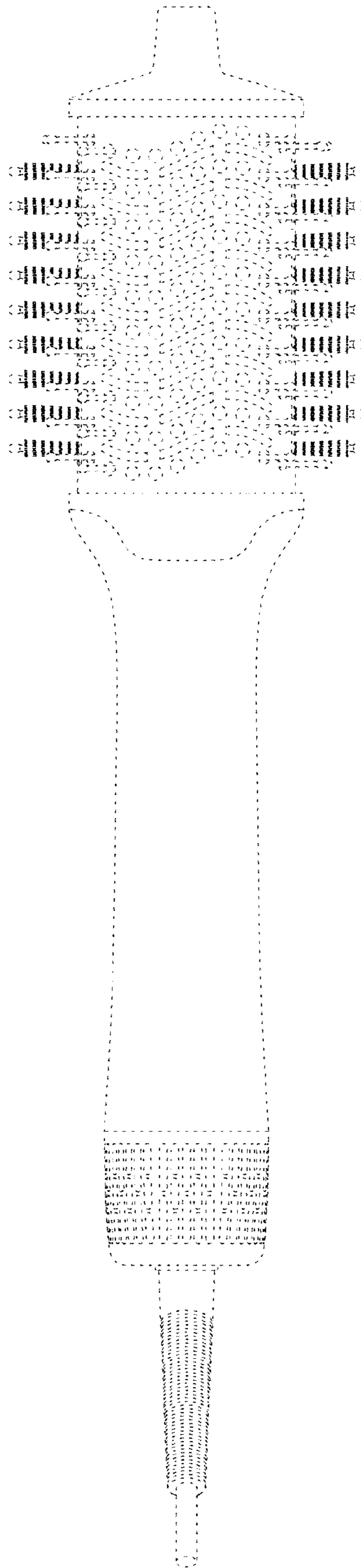


FIG. 5

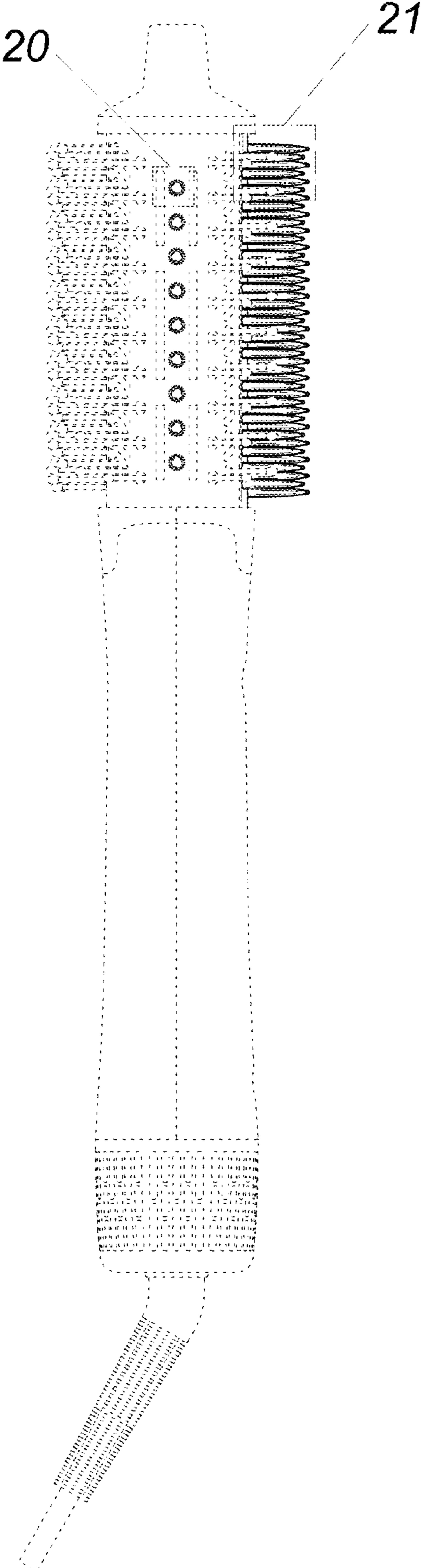


FIG. 6

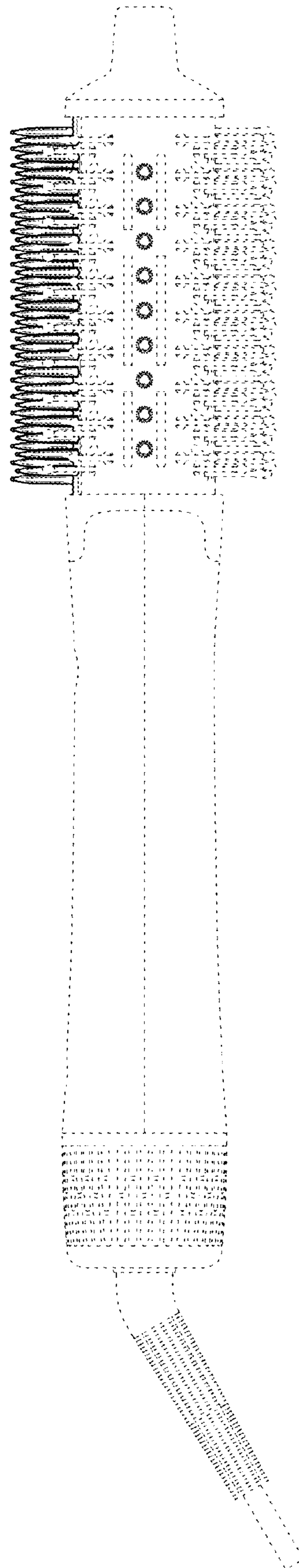


FIG. 7

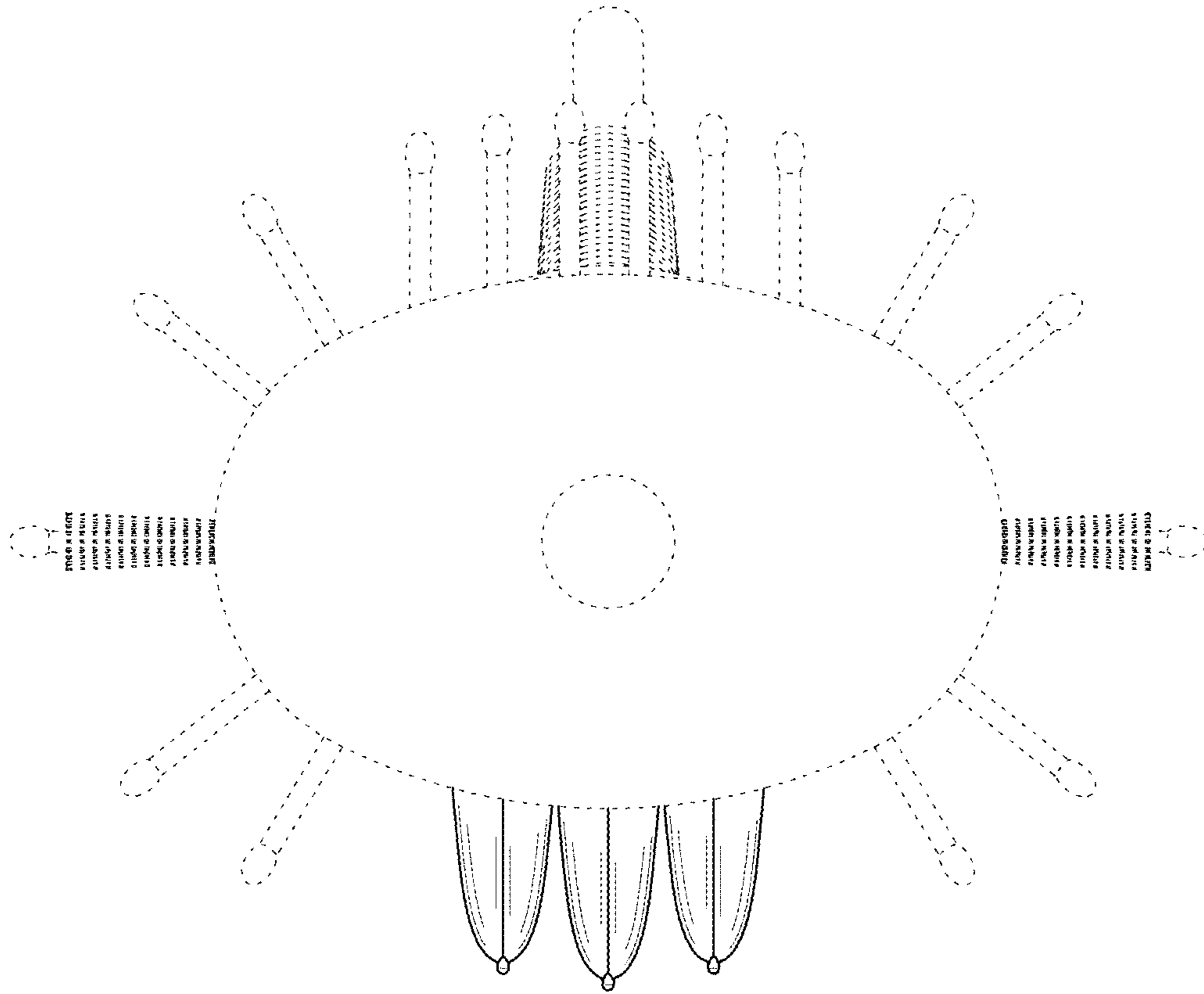


FIG. 8

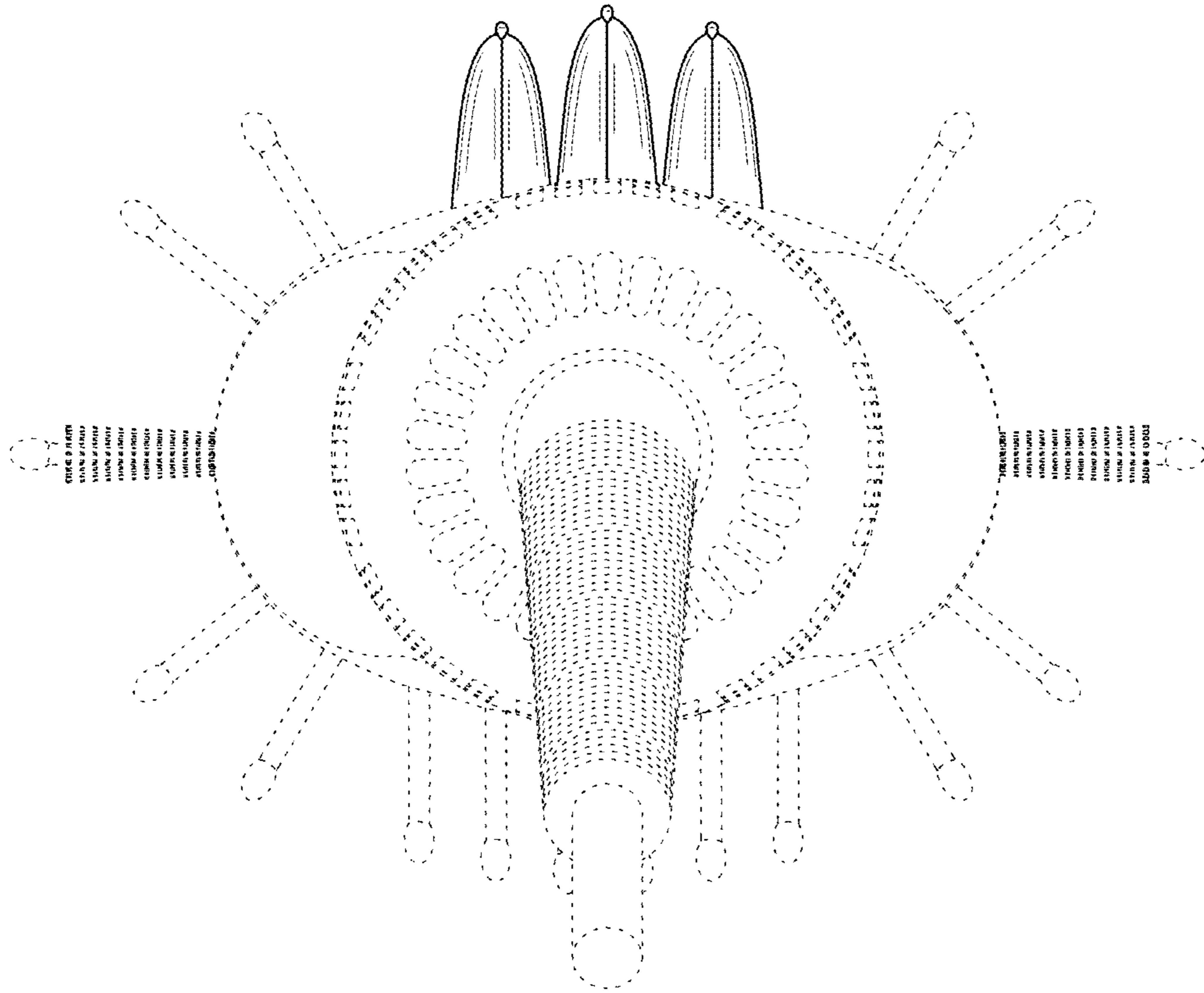


FIG. 9

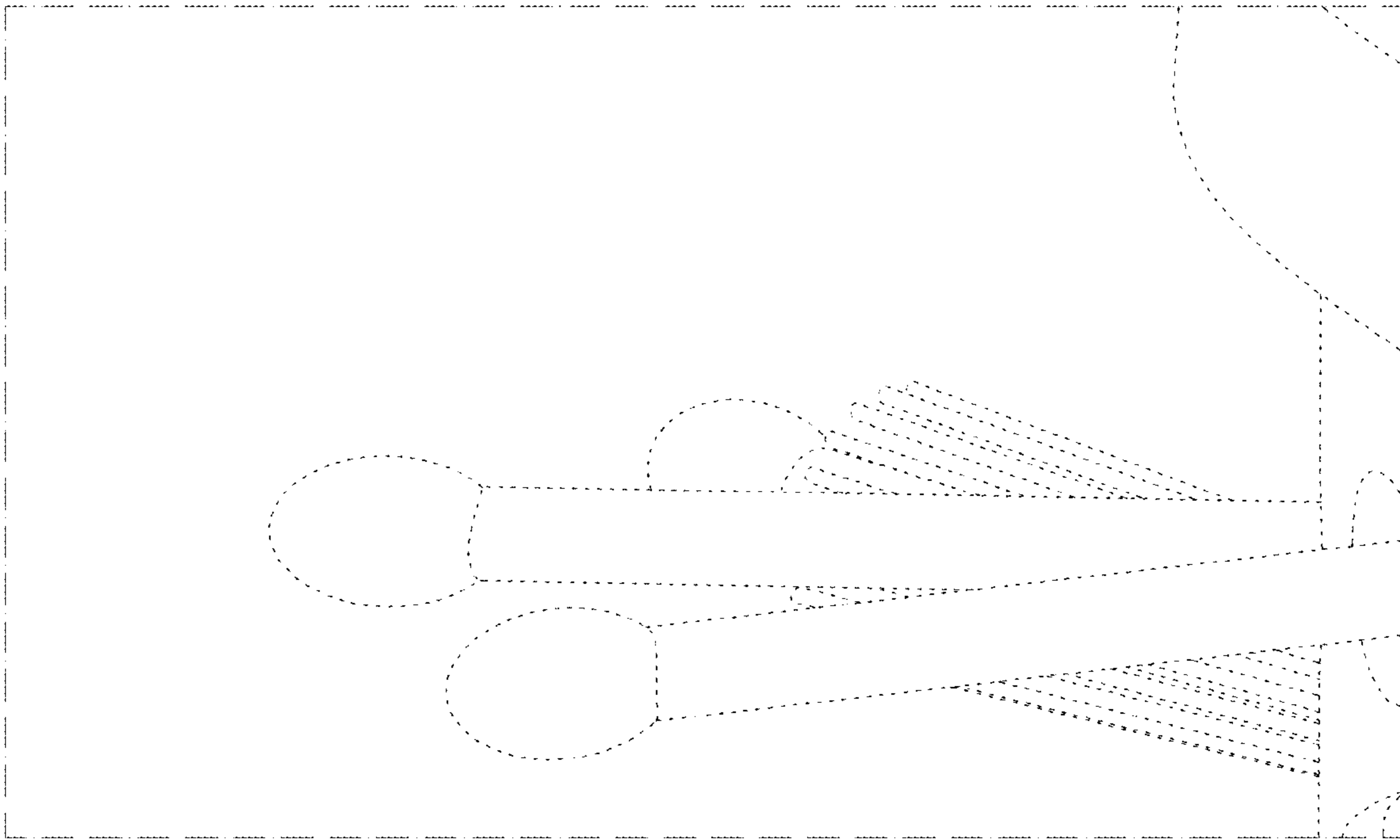


FIG. 10

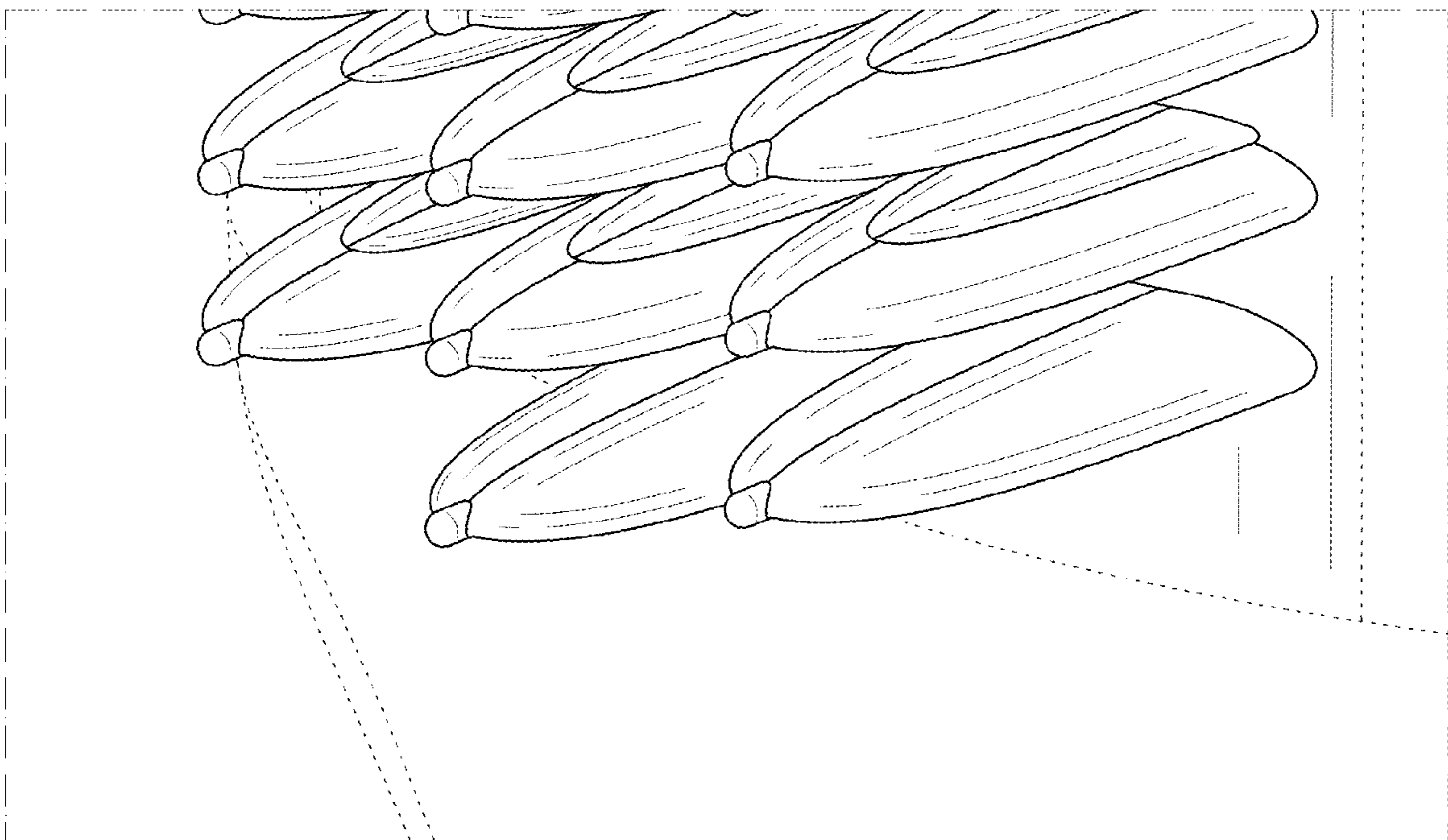


FIG. 11

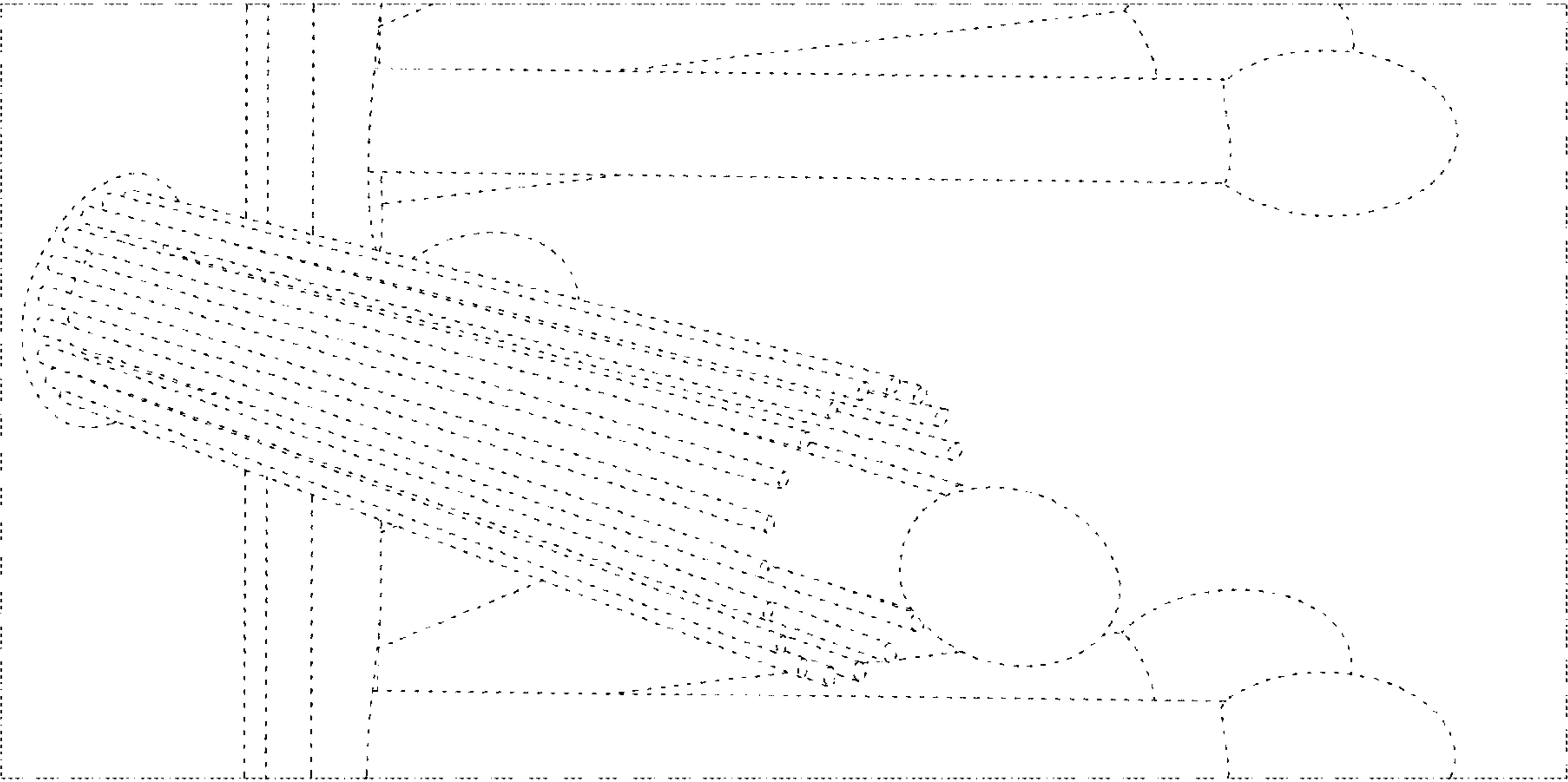


FIG. 12

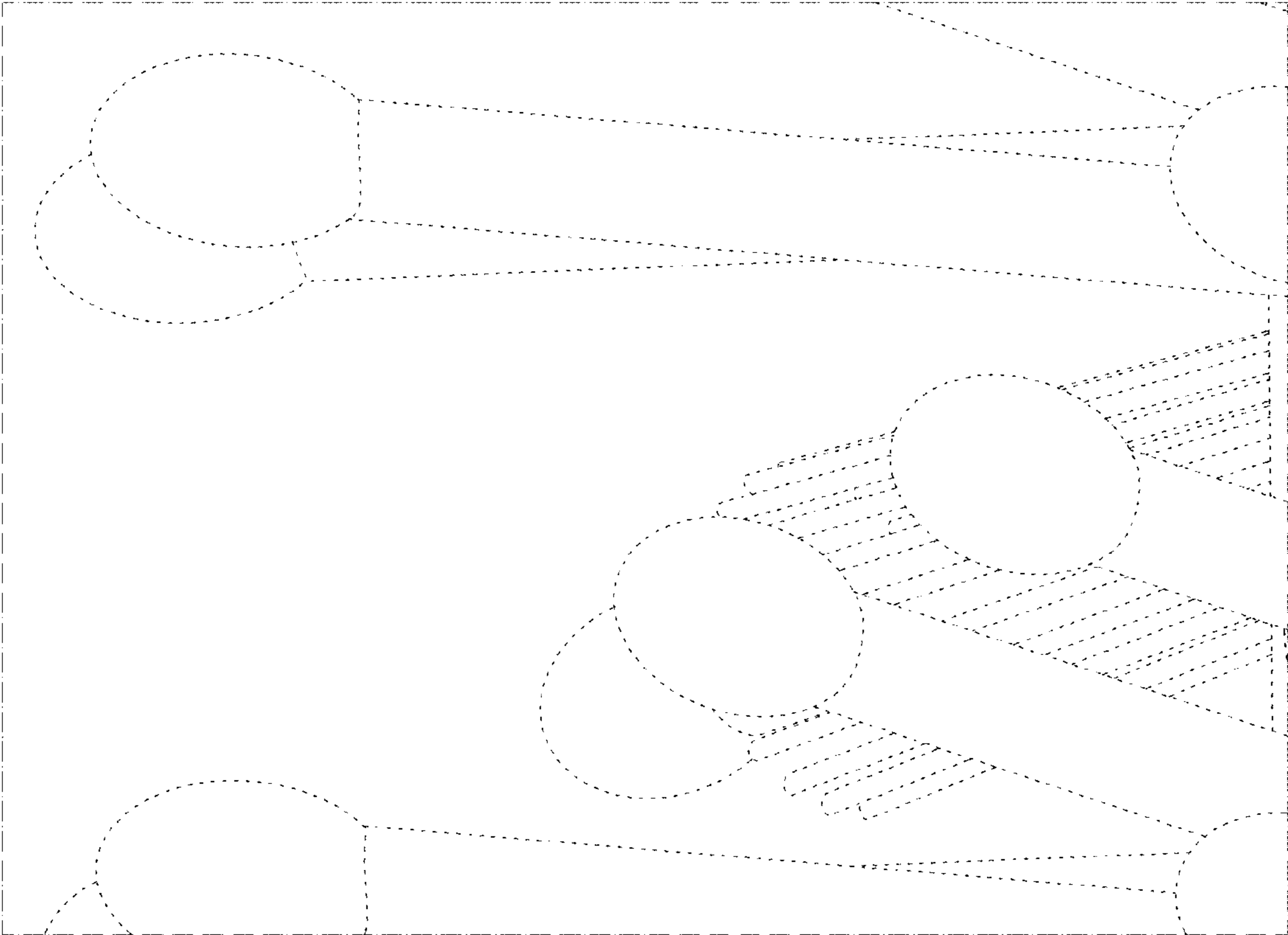


FIG. 13

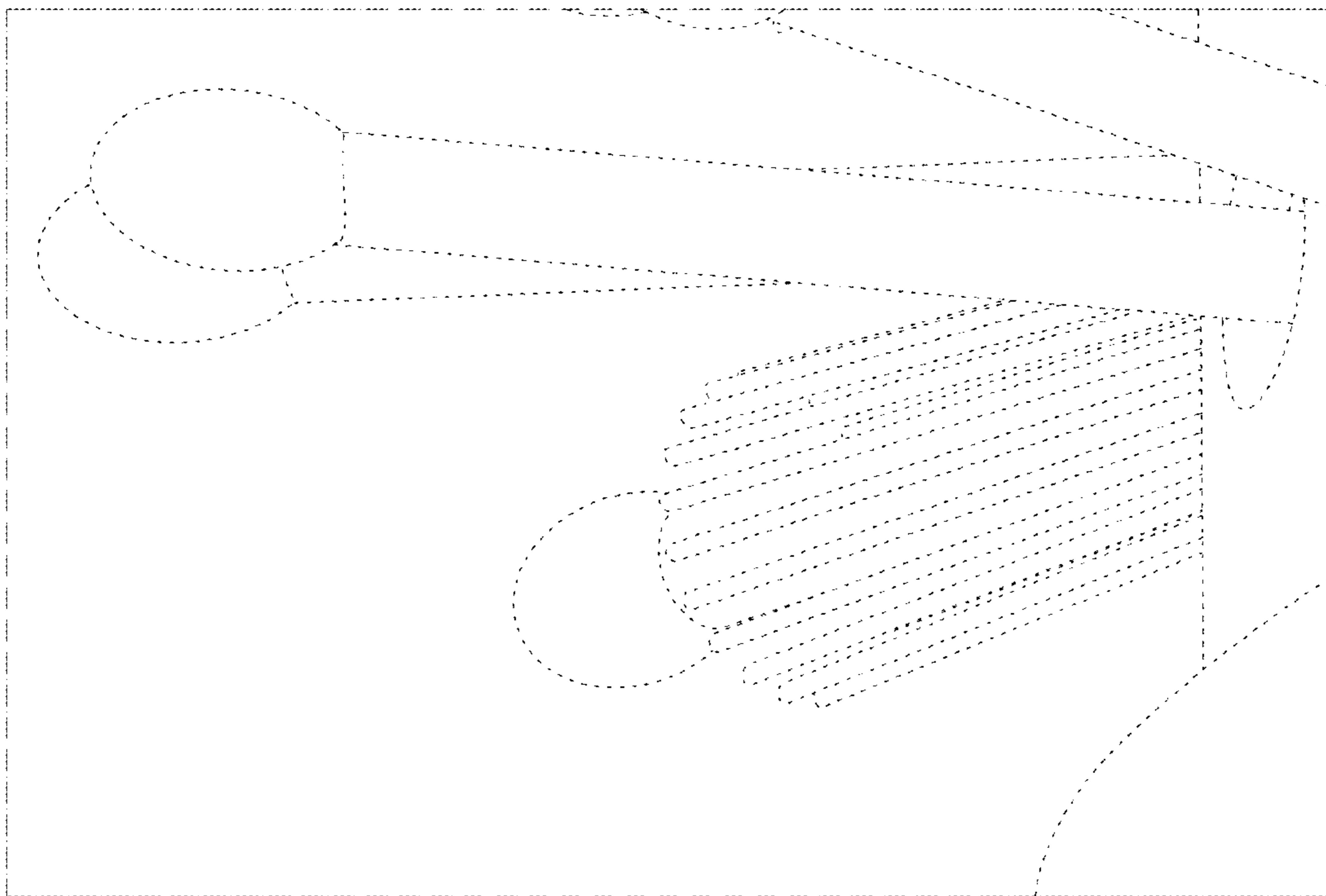


FIG. 14

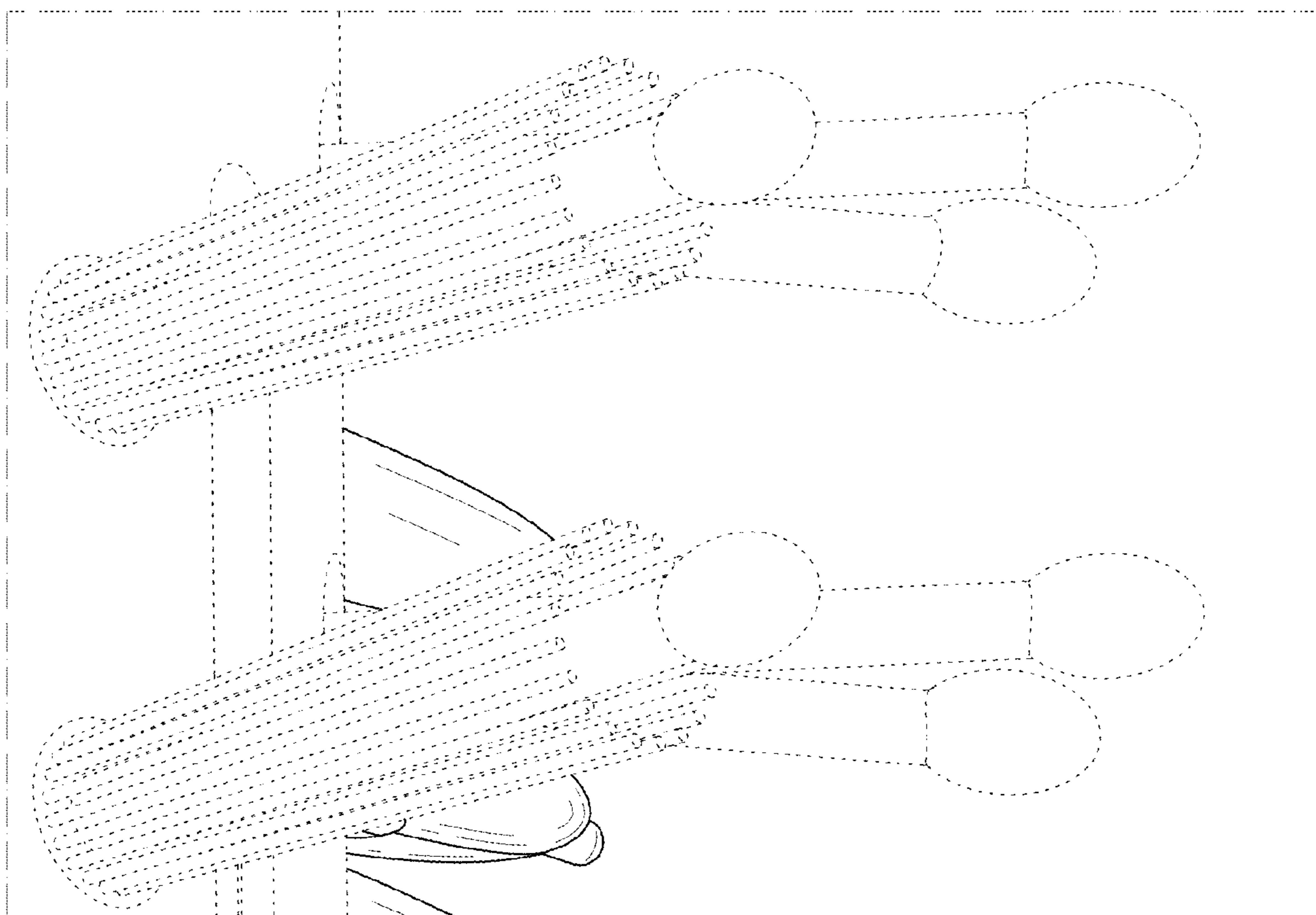


FIG. 15

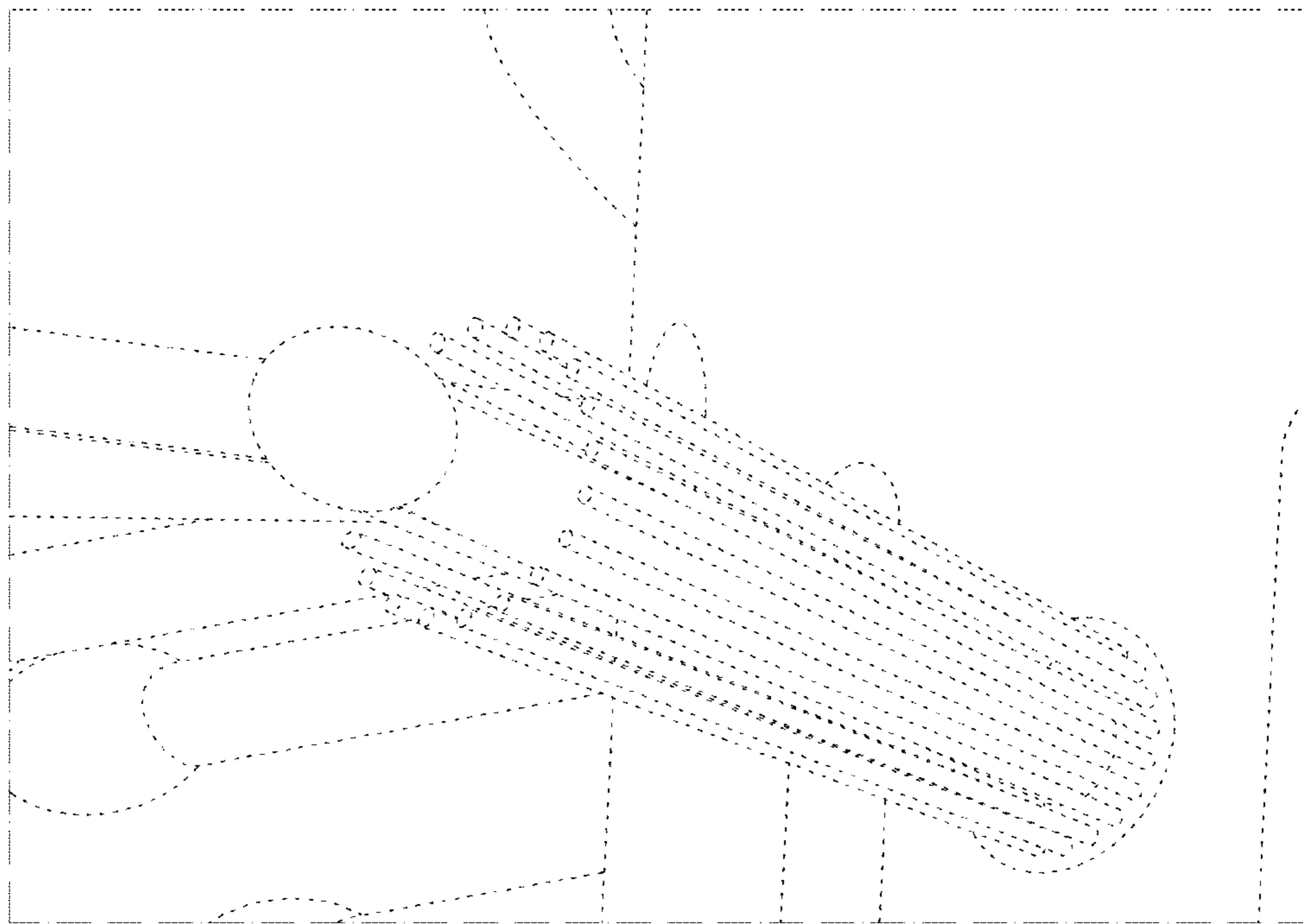


FIG. 16

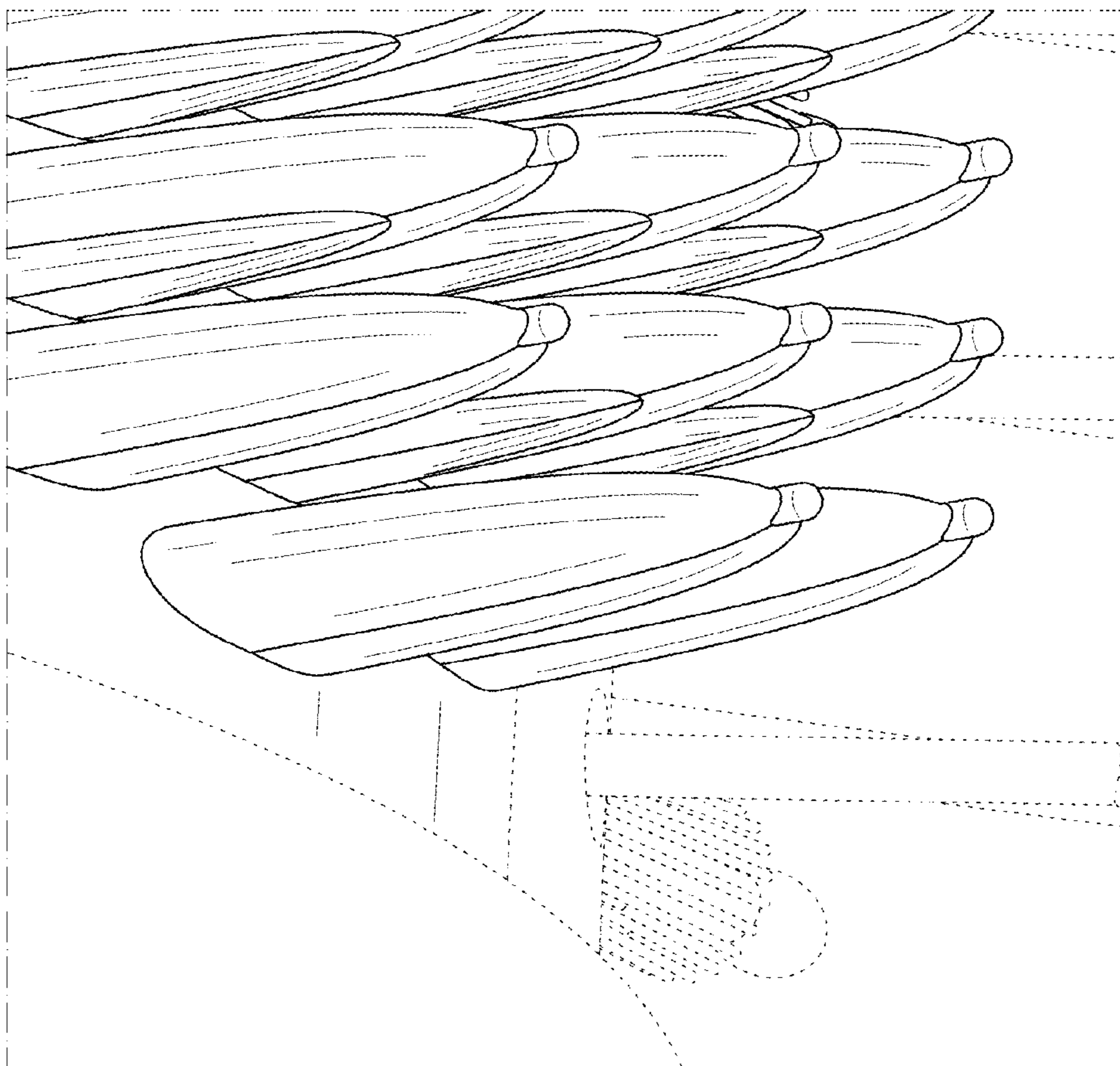


FIG. 17

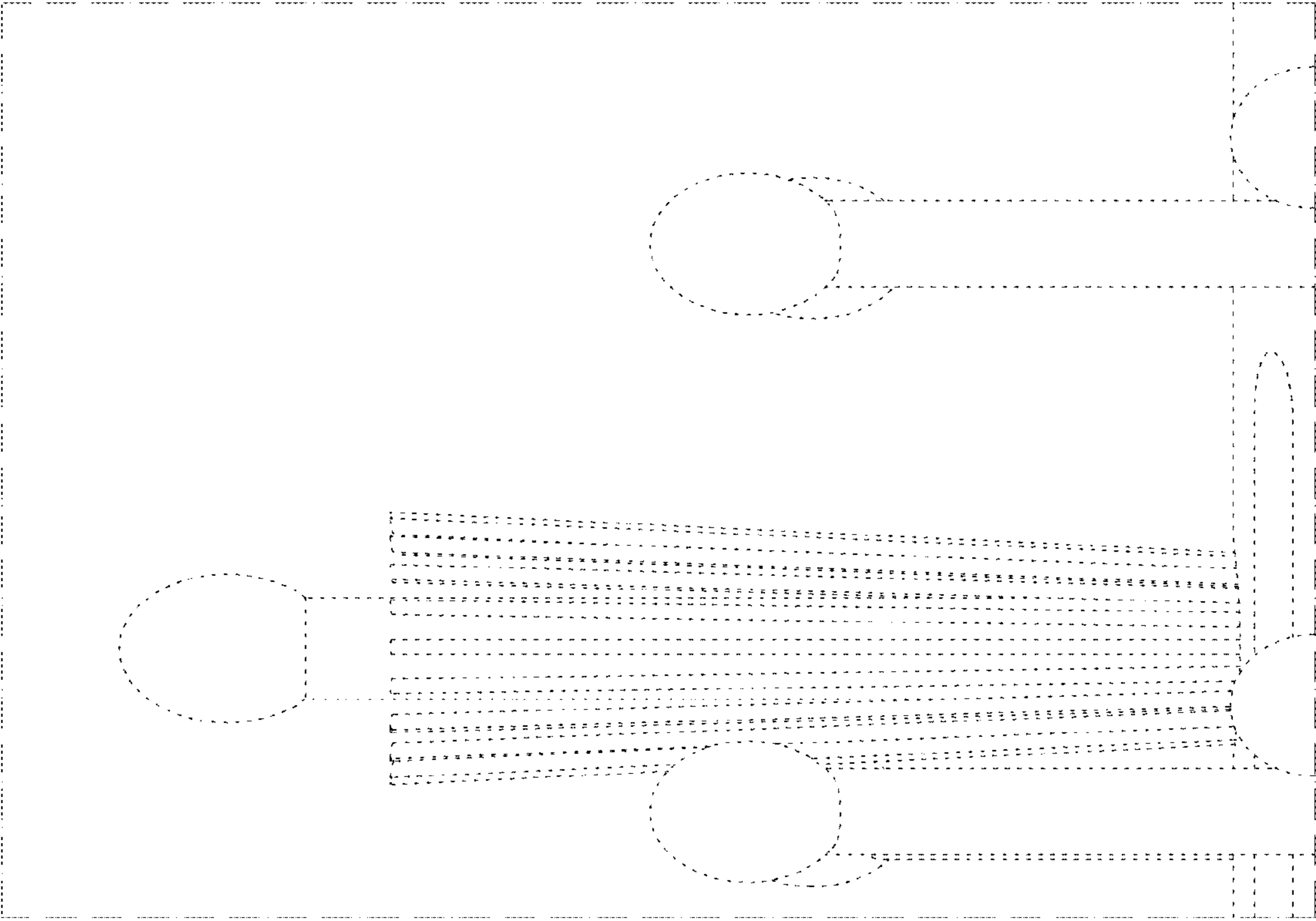


FIG. 18

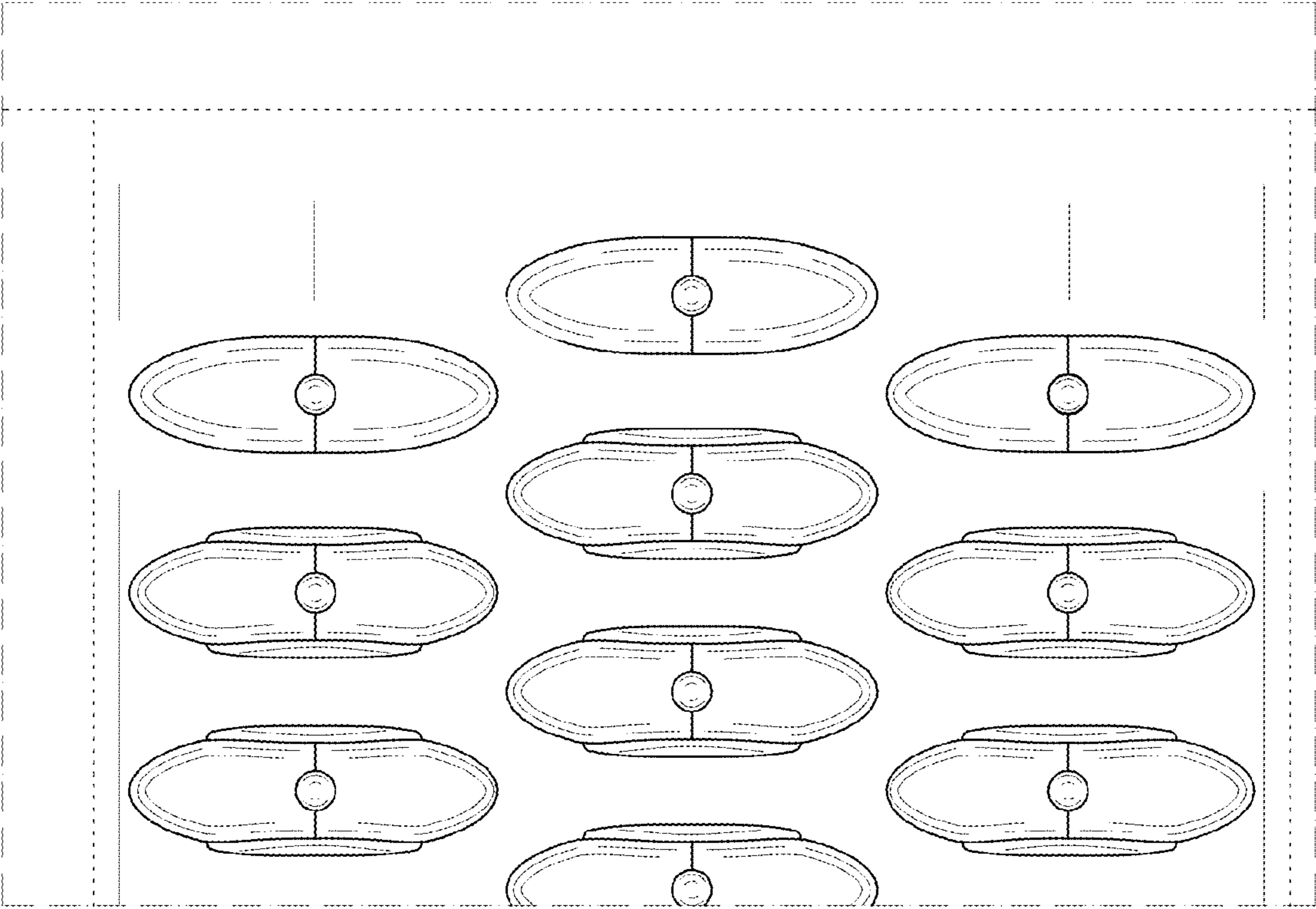


FIG. 19

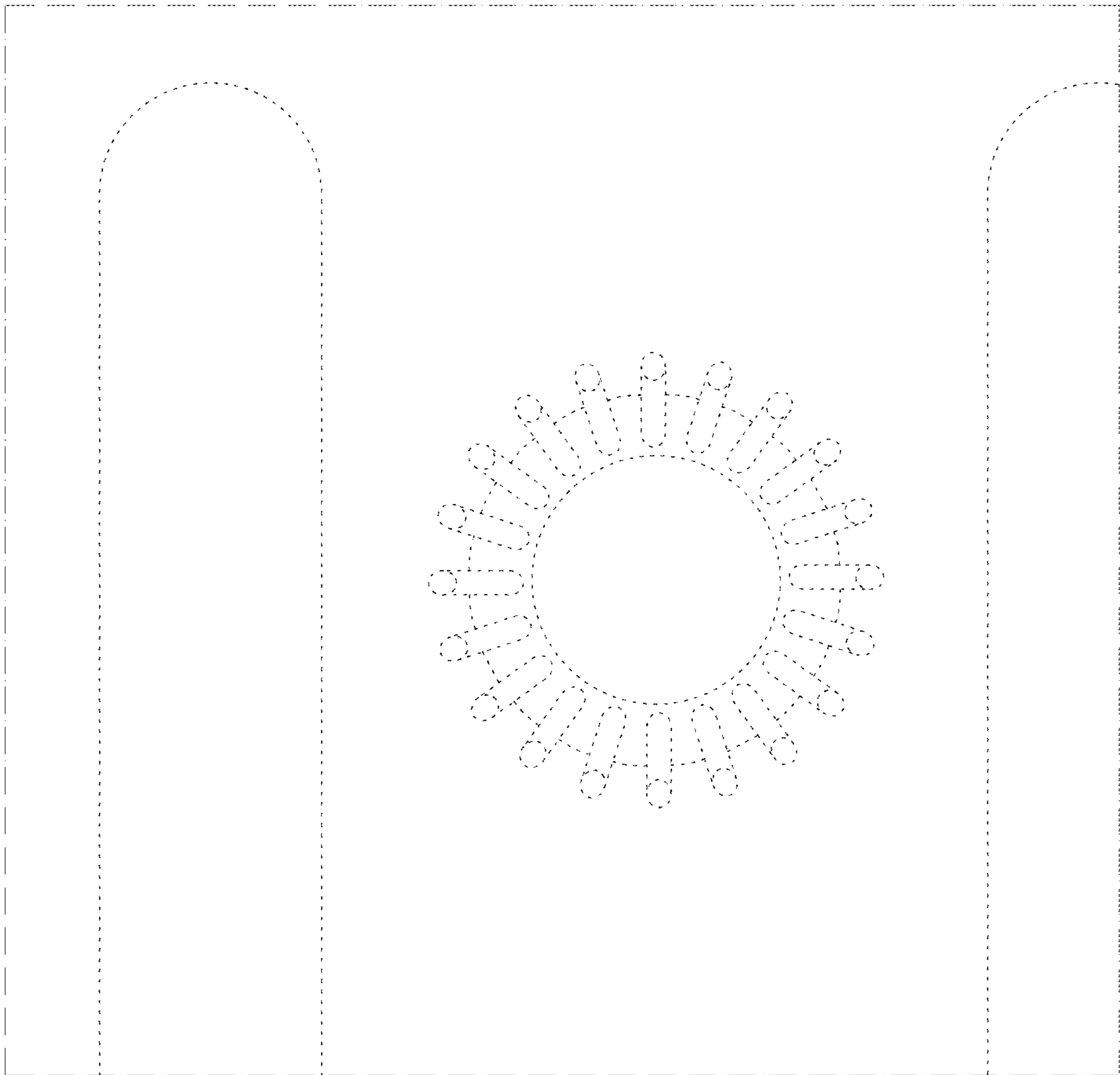


FIG. 20

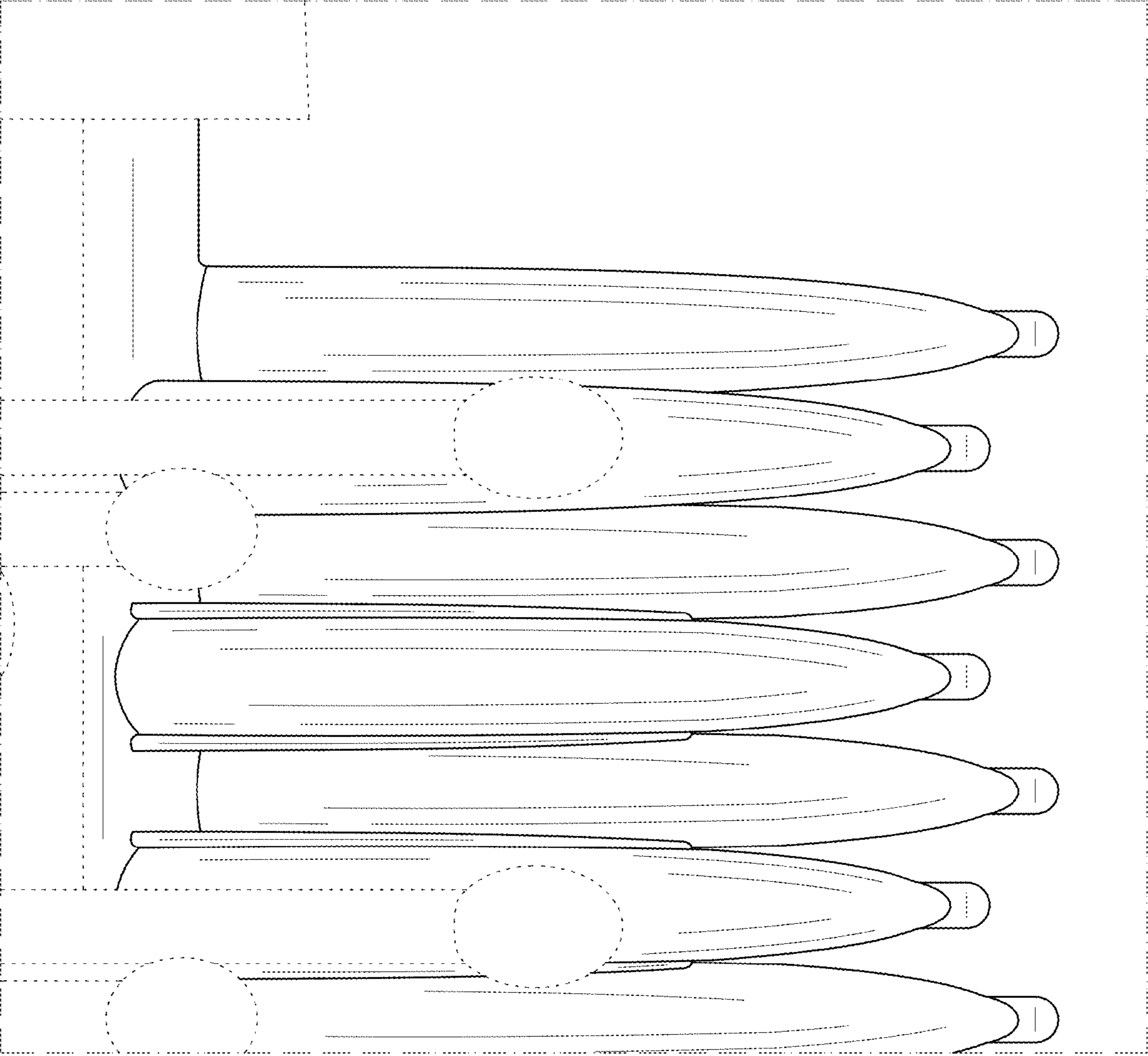


FIG. 21