



US0D1050564S

(12) **United States Design Patent** (10) **Patent No.:** **US D1,050,564 S**
Kennedy (45) **Date of Patent:** **** Nov. 5, 2024**

(54) **LIGHT STAKE**
(71) Applicant: **Canny Systems, LLC**, Mansfield, TX (US)
(72) Inventor: **Stacy L. Kennedy**, Mansfield, TX (US)
(73) Assignee: **CANNY SYSTEMS, LLC**, Mansfield, TX (US)

D799,314 S * 10/2017 Adams, IV D8/395
D816,263 S * 4/2018 Chang D26/63
D824,246 S * 7/2018 Ming D8/382
D939,335 S * 12/2021 Kennedy D8/395
D957,929 S * 7/2022 Kennedy D8/395
2023/0160562 A1* 5/2023 Kennedy G09B 19/003
434/81

(Continued)

(**) Term: **15 Years**
(21) Appl. No.: **29/789,661**

OTHER PUBLICATIONS
"Canny Systems 7.5in Christmas Light Stakes", Oct. 9, 2018, Amazon.com, site visited Mar. 27, 2024: <https://www.amazon.com/dp/B07KMLL82L> (Year: 2018).*

(Continued)

(22) Filed: **Oct. 11, 2021**
(51) **LOC (14) Cl.** **08-08**
(52) **U.S. Cl.**
USPC **D8/395**; D26/138
(58) **Field of Classification Search**
USPC D8/354, 373, 380, 382, 394, 395, 396;
D21/840; D26/138
CPC F21S 4/10; F21V 21/088; F21V 21/0824;
F21V 21/08; F21V 19/00; F21W
2121/004; F21W 2121/00
See application file for complete search history.

Primary Examiner — Jack Reickel
Assistant Examiner — Michael A Kervin
(74) *Attorney, Agent, or Firm* — Justin D. Swindells; Ice Miller LLP

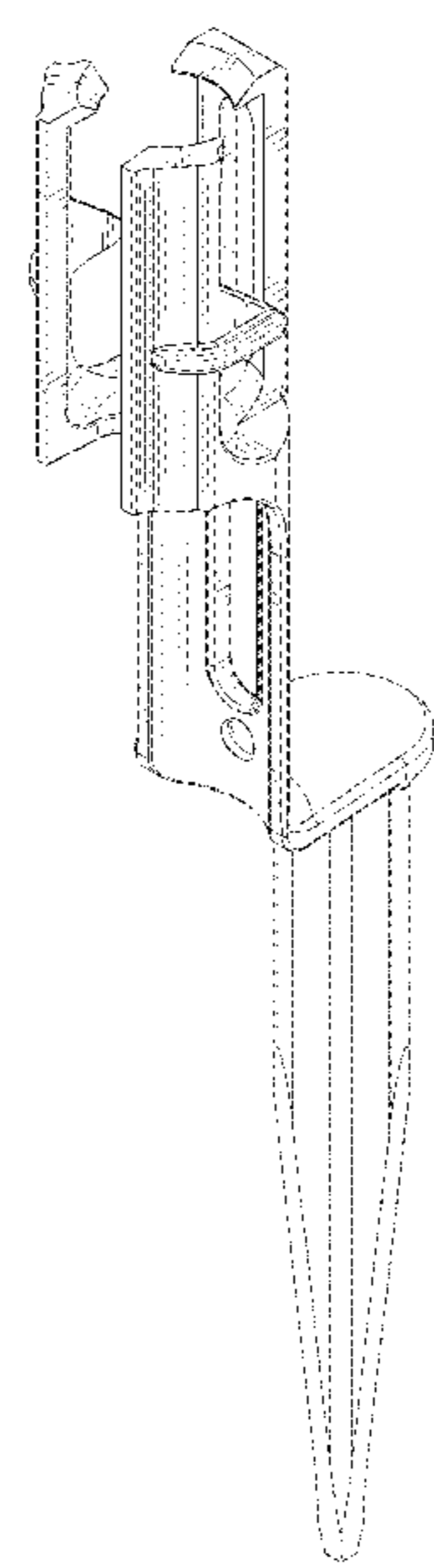
(57) **CLAIM**
The ornamental design for a light stake as shown and described.

DESCRIPTION

(56) **References Cited**
U.S. PATENT DOCUMENTS
D333,526 S * 2/1993 Taylor D26/138
D377,076 S * 12/1996 Adams D8/391
D378,980 S * 4/1997 Thayer D8/1
D380,947 S * 7/1997 Adams D8/1
5,667,174 A * 9/1997 Adams A45F 3/44
248/156
D414,291 S * 9/1999 Gary D8/395
D415,018 S * 10/1999 Uhler D8/1
D469,566 S * 1/2003 Gary F21V 21/0824
D8/1
D494,849 S * 8/2004 Jones D8/395
D538,636 S * 3/2007 Jackson D8/395
D675,510 S * 2/2013 Gary D8/395

FIG. 1 is a front perspective view of a light stake.
FIG. 2 is a back perspective view of the light stake shown in FIG. 1.
FIG. 3 is front view of the light stake shown in FIG. 1.
FIG. 4 is a back view of the light stake shown in FIG. 1.
FIG. 5 is a left view of the light stake shown in FIG. 1.
FIG. 6 is a right view of the light stake shown in FIG. 1.
FIG. 7 is a top view of the light stake shown in FIG. 1; and, FIG. 8 is a bottom view of the light stake shown in FIG. 1.
The broken line showing of a light stake is for purpose of illustrating portions of the article and forms no part of the claimed design.

1 Claim, 7 Drawing Sheets



(56)

References Cited

U.S. PATENT DOCUMENTS

2023/0167969 A1* 6/2023 Kennedy F21S 4/10
362/396

OTHER PUBLICATIONS

“Steel Torch Stakes”, Nov. 16, 2019, Amazon.ca, site visited Mar. 27, 2024: <https://www.amazon.ca/dp/B07ZS4Q79G> (Year: 2019).*

“Canny Systems—The Clever Choice”, Feb. 15, 2020, Facebook.com, site visited Mar. 27, 2024: <https://www.facebook.com/RidgeClip/photos/pb.100063467919444.-2207520000/2434969776816558> (Year: 2020).*

Canny Systems, LLC, Light Stake as advertised on Jul. 10, 2018 (1 page).

* cited by examiner

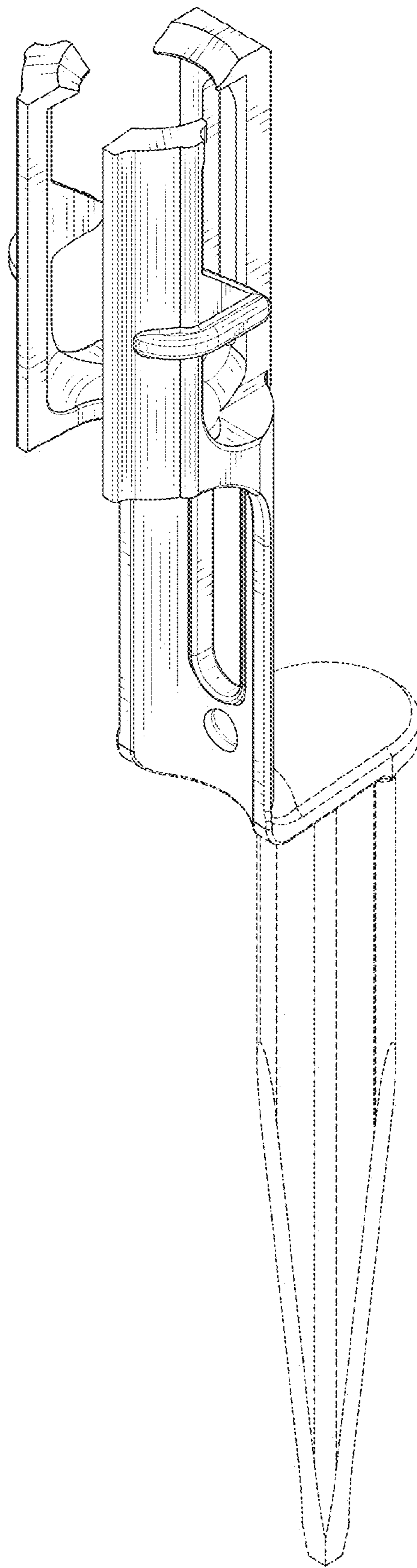


FIG. 1

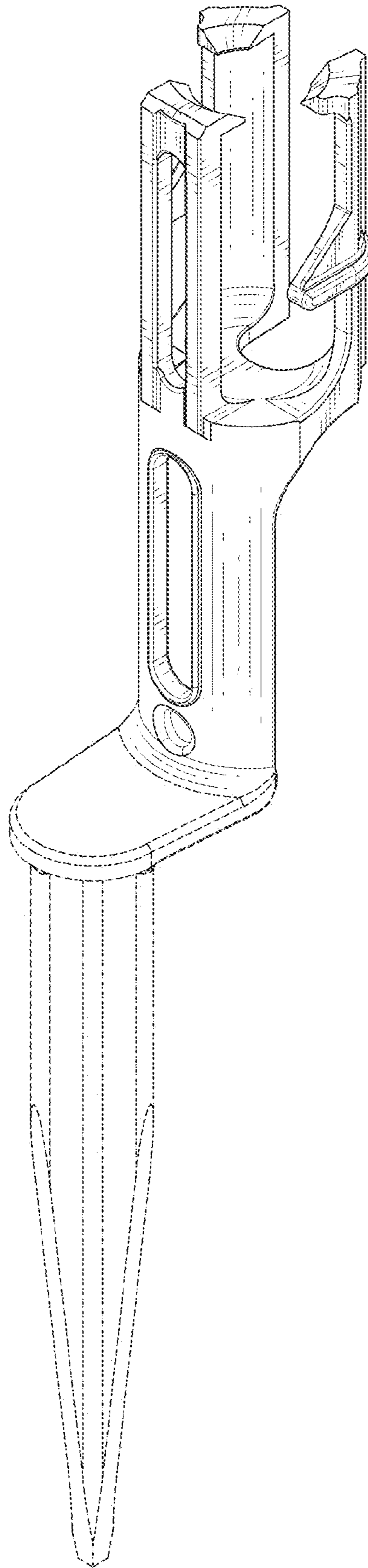


FIG. 2

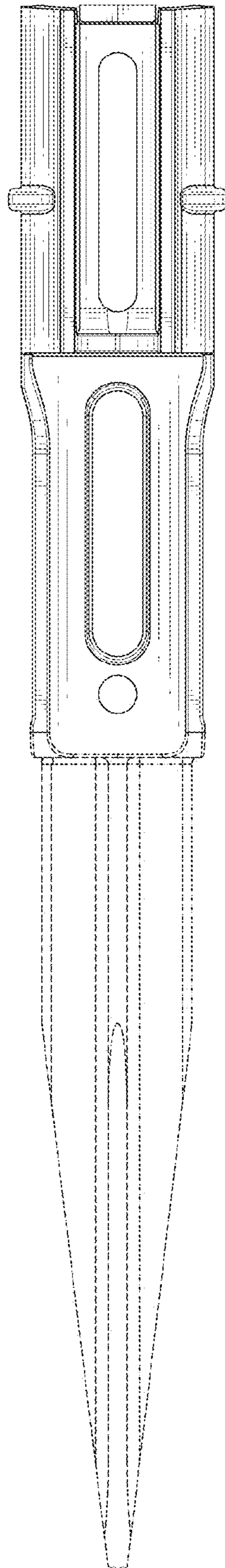


FIG. 3

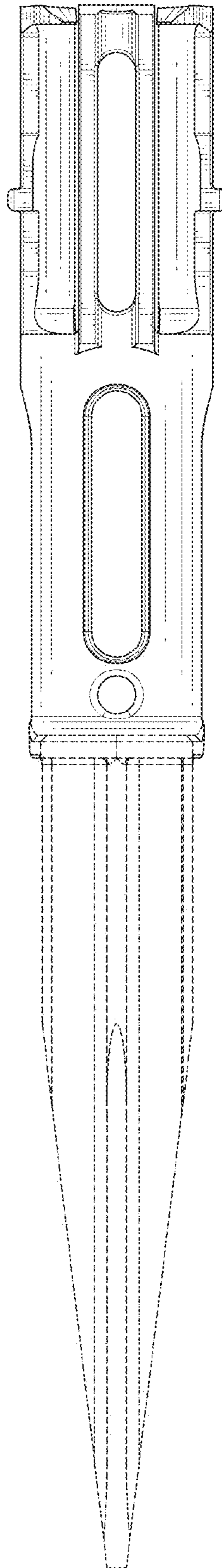


FIG. 4

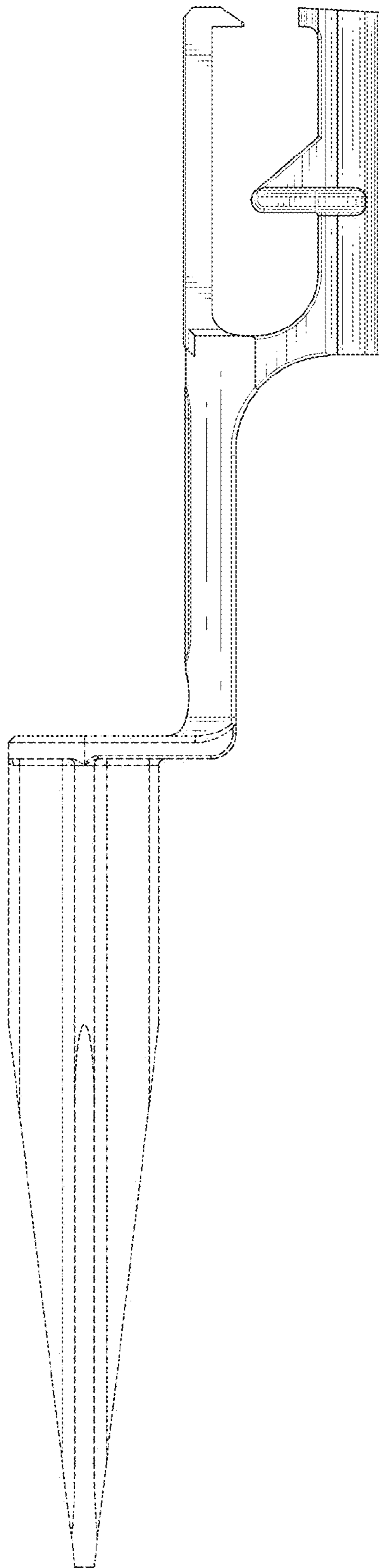


FIG. 5

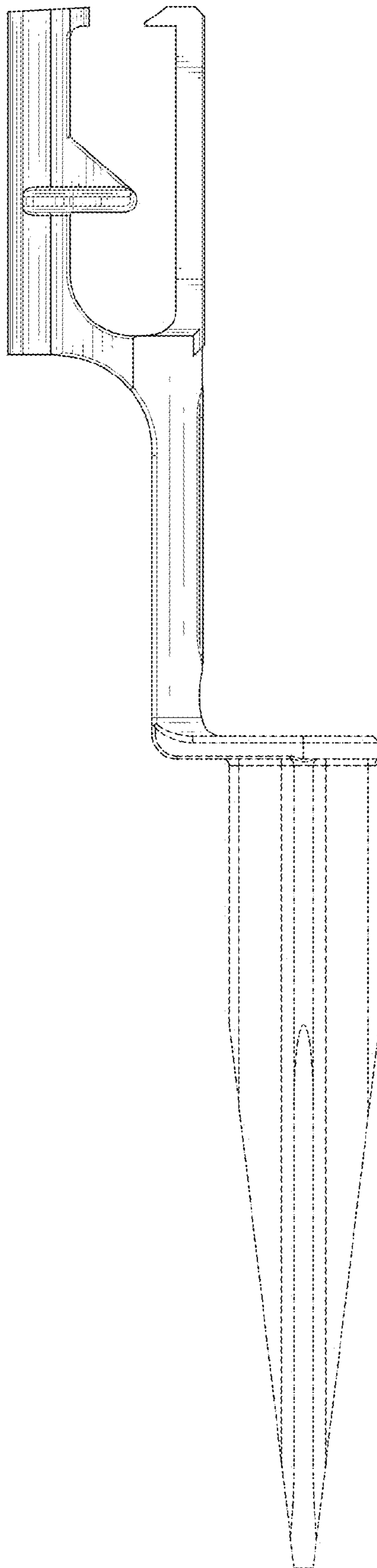


FIG. 6

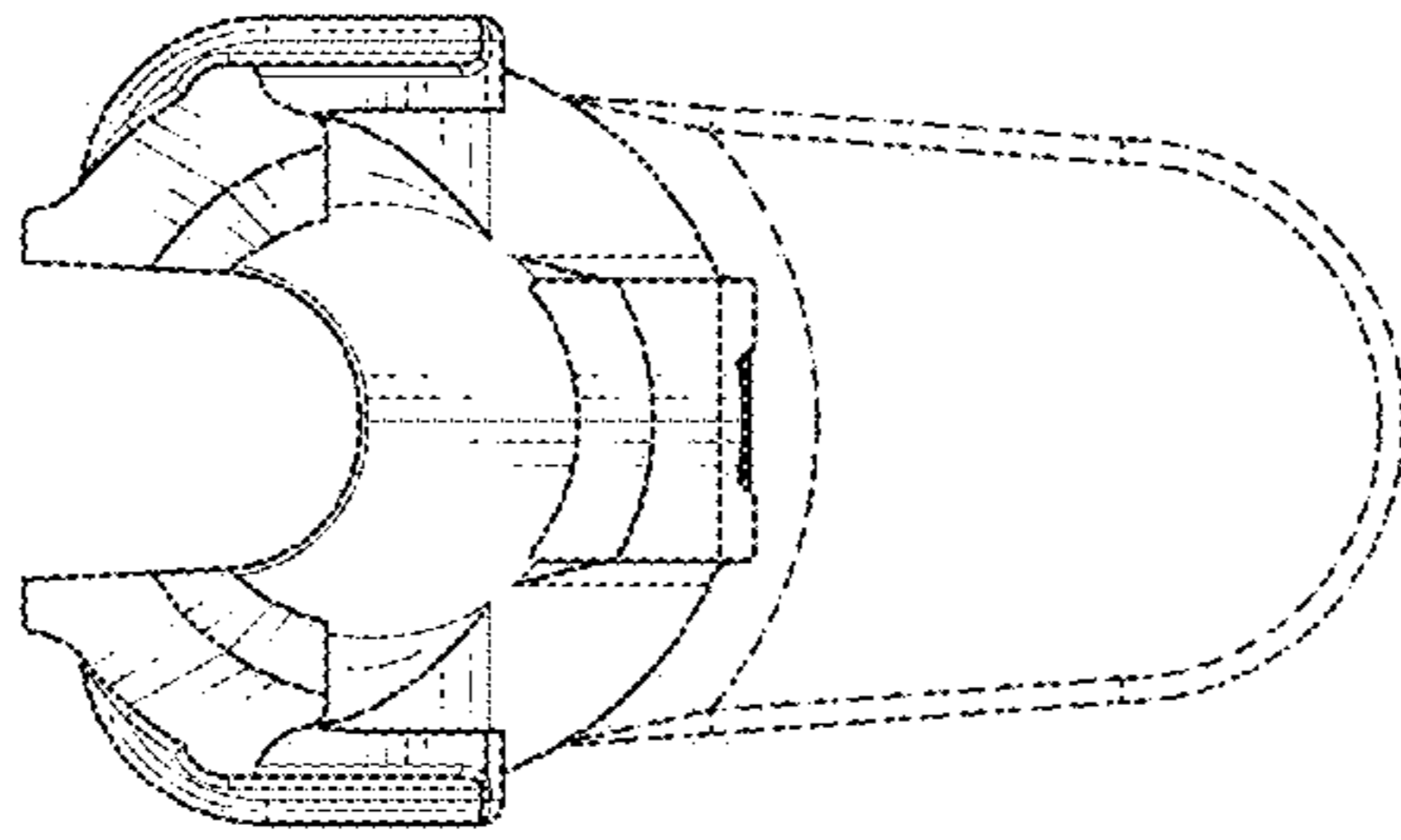


FIG. 7

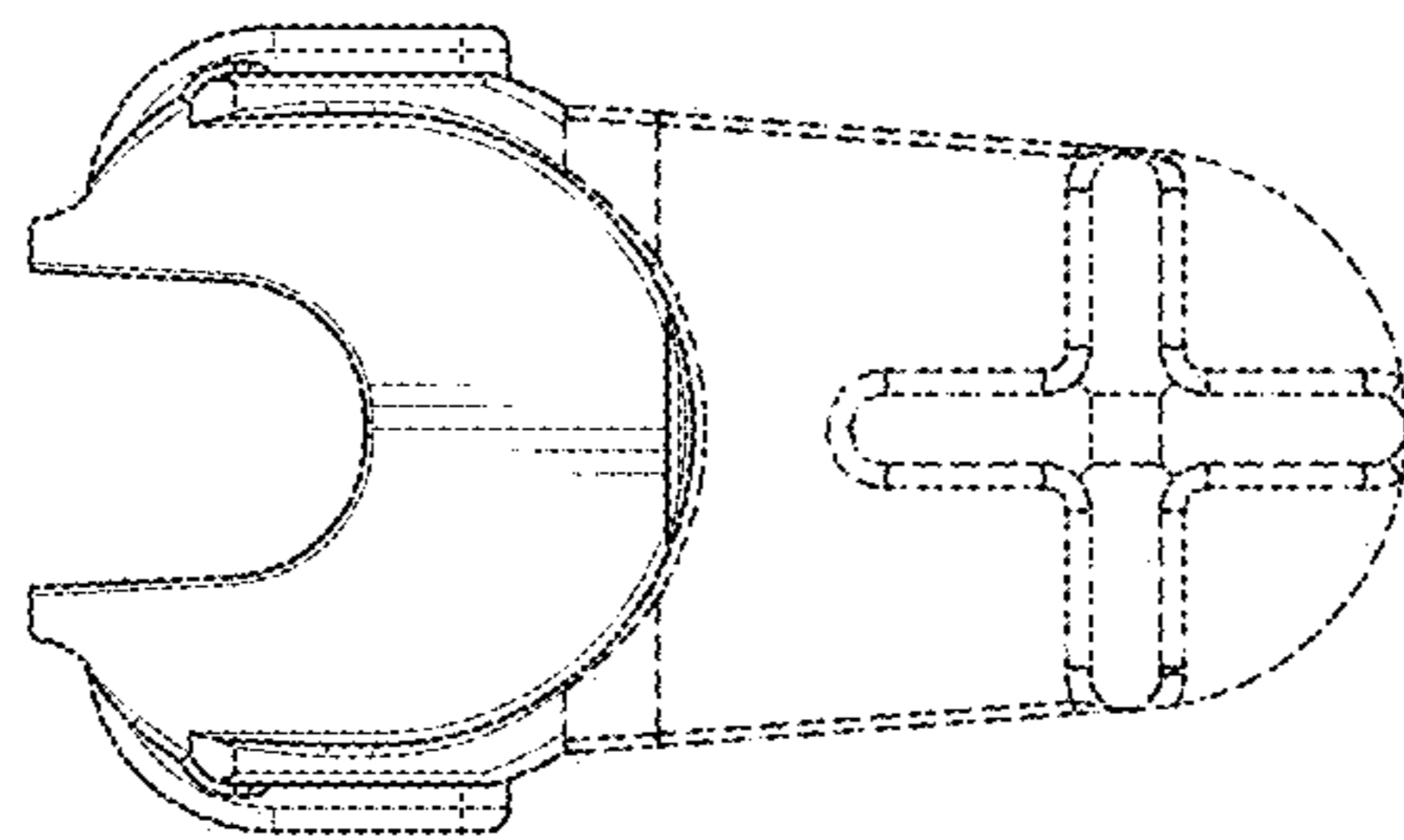


FIG. 8