



US0D1050543S

(12) **United States Design Patent** (10) **Patent No.:** **US D1,050,543 S**
Zhao (45) **Date of Patent:** **** Nov. 5, 2024**

(54) **LAMP WITH A BASE**

(71) Applicant: **HongChun Zhao**, ShenZhen (CN)

(72) Inventor: **HongChun Zhao**, ShenZhen (CN)

(**) Term: **15 Years**

(21) Appl. No.: **29/795,788**

(22) Filed: **Jun. 21, 2021**

(51) **LOC (14) Cl.** **26-05**

(52) **U.S. Cl.**
USPC **D26/93**; D26/51

(58) **Field of Classification Search**
USPC D26/24, 51, 60, 93, 104, 110, 112;
D23/207, 208
CPC F21S 6/00; F21S 6/002; F21W 2131/30;
F21W 2131/40; F21W 2131/401
See application file for complete search history.

(56) **References Cited**

U.S. PATENT DOCUMENTS

3,634,679	A	*	1/1972	Krzyston	F21S 10/06
						D26/112
D376,666	S	*	12/1996	Shalvi	D26/68
D517,643	S	*	3/2006	Thompson	D23/208
D518,870	S	*	4/2006	Thompson	D23/208
D786,485	S	*	5/2017	Amato	D26/106
D805,661	S	*	12/2017	Hogben	D26/2
D883,462	S	*	5/2020	Wei	D23/366
D978,383	S	*	2/2023	Zhang	D26/24
D993,479	S	*	7/2023	Yin	D26/51
D1,001,235	S	*	10/2023	Foglia	D23/207
D1,023,400	S	*	4/2024	He	D26/106

FOREIGN PATENT DOCUMENTS

CN	202130405803.6	*	11/2021
CN	202230541569.4	*	11/2022

OTHER PUBLICATIONS

LanSuper Chlorine Dispenser Light, posted online May 3, 2022, [retrieved Jun. 5, 2024]. Retrieved from internet, <https://www.amazon.com/Chlorine-Chemical-Dispenser-Floating-Chlorinator/dp/B097Y364Y9> (Year: 2022).*

Geevon Chlorine Dispenser, posted online Jul. 23, 2023, [retrieved Jun. 5, 2024]. Retrieved from internet, <https://www.amazon.com/Geevon-Chlorine-Dispenser-Chlorinator-Anti-Sinking/dp/B0BX95LKM5> (Year: 2023).*

* cited by examiner

Primary Examiner — Calvin E Vansant

Assistant Examiner — Eric N. Welle

(74) *Attorney, Agent, or Firm* — iPA & iPM

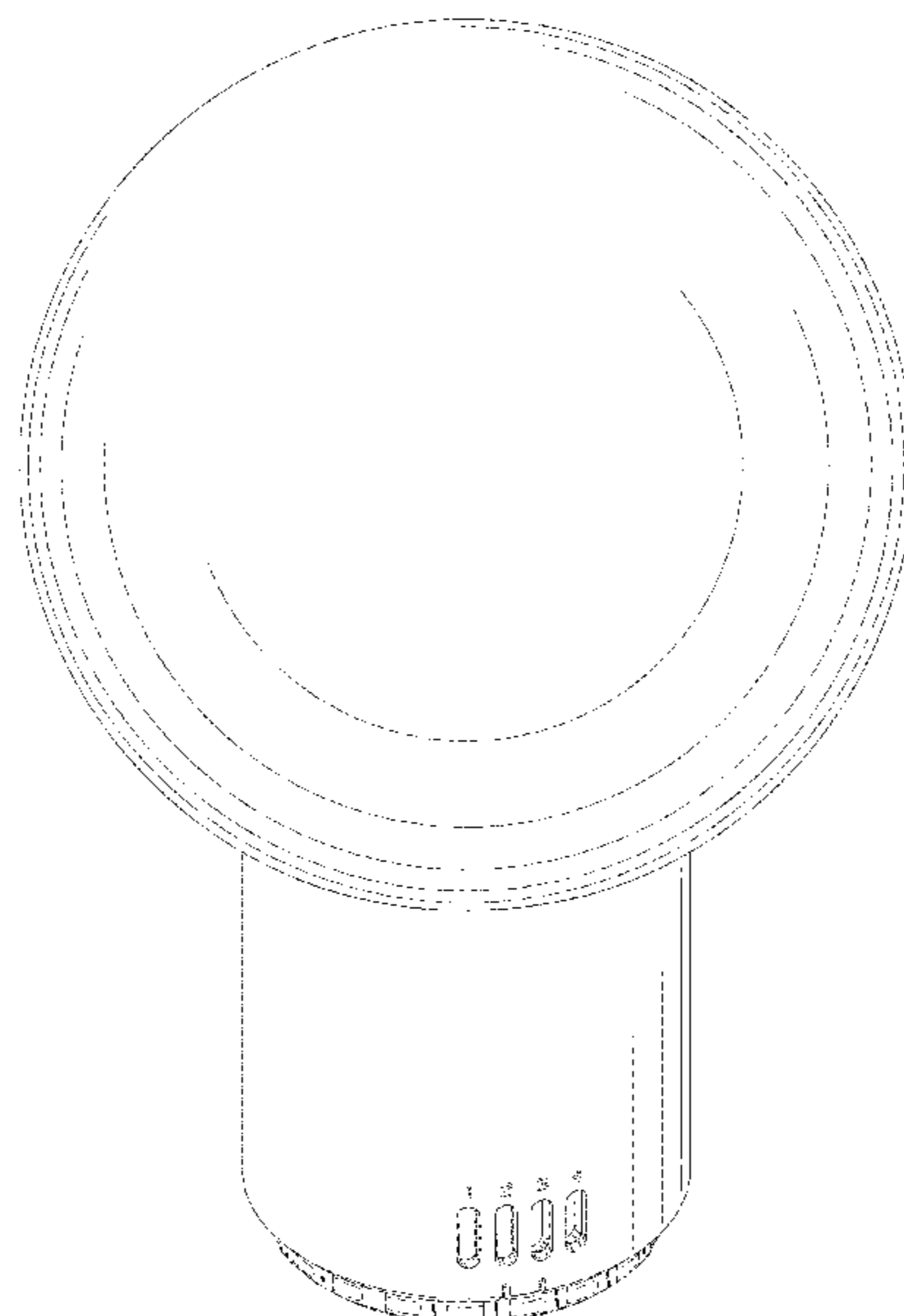
(57) **CLAIM**

The ornamental design for a lamp with a base as shown and described.

DESCRIPTION

FIG. 1 is a top perspective view of the first embodiment of a lamp with a base;
FIG. 2 is a bottom perspective view thereof;
FIG. 3 is a front view thereof;
FIG. 4 is a back view thereof;
FIG. 5 is a right side view thereof;
FIG. 6 is a left side view thereof;
FIG. 7 is a top view thereof;
FIG. 8 is a bottom view thereof;
FIG. 9 is a bottom perspective view with the dial in a first exemplary position;
FIG. 10 is a bottom perspective view with the dial in a second exemplary position;
FIG. 11 is an exploded, bottom perspective;
FIG. 12 is a top perspective view of a second embodiment of a lamp with a base; and,
FIG. 13 is a bottom perspective view thereof.
Broken lines are for illustrative purpose only and form no part of the claimed design.

1 Claim, 13 Drawing Sheets



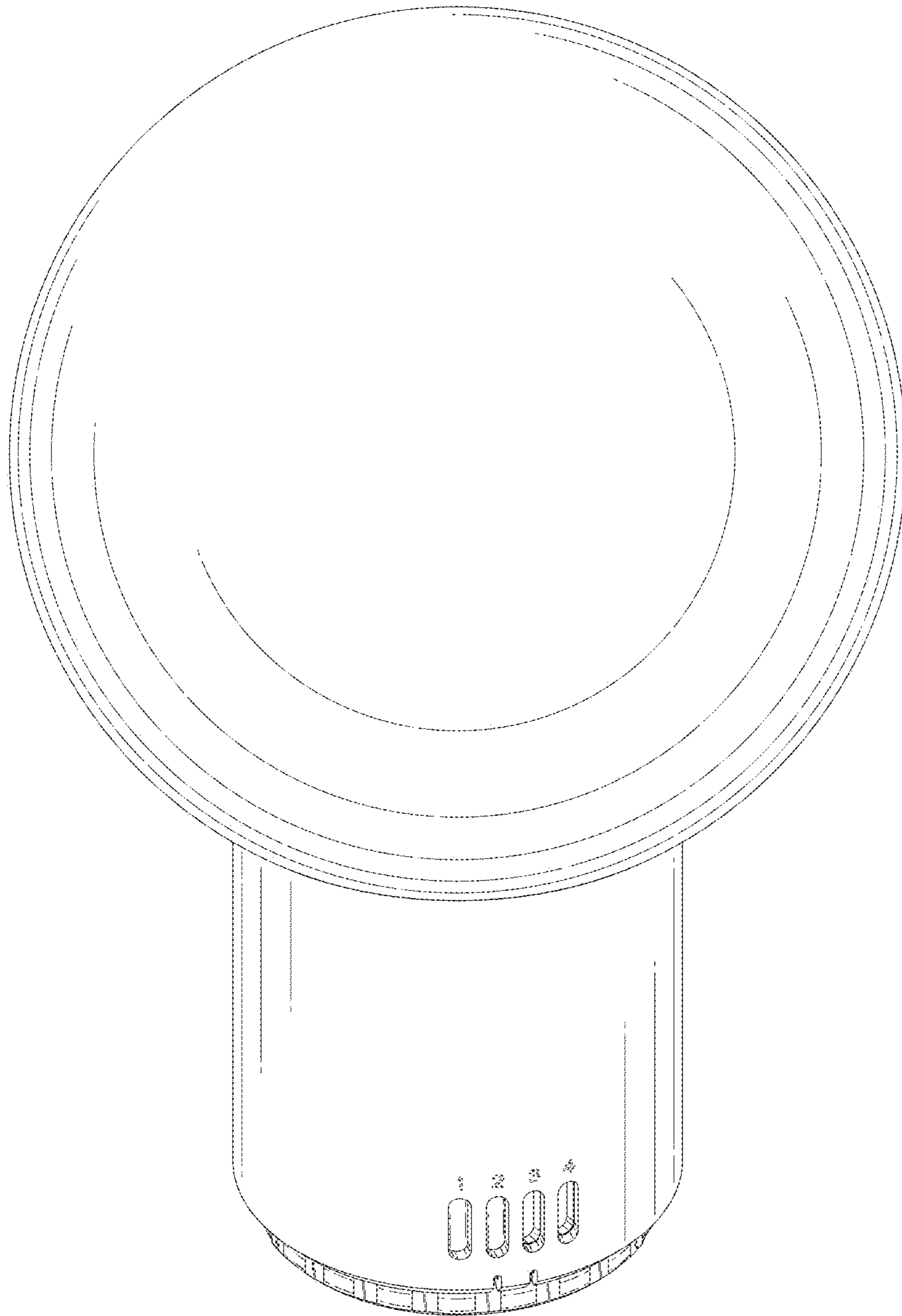


FIG.1

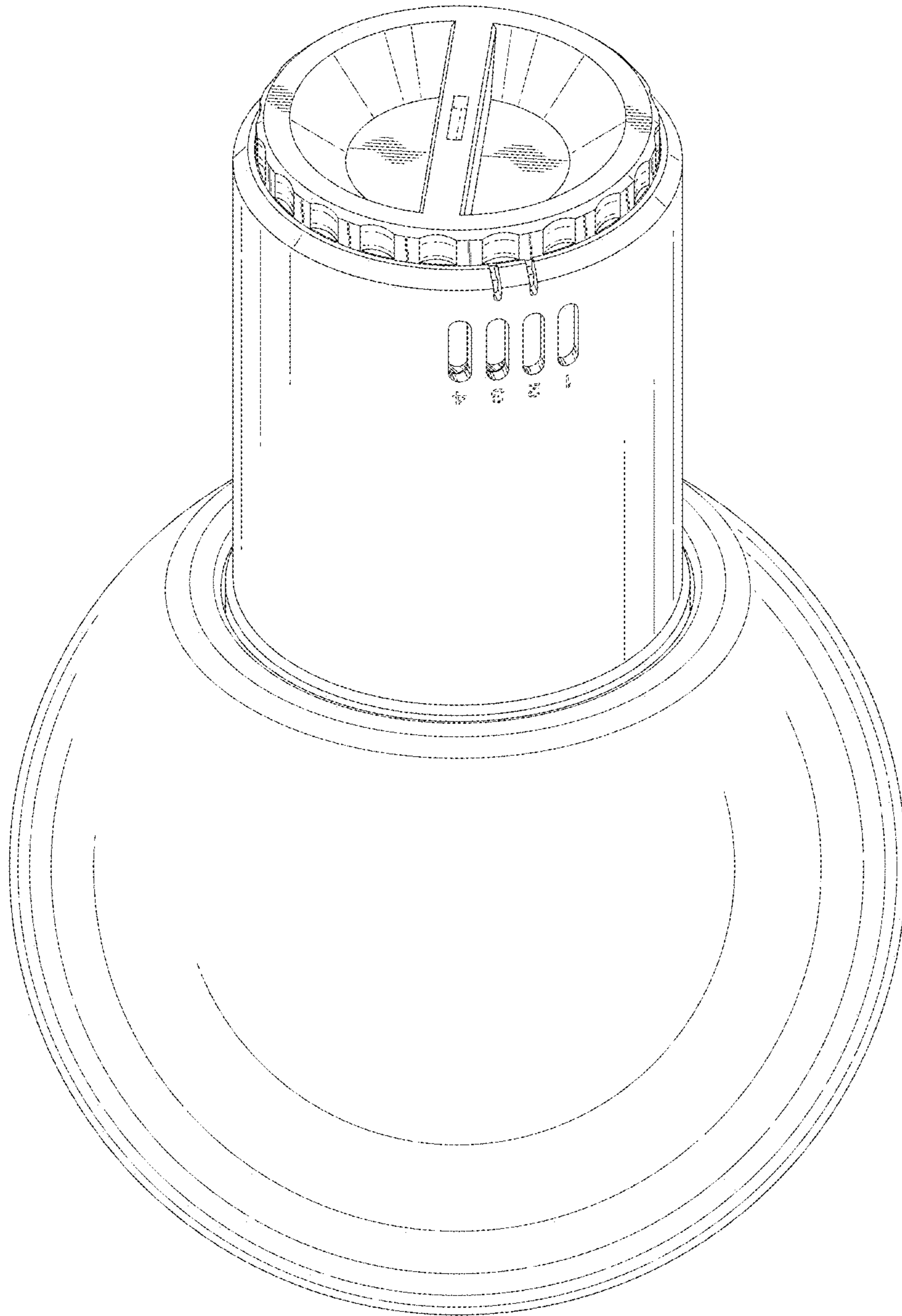


FIG.2

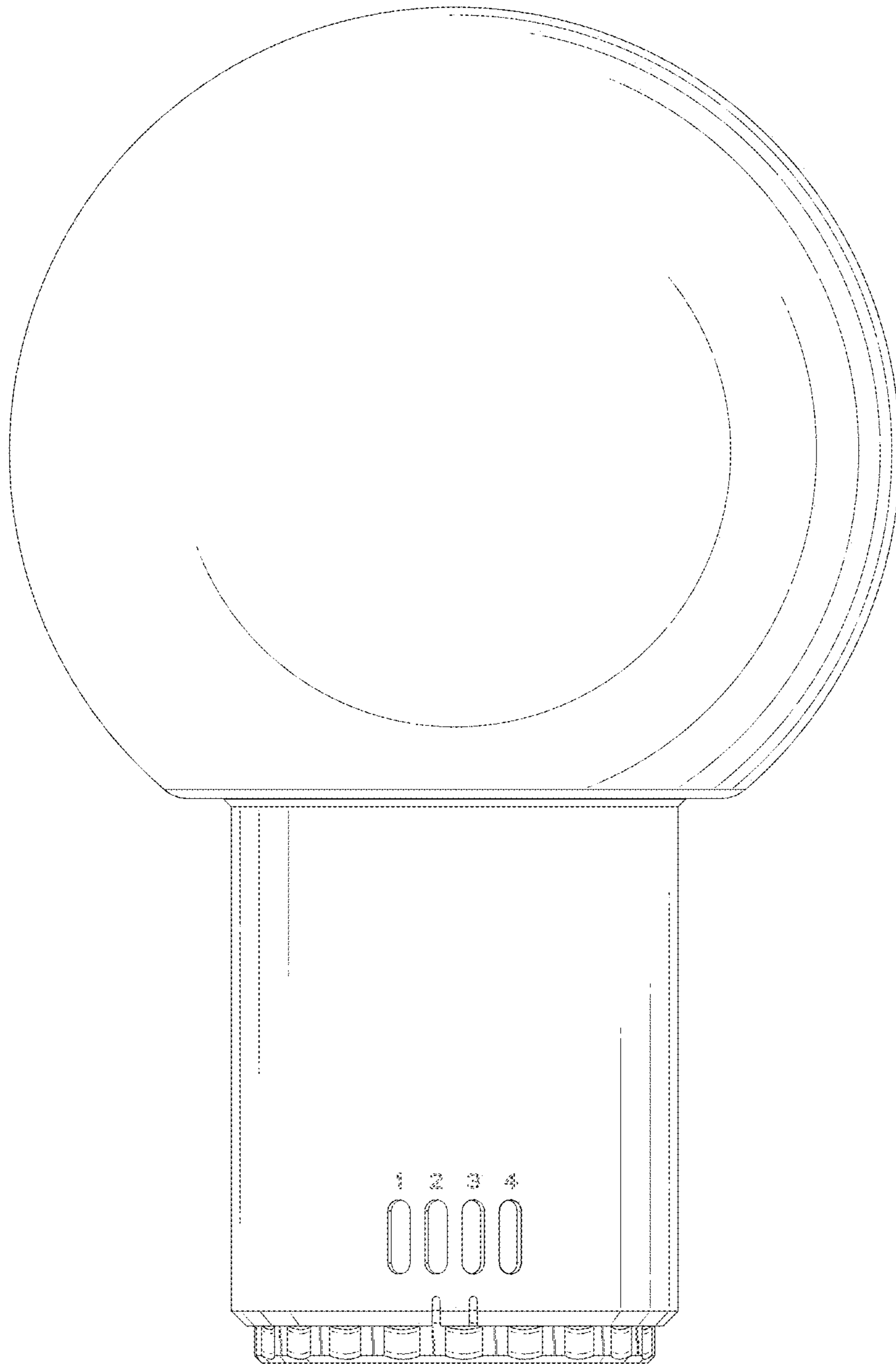


FIG.3

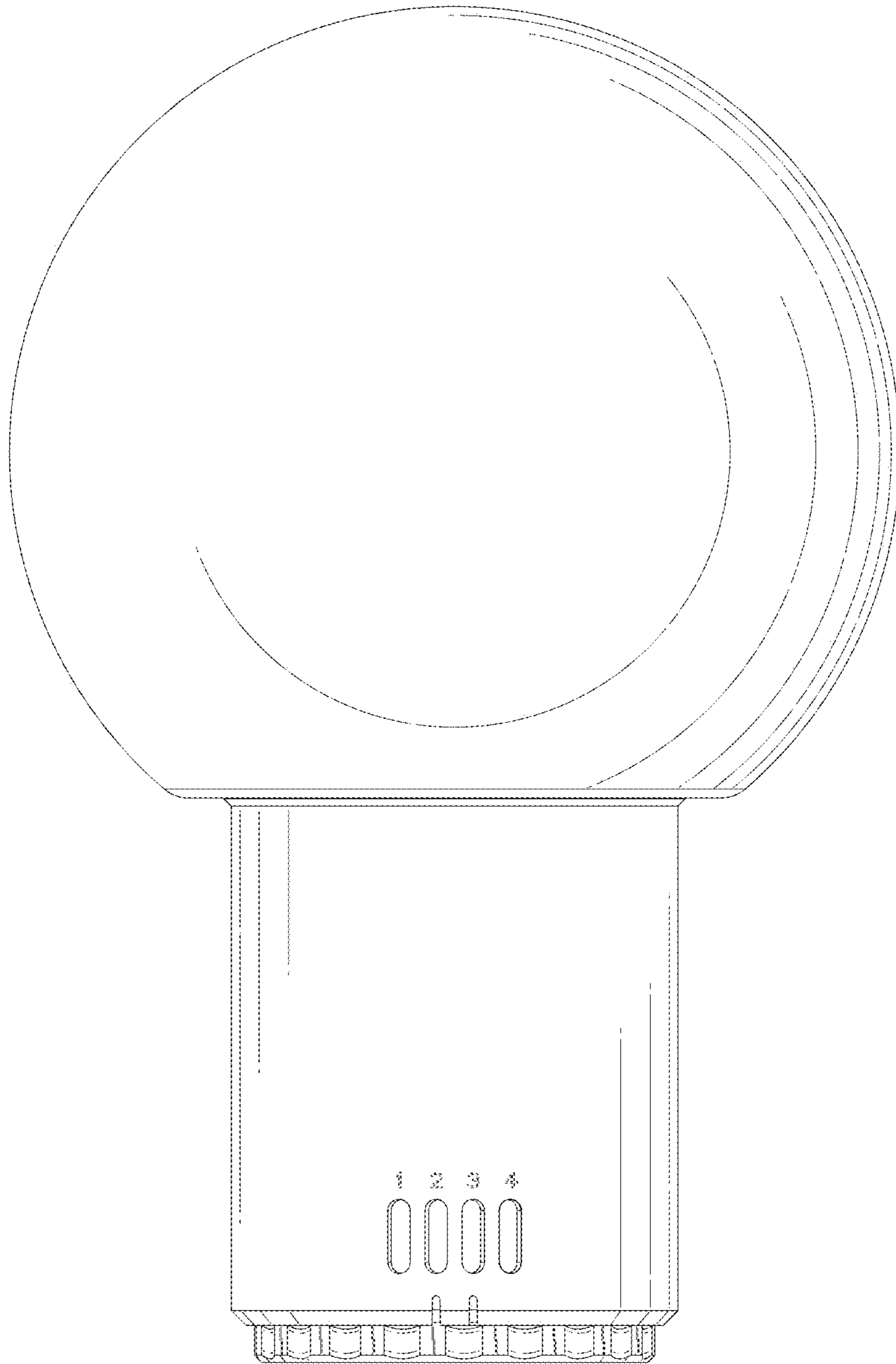


FIG.4

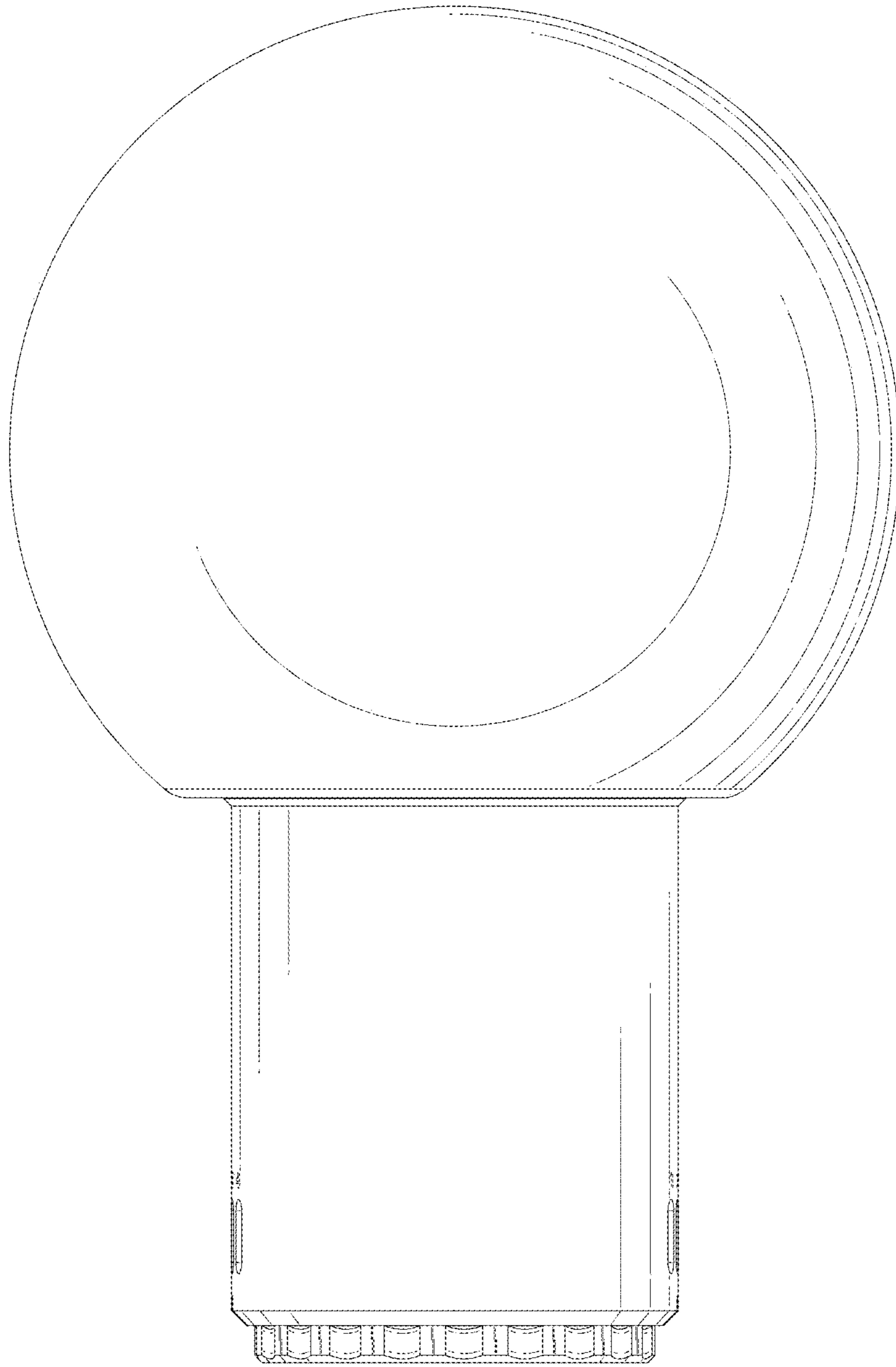


FIG.5

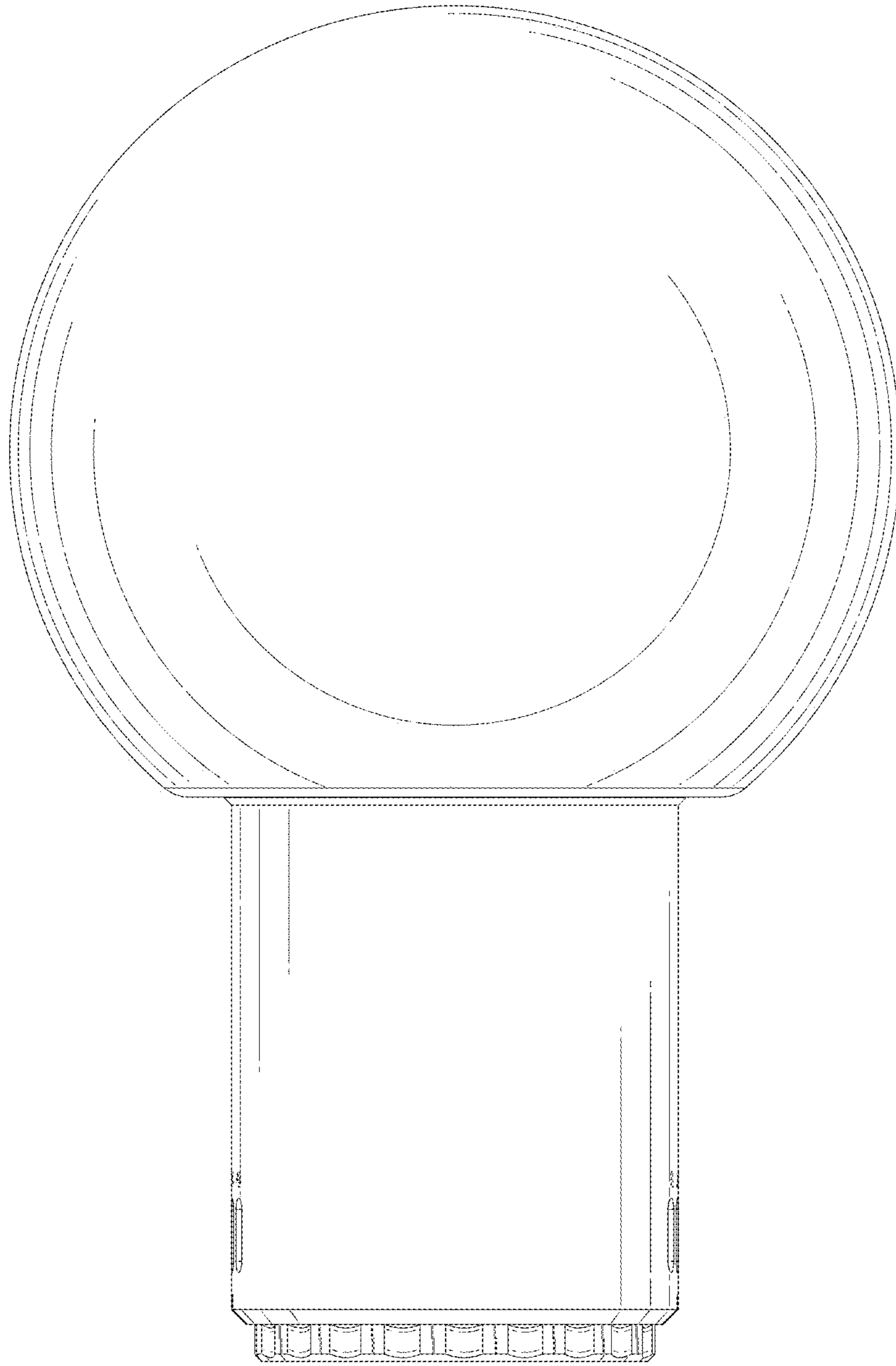


FIG.6

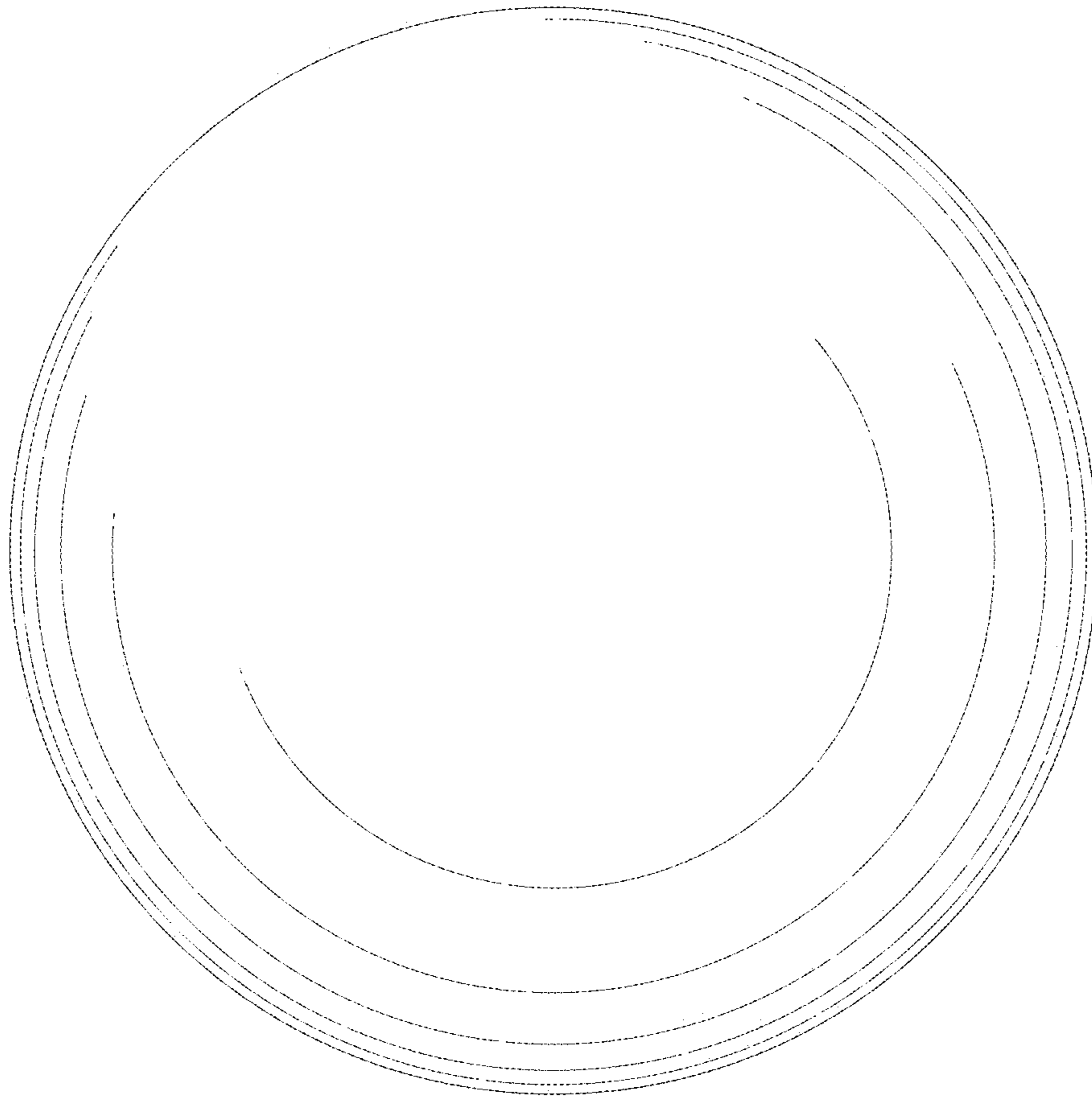


FIG.7

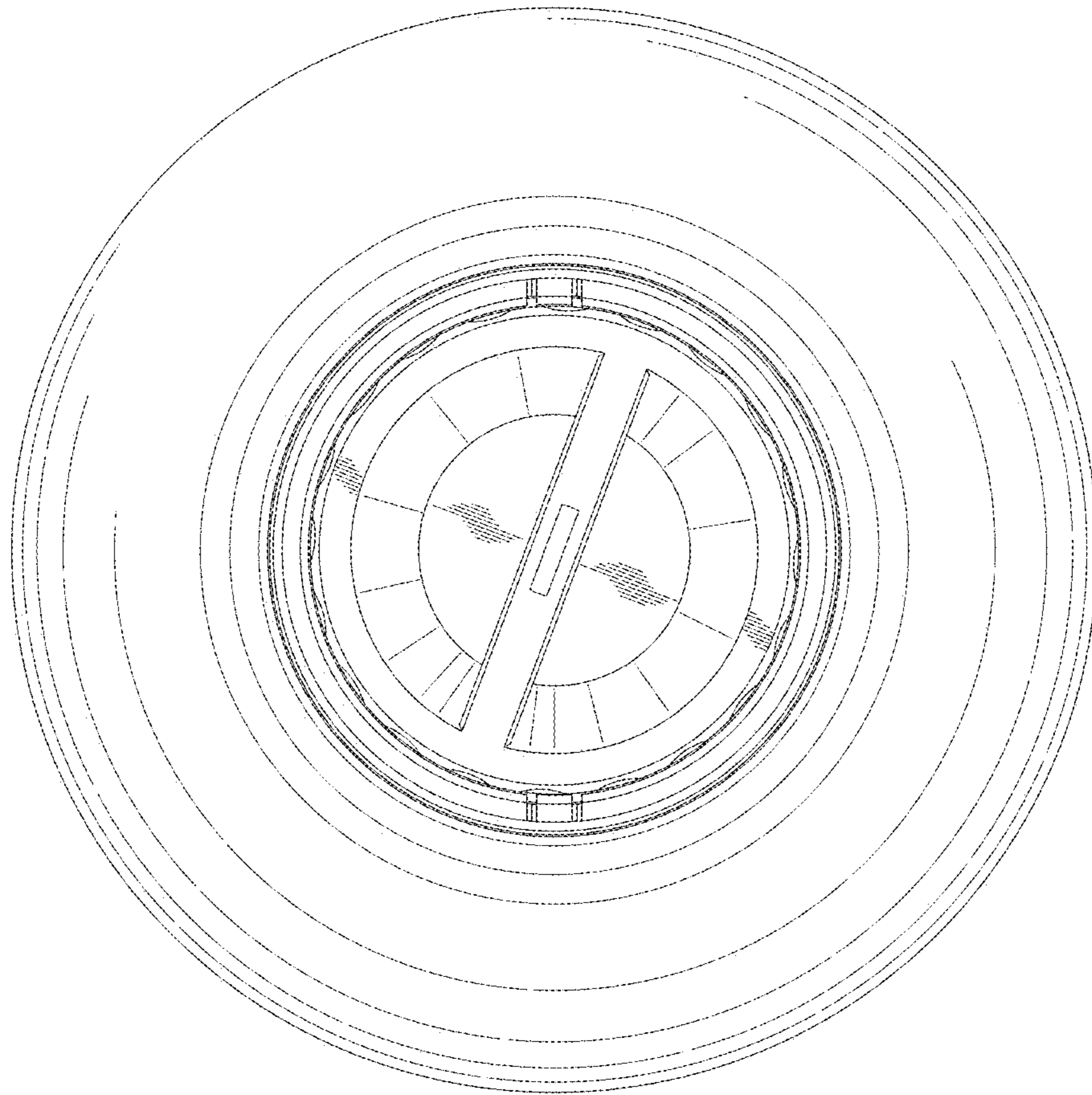


FIG. 8

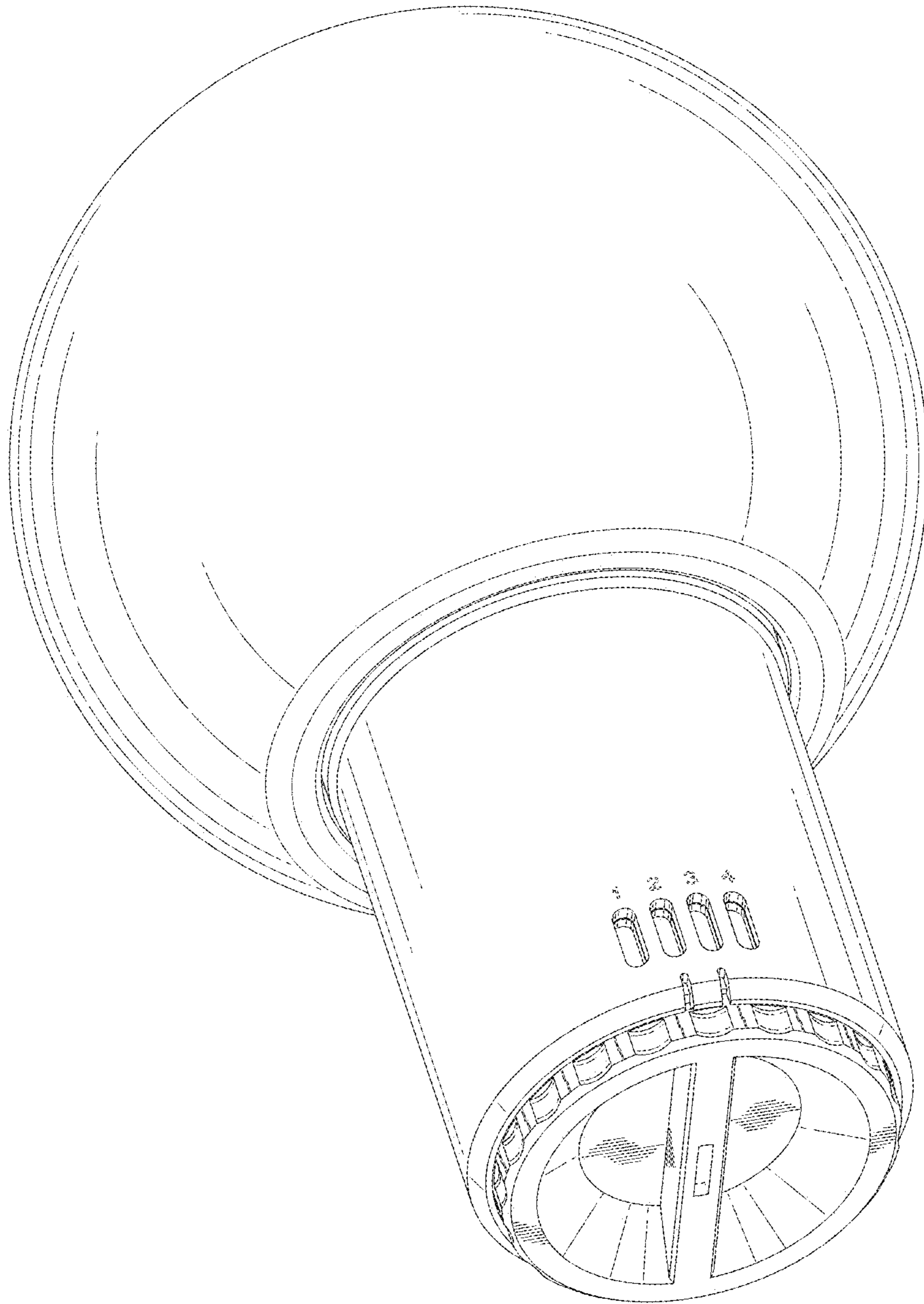


FIG.9

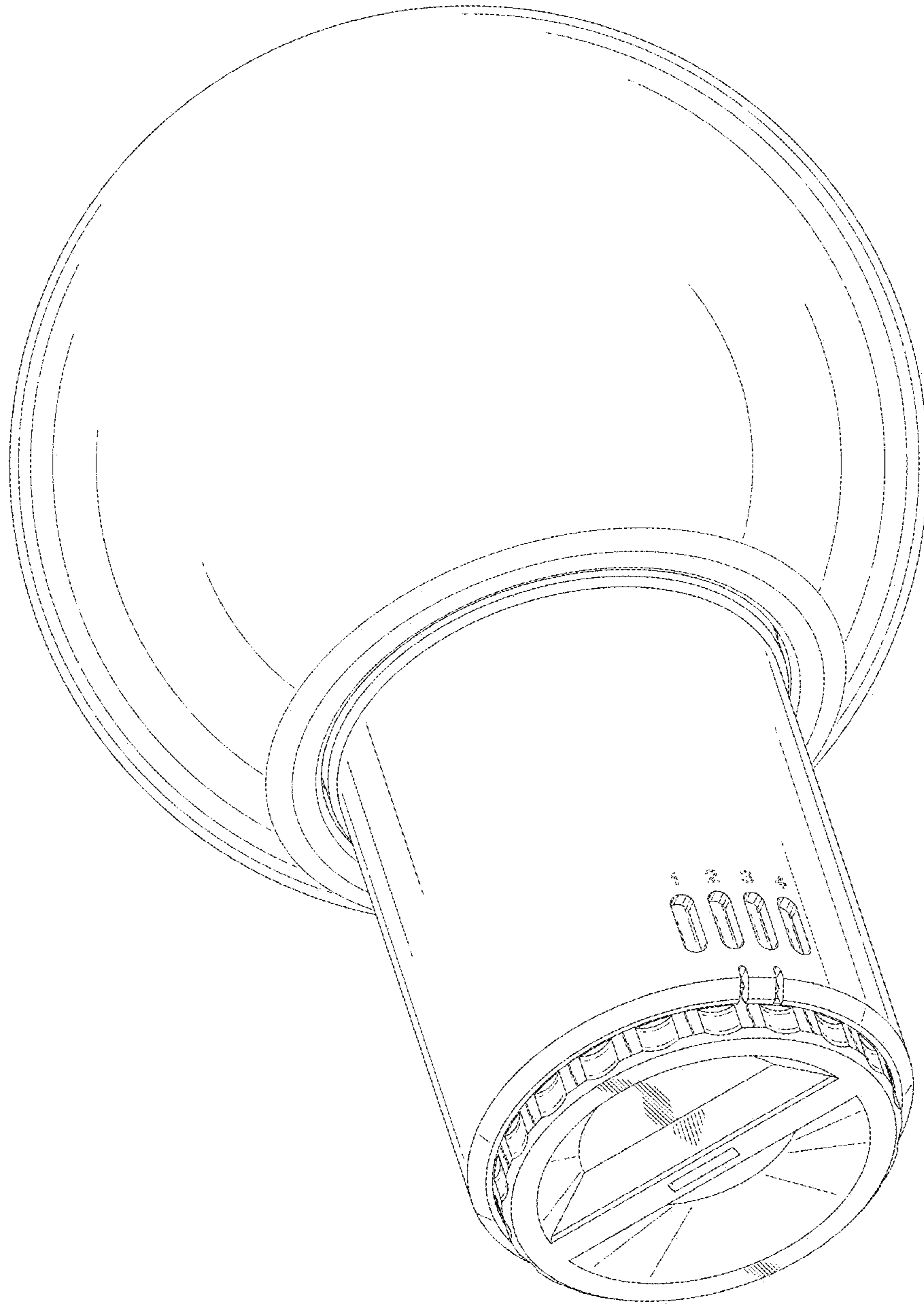


FIG.10

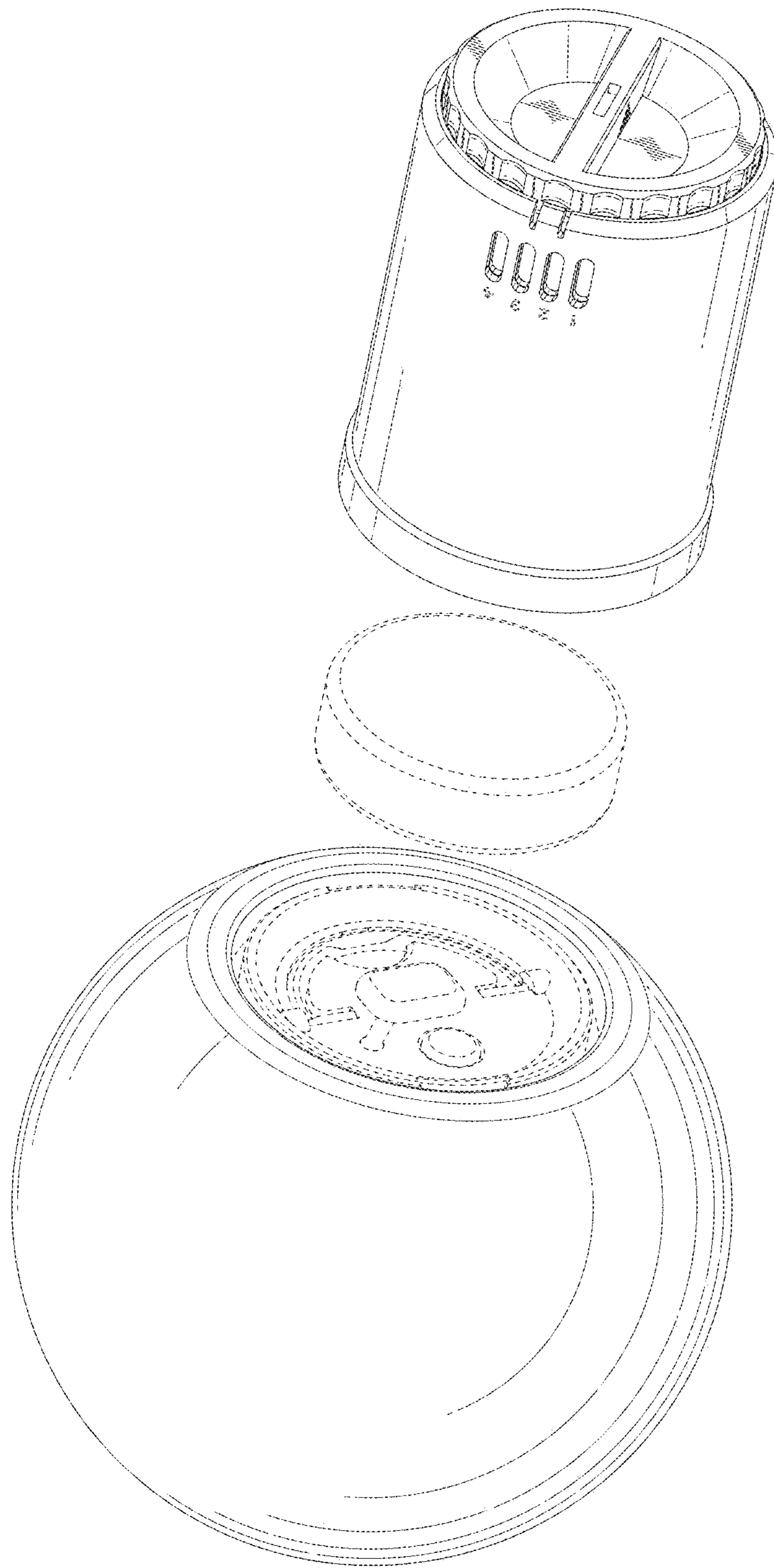


FIG.11

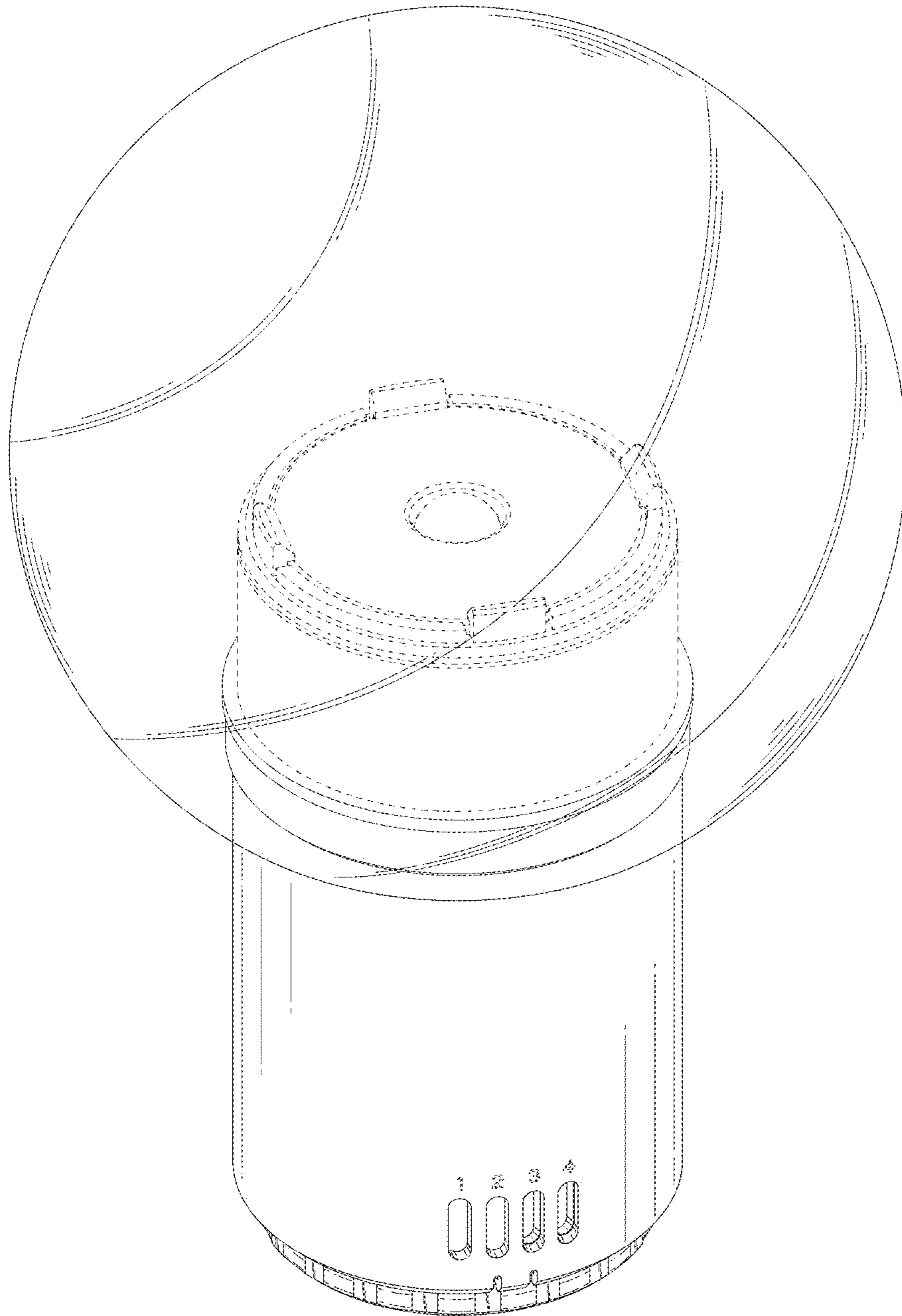


FIG.12

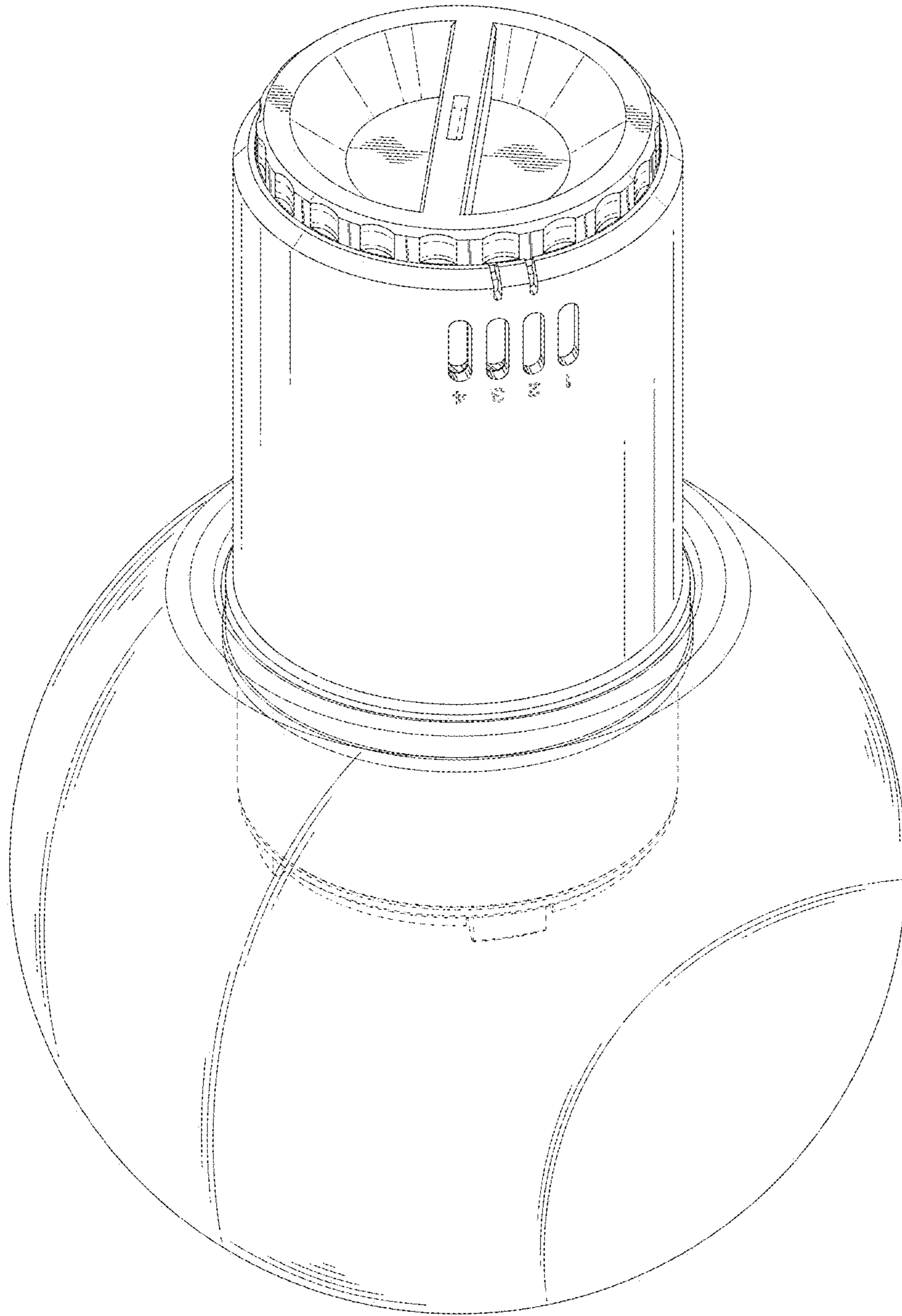


FIG.13