



US0D1050515S

(12) **United States Design Patent** (10) **Patent No.:** **US D1,050,515 S**
Li (45) **Date of Patent:** **** Nov. 5, 2024**

(54) **FLASHLIGHT**

(71) Applicant: **Haiyan Li**, Linzhou (CN)

(72) Inventor: **Haiyan Li**, Linzhou (CN)

(**) Term: **15 Years**

(21) Appl. No.: **29/897,846**

(22) Filed: **Jul. 19, 2023**

(51) **LOC (14) Cl.** **26-02**

(52) **U.S. Cl.**
USPC **D26/49**

(58) **Field of Classification Search**
USPC D26/24, 37-52; D22/117
CPC ... F21Y 2115/10; F21Y 2101/00; F21L 4/005;
F21L 4/027; F21V 23/0414
See application file for complete search history.

D1,006,278 S * 11/2023 Li D26/49
D1,009,326 S * 12/2023 Fu D26/49
2014/0190802 A1* 7/2014 Rorick F21V 23/0414
200/60
2024/0219003 A1* 7/2024 Hu F23Q 2/32

* cited by examiner

Primary Examiner — Marissa J. Cash
Assistant Examiner — William B Melliar
(74) *Attorney, Agent, or Firm* — Daniel M. Cohn;
Howard M. Cohn

(57) **CLAIM**

The ornamental design for a flashlight as shown and described.

DESCRIPTION

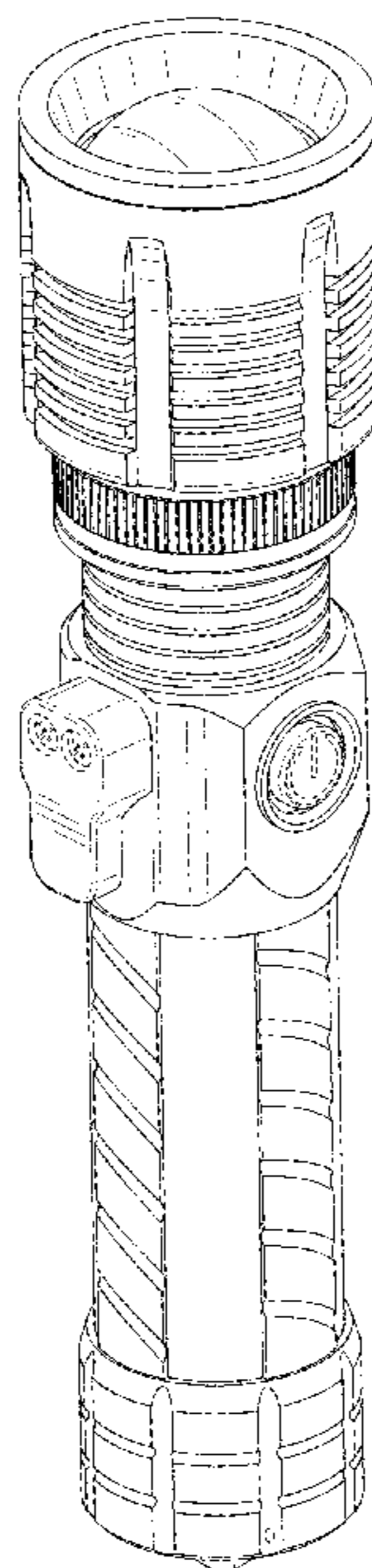
FIG. 1 is a perspective view of a flashlight, showing my new design;
FIG. 2 is another perspective view thereof;
FIG. 3 is a front elevational view thereof;
FIG. 4 is a rear elevational view thereof;
FIG. 5 is a left side elevational view thereof;
FIG. 6 is a right side elevational view thereof;
FIG. 7 is a top plan view thereof;
FIG. 8 is a bottom plan view thereof;
FIG. 9 is an enlarged view of portion 9 shown in FIG. 2; and,
FIG. 10 is an enlarged view of portion 10 shown in FIG. 2.
The broken lines in the drawings depict portions of the flashlight that form no part of the claimed design. The dot-dash broken lines surrounding the enlarged portions in FIGS. 9 and 10 are for the purpose of annotating the enlargements only and form no part of the claimed design.

(56) **References Cited**

U.S. PATENT DOCUMENTS

| | | | | | | |
|------------|---|---|---------|----------|-------|--------|
| D429,830 | S | * | 8/2000 | Ting | | D26/37 |
| D522,154 | S | * | 5/2006 | Man | | D26/49 |
| D568,515 | S | * | 5/2008 | Liu | | D26/49 |
| D577,843 | S | * | 9/2008 | Couture | | D26/49 |
| D629,542 | S | * | 12/2010 | Robinson | | D26/49 |
| D647,232 | S | * | 10/2011 | Liu | | D26/49 |
| D656,649 | S | * | 3/2012 | Yeh | | D26/46 |
| D671,249 | S | * | 11/2012 | Sheikh | | D26/38 |
| D689,229 | S | * | 9/2013 | Yeh | | D26/49 |
| D716,984 | S | * | 11/2014 | Inskeep | | D26/49 |
| D750,305 | S | * | 2/2016 | Sheikh | | D26/38 |
| D769,496 | S | * | 10/2016 | Inskeep | | D26/49 |
| D882,138 | S | * | 4/2020 | Bao | | D26/49 |
| D964,617 | S | * | 9/2022 | Ma | | D26/37 |
| D972,757 | S | * | 12/2022 | Ma | | D26/49 |
| D973,933 | S | * | 12/2022 | Wu | | D26/37 |
| D998,205 | S | * | 9/2023 | Chen | | D26/49 |
| D1,003,477 | S | * | 10/2023 | Fu | | D26/49 |

1 Claim, 10 Drawing Sheets



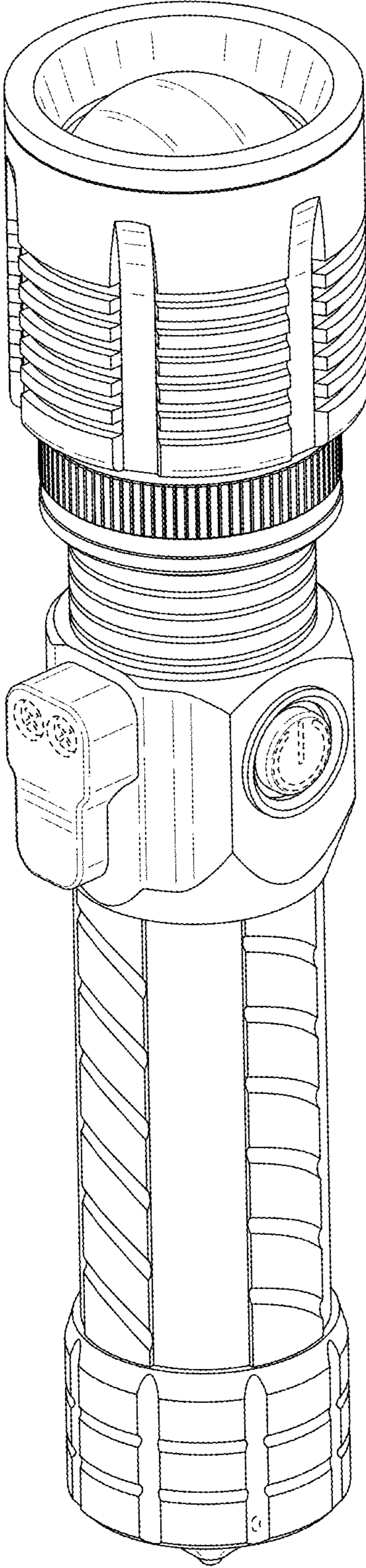


FIG. 1

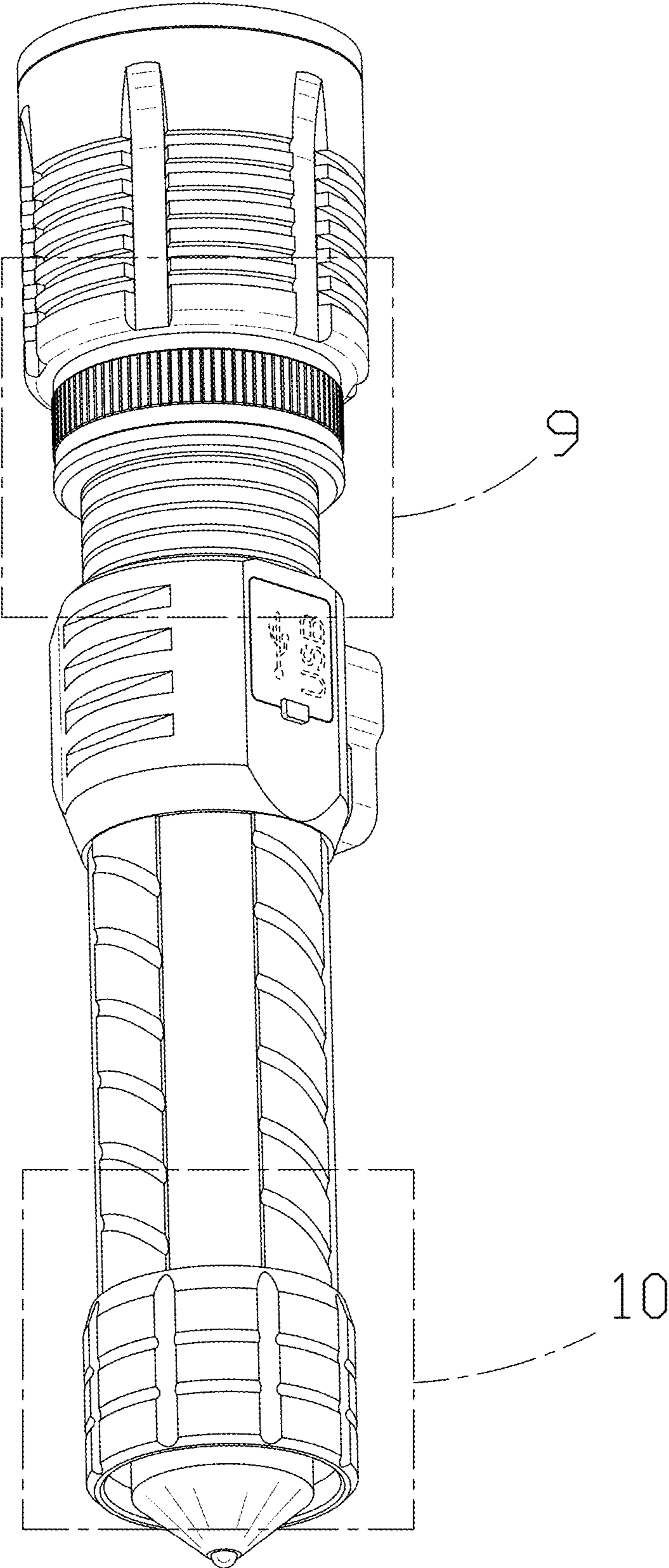


FIG. 2

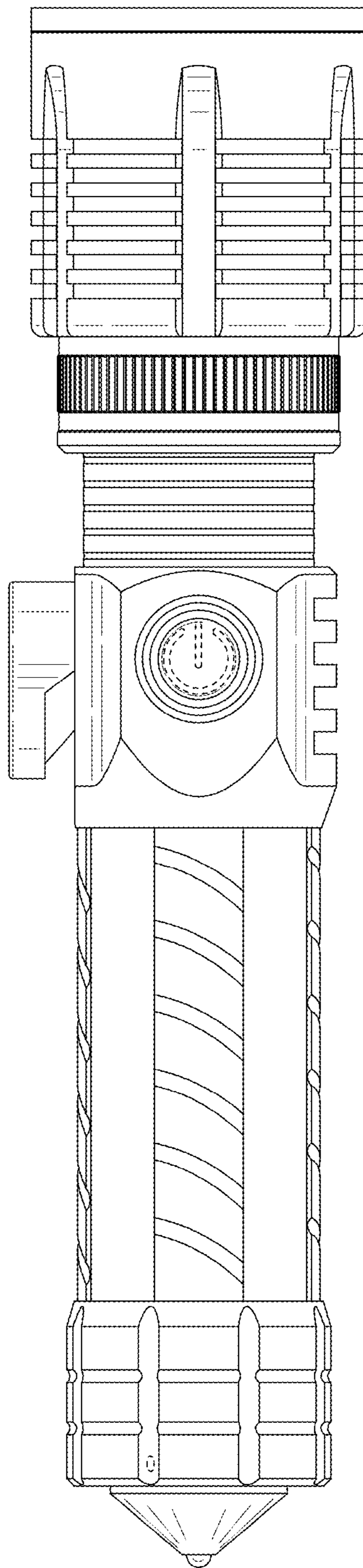


FIG. 3

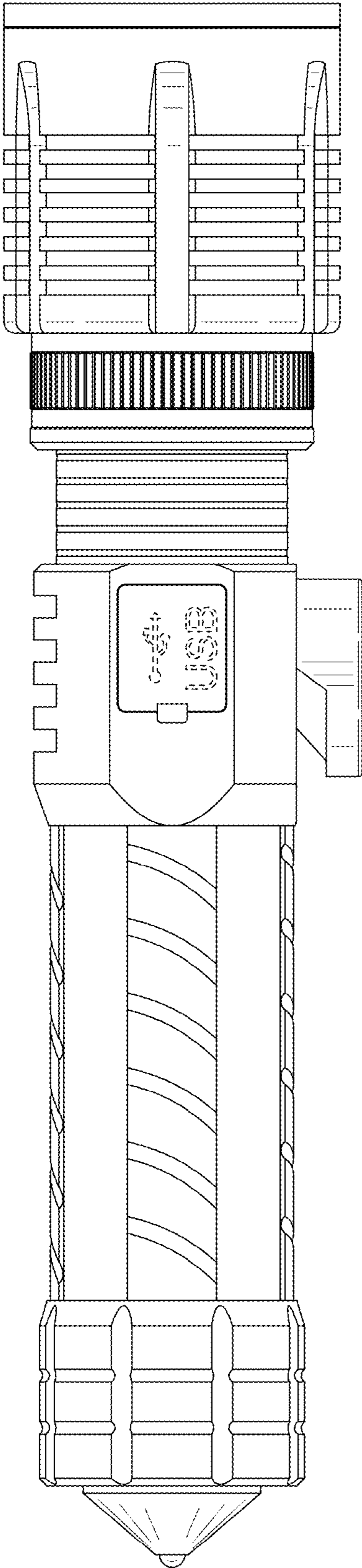


FIG. 4

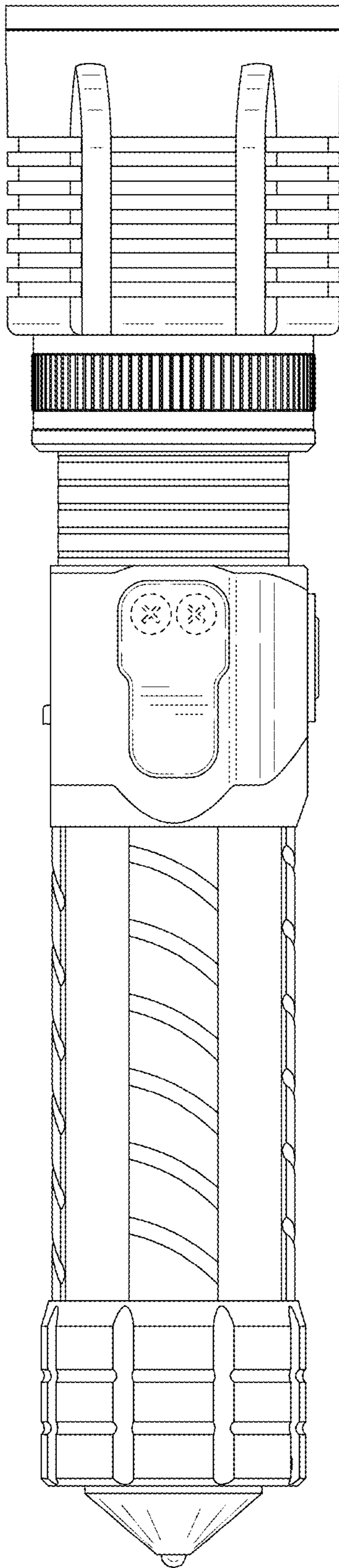


FIG. 5

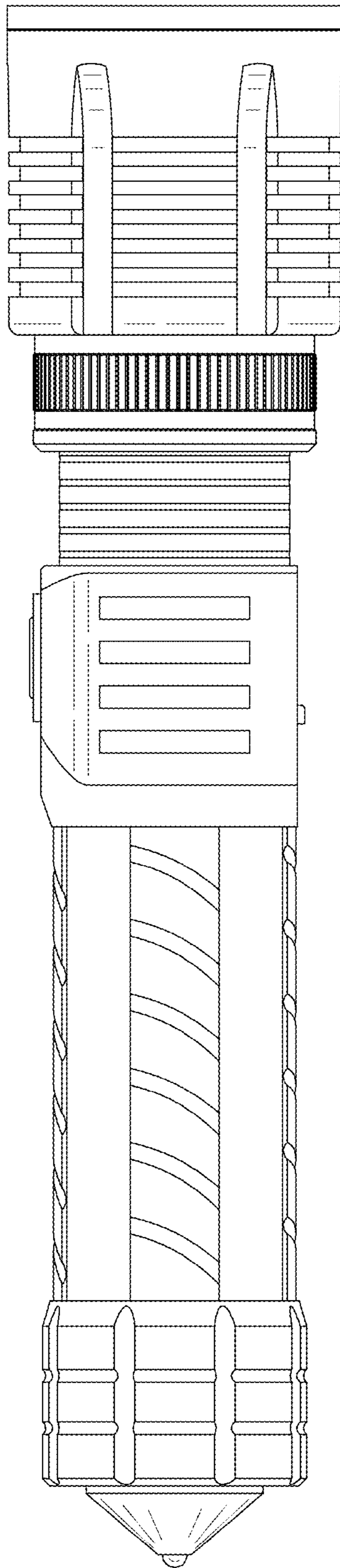


FIG. 6

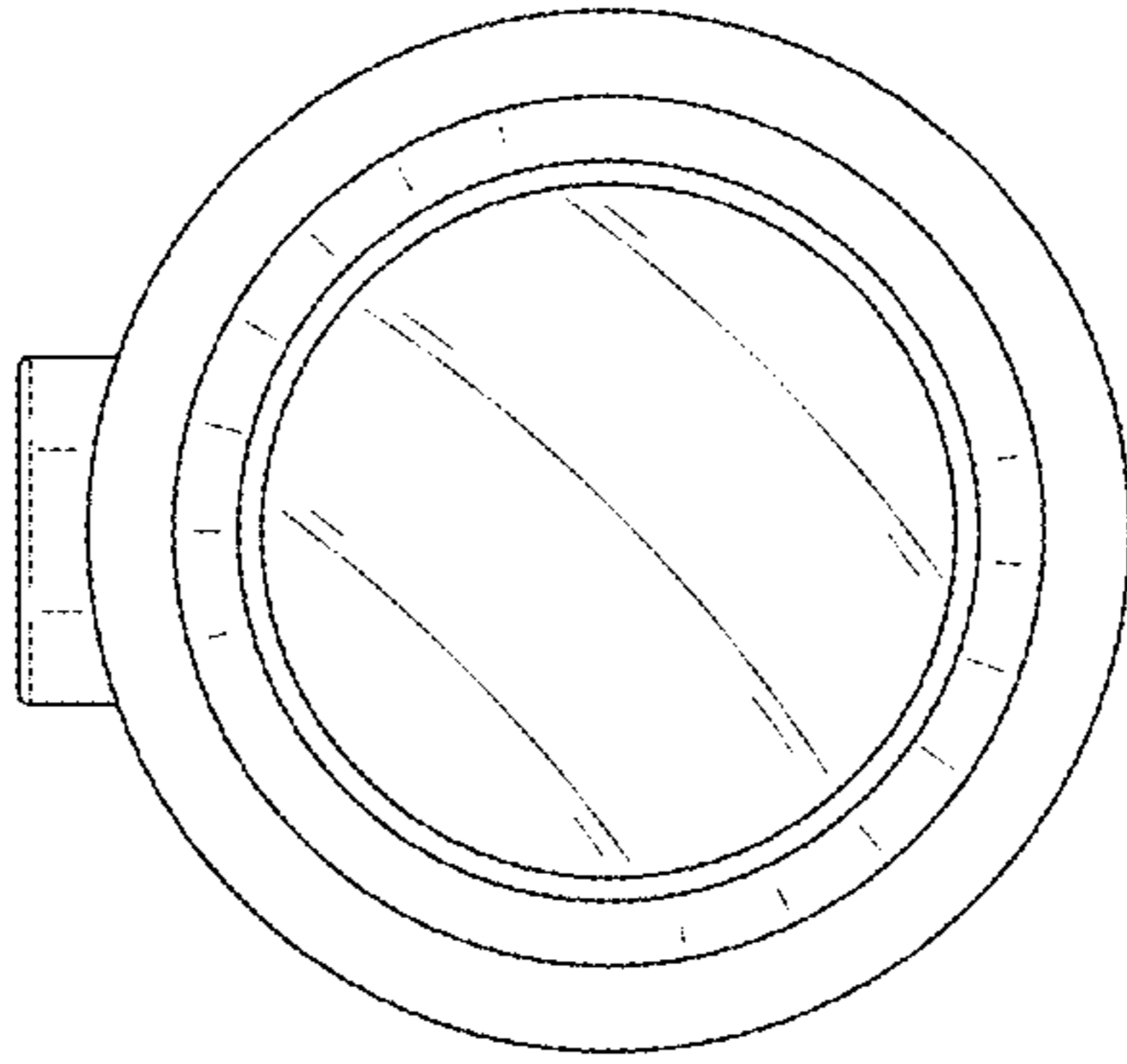


FIG. 7

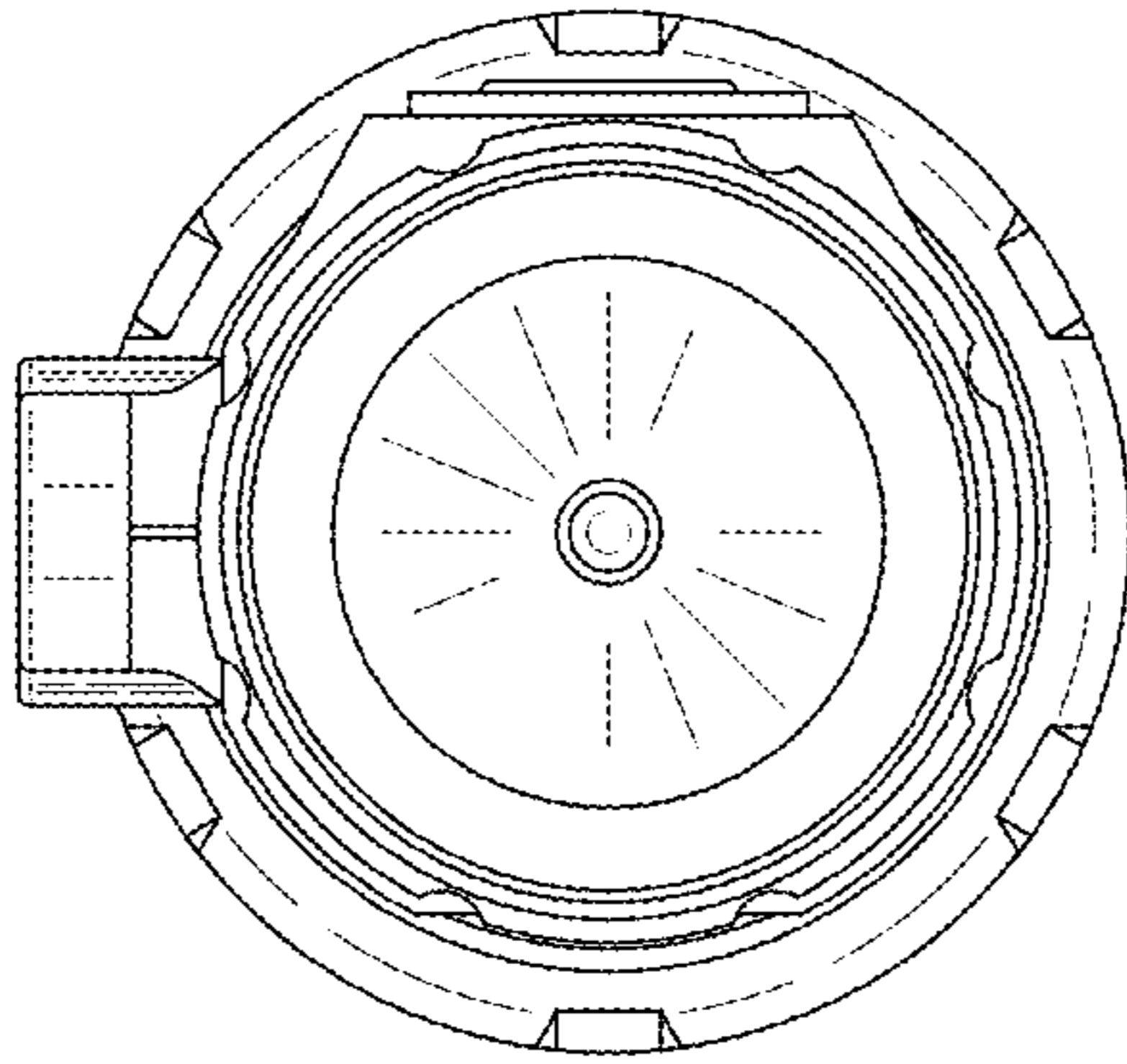


FIG. 8

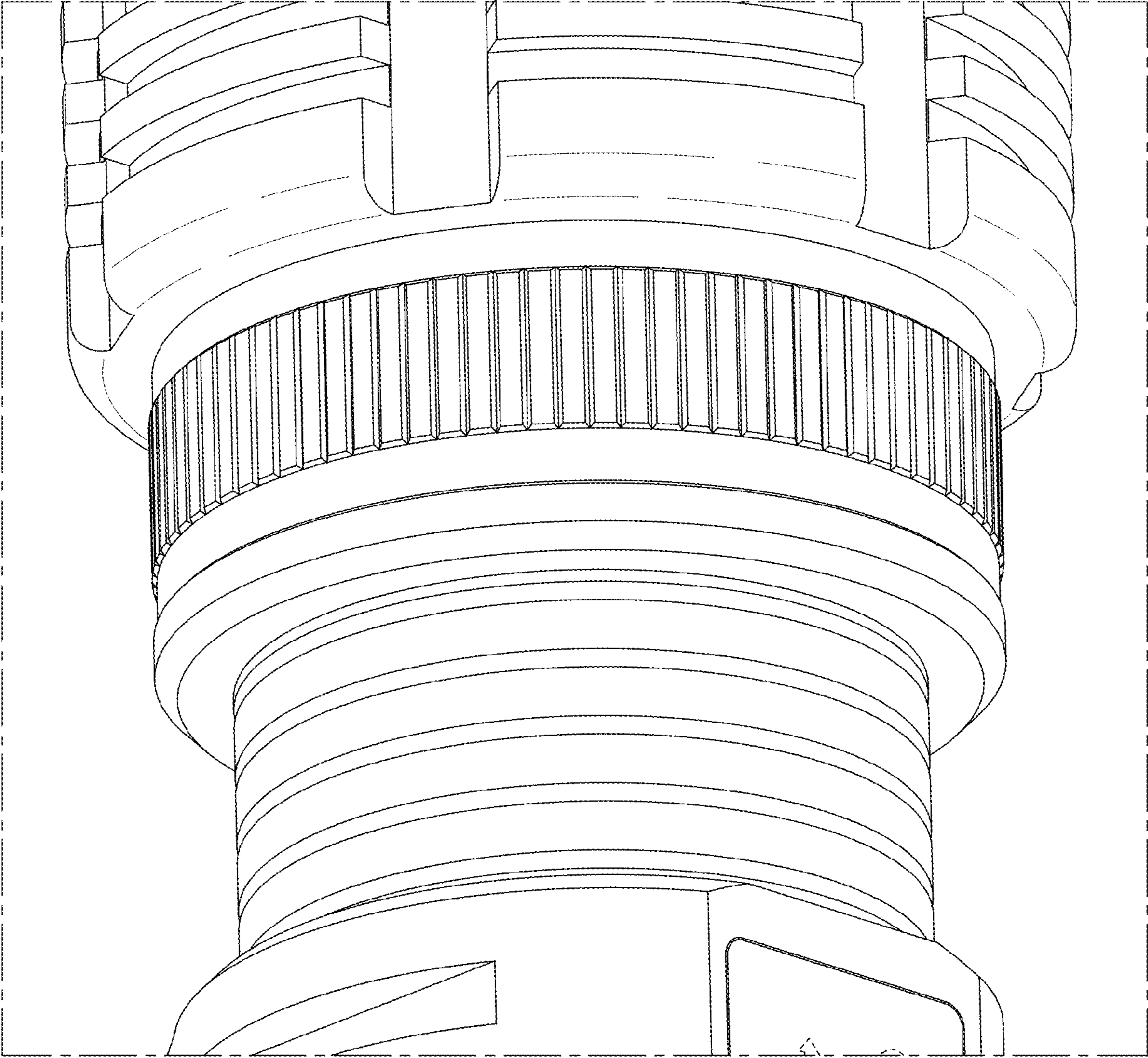


FIG. 9

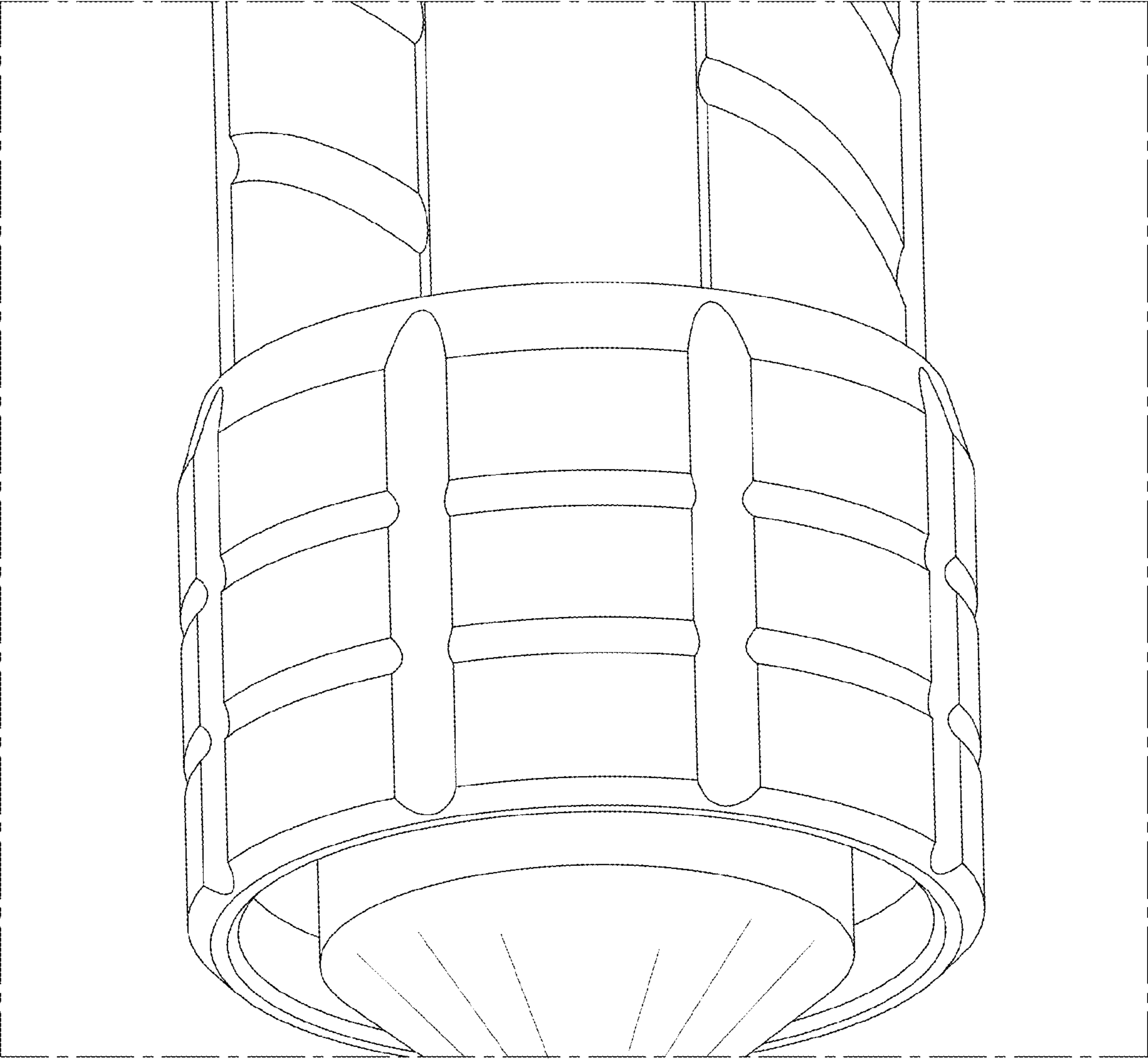


FIG. 10