



US0D1050412S

(12) **United States Design Patent** (10) **Patent No.:** **US D1,050,412 S**
Liu (45) **Date of Patent:** **** Nov. 5, 2024**

(54) **EAR IRRIGATION EQUIPMENT**
(71) Applicant: **Shenzhen Ruihai Medical Equipment Co., Ltd**, Shenzhen (CN)
(72) Inventor: **Kang Liu**, Shenzhen (CN)
(**) Term: **15 Years**
(21) Appl. No.: **29/858,315**
(22) Filed: **Oct. 31, 2022**
(51) **LOC (14) Cl.** **24-02**
(52) **U.S. Cl.**
USPC **D24/108**
(58) **Field of Classification Search**
USPC D24/107, 108, 111, 112, 113, 117, 121, D24/127, 133, 137, 138, 151, 231
CPC A61B 1/12; A61B 1/227; A61M 1/00; A61M 1/71; A61M 1/77; A61M 1/80; A61M 31/00; A61M 2206/00; A61M 2206/07; A61M 2210/0662; A61M 2210/0668
See application file for complete search history.

2013/0123701 A1* 5/2013 Hernandez Chafes A61M 3/0262
604/135
2022/0062054 A1* 3/2022 Merz A61F 11/006
2022/0203018 A1* 6/2022 Zhang A61M 3/0258
2023/0013619 A1* 1/2023 Liu A61M 3/0245

FOREIGN PATENT DOCUMENTS

EM 015001667-0001 * 11/2022

OTHER PUBLICATIONS

Ear Wax Removal. Online. May 7, 2022. Retrieved Jun. 12, 2024 from URL: <https://www.amazon.com.au/Ear-Wax-Removal-XASCO-Cleaner-Nourishing/dp/B0BPPGWRHH> (Year: 2022).*

* cited by examiner

Primary Examiner — Omeed Agilee
Assistant Examiner — Michael Hoffman
(74) *Attorney, Agent, or Firm* — Daniel M. Cohn; Howard M. Cohn

(57) **CLAIM**

The ornamental design for an ear irrigation equipment as shown and described.

DESCRIPTION

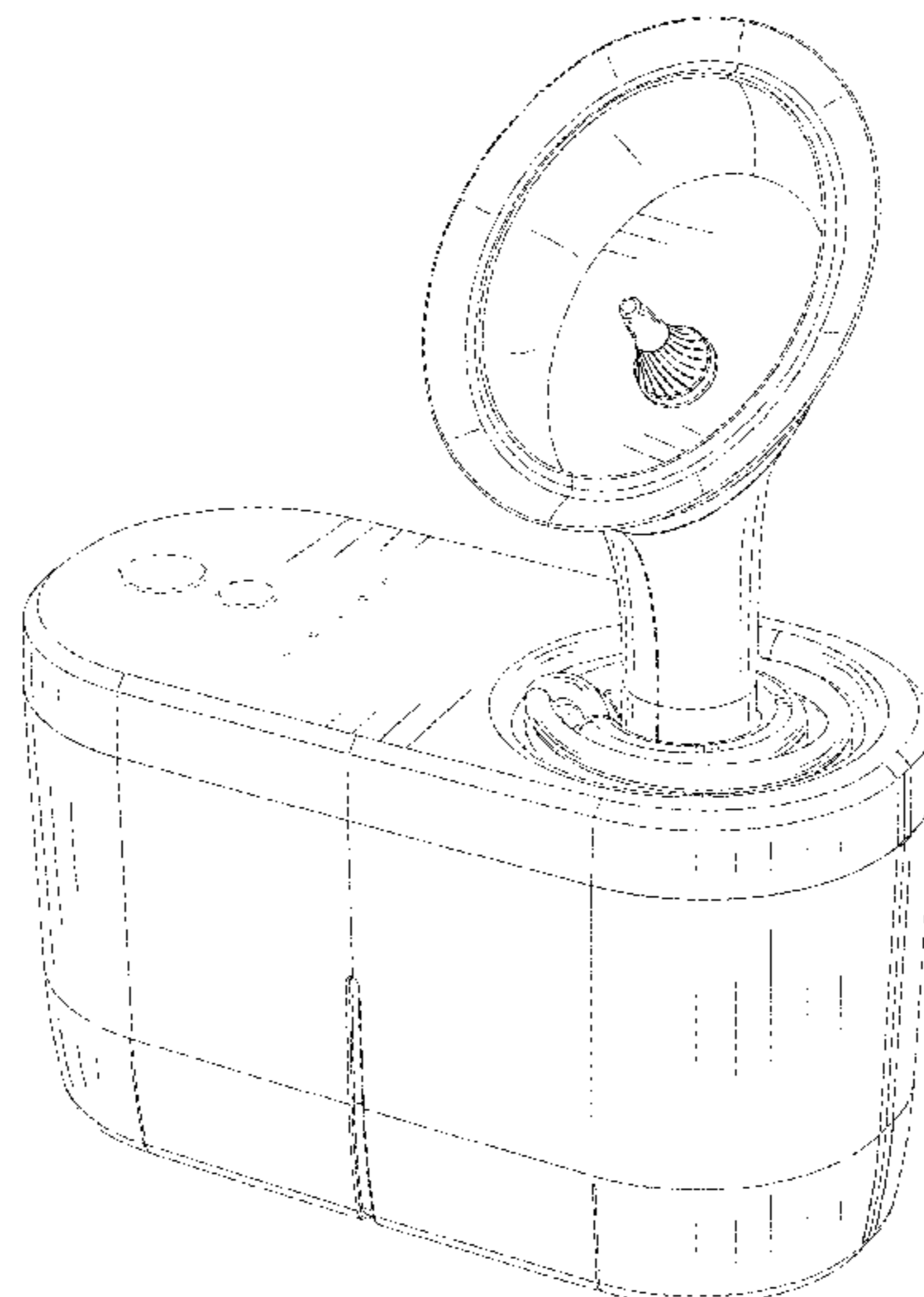
FIG. 1 is a front view of an ear irrigation equipment showing my new design;
FIG. 2 is back view thereof;
FIG. 3 is a left view thereof;
FIG. 4 is a right view thereof;
FIG. 5 is a bottom view thereof;
FIG. 6 is a top plan view thereof;
FIG. 7 is a perspective view thereof; and,
FIG. 8 is another perspective view of an ear irrigation equipment as shown.
The broken lines shown in the drawings depict portions of the ear irrigation equipment that form no part of the claimed design.

(56) **References Cited**

U.S. PATENT DOCUMENTS

5,170,779 A * 12/1992 Ginsberg A61M 3/0208
601/161
5,527,275 A * 6/1996 Ginsberg A61M 3/0216
604/38
5,662,605 A * 9/1997 Hurwitz A61M 3/022
604/150
5,916,150 A * 6/1999 Sillman A61B 10/06
600/184
D542,910 S 5/2007 MacRae et al.
D573,250 S * 7/2008 MacRae D24/112
D994,120 S * 8/2023 Li D24/151
D1,009,267 S * 12/2023 Pardon, Jr. D24/151
D1,024,330 S * 4/2024 Liu D24/111
2012/0059224 A1* 3/2012 Wellen A61B 1/227
600/200

1 Claim, 8 Drawing Sheets



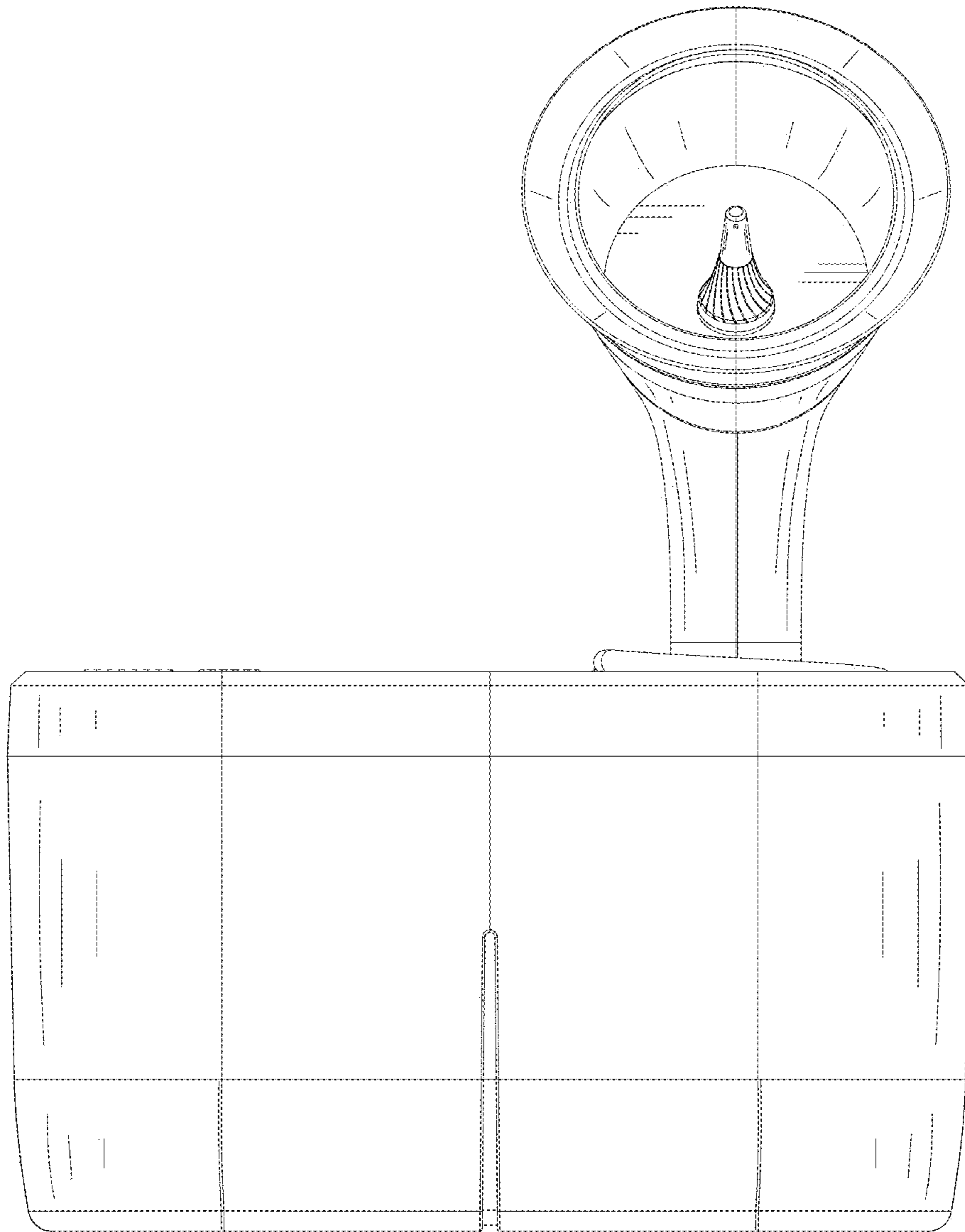


FIG. 1

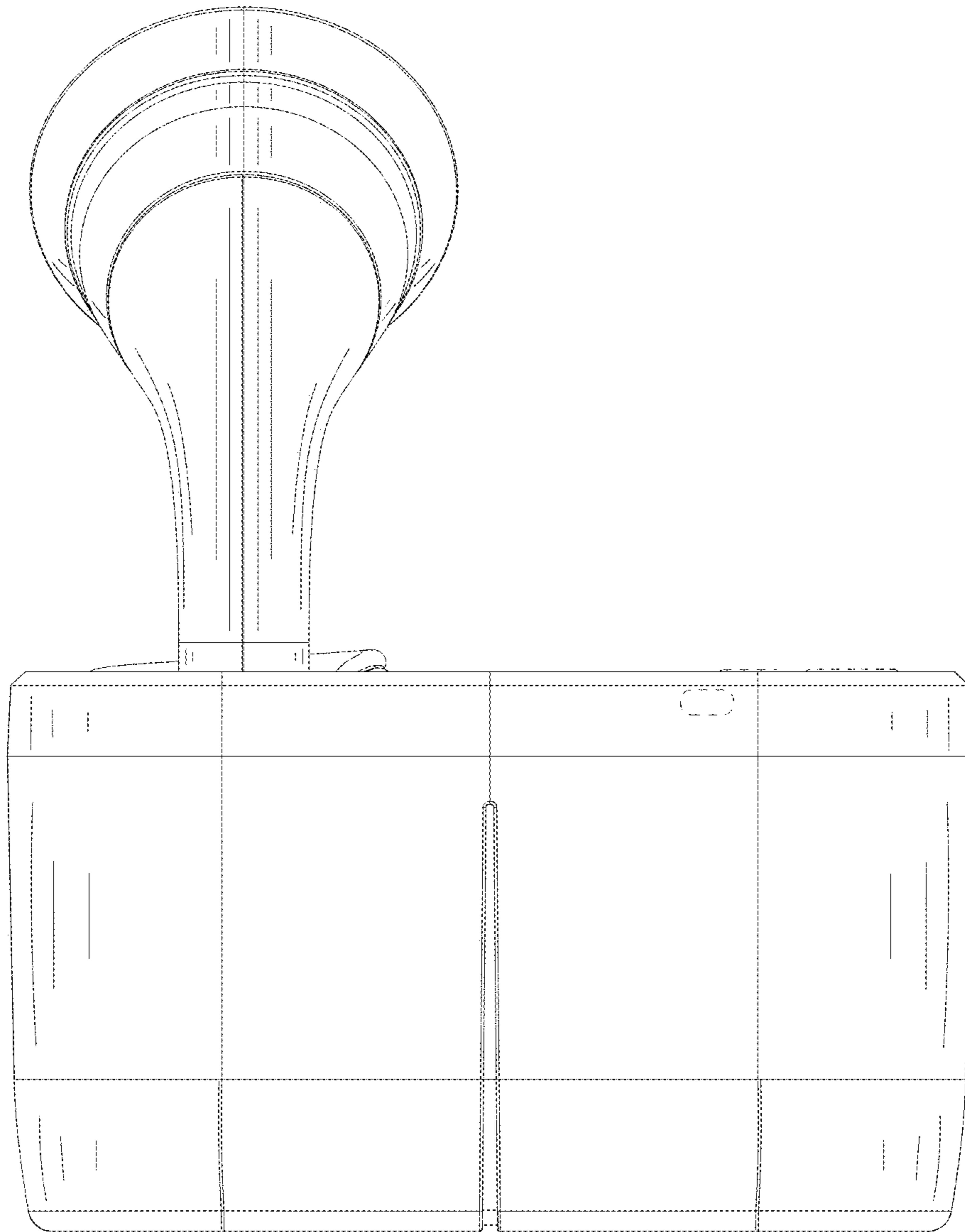


FIG. 2

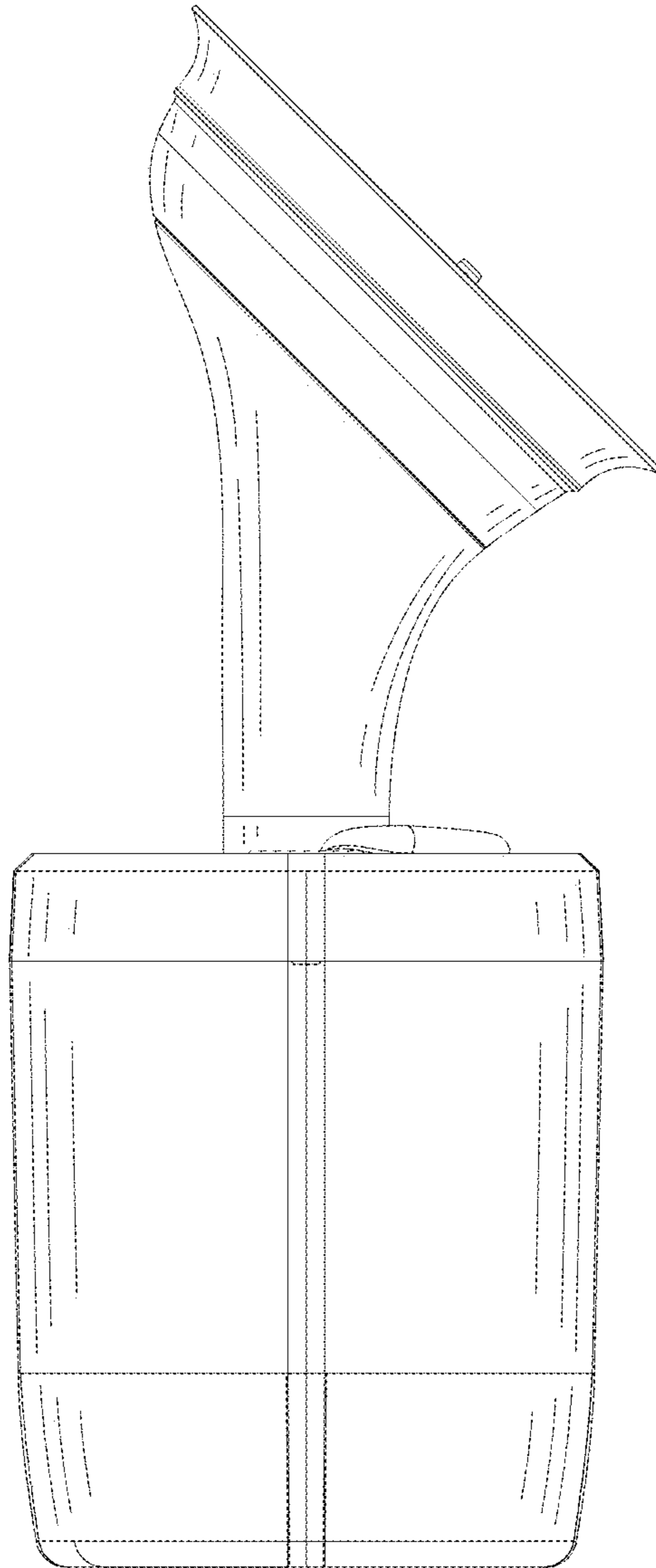


FIG. 3

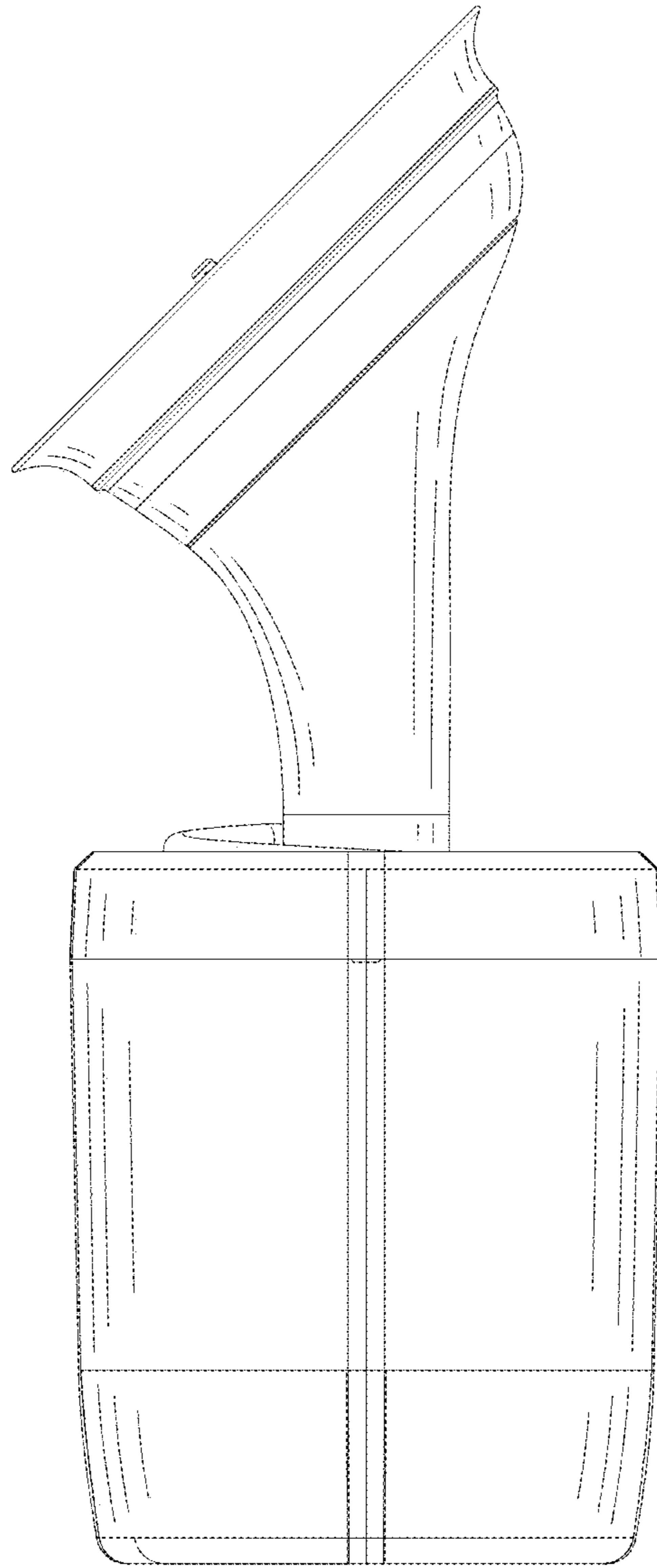


FIG. 4

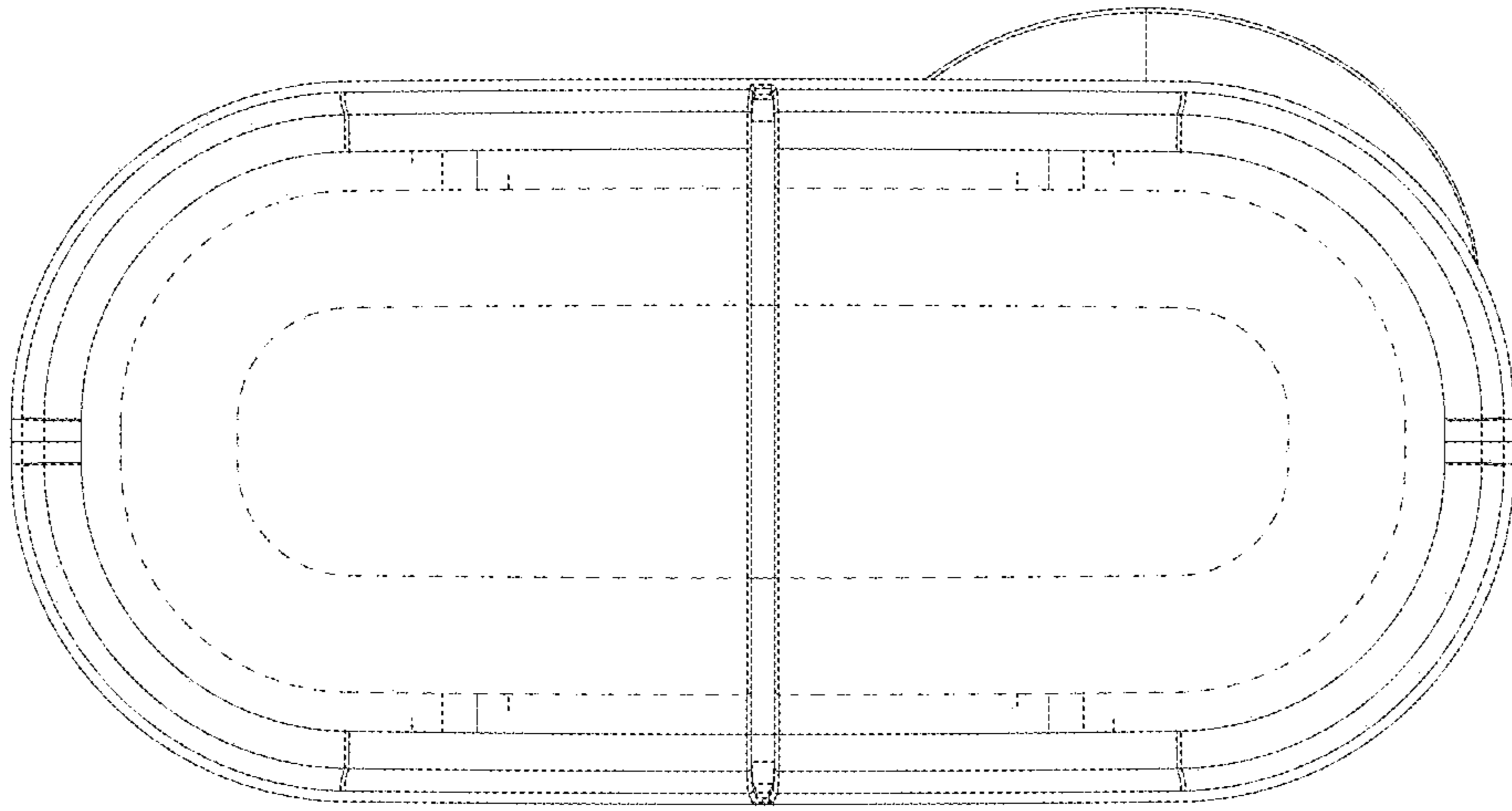


FIG. 5

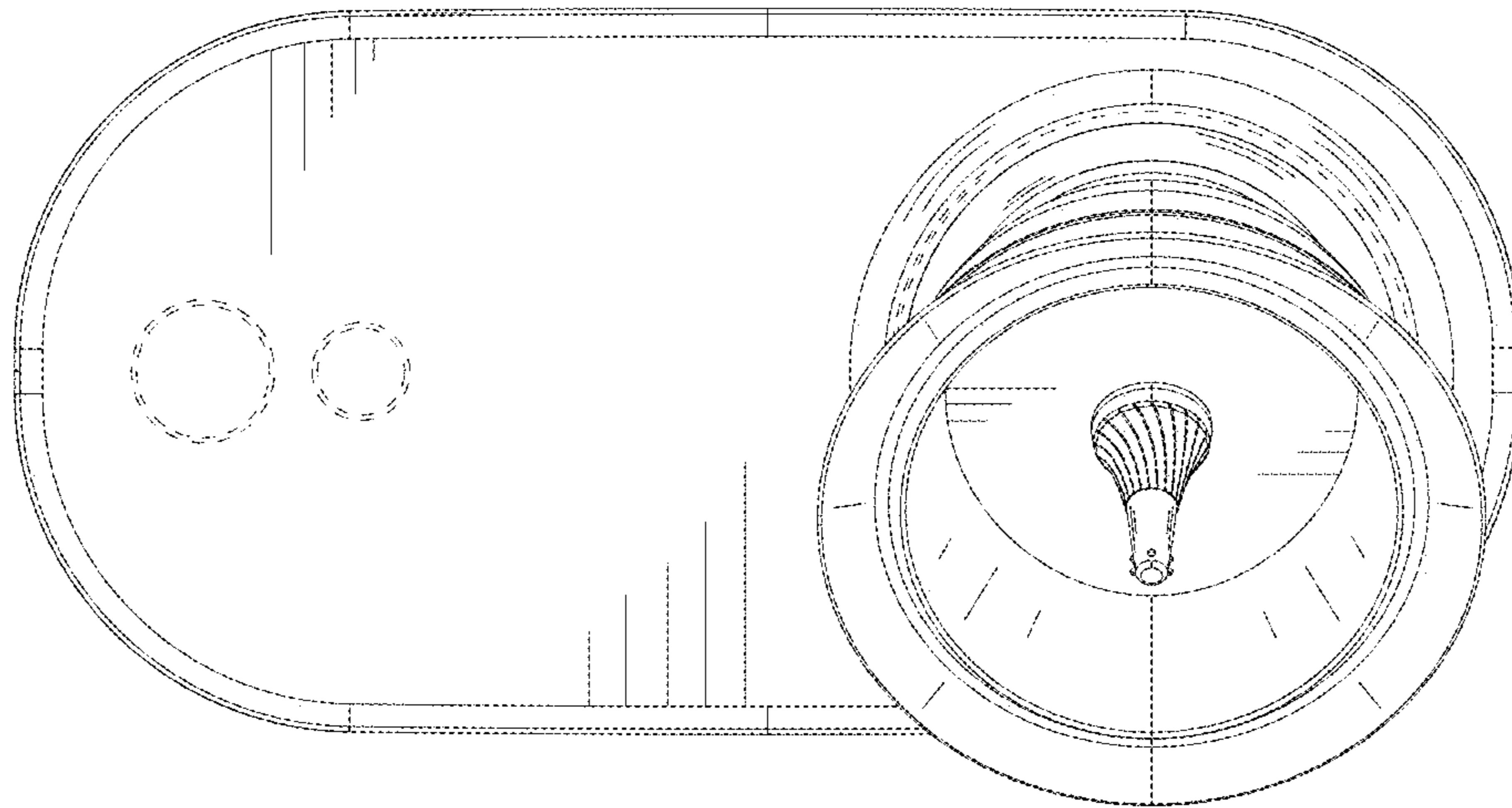


FIG. 6

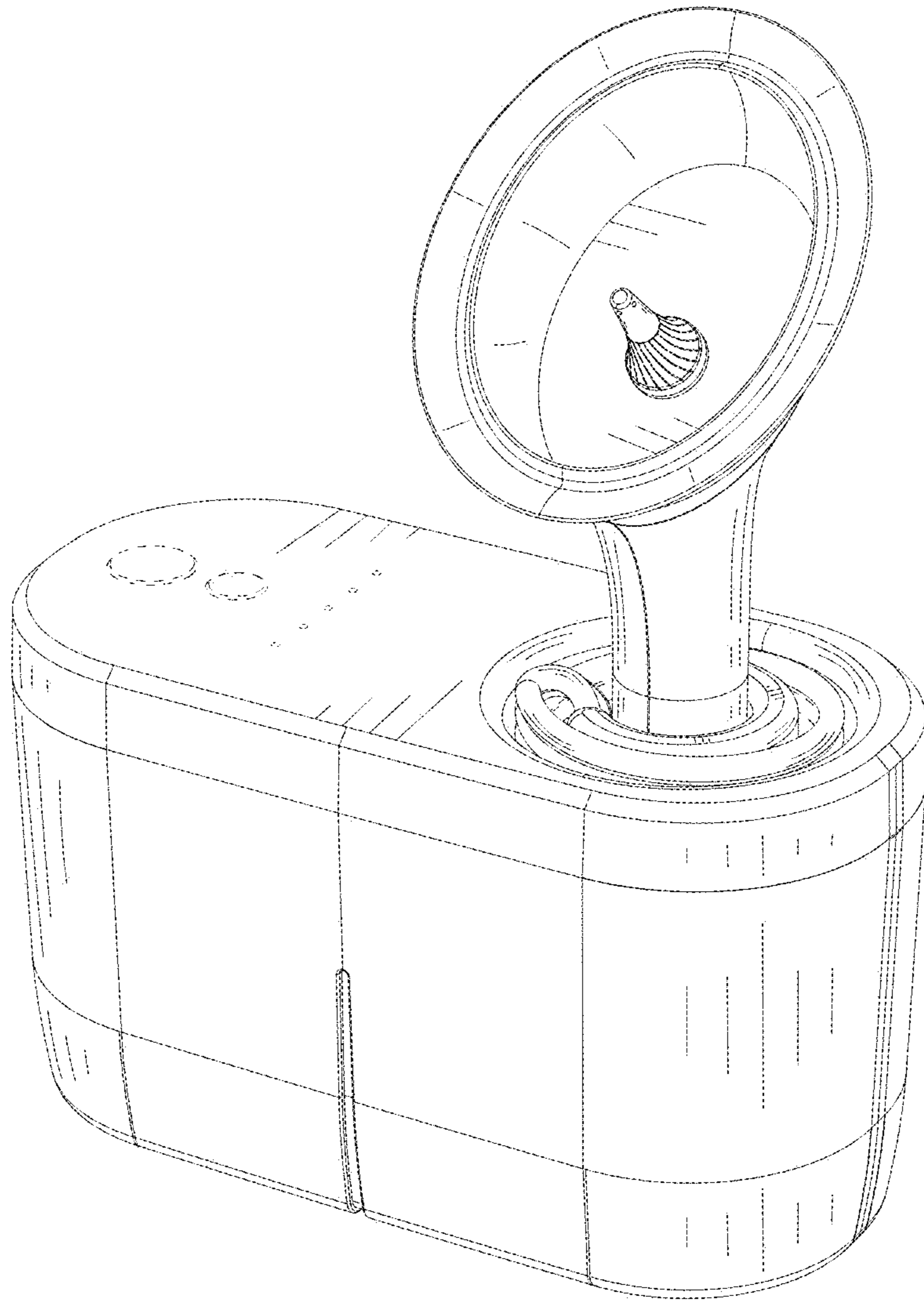


FIG. 7

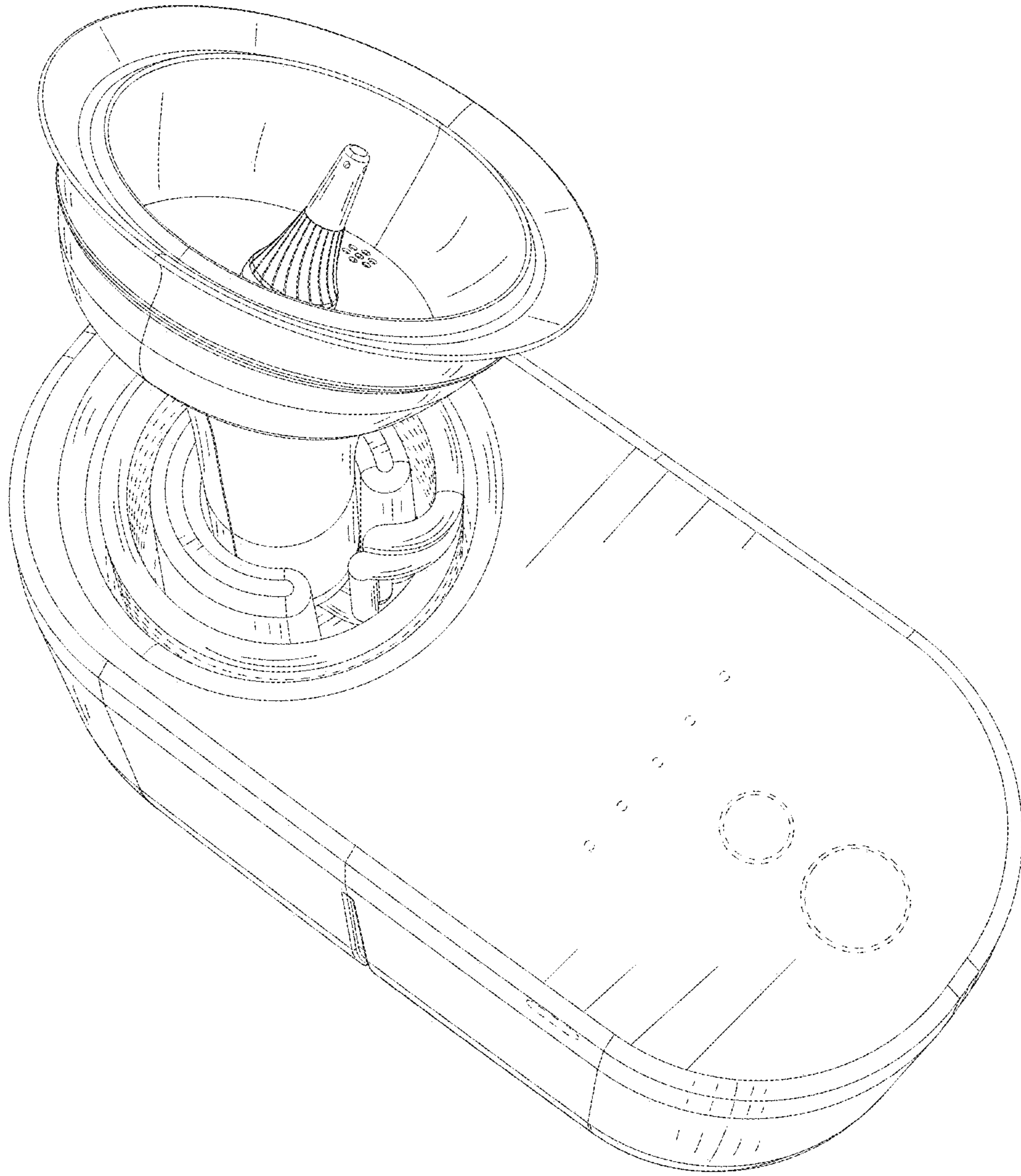


FIG. 8