



US0D1050301S

(12) **United States Design Patent** (10) **Patent No.: US D1,050,301 S**  
**Villanueva** (45) **Date of Patent: \*\* Nov. 5, 2024**

(54) **BUTTERFLY TOY**

FOREIGN PATENT DOCUMENTS

(71) Applicant: **Roberto Villanueva**, San Diego, CA  
(US)

CN 303935281 \* 11/2016  
CN 304280595 \* 9/2017

(Continued)

(72) Inventor: **Roberto Villanueva**, San Diego, CA  
(US)

OTHER PUBLICATIONS

(\*\*) Term: **15 Years**

Amazon.com\_itechpanda 10 Pack Blank Butterflies Cutout Unfinished, announced May 16, 2024 [online]. Available from internet, URL:<[https://www.amazon.com/itechpanda-Butterflies-Unfinished-Classroom-Ornaments/dp/B0D49HZC4F/ref=sr\\_1\\_51?>](https://www.amazon.com/itechpanda-Butterflies-Unfinished-Classroom-Ornaments/dp/B0D49HZC4F/ref=sr_1_51?>) (Year: 2024).\*

(Continued)

(21) Appl. No.: **29/867,955**

(22) Filed: **Nov. 15, 2022**

(51) **LOC (14) Cl.** ..... **21-01**

(52) **U.S. Cl.**  
USPC ..... **D21/650**

(58) **Field of Classification Search**  
USPC ..... D11/341-342, 338, 399, 350, 360, 438,  
D11/440, 576, 578, 584-585, 590,  
D11/606-608, 650, 133, 137, 158, 162;  
D21/341-342, 338, 399, 350, 360, 438,  
D21/440, 576, 578, 584-585, 590,  
D21/606-608, 650

CPC ... A63H 3/00; A63H 3/02; A63H 3/04; A63H  
3/05; A63H 3/12; A63H 3/16; A63H  
3/28; A63H 3/006; A63H 3/36; A63H  
3/365; A63H 3/48; A63H 3/10; A63H  
33/00; A63H 33/003; A63H 33/004;  
A63H 33/01; A63H 33/08; A63H 33/042;  
A63H 11/00; A63H 11/10; A63H 11/18;  
A63H 11/20; A63H 11/205; A63H 13/00;  
A63H 9/00; A63H 5/00; A63H 2200/00;  
A63H 7/06; A63H 23/10; G09B 23/36

See application file for complete search history.

*Primary Examiner* — Lauren D McVey  
*Assistant Examiner* — Elisa M Pujals

(57) **CLAIM**

The ornamental design for a butterfly toy, as shown and described.

**DESCRIPTION**

FIG. 1 is a top front perspective view of a butterfly toy showing my new design;  
FIG. 2 is a bottom rear perspective view thereof;  
FIG. 3 is a front elevation view thereof, the rear elevation view being a mirror image thereof;  
FIG. 4 is a top plan view thereof;  
FIG. 5 is a bottom plan view thereof;  
FIG. 6 is a right-side elevation view thereof, the left-side elevation view thereof being a mirror image thereof;  
FIG. 7 is a front perspective view of the center body of the butterfly toy shown with wings omitted for clarity of illustration; and,  
FIG. 8 is an exploded front perspective view of the left wing of the butterfly toy, shown with the center body omitted for clarity of illustration.

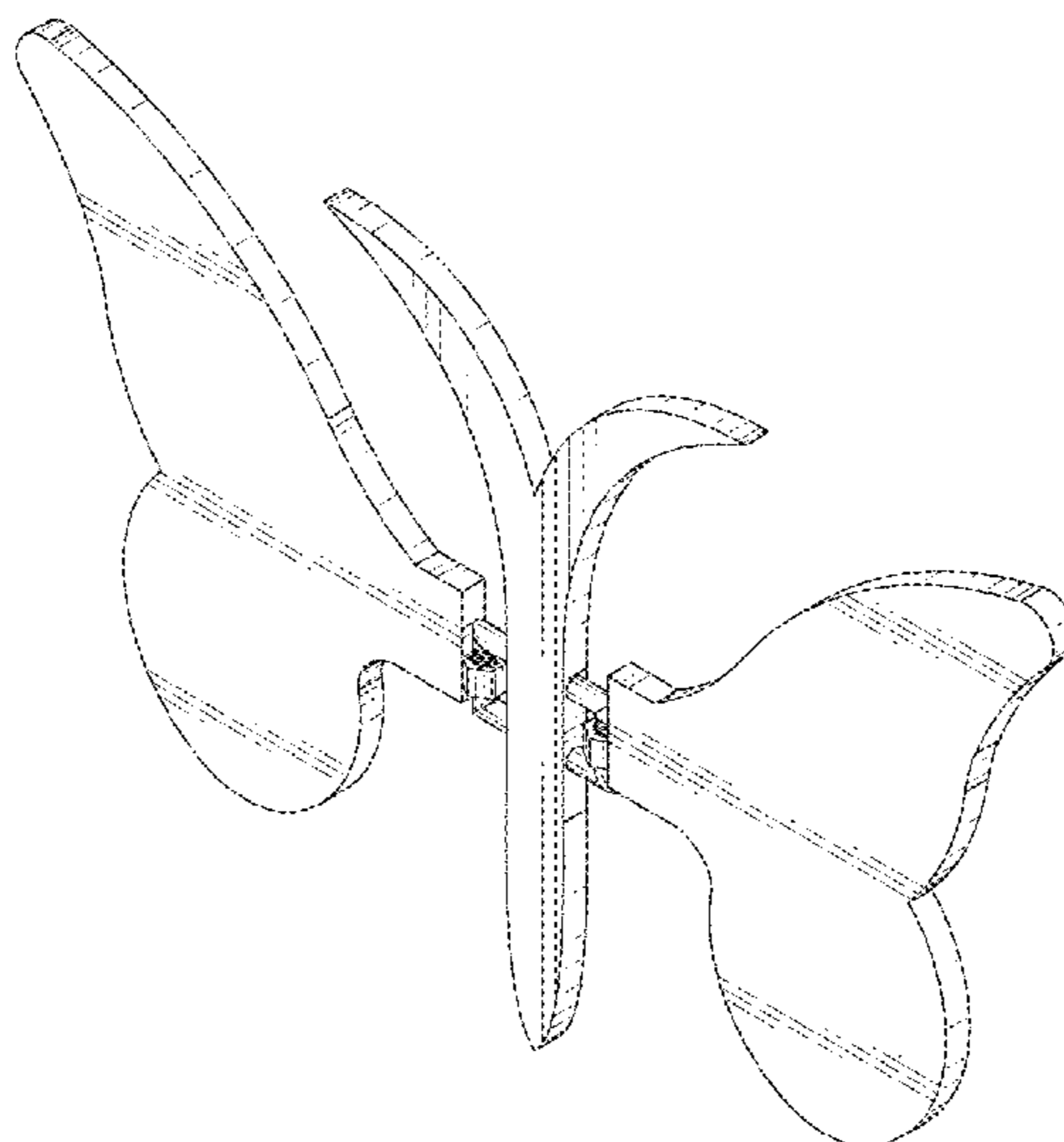
(56) **References Cited**

U.S. PATENT DOCUMENTS

1,708,823 A \* 4/1929 Arzig ..... A63H 7/06  
D21/438  
D208,561 S \* 9/1967 Dunbar ..... D21/650  
3,577,670 A 5/1971 Gutierrez  
D283,146 S \* 3/1986 Jensen ..... D21/440

(Continued)

**1 Claim, 8 Drawing Sheets**



(56)

References Cited

U.S. PATENT DOCUMENTS

D317,030	S	*	5/1991	Peyton	.....	D21/650
D356,369	S	*	3/1995	El-Assir	.....	D23/367
D463,000	S	*	9/2002	Weiser	.....	D21/585
D464,685	S	*	10/2002	Weiser	.....	D21/585
D484,199	S	*	12/2003	Weiser	.....	D21/585
D492,220	S	*	6/2004	Weiser	.....	D21/585
9,168,462	B2		10/2015	Jung		
D881,748	S	*	4/2020	Weiser	.....	D11/162
D946,660	S	*	3/2022	Deng	.....	D21/350
D1,018,719	S	*	3/2024	Liao	.....	D21/650
D1,019,821	S	*	3/2024	Wang	.....	D21/650

FOREIGN PATENT DOCUMENTS

CN	305708528	*	4/2020
CN	308343585	*	11/2023
CN	308494997	*	3/2024
CN	308512379	*	3/2024

OTHER PUBLICATIONS

Amazon.com\_ Pica Toys Electric Flying Butterfly Wood Working Toy, announced Sep. 12, 2023 [online]. Available from internet, URL:<[https://www.amazon.com/Pica-Toys-Electric-Butterfly-Working/dp/B0BSNCTC2K/ref=cm\\_cr\\_ar\\_p\\_d\\_product\\_top?ie=UTF8](https://www.amazon.com/Pica-Toys-Electric-Butterfly-Working/dp/B0BSNCTC2K/ref=cm_cr_ar_p_d_product_top?ie=UTF8)> (Year: 2023).\*

Amazon.com\_ WHQXFDZ 40 Pieces Butterfly Unfinished Wooden Butterfly, announced Jul. 12, 2020 [online]. Available from internet, URL:<[https://www.amazon.com/Butterfly-Unfinished-Christmas-Decorations-Valentines/dp/B08CT6CHX9/ref=cm\\_cr\\_ar\\_p\\_d\\_product\\_top?ie=UTF8](https://www.amazon.com/Butterfly-Unfinished-Christmas-Decorations-Valentines/dp/B08CT6CHX9/ref=cm_cr_ar_p_d_product_top?ie=UTF8)> (Year: 2020).\*

Little Live Pets Lil' Butter□y—Rare Wings, retrieved from Internet, retrieved on Jul. 29, 2020, <URL: <https://tinyurl.com/mwdd89f7>>.

Schylling, Schylling Tim Bird Mechanical Flying, retrieved from Internet, retrieved on Nov. 15, 2022, <URL: <https://tinyurl.com/23jey5v3>>.

butterflyers.com, Purple Monarch Flying Butterfly, retrieved from Internet, retrieved on Nov. 15, 2022, <URL: <https://tinyurl.com/3v559rnd>>.

\* cited by examiner

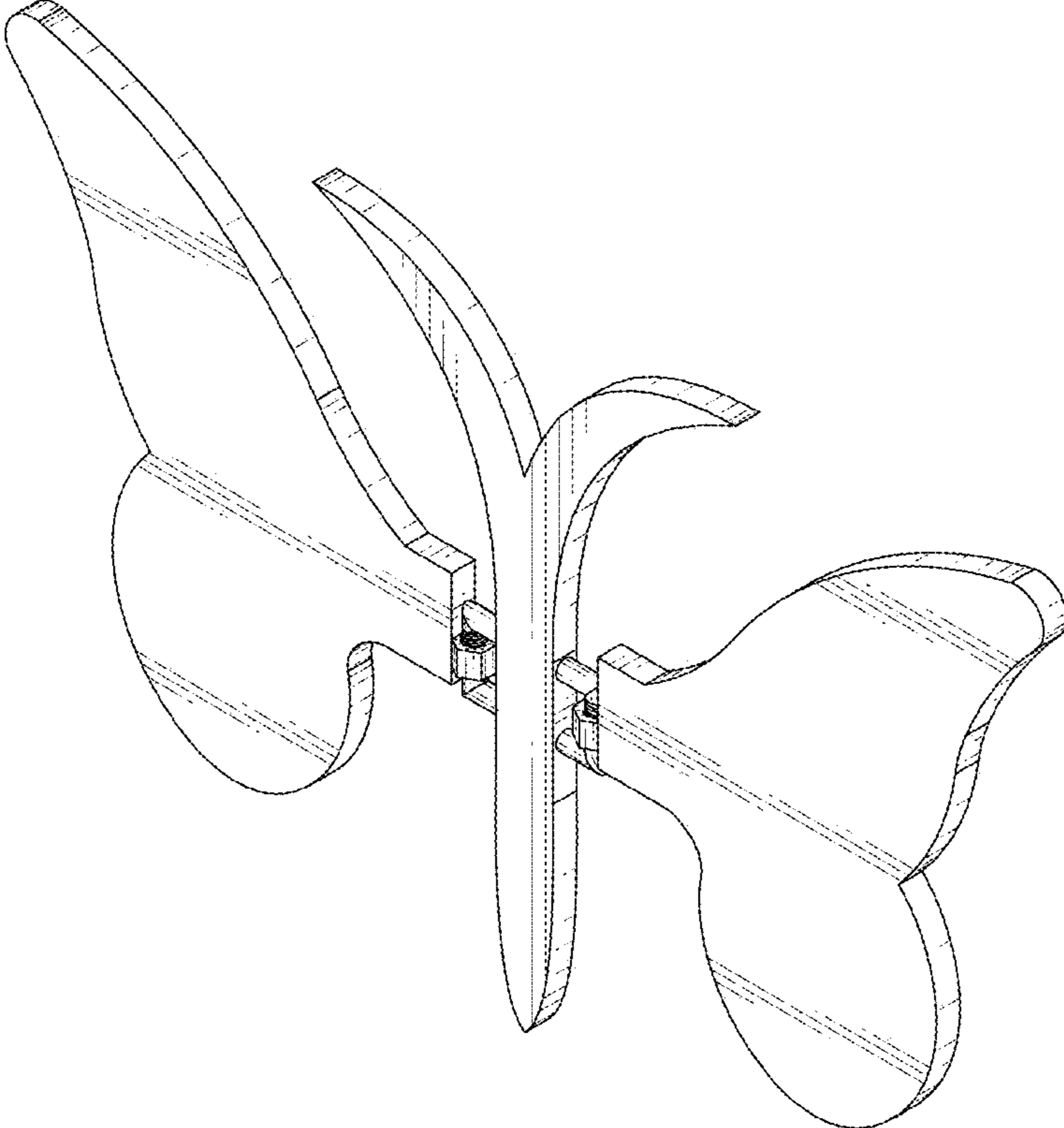


FIG. 1

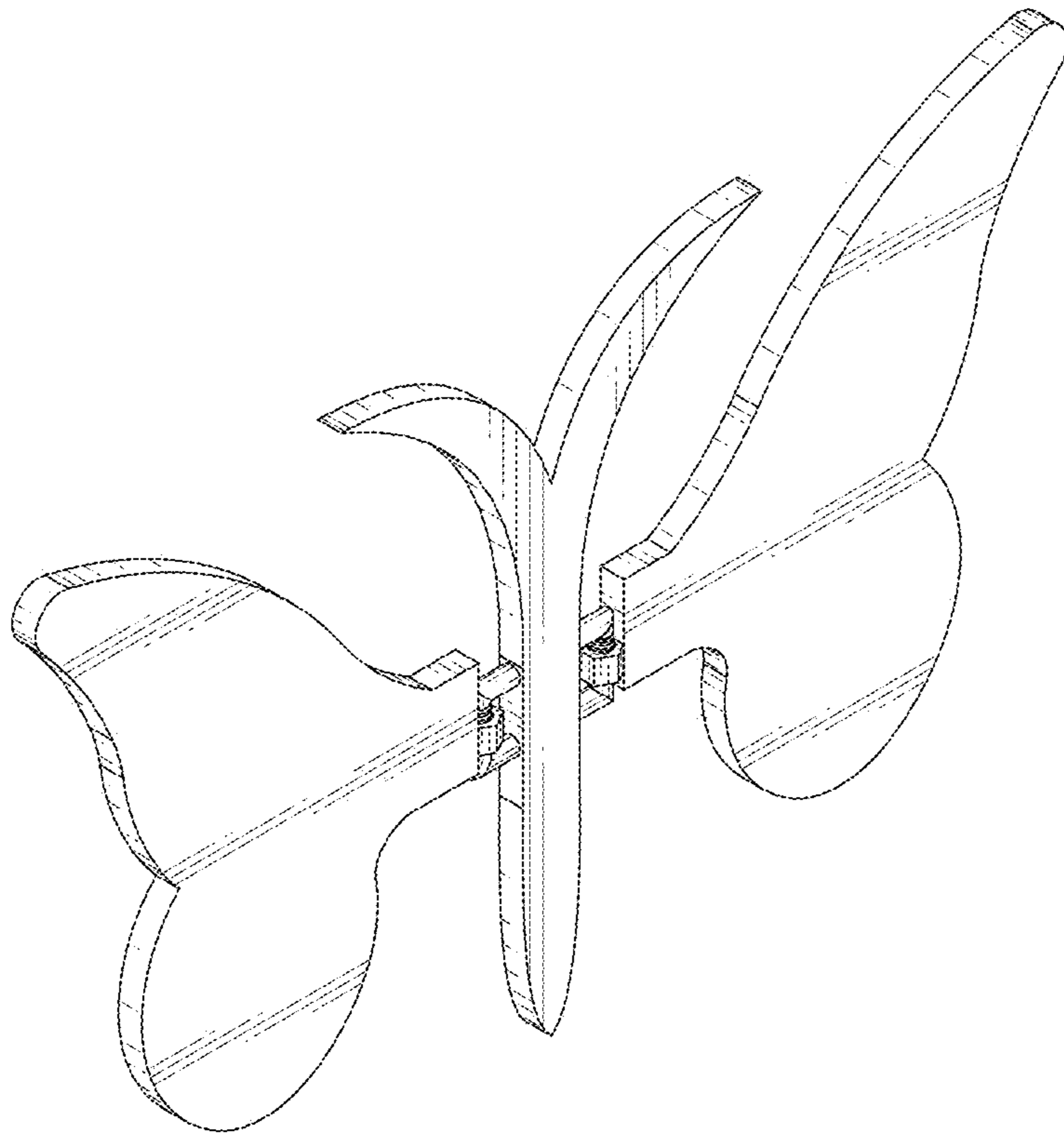


FIG. 2

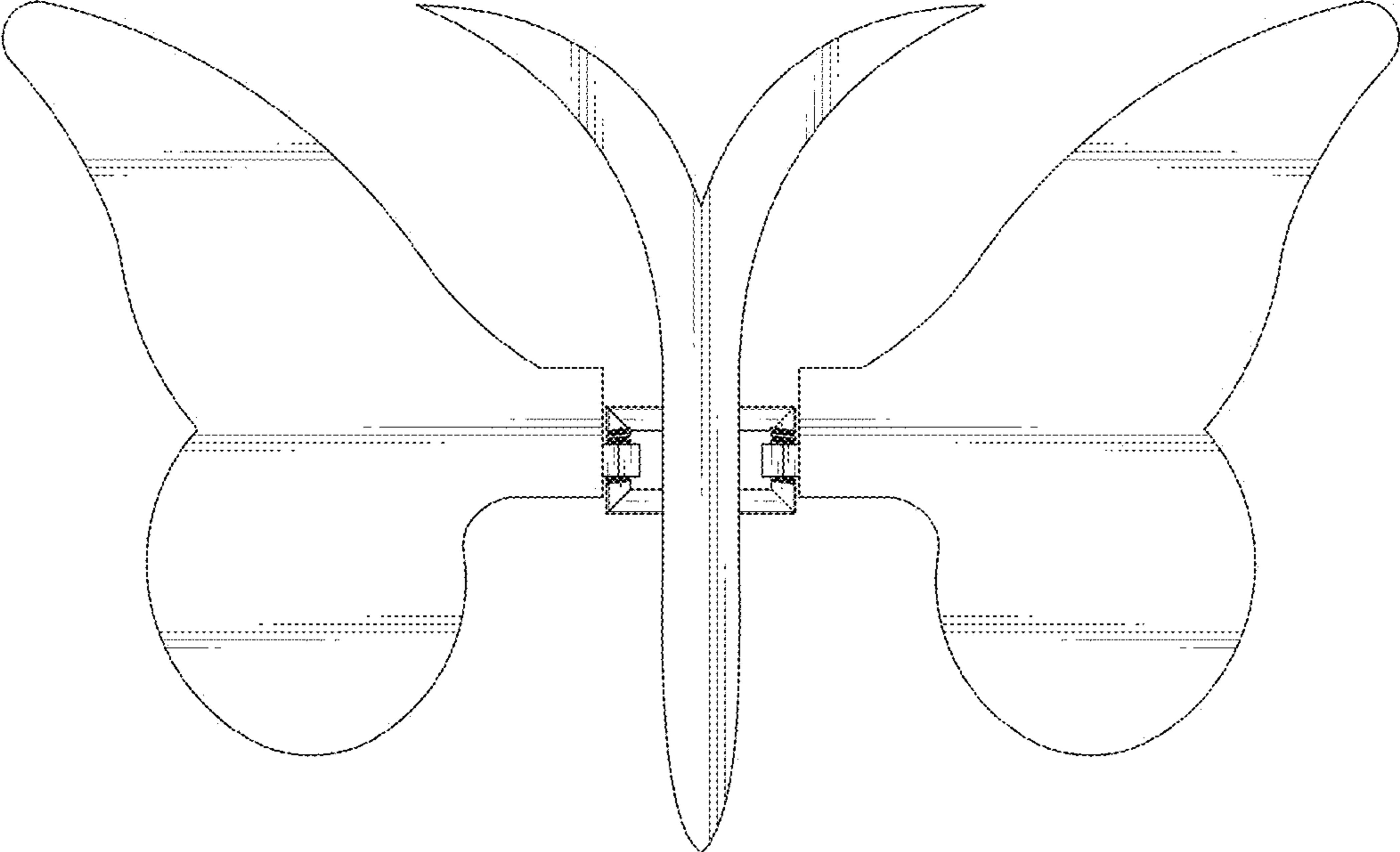


FIG. 3

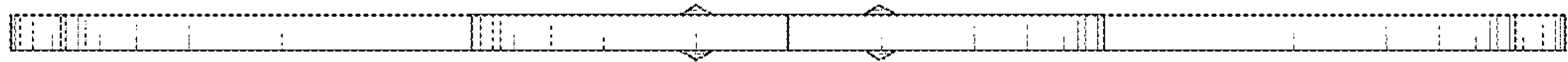


FIG. 4

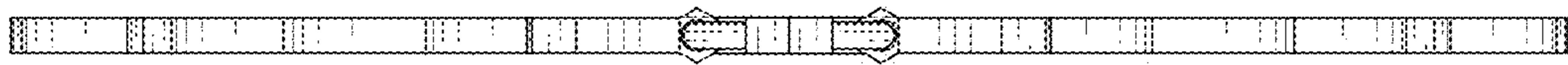


FIG. 5



FIG. 6



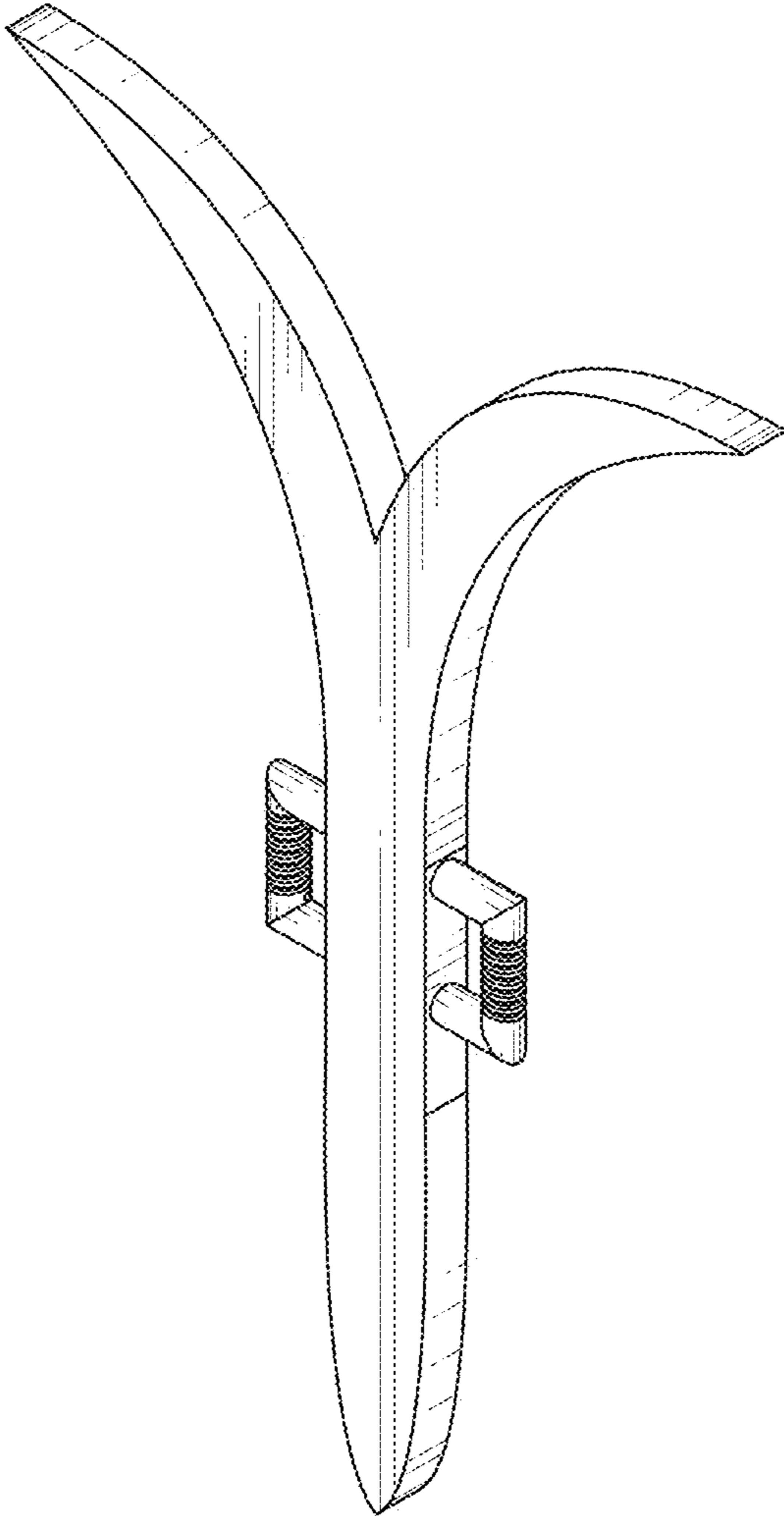


FIG. 7

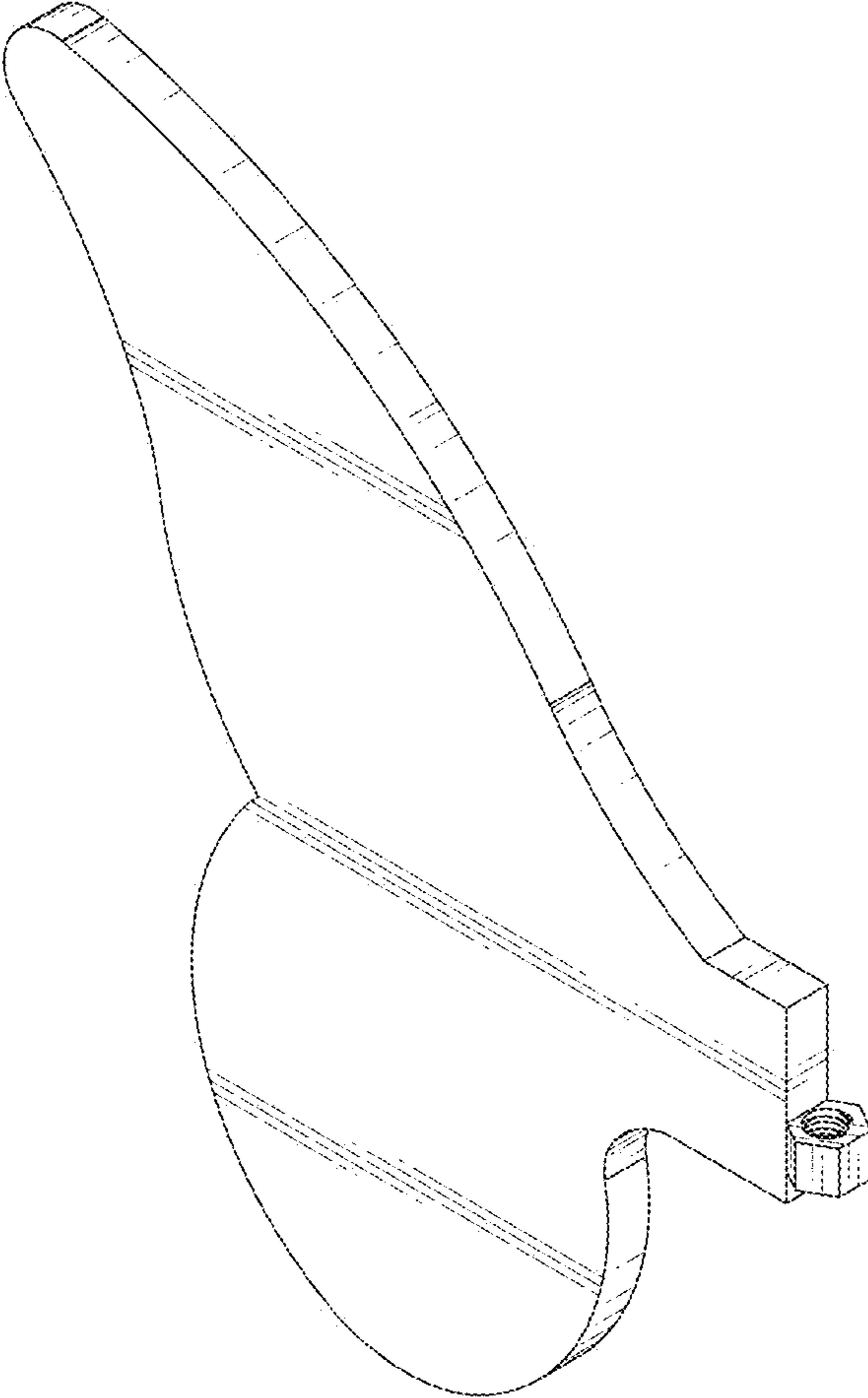


FIG. 8