



US0D1050289S

(12) **United States Design Patent** (10) **Patent No.:** **US D1,050,289 S**
Hagler et al. (45) **Date of Patent:** **** Nov. 5, 2024**

(54) **MODEL VEHICLE ASSEMBLY**

FOREIGN PATENT DOCUMENTS

(71) Applicant: **TRAXXAS, L.P.**, McKinney, TX (US)

EM 15010910-0001 * 2/2023
GB 2023-02-17 * 2/2023

(72) Inventors: **Skylar Hagler**, Anna, TX (US); **Jory Sprowl**, Honey Grove, TX (US); **Otto Karl Allmendinger**, Rowlett, TX (US); **Casey Christen Jens Christensen**, McKinney, TX (US); **Adam Cole Ewing**, McKinney, TX (US); **Kent Poteet**, Lucas, TX (US)

(Continued)

OTHER PUBLICATIONS

1950 Step Van, as shown in www.garagemdigital.blogspot.com, Apr. 7, 2015. (Year: 2015).*

(Continued)

(73) Assignee: **TRAXXAS, L.P.**, McKinney, TX (US)

Primary Examiner — Gino Colan

(**) Term: **15 Years**

Assistant Examiner — Gregory G McLemore

(21) Appl. No.: **29/851,833**

(74) *Attorney, Agent, or Firm* — Daryl R. Wright; Greg Carr

(22) Filed: **Aug. 31, 2022**

(51) **LOC (14) Cl.** **21-01**

(52) **U.S. Cl.**
USPC **D21/552**; D21/548

(58) **Field of Classification Search**
USPC D21/433, 533, 548, 552, 562; D12/14, D12/86, 93, 99
CPC A63H 17/262; A63H 17/00; A63H 17/004; A63H 17/05; A63H 33/26; A63H 19/15; B62D 24/02; B62D 33/048; B62D 29/045
See application file for complete search history.

(57) **CLAIM**

The ornamental design for a model vehicle assembly as shown and described.

(56) **References Cited**

U.S. PATENT DOCUMENTS

D109,521 S	5/1938	Nicol	
D150,101 S *	6/1948	Wallace	296/25
D163,511 S	6/1951	Compton	
D164,238 S *	8/1951	Hill	D12/99
D165,178 S	11/1951	Ludwig	
D190,077 S	4/1961	Myers	
2,982,578 A *	5/1961	Lowe	B60P 3/0257 296/22
D206,376 S	12/1966	Ornas, Jr.	
D206,528 S	12/1966	Praat	

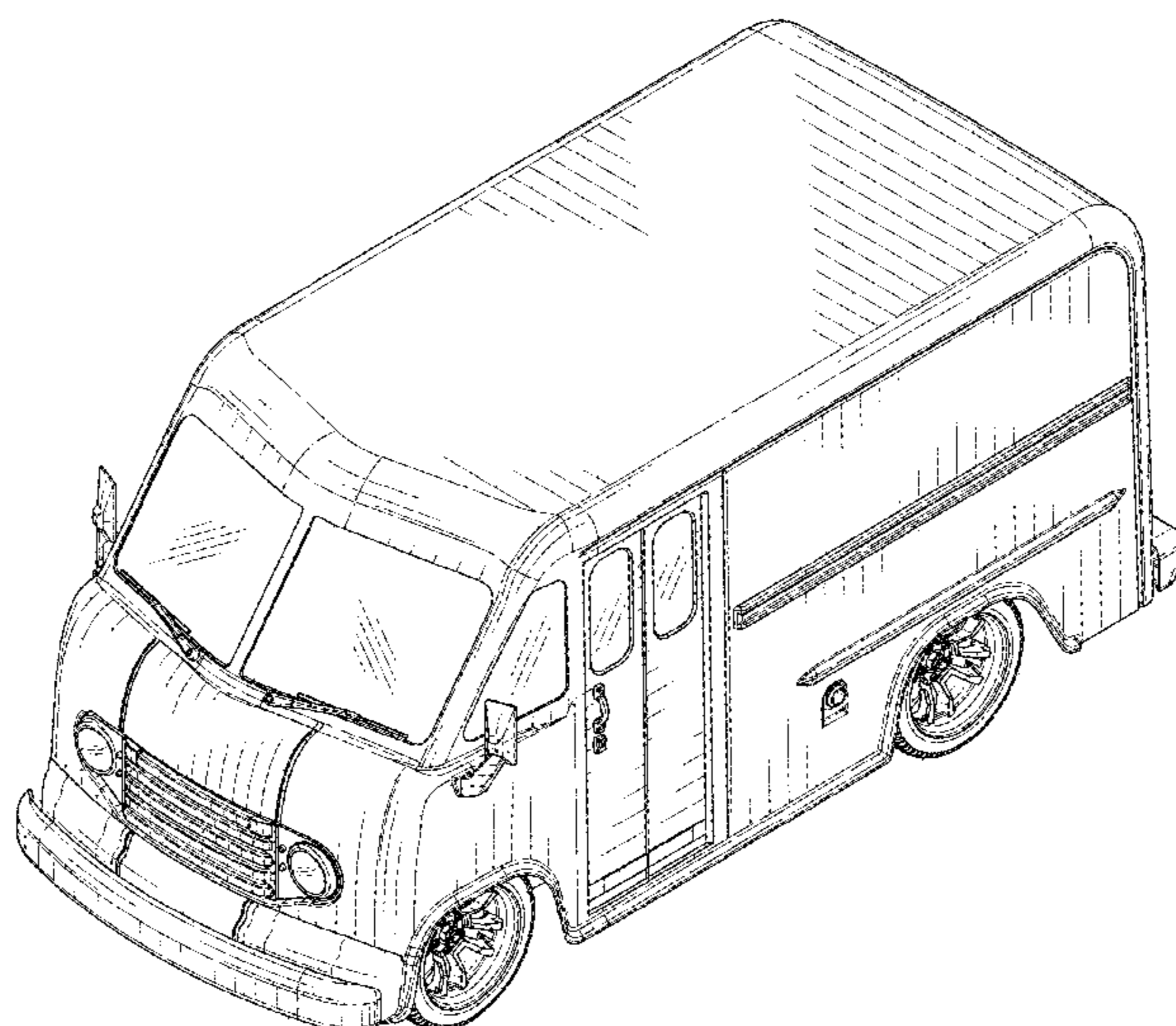
(Continued)

DESCRIPTION

FIG. 1 is an upper, left, front perspective view of a model vehicle assembly showing our new design; FIG. 2 is a front elevation view thereof; FIG. 3 is a rear elevation view thereof; FIG. 4 is a right side elevation view thereof; FIG. 5 is a left side elevation view thereof; FIG. 6 is an upper plan view thereof; FIG. 7 is a lower plan view thereof; FIG. 8 is an upper, right, rear perspective view thereof; FIG. 9 is a lower, right, rear perspective view thereof; and, FIG. 10 is a lower, left, front view of the model vehicle assembly.

In the drawings, the broken lines illustrate portions of the model vehicle assembly that form no part of the claimed design.

1 Claim, 9 Drawing Sheets



(56)

References Cited

U.S. PATENT DOCUMENTS

D216,299	S	12/1969	Mono et al.	
D295,772	S	5/1988	Kwan	
D309,281	S	7/1990	Tisten et al.	
D309,643	S	7/1990	Picozza et al.	
D464,639	S	10/2002	White	
D844,070	S *	3/2019	Christensen	D21/562
D924,986	S *	7/2021	Wood	D21/434
D977,033	S *	1/2023	Talios	D21/552
D1,020,915	S	4/2024	Christensen et al.	
2022/0193566	A1 *	6/2022	Wood	A63H 17/262

FOREIGN PATENT DOCUMENTS

GB	6261049	*	2/2023
GB	6261050	*	2/2023

OTHER PUBLICATIONS

Snap-On Tools 1950 Ford Step Van 1:24 Scale Die-Cast Bank, as shown in www.ebay.com, earliest customer review, Aug. 3, 2016. (Year: 2016).*

Little Debbie 1950 Ford Step Van Bank, as shown in www.icollector.com, Feb. 21, 2009. (Year: 2009).*

1950 Ford Step Van, as shown in www.crownpremiums.com, no date listed, date found Sep. 4, 2024. (Year: 2024).*

The Rarest Traxxas R/C, 1950 Hot Rod Ford Step Van, Snap On Limited Edition, as shown in www.youtube.com, Mar. 26, 2023. (Year: 2023).*

Traxxas, “Snap-on Limited Edition Traxxas X-Maxx Quick Start Guide”, Traxxas LP, McKinney, TX, USA; Nov. 10, 2017.

Phoenix Unique Replicas—Ford Step Van Police Car Patrol Wagon #02 (1950, 1/24 scale diecast model car, Black/White) 18573, as shown in www.toywonders.com, with [www.youtube](http://www.youtube.com) video attached to page and dated, Apr. 13, 2010. (Year: 2010).

18573-Phoenix-1950-Ford-Step-Van-Police-Car-Patrol-Wagon-124-Diecast-Wholesale.mpg, as shown in www.youtube.com, Apr. 13, 2010. (Year: 2010).

Phoenix Unique Replicas—Ford Step Van Fire Dept. Squad Unit #1 (1950, 1/24 scale diecast model car, Red) 18570, as shown in www.toywonders.com, with [www.youtube](http://www.youtube.com) video attached to page and dated, Apr. 13, 2010. (Year: 2010).

18570-Phoenix-1950-Ford-Step-Van-Fire-Dept-Squad-Unit-124-Diecast-Wholesale.mpg, as shown in www.youtube.com, Apr. 13, 2010. (Year: 2010).

1950 Ford Step Van—Unique Replicas 18572 Demo, as shown in www.youtube.com, Apr. 16, 2012. (Year: 2012).

Snap-on Tools 1950 Ford Step Van Die Cast 1:24 Scale Crown Premiums—\$295 (Boca Raton), as shown in www.craigslis.com, date printed on toy and box, 2004. (Year: 2004).

The Rarest Traxxas RC You’ve never Heard of, as shown in www.youtube.com, Feb. 16, 2023. (Year: 2023).

The Traxxas 2021 Corvette Stingray 4-Tec 3.0 Review, Amain Hobbies, as shown on www.youtube.com, Jun. 25, 2021 (Year: 2021).

The Rarest Traxxas RC You’ve never Heard of, Speedhaus, as shown in www.youtube.com, Feb. 16, 2023 (Year: 2023).

* cited by examiner

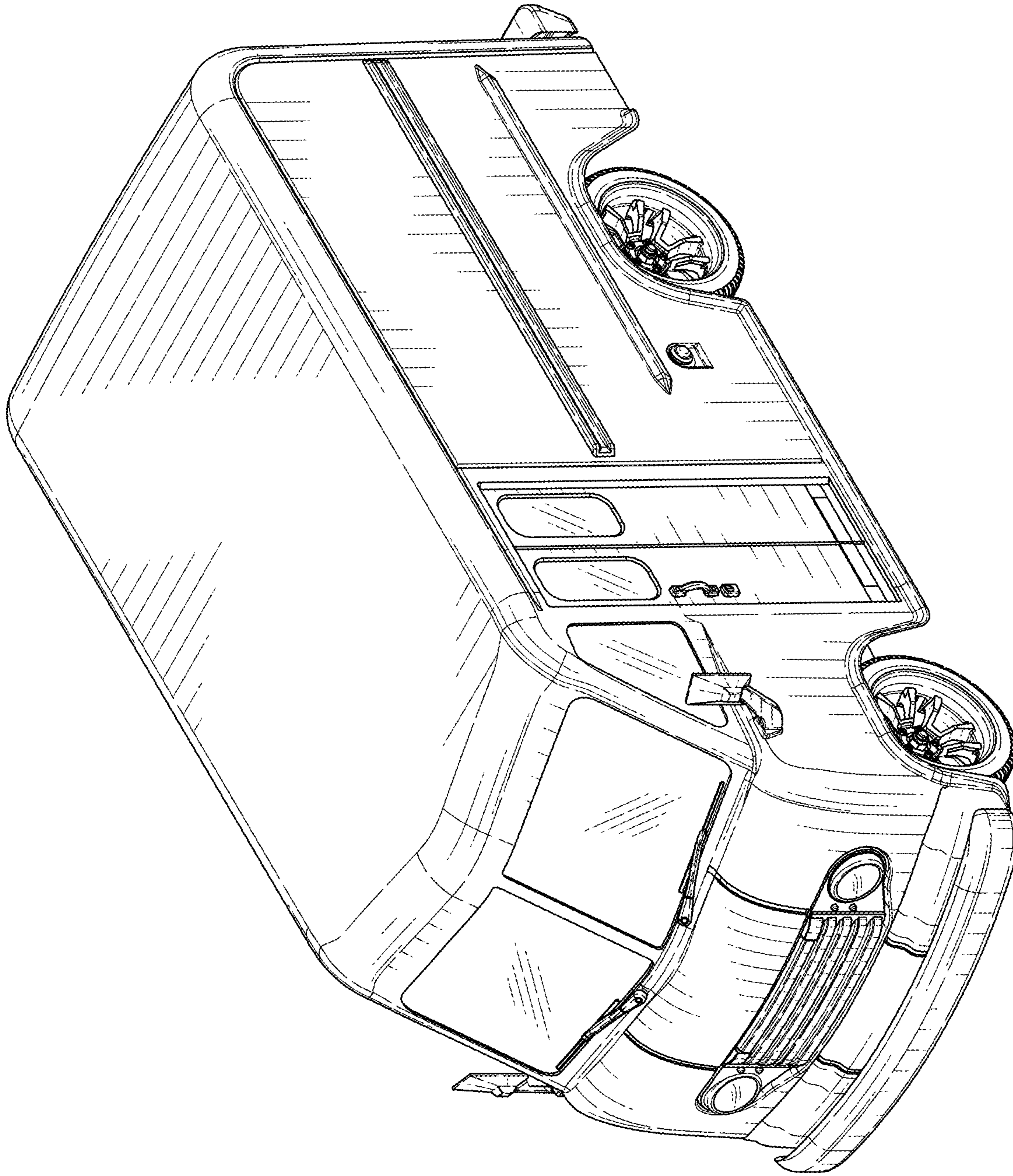


FIG. 1

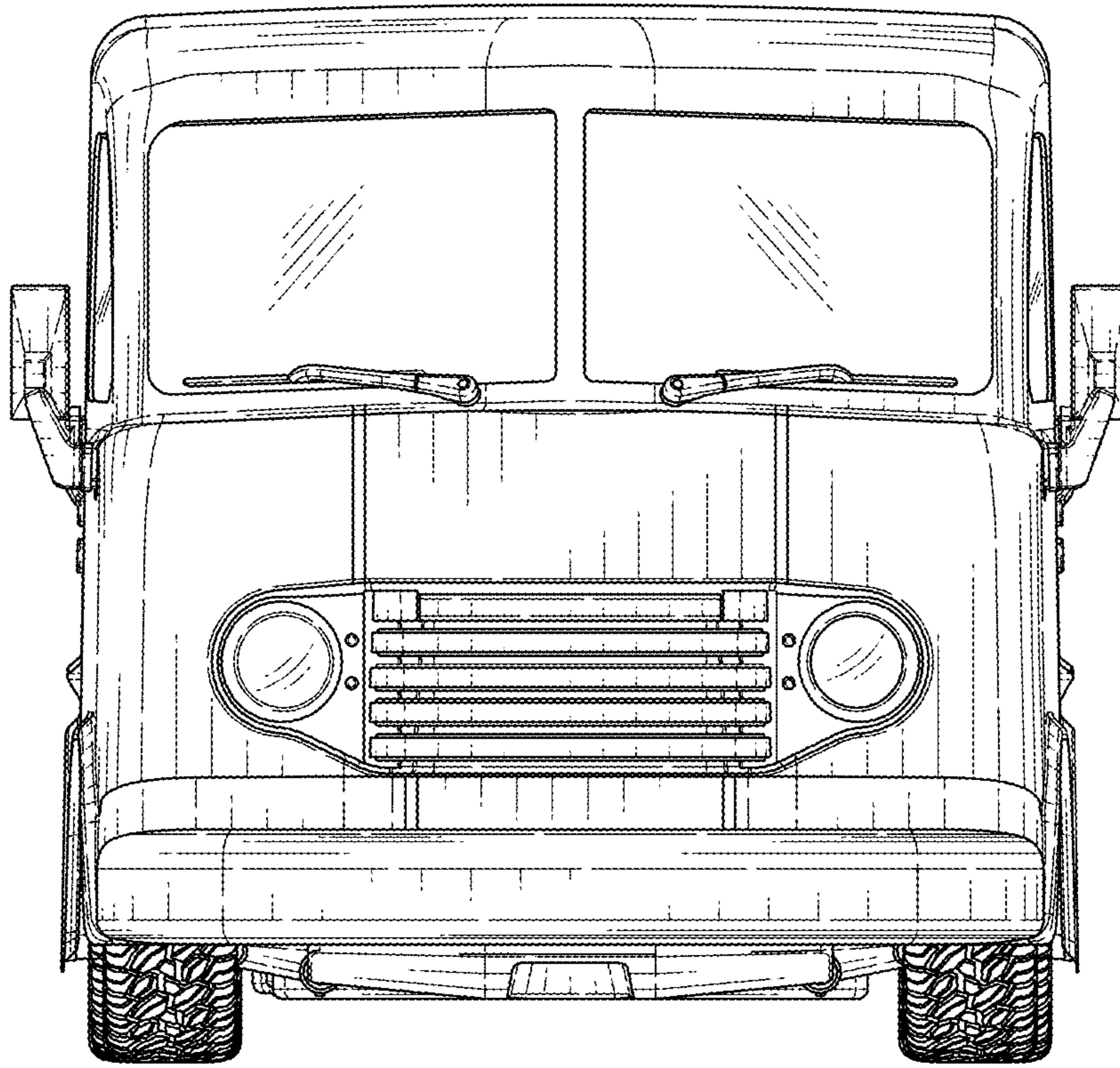


FIG. 2

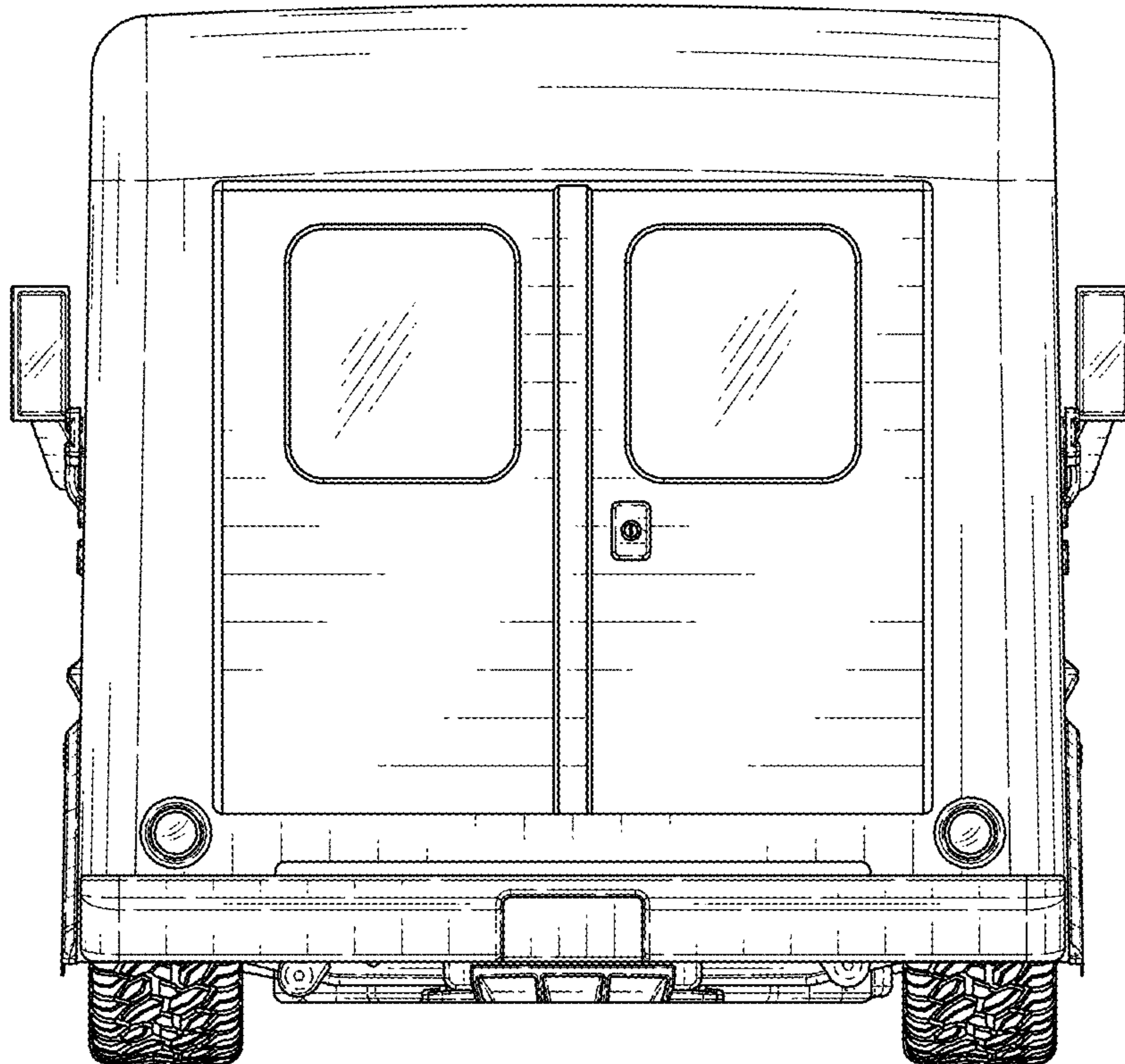


FIG. 3

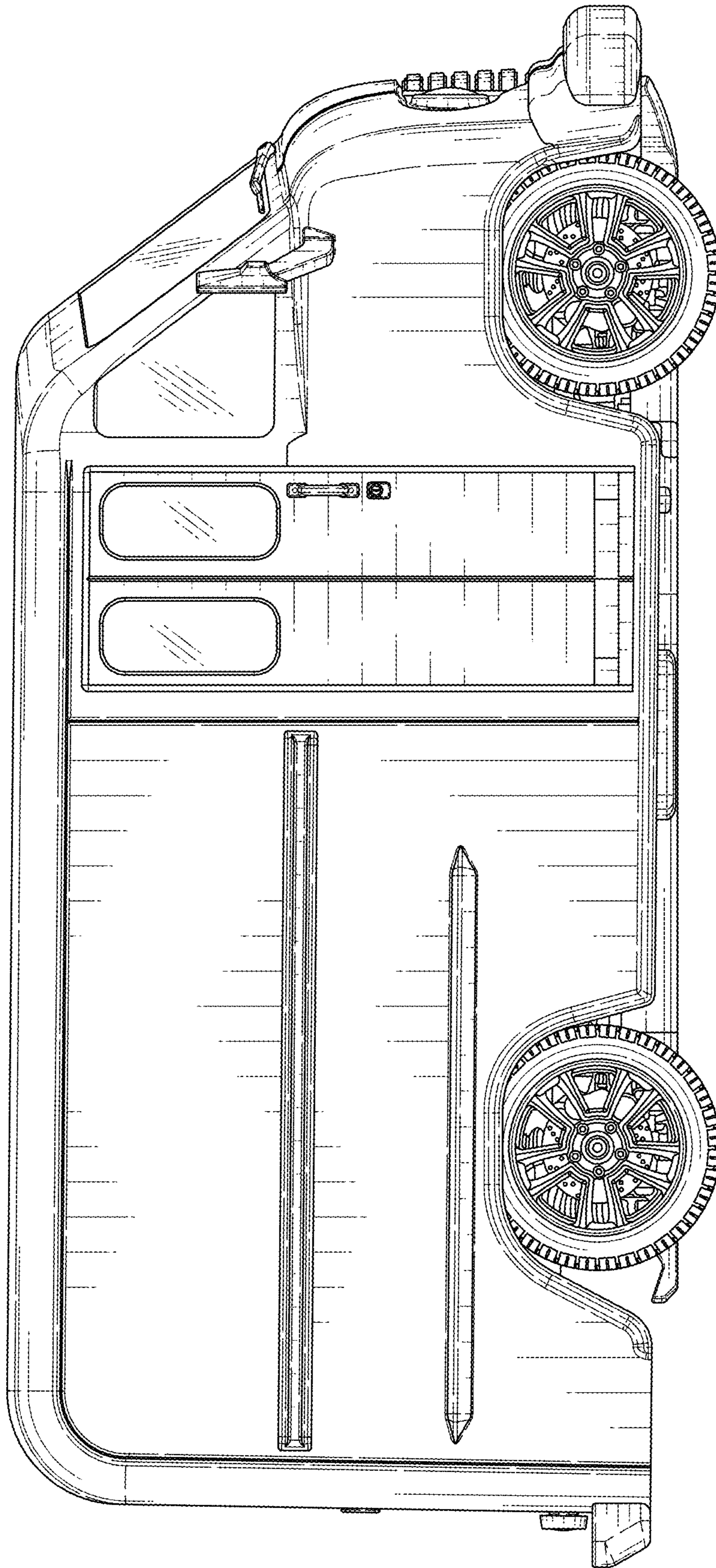


FIG. 4

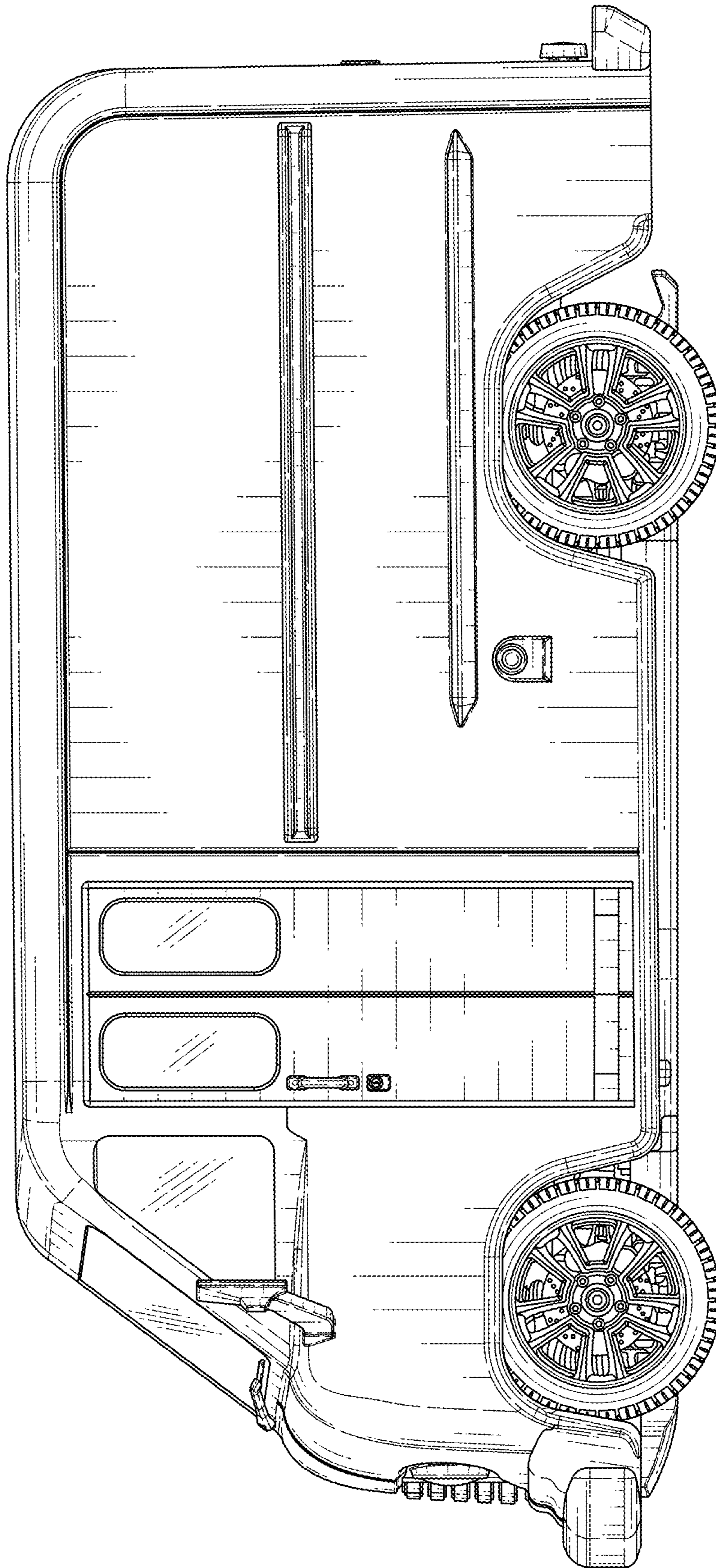


FIG. 5

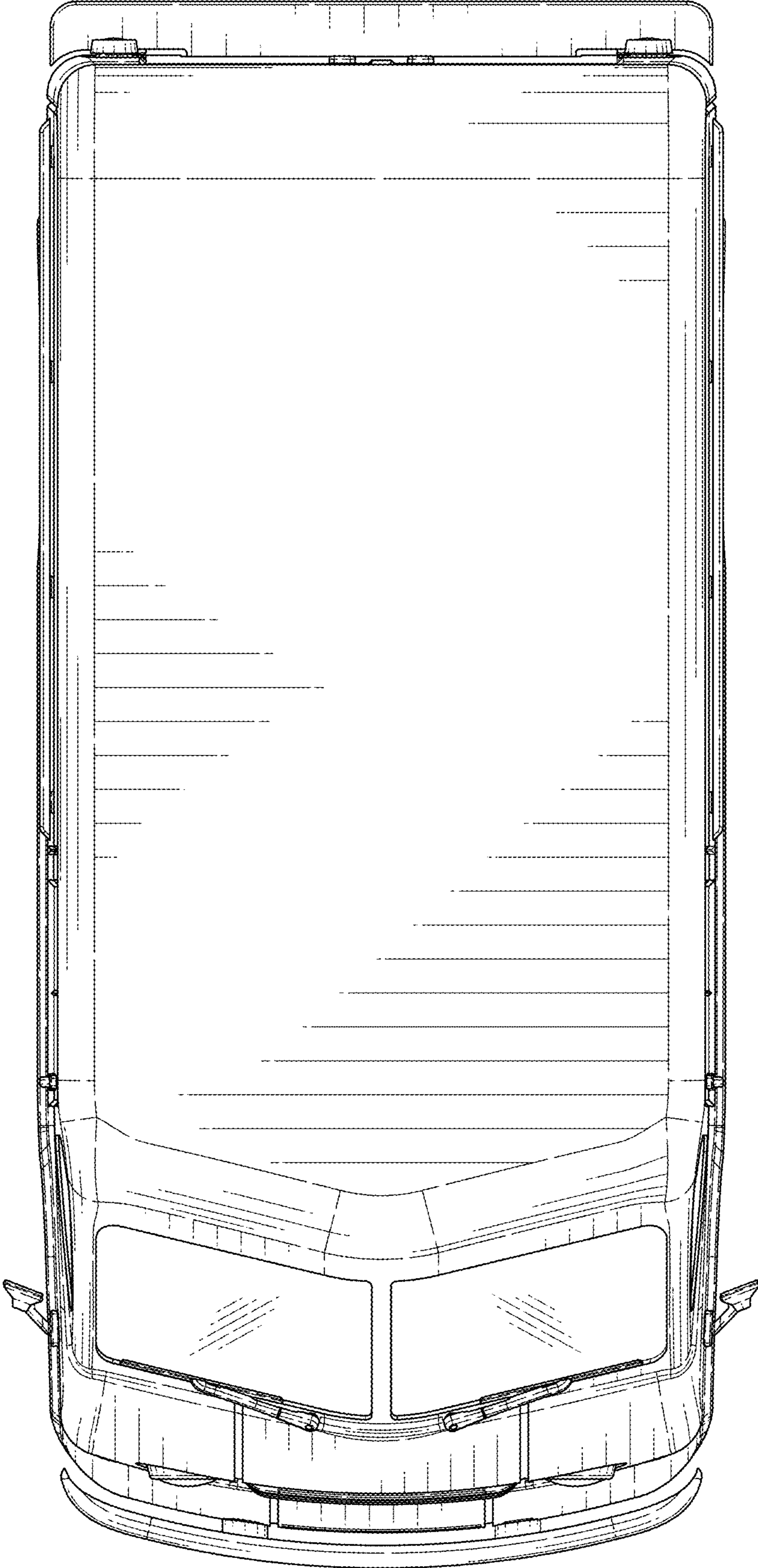


FIG. 6

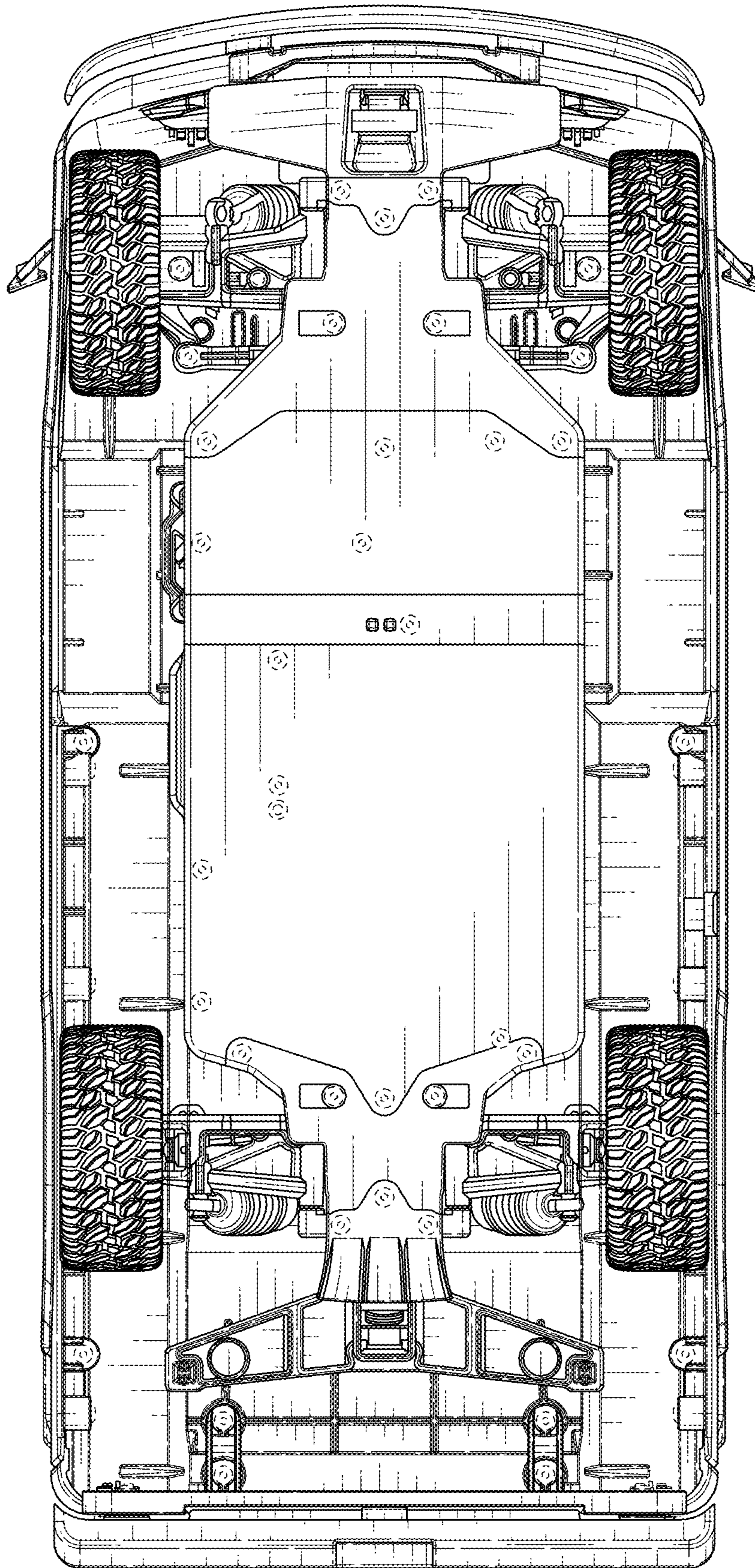


FIG. 7

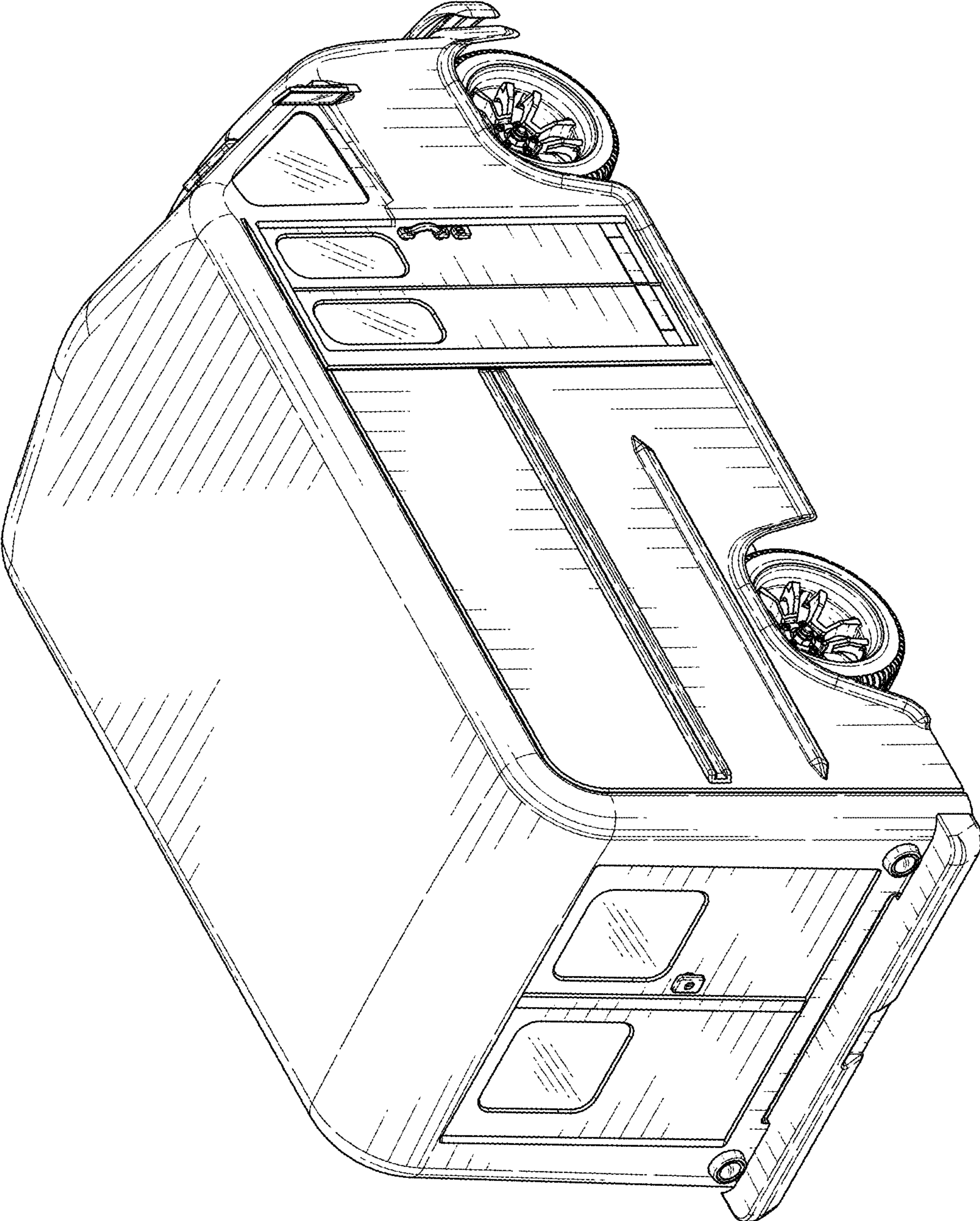


FIG. 8

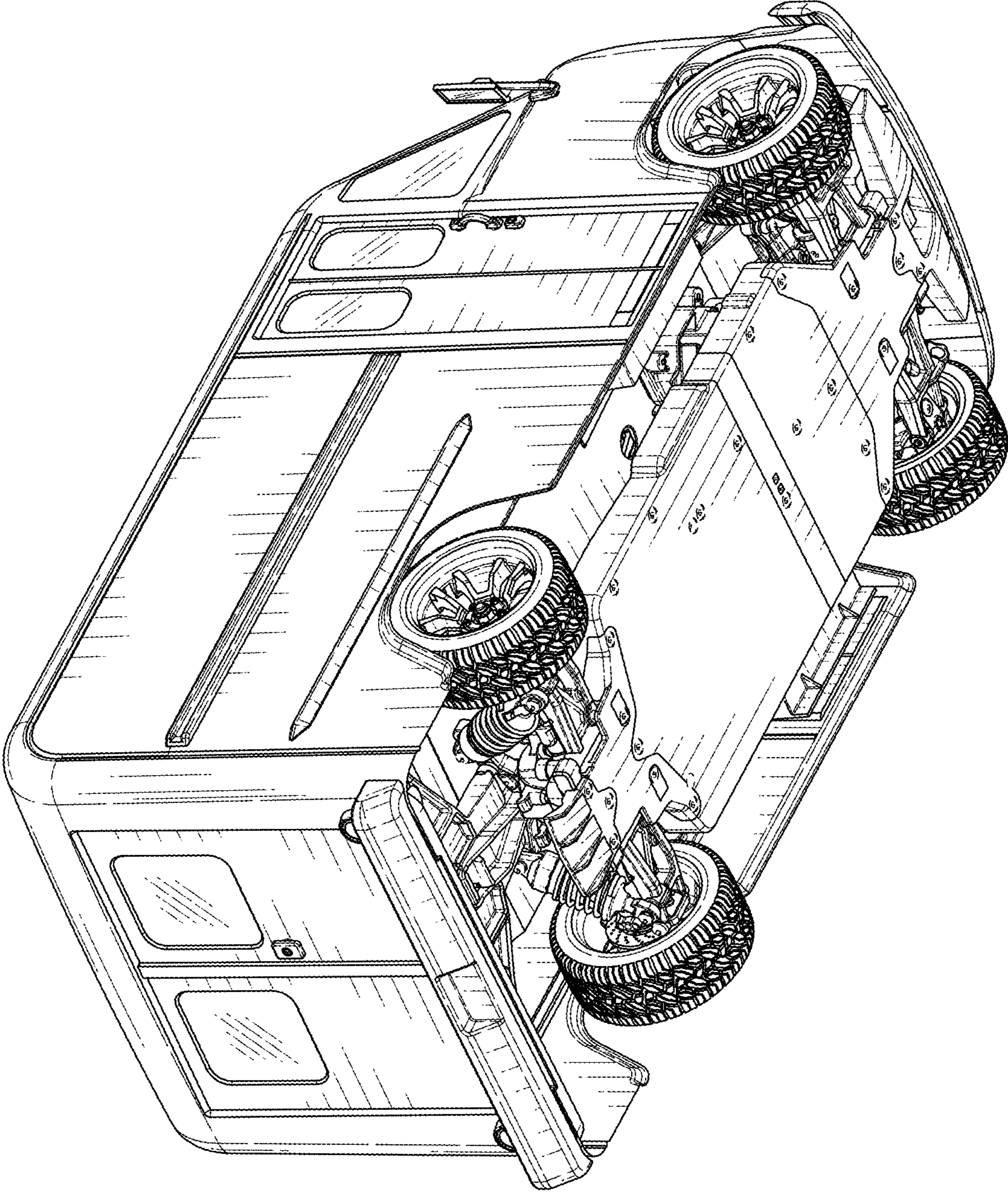


FIG. 9

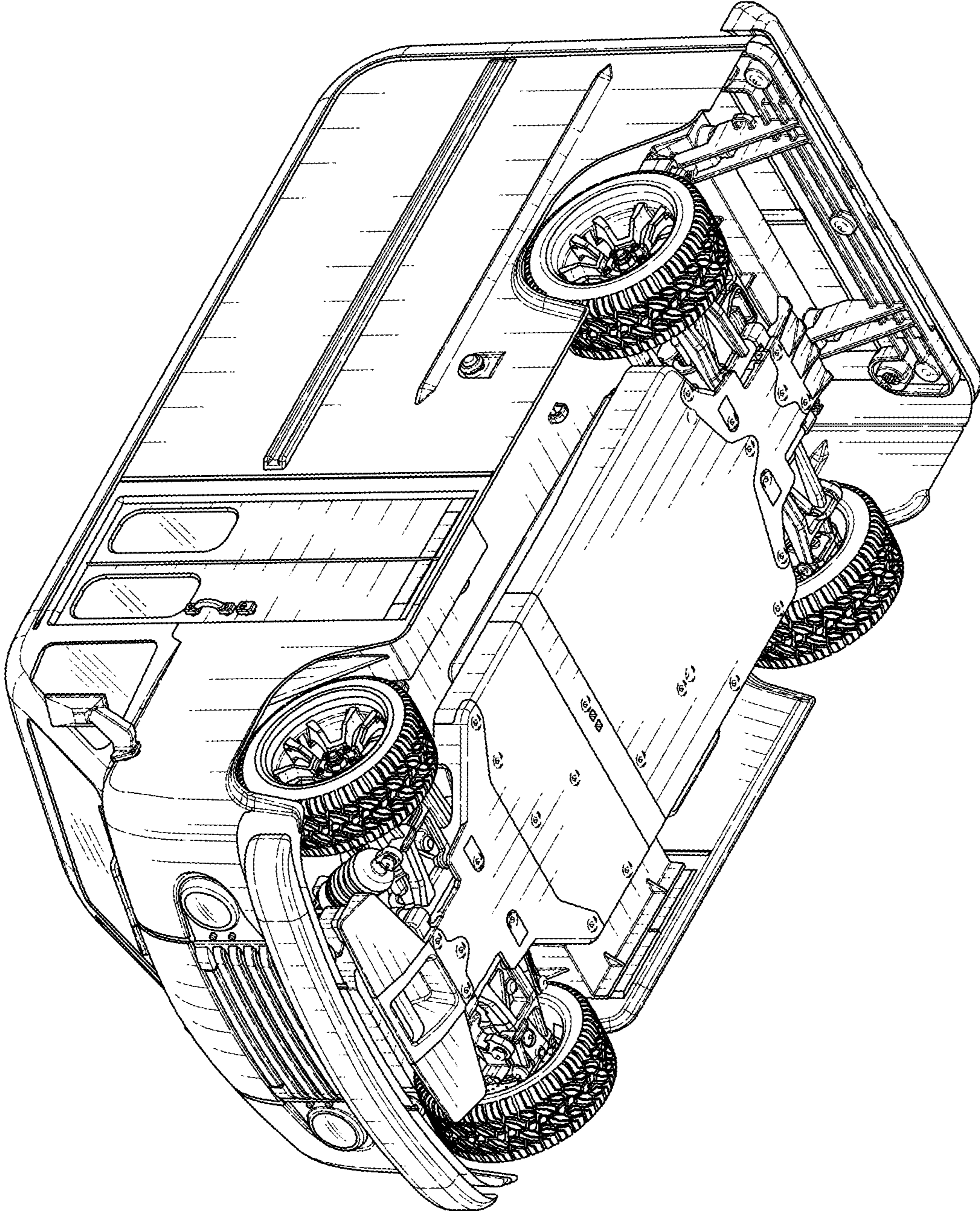


FIG. 10