



US0D1050092S

(12) **United States Design Patent** (10) **Patent No.:** **US D1,050,092 S**
Chu (45) **Date of Patent:** **** Nov. 5, 2024**

(54) **TV MOUNT**

(71) Applicant: **Xiang Chu**, Guangdong (CN)

(72) Inventor: **Xiang Chu**, Guangdong (CN)

(**) Term: **15 Years**

(21) Appl. No.: **29/953,410**

(22) Filed: **Jul. 22, 2024**

(51) **LOC (14) Cl.** **14-03**

(52) **U.S. Cl.**
USPC **D14/239**

(58) **Field of Classification Search**
USPC D8/354, 363, 373, 380; D14/451, 452,
D14/447, 448, 457, 239, 251, 253, 224,
D14/224.1, 432, 439
CPC F16M 11/06; F16M 11/08; F16M 11/10;
F16M 11/105
See application file for complete search history.

(56) **References Cited**

U.S. PATENT DOCUMENTS

| | | | |
|----------------|---------|----------|--------------|
| D280,109 S * | 8/1985 | Lewis | 15/210.1 |
| D408,721 S * | 4/1999 | Sartini | D8/363 |
| D434,909 S * | 12/2000 | Seltzer | D4/134 |
| D567,638 S * | 4/2008 | Rieder | D8/371 |
| D637,586 S * | 5/2011 | Lee | D14/239 |
| D698,628 S * | 2/2014 | Stanley | D8/367 |
| 9,303,849 B1 * | 4/2016 | Martinez | F21V 33/0032 |
| D762,777 S * | 8/2016 | Szucs | D20/42 |
| D824,245 S * | 7/2018 | Ryu | D8/371 |
| D849,727 S | 5/2019 | van Til | |
| D852,174 S | 6/2019 | Pei | |
| D852,790 S | 7/2019 | Pei | |
| D852,805 S | 7/2019 | Lyu | |
| D882,831 S * | 4/2020 | Carter | D25/133 |
| D907,018 S | 1/2021 | Pei | |
| D914,000 S | 3/2021 | Shu | |
| D921,312 S * | 6/2021 | Fowler | D32/31 |

| | | | |
|-------------------|---------|--------|-------------------------|
| D937,281 S | 11/2021 | Pei | |
| D946,384 S * | 3/2022 | Zhang | D8/367 |
| D953,313 S | 5/2022 | Pei | |
| D958,123 S * | 7/2022 | Pyo | D14/239 |
| 2010/0102543 A1 * | 4/2010 | Kang | B62D 21/11 280/784 |
| 2010/0276562 A1 * | 11/2010 | Nguyen | H04N 5/655 248/475.1 |

(Continued)

OTHER PUBLICATIONS

“PPQ TV Wall Mount No Stud TV Wall Mount for 26-90 inch TVs, Drywall TV Mount No Drill” Jul. 23, 2024, Amazon, site visited Aug. 14, 2024: <https://www.amazon.com/PPQ-Drywall-900x600mm-Install-Friendly/dp/B0D9Y1QTN7> (Year: 2024).*

(Continued)

Primary Examiner — Jack Reickel
Assistant Examiner — Russell Carnell Smith, Jr.

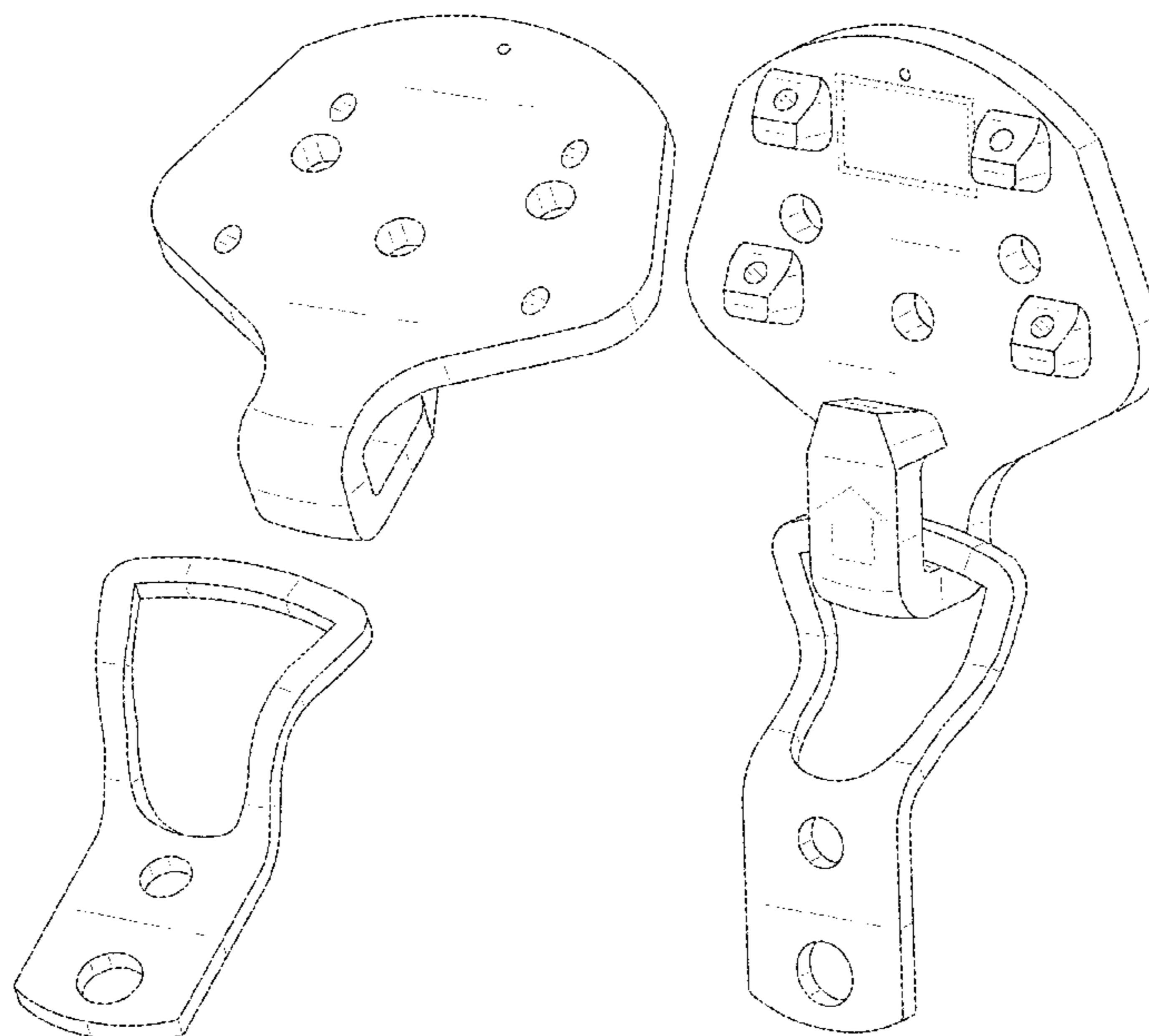
(57) **CLAIM**

The ornamental design for a TV mount, as shown and described.

DESCRIPTION

FIG. 1 is a front perspective view of a TV mount showing my new design.
FIG. 2 is a rear perspective view thereof.
FIG. 3 is a front view thereof
FIG. 4 is a rear view thereof.
FIG. 5 is a left side view thereof.
FIG. 6 is a right side view thereof.
FIG. 7 is a top view thereof.
FIG. 8 is a bottom view thereof; and,
FIG. 9 is a perspective view of the use state of a TV mount. The broken lines illustrate portions of the TV mount that form no part of the claimed design.

1 Claim, 9 Drawing Sheets



(56)

References Cited

U.S. PATENT DOCUMENTS

2011/0292304 A1* 12/2011 Ma F16M 11/00
348/836
2019/0183264 A1* 6/2019 Kennedy A47G 1/065
2020/0120305 A1* 4/2020 Pei F16M 11/04
2021/0254784 A1* 8/2021 Levy H04N 5/655

OTHER PUBLICATIONS

“Hang Smart TV® Wall Mount No Stud—Original & Patented Easy Install, DIY for 19-100” TVs” Nov. 29, 2023, Amazon, site visited Aug. 14, 2024: <https://www.amazon.com/HangSmart-TV%C2%AE-Wall-Mount-Stud/dp/B0CP6H3VYT> (Year: 2023).*

“Bushad No Stud TV Wall Mount, No Drill TV Mount Brackets, Studless TV Hanger” May 7, 2024, Amazon, site visited Aug. 14, 2024: <https://www.amazon.sg/BUSHAD-Brackets-Studless-Suitable-Monitors%EF%BC%8CInclude/dp/B0D2L9C296> (Year: 2024).*

* cited by examiner

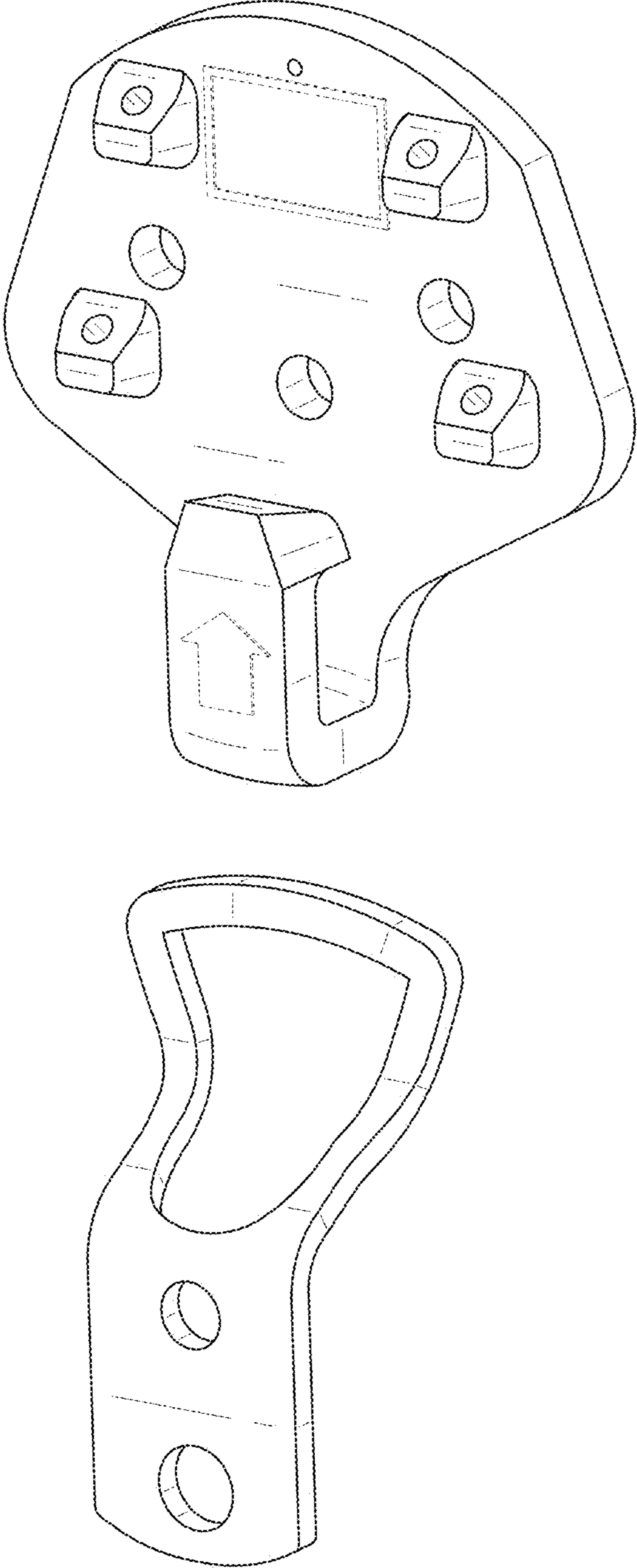


FIG.1

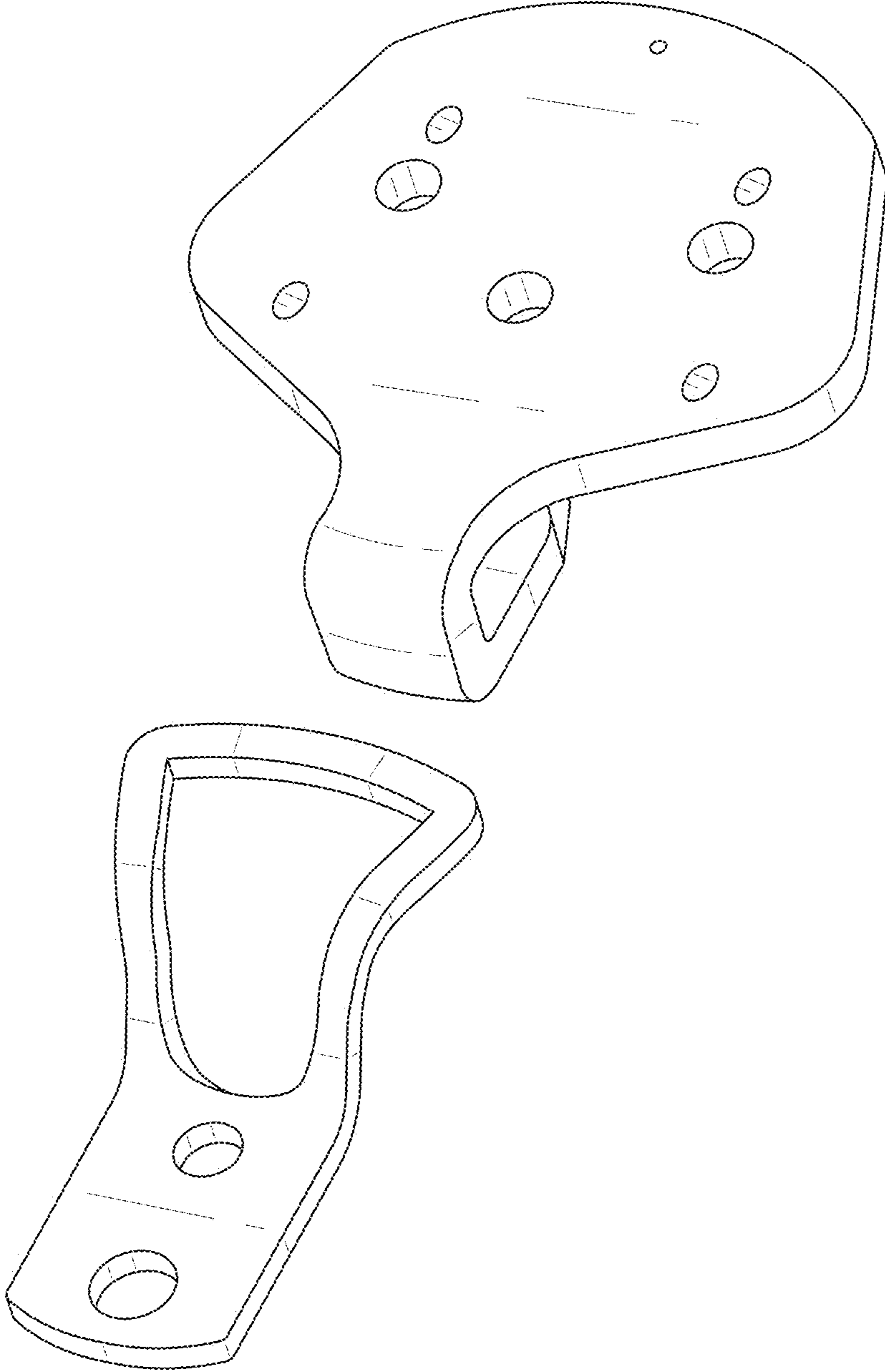


FIG.2

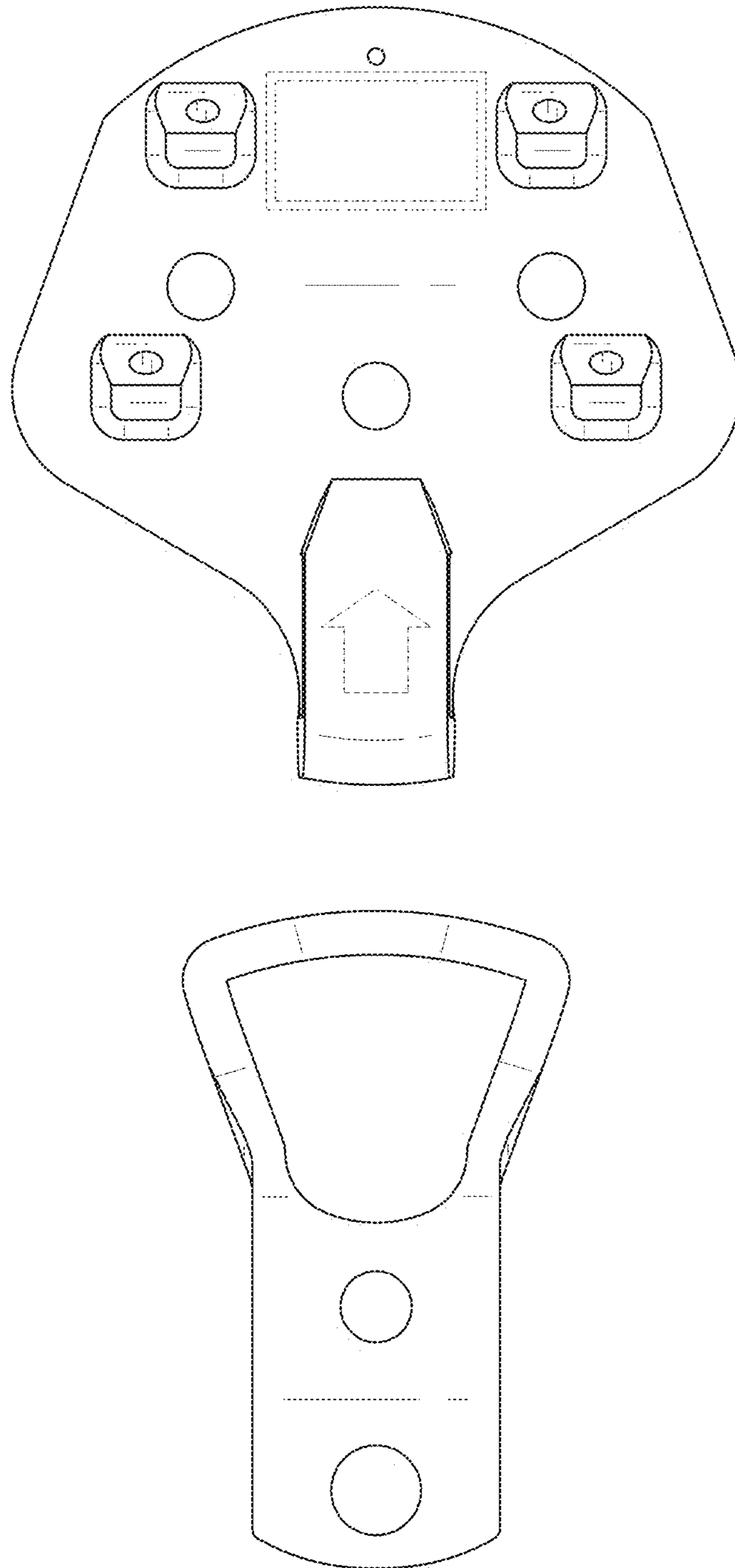


FIG.3

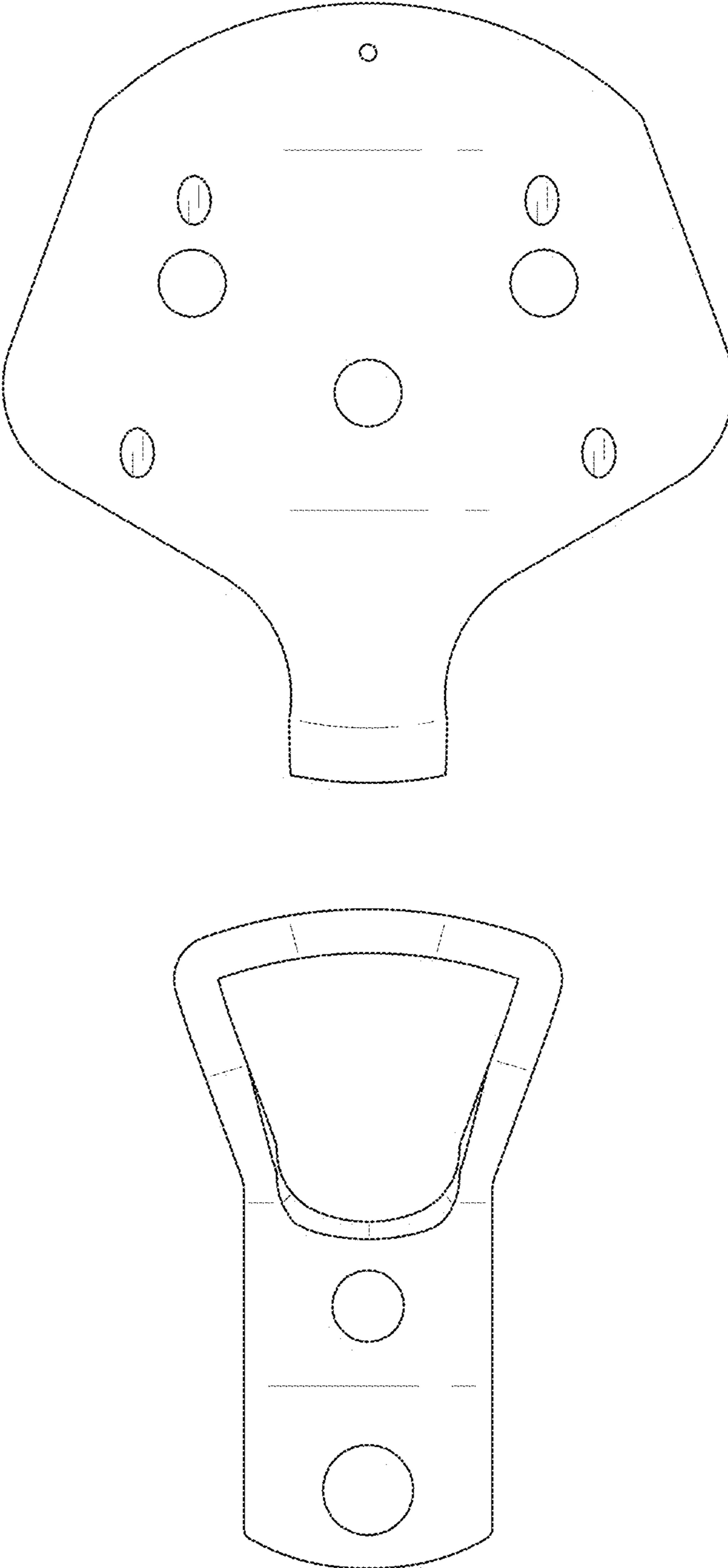


FIG.4

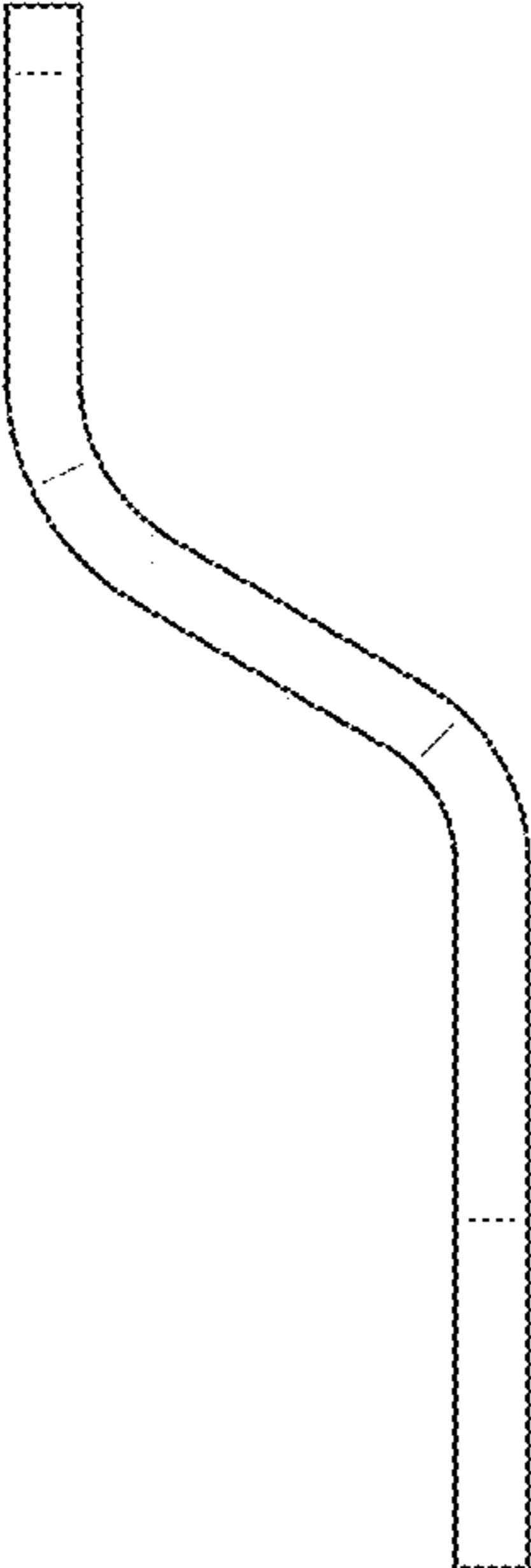
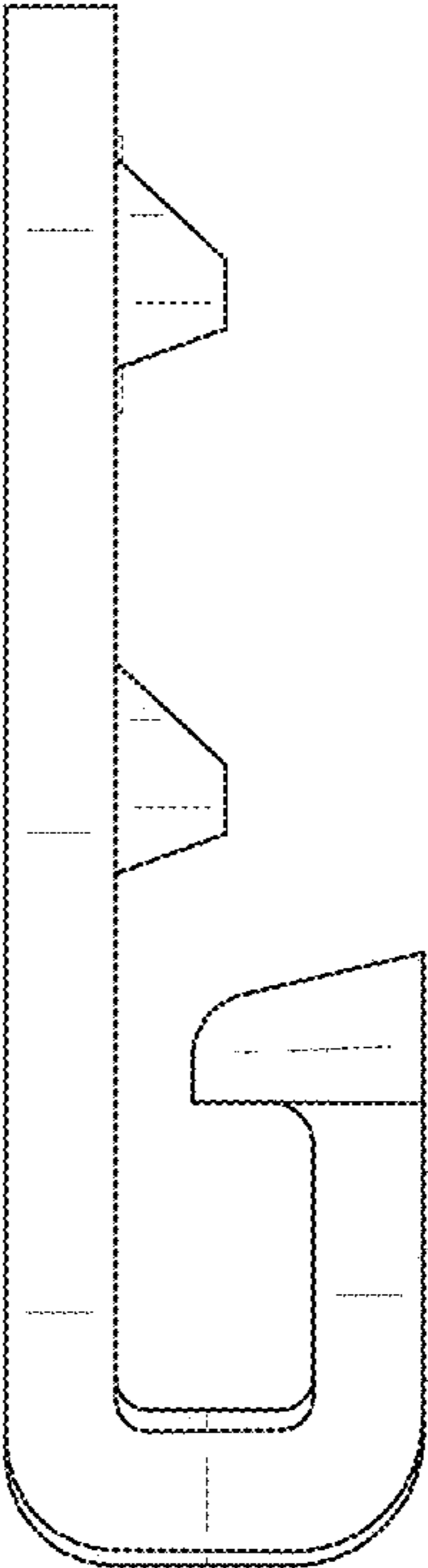


FIG.5

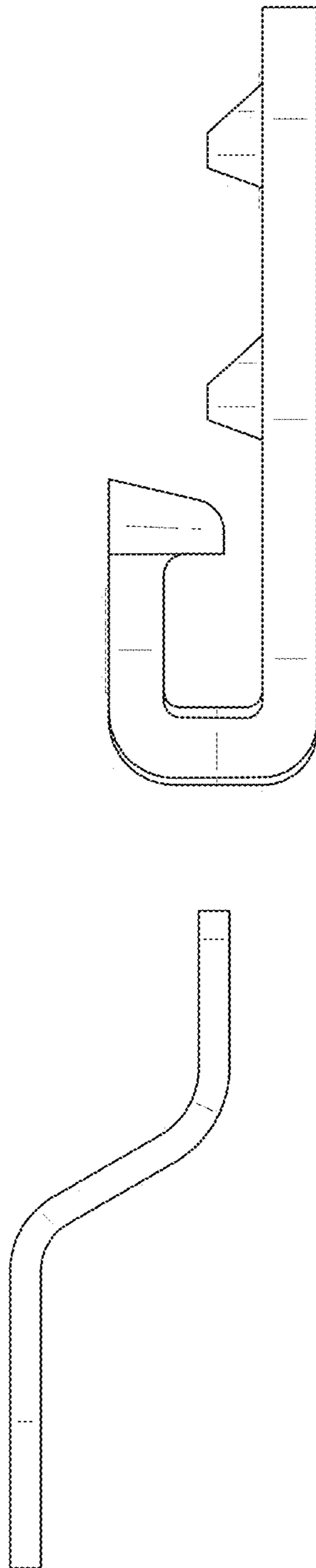


FIG.6

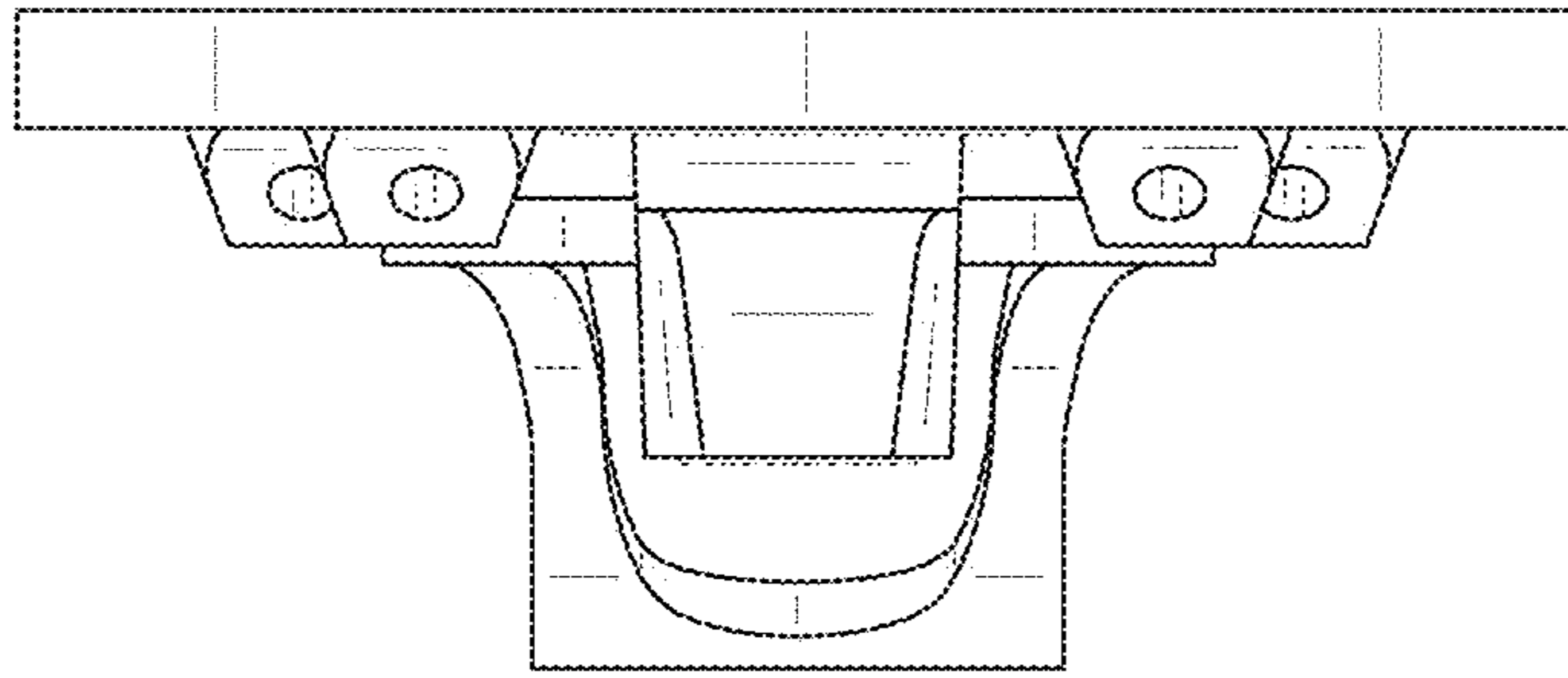


FIG.7

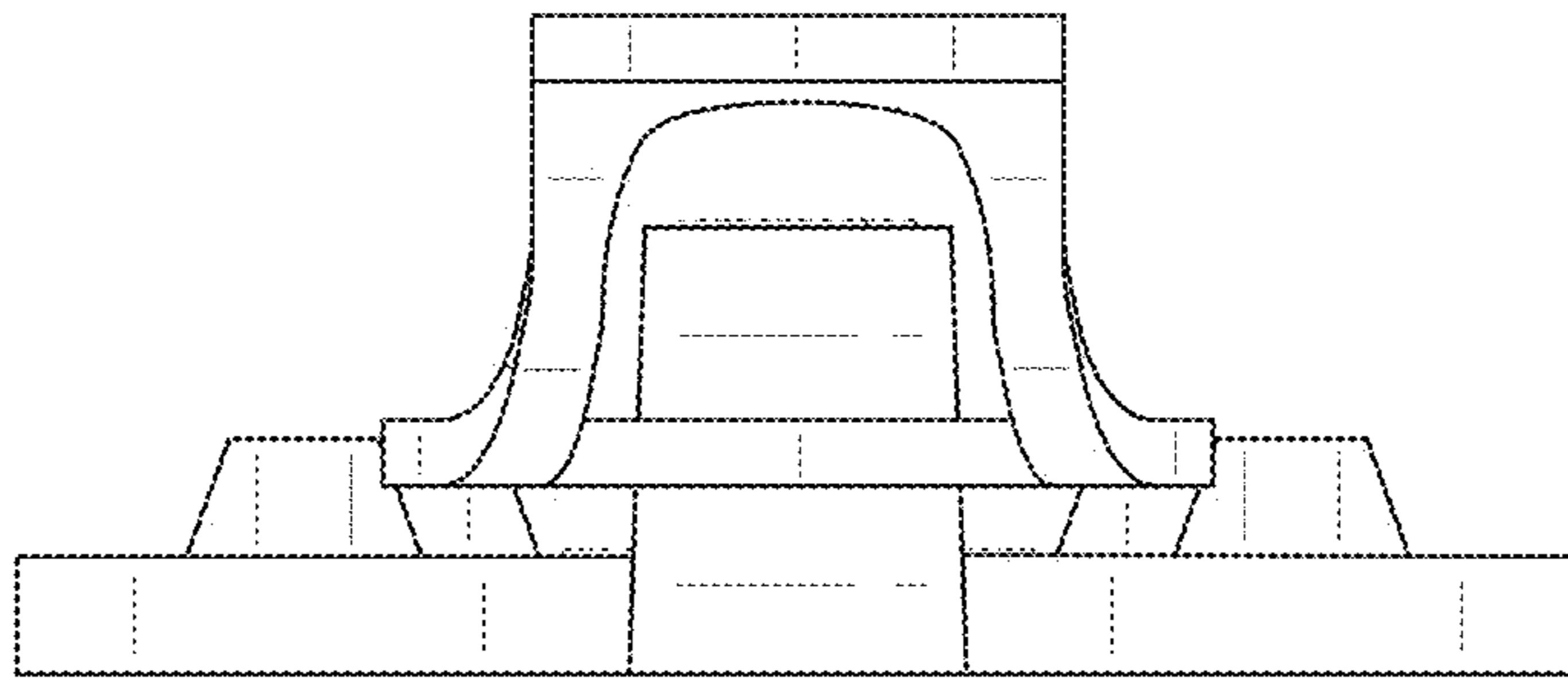


FIG.8

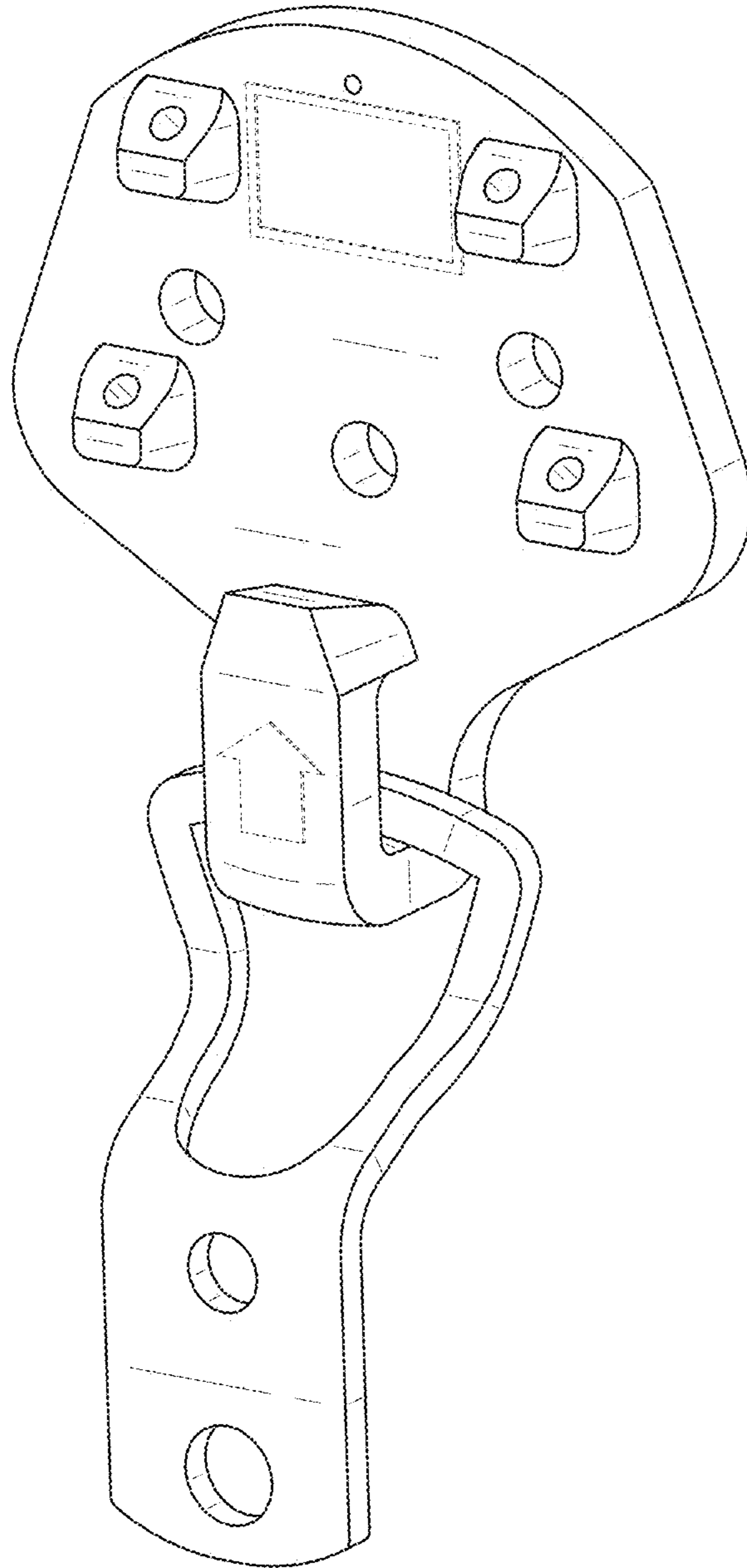


FIG.9