



US0D1050081S

(12) **United States Design Patent** (10) **Patent No.:** **US D1,050,081 S**  
**Yue** (45) **Date of Patent:** **\*\* Nov. 5, 2024**

(54) **SPEAKER**

(71) Applicants: **GUANGZHOU SHIYUAN ELECTRONIC TECHNOLOGY COMPANY LIMITED**, Guangzhou (CN); **GUANGZHOU SHIYUAN ARTIFICIAL INTELLIGENCE INNOVATION RESEARCH INSTITUTE CO., LTD.**, Guangzhou (CN)

(72) Inventor: **Weiyong Yue**, Guangzhou (CN)

(73) Assignees: **GUANGZHOU SHIYUAN ELECTRONIC TECHNOLOGY COMPANY LIMITED**, Guangzhou (CN); **GUANGZHOU SHIYUAN ARTIFICIAL INTELLIGENCE INNOVATION RESEARCH INSTITUTE CO., LTD.**, Guangzhou (CN)

(\*\*) Term: **15 Years**

(21) Appl. No.: **29/843,729**

(22) Filed: **Jun. 23, 2022**

(30) **Foreign Application Priority Data**

Jan. 17, 2022 (CN) ..... 202230030446.4

(51) **LOC (14) Cl.** ..... **14-01**

(52) **U.S. Cl.**  
USPC ..... **D14/222**

(58) **Field of Classification Search**  
USPC ... D14/222, 204, 188, 209.1, 210, 214, 217, D14/221, 224, 257, 440, 445; D13/184; 381/86-87, 386  
CPC ..... H04R 5/00; H04R 1/02; H04R 1/1025; H04R 9/022; H05K 11/02; H05K 7/20; H04B 1/00

See application file for complete search history.

(56) **References Cited**

U.S. PATENT DOCUMENTS

2,866,891 A \* 12/1958 Princ ..... B60R 11/0205  
217/55  
4,012,089 A \* 3/1977 Ward ..... H05K 7/20681  
D13/164  
4,807,292 A \* 2/1989 Sorscher ..... H05K 11/02  
360/137  
D306,592 S \* 3/1990 Hansson ..... D14/213  
D332,261 S \* 1/1993 Mischenko ..... D14/137  
5,285,500 A \* 2/1994 Mantz ..... H04B 1/20  
D14/188  
D359,279 S \* 6/1995 Fujimura ..... D14/442

(Continued)

FOREIGN PATENT DOCUMENTS

CN 307586394 \* 10/2022  
CN 308083903 \* 6/2023

(Continued)

*Primary Examiner* — Paula Allen Greene

(74) *Attorney, Agent, or Firm* — BAYES PLLC

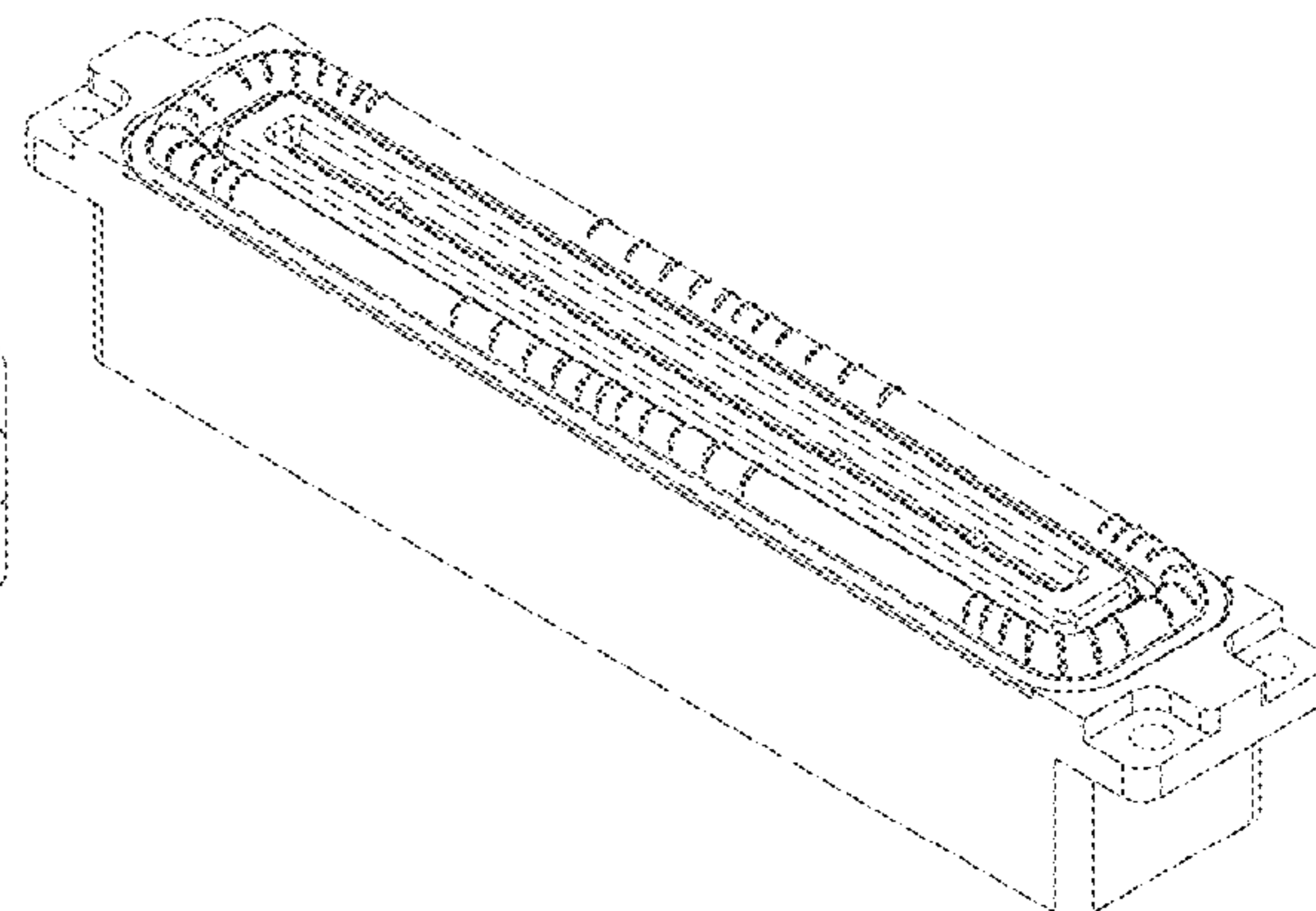
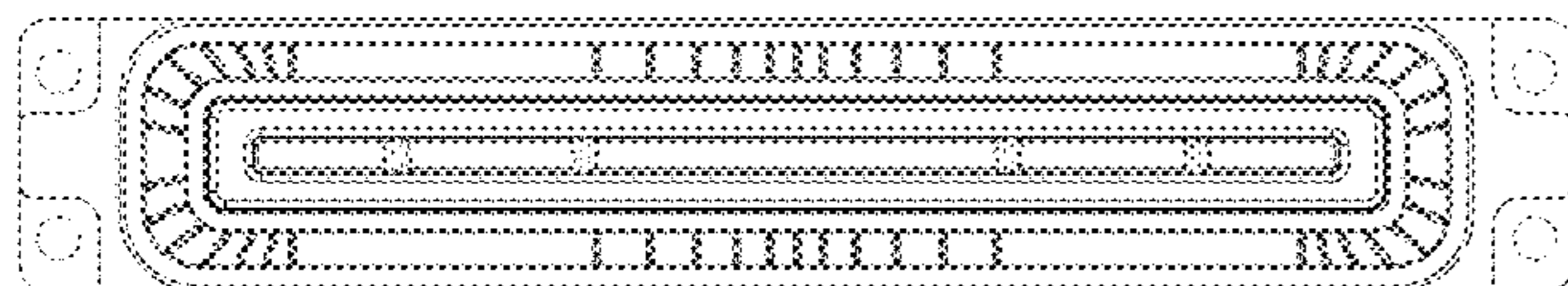
(57) **CLAIM**

The ornamental design for a speaker as shown and described.

**DESCRIPTION**

FIG. 1 is a front view of a speaker showing the new design; FIG. 2 is a rear view thereof; FIG. 3 is an enlarged left side view thereof; FIG. 4 is an enlarged right side view thereof; FIG. 5 is a top view thereof; FIG. 6 is a bottom view thereof; and, FIG. 7 is a right front perspective view thereof. The broken lines depict portions of the speaker that form no part of the claimed design.

**1 Claim, 7 Drawing Sheets**



(56)

References Cited

U.S. PATENT DOCUMENTS

5,864,627 A \* 1/1999 Kim ..... B60R 11/0211  
381/86  
6,147,596 A \* 11/2000 Tsuchiya ..... B60R 11/0241  
455/352  
D441,375 S \* 5/2001 Hisatsune ..... D14/125  
6,377,684 B1 \* 4/2002 Lucey ..... H04M 1/05  
379/430  
D480,693 S \* 10/2003 Johansson ..... D14/502  
D560,213 S \* 1/2008 Inaba ..... D14/222  
D572,714 S \* 7/2008 Chen ..... D14/445  
D589,041 S \* 3/2009 Teulie ..... D14/257  
D589,915 S \* 4/2009 Xie ..... D14/125  
8,379,905 B2 \* 2/2013 He ..... H04R 9/046  
381/386  
8,548,189 B2 \* 10/2013 Xiao ..... H04M 1/03  
381/322  
8,553,926 B2 \* 10/2013 Takewa ..... H04R 7/02  
381/386  
D695,260 S \* 12/2013 Teulie ..... D14/257  
D754,096 S \* 4/2016 Teulie ..... D14/188

D770,414 S \* 11/2016 Davies ..... D14/215  
D818,452 S \* 5/2018 Liu ..... D14/188  
D863,250 S \* 10/2019 Liu ..... D14/188  
D873,787 S \* 1/2020 Bell ..... D14/188  
11,006,222 B2 \* 5/2021 Chen ..... H04R 1/02  
D932,465 S \* 10/2021 Su ..... D14/204  
D983,158 S \* 4/2023 Corley ..... D14/188  
D989,042 S \* 6/2023 Garcia ..... D14/222  
D1,015,296 S \* 2/2024 Lau ..... D14/204  
2014/0119591 A1 \* 5/2014 Meng ..... H04R 9/04  
381/386  
2018/0367890 A1 \* 12/2018 Gu ..... H04R 9/06  
2019/0230445 A1 \* 7/2019 Qin ..... H04R 9/022  
2019/0373370 A1 \* 12/2019 Yang ..... H04R 9/06  
2019/0373372 A1 \* 12/2019 Yang ..... H04R 7/20  
2020/0077198 A1 \* 3/2020 Wu ..... H04R 7/20  
2020/0196048 A1 \* 6/2020 Zhang ..... H04R 7/127

FOREIGN PATENT DOCUMENTS

EM 009061658-0001 \* 6/2022  
JP D1725642 \* 9/2022

\* cited by examiner

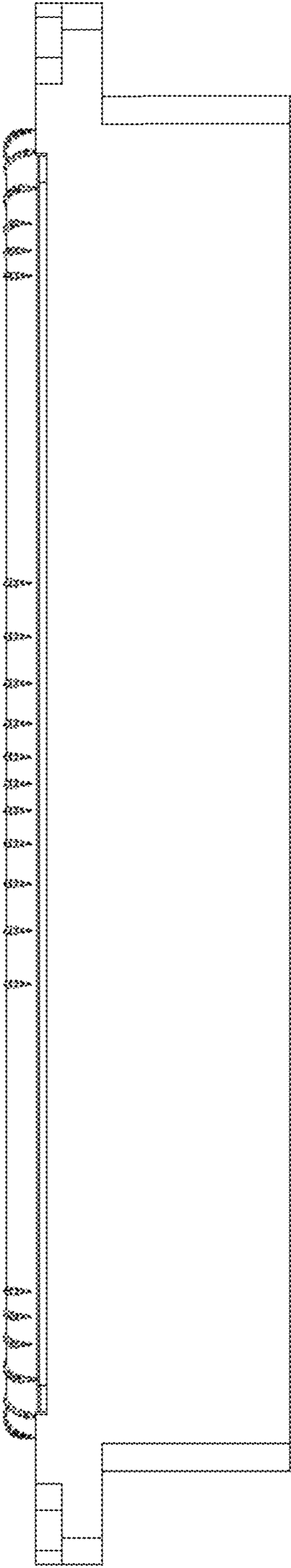


FIG. 1

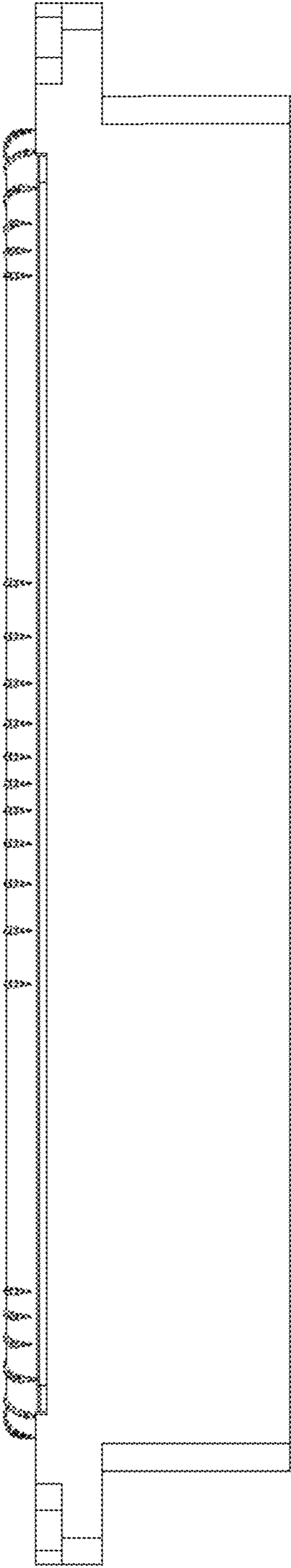


FIG. 2

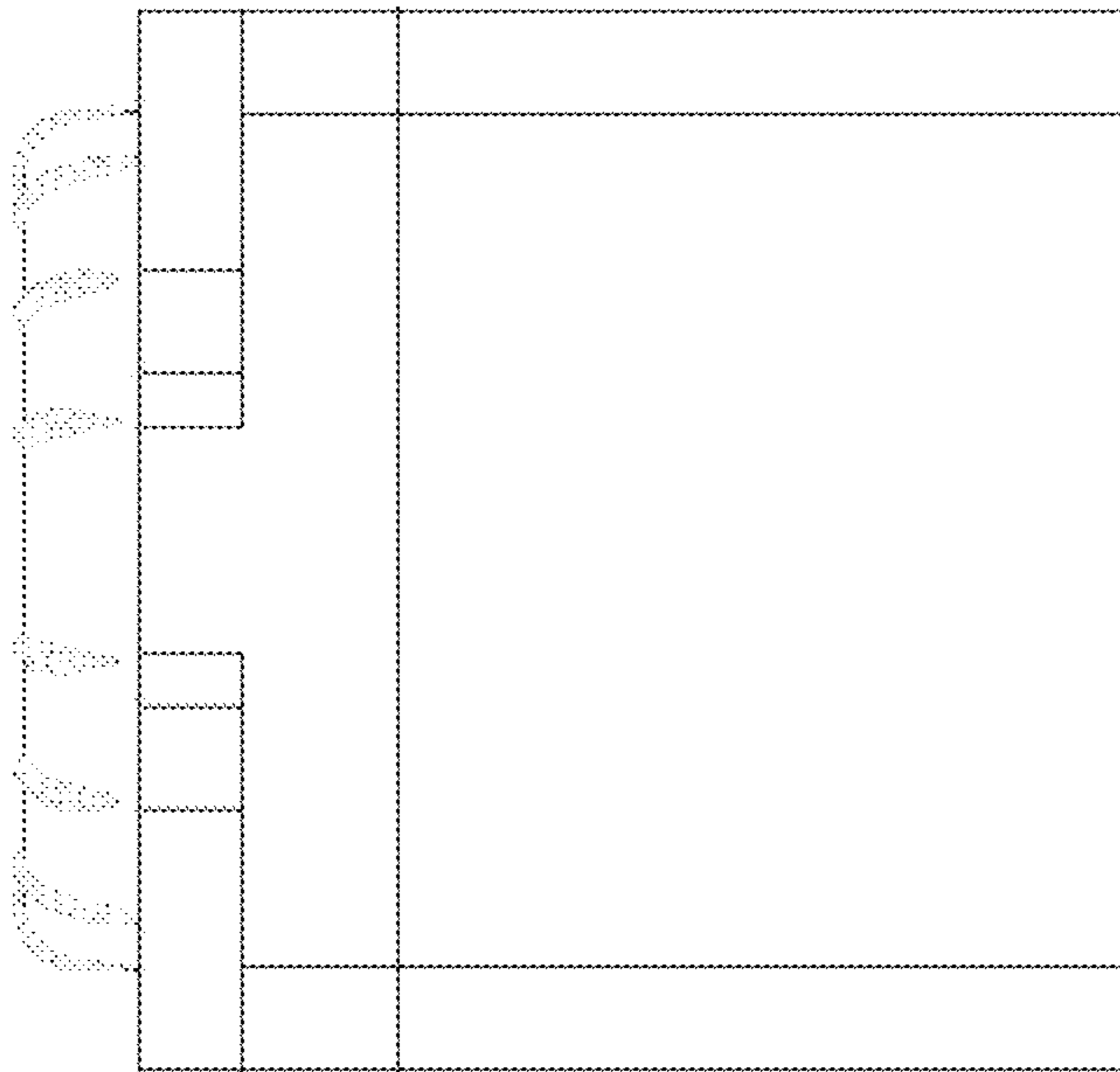


FIG. 3

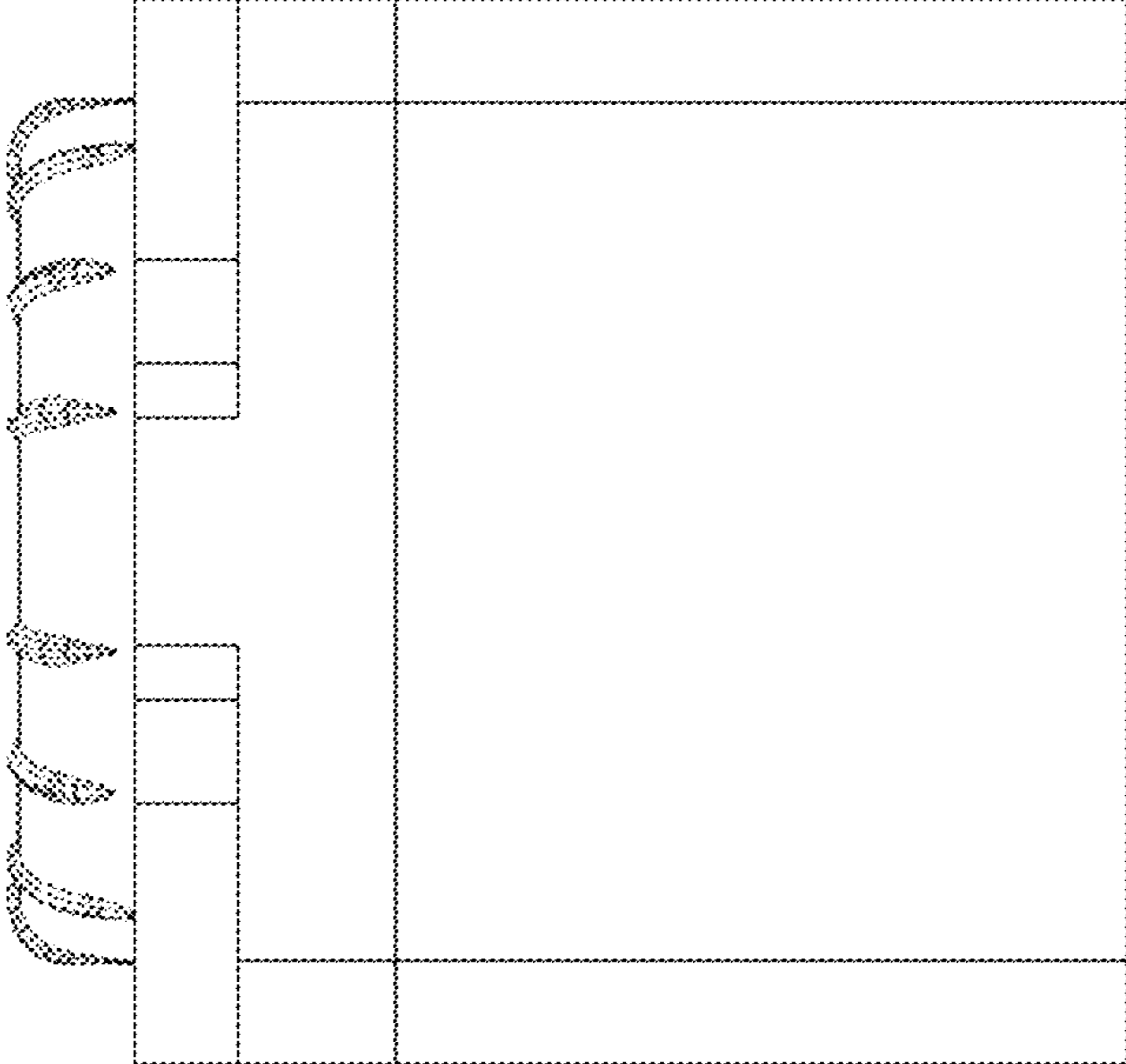


FIG. 4

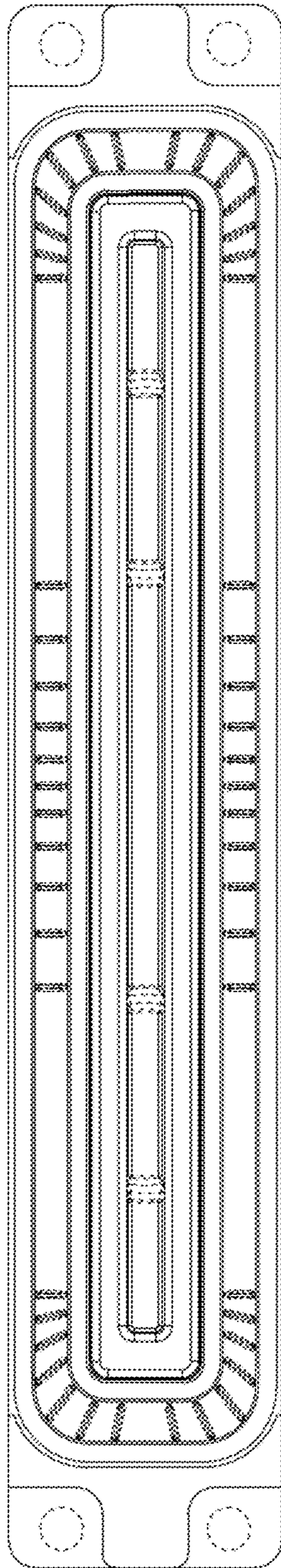


FIG. 5

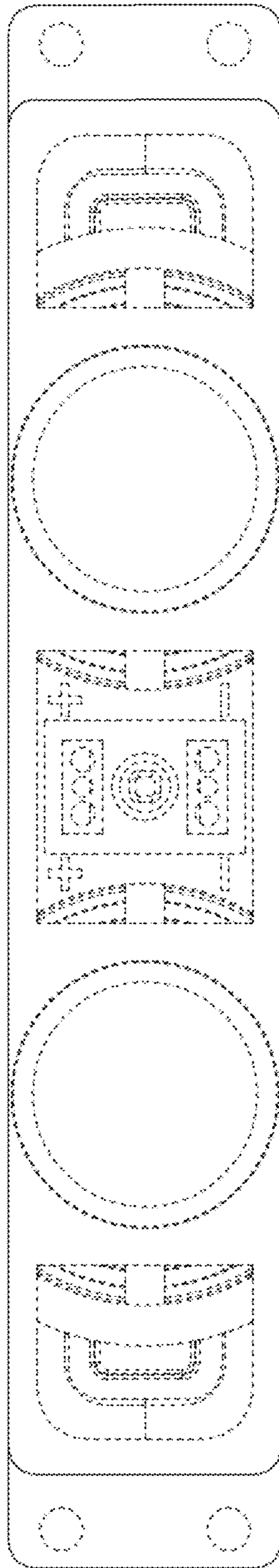


FIG. 6



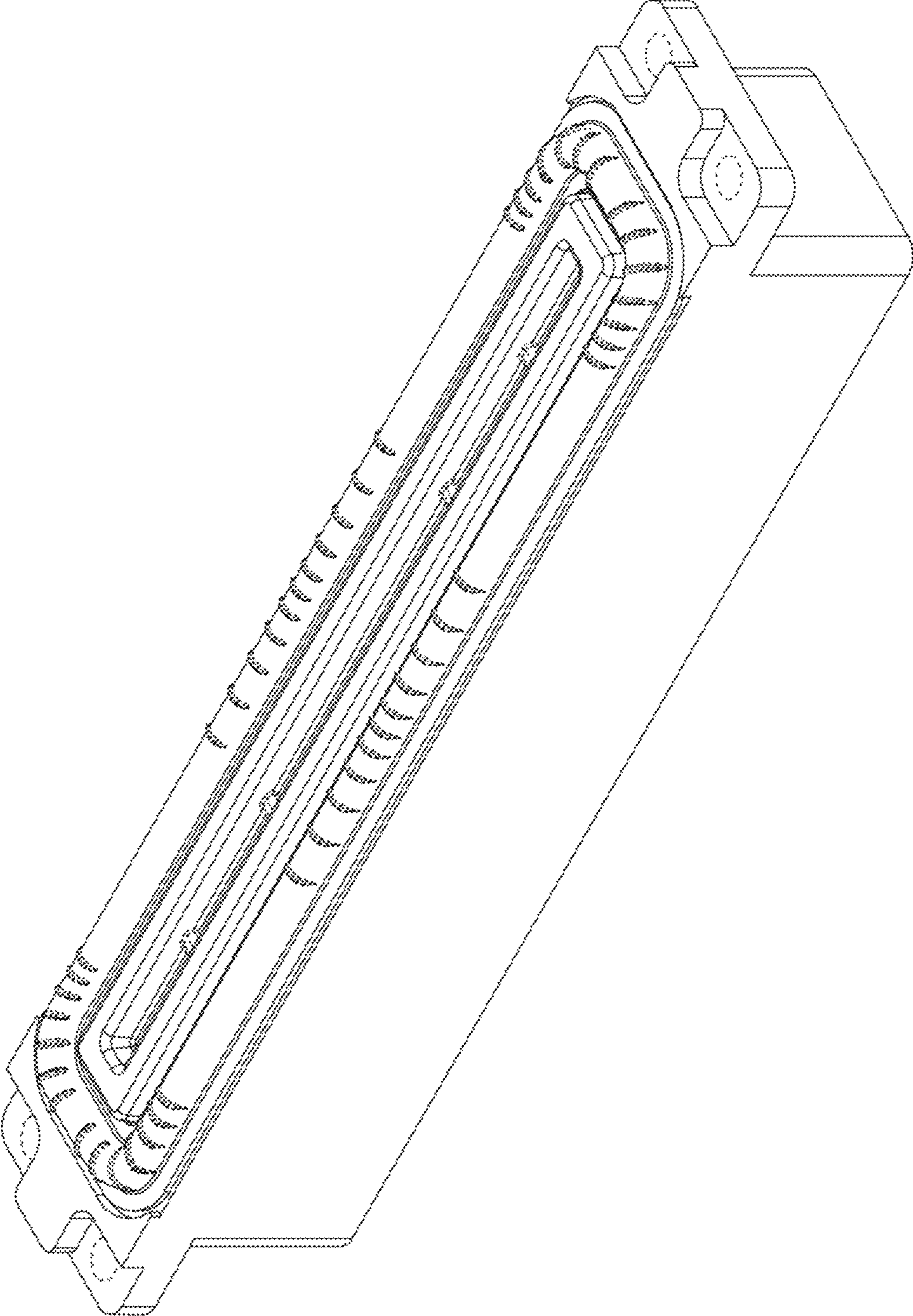


FIG. 7