

US0D1050062S

(12) **United States Design Patent** (10) **Patent No.:** **US D1,050,062 S**
Kim et al. (45) **Date of Patent:** **** Nov. 5, 2024**

(54) **TELEVISION RECEIVER**

(71) Applicant: **LG ELECTRONICS INC.**, Seoul (KR)

(72) Inventors: **Yongseok Kim**, Seoul (KR); **Jiwon Park**, Seoul (KR)

(73) Assignee: **LG ELECTRONICS INC.**, Seoul (KR)

(**) Term: **15 Years**

(21) Appl. No.: **35/519,285**

(22) Filed: **Nov. 10, 2023**

(80) **Hague Agreement Data**

Int. Filing Date: **Nov. 10, 2023**

Int. Reg. No.: **DM/233459**

Int. Reg. Date: **Nov. 10, 2023**

Int. Reg. Pub. Date: **Dec. 8, 2023**

(30) **Foreign Application Priority Data**

Jun. 21, 2023 (KR) 30-2023-0023754

(51) **LOC (14) Cl.** **14-03**

(52) **U.S. Cl.**
USPC **D14/126**

(58) **Field of Classification Search**

USPC D14/125, 126, 134, 238, 239, 336, 371,
D14/374, 375, 376, 377, 448, 451;
D19/113, 114; D6/328, 332

CPC H04N 7/00; H04N 9/3141; H04N 17/04;
H04N 17/004; H04N 21/43637; G06F
1/1601; G06F 1/1605; G06F 1/162

See application file for complete search history.

(56) **References Cited**

U.S. PATENT DOCUMENTS

5,701,904 A * 12/1997 Simmons A61B 3/1208
600/358

D414,751 S * 10/1999 Yogalingam D3/276

D438,381 S * 3/2001 Sijmons D3/276
D494,165 S * 8/2004 Yokota D14/341
D542,751 S * 5/2007 Guo D14/132
D568,846 S * 5/2008 Lee D14/132
D575,253 S * 8/2008 Kuether D14/134
D575,752 S * 8/2008 Kuether D14/134
D793,727 S * 8/2017 Bründl D3/289
D883,665 S * 5/2020 Agerbaek D3/274
D886,451 S * 6/2020 Plehn D14/129
D939,854 S * 1/2022 Smullen D6/406.3

(Continued)

OTHER PUBLICATIONS

“Poga Lux PlayStation 5 Premium Portable Console Travel Case incl. Trolley and 24" AOC Gaming Monitor—Black (V2—Bluetooth Speaker Optional)” Dec. 1, 2022, Amazon, site visited Jul. 27, 2024: <https://www.amazon.com/PlayStation-Premium-Portable-Console-Trolley-5/dp/B0BNW6N5WT> (Year: 2022).*

(Continued)

Primary Examiner — Jack Reickel

Assistant Examiner — Russell Carnell Smith, Jr.

(74) *Attorney, Agent, or Firm* — Birch, Stewart, Kolasch & Birch, LLP

(57) **CLAIM**

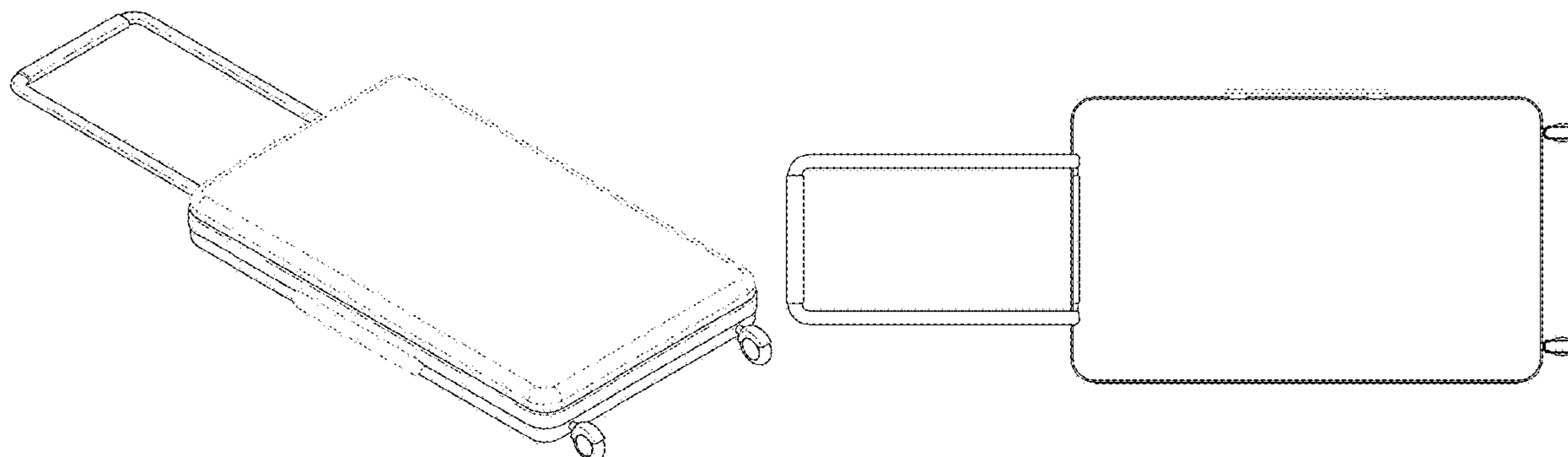
The ornamental design for a television receiver as shown and described.

DESCRIPTION

- 1.1 : Perspective
- 1.2 : Front
- 1.3 : Back
- 1.4 : Left
- 1.5 : Right
- 1.6 : Top
- 1.7 : Bottom

The broken lines indicate portions of the television receiver that form no part of the claimed design.

1 Claim, 7 Drawing Sheets



(56)

References Cited

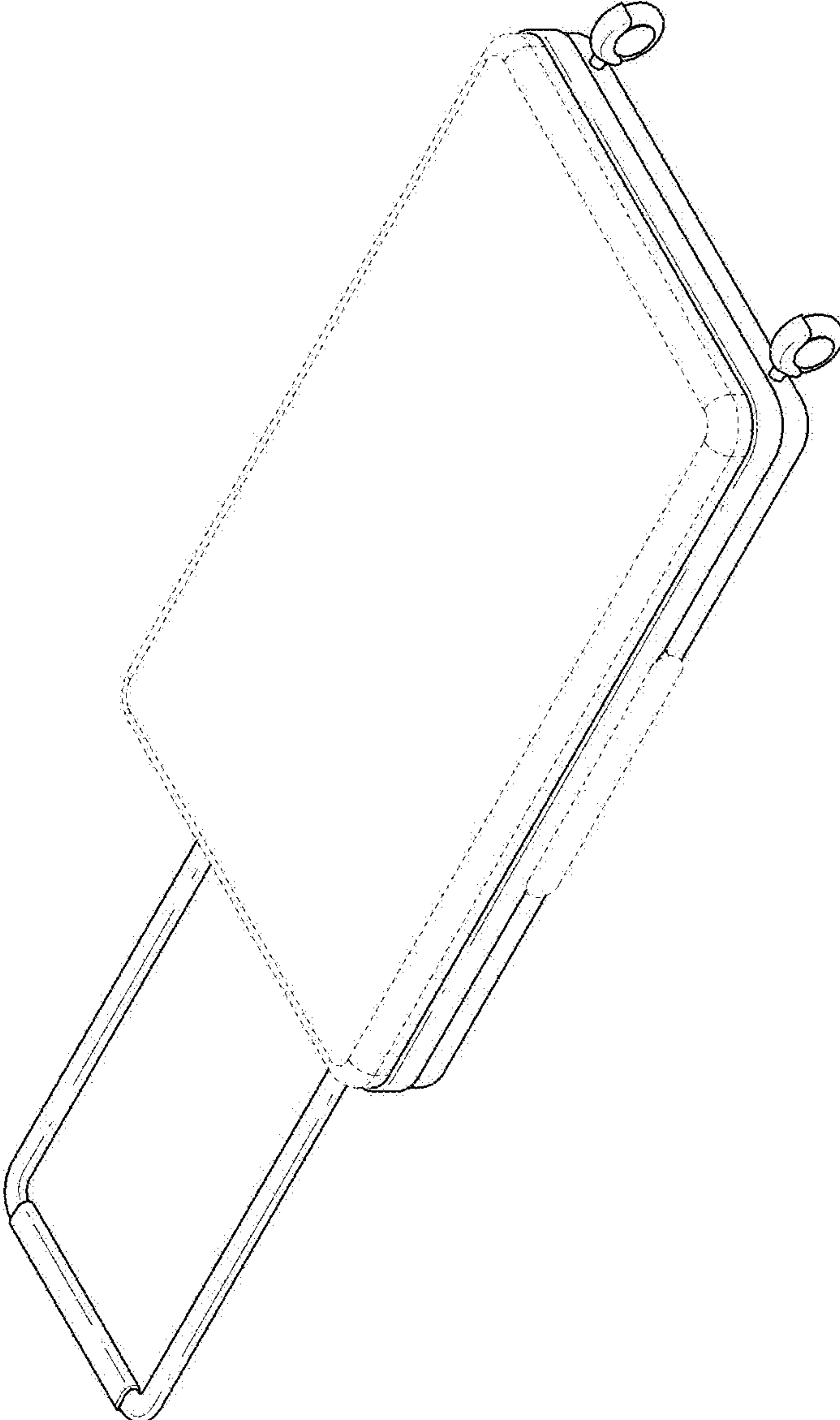
U.S. PATENT DOCUMENTS

D1,029,824 S * 6/2024 Li D14/134
D1,033,410 S * 7/2024 Kim D14/239
D1,034,498 S * 7/2024 Lee D14/134
2006/0288380 A1 * 12/2006 Vitito B60R 11/0235
725/77
2013/0146118 A1 * 6/2013 Kelley H02S 40/34
174/541
2018/0232012 A1 * 8/2018 Wu G06F 1/1656
2020/0409433 A1 * 12/2020 Strobridge G06F 1/1605

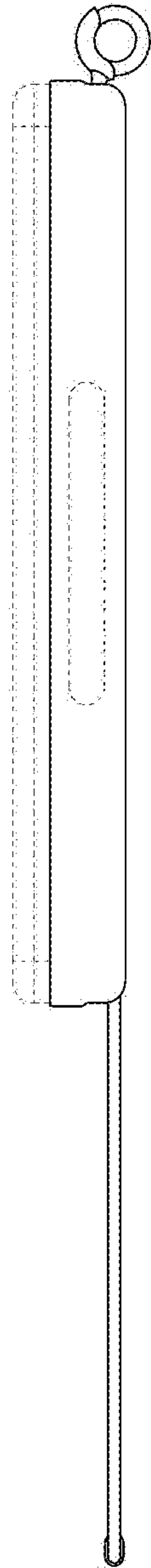
OTHER PUBLICATIONS

“Case Club Gaming Station to Fit Xbox Series X or S. Comes with Built-in 24' 1080 Monitor, Cooling Fans, & Speakers” Apr. 12, 2022, Amazon, site visited Jul. 27, 2024: <https://www.amazon.ae/Case-Club-Pro-Speakers-Controllers/dp/B09WJM76RL> (Year: 2022).*

* cited by examiner

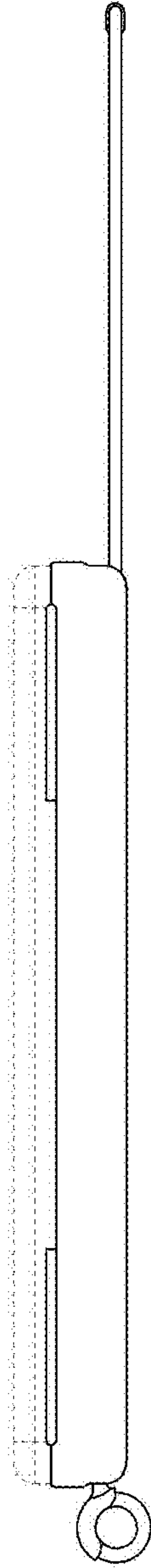


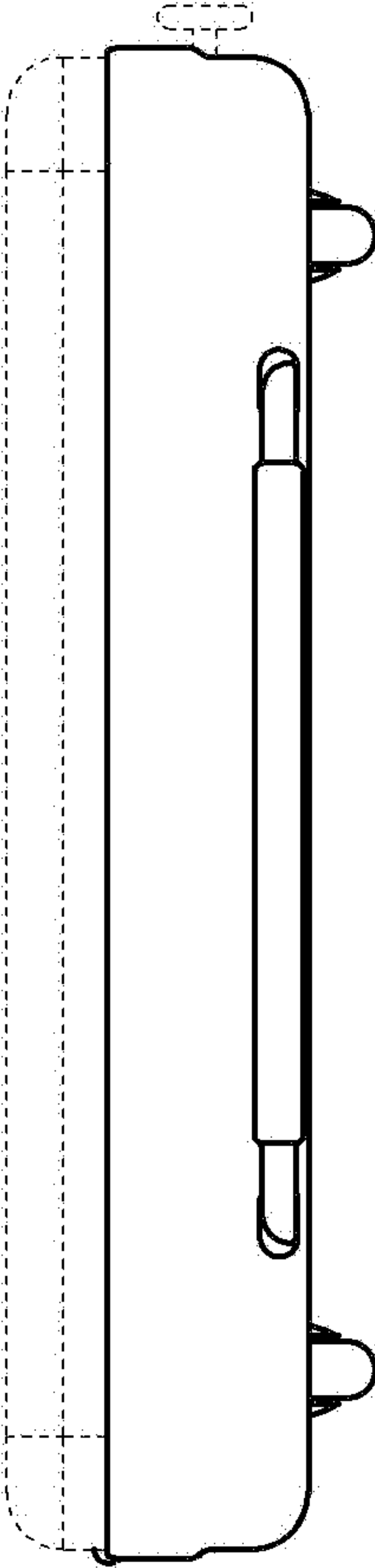
1-1



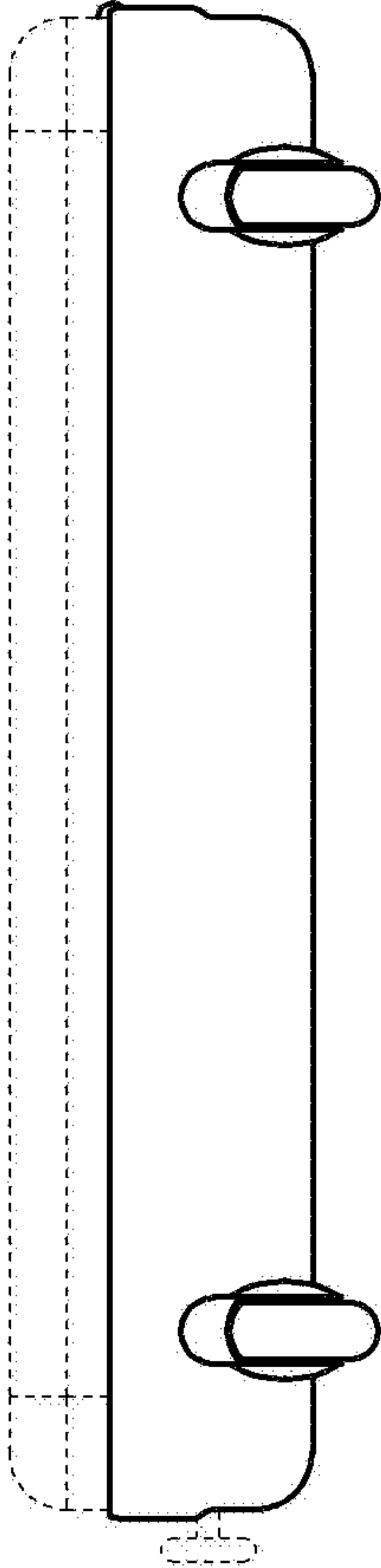
1:2

1.3

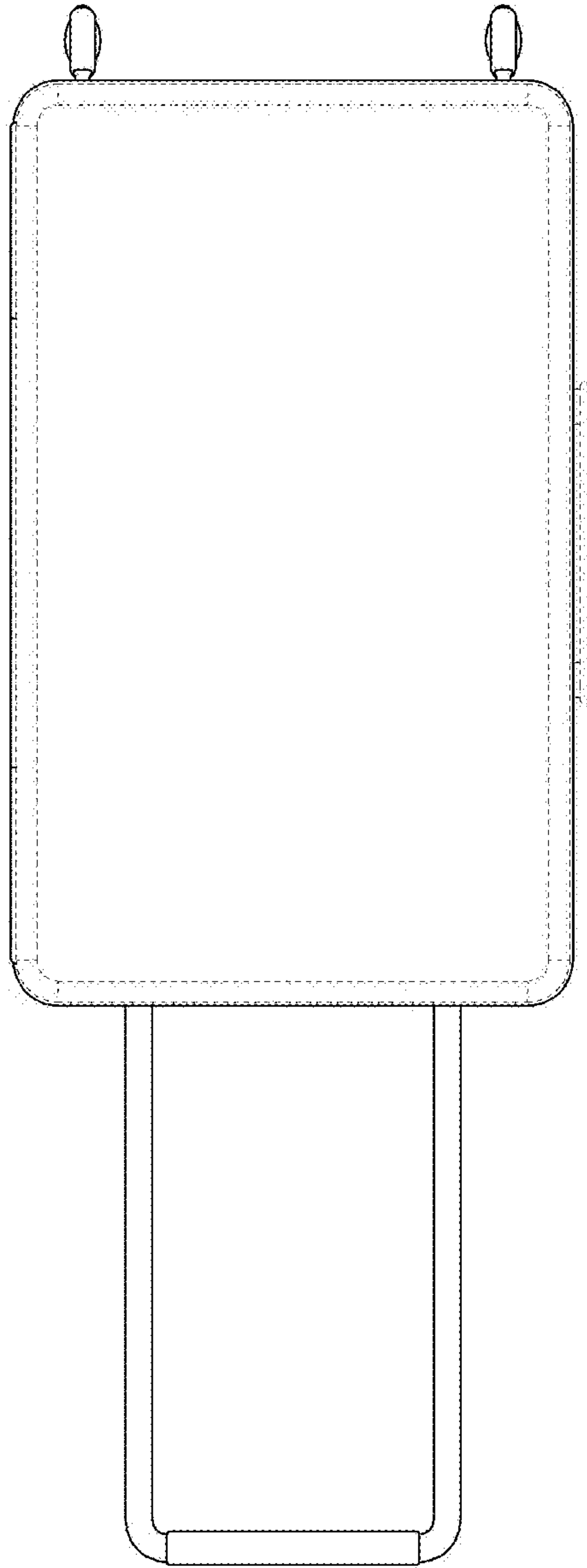




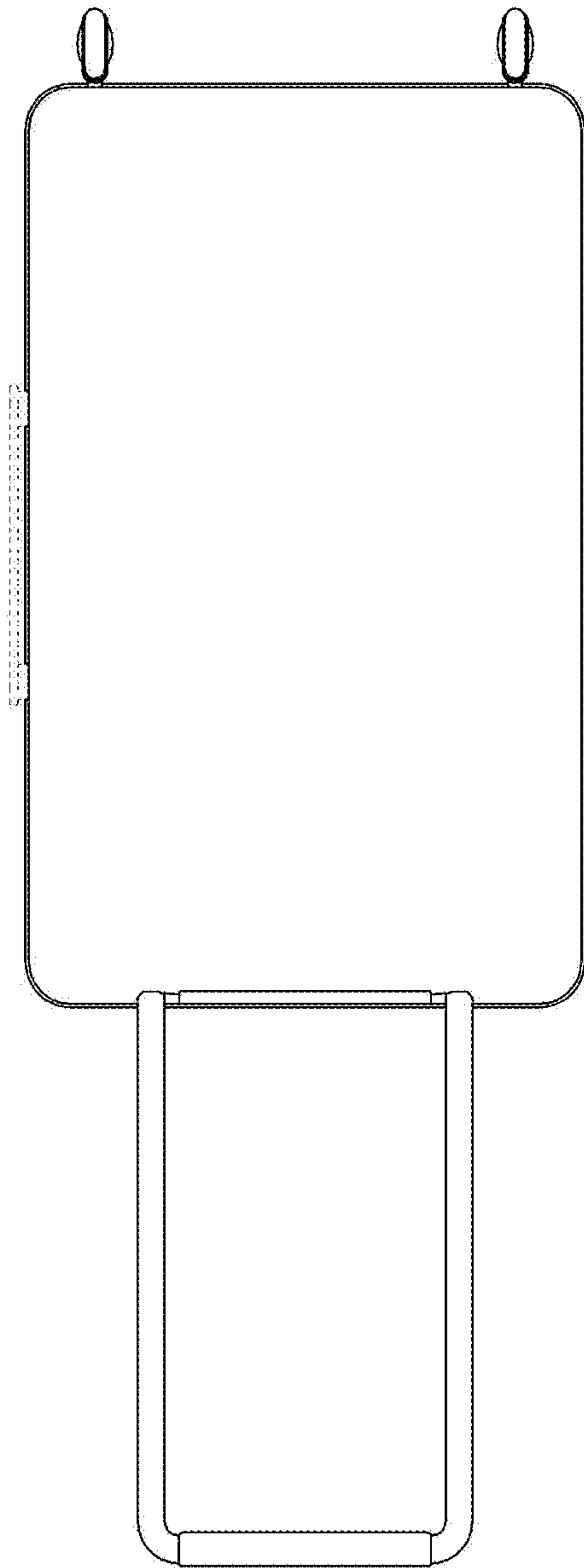
1.4



1.5



1.6



1.7