



US0D1050041S

(12) **United States Design Patent** (10) **Patent No.:** **US D1,050,041 S**
Zou (45) **Date of Patent:** **** Nov. 5, 2024**

(54) **BATTERY ADAPTER**

(71) Applicant: **Qun'e Zou**, Hunan (CN)

(72) Inventor: **Qun'e Zou**, Hunan (CN)

(73) Assignee: **Qun'e Zou**, Shaoyang (CN)

(**) Term: **15 Years**

(21) Appl. No.: **29/828,529**

(22) Filed: **Feb. 27, 2022**

(51) **LOC (14) Cl.** **13-02**

(52) **U.S. Cl.**
USPC **D13/119; D13/103**

(58) **Field of Classification Search**
USPC D13/108, 110, 118, 119, 123, 162, 168,
D13/169, 174, 177, 184, 199, 120, 151,
D13/103; D14/438

CPC H01H 43/024; H02M 7/003; H02M 1/36;
H02M 1/14; H02G 5/02; B60L 3/003;
H05K 5/00; H05K 5/02; H05K 5/0247
See application file for complete search history.

(56) **References Cited**

U.S. PATENT DOCUMENTS

D306,574 S *	3/1990	Schultz	D13/103
D321,338 S *	11/1991	Sakamoto	D13/103
D397,991 S *	9/1998	Kawakami	D13/103
D412,485 S *	8/1999	Kato	D13/103
D417,648 S *	12/1999	Clowers	D13/103
6,007,939 A *	12/1999	Clowers	H01M 50/213 429/100
D432,077 S *	10/2000	Zurwelle	D13/103
D474,445 S *	5/2003	Matsuoka	D13/103
D504,394 S *	4/2005	Cheung	D13/103
D522,963 S *	6/2006	Hayes	D13/108
D553,562 S *	10/2007	Okada	D13/103
D575,224 S *	8/2008	Taniguchi	D13/103
D579,868 S *	11/2008	Harrison	D13/103
D580,353 S *	11/2008	Harrison	D13/103

D590,333 S *	4/2009	Price	D13/103
D622,660 S *	8/2010	Taniguchi	D13/103
D682,195 S *	5/2013	Aglassinger	D13/103
D699,672 S *	2/2014	Kosugi	D13/103
D710,299 S *	8/2014	Dyson	D13/103
D817,869 S *	5/2018	Lee	D13/103

(Continued)

OTHER PUBLICATIONS

Ecarke for Power Wheels Adaptor, available in Amazon.com, date first available Jun. 28, 2021 [online], [site visited Mar. 8, 2024], Available from the internet URL: <https://www.amazon.com/Adaptor-Battery-Connector-Robotics-Terminals%EF%BC%89/dp/B09839SHRK?th=1> (Year: 2021).*

(Continued)

Primary Examiner — Rosemary K Tarcza
Assistant Examiner — Leah E Hoferkamp
(74) *Attorney, Agent, or Firm* — Jeenam Park

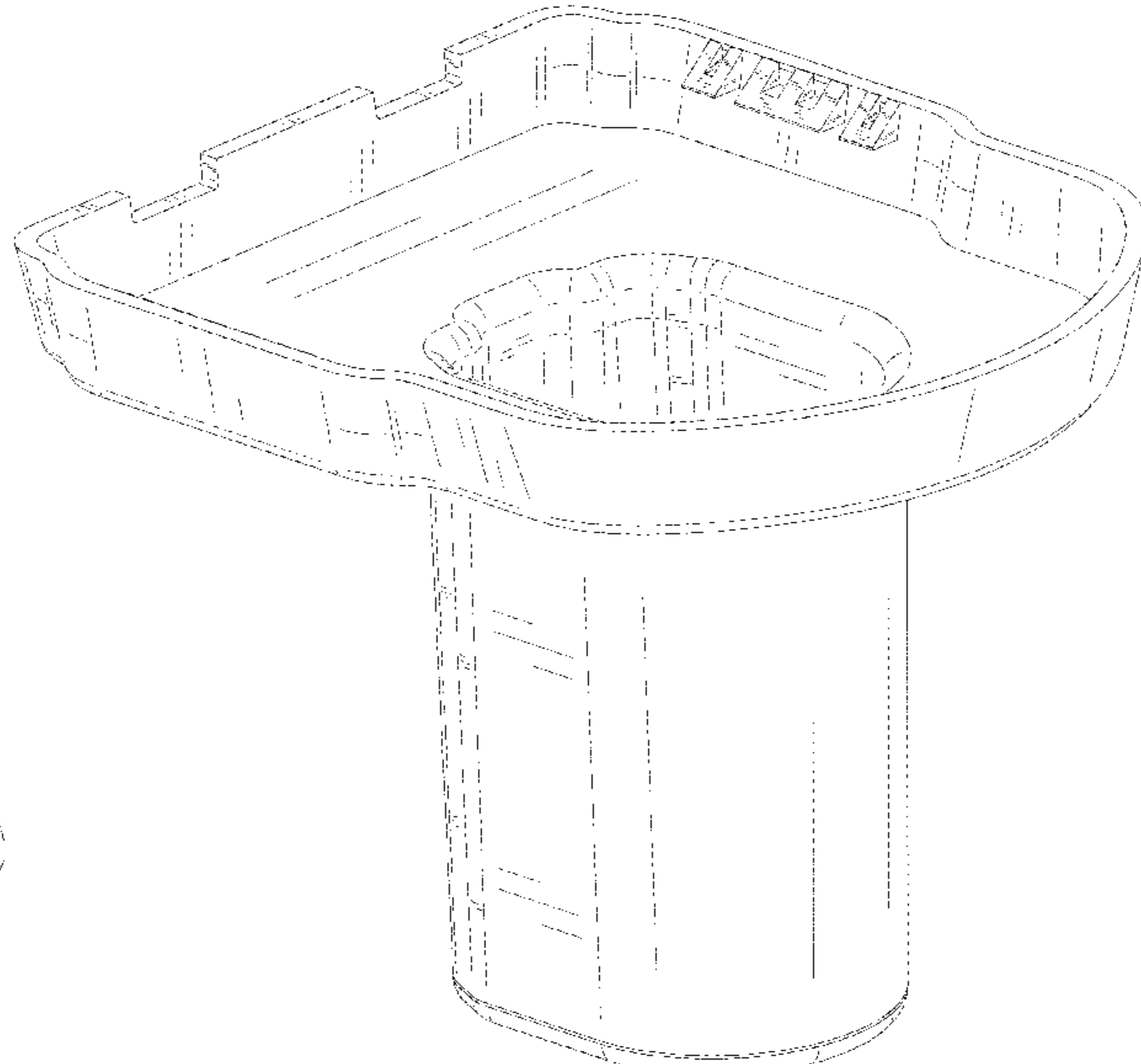
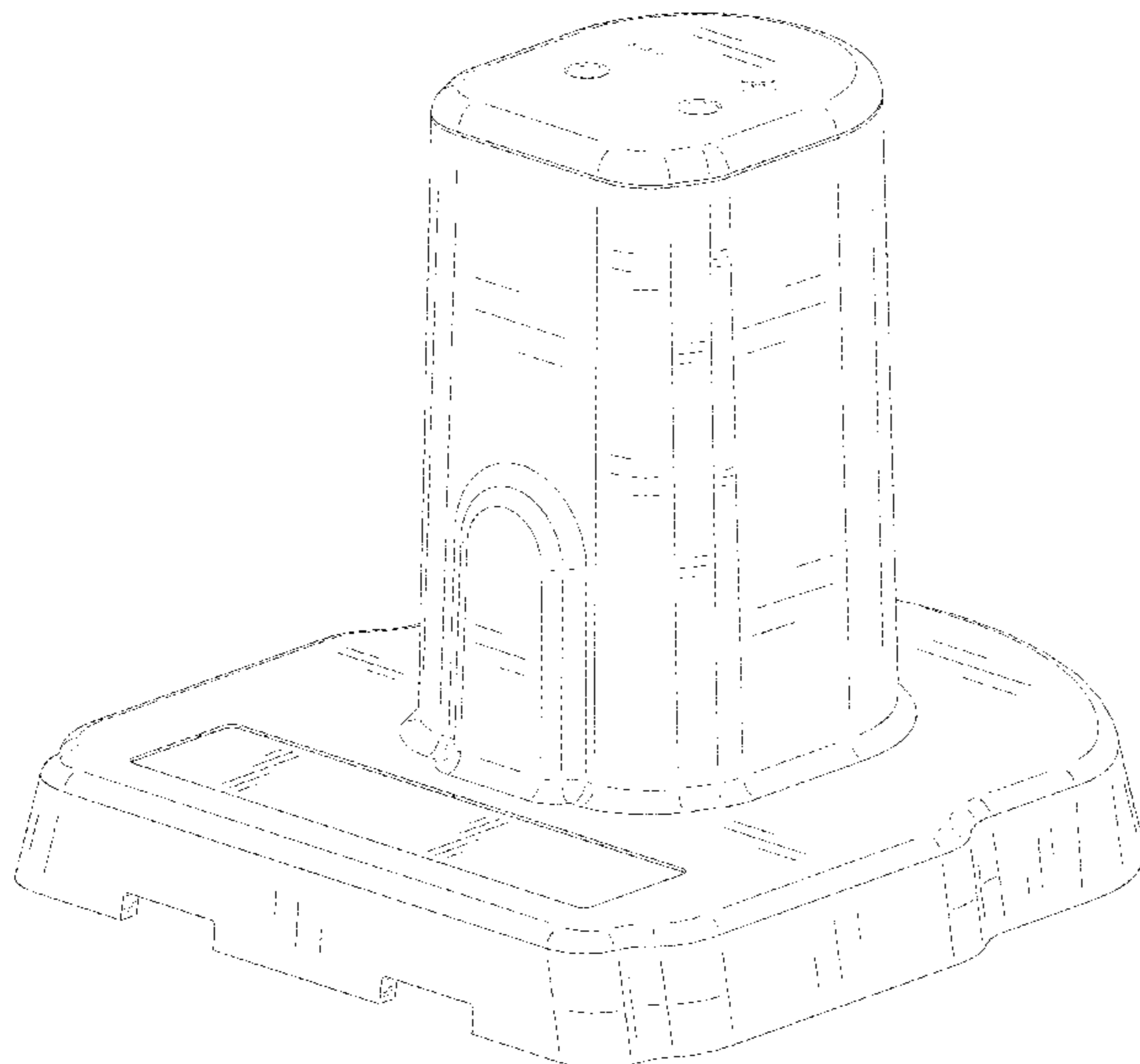
(57) **CLAIM**

The ornamental design for a battery adapter, as shown and described.

DESCRIPTION

FIG. 1 is a perspective view of the battery adapter showing my new design;
FIG. 2 is a perspective view thereof from another angle;
FIG. 3 is a perspective view thereof from a different angle;
FIG. 4 is a front elevational view thereof;
FIG. 5 is a rear elevational view thereof;
FIG. 6 is a left side elevational view thereof;
FIG. 7 is a right side elevational view thereof;
FIG. 8 is a top plan view thereof; and,
FIG. 9 is a bottom plan view thereof.
The broken lines in the drawing are for the purpose of illustrating portions of the article that form no part of the claimed design.

1 Claim, 9 Drawing Sheets



(56)

References Cited

U.S. PATENT DOCUMENTS

D823,247 S * 7/2018 Lemelson D13/103
D887,981 S * 6/2020 Roberts D13/103
D967,577 S * 10/2022 Tucker D32/31
D1,021,773 S * 4/2024 Huang D13/103
2017/0271645 A1 * 9/2017 Brush B25F 5/02

OTHER PUBLICATIONS

Crivnhar Power Wheel Adapter, available in Amazon.com, date first available Oct. 11, 2021 [online], [site visited Mar. 8, 2024], Available from the internet URL: <https://www.amazon.ca/dp/B09GXBJMNF/> (Year: 2021).*

* cited by examiner

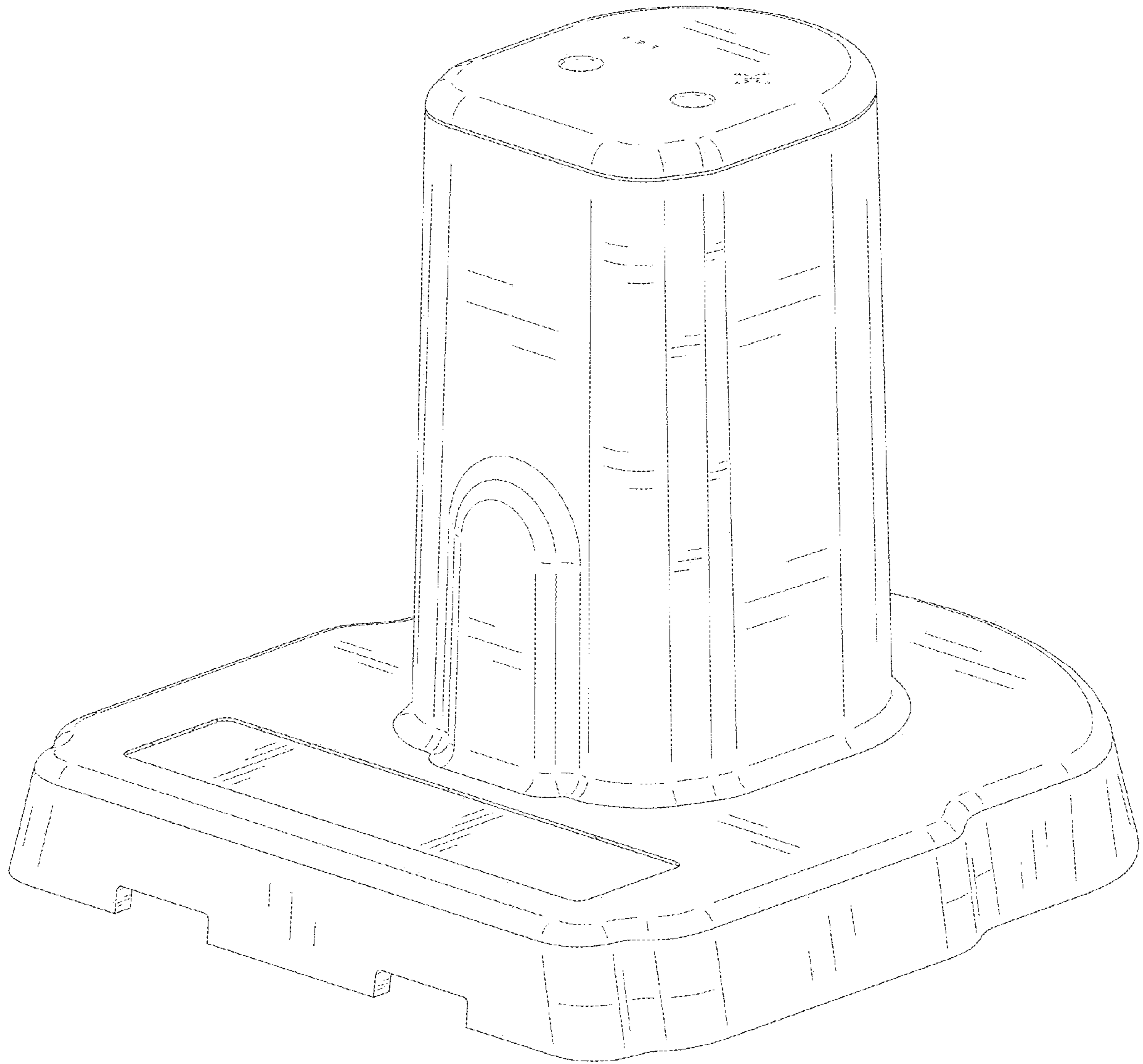


FIG. 1

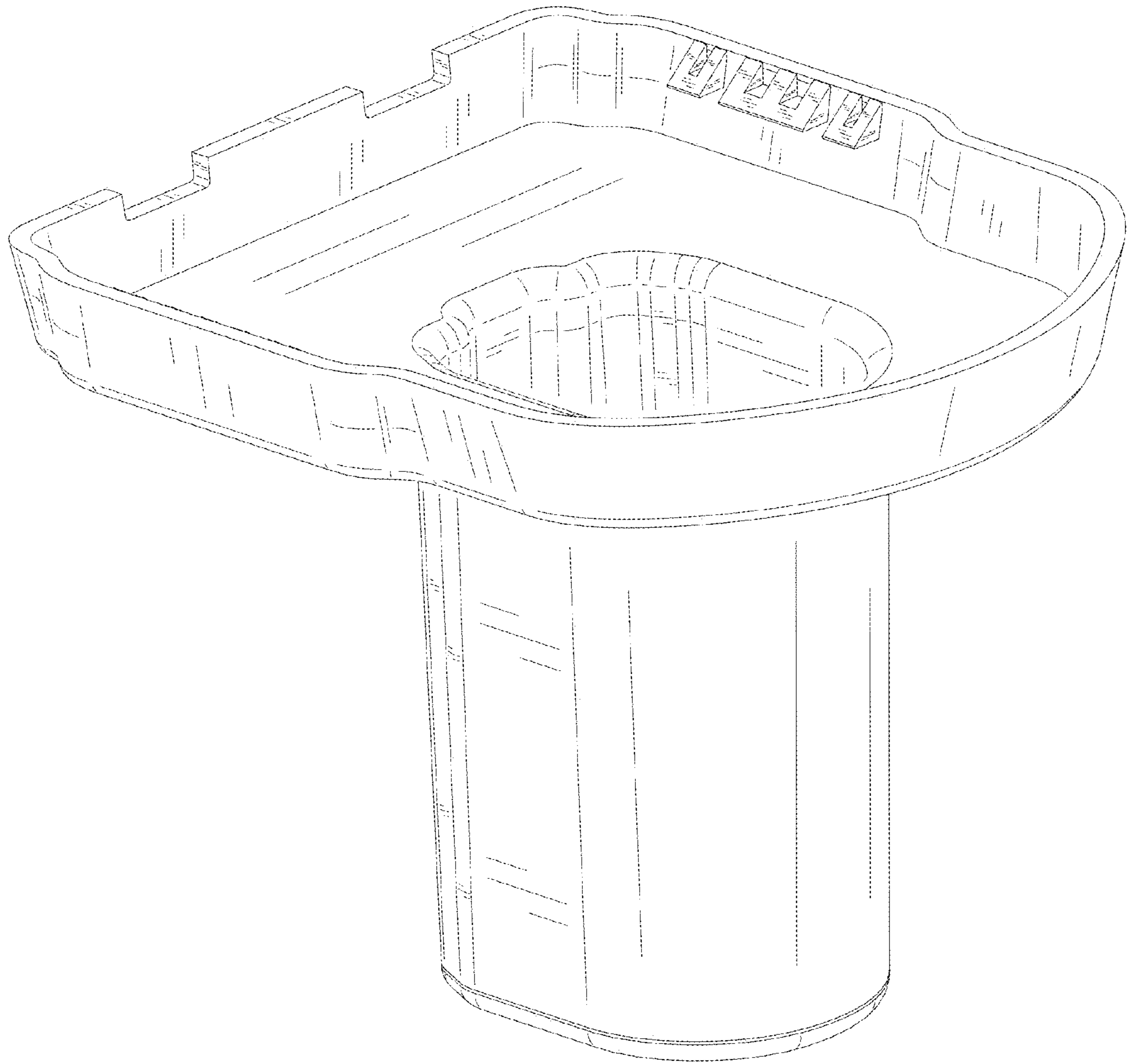


FIG. 2

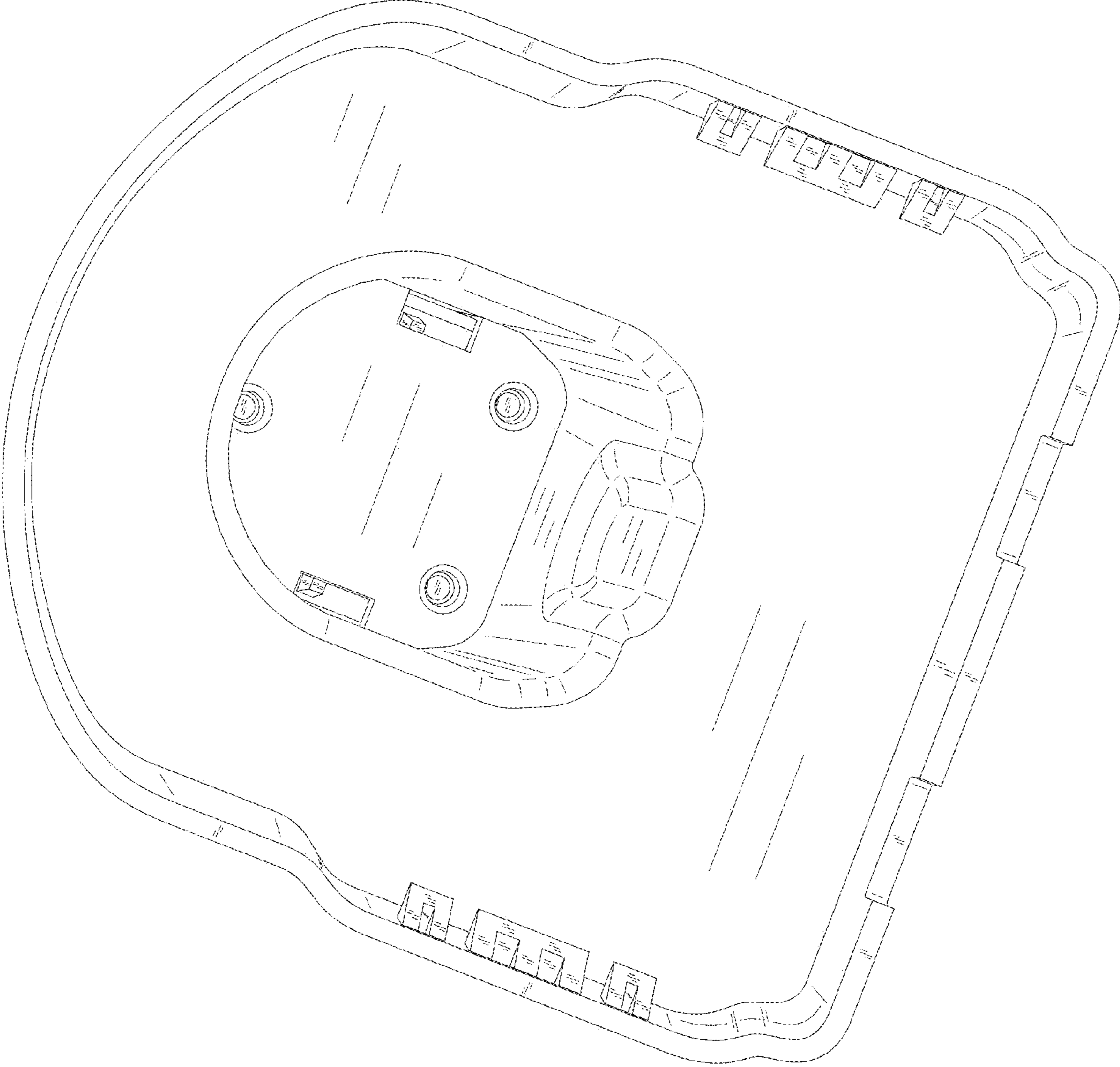


FIG. 3

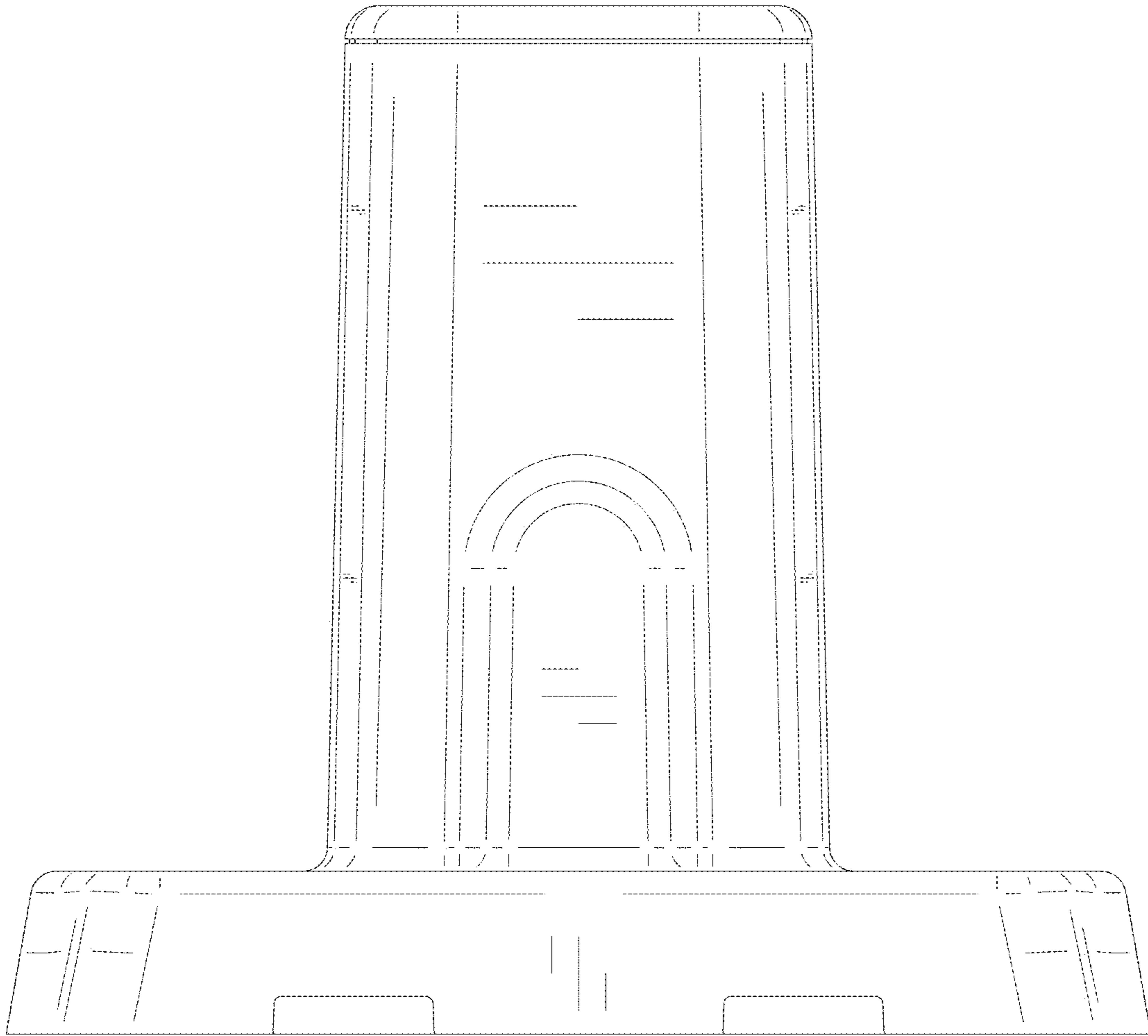


FIG. 4

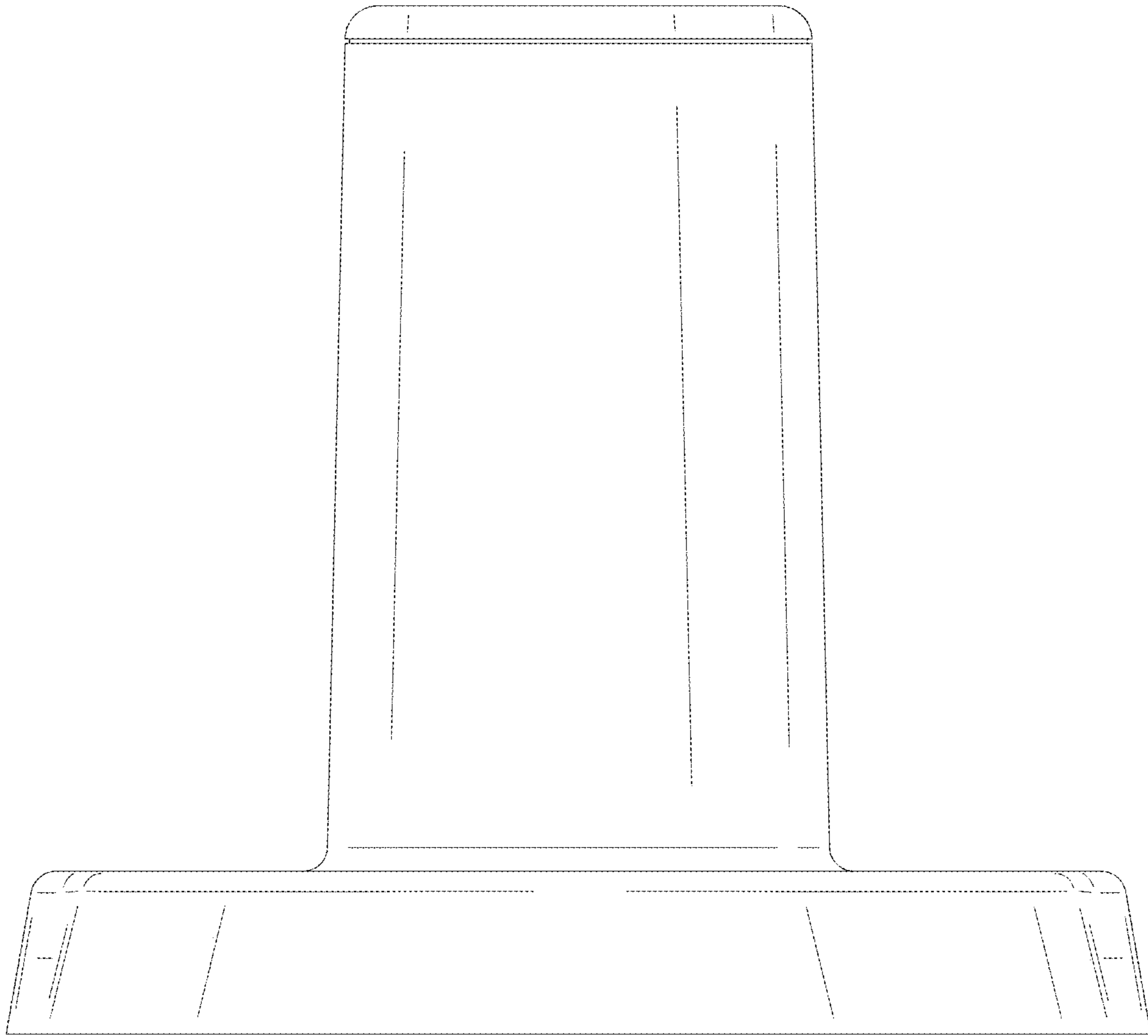


FIG. 5

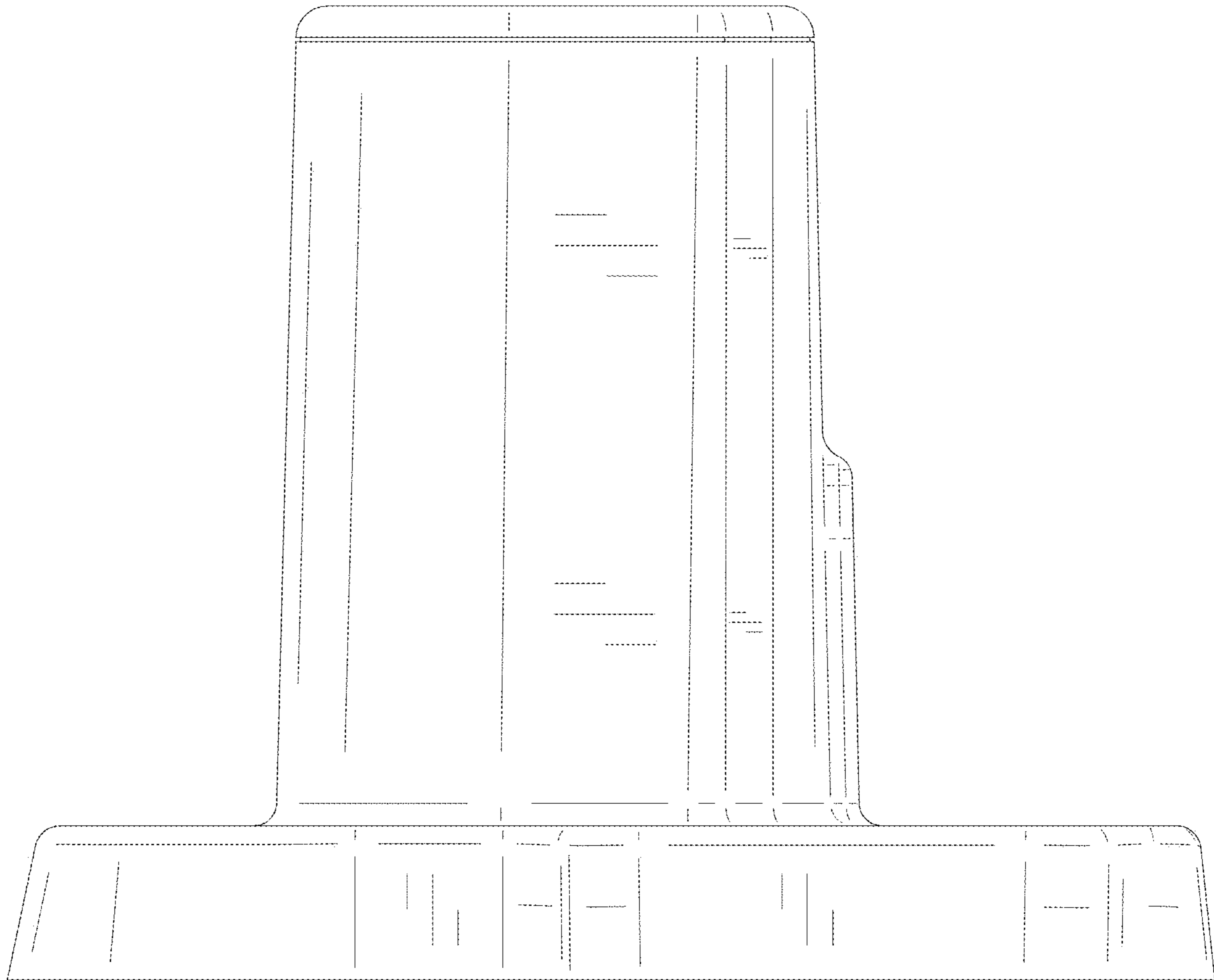


FIG. 6

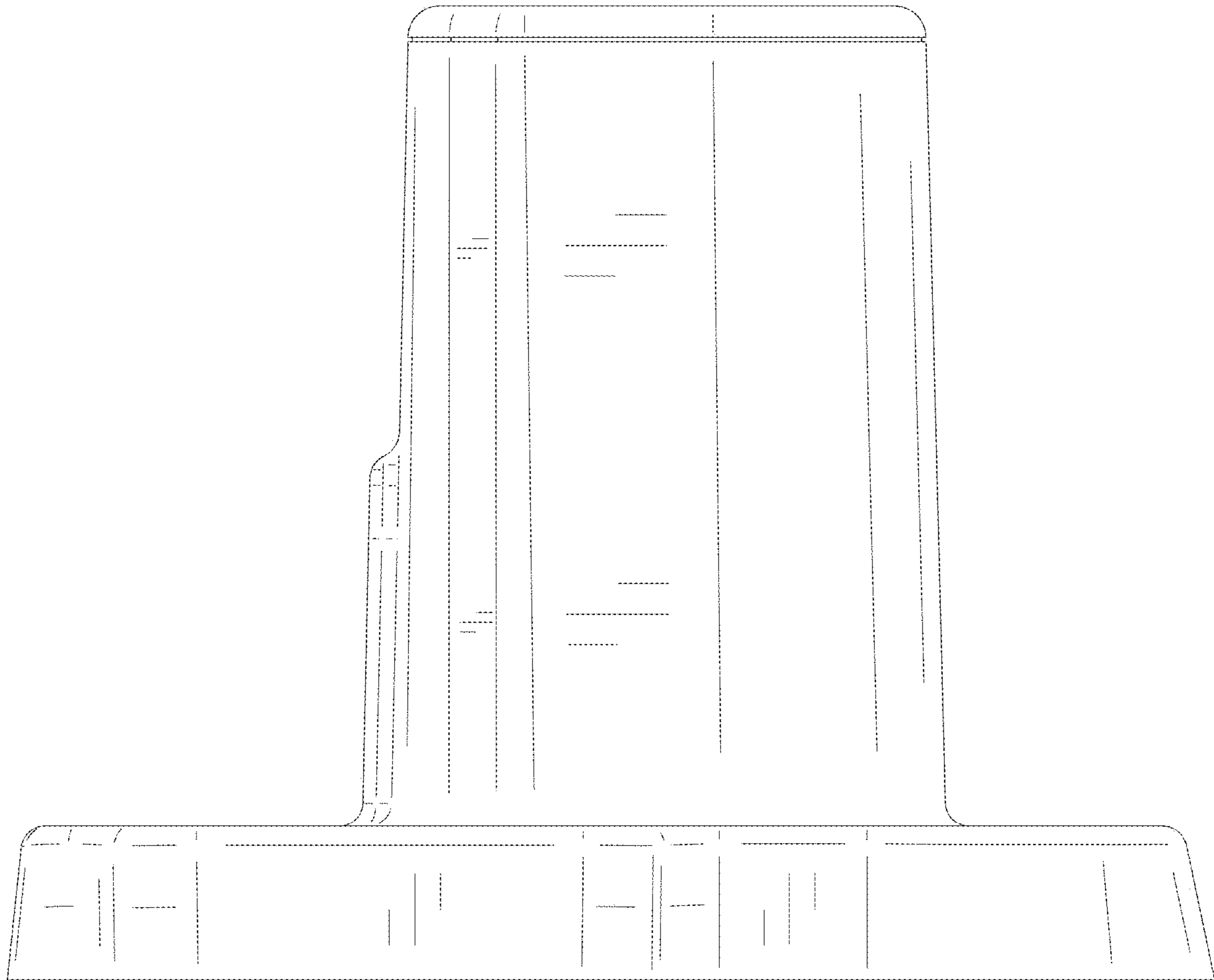


FIG. 7

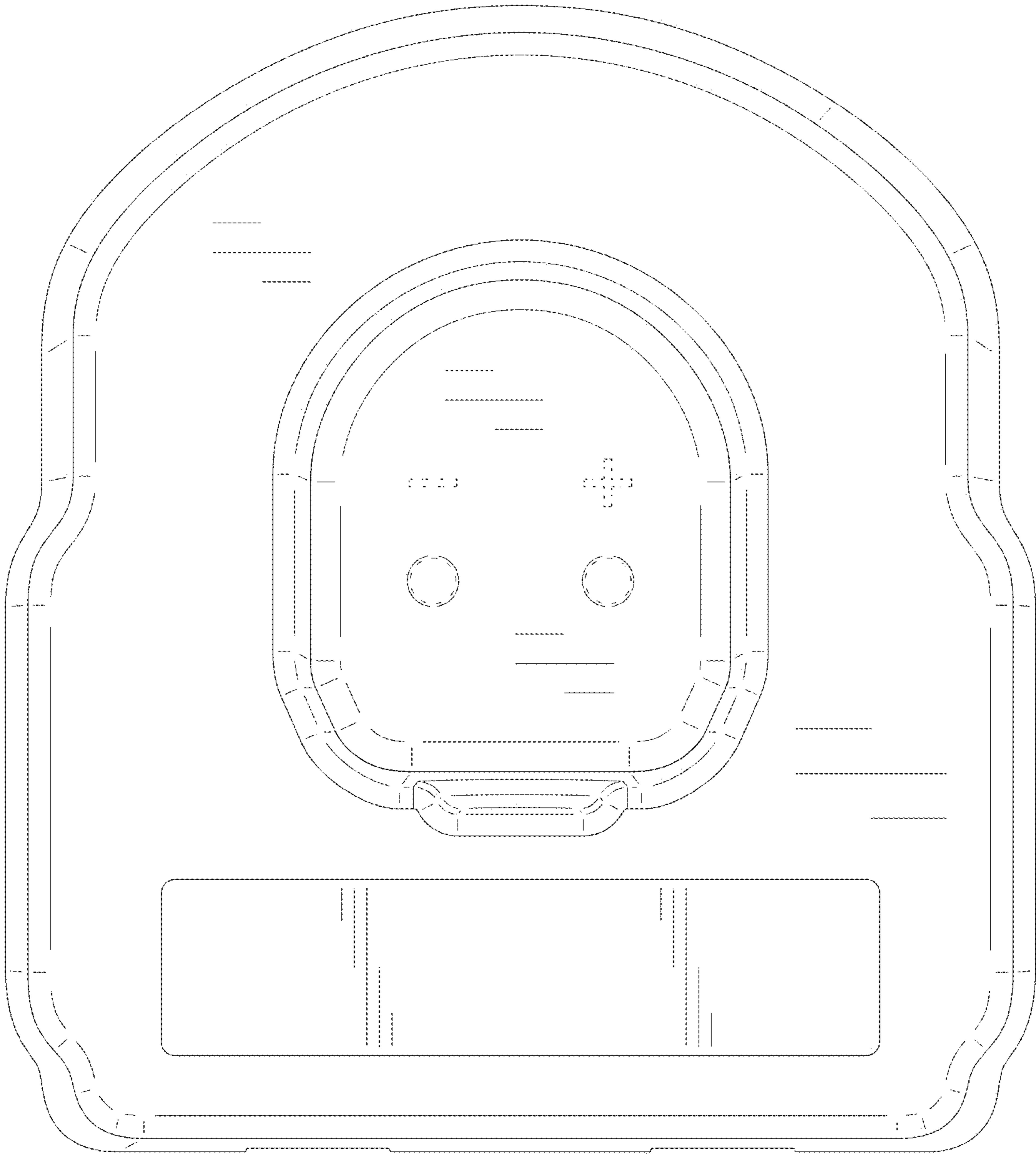


FIG. 8

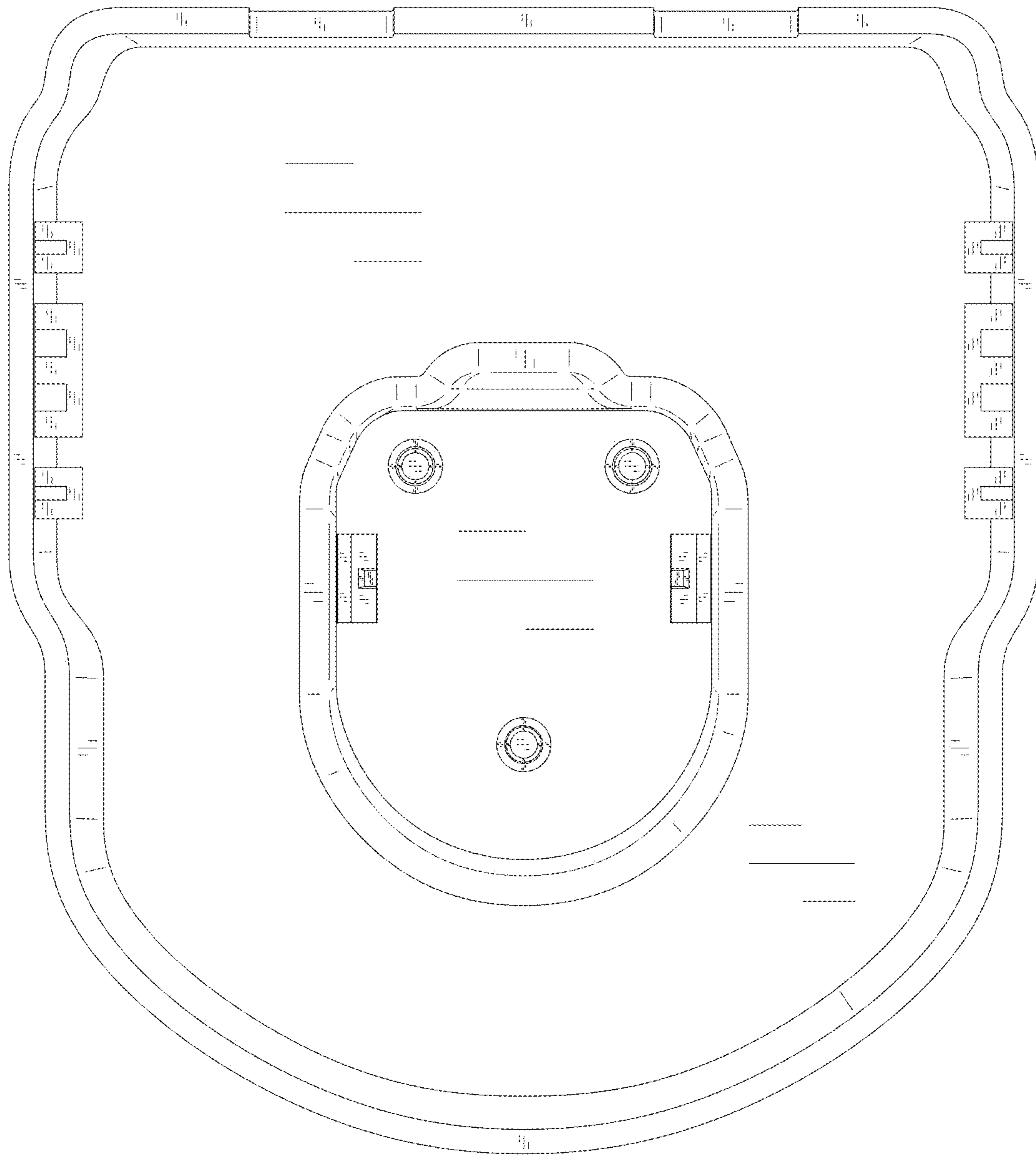


FIG. 9