



US0D1050039S

(12) **United States Design Patent** (10) **Patent No.:** **US D1,050,039 S**
Grewal (45) **Date of Patent:** **** Nov. 5, 2024**

(54) **ELECTRIC MACHINE WITH DRIVE CIRCUIT**

(71) Applicant: **ePropelled Inc.**, Lowell, MA (US)

(72) Inventor: **Narotam Singh Grewal**, Sanbornton, NH (US)

(73) Assignee: **ePropelled Inc.**, Lowell, MA (US)

(**) Term: **15 Years**

(21) Appl. No.: **29/871,901**

(22) Filed: **Mar. 1, 2023**

(30) **Foreign Application Priority Data**

Jan. 25, 2023 (EM) 015009722-0001

Jan. 25, 2023 (EM) 015009722-0002

(51) **LOC (14) Cl.** **13-01**

(52) **U.S. Cl.**
USPC **D13/112**

(58) **Field of Classification Search**
USPC D13/112, 113, 114, 122, 184, 199;
D15/3, 5, 148, 149, 199
CPC .. H02K 5/04; H02K 5/10; H02K 5/22; H02K
5/148; H02K 29/14; H02K 9/227; H02K
3/522; H02K 7/061; H02P 6/06; F28F
1/20; Y10T 29/49009

See application file for complete search history.

(56) **References Cited**

U.S. PATENT DOCUMENTS

D466,132 S * 11/2002 Ricci D15/1
D573,091 S * 7/2008 Shih D13/112
D619,631 S * 7/2010 Otsuka D15/149
D758,310 S * 6/2016 Veeh D13/112
D846,012 S * 4/2019 Ishikawa D13/158

(Continued)

Primary Examiner — Derrick E Holland

(74) *Attorney, Agent, or Firm* — Studebaker & Brackett PC

(57) **CLAIM**

The ornamental design for an electric machine with drive circuit as shown and described.

DESCRIPTION

FIG. 1 is a front perspective view from the left side and above of an embodiment of electric machine with drive circuit showing my new design;

FIG. 2 is a rear perspective view from the left side and above of the electric machine with drive circuit of FIG. 1;

FIG. 3 is a right side view of the electric machine with drive circuit of FIG. 1;

FIG. 4 is a front view of the electric machine with drive circuit of FIG. 1;

FIG. 5 is a rear view of the electric machine with drive circuit of FIG. 1;

FIG. 6 is a plan view of the electric machine with drive circuit of FIG. 1;

FIG. 7 is a bottom view of the electric machine with drive circuit of FIG. 1;

FIG. 8 is a front perspective view from the left side and above of an alternative embodiment of electric machine with drive circuit showing my new design;

FIG. 9 is a rear perspective view from the left side and above of the electric machine with drive circuit of FIG. 8;

FIG. 10 is a right side view of the electric machine with drive circuit of FIG. 8;

FIG. 11 is a front view of the electric machine with drive circuit of FIG. 8;

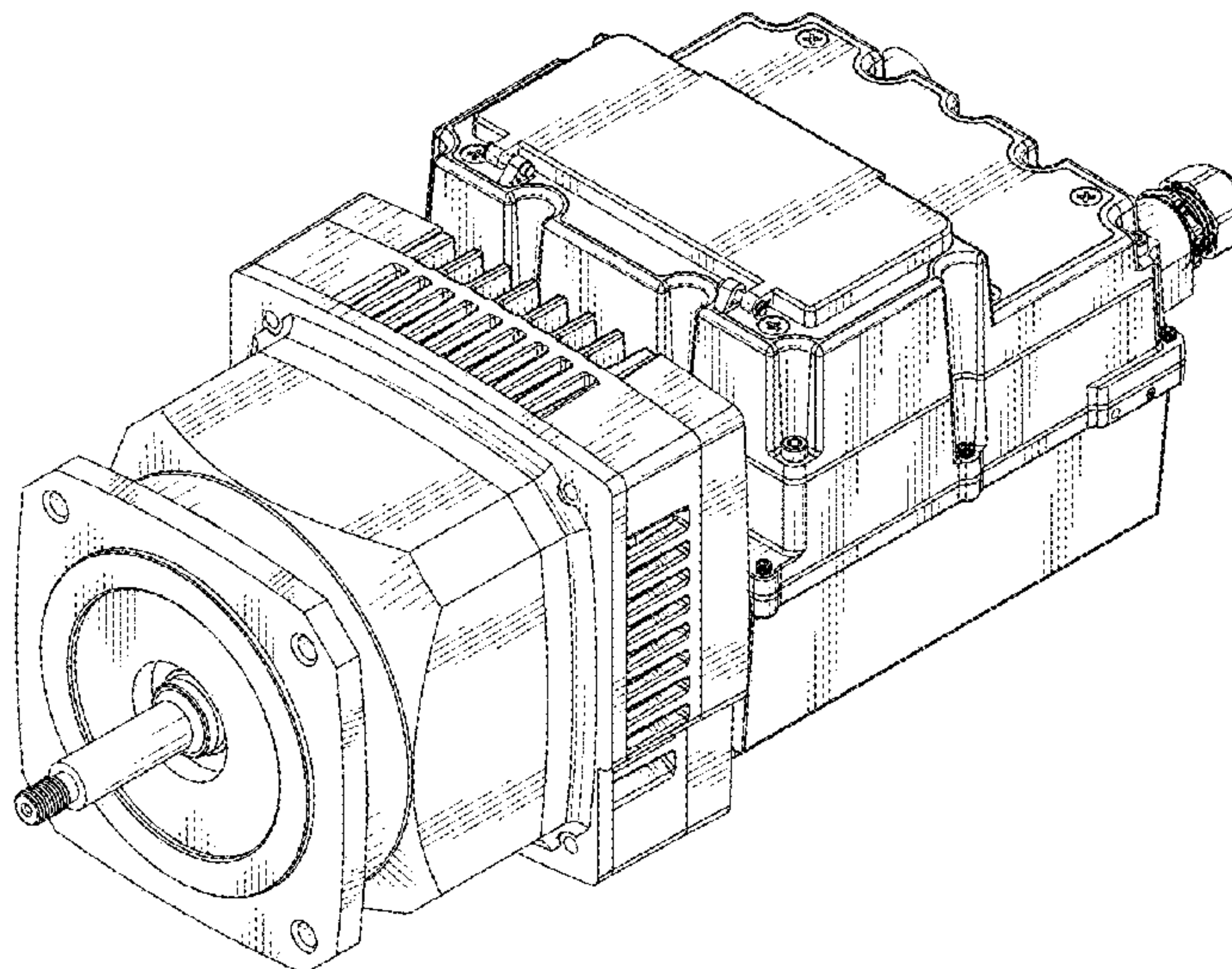
FIG. 12 is a rear view of the electric machine with drive circuit of FIG. 8;

FIG. 13 is a plan view of the electric machine with drive circuit of FIG. 8; and,

FIG. 14 is a bottom view of the electric machine with drive circuit of FIG. 8.

The broken lines shown represent portions of the electric machine with drive circuit therefor that form no part of the claimed design.

1 Claim, 14 Drawing Sheets



(56)

References Cited

U.S. PATENT DOCUMENTS

D853,963 S * 7/2019 Hilker D13/112
2017/0194841 A1 * 7/2017 Raju G05B 19/31

* cited by examiner

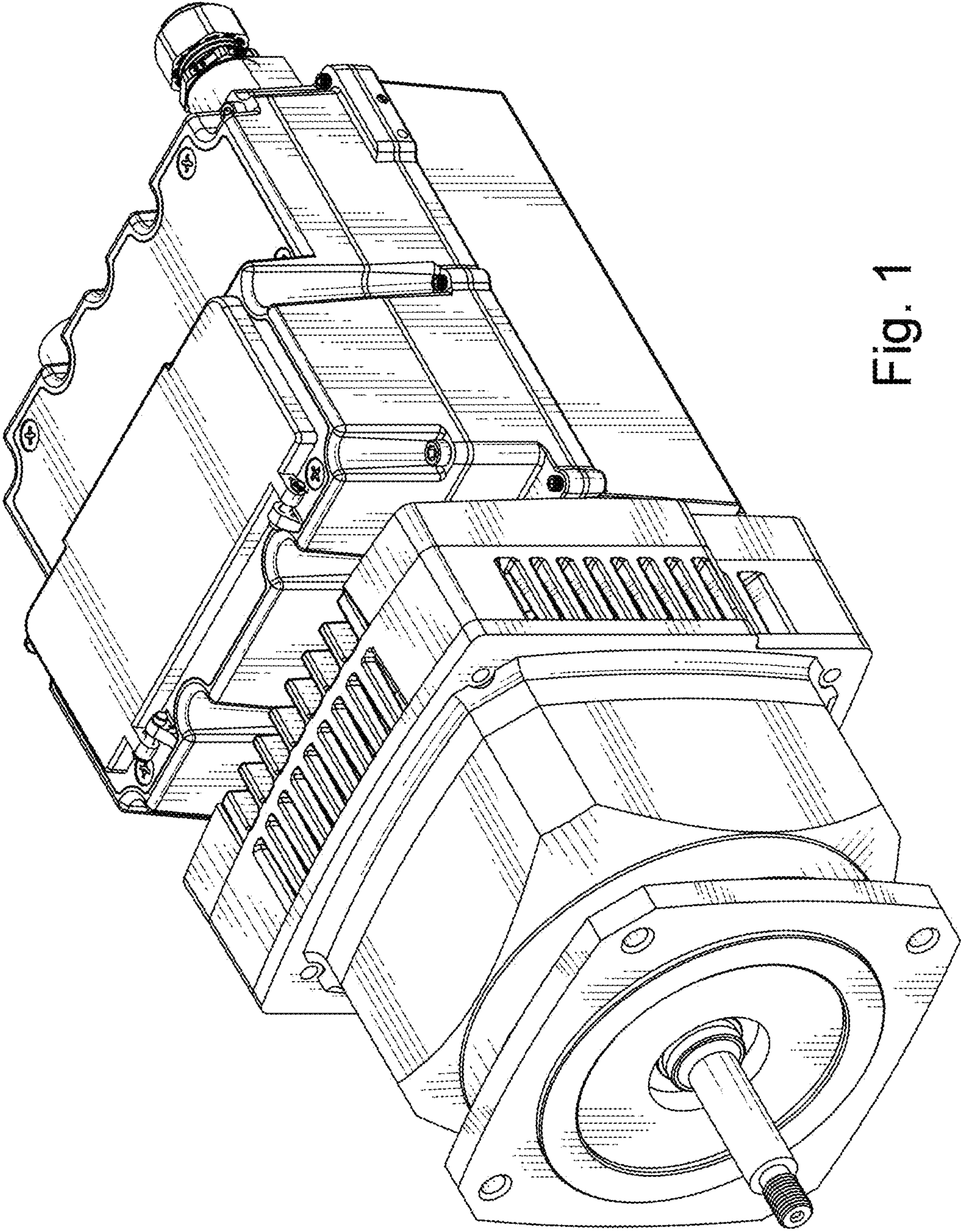


Fig. 1

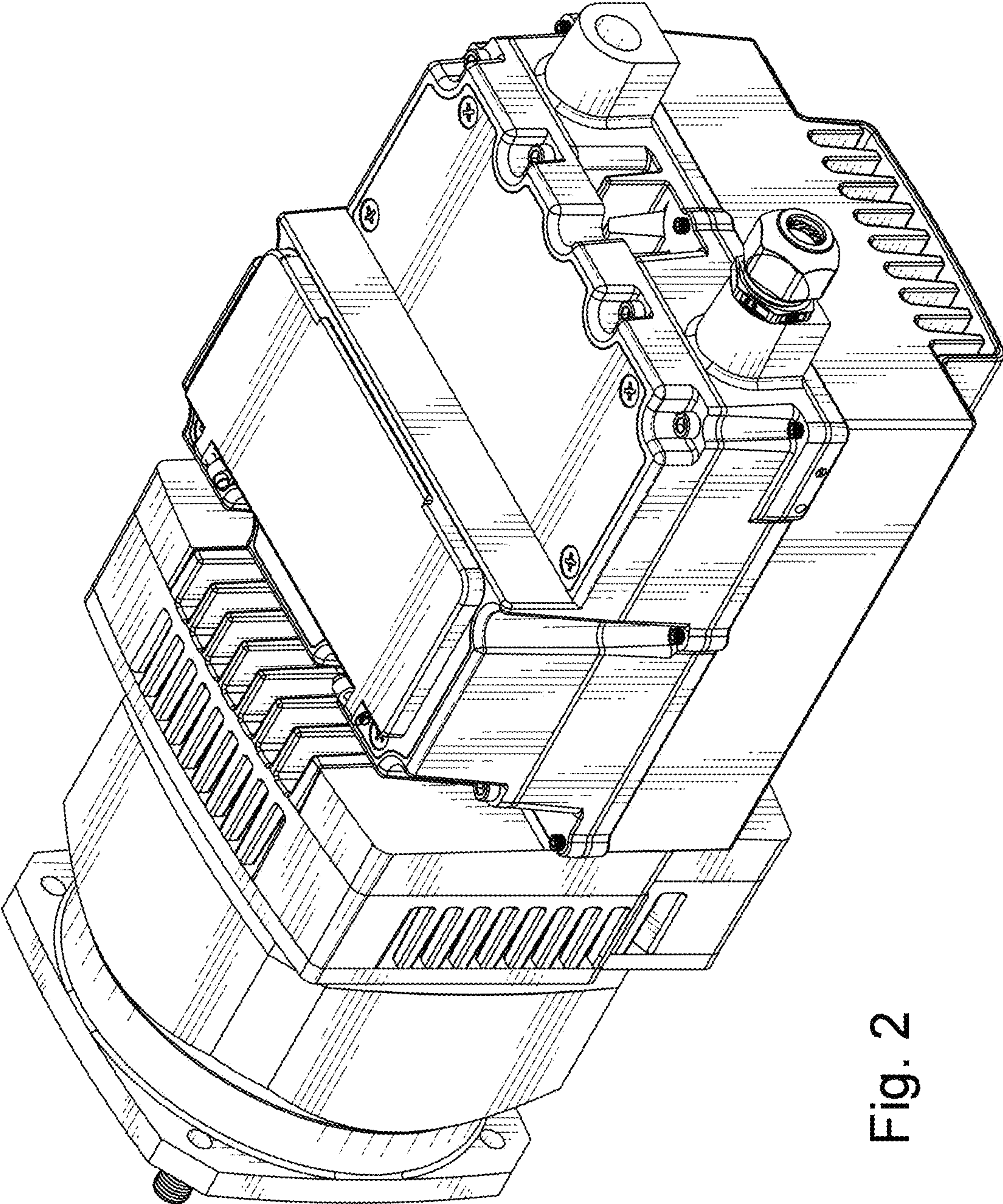


Fig. 2

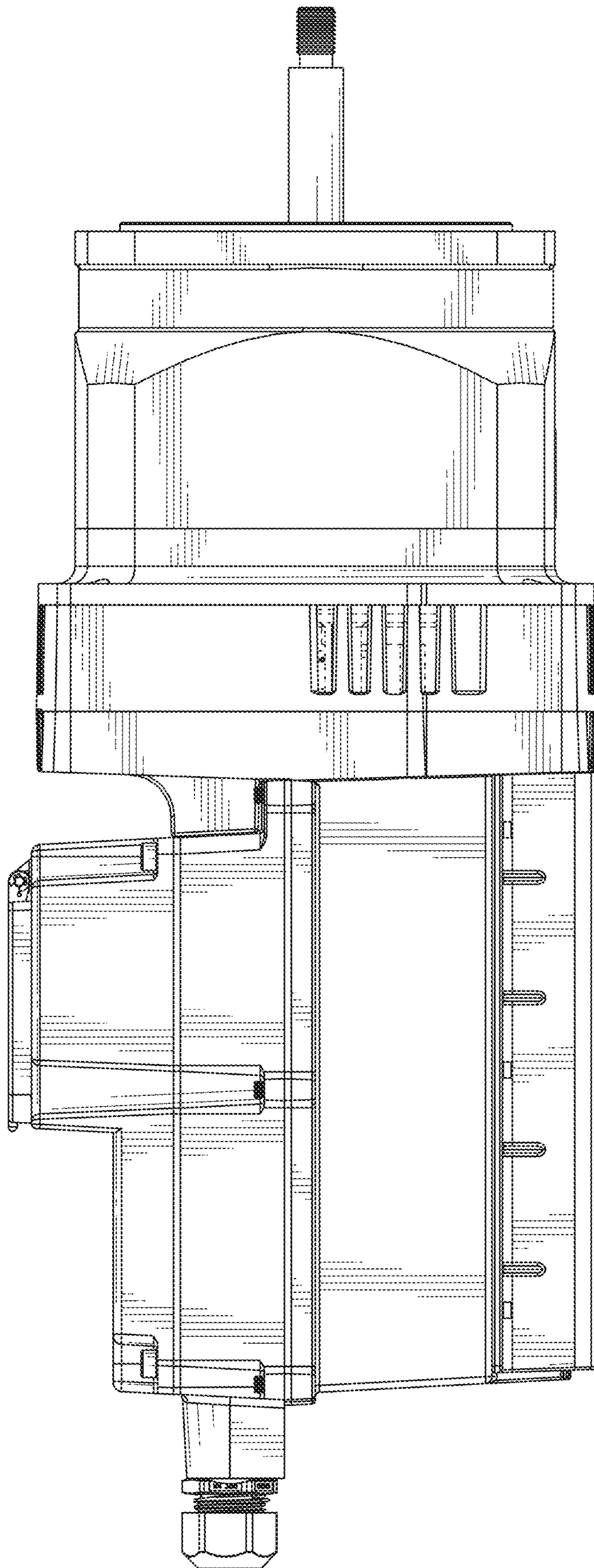


FIG. 3

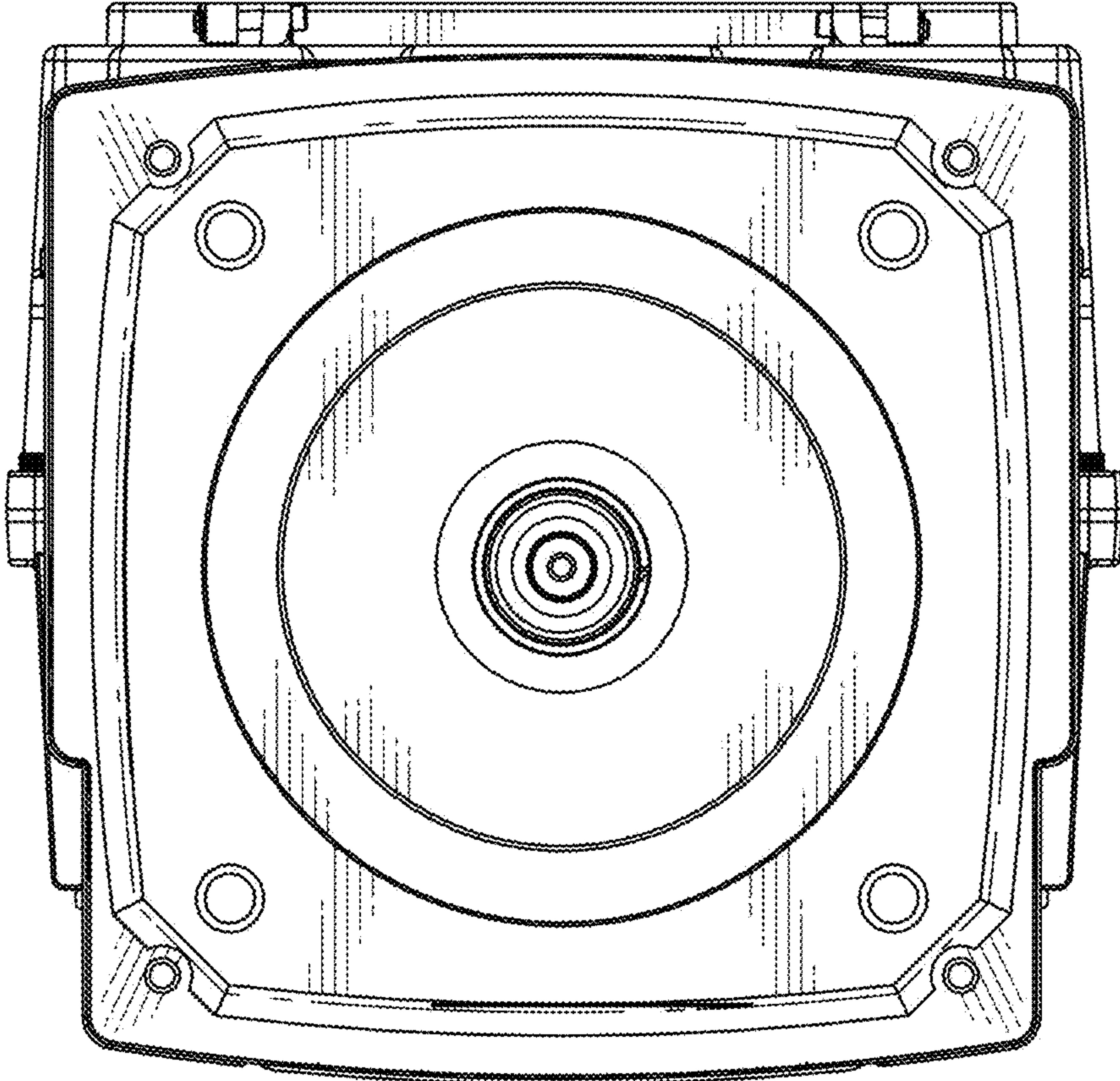


Fig. 4

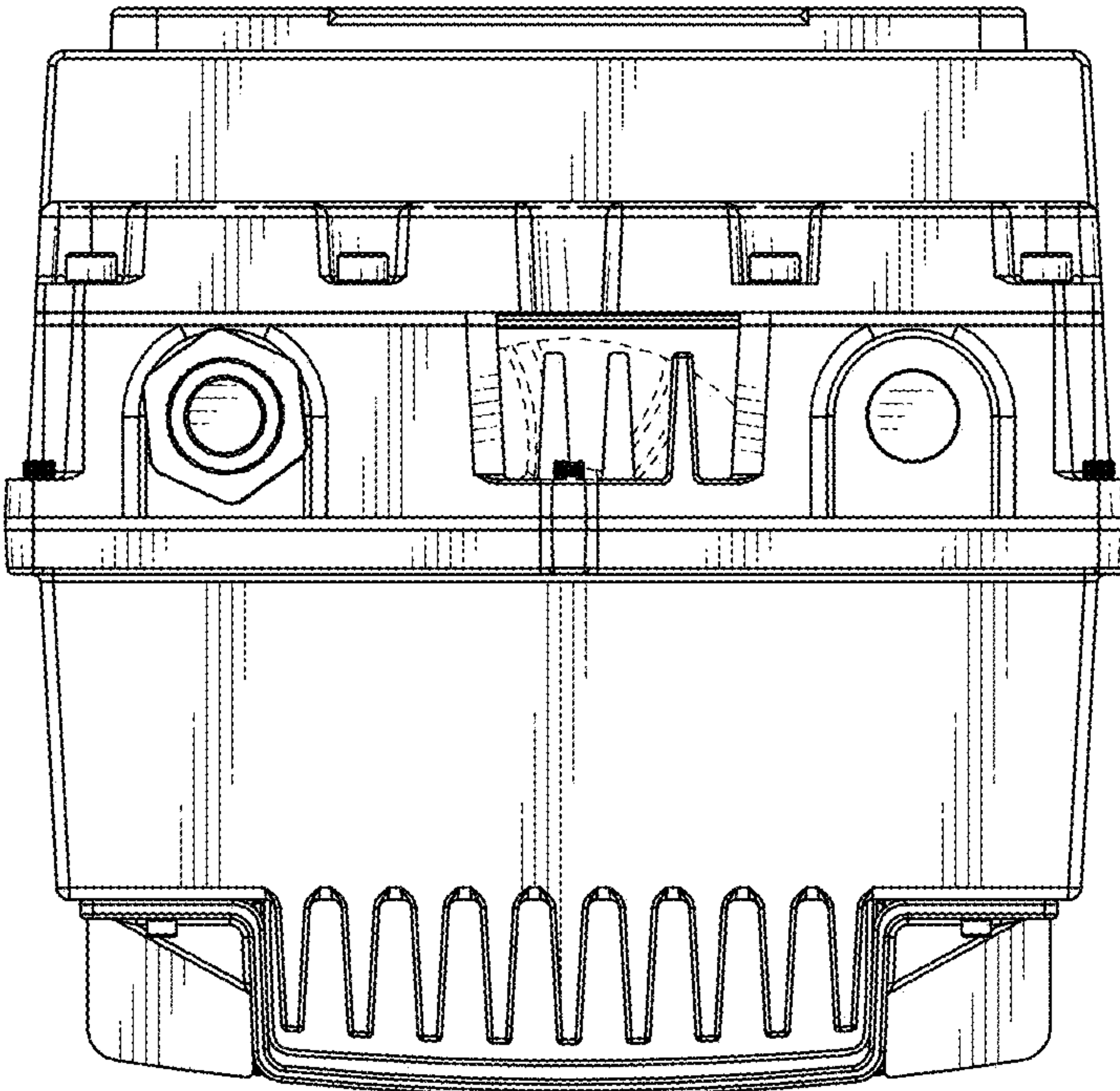


FIG. 5

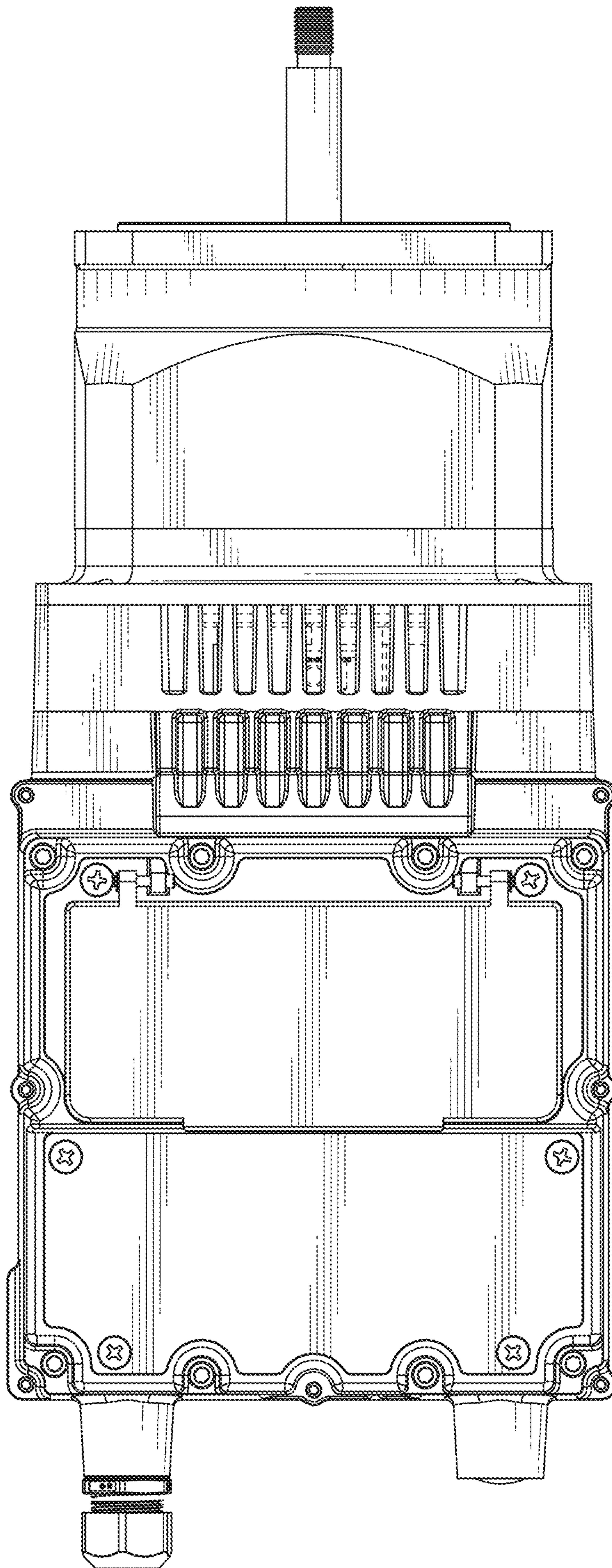


FIG. 6

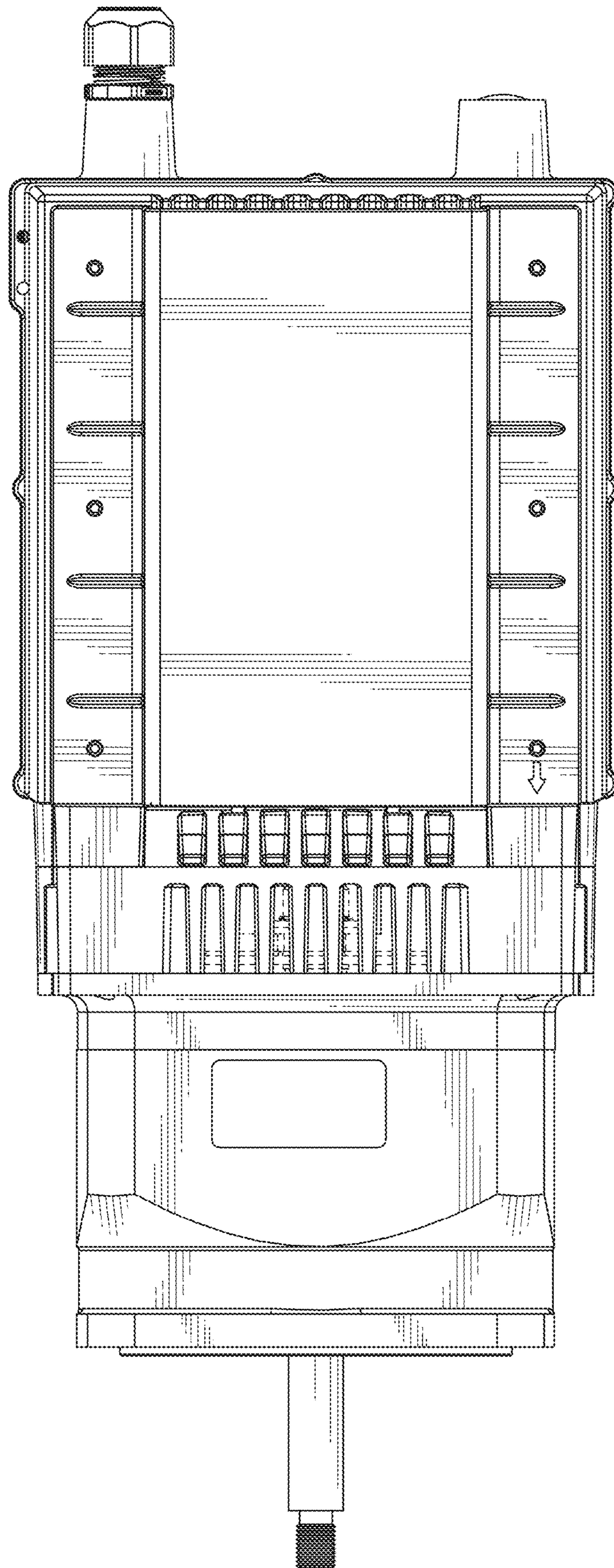


FIG. 7

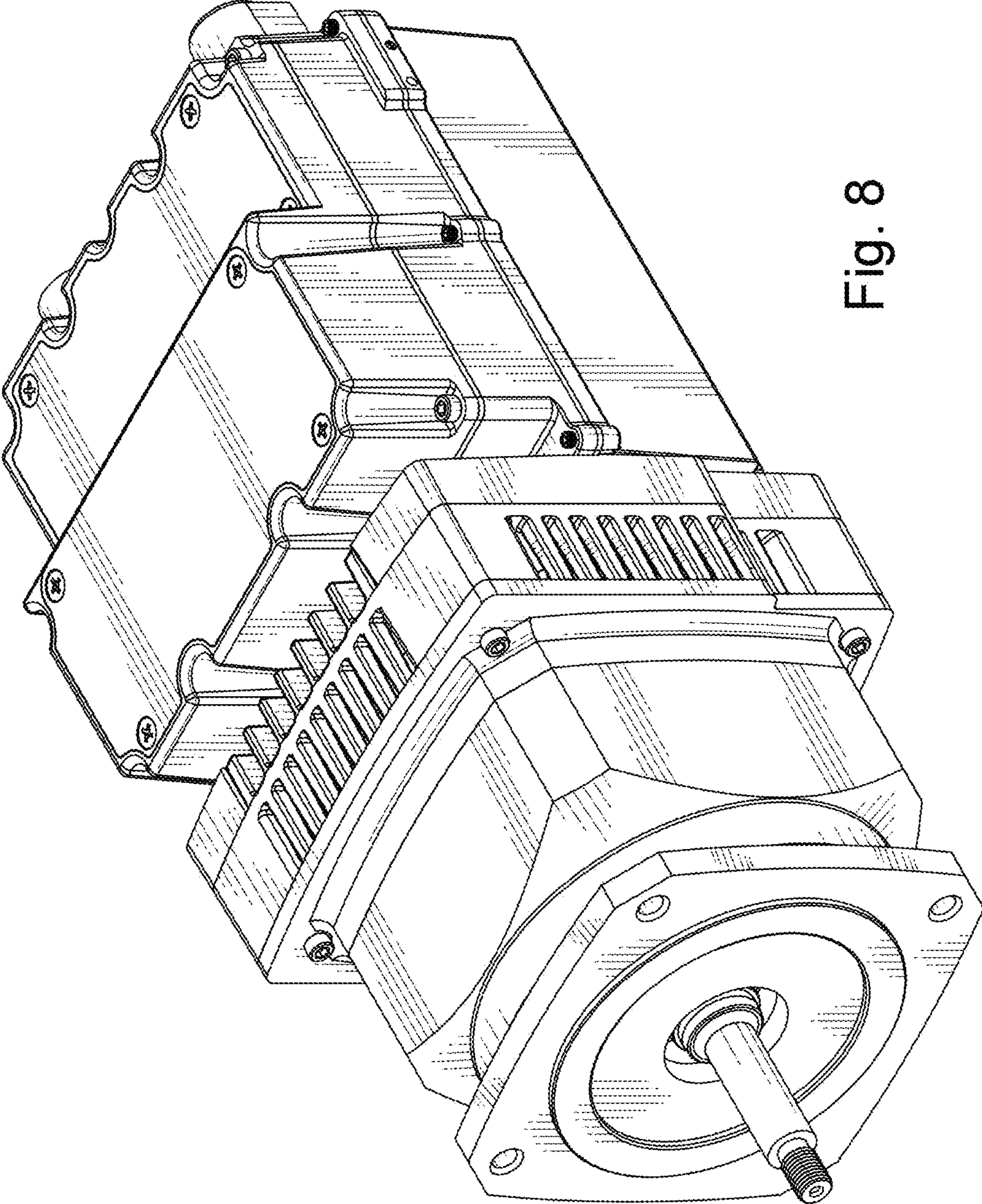


Fig. 8

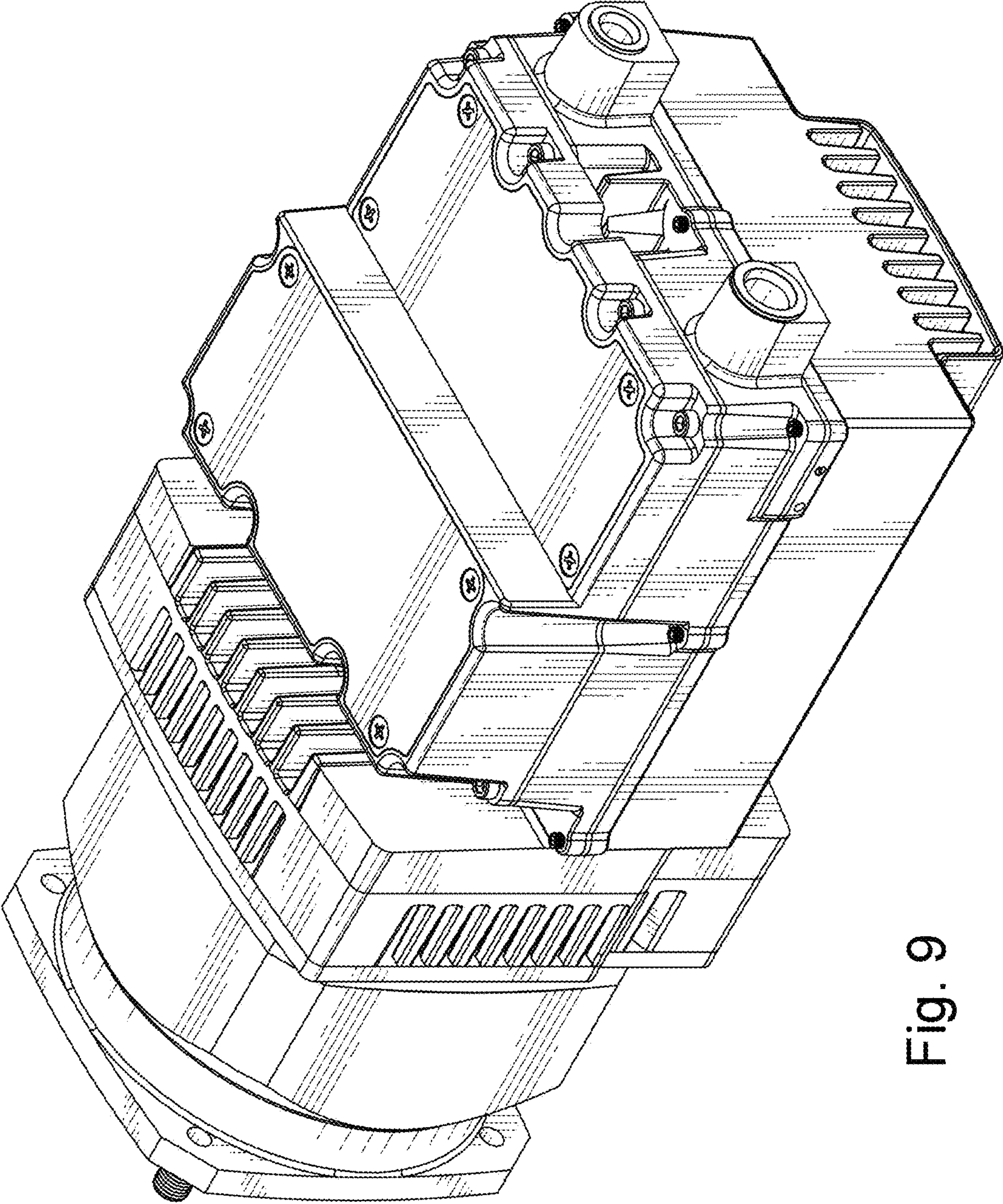


Fig. 9

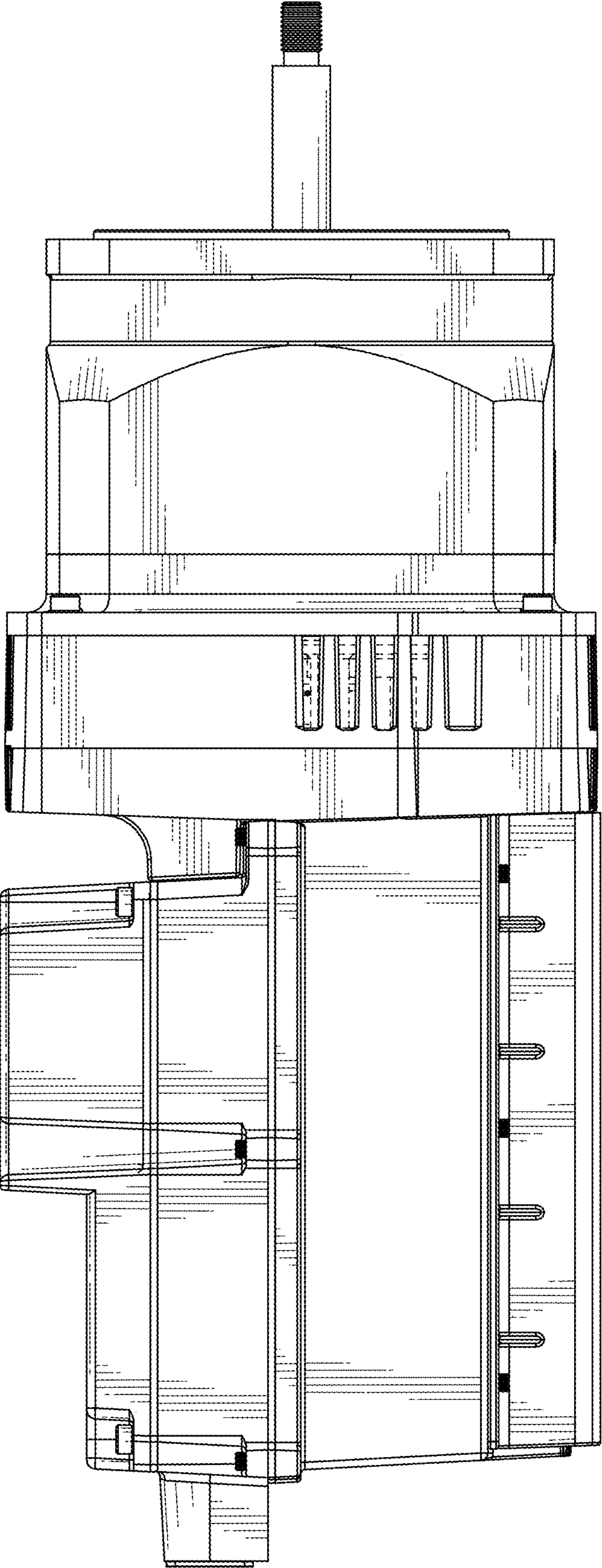


FIG. 10

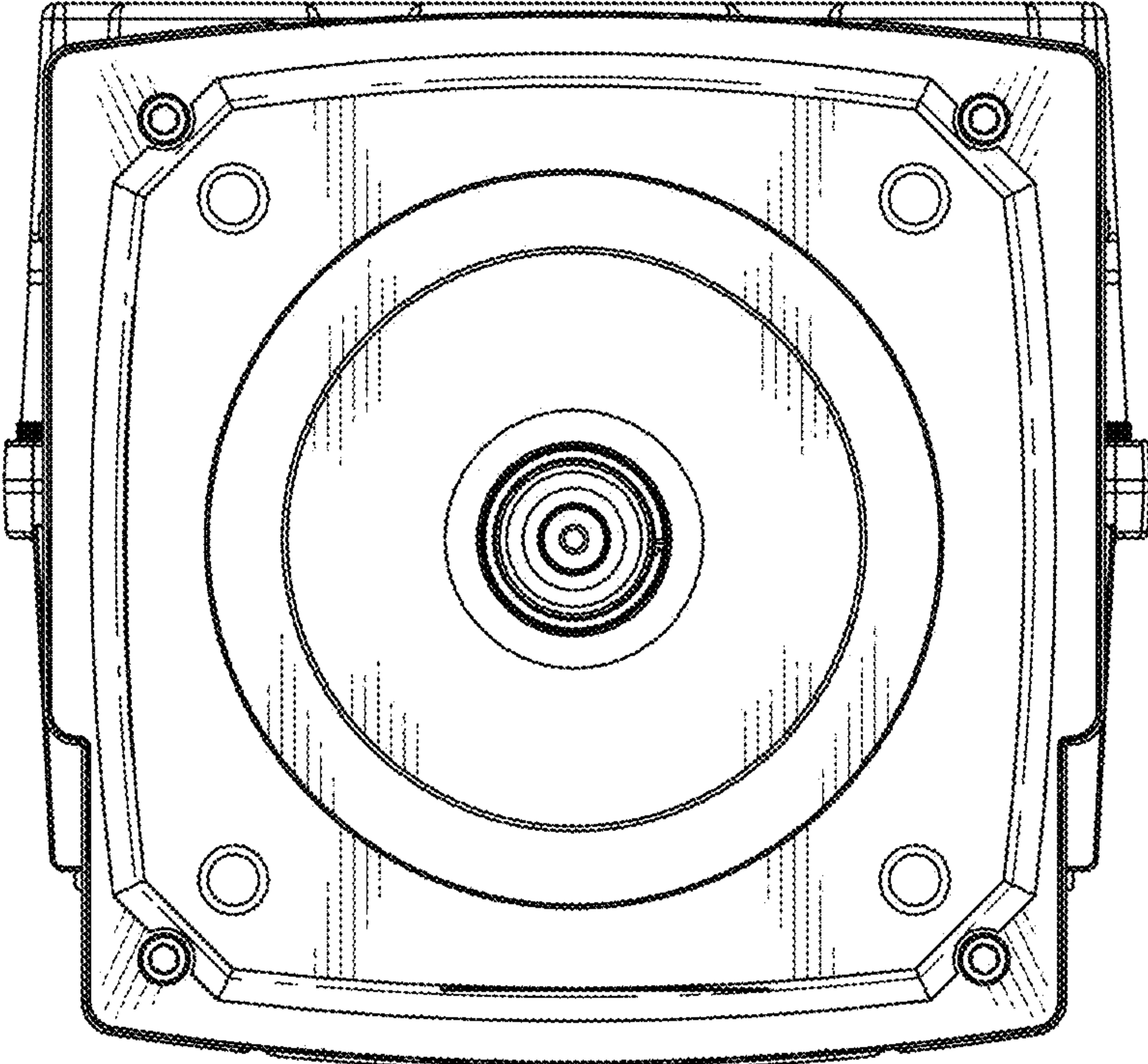


Fig. 11

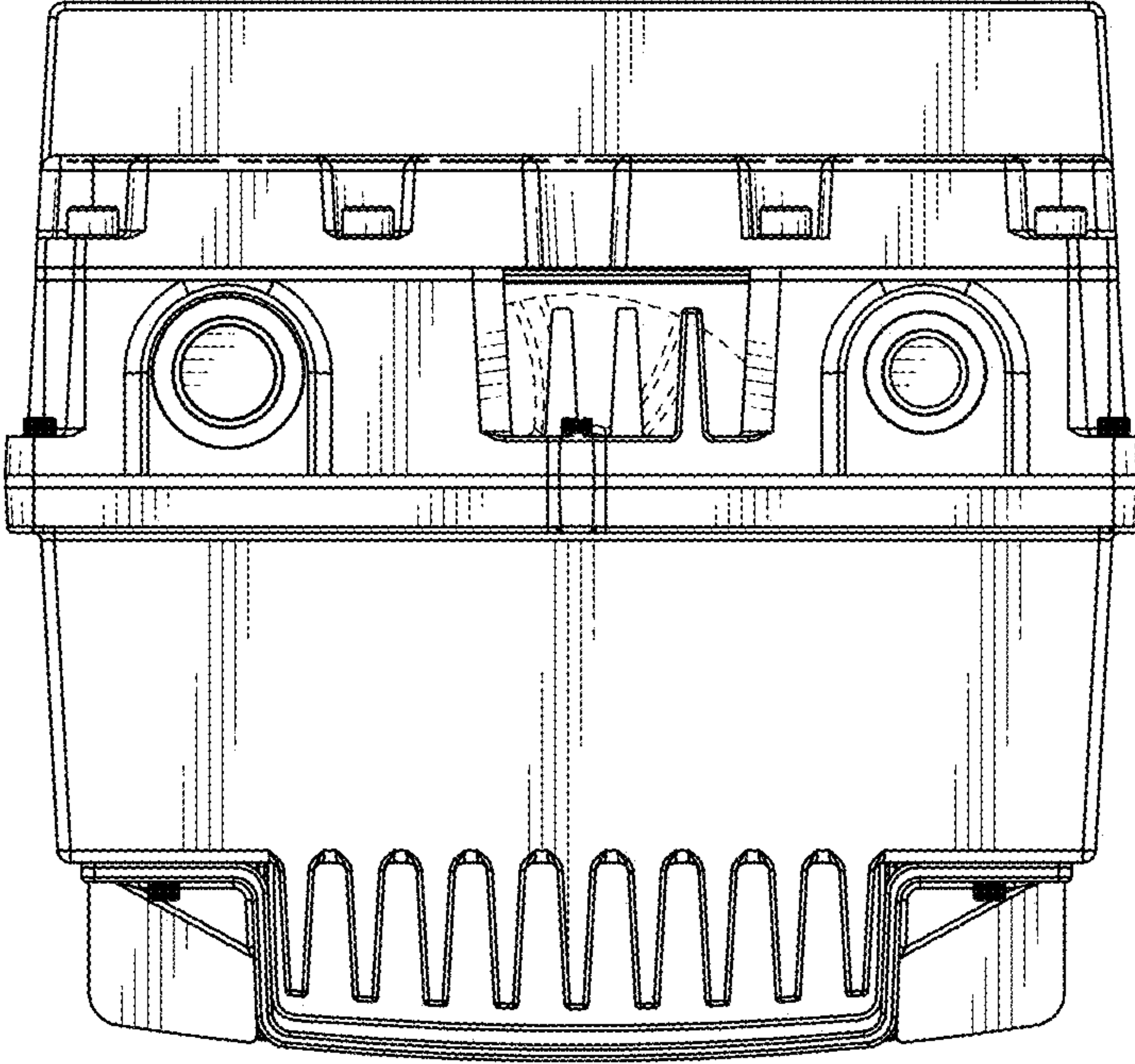


FIG. 12

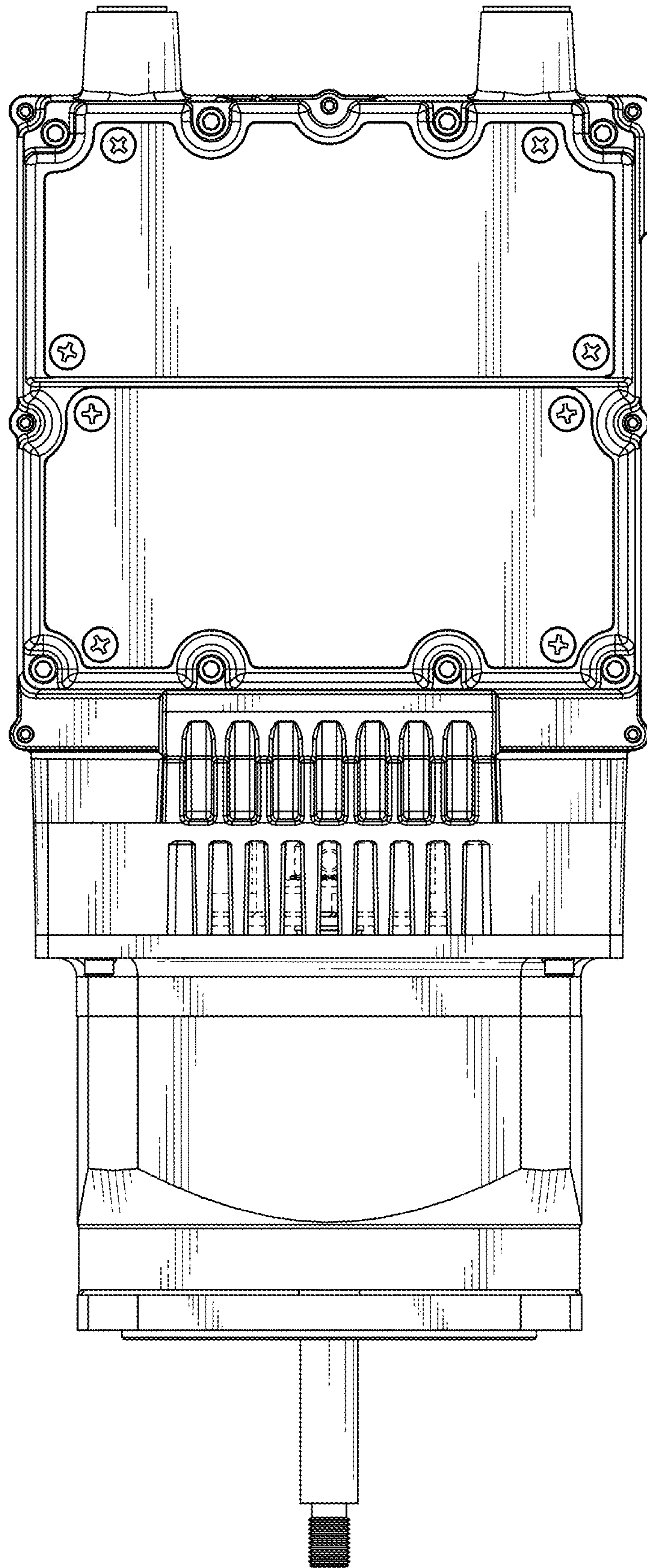


FIG. 13

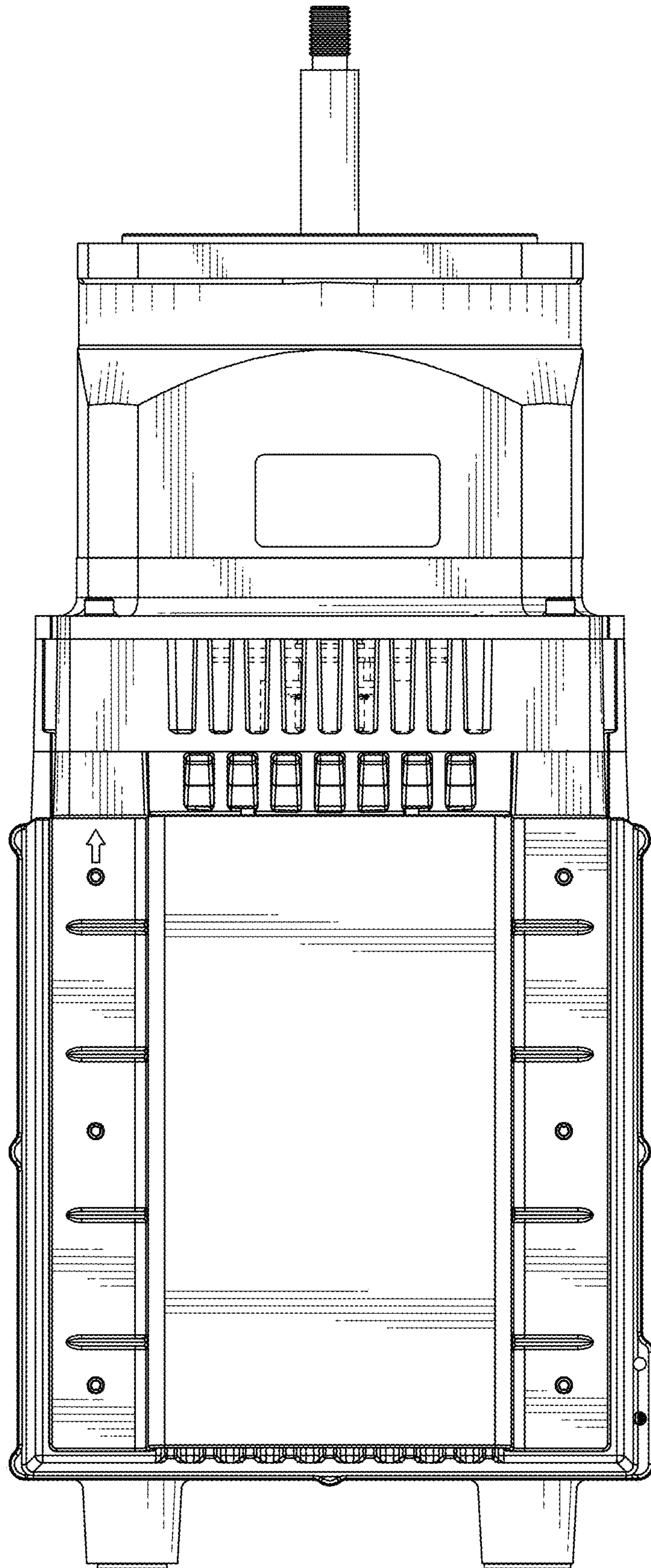


FIG. 14