



US0D1049792S

(12) **United States Design Patent** (10) **Patent No.:** **US D1,049,792 S**
Crabb et al. (45) **Date of Patent:** **** Nov. 5, 2024**

(54) **SLEEVE FOR A BEVERAGE CONTAINER**

OTHER PUBLICATIONS

- (71) Applicant: **Starbucks Corporation**, Seattle, WA (US)
- (72) Inventors: **Kathryn Rose Crabb**, Seattle, WA (US); **Mercedita Andrew**, Seattle, WA (US)
- (73) Assignee: **Starbucks Corporation**, Seattle, WA (US)
- (**) Term: **15 Years**
- (21) Appl. No.: **29/891,998**
- (22) Filed: **May 12, 2023**
- (51) **LOC (14) Cl.** **07-01**
- (52) **U.S. Cl.**
USPC **D7/624.2; D7/509; D7/523**
- (58) **Field of Classification Search**
USPC D7/396.2, 509-511, 523, 602, 605, 607, D7/608, 619.1, 619.2, 624.1, 624.2, D7/624.3, 625; D3/202; D9/444
CPC A47G 23/02; A47G 23/0208; A47G 23/0216; A47G 23/0225; A47G 23/0233; A47G 23/0241; A47G 23/0266; A47G 2023/0275; A47G 2023/0283; A47G 2023/0291; A47G 19/22; A47G 19/2205; A47G 19/2288; A47G 19/23
See application file for complete search history.

NWT Starbucks 2024 Terracotta Brown Orange Recycled SS Triangle Tumbler, first available Jan. 15, 2024, eBay, [online], [site visited Jun. 17, 2024], Available from internet URL: <https://www.ebay.com/itm/296161085852> (Year: 2024).*

Starbucks terracotta triangle recycled glass cold cup tumbler, first available 2024, Mugbees, [online], [site visited Jun. 17, 2024], Available from internet URL: <https://mugbees.com/product/starbucks-2024-terracotta-triangle-recycled-glass-cold-cup-tumbler-16-fl-oz/> (Year: 2024).*

* cited by examiner

Primary Examiner — Catherine Ho
Assistant Examiner — Natalya M Rapundalo
 (74) *Attorney, Agent, or Firm* — Knobbe, Martens, Olson & Bear, LLP

(57) **CLAIM**

The ornamental design for a sleeve for a beverage container as shown and described.

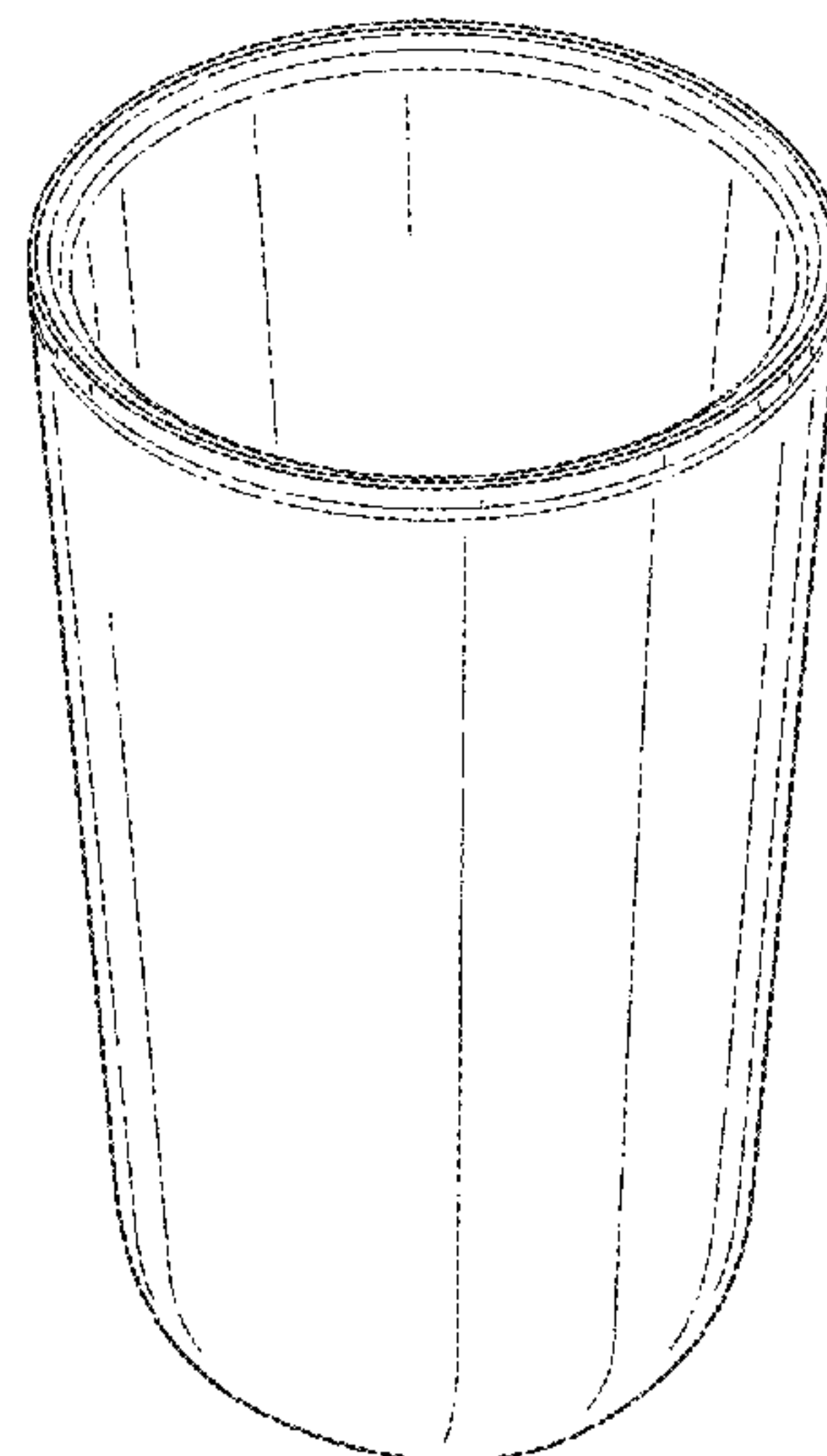
DESCRIPTION

FIG. 1 is a top perspective view of a sleeve for a beverage container shown in an environment of use.
 FIG. 2 is a top perspective view of the sleeve for a beverage container.
 FIG. 3 is a bottom perspective view thereof.
 FIG. 4 is a front view thereof.
 FIG. 5 is a back view thereof.
 FIG. 6 is a right side view thereof.
 FIG. 7 is a left side view thereof.
 FIG. 8 is a top view thereof; and,
 FIG. 9 is a bottom view thereof.
 The beverage container shown in broken lines in FIG. 1 illustrates environment that forms no part of the claimed design. All other broken lines show portions of the sleeve for a beverage container and form no part of the claimed design.

(56) **References Cited**
 U.S. PATENT DOCUMENTS

D498,979 S	*	11/2004	Bhavnani	D7/510
D622,548 S	*	8/2010	Jensen	D7/509
D663,169 S	*	7/2012	Beggins	D7/624.2
D853,202 S	*	7/2019	Welham	D7/624.2
D878,873 S	*	3/2020	Johnson	D7/608
D889,203 S	*	7/2020	Bull	D7/509
D909,145 S	*	2/2021	Pisarevsky	D7/624.2
D998,417 S	*	9/2023	Wittek	D7/509
D1,017,323 S	*	3/2024	Ni	D7/509

1 Claim, 9 Drawing Sheets



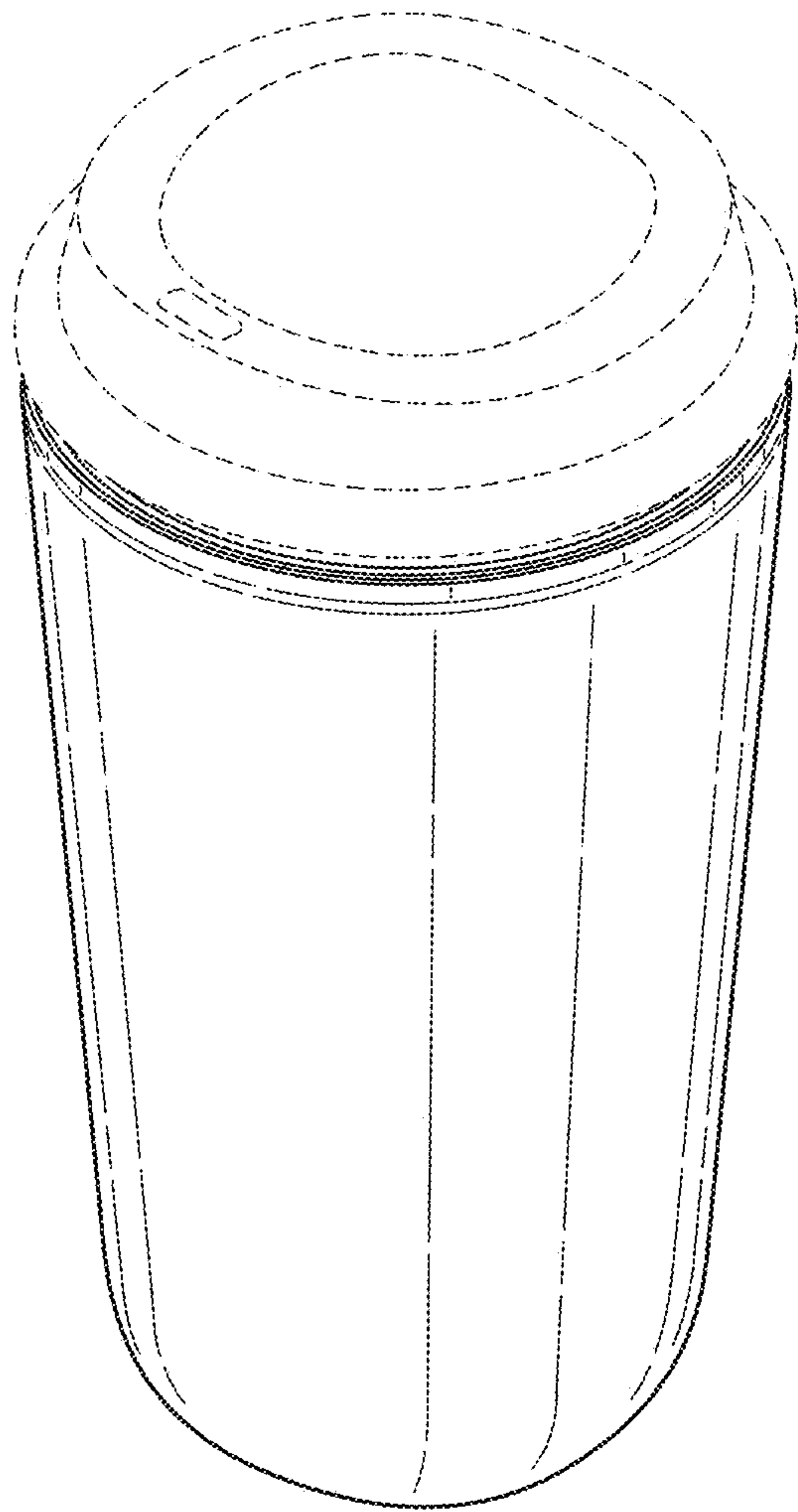


FIG. 1

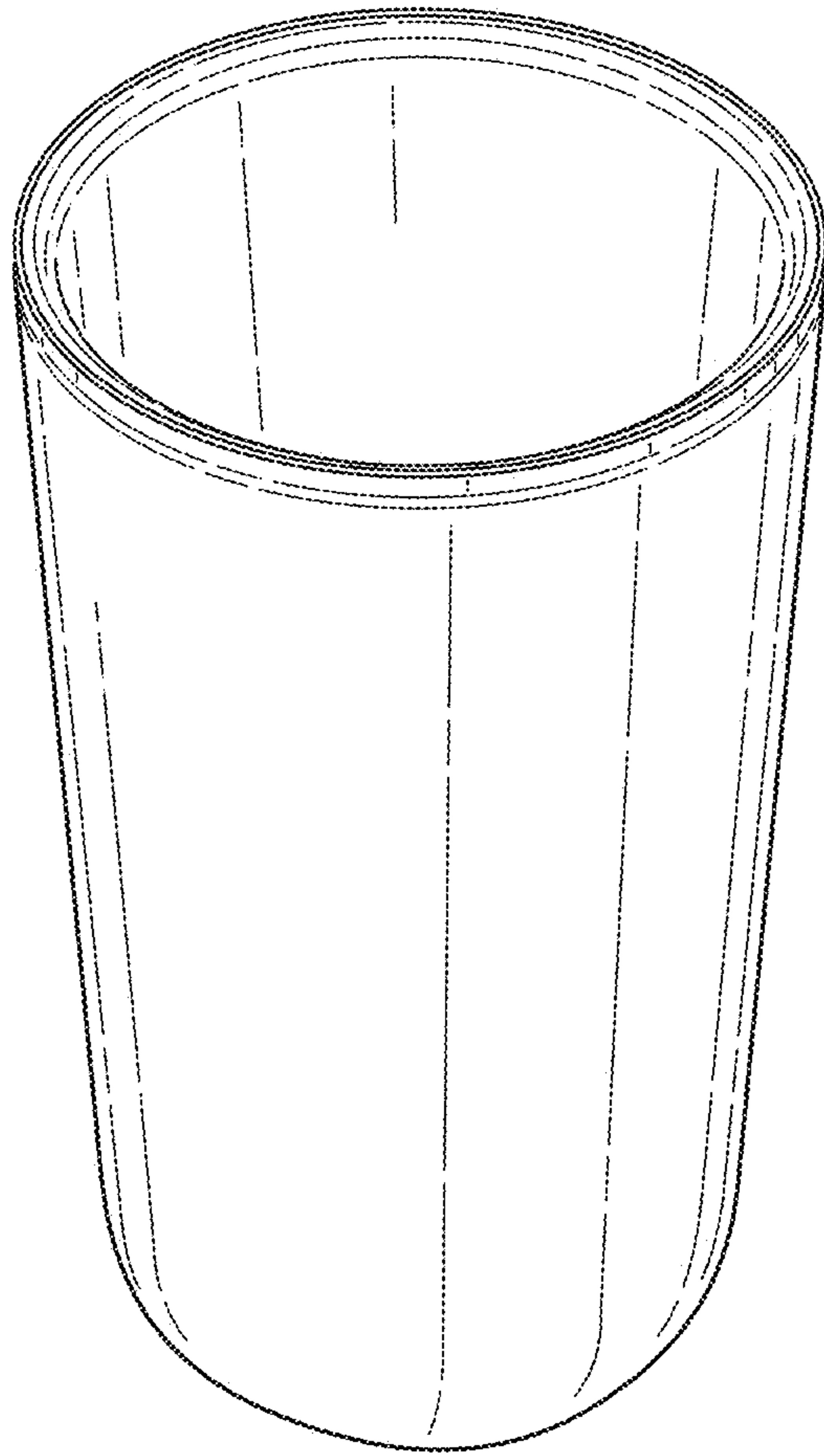


FIG. 2

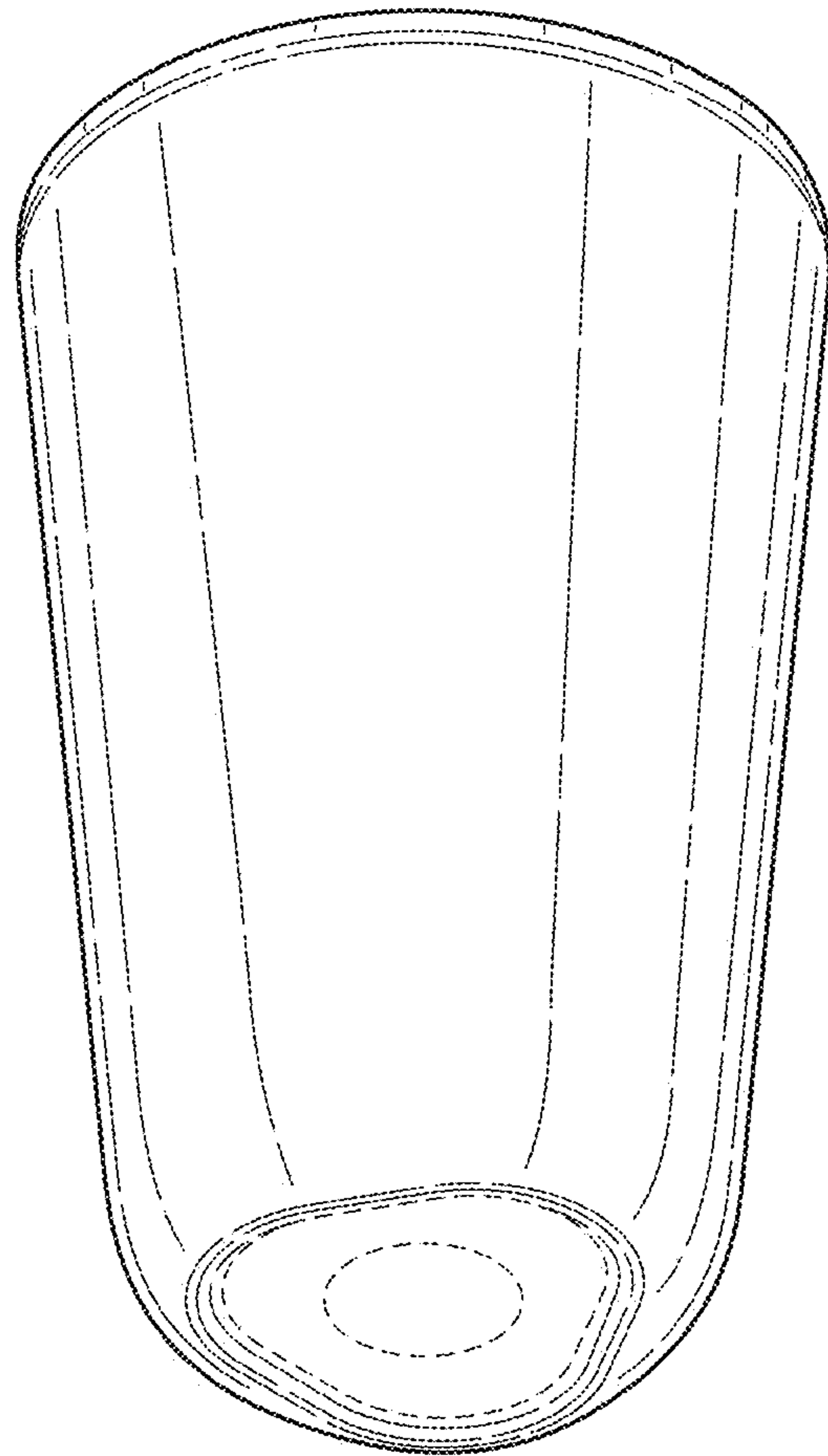


FIG. 3

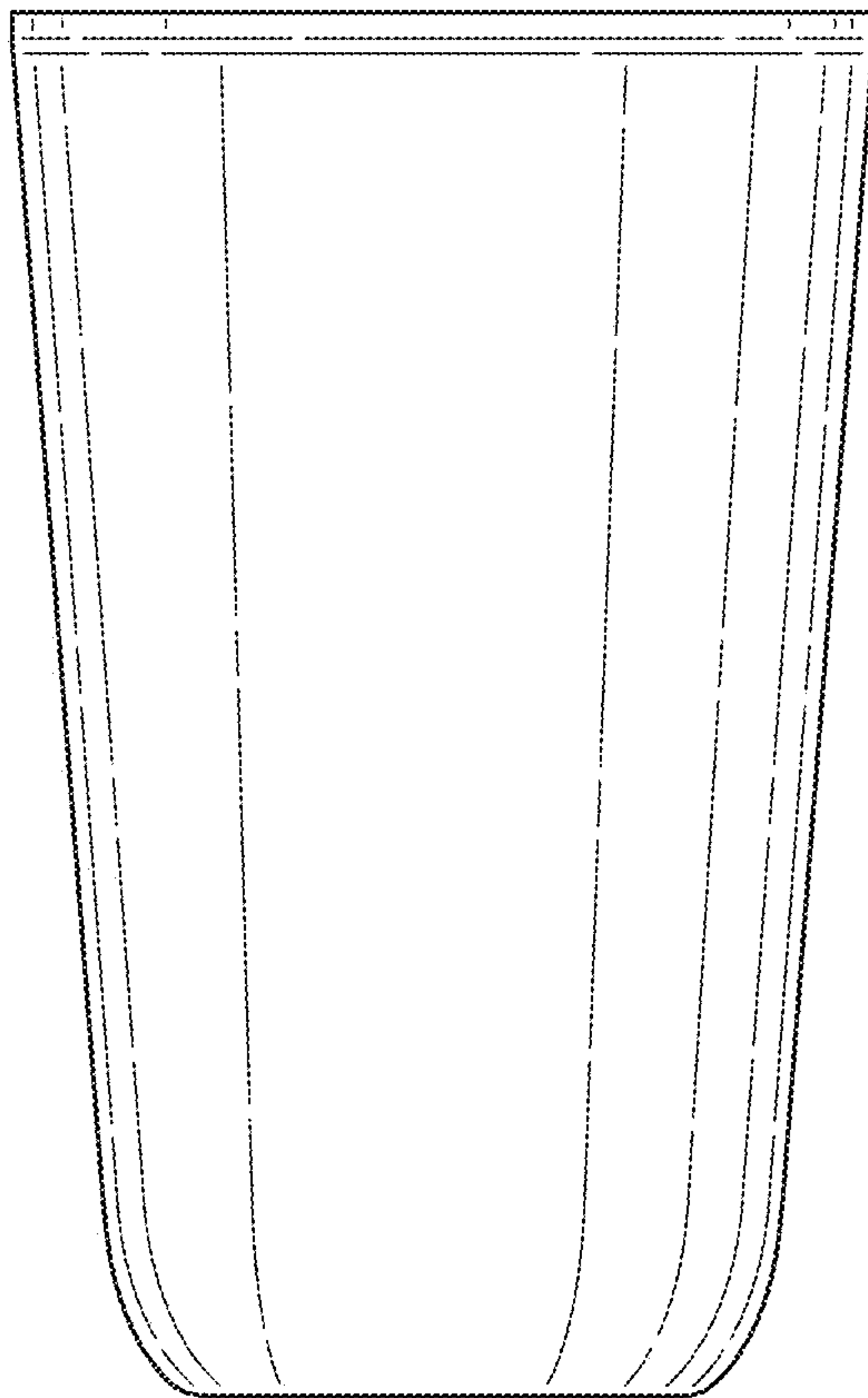


FIG. 4

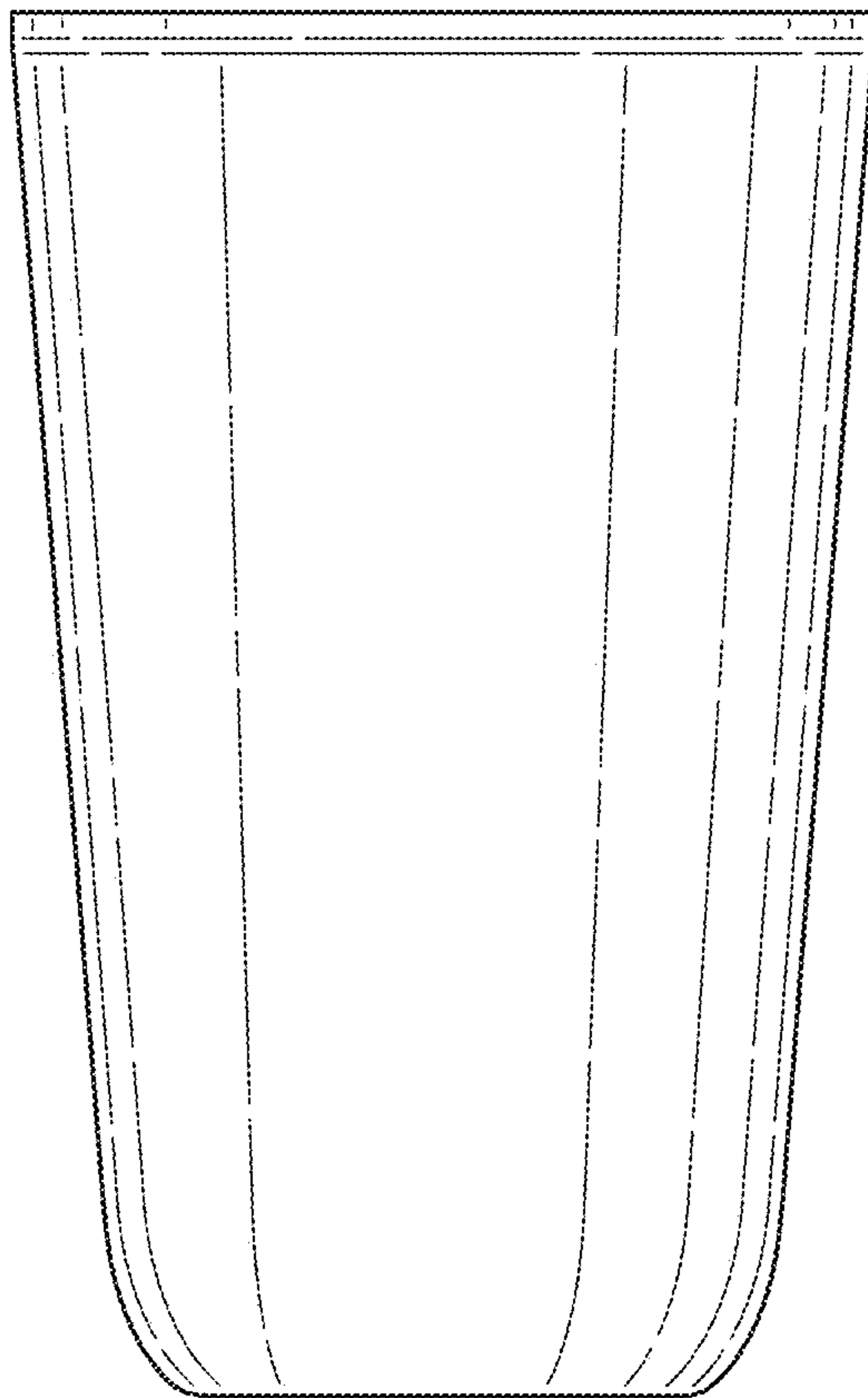


FIG. 5

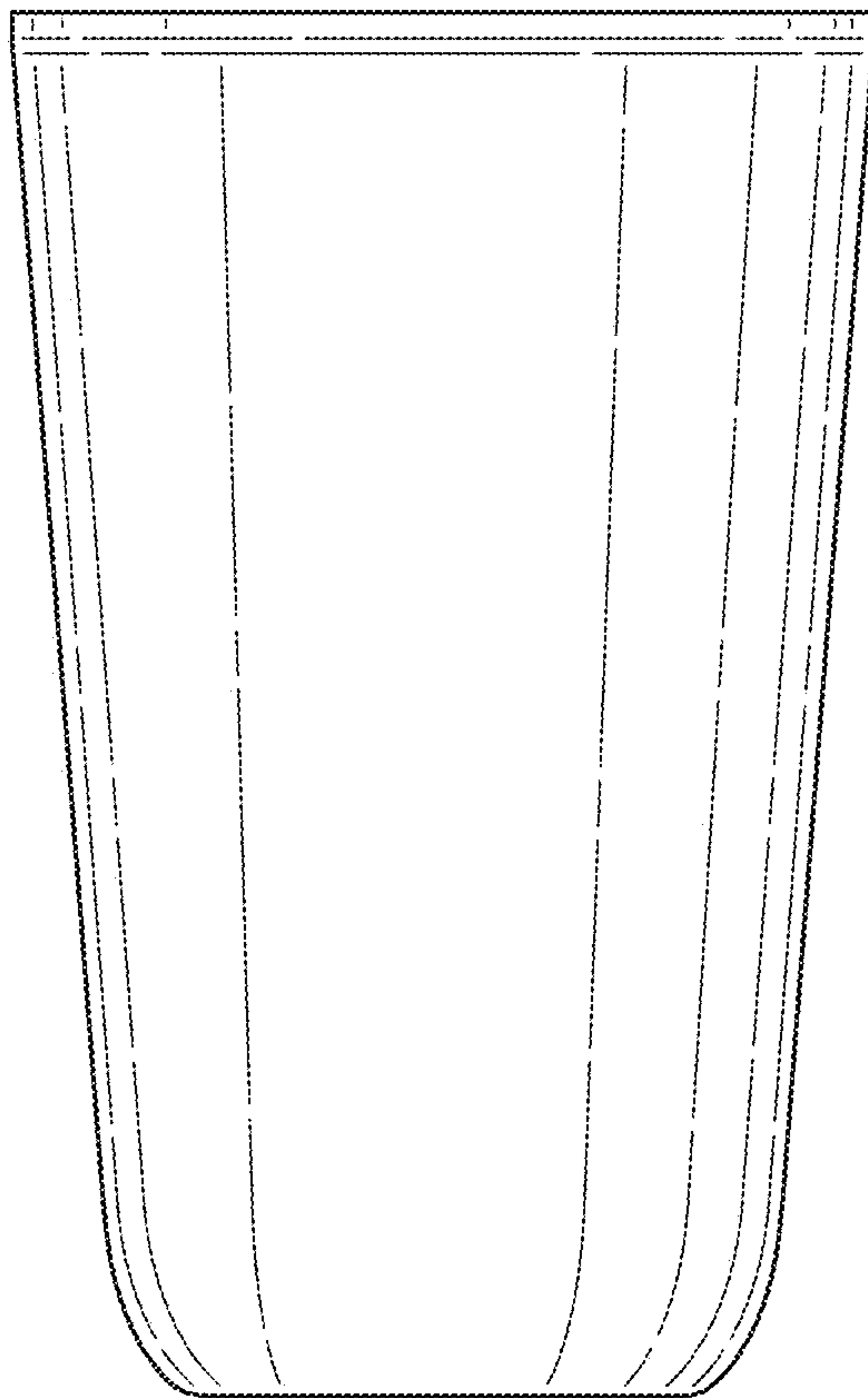


FIG. 6

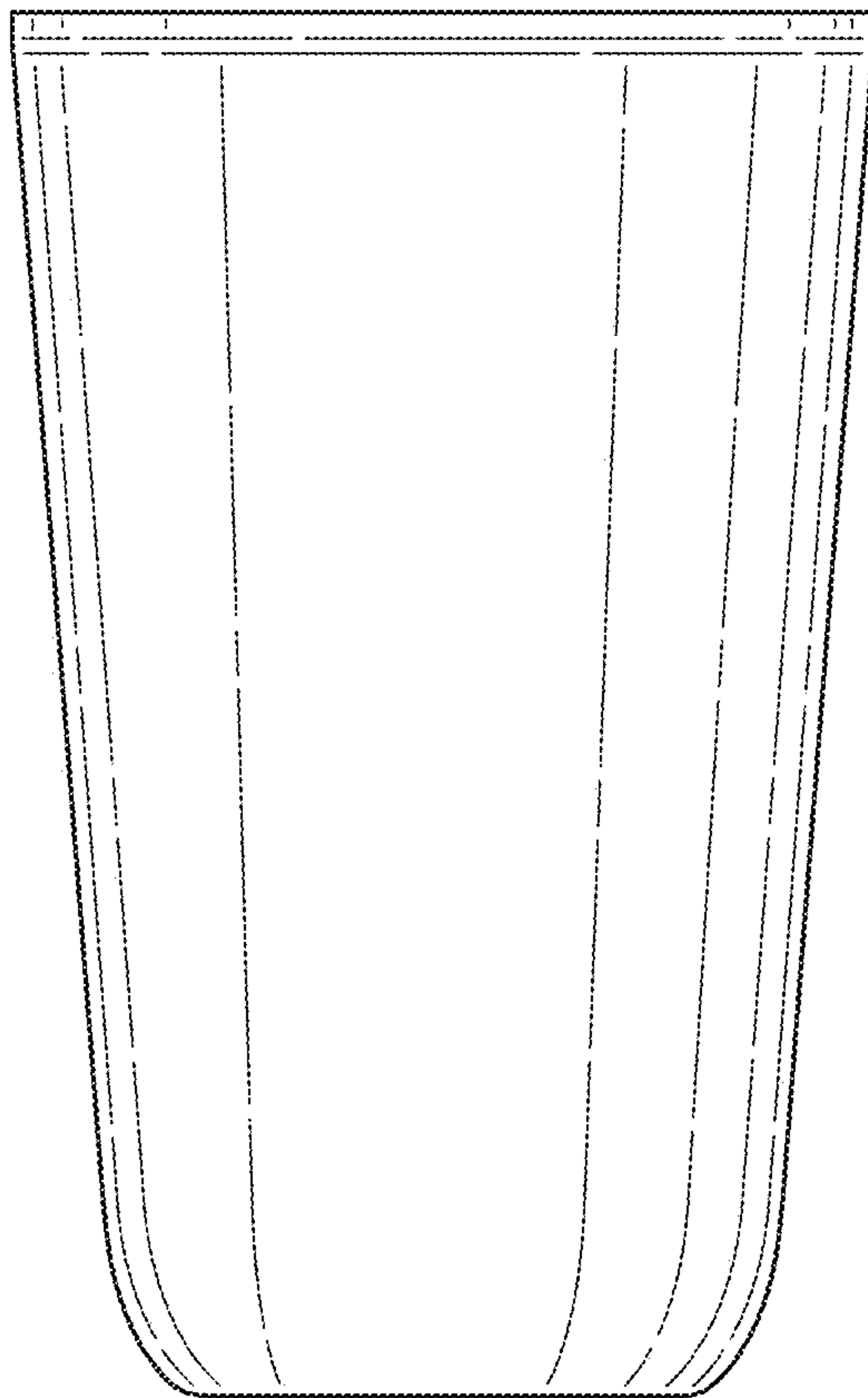


FIG. 7

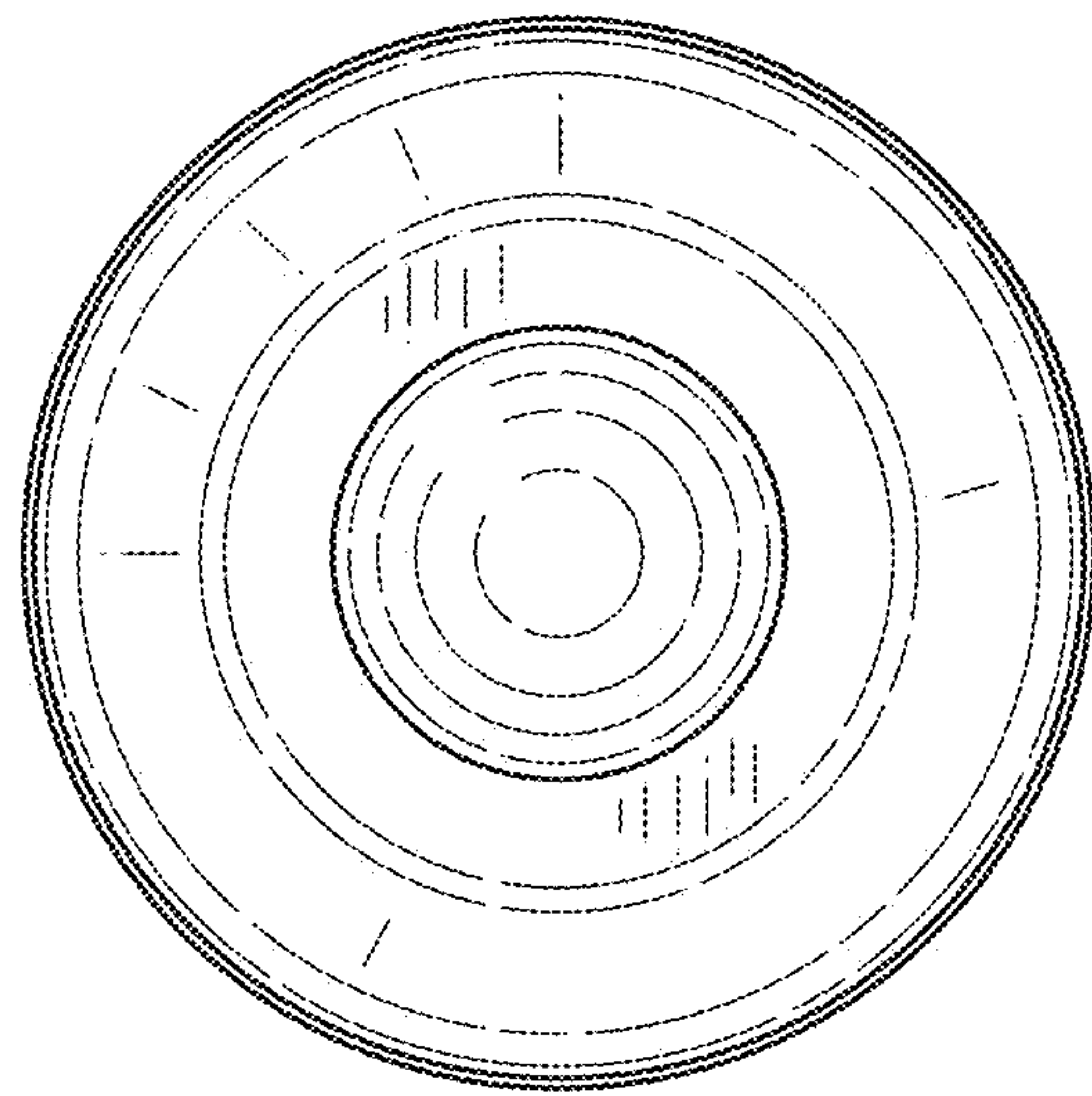


FIG. 8

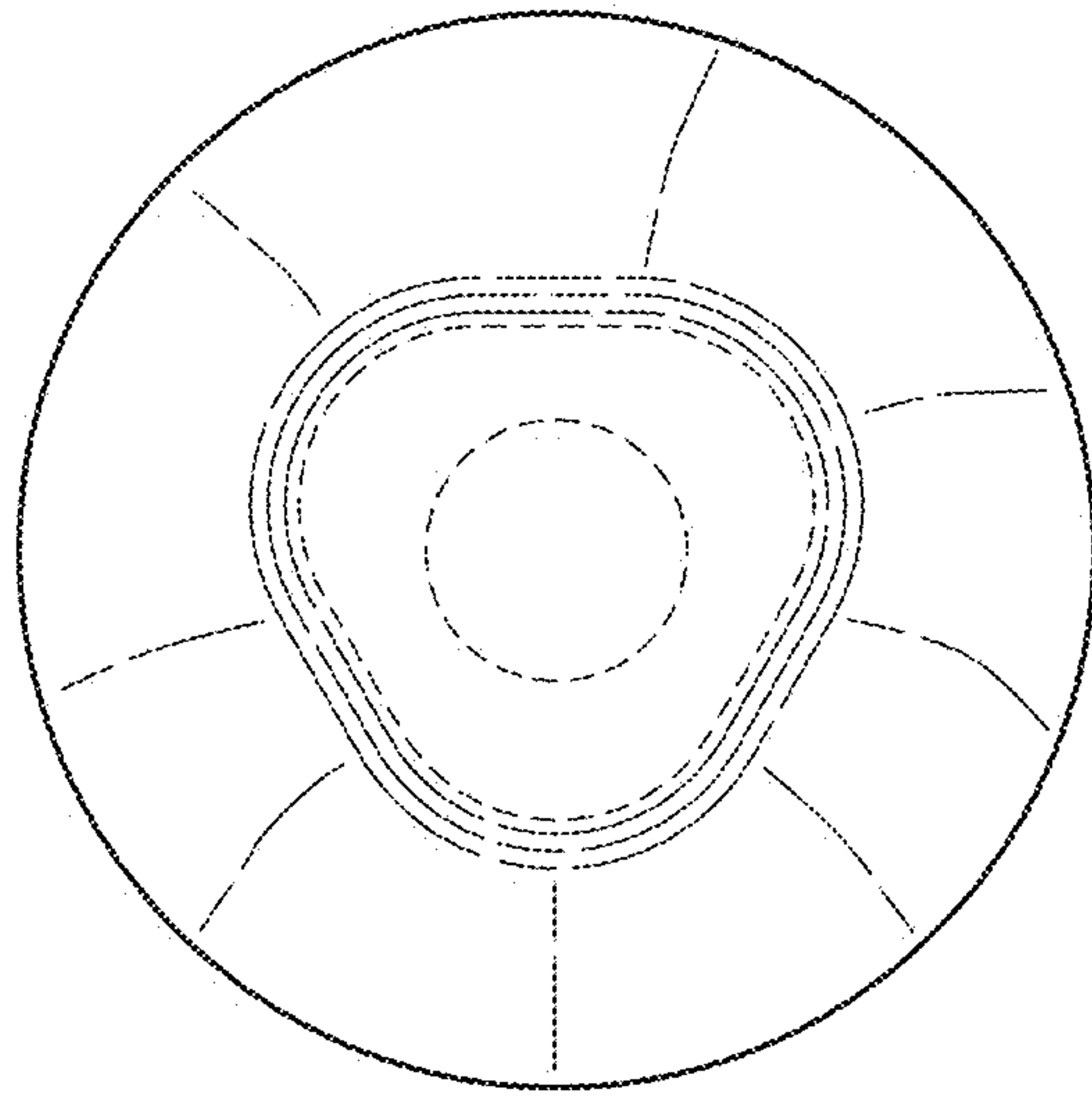


FIG. 9