



US0D1049787S

(12) **United States Design Patent** (10) **Patent No.:** **US D1,049,787 S**
Reaux (45) **Date of Patent:** **** Nov. 5, 2024**

(54) **COMBINED BEVERAGE INSULATOR SLEEVE AND SMOKING ARTICLE HOLDER**

D904,130 S * 12/2020 Myers D7/624.2
D918,657 S * 5/2021 Ouyang D7/509
D921,967 S * 6/2021 Lee D27/143
D956,610 S * 7/2022 Reaux D27/183

(71) Applicant: **Brian K. Reaux**, Red Oak, TX (US)

(72) Inventor: **Brian K. Reaux**, Red Oak, TX (US)

(73) Assignee: **Brian K. Reaux**, Red Oak, TX (US)

(**) Term: **15 Years**

(21) Appl. No.: **29/793,384**

(22) Filed: **Jun. 3, 2022**

(51) **LOC (14) Cl.** **07-09**

(52) **U.S. Cl.**
USPC **D7/624.2; D7/396.2; D27/183**

(58) **Field of Classification Search**
USPC D7/387, 396.2, 601, 605, 607, 608,
D7/619.1, 619.2, 622, 623, 624.2, 625;
D3/202; D9/455; D27/118, 137, 138,
D27/183, 193, 194
CPC A47G 23/02; A47G 23/0208; A47G
23/0216; A47G 23/0225; A47G 23/0233;
A47G 23/0241; A47G 23/0266; A47G
2023/0275; A47G 2023/0283; A47G
2023/0291; A24F 9/14; A24F 13/02;
A24F 13/08; A24F 13/12; A24F 13/22
See application file for complete search history.

(56) **References Cited**

U.S. PATENT DOCUMENTS

D396,780 S * 8/1998 Villarreal, Jr. D7/619.1
D406,386 S * 3/1999 Kuniandy D27/183
D451,636 S * 12/2001 Chang D27/183
D805,249 S * 12/2017 Casalino D27/183
D837,367 S * 1/2019 Reaux D24/128
D858,226 S * 9/2019 Escontrela D7/624.2
D897,784 S * 10/2020 Schaefer D7/620

OTHER PUBLICATIONS

Peiyee_Pack of 10 Cigarette Holder Ring, Silicone Cigarette Holder Ring, first available Nov. 13, 2019, Amazon (DE), [online], [site visited May 21, 2024], Available from internet URL: <https://www.amazon.de/-/en/Cigarette-Silicone-Smoking-Adaptable-Console/dp/B081F562R2> (Year: 2019).*

* cited by examiner

Primary Examiner — Catherine Ho
Assistant Examiner — Natalya M Rapundalo

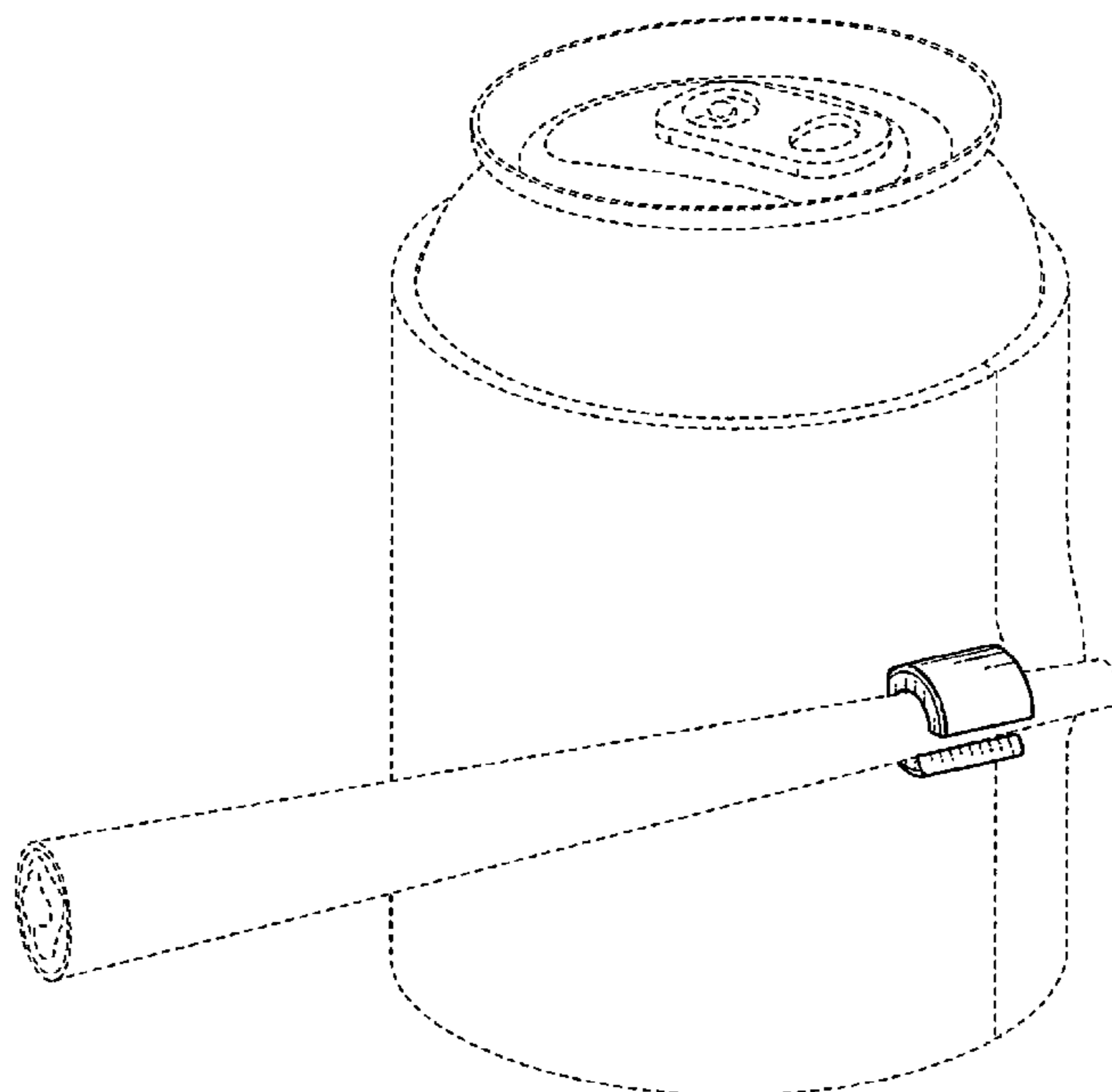
(57) **CLAIM**

The ornamental design for a combined beverage insulator sleeve and smoking article holder substantially as shown and described.

DESCRIPTION

FIG. 1 is a perspective view of a combined beverage insulator sleeve and smoking article holder shown in use; FIG. 2 is a front quarter turn there of the flexible smoking article holder; FIG. 3 is a front view thereof; FIG. 4 is a rear view thereof; FIG. 5 is a right side view thereof; FIG. 6 is a left side view thereof; FIG. 7 is a top view thereof; and, FIG. 8 is a bottom view thereof. The broken lines are for illustrative purpose only and form no part of the claim design.

1 Claim, 7 Drawing Sheets



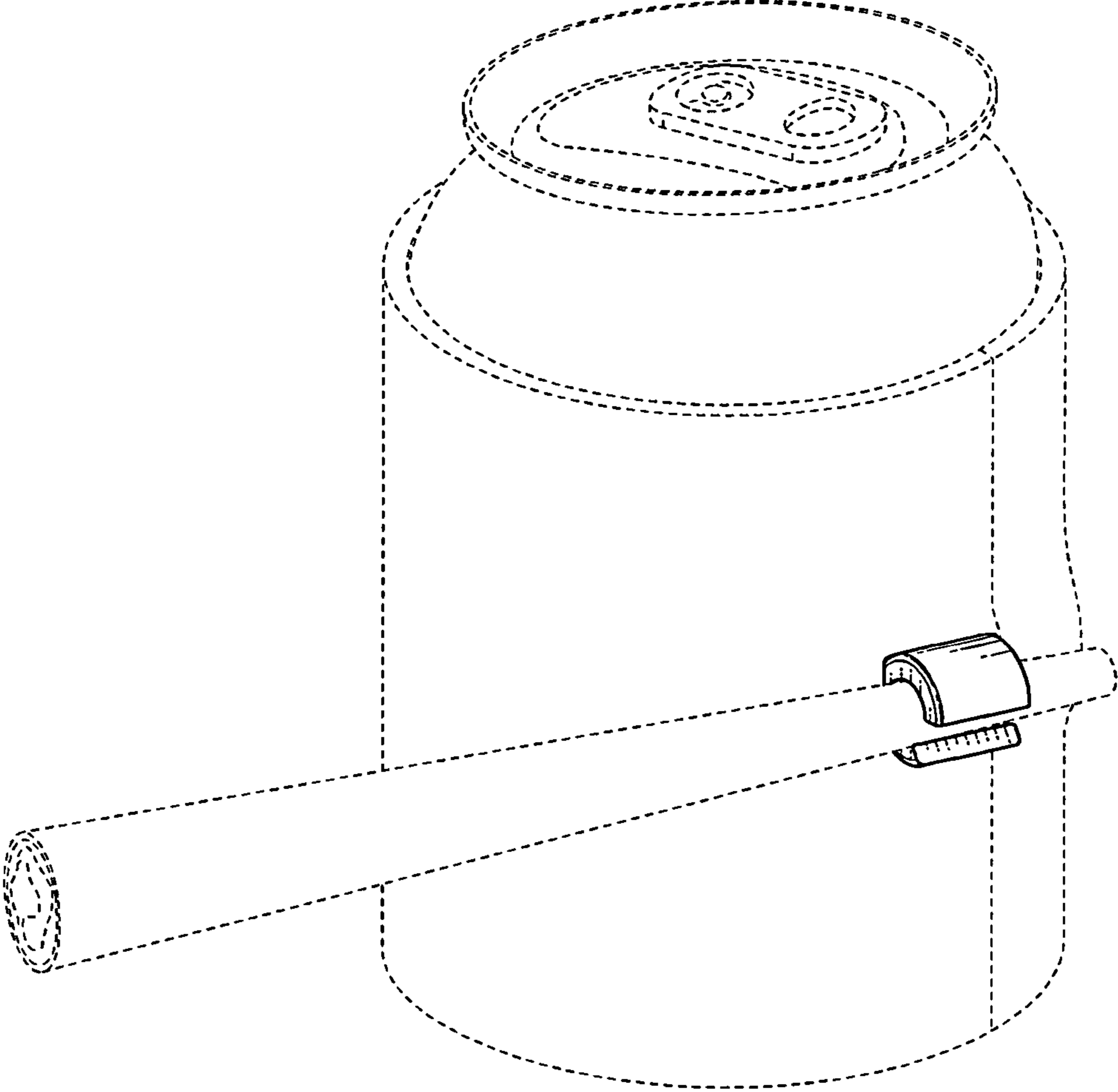


FIG. 1

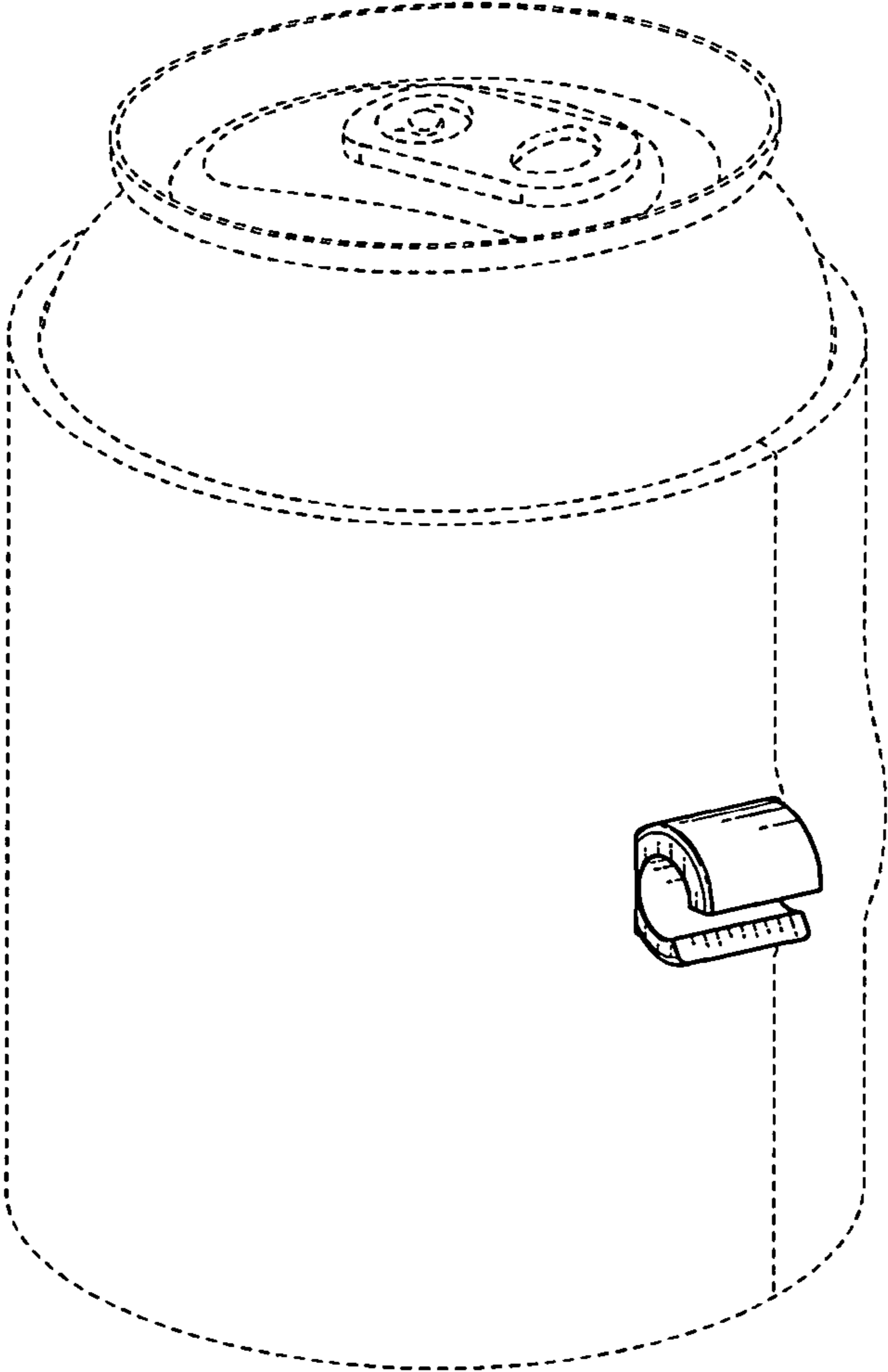


FIG. 2

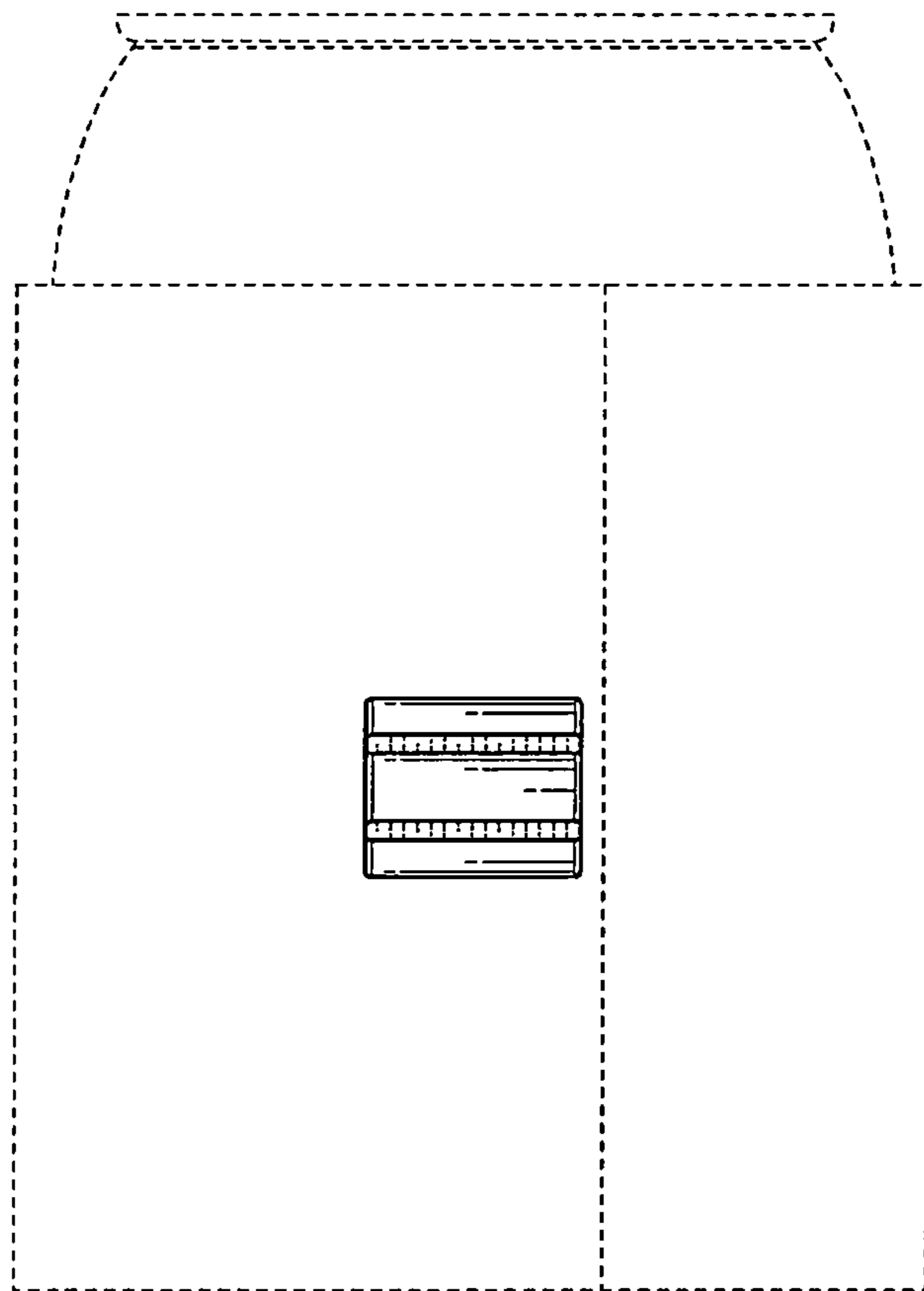


FIG. 3

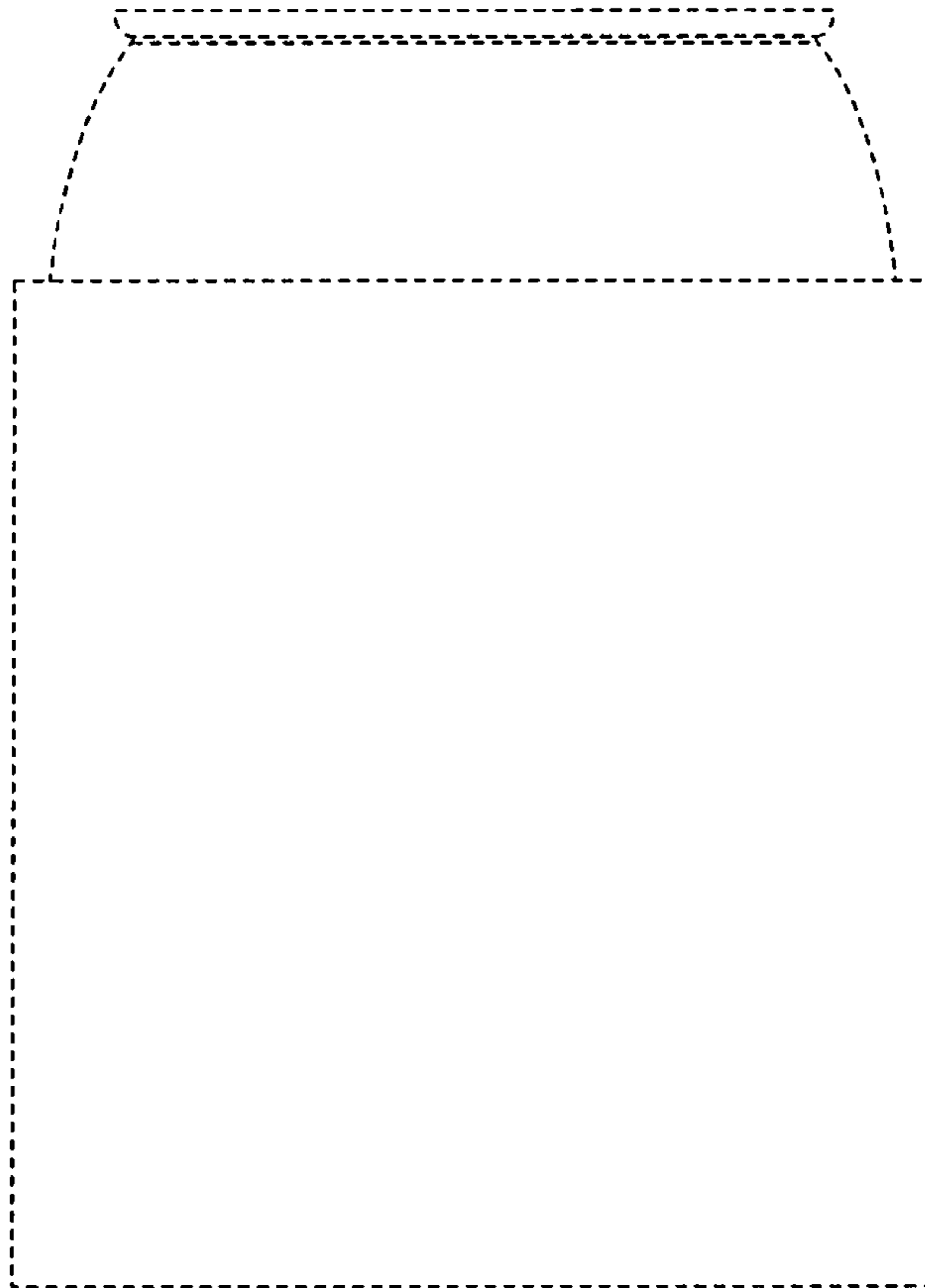


FIG. 4

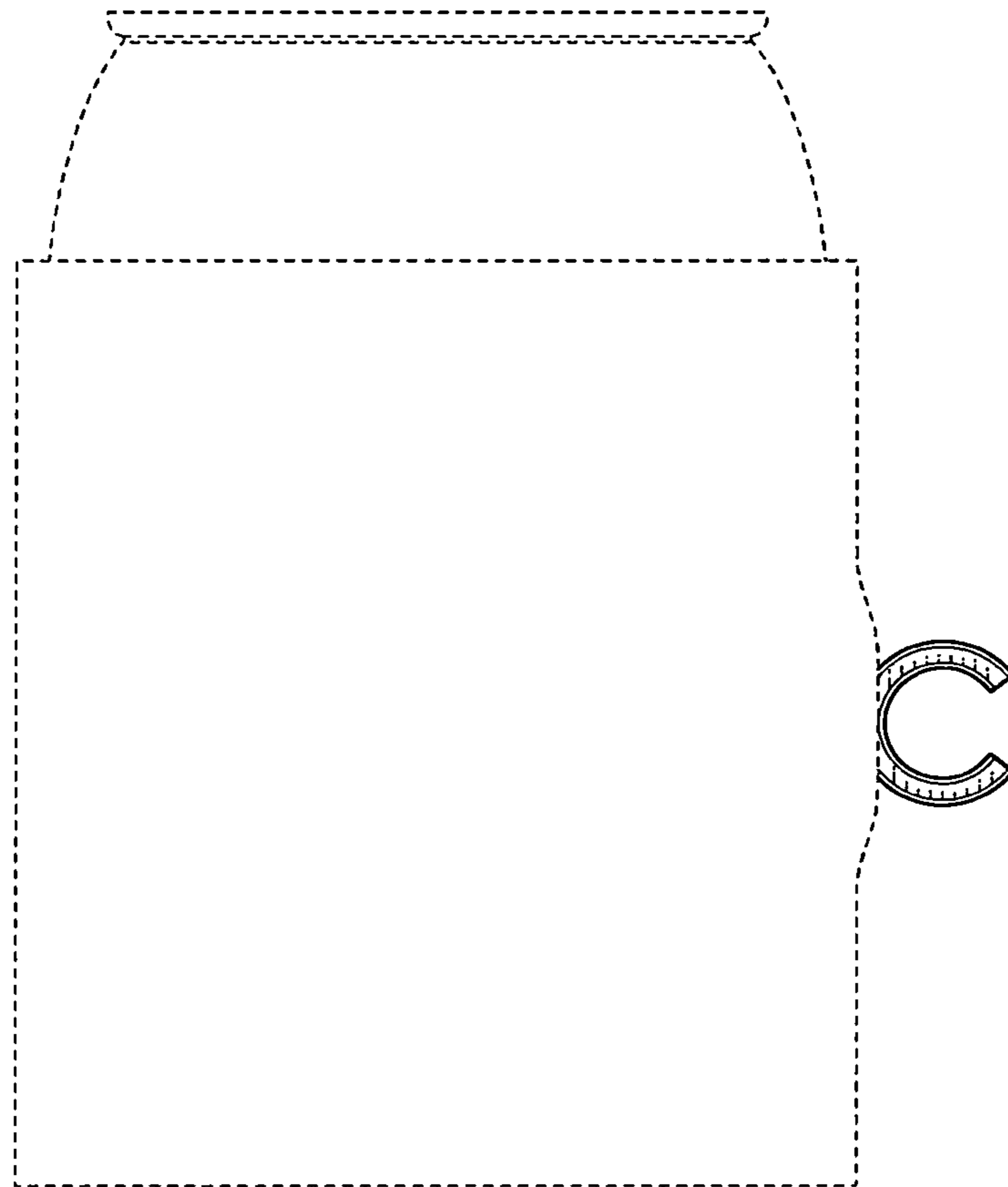


FIG. 5

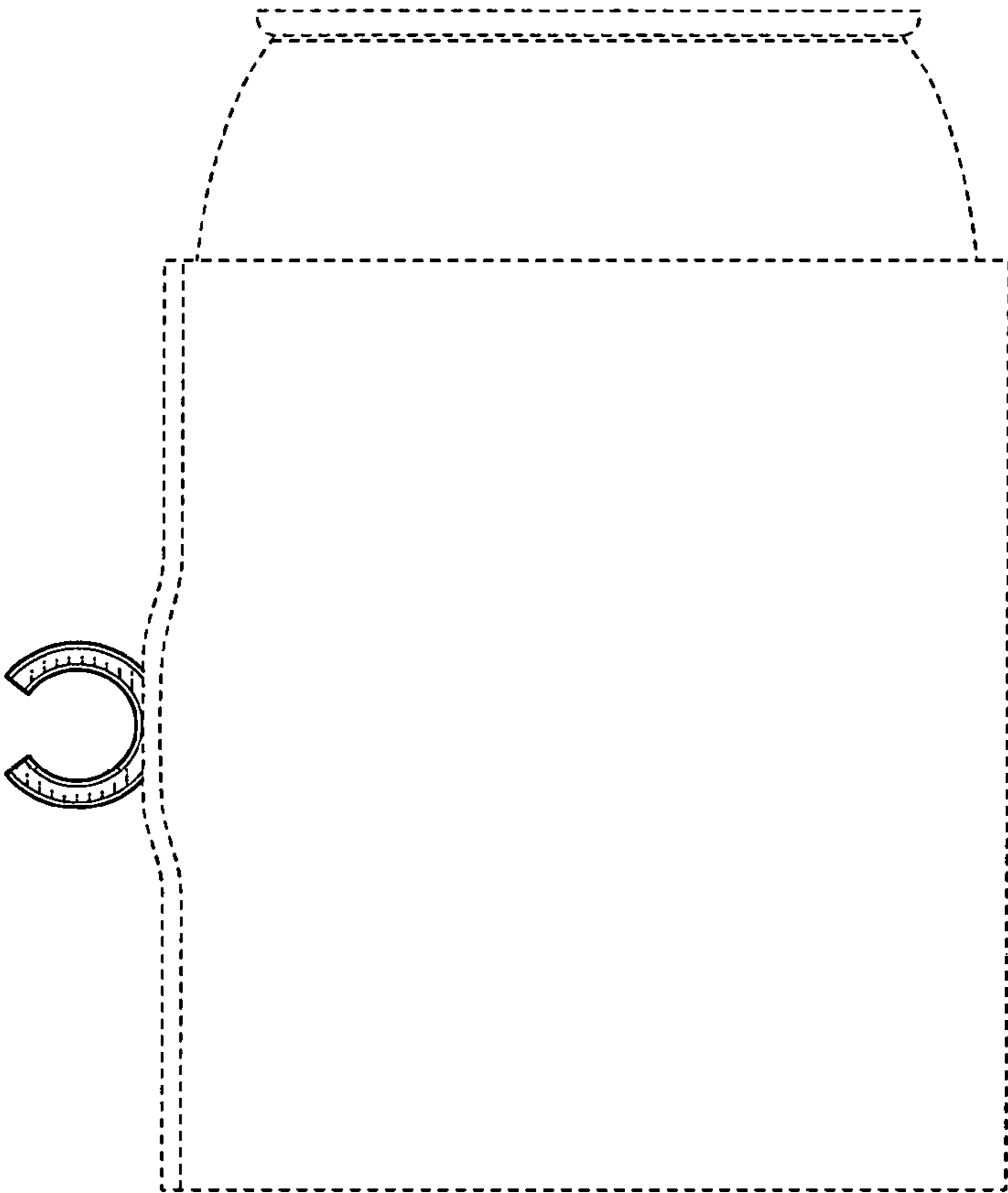


FIG. 6

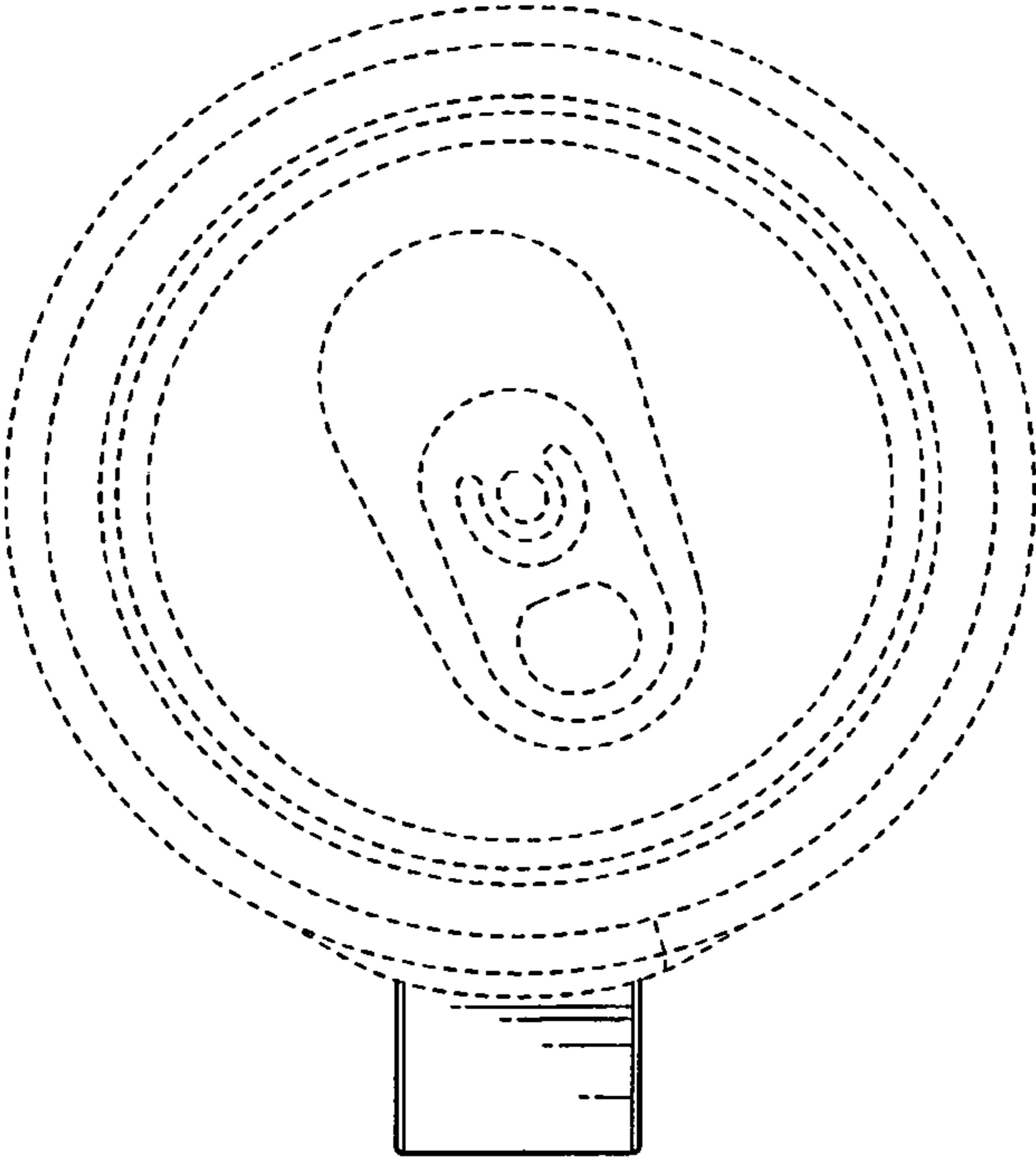


FIG. 7

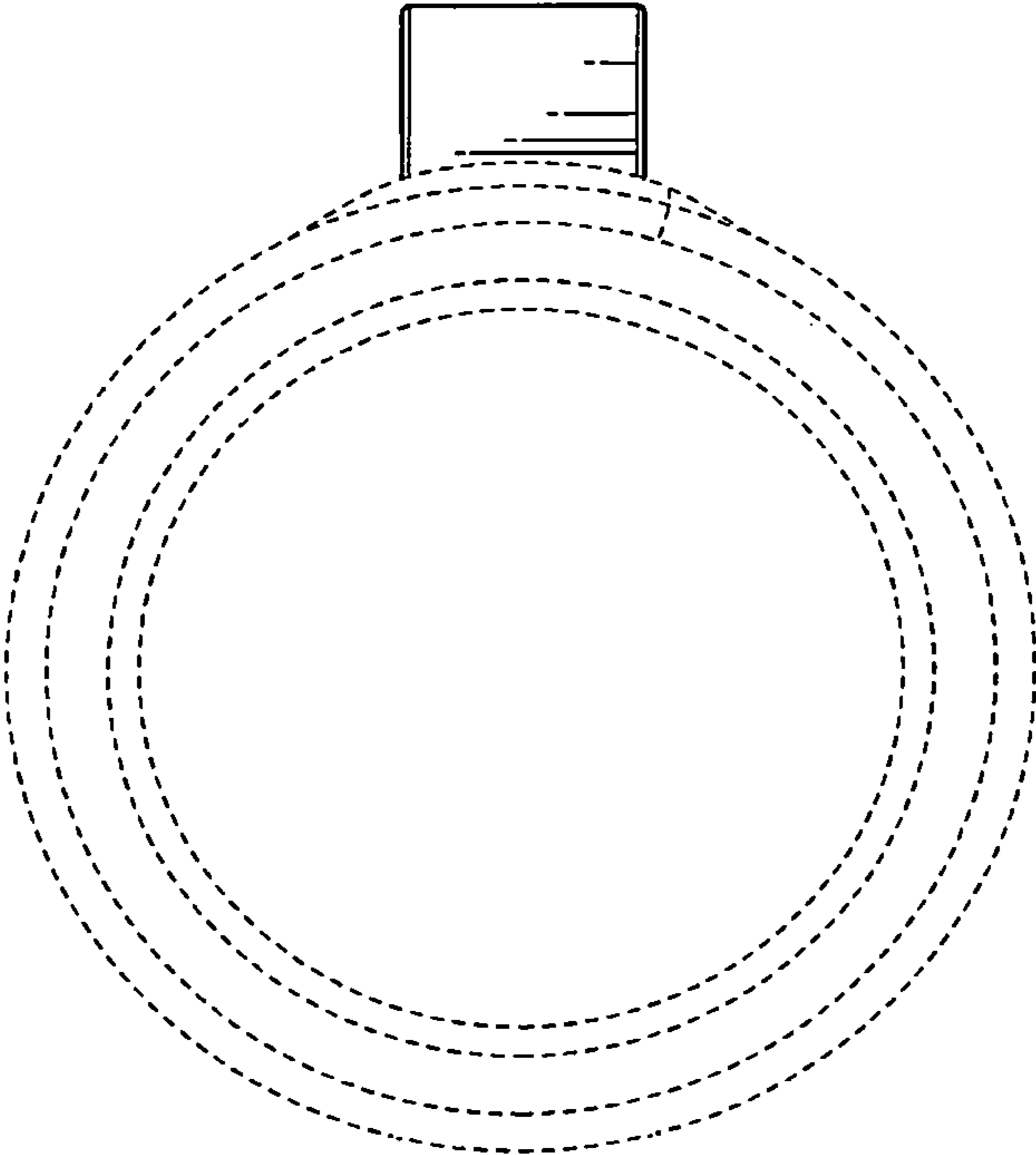


FIG. 8