



US0D1049786S

(12) **United States Design Patent** (10) **Patent No.:** **US D1,049,786 S**  
**Zeng** (45) **Date of Patent:** **\*\* Nov. 5, 2024**

- (54) **SNACK STORAGE BOX**
- (71) Applicant: **Senxiong Zeng**, Guangdong (CN)
- (72) Inventor: **Senxiong Zeng**, Guangdong (CN)
- (\*\*) Term: **15 Years**
- (21) Appl. No.: **29/947,636**
- (22) Filed: **Jun. 17, 2024**

D727,623 S *	4/2015	Nickell	.....	D3/313
D905,573 S *	12/2020	Flanagan	.....	D9/425
D976,588 S *	1/2023	Snell	.....	D3/313
D982,668 S *	4/2023	Su	.....	D21/385
D1,002,390 S *	10/2023	Gardner	.....	D9/761
D1,019,305 S *	3/2024	Xie	.....	D7/703
D1,023,685 S *	4/2024	Zhou	.....	D7/703
D1,024,695 S *	4/2024	Qin	.....	D7/629

(Continued)

**Related U.S. Application Data**

- (63) Continuation-in-part of application No. 29/935,058, filed on Mar. 29, 2024.
- (51) **LOC (14) Cl.** ..... **07-09**
- (52) **U.S. Cl.**  
USPC ..... **D7/602**
- (58) **Field of Classification Search**  
USPC ..... D7/629, 709, 637, 392.1, 510, 542, 313, D7/630-631, 703, 608; D1/112; D3/304, D3/307, 312-313, 201; D6/675.5, 518; D9/537, 504, 435, 424-425; D19/86, 92  
CPC ..... A47G 19/26; A47G 19/00; A47J 41/00; A45C 11/20; B65D 85/36; B65D 41/04; B65D 21/0228; B65D 21/083; B65D 21/045; B65D 21/0212; B65D 21/0233; B65D 25/04; B65D 25/20; B65D 51/28; B65D 81/382; B65D 1/22  
See application file for complete search history.

**References Cited**

**U.S. PATENT DOCUMENTS**

D321,074 S *	10/1991	Eby	.....	D9/737
D422,141 S *	4/2000	Dembicks	.....	D3/304
D450,185 S *	11/2001	Dembicks	.....	D3/313
D472,711 S *	4/2003	Chen	.....	D3/313
D569,243 S *	5/2008	Kidd	.....	D9/425
D641,234 S *	7/2011	Salin	.....	D9/425
D672,395 S *	12/2012	Chuang	.....	D19/77
D695,576 S	12/2013	Roehrig et al.		

**OTHER PUBLICATIONS**

Divided Serving Tray with Lid and Handle, first available Jun. 3, 2024. Retrieved from: <https://www.amazon.com/dp/B0D5XW5PGN> on Jul. 26, 2024.\*

(Continued)

*Primary Examiner* — Shannon W Morgan  
*Assistant Examiner* — Terilyn Davis

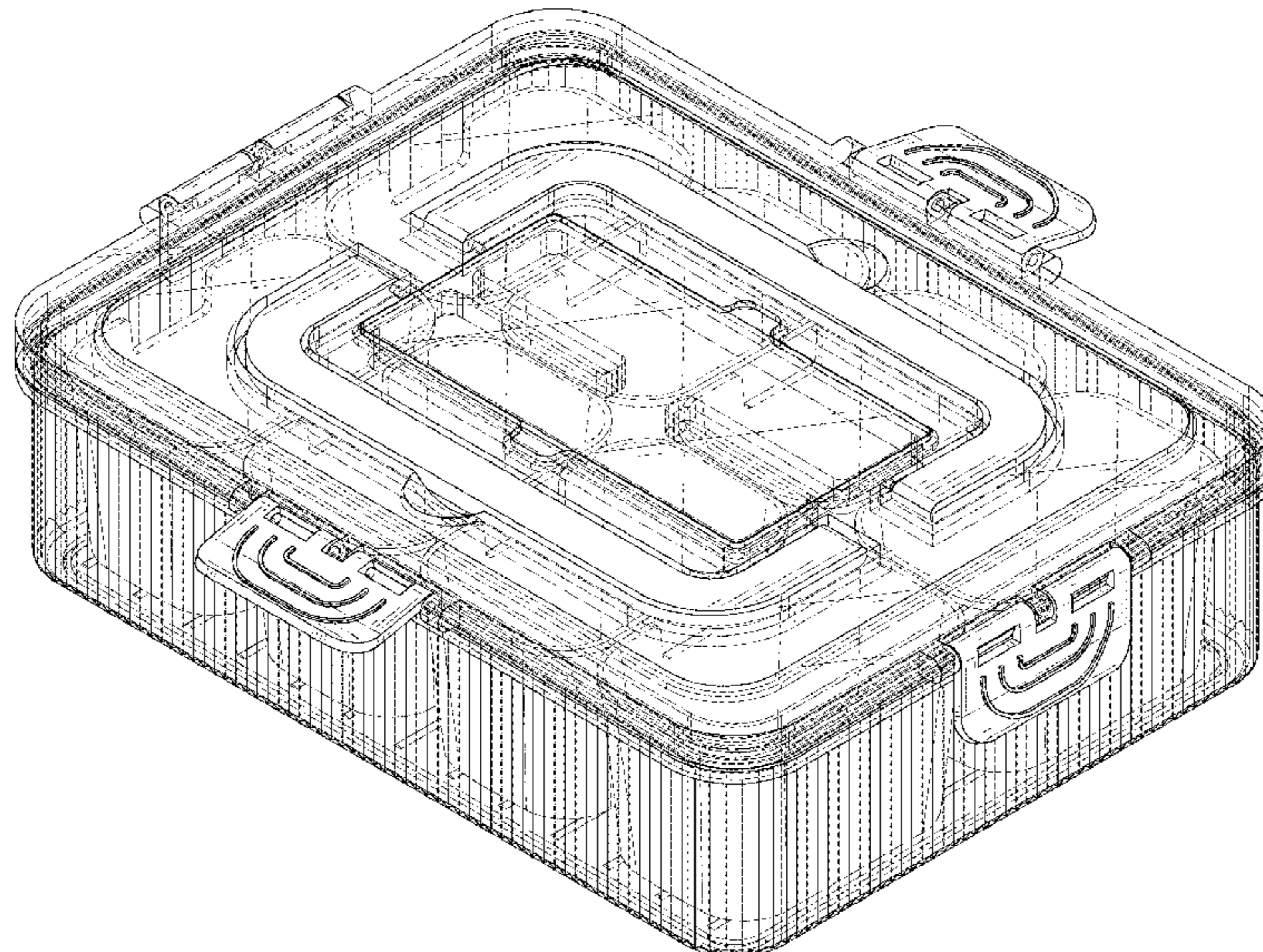
(57) **CLAIM**

The ornamental design for a snack storage box, as shown and described.

**DESCRIPTION**

FIG. 1 is a front, top perspective view of a snack storage box, showing my new design;  
FIG. 2 is a rear, bottom perspective view thereof;  
FIG. 3 is a front elevation view thereof;  
FIG. 4 is a rear elevation view thereof;  
FIG. 5 is a left side elevation view thereof;  
FIG. 6 is a right side elevation view thereof;  
FIG. 7 is a top plan view thereof;  
FIG. 8 is a bottom plan view thereof;  
FIG. 9 is an exploded front, top perspective view of the snack storage box; and,  
FIG. 10 is a rear, bottom perspective view thereof.  
The broken lines in the figures illustrate portions of the snack storage box that form no part of the claimed design.

**1 Claim, 10 Drawing Sheets**



(56)

**References Cited**

U.S. PATENT DOCUMENTS

D1,034,111 S \* 7/2024 Frohwein ..... D7/703  
2017/0029169 A1\* 2/2017 Shamp ..... B65D 21/0233

OTHER PUBLICATIONS

Snackle Box Container With Tableware Storage, first available May 27, 2024. Retrieved from: [https://www.amazon.com/dp/B0D5BMYW5S?ref=emc\\_p\\_m\\_5\\_i\\_atc&th=1](https://www.amazon.com/dp/B0D5BMYW5S?ref=emc_p_m_5_i_atc&th=1) on Jul. 26, 2024.\*

Divided Serving Tray with Lid and Handle, first available Apr. 2, 2024. Retrieved from: <https://www.amazon.com/dp/B0CZMVYK37> on Jul. 26, 2024.\*

JoyJolt 24pc Fluted Glass Storage Containers with Lids, first available Sep. 27, 2023. Retrieved from: <https://www.amazon.com/JoyJolt-Storage-Containers-Airtight-Freezer/dp/B0CJYNNC63?th=1> on Jul. 26, 2024.\*

\* cited by examiner

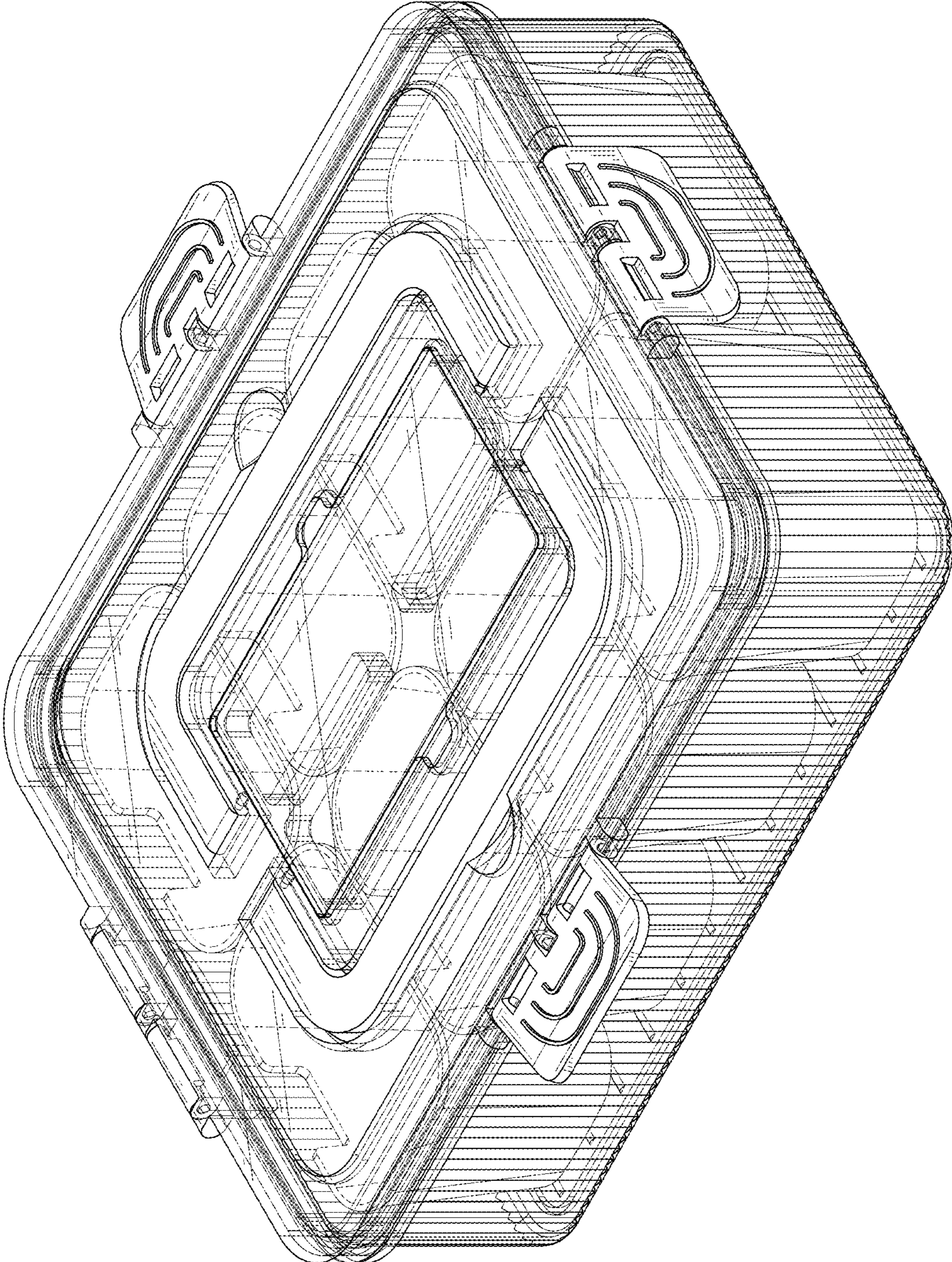


FIG. 1

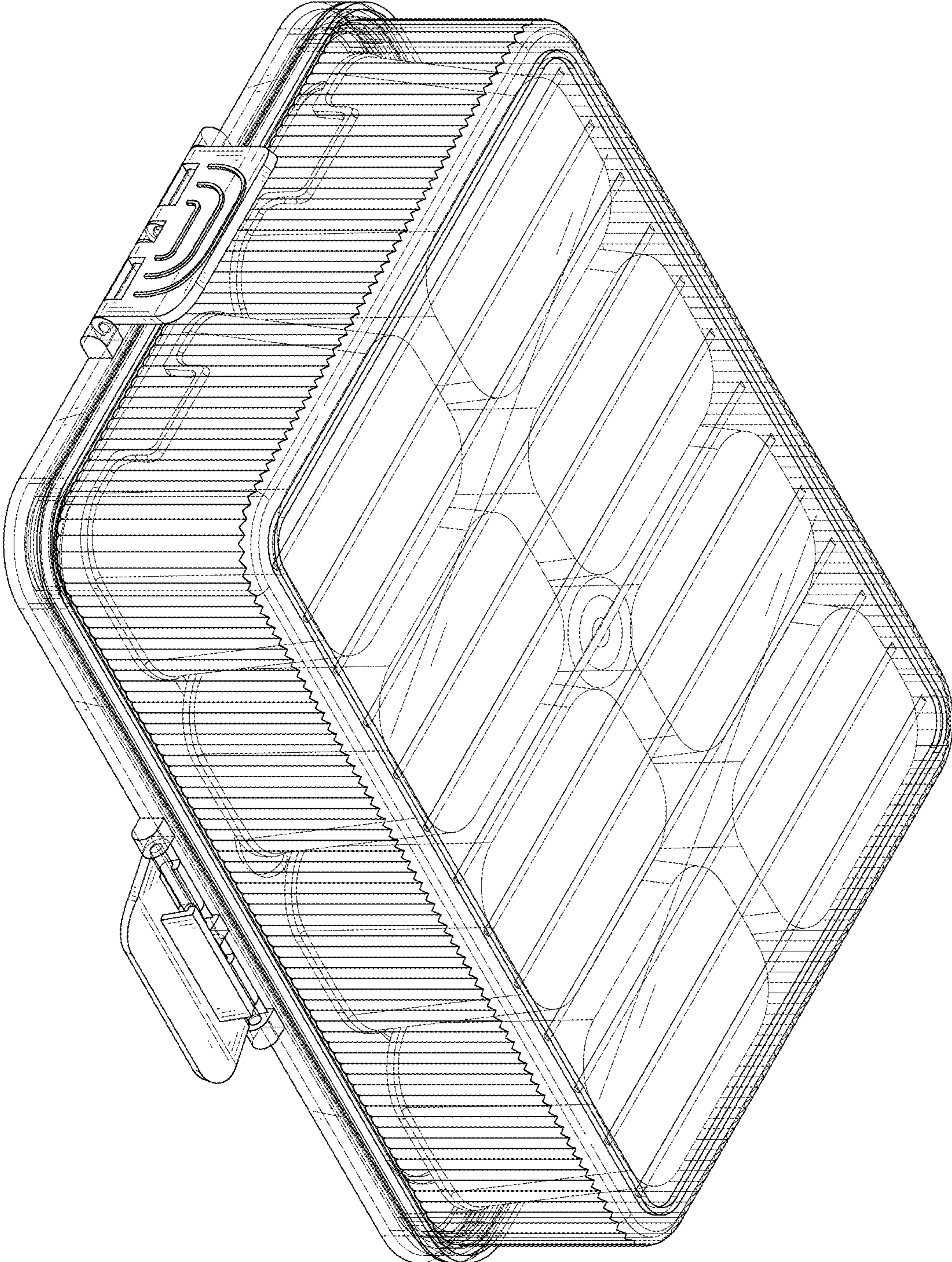


FIG. 2

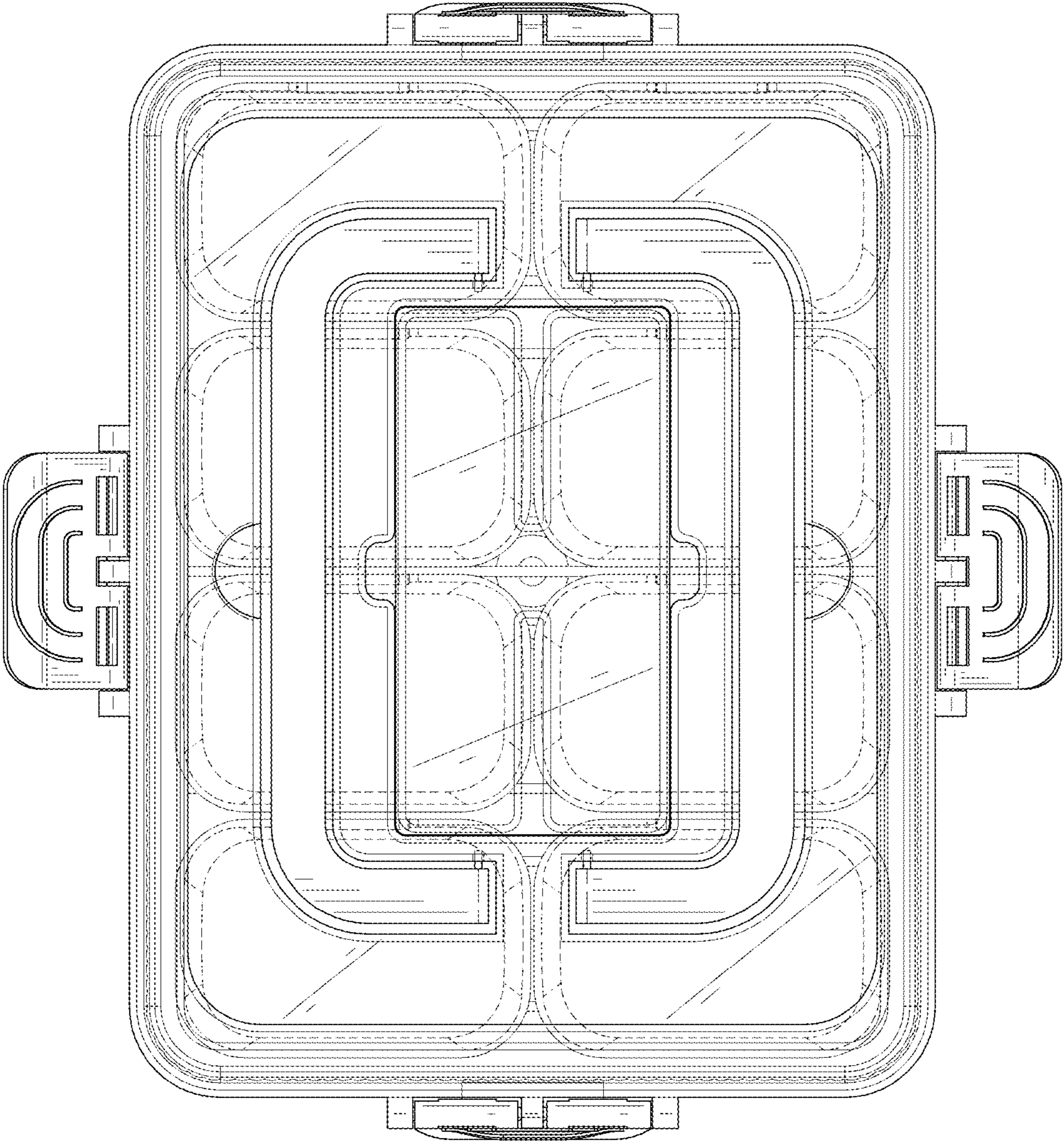


FIG. 3

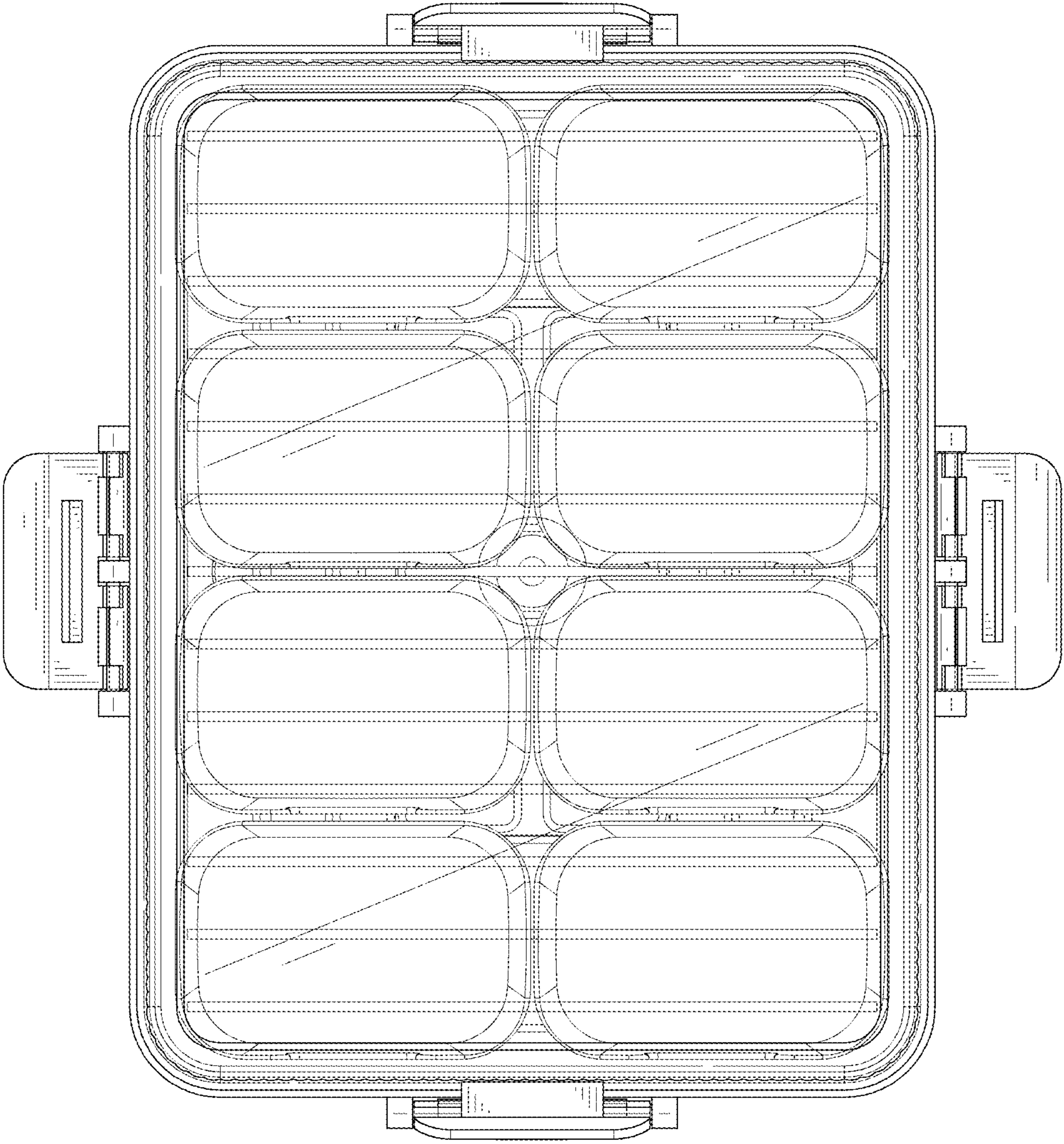


FIG. 4

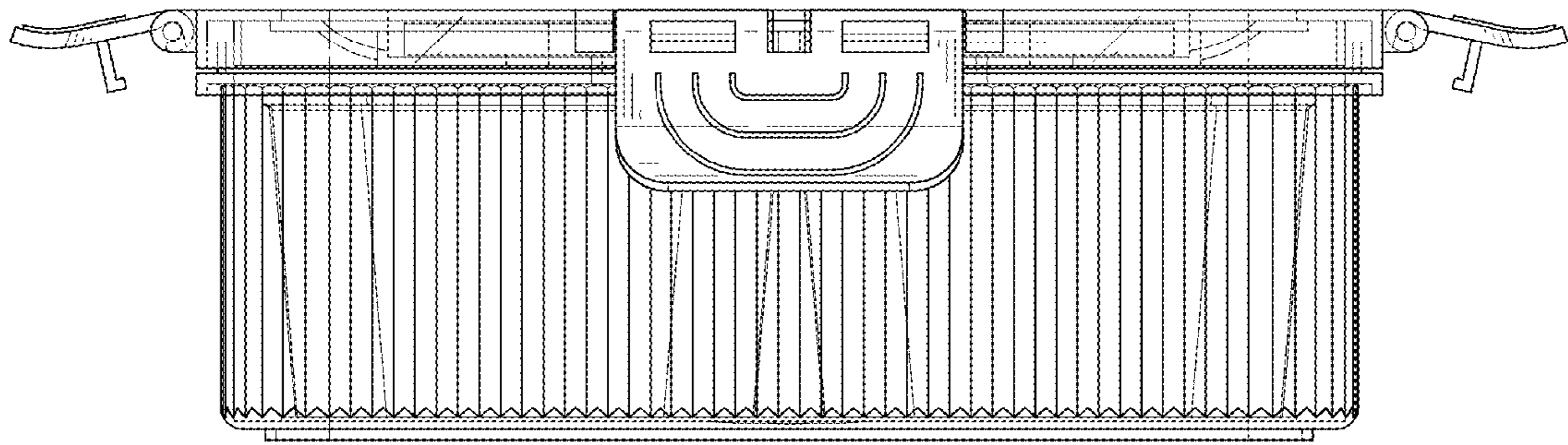


FIG. 5

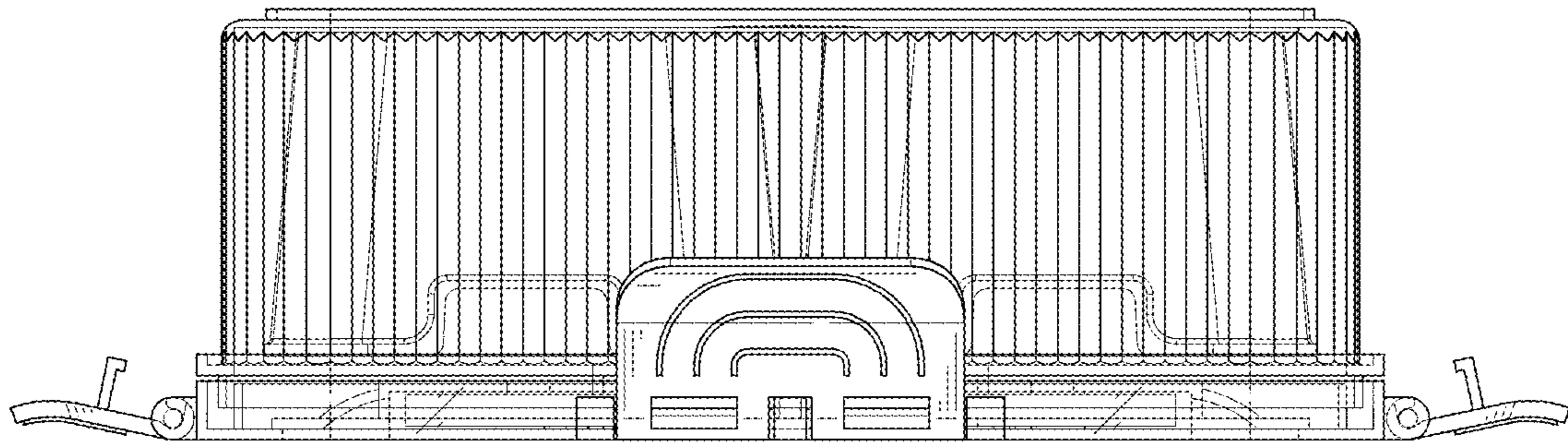


FIG. 6



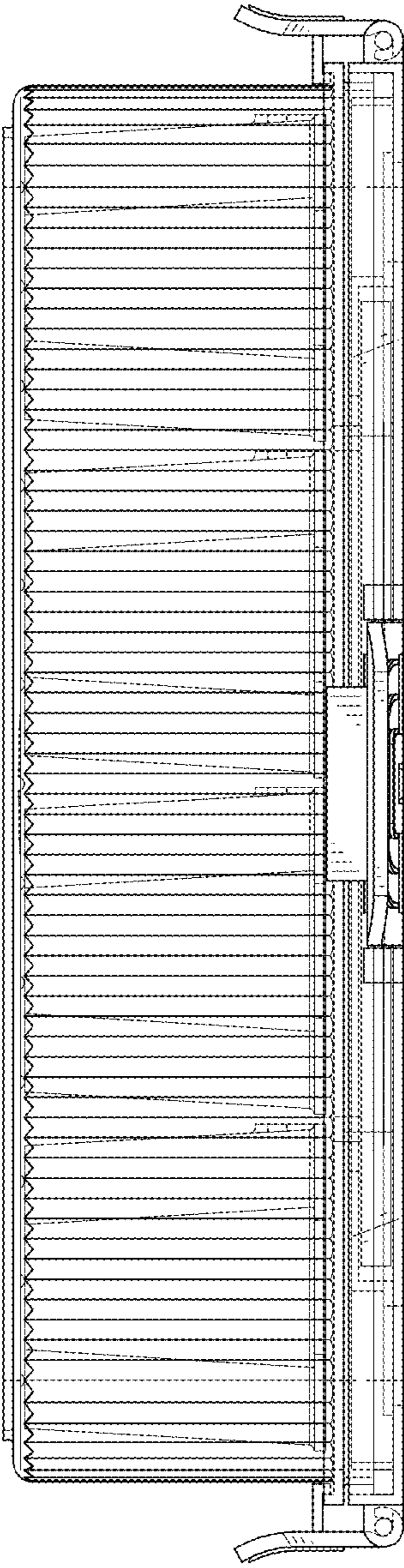


FIG. 7

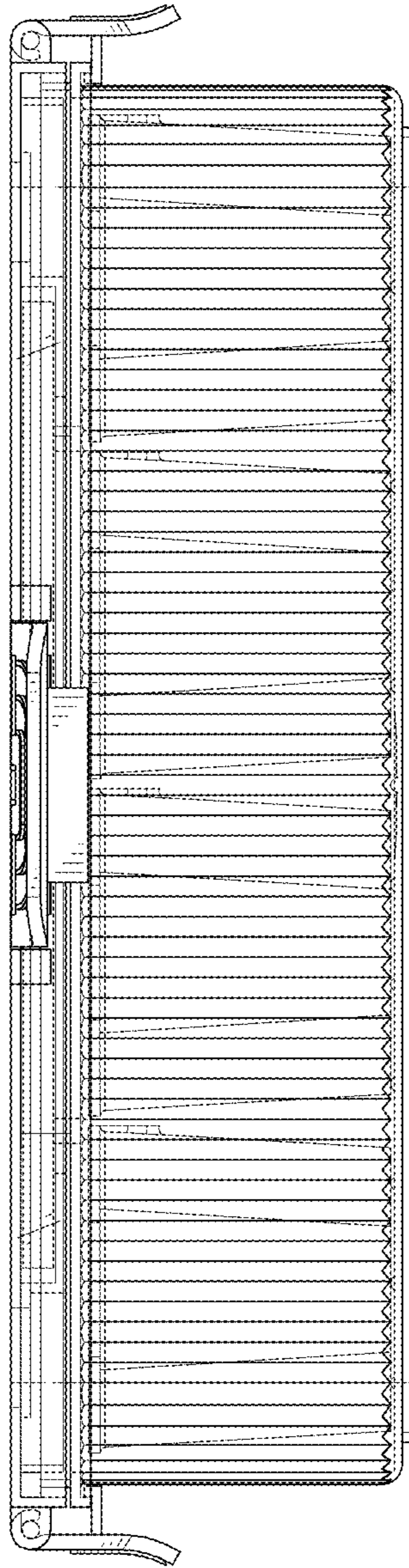


FIG. 8

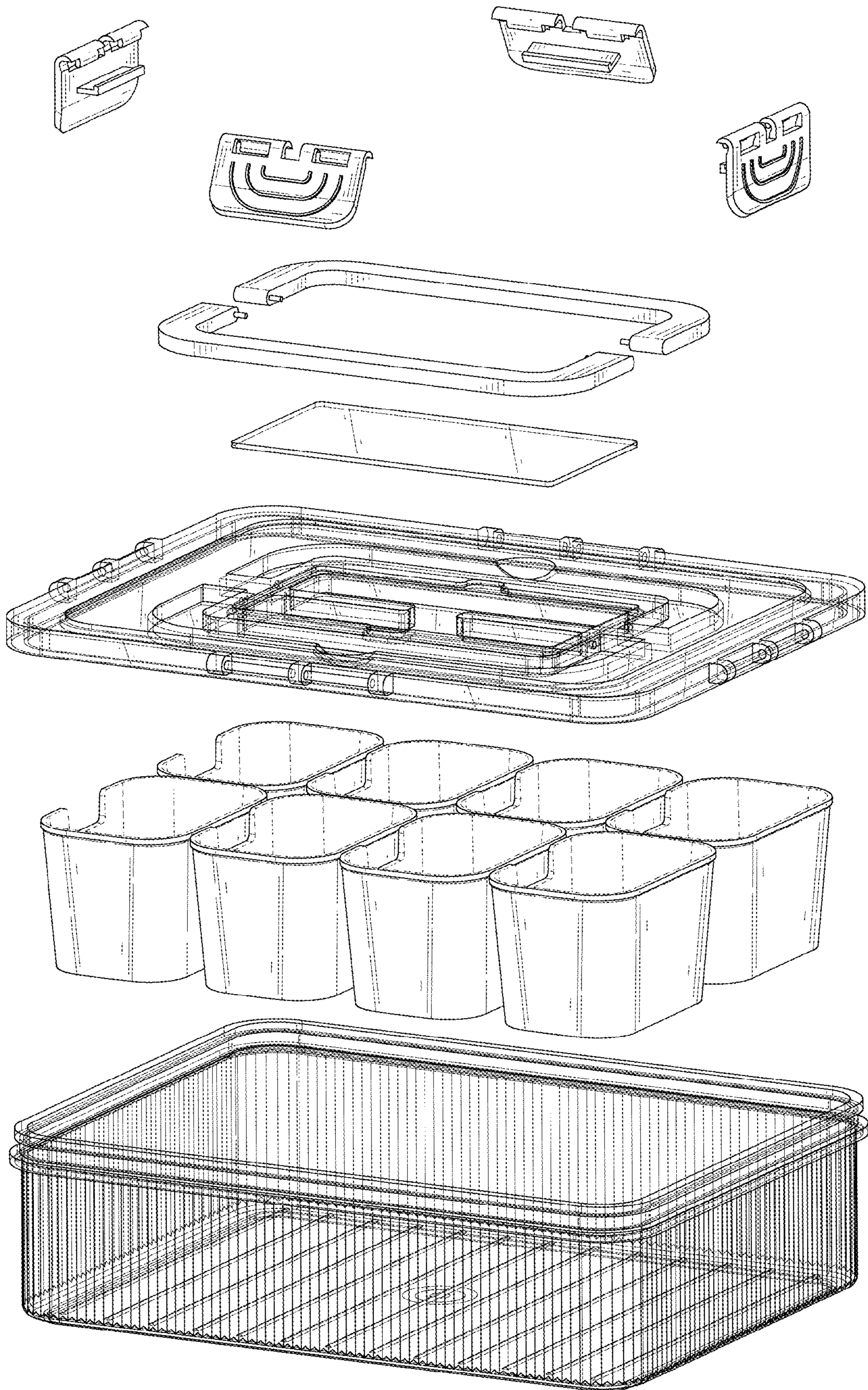


FIG. 9

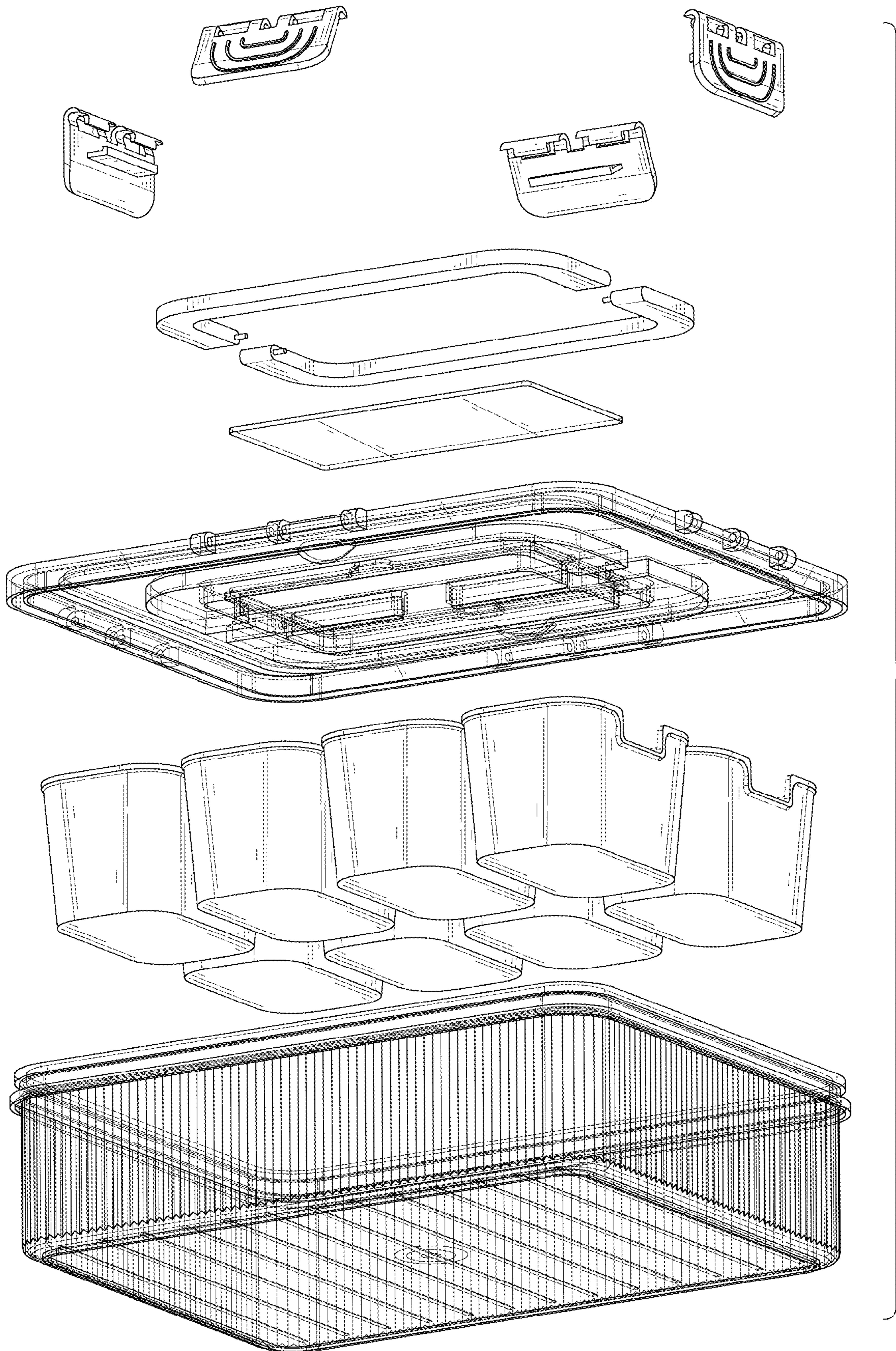


FIG. 10