



US0D1049690S

(12) **United States Design Patent** (10) **Patent No.:** **US D1,049,690 S**
Dominguez (45) **Date of Patent:** **** Nov. 5, 2024**

(54) **BAG DISPENSER**

(71) Applicant: **Diversified Products and Services LLC**, Lakewood, CO (US)

(72) Inventor: **David Dominguez**, Lakewood, CO (US)

(73) Assignee: **Diversified Products and Services LLC**, Lakewood, CO (US)

(**) Term: **15 Years**

(21) Appl. No.: **29/867,603**

(22) Filed: **Oct. 31, 2022**

(51) **LOC (14) Cl.** **06-06**

(52) **U.S. Cl.**
USPC **D6/515**

(58) **Field of Classification Search**
USPC D6/515, 512, 513, 517, 518, 519, 520, D6/522; D7/589, 631; D9/432, 433, D9/733, 734
CPC ... B65D 83/0894; B65D 5/725; A47F 13/085; A47F 9/042; A47K 10/38; A47K 10/3836; A47K 10/421; A47K 10/424; A47K 10/36; A47K 10/185; A47K 10/427; A47K 2010/3253
See application file for complete search history.

(56) **References Cited**

U.S. PATENT DOCUMENTS

| | | | | |
|-----------------|---------|----------------|-------|--------|
| D495,544 S * | 9/2004 | Tan | | D6/515 |
| D568,654 S * | 5/2008 | Edwards | | D6/515 |
| D778,082 S * | 2/2017 | Abbott | | D6/518 |
| D778,083 S | 2/2017 | Abbott | | |
| D779,227 S * | 2/2017 | Abbott | | D6/518 |
| D862,006 S | 10/2019 | Axelrod et al. | | |
| D935,798 S | 11/2021 | Carr | | |
| D972,332 S * | 12/2022 | Fang | | D6/519 |
| D1,015,770 S * | 2/2024 | Egleston | | D6/515 |
| D1,024,600 S * | 4/2024 | Greenwood | | D6/518 |
| 2007/0267531 A1 | 11/2007 | Petersen | | |

(Continued)

FOREIGN PATENT DOCUMENTS

| | | | |
|----|-----------|---|--------|
| CA | 175681 | * | 6/2018 |
| CN | 308535227 | * | 3/2024 |
| GB | 2090920 | * | 4/2000 |

OTHER PUBLICATIONS

Dynaflow Big Bag Dispenser, posted May 15, 2022 [online], [retrieved Jun. 25, 2024]. Retrieved from internet, <https://www.amazon.com/Dynaflow-Big-Dispenser-FIBC-Bulk-Unloader/dp/B0B1CGC4B2> (Year: 2022).*

(Continued)

Primary Examiner — Cynthia Ramirez

Assistant Examiner — Jeremy S. Swartz

(74) *Attorney, Agent, or Firm* — MP Patents, LLC

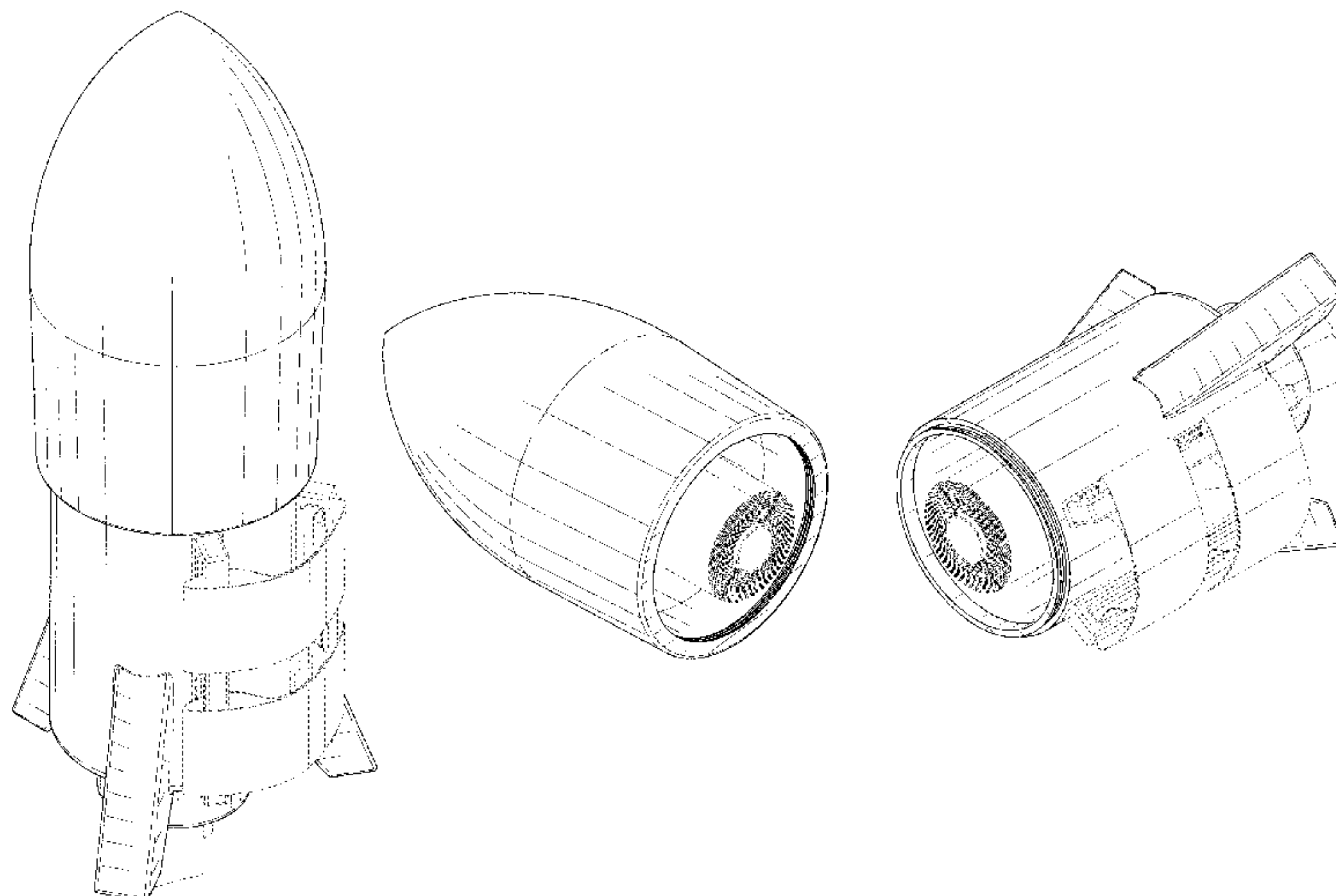
(57) **CLAIM**

The ornamental design for a bag dispenser as shown and described.

DESCRIPTION

FIG. 1 is a perspective view of the bag dispenser. FIG. 2 is a front view thereof. FIG. 3 is a rear view thereof. FIG. 4 is a left-side view thereof while a right-side view is a mirror image of the right-side view. FIG. 5 is a top view thereof. FIG. 6 is a bottom view thereof; and, FIG. 7 is a perspective view of the bag dispenser in an open configuration. The broken lines in the figures form no part of the claimed design. The dash-dash-dash lines represent unclaimed portions of the bag dispenser and the dot-dash-dot lines represent boundaries. The broken lines showing the roll of bags in the figures depict environment and form no part of the claimed design.

1 Claim, 7 Drawing Sheets



(56)

References Cited

U.S. PATENT DOCUMENTS

2008/0173662 A1 7/2008 Che
2011/0272442 A1 11/2011 Che
2017/0006827 A1 1/2017 Miller
2018/0118456 A1 5/2018 Needham
2019/0343082 A1 11/2019 Yeboah
2020/0307842 A1 10/2020 Ross

OTHER PUBLICATIONS

Hosoncovy Rocket Shape, posted unknown [online], [retrieved Jun. 25, 2024]. Retrieved from internet, <https://ibspot.com/products/hosoncovy-rocket-shape-disposable-paper-cup-dispenser-wall-mounted-cup-storage-disposable-cup-holder-with-tea-bag-storage-box-for-home-office-green> (Year: 2024).*

Howuxzo Big Bag Dispenser, posted Oct. 15, 2022 [online], [retrieved Jun. 25, 2024]. Retrieved from internet, <https://www.amazon.com/HOWUXZO-Dispenser-Unloader-unloader-warehouse/dp/B0BJ91VGMH> (Year: 2022).*

Poo Rocket, posted Feb. 19, 2022 [online], [retrieved Jun. 25, 2024]. Retrieved from internet, <https://thangs.com/designer/MandicReally/3d-model/Poo%20Rocket%20-%20Dog%20Waste%20Bag%20Holder-51692> (Year: 2022).*

Rocket spaceship shaped Soft Silicone Dog Waste Bag Holder, posted unknown [online], [retrieved Jun. 25, 2024]. Retrieved from internet, https://www.alibaba.com/product-detail/Rocket-spaceship-shaped-Soft-Silicone-Dog_60830094298.html (Year: 2024).*

* cited by examiner

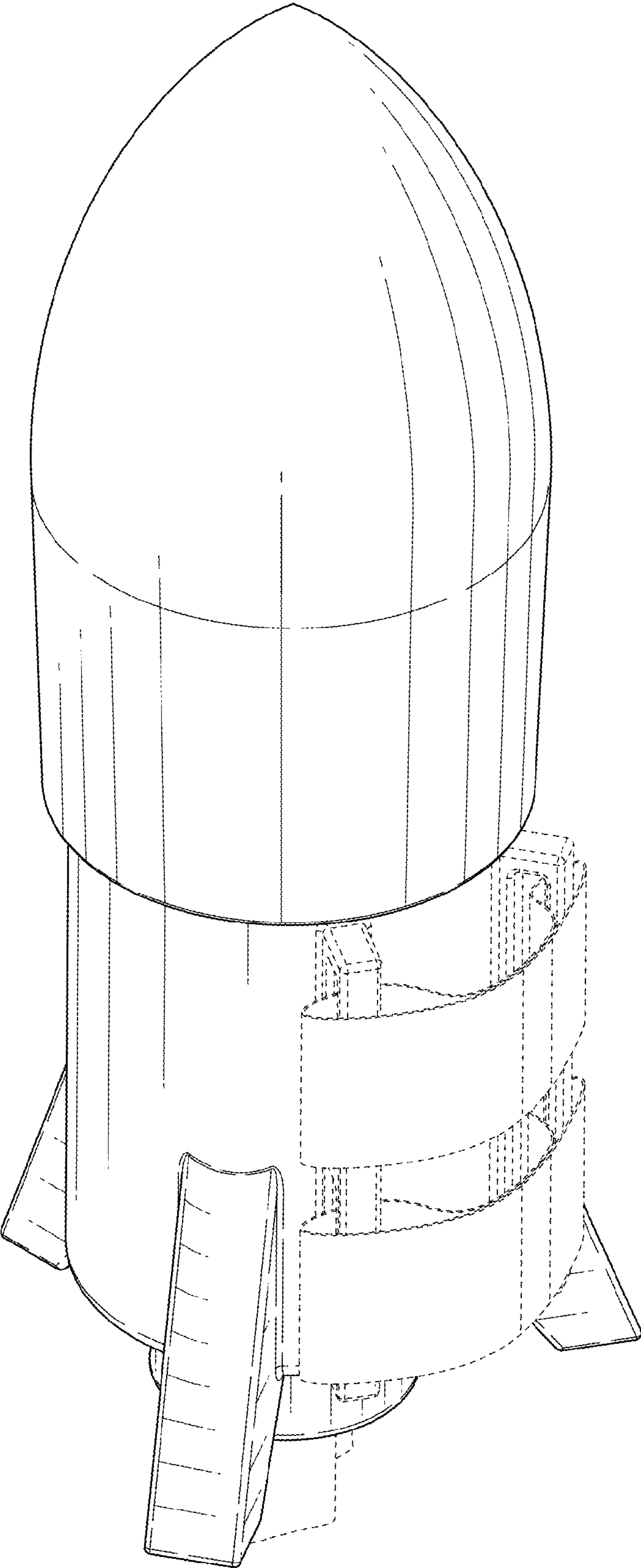


FIG. 1

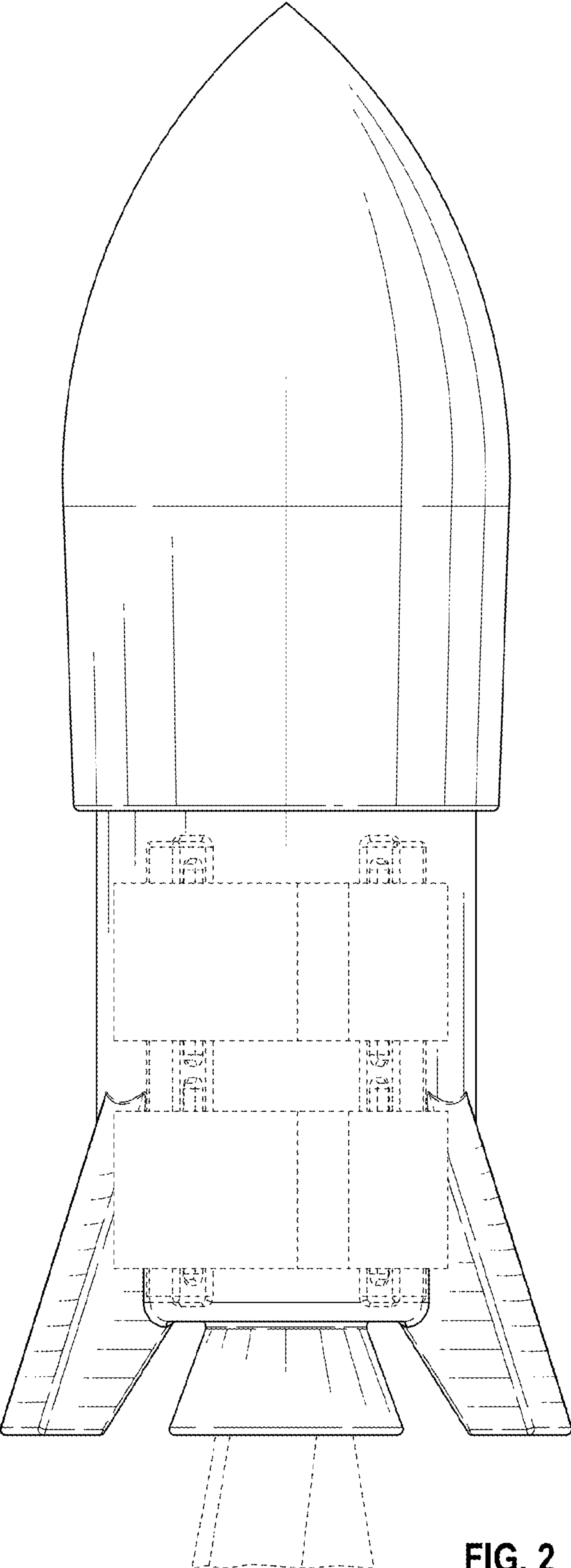


FIG. 2

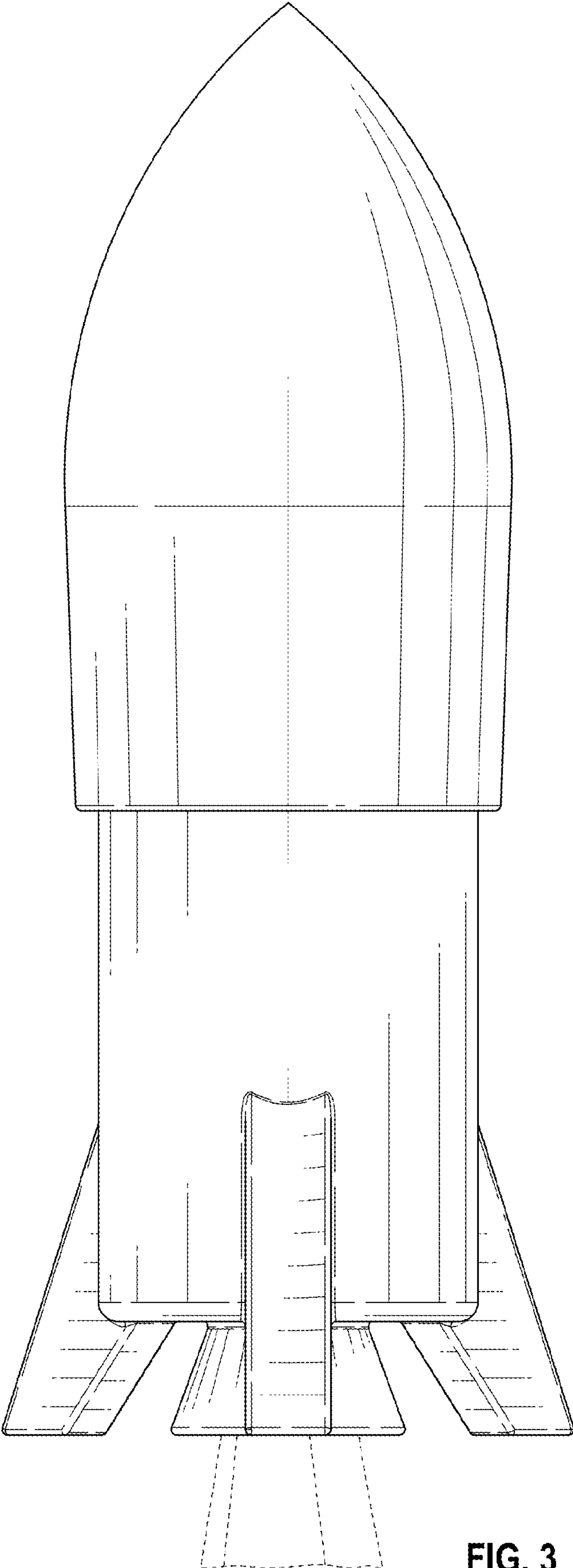


FIG. 3

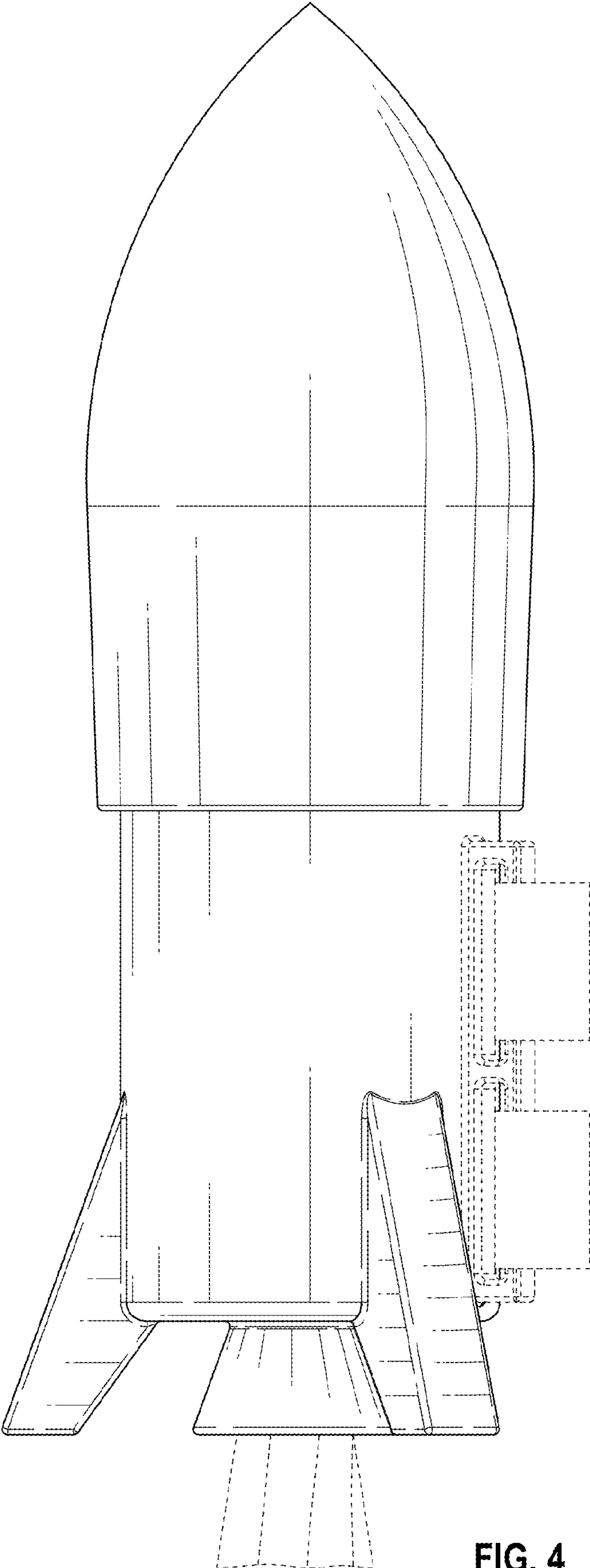


FIG. 4

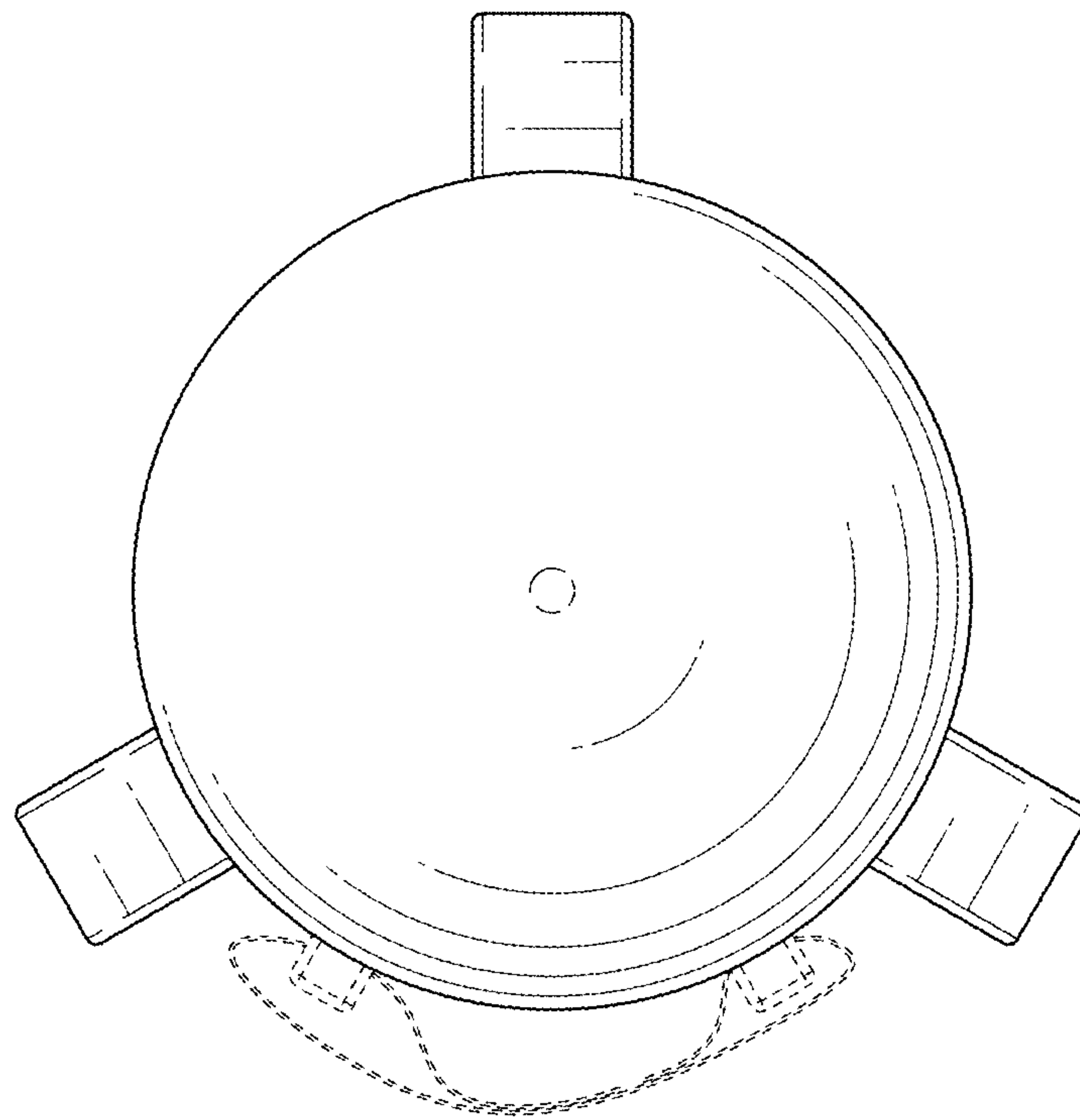


FIG. 5

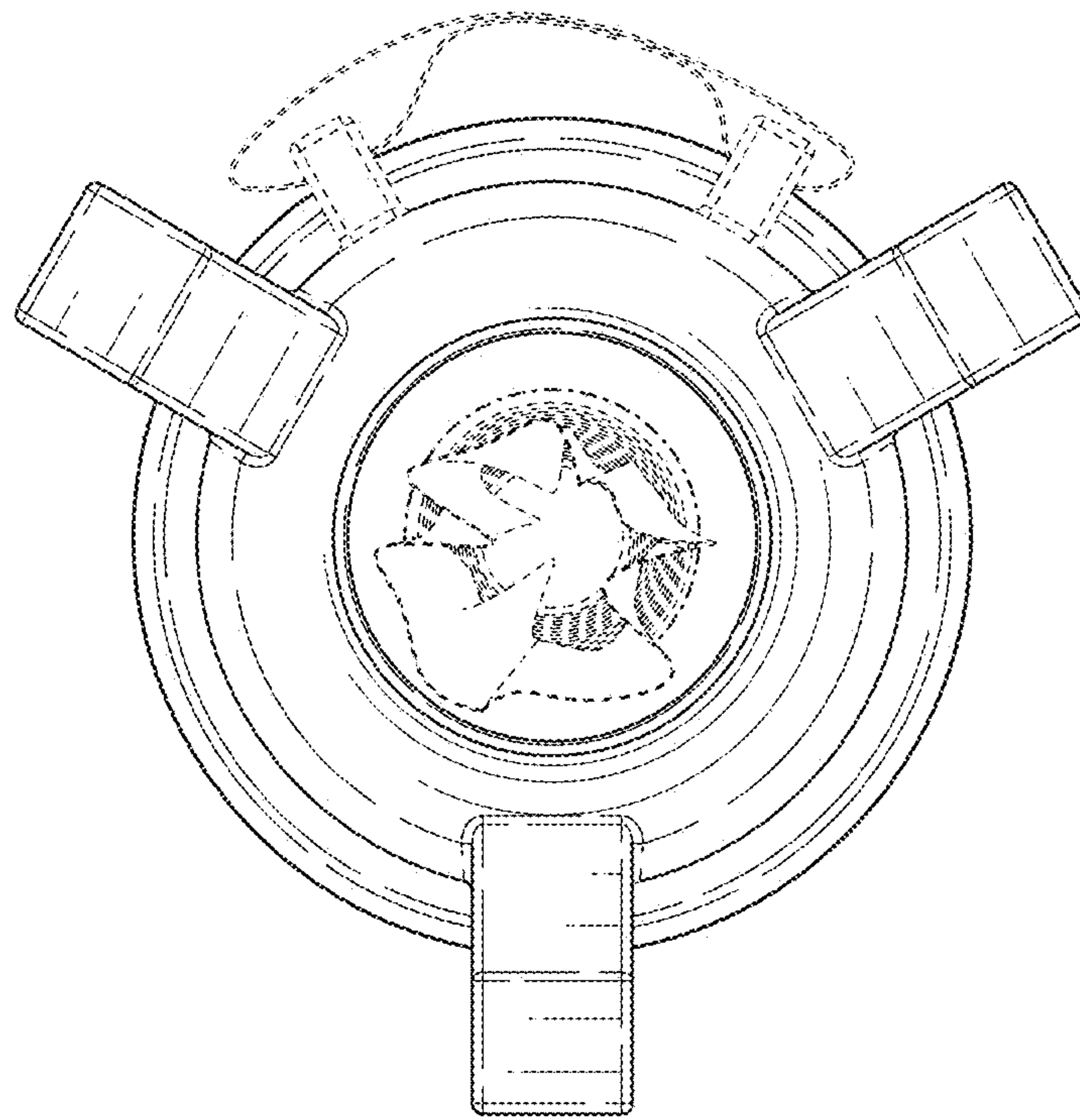


FIG. 6

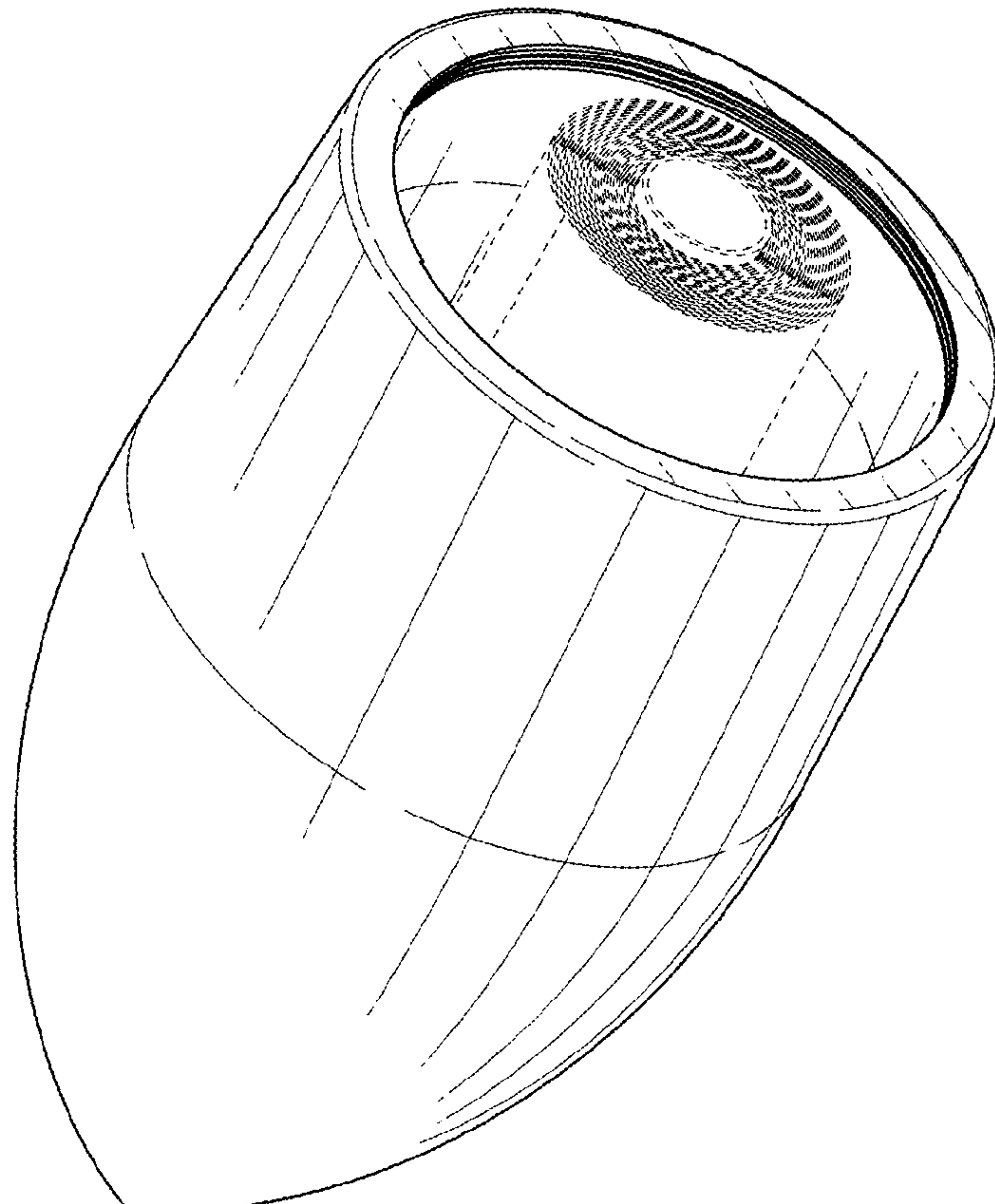
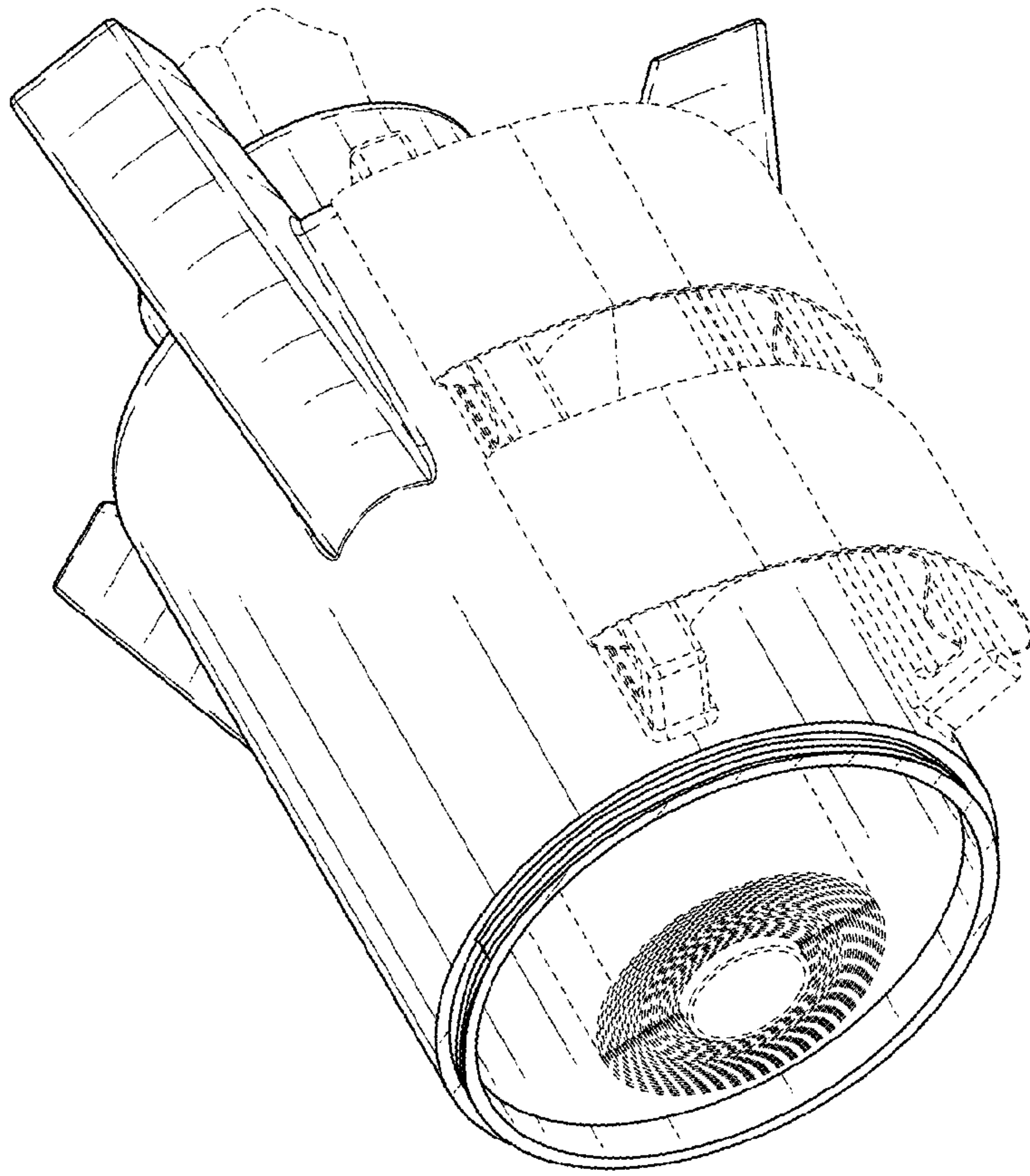


FIG. 7