



US0D1049549S

(12) **United States Design Patent** (10) **Patent No.:** **US D1,049,549 S**
Grays (45) **Date of Patent:** **** Nov. 5, 2024**

(54) **GLOVES**

(71) Applicant: **Eric Grays**, Chicago, IL (US)

(72) Inventor: **Eric Grays**, Chicago, IL (US)

(**) Term: **15 Years**

(21) Appl. No.: **29/776,199**

(22) Filed: **Mar. 29, 2021**

(51) **LOC (14) Cl.** **02-06**

(52) **U.S. Cl.**
USPC **D2/617**

(58) **Field of Classification Search**
USPC D2/617-623; D29/117.1, 117.2, 118,
D29/119, 120.1

CPC ... A63B 71/143; A63B 71/146; A63B 71/148;
A63B 71/141; A41D 19/00

See application file for complete search history.

(56) **References Cited**

U.S. PATENT DOCUMENTS

D581,102 S	*	11/2008	Falconer	D29/117.2
D802,847 S	*	11/2017	Munchel	D29/117.1
D812,845 S	*	3/2018	Vargo	D29/117.1
D876,748 S	*	3/2020	Khubani	D2/617
D902,497 S	*	11/2020	Piccoli	D29/117.2
D917,104 S	*	4/2021	Piccoli	D29/117.2
D937,496 S	*	11/2021	Farrar	D29/117.2
D976,524 S	*	1/2023	Mo	D2/617

2010/0222189	A1	9/2010	Washington	
2010/0257651	A1	10/2010	Anderson	
2022/0288444	A1*	9/2022	Grays A63B 71/141

OTHER PUBLICATIONS

Unitedushop, NoPain NoGain Weightlifting Gloves with 14" Wrist Wraps Support for Gym Workout, <https://unitedushop.com.wish.com>, Fitness Gloves Men's Powerlifting Bench Press Sling-shot Guards Elbow Braces Weightlifting Belts Squat Knee Pads with Power Booster Belt.
Mark Bell, Original Sling Shot, <https://markbellslingshot.com/>.
Playfulpeanut, Mitten Clips, Mitt Clips, Mitten Holders, Mitten Leash, Winter Mitten Clips, Mitten Savers, Glove Holders, Green and Blue Stripe, etsy.com.

* cited by examiner

Primary Examiner — Maria J. Edwards

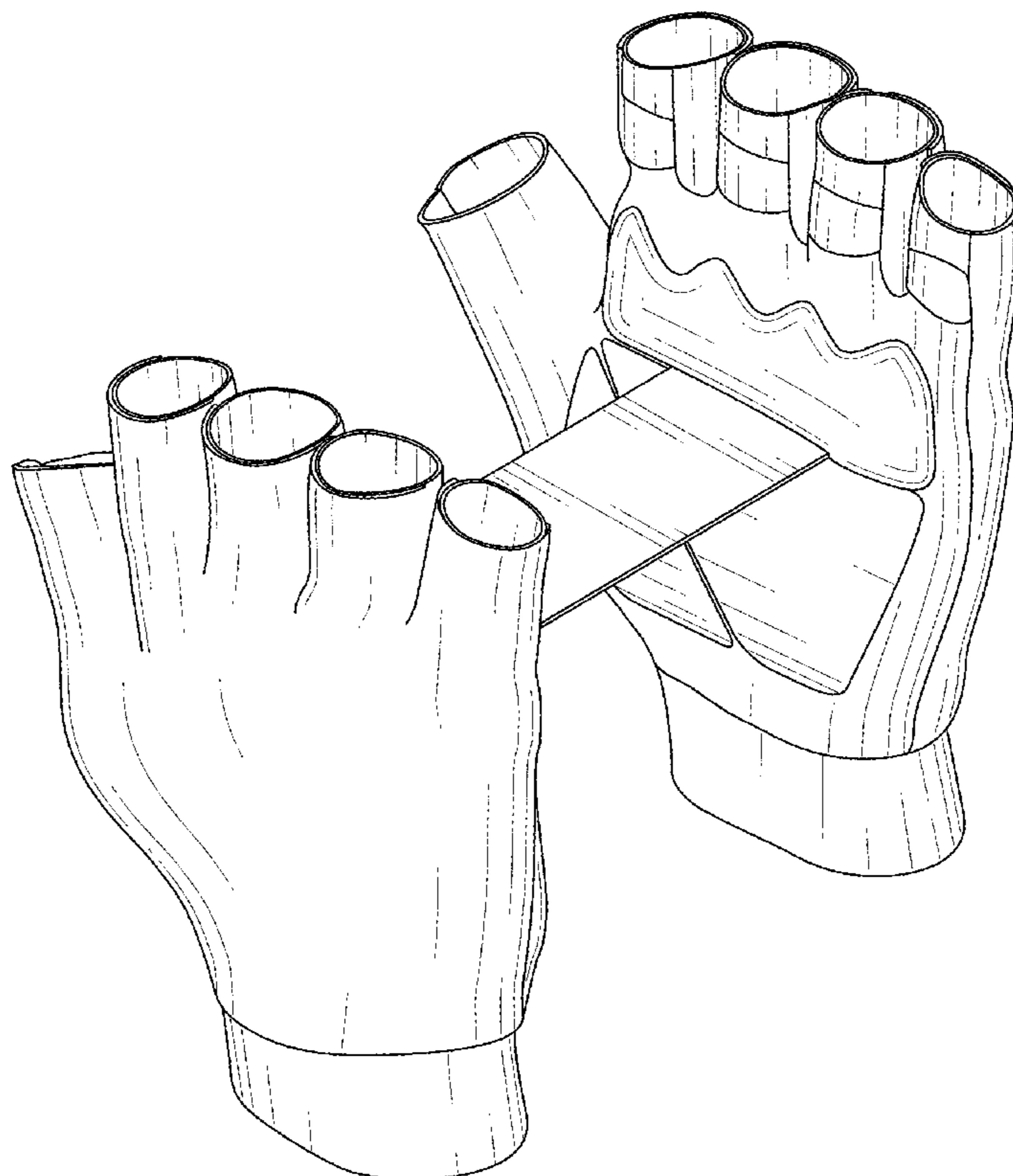
(57) **CLAIM**

The ornamental design for gloves, as shown and described.

DESCRIPTION

FIG. 1 is a right side elevational view of the gloves showing my new design;
FIG. 2 is a left side elevational view thereof;
FIG. 3 is a front elevational view thereof;
FIG. 4 is a rear elevational view thereof;
FIG. 5 is a top plan view thereof;
FIG. 6 is a bottom plan view thereof;
FIG. 7 is a rear top right perspective view thereof, with the rear top left perspective view being a mirror image; and,
FIG. 8 is a rear bottom left perspective view thereof, with the rear bottom right perspective view being a mirror image.

1 Claim, 8 Drawing Sheets



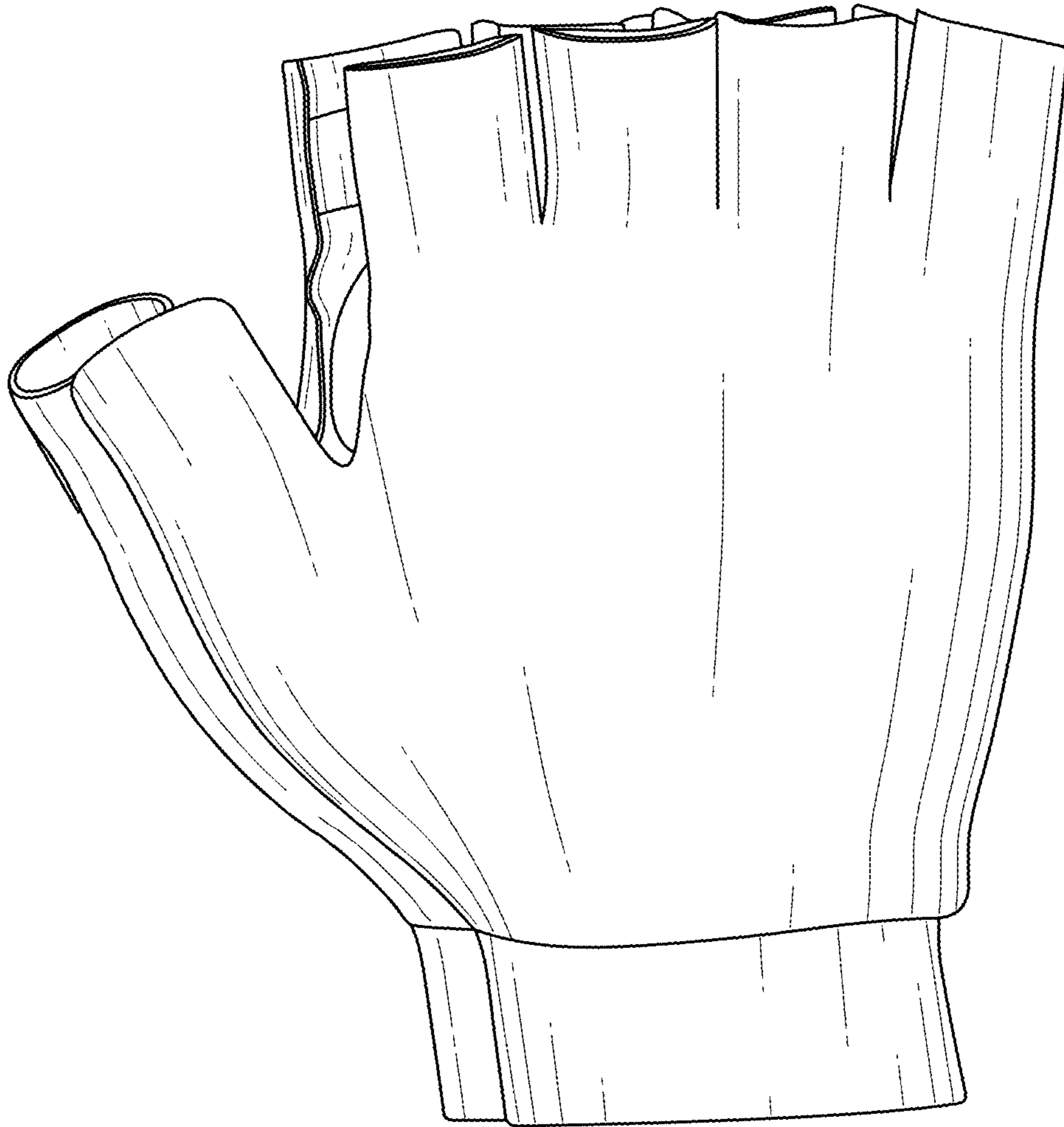


FIG. 1

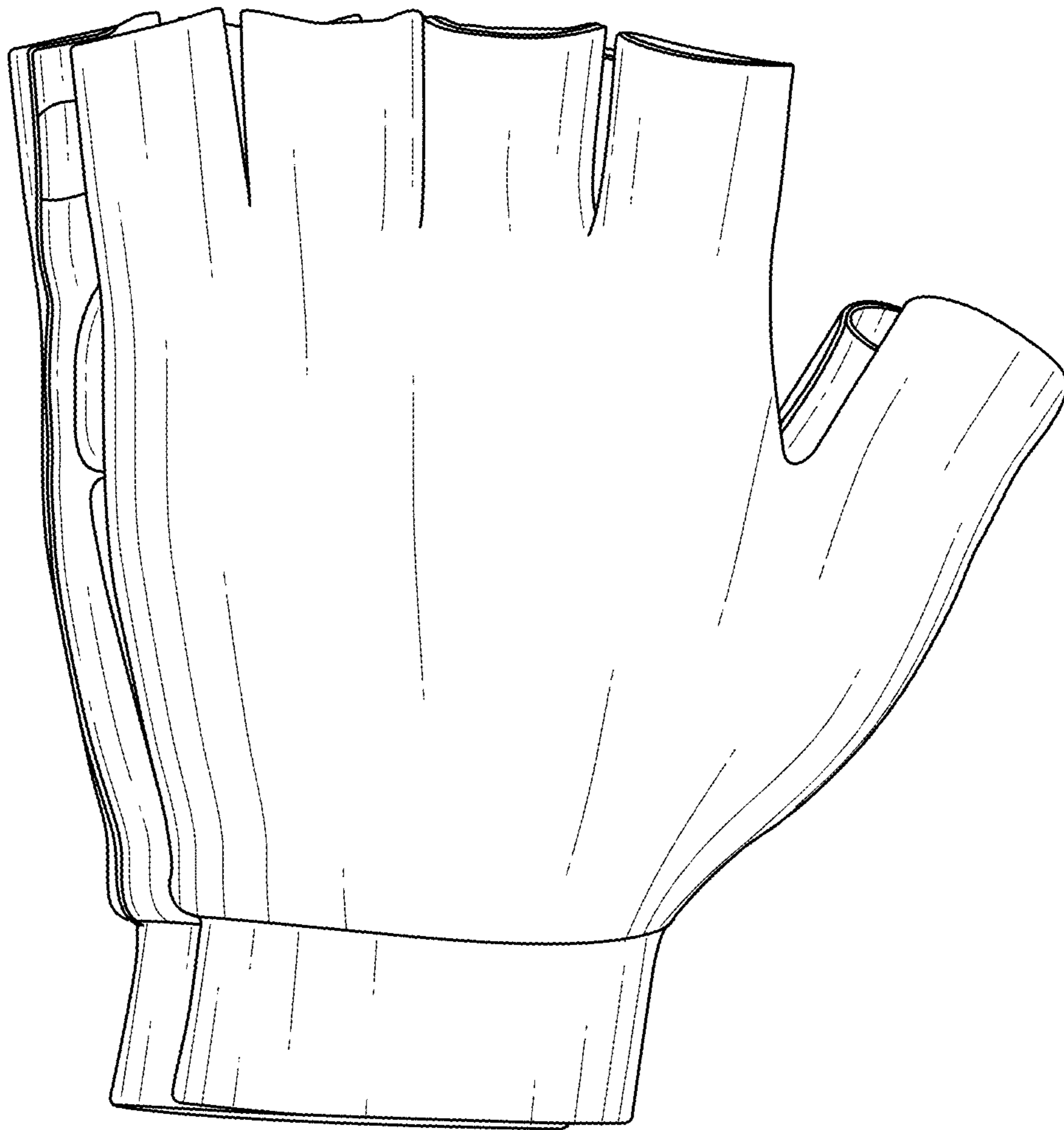


FIG. 2

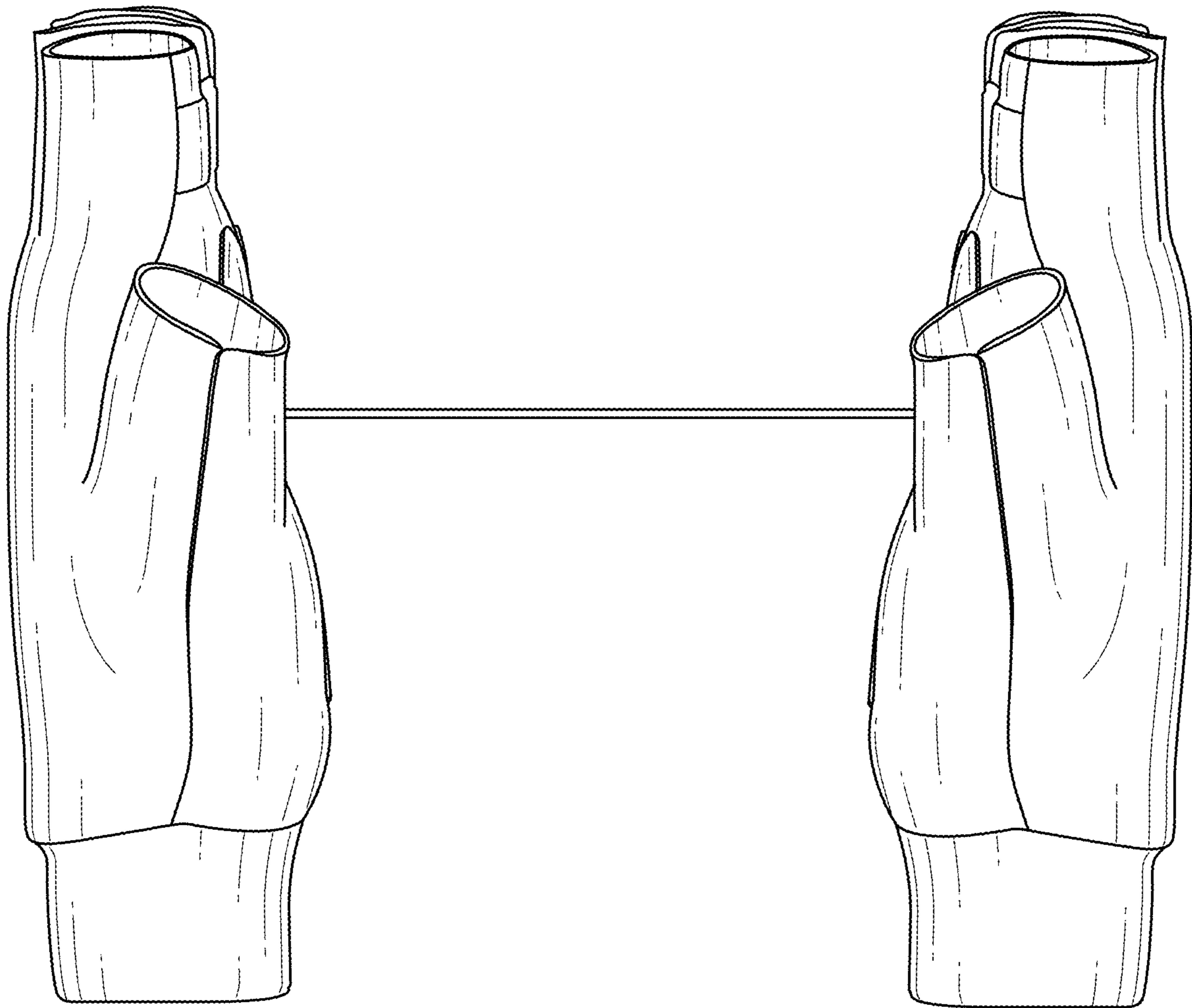


FIG. 3

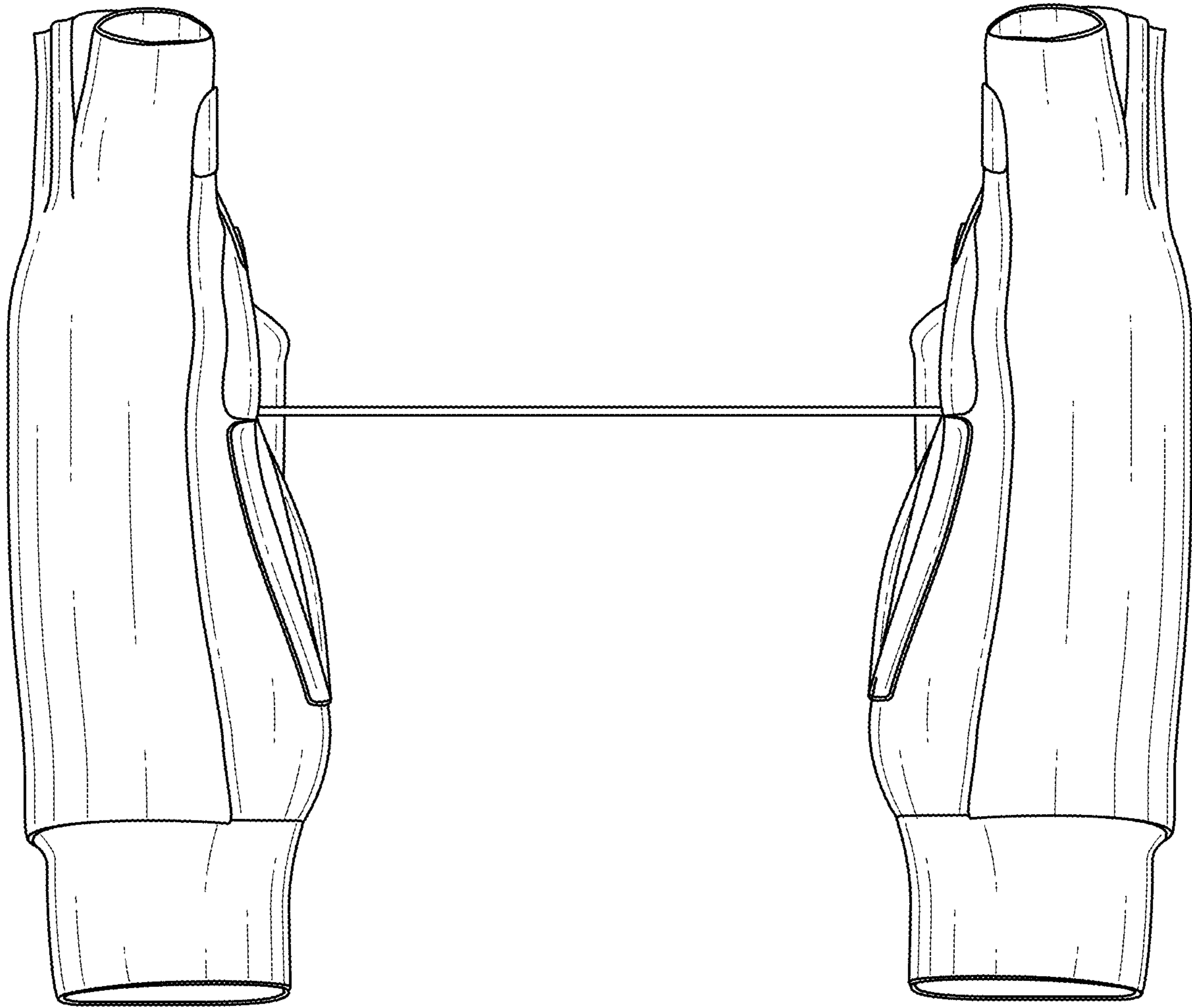


FIG. 4

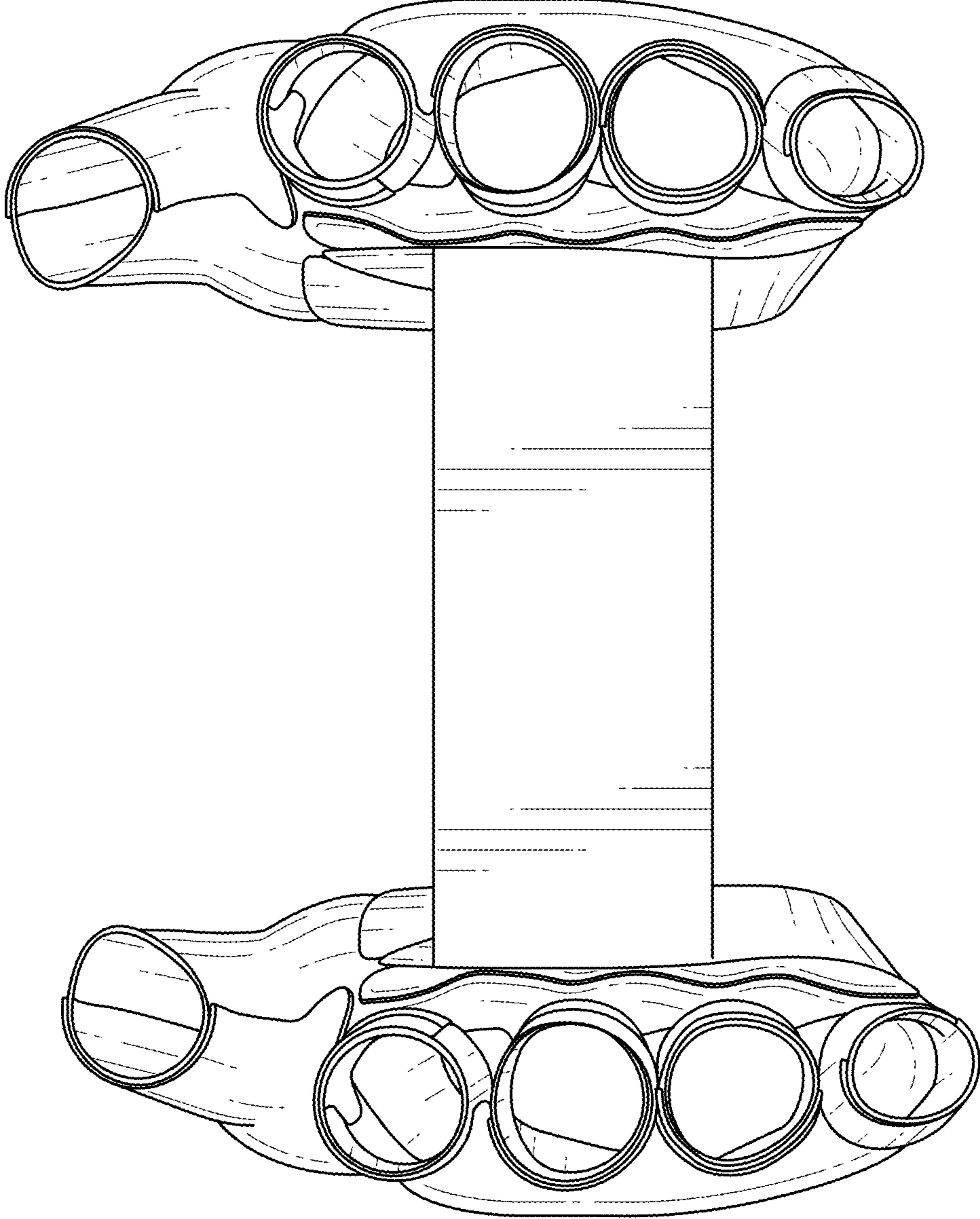


FIG. 5

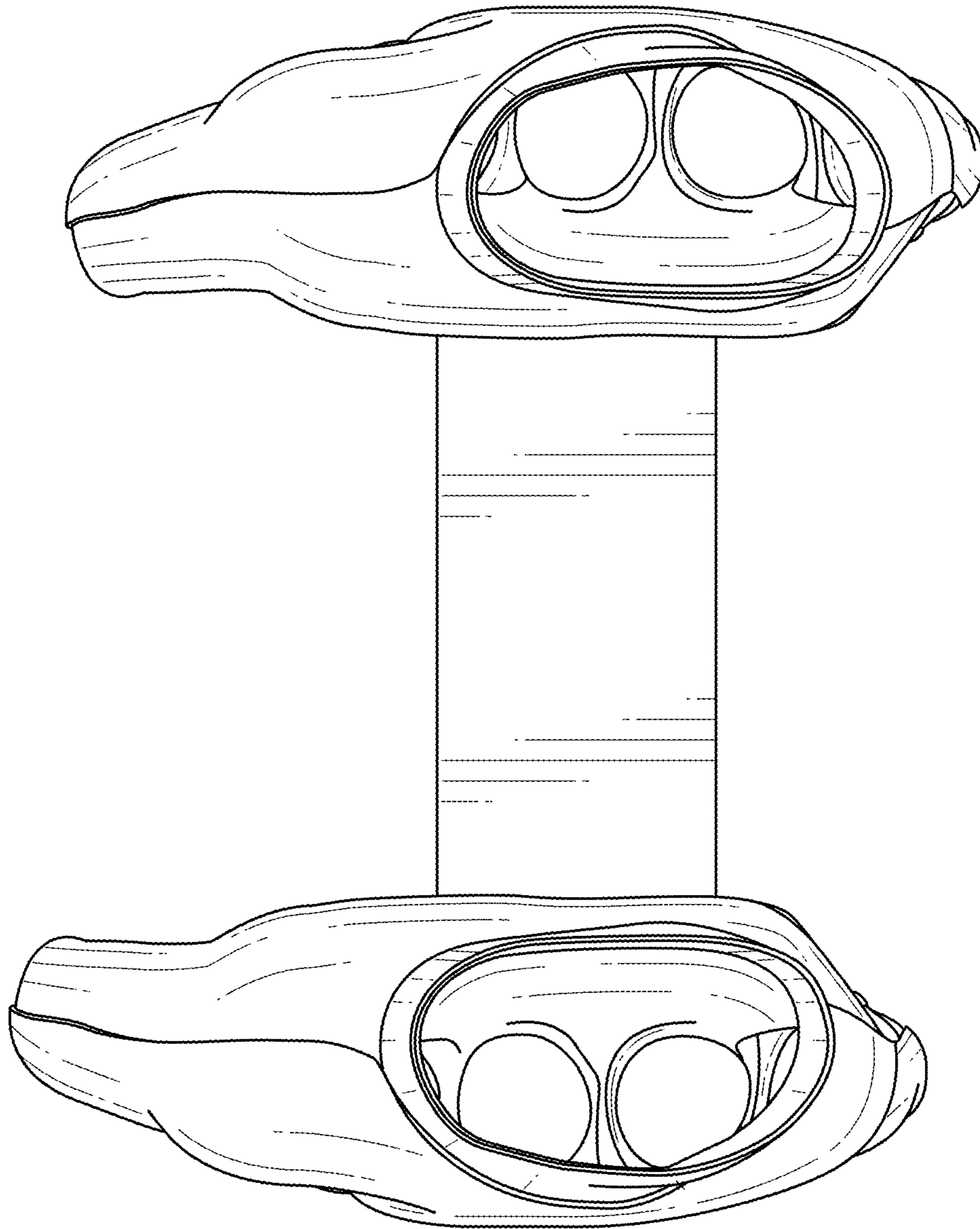


FIG. 6

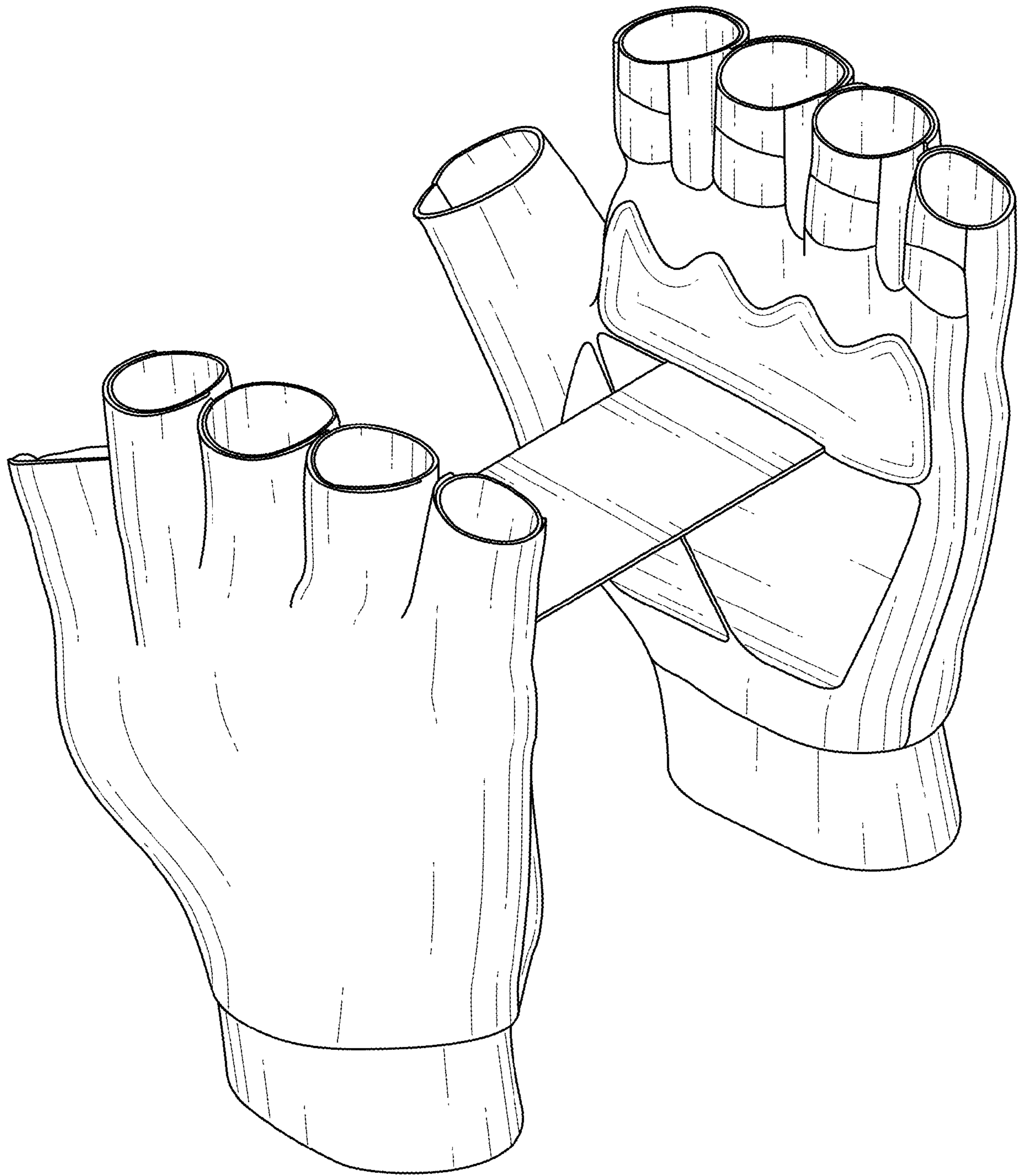


FIG. 7

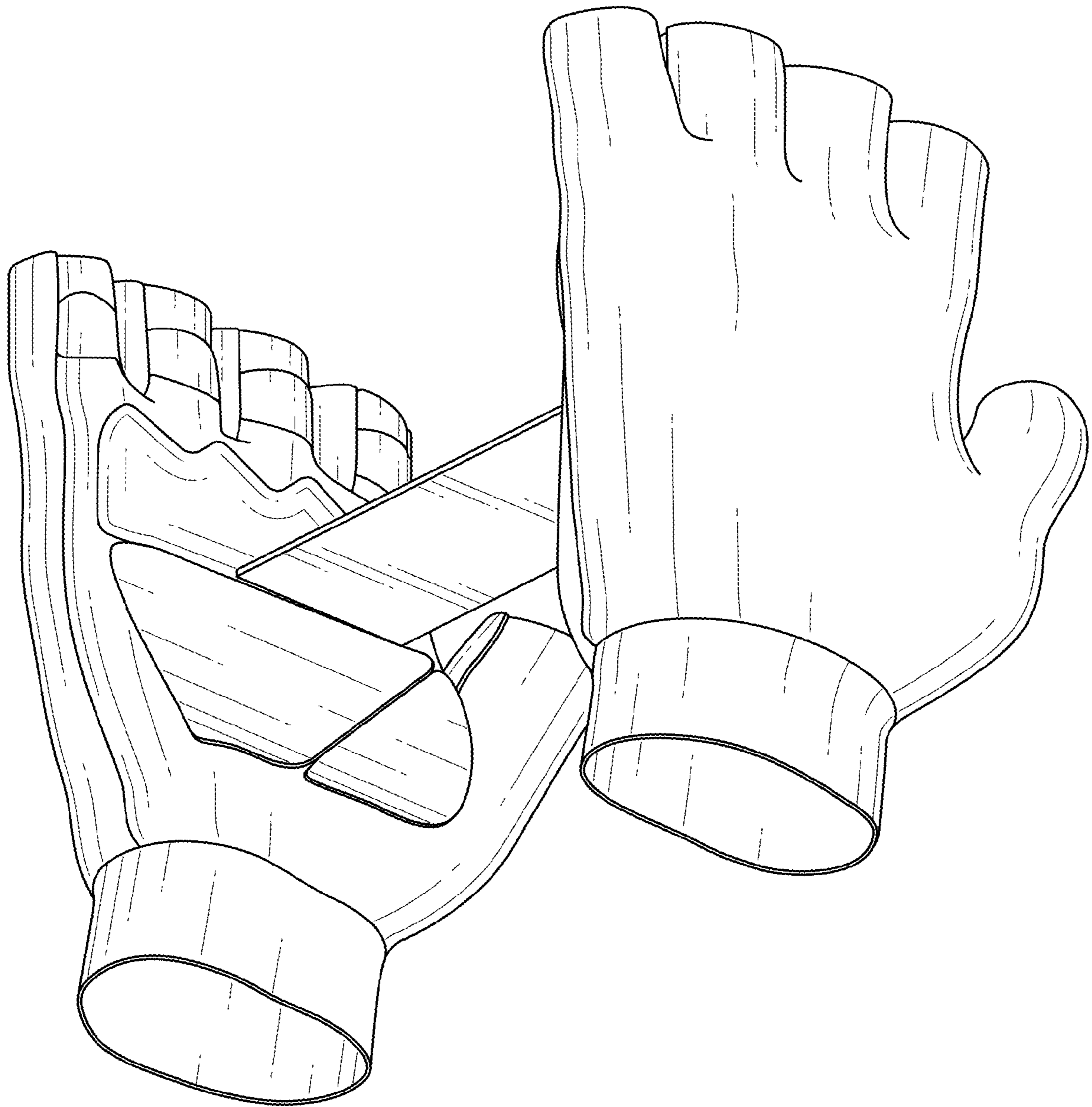


FIG. 8