



US0D1049510S

(12) **United States Design Patent** (10) **Patent No.:** **US D1,049,510 S**  
**Zhang** (45) **Date of Patent:** **\*\* Oct. 29, 2024**

(54) **PET CLOTHES**

(71) Applicant: **Ming Zhang**, Shandong (CN)

(72) Inventor: **Ming Zhang**, Shandong (CN)

(\*\*) Term: **15 Years**

(21) Appl. No.: **29/839,858**

(22) Filed: **May 24, 2022**

(51) **LOC (14) Cl.** ..... **30-01**

(52) **U.S. Cl.**

USPC ..... **D30/145; D2/828**

(58) **Field of Classification Search**

USPC ..... D30/144, 145, 151, 199; D24/188, 190;  
D2/828, 829, 830, 831, 833, 834

CPC ..... A01K 13/006

See application file for complete search history.

(56) **References Cited**

**U.S. PATENT DOCUMENTS**

D441,924 S *	5/2001	Mann	.....	D30/145
D455,537 S *	4/2002	Fyfe	.....	D2/829
D655,055 S *	2/2012	Toll	.....	D30/145
D758,676 S *	6/2016	Rollins	.....	D30/145
9,795,117 B1 *	10/2017	Grant	.....	A01K 13/006
D861,999 S *	10/2019	Yun	.....	D30/145
D931,576 S *	9/2021	Borgia	.....	D2/828
D952,960 S *	5/2022	Wang	.....	D30/145
D977,749 S *	2/2023	Kim	.....	D30/152
2010/0206247 A1 *	8/2010	Cheng	.....	A01K 13/006 119/850
2010/0313825 A1 *	12/2010	Friedland	.....	A01K 27/006 119/858
2011/0174237 A1 *	7/2011	Sanders-Luckman	.....	A01K 13/006 119/856
2014/0053790 A1 *	2/2014	Rumps	.....	A01K 13/006 119/850

**OTHER PUBLICATIONS**

“Gooby: Wind Parka”. Found online May 30, 2024 at amazon.com. Reference dated Sep. 21, 2012. Retrieved from <https://www.amazon.com/Gooby-Wind-Parka-Dogs-Small/dp/B009757GJC?th=1>.\*

“Norbi: Winter Vest w-Integrated Harness”. Found online Jan. 6, 2024 at amazon.com. Reference dated Sep. 28, 2019. Retrieved from <https://www.amazon.com/dp/B07YHG8G1X/>.\*

“Gooby: Alpine Explorer Jacket w-Straps”. Found online May 30, 2024 at amazon.com. Reference dated Nov. 28, 2023. Retrieved from <https://www.amazon.com/Gooby-Alpine-Explorer-Waterproof-Converter/dp/B0CTQYXS3J?th=1>.\*

“Selmai: Hooded Vest”. Found online Aug. 23, 2019 at amazon.com. Reference dated Feb. 7, 2017. Retrieved from <https://www.amazon.com/SELMAI-Fleece-Hoodie-Chihuahua-Clothes/dp/B01NBJXS4B/>.\*

\* cited by examiner

*Primary Examiner* — Kendra Leslie Hamilton

(57) **CLAIM**

The ornamental design for a pet clothes, as shown and described.

**DESCRIPTION**

FIG. 1 is a top perspective view of a pet clothes design showing my new design.

FIG. 2 is a front view of the pet clothes.

FIG. 3 is a rear view of the pet clothes.

FIG. 4 is a left view of the pet clothes.

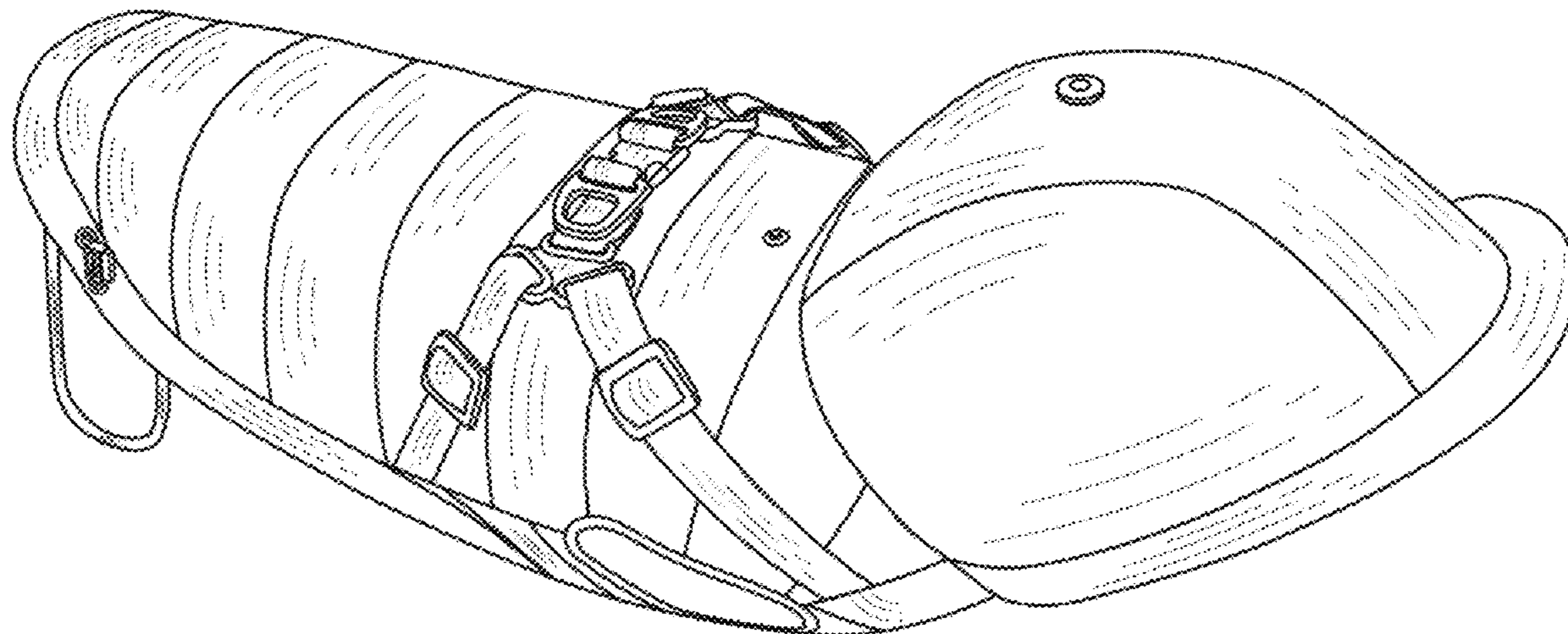
FIG. 5 is a right view of the pet clothes.

FIG. 6 is a top view of the pet clothes; and,

FIG. 7 is a bottom view of the pet clothes.

Any shading is not feature of the design but are utilized to illustrate the surface contours of the pet clothes design in the drawings.

**1 Claim, 7 Drawing Sheets**



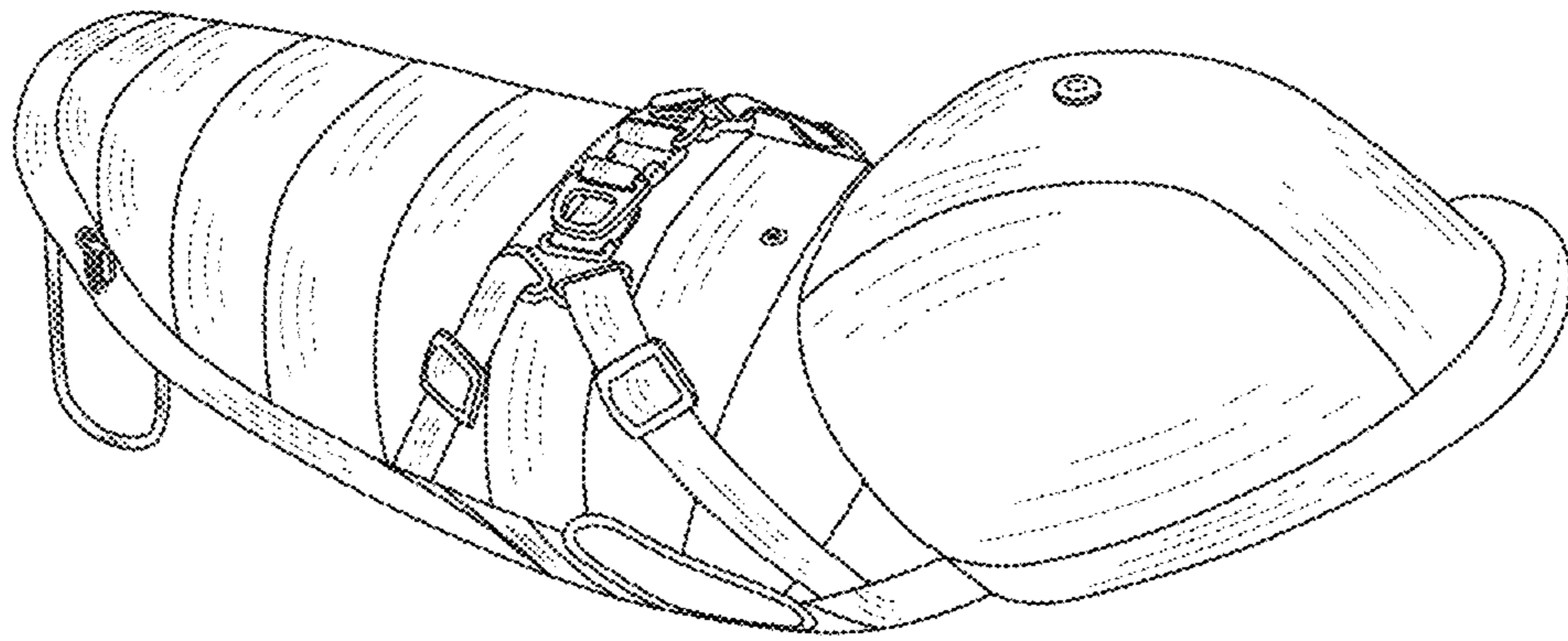


FIG. 1

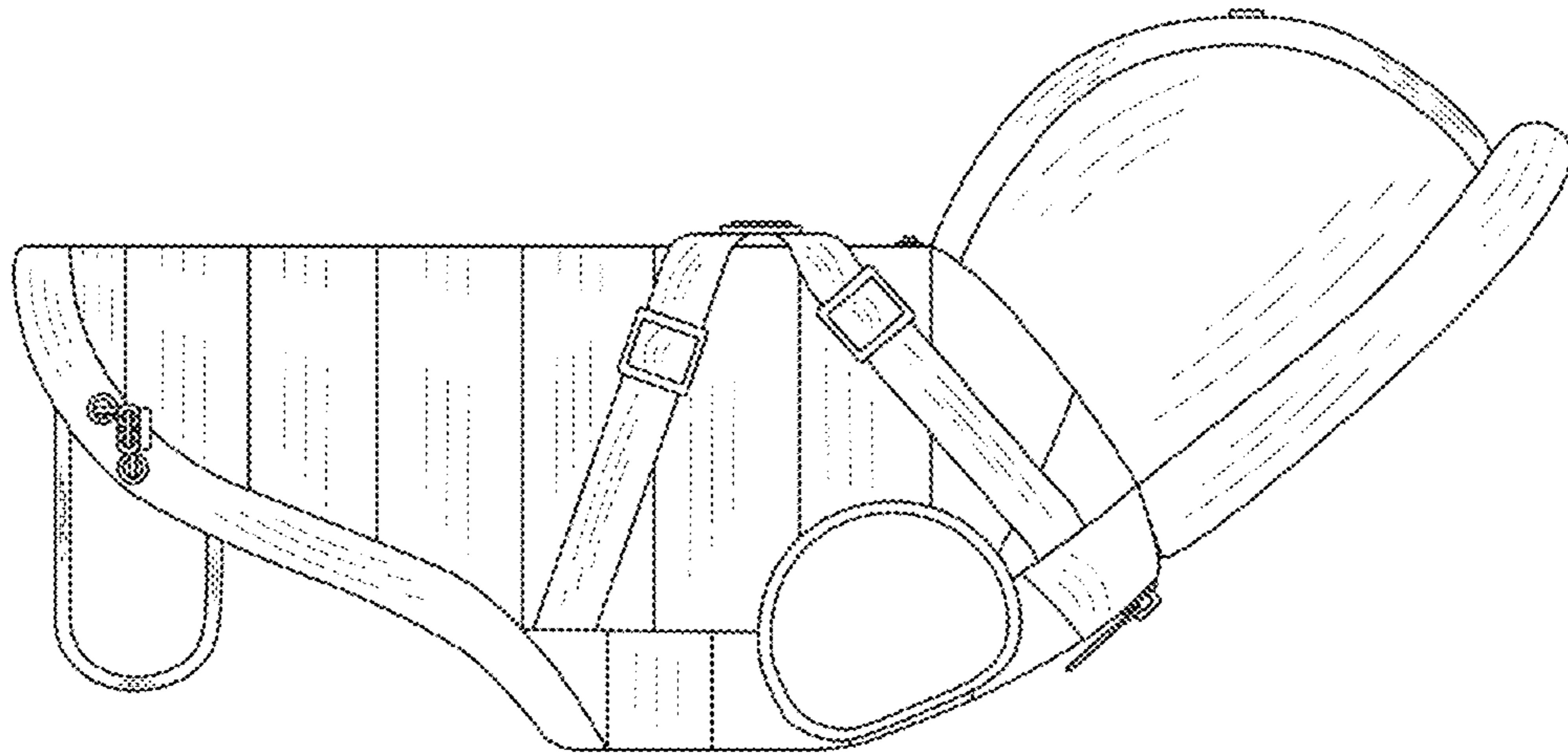


FIG. 2

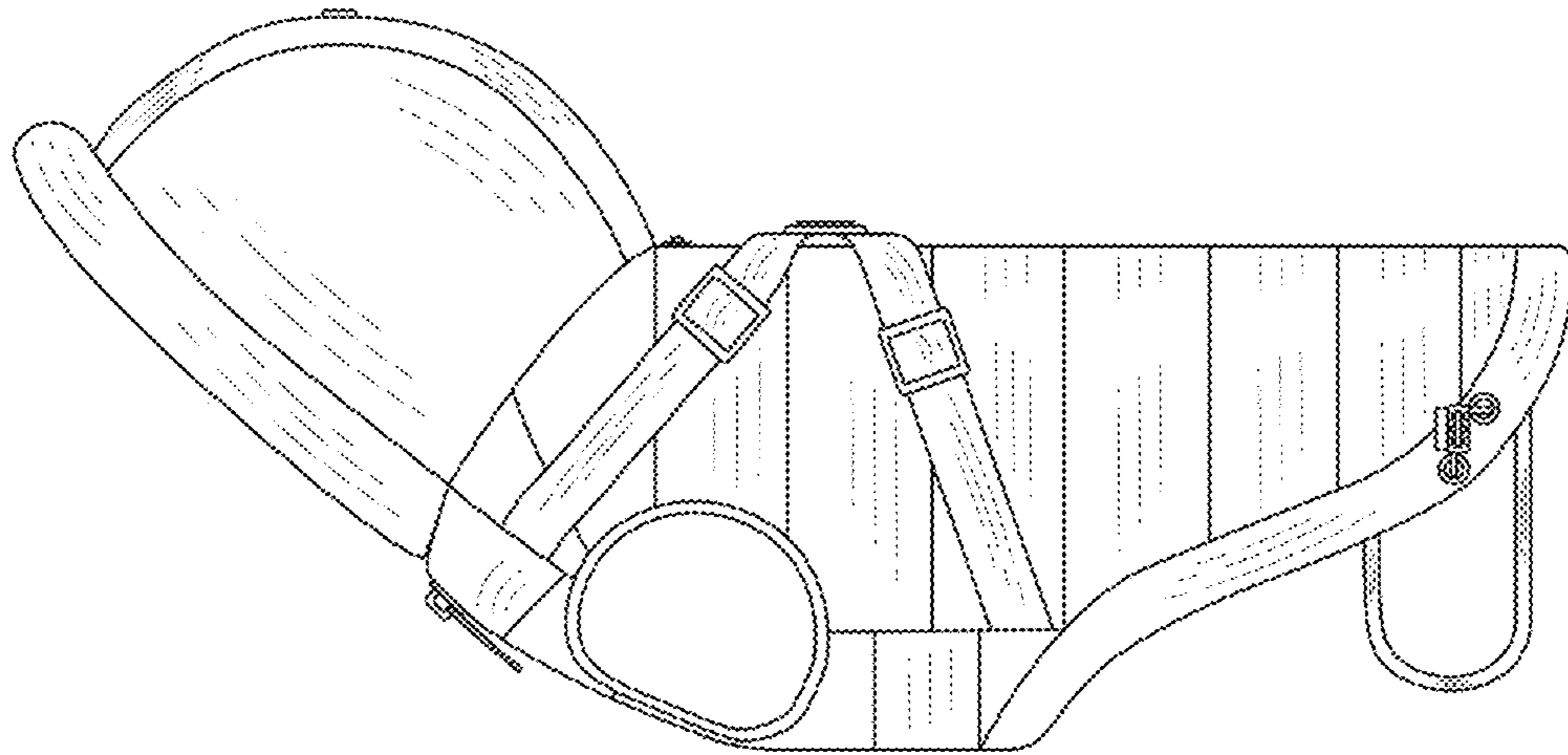


FIG. 3

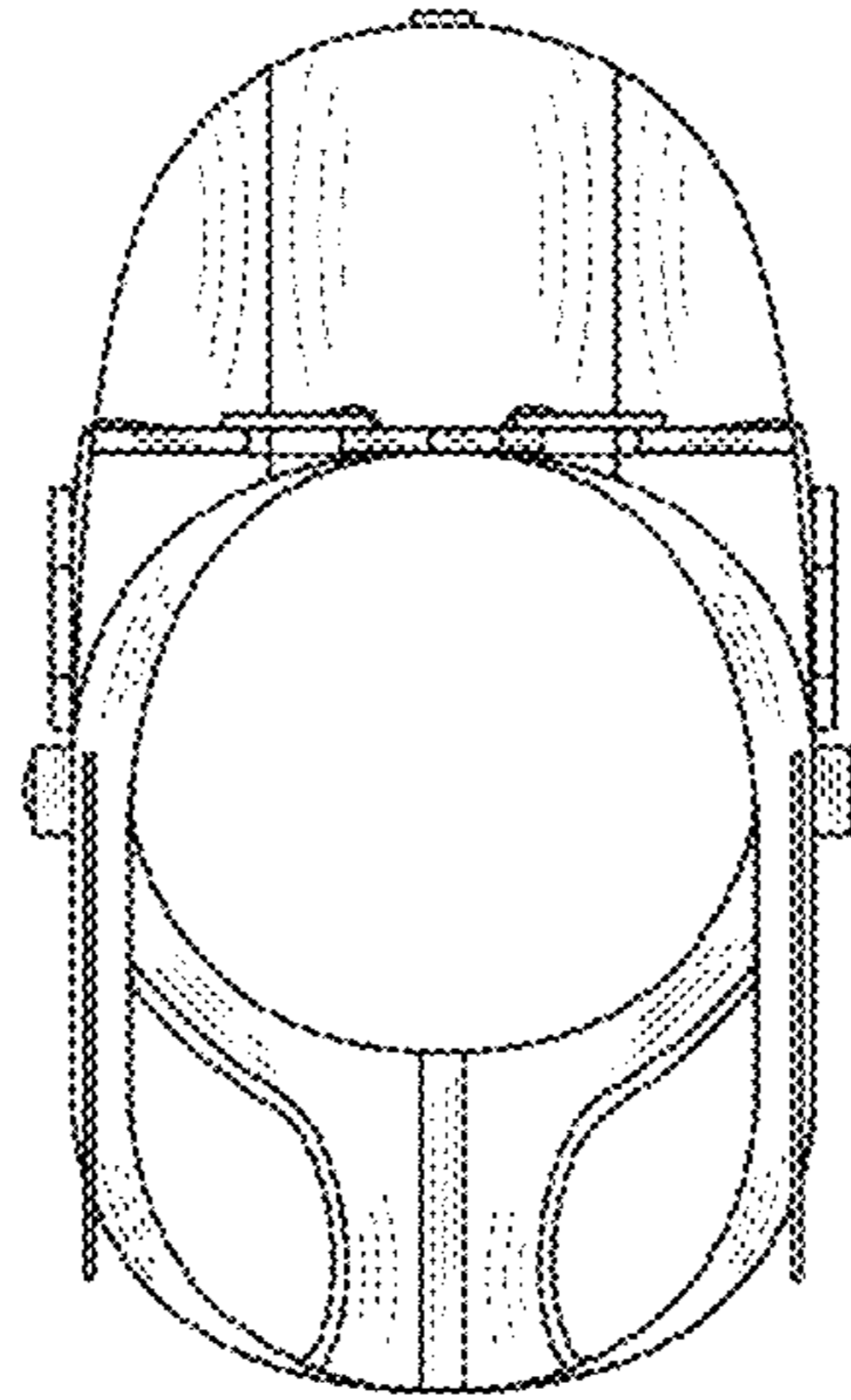


FIG. 4

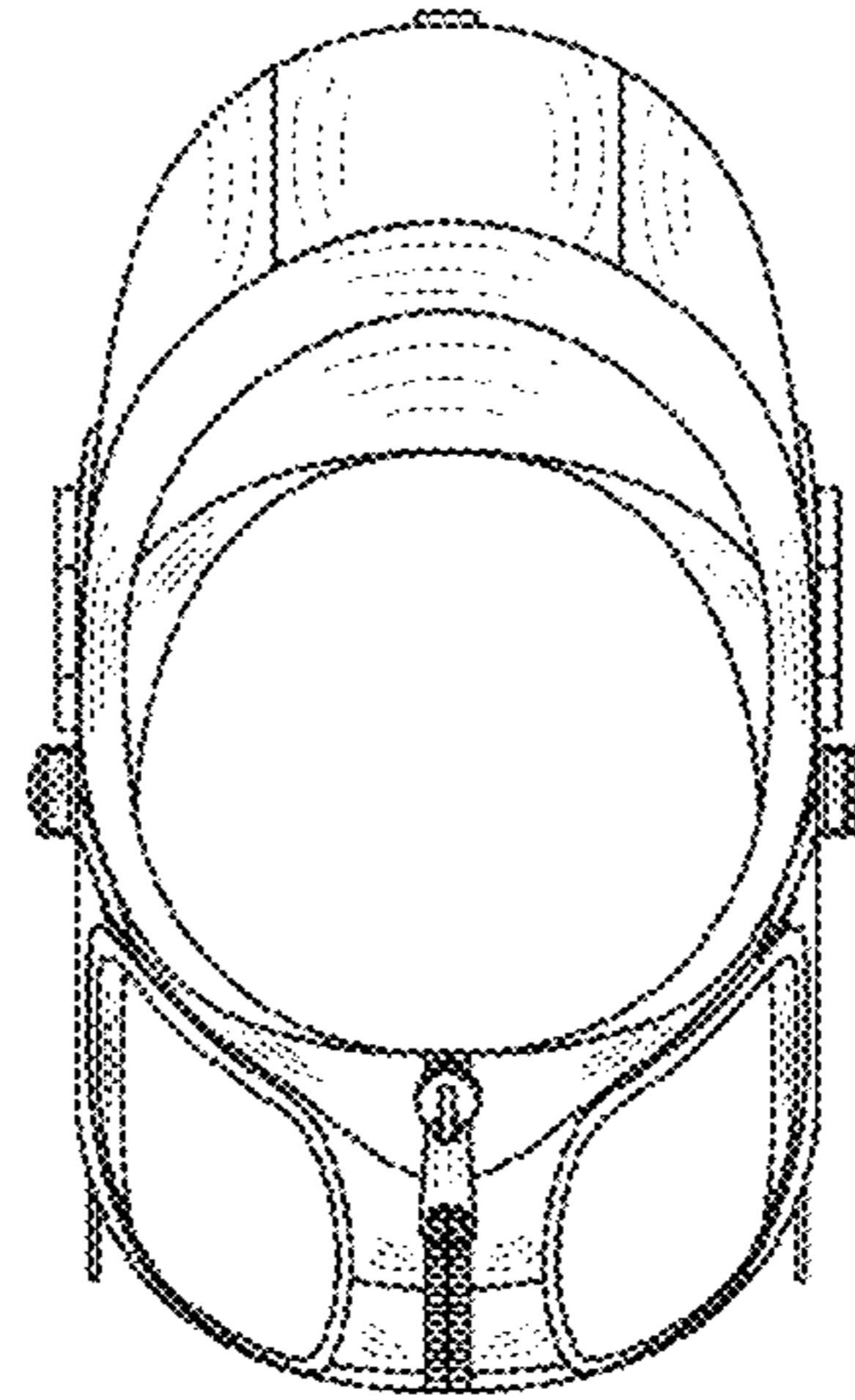


FIG. 5

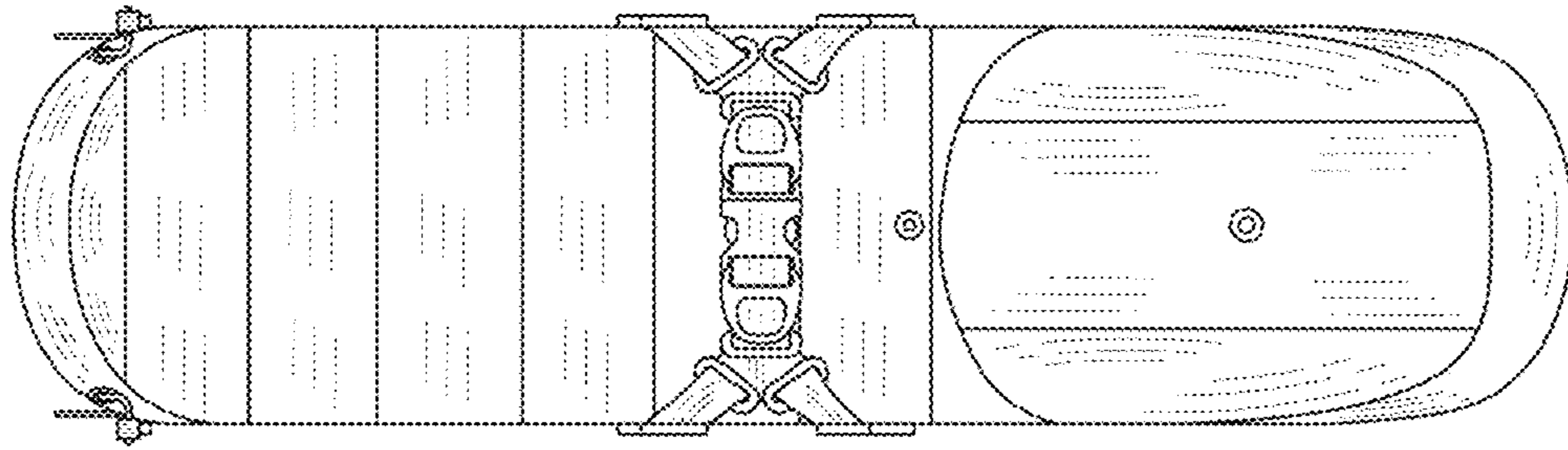


FIG. 6

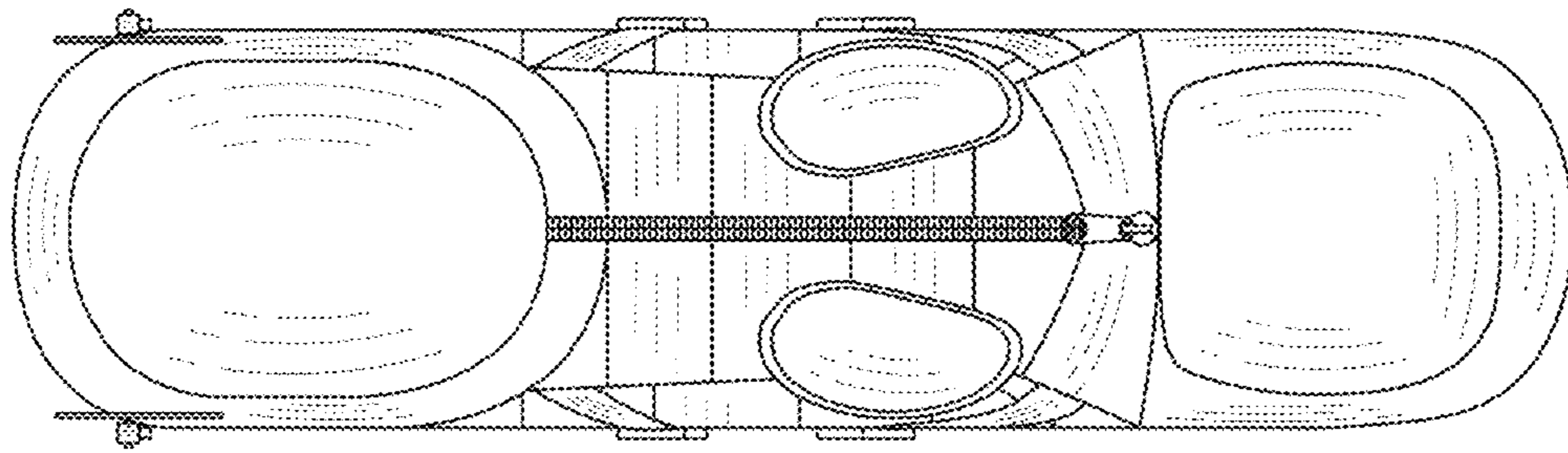


FIG. 7