



US0D1049507S

(12) **United States Design Patent** (10) **Patent No.:** **US D1,049,507 S**
Li (45) **Date of Patent:** **** Oct. 29, 2024**

(54) **BIRD FEEDER**
(71) Applicant: **Zhixian Li**, Donggang (CN)
(72) Inventor: **Zhixian Li**, Donggang (CN)
(**) Term: **15 Years**
(21) Appl. No.: **29/873,185**
(22) Filed: **Mar. 27, 2023**
(51) **LOC (14) Cl.** **30-03**
(52) **U.S. Cl.**
USPC **D30/125; D30/124**
(58) **Field of Classification Search**
USPC D6/539, 547, 557; D7/505, 506, 514,
D7/515, 518; D9/661; D11/1, 2, 3, 14,
D11/26, 29, 30, 31, 33; D30/111, 112,
D30/115, 121, 122, 124, 125, 127, 128,
D30/129, 130, 131, 132, 133
CPC A01K 39/00; A01K 39/0206; A01K 39/01;
A01K 39/012; A01K 39/04; A01K
39/026; A01K 31/12
See application file for complete search history.

D698,100 S * 1/2014 Muhr D30/124
D698,102 S * 1/2014 Muhr D30/124
D698,103 S * 1/2014 Muhr D30/124
D698,501 S * 1/2014 Muhr D30/124
D713,754 S * 9/2014 Pasquetti D11/33
D721,208 S * 1/2015 Chen D30/124
D789,621 S * 6/2017 Nifong D30/124
D807,773 S * 1/2018 Bonner D11/26

(Continued)

FOREIGN PATENT DOCUMENTS

CN 308126373 * 7/2023
WO D230308-004 * 7/2023

OTHER PUBLICATIONS

Zummr-Hummingbird-Ring-Feeder-Red, posted Jan. 24, 2018 [online],
[retrieved Aug. 29, 2024]. Retrieved from internet,https://tinyurl.
com/yjrkztkz (Year: 2018).*

(Continued)

Primary Examiner — Mehri F Bajoul
Assistant Examiner — Darrelle A Centuori
(74) *Attorney, Agent, or Firm* — Jeenam Park

(56) **References Cited**

U.S. PATENT DOCUMENTS

D322,587 S * 12/1991 Corbin D11/29
D386,285 S * 11/1997 Ahn D1/127
5,806,460 A * 9/1998 Klein A01K 39/02
119/72
D404,335 S * 1/1999 Perrin D11/29
D408,947 S * 4/1999 Mandell D30/124
D416,813 S * 11/1999 Wright D10/31
6,012,414 A * 1/2000 Klein A01K 39/0113
119/72
D427,379 S * 6/2000 Thorpe D28/79
D494,883 S * 8/2004 Pachachi D11/33
D683,912 S * 6/2013 Muhr D30/124
8,539,910 B1 * 9/2013 Hensley A01K 39/0206
119/72
D698,098 S * 1/2014 Muhr D30/124
D698,099 S * 1/2014 Muhr D30/127

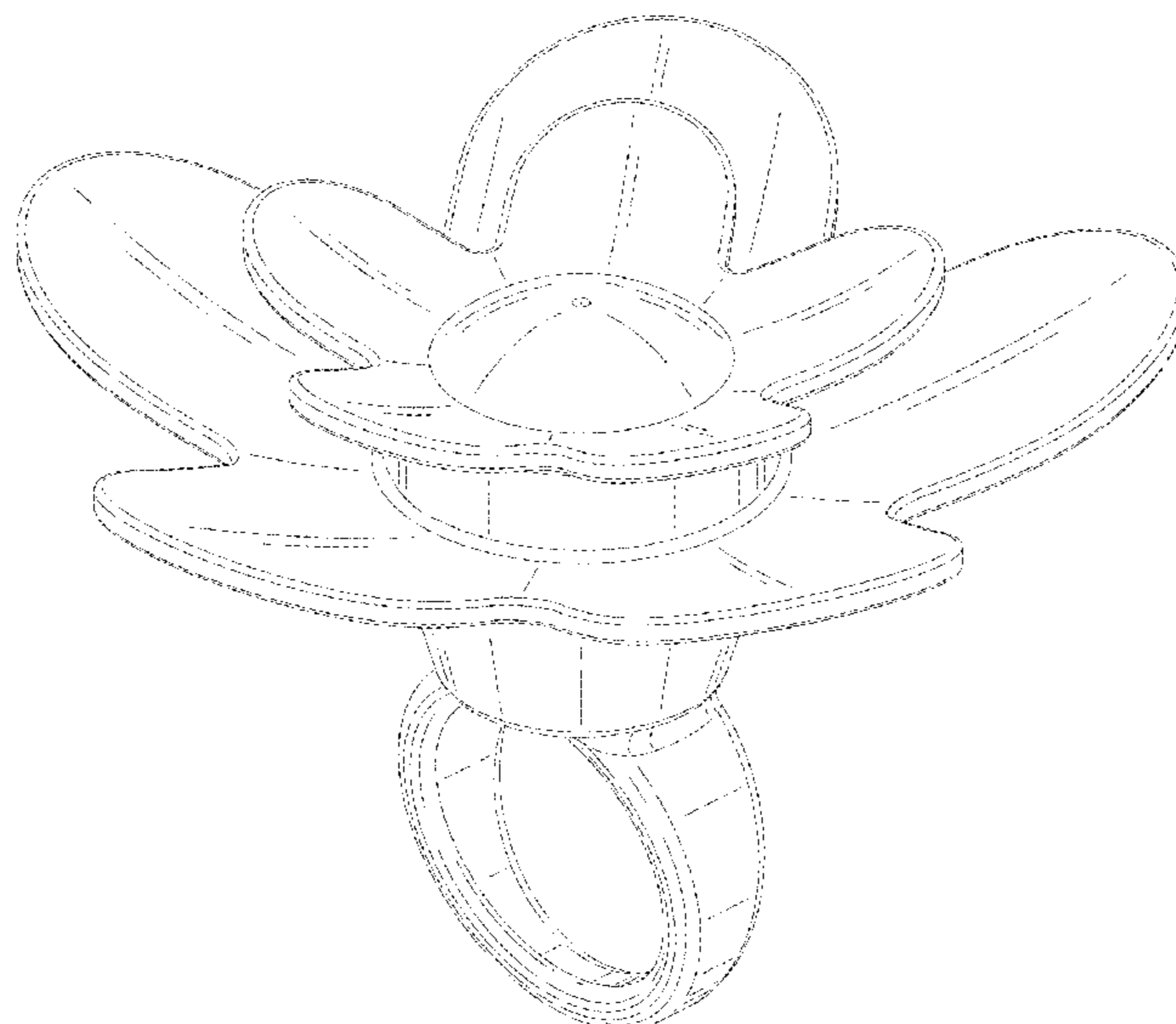
(57) **CLAIM**

The ornamental design for a bird feeder, as shown and described.

DESCRIPTION

FIG. 1 is a front, right and top perspective view of a bird feeder, showing my new design;
FIG. 2 is a rear, left and bottom perspective view thereof;
FIG. 3 is a front view thereof;
FIG. 4 is a rear view thereof;
FIG. 5 is a right side view thereof;
FIG. 6 is a left side view thereof;
FIG. 7 is a top plan view thereof; and,
FIG. 8 is a bottom plan view thereof.

1 Claim, 8 Drawing Sheets



(56)

References Cited

U.S. PATENT DOCUMENTS

D813,466 S * 3/2018 Tang D30/124
 D819,895 S * 6/2018 Smith D30/125
 10,321,666 B2 * 6/2019 Henehan A45F 5/10
 D911,203 S * 2/2021 Bicego D11/1
 D935,550 S * 11/2021 Wang D23/201
 D951,800 S * 5/2022 Brown D11/33
 2008/0087225 A1 * 4/2008 Lin A01K 39/02
 119/72
 2009/0255476 A1 * 10/2009 Colvin A01K 39/0206
 119/72
 2009/0308321 A1 * 12/2009 Szczygiel-Durante
 A01K 39/02
 119/72
 2009/0320765 A1 * 12/2009 Gauker A01K 39/0206
 119/75
 2010/0192866 A1 * 8/2010 McMullen A01K 39/026
 119/77
 2011/0094449 A1 * 4/2011 George A01K 39/0206
 119/61.1

2014/0109836 A1 * 4/2014 Gauker A01K 39/0206
 119/75
 2016/0007574 A1 * 1/2016 Lipford G06Q 30/0603
 119/72
 2016/0128308 A1 * 5/2016 Lipford A01K 39/02
 119/72
 2018/0228132 A1 * 8/2018 Henehan A45F 5/10
 2019/0075761 A1 * 3/2019 Creed A42B 3/22
 2021/0204526 A1 * 7/2021 Jenkins A01K 53/00
 2023/0189764 A1 * 6/2023 Shen A01K 39/0206
 119/72

OTHER PUBLICATIONS

Hummingbird-Feeding-Hummingbirds-Handheld, posted Jan. 19, 2023 [online], [retrieved Aug. 29, 2024]. Retrieved from internet, <https://tinyurl.com/2s4h75df> (Year: 2023).*

Hummingbird Feeder Ring, Hummingbird Feeders for Outdoors, posted Jun. 17, 2021 [online], [retrieved Aug. 29, 2024]. Retrieved from internet, <https://www.amazon.ca/Hummingbird-Feeders-Outdoors-Backyard-Decorative/dp/B094VJD6C6> (Year: 2021).*

* cited by examiner

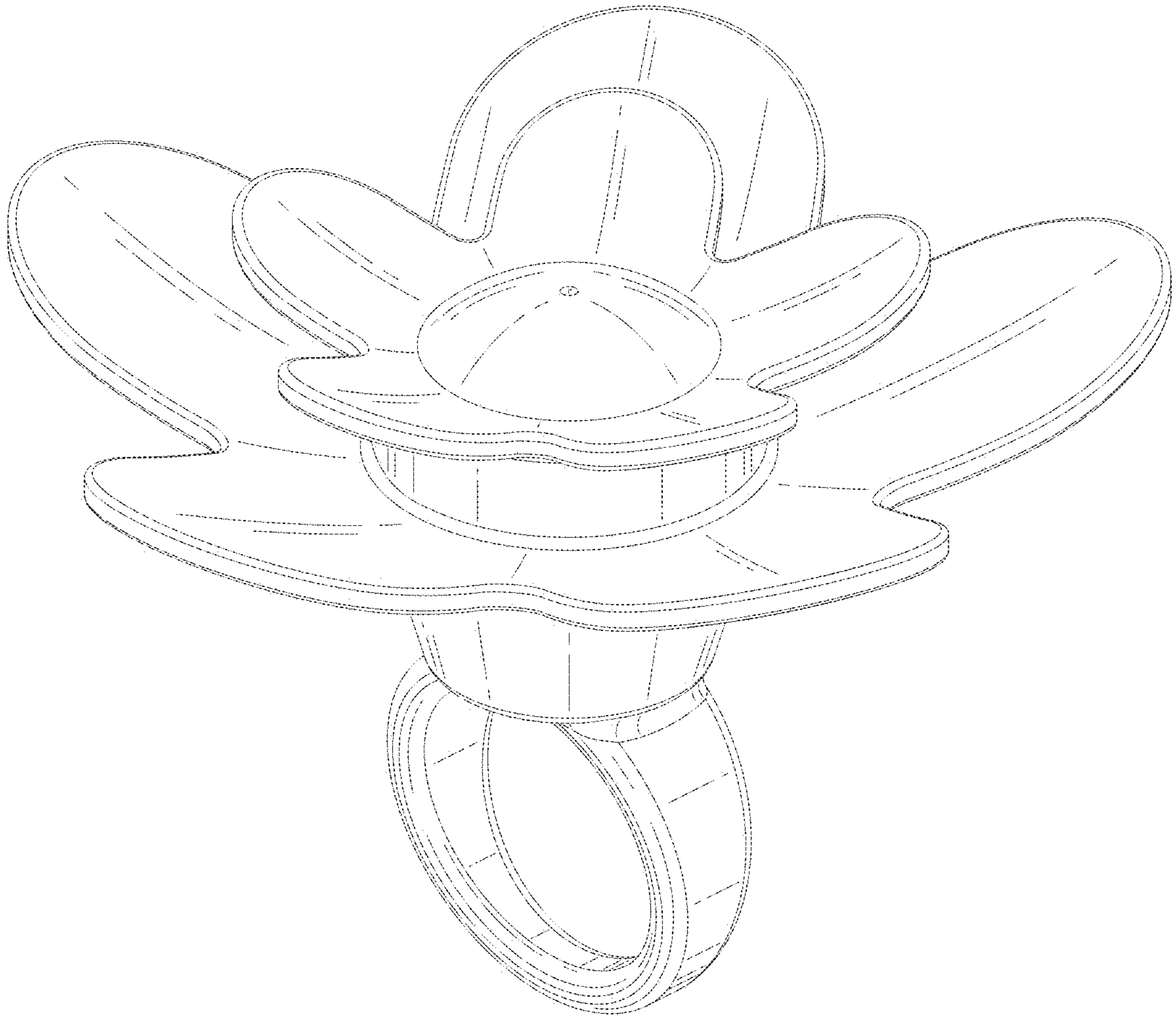


FIG. 1

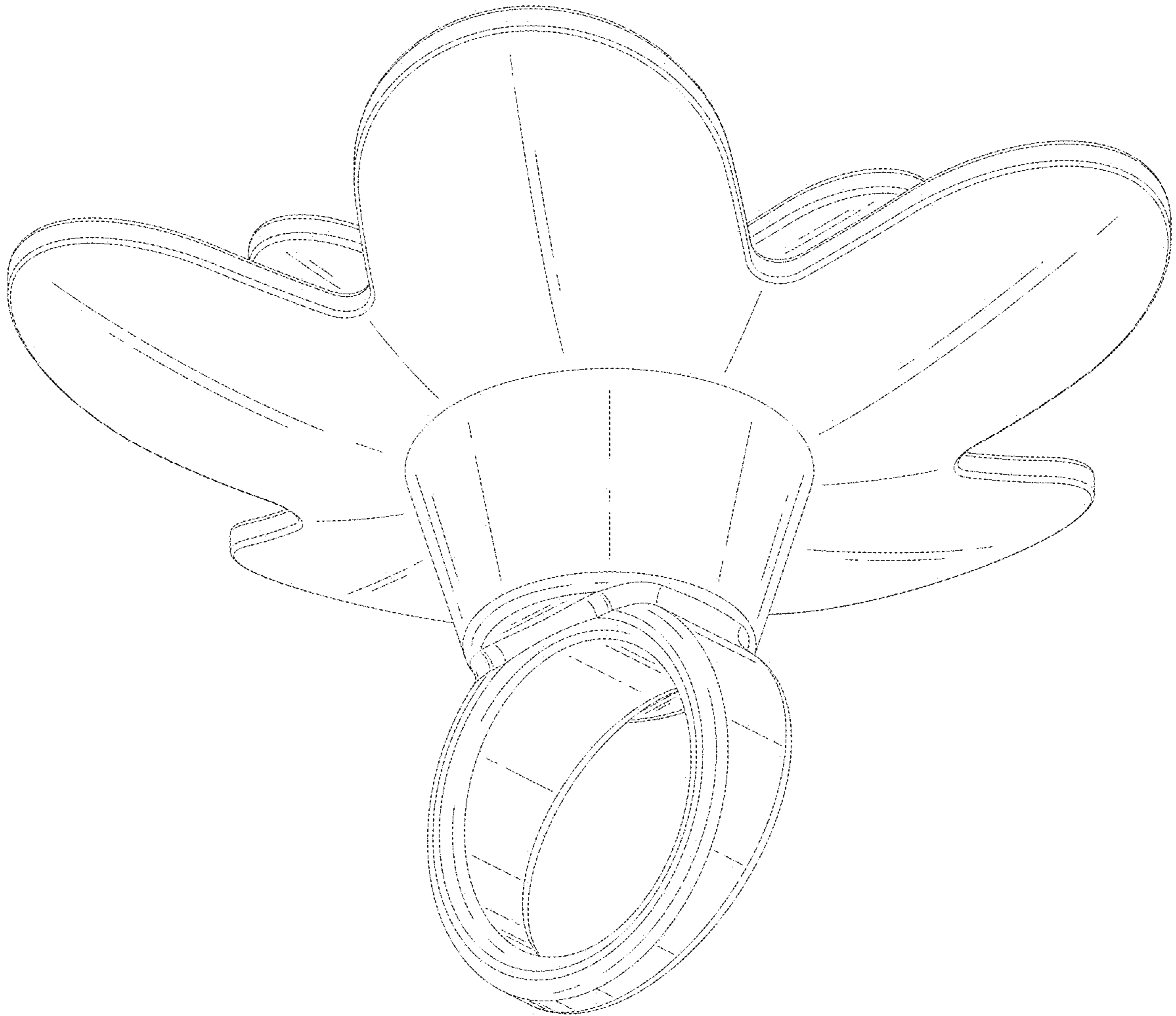


FIG. 2

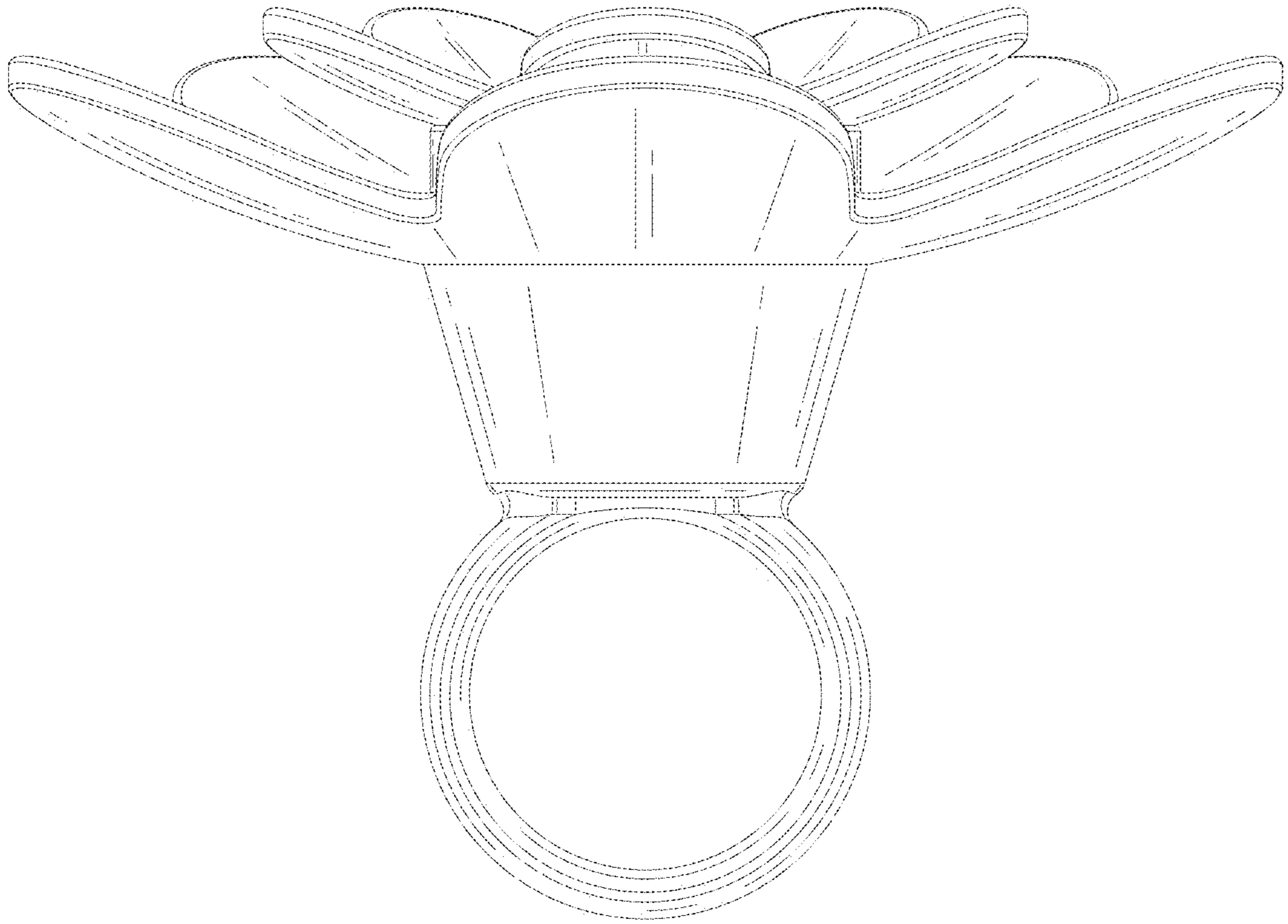


FIG. 3

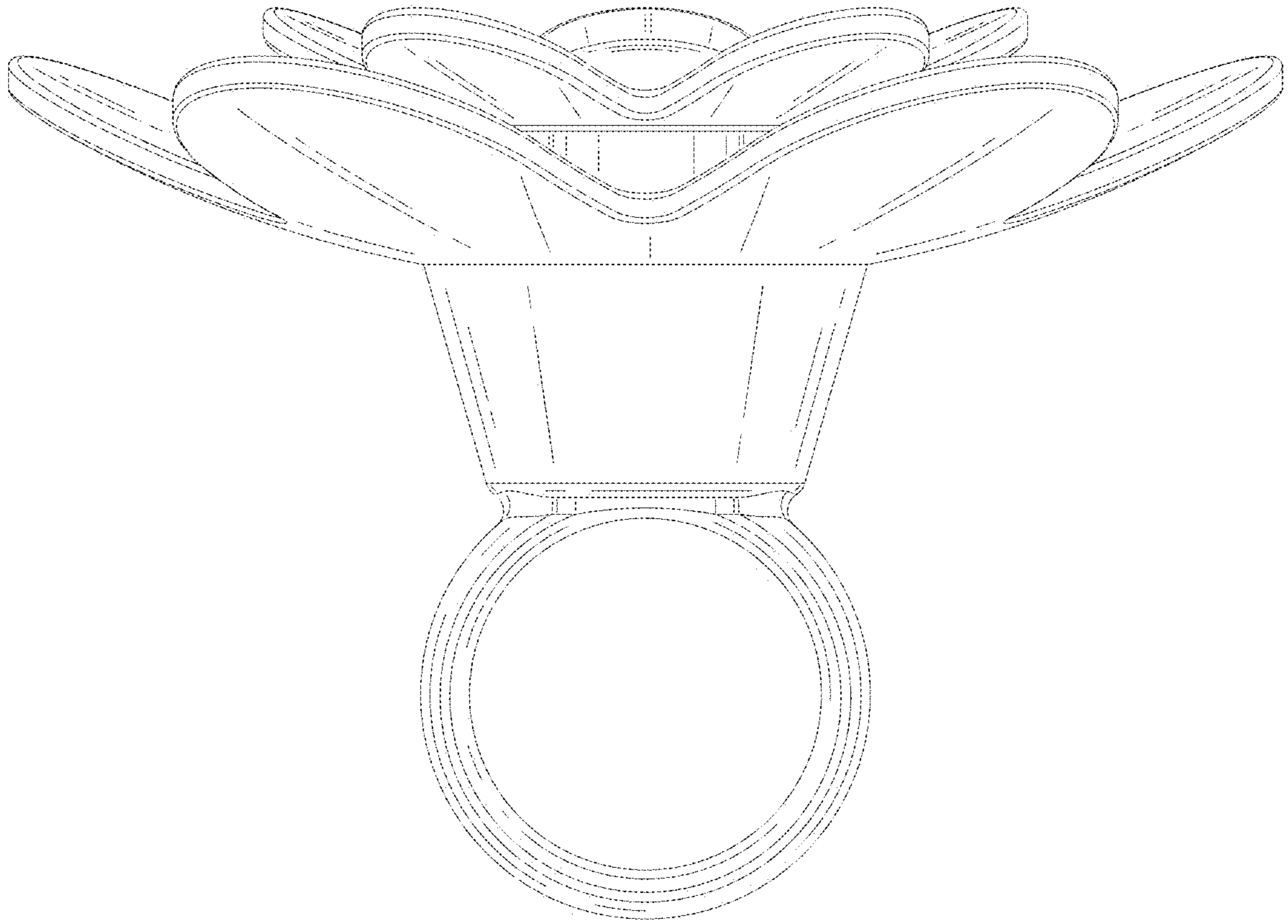


FIG. 4

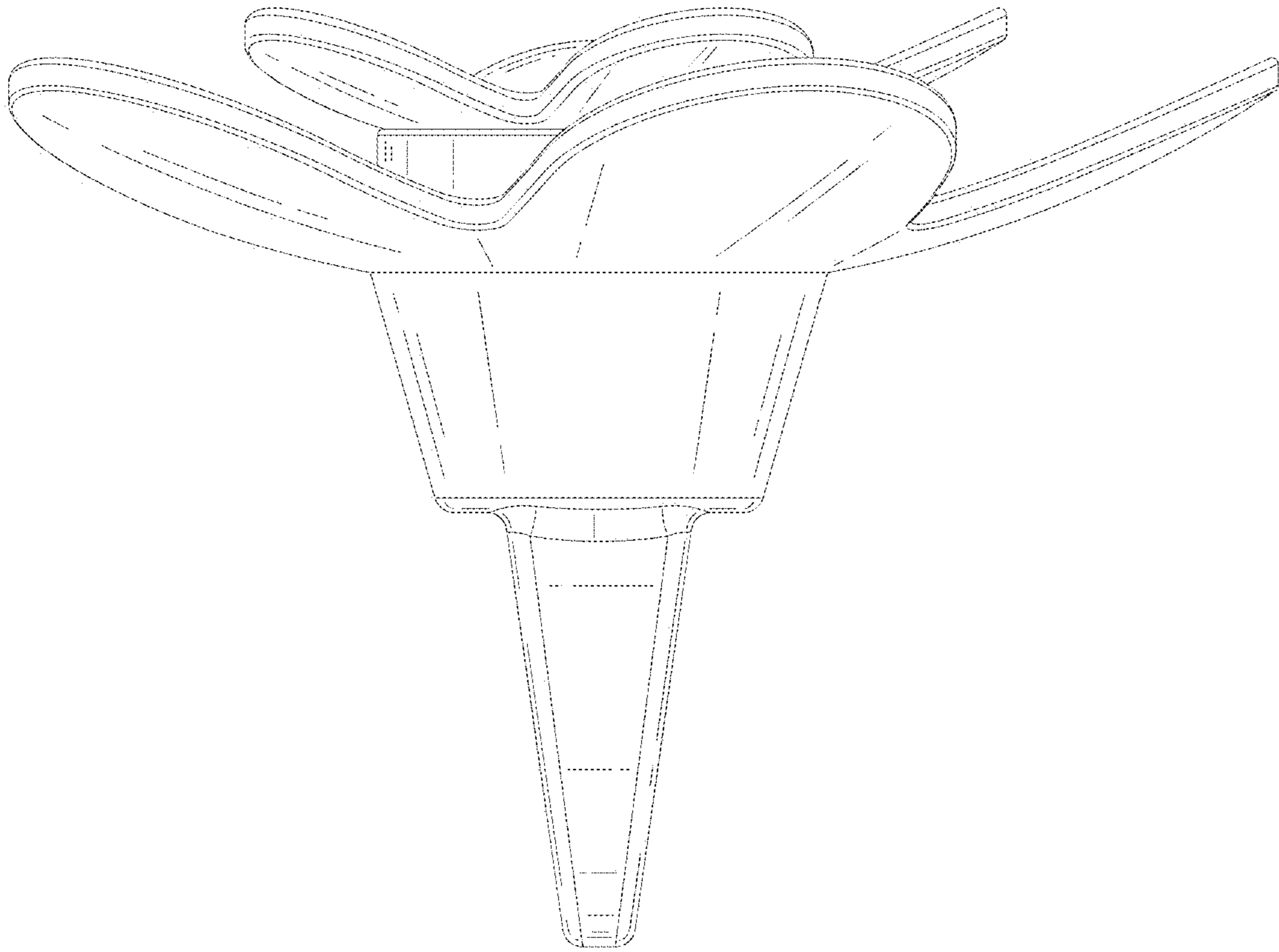


FIG. 5

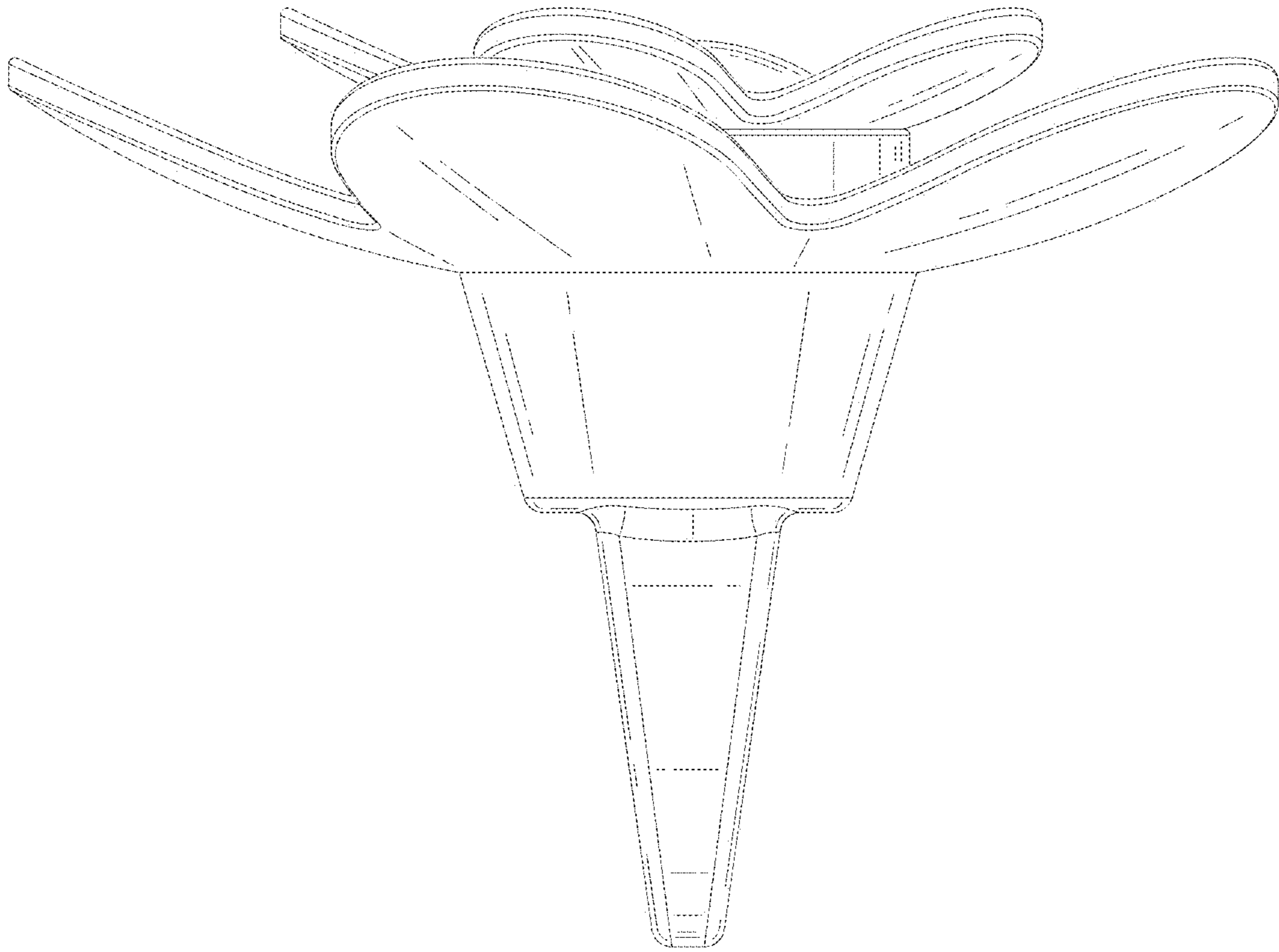


FIG. 6

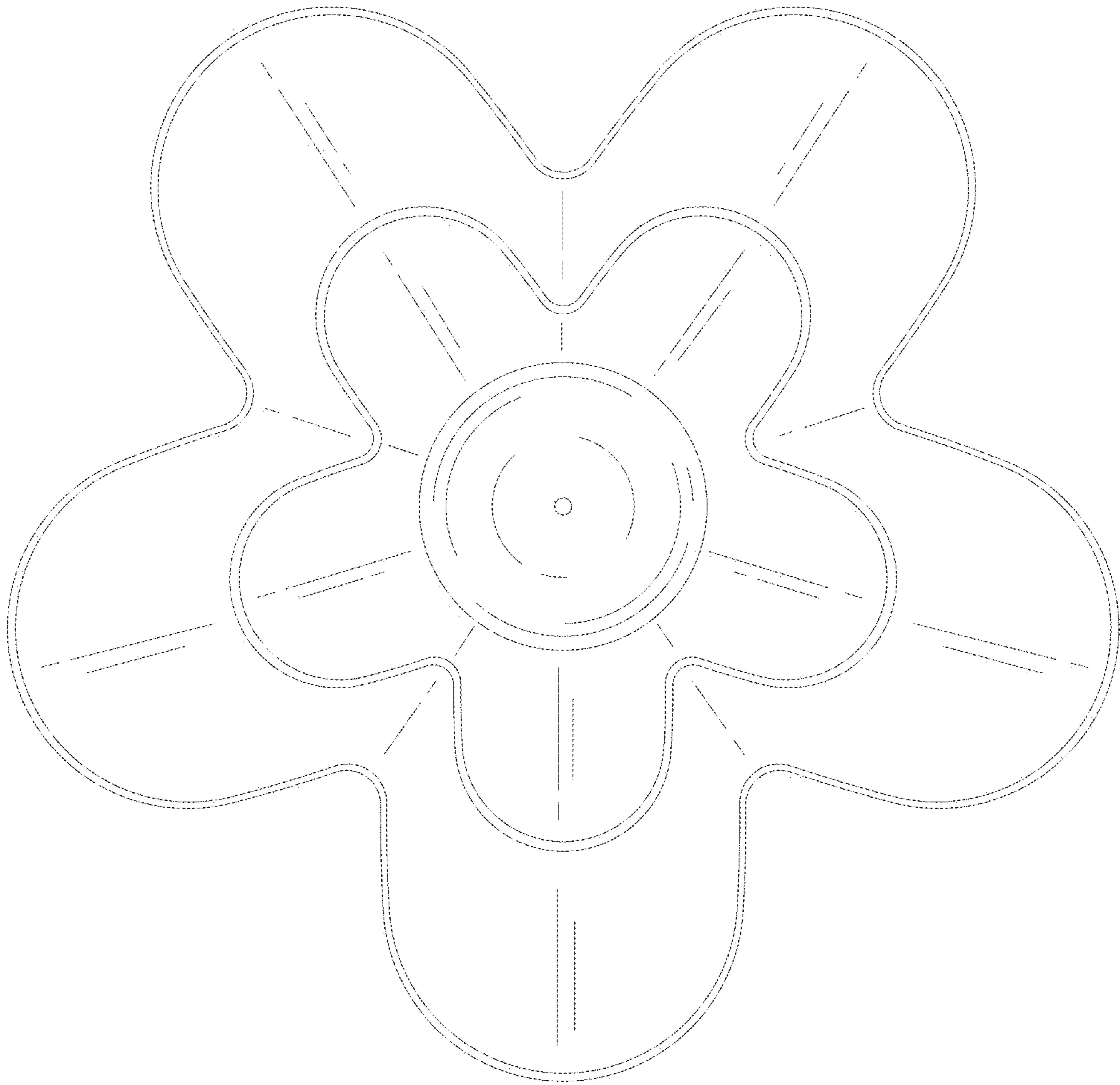


FIG. 7

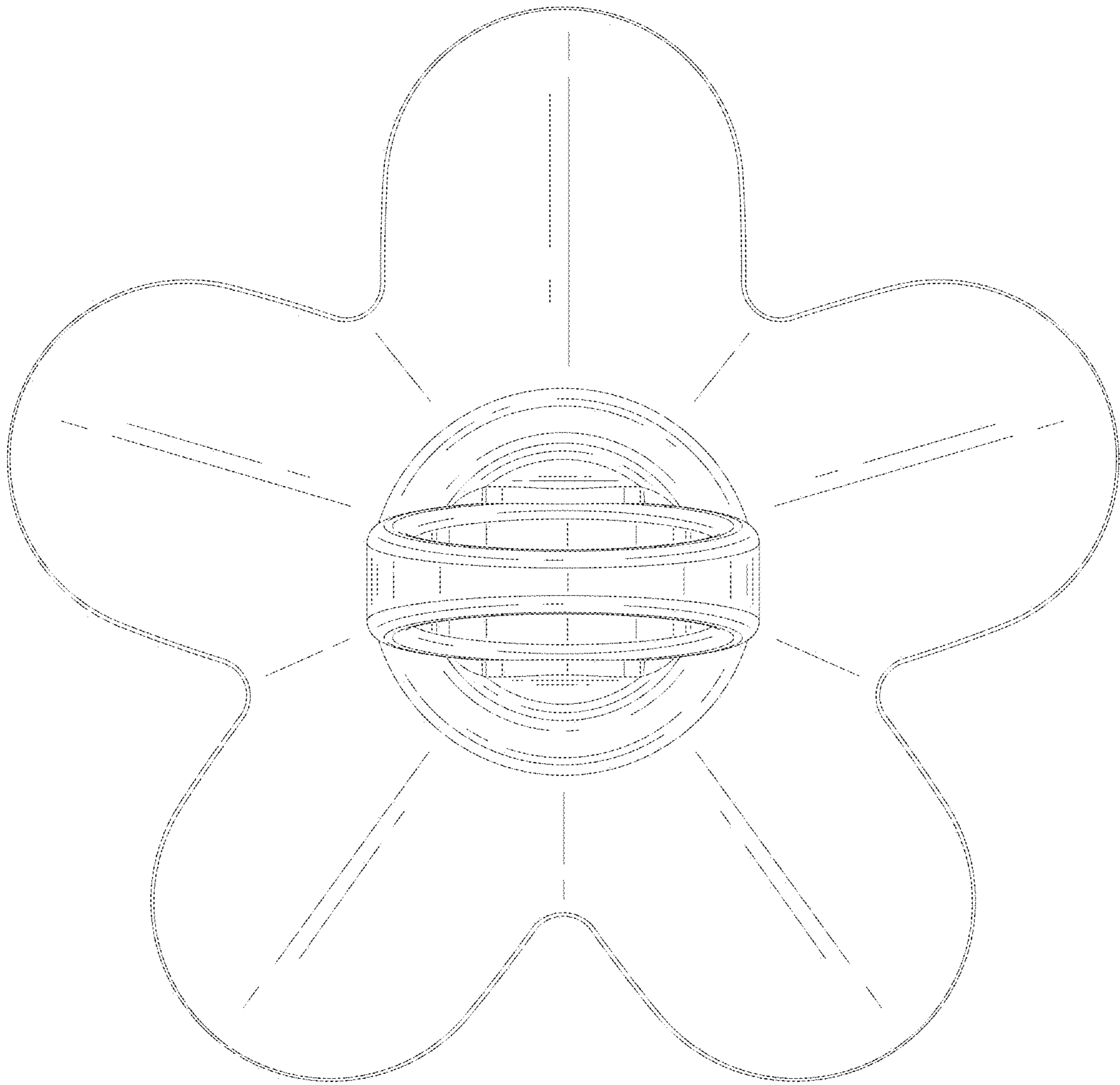


FIG. 8