



US0D1049484S

(12) **United States Design Patent** (10) **Patent No.:** **US D1,049,484 S**  
**Wright** (45) **Date of Patent:** **\*\* Oct. 29, 2024**

(54) **CIGAR CUTTER**

(71) Applicant: **Dale Allen Wright**, Brandywine, MD (US)

(72) Inventor: **Dale Allen Wright**, Brandywine, MD (US)

(\*\*) Term: **15 Years**

(21) Appl. No.: **29/877,748**

(22) Filed: **Jun. 12, 2023**

(51) **LOC (14) Cl.** ..... **27-99**

(52) **U.S. Cl.**  
USPC ..... **D27/195**

(58) **Field of Classification Search**  
USPC .... D27/195, 194, 183; D8/98, 99, 100, 105, D8/51, 52, 57, 60  
CPC ..... A24F 13/24; A24F 13/18; A24F 13/20; A24F 13/22; A24F 13/26  
See application file for complete search history.

(56) **References Cited**

**U.S. PATENT DOCUMENTS**

2,951,411	A	9/1960	Subilia	
3,759,127	A	9/1973	Mills	
D375,576	S *	11/1996	Mesco	D27/195
D396,125	S *	7/1998	Chen	D27/195
D398,072	S *	9/1998	Singletary	D27/195
5,888,061	A *	3/1999	Reynolds	A24F 13/24 131/249
D410,109	S *	5/1999	Van Keppel	D27/195
D413,408	S *	8/1999	White	D27/195
5,974,668	A	11/1999	Butzer	
D602,632	S *	10/2009	Smith	D27/195
D605,351	S *	12/2009	Smith	D27/195
D630,794	S *	1/2011	Cohen Harel	D27/195
7,861,727	B1 *	1/2011	Jones	A24F 13/26 131/253
D698,993	S *	2/2014	Sharif	D27/195
8,656,595	B2 *	2/2014	Wong	A24F 13/26 30/109

9,055,769	B2 *	6/2015	Liao	A24F 13/26
D749,391	S *	2/2016	Payne	D8/98
D757,359	S *	5/2016	Van Keppel	D27/195
D822,274	S *	7/2018	Almsberger	D27/195
10,201,184	B1 *	2/2019	Fischer	A24F 13/24
D960,444	S *	8/2022	Yang	D27/195
D982,229	S *	3/2023	Cai	D27/195
D985,191	S *	5/2023	Wang	D27/195
D986,494	S *	5/2023	Barrantes	D27/195
D986,495	S *	5/2023	Barrantes	D27/195

(Continued)

**OTHER PUBLICATIONS**

Cigar Cutter By: Mantello Cigars found on Amazon (Jul. 25, 2024)  
[https://www.amazon.com/Mantello-V-Cut-Cigar-Cutter-Gloss/dp/B07VZVTDDV/ref=sr\\_1\\_4?crd=27TN910Y5UF8K&dib=](https://www.amazon.com/Mantello-V-Cut-Cigar-Cutter-Gloss/dp/B07VZVTDDV/ref=sr_1_4?crd=27TN910Y5UF8K&dib=) (Aug. 1, 2019).\*

*Primary Examiner* — Rebecca Tsehaye

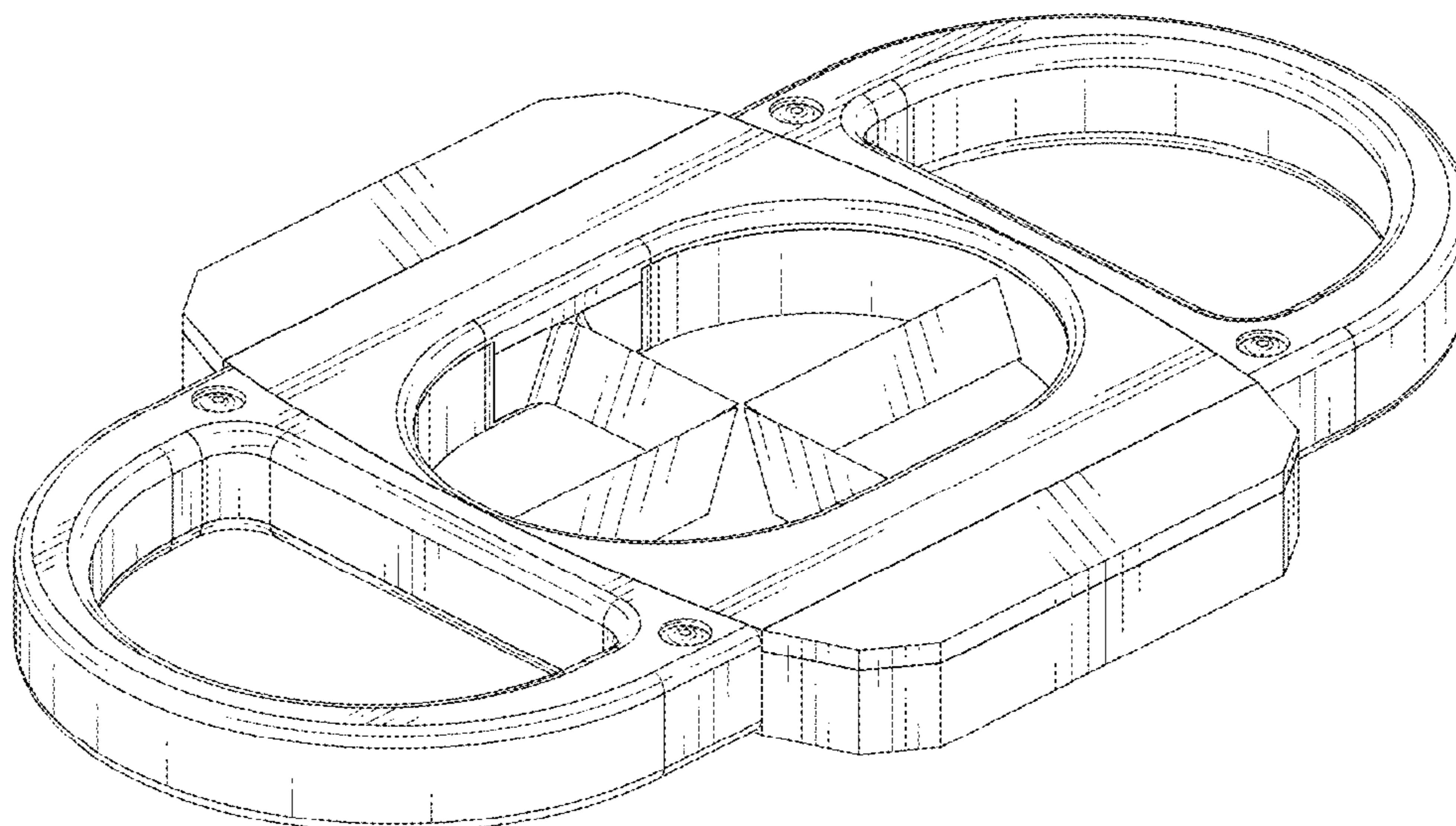
(57) **CLAIM**

The ornamental design for a cigar cutter, as shown and described.

**DESCRIPTION**

FIG. 1 is a bottom-front-left perspective view of a cigar cutter showing my new design;  
FIG. 2 is a bottom-rear-right perspective view thereof;  
FIG. 3 is a front elevational view thereof;  
FIG. 4 is a rear elevational view thereof;  
FIG. 5 is a left-side elevational view thereof;  
FIG. 6 is a right-side elevational view thereof;  
FIG. 7 is a top plan view thereof;  
FIG. 8 is a bottom plan view thereof;  
FIG. 9 is a bottom-front-left perspective view of the cigar cutter in an open configuration thereof;  
FIG. 10 is a bottom-rear-right perspective view of the cigar cutter in an open configuration thereof; and,  
FIG. 11 is a front elevational view of the cigar cutter in an open configuration thereof.

**1 Claim, 11 Drawing Sheets**



(56)

**References Cited**

U.S. PATENT DOCUMENTS

D999,040 S \* 9/2023 Hong ..... D8/51  
D1,006,585 S \* 12/2023 Ambrogiani ..... D8/51  
D1,022,654 S \* 4/2024 Chiocca ..... D8/98  
2010/0146792 A1\* 6/2010 Wong ..... A24F 13/26  
30/113  
2010/0257741 A1 10/2010 Lin et al.

\* cited by examiner

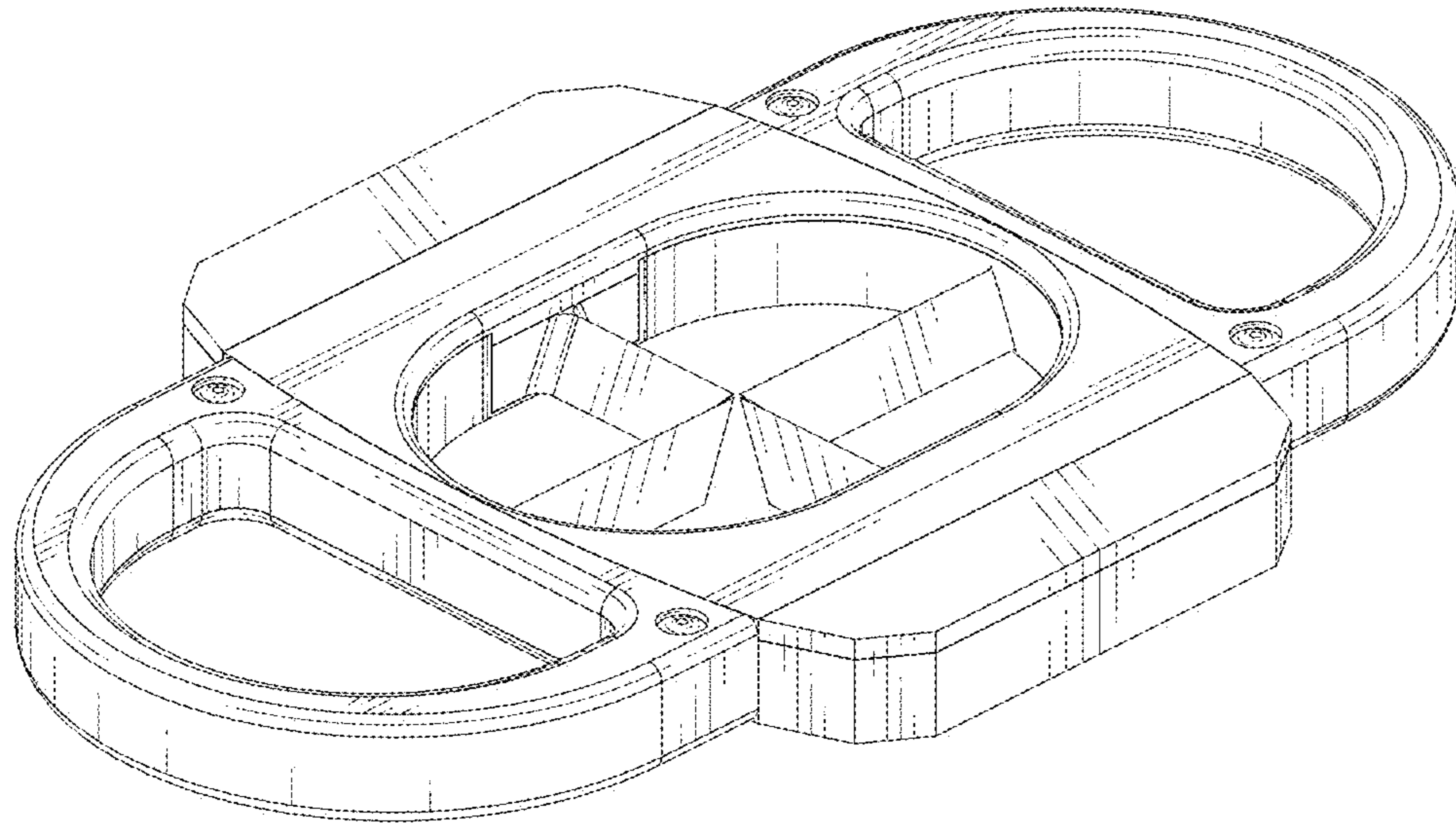


FIG. 1

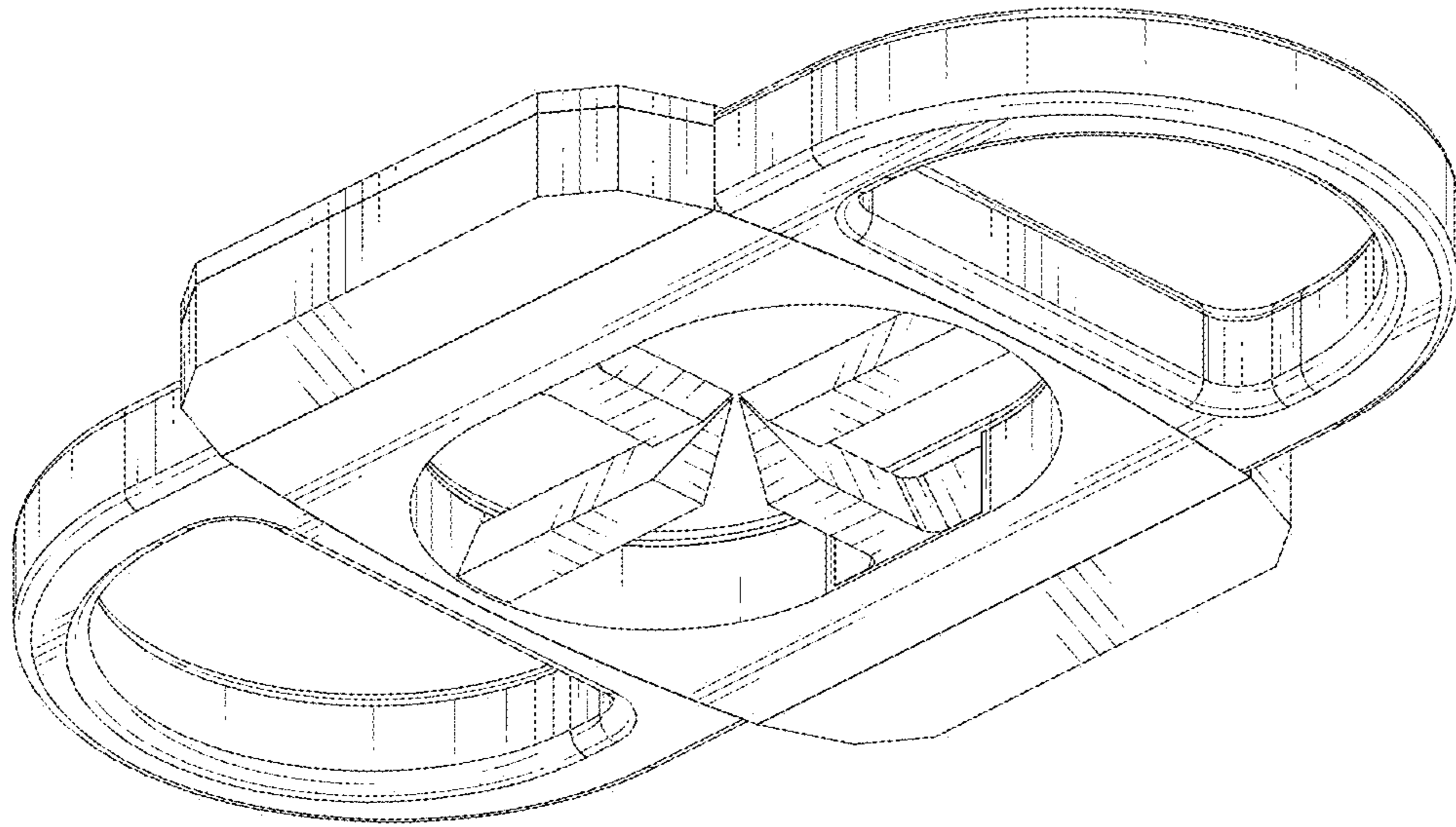


FIG. 2



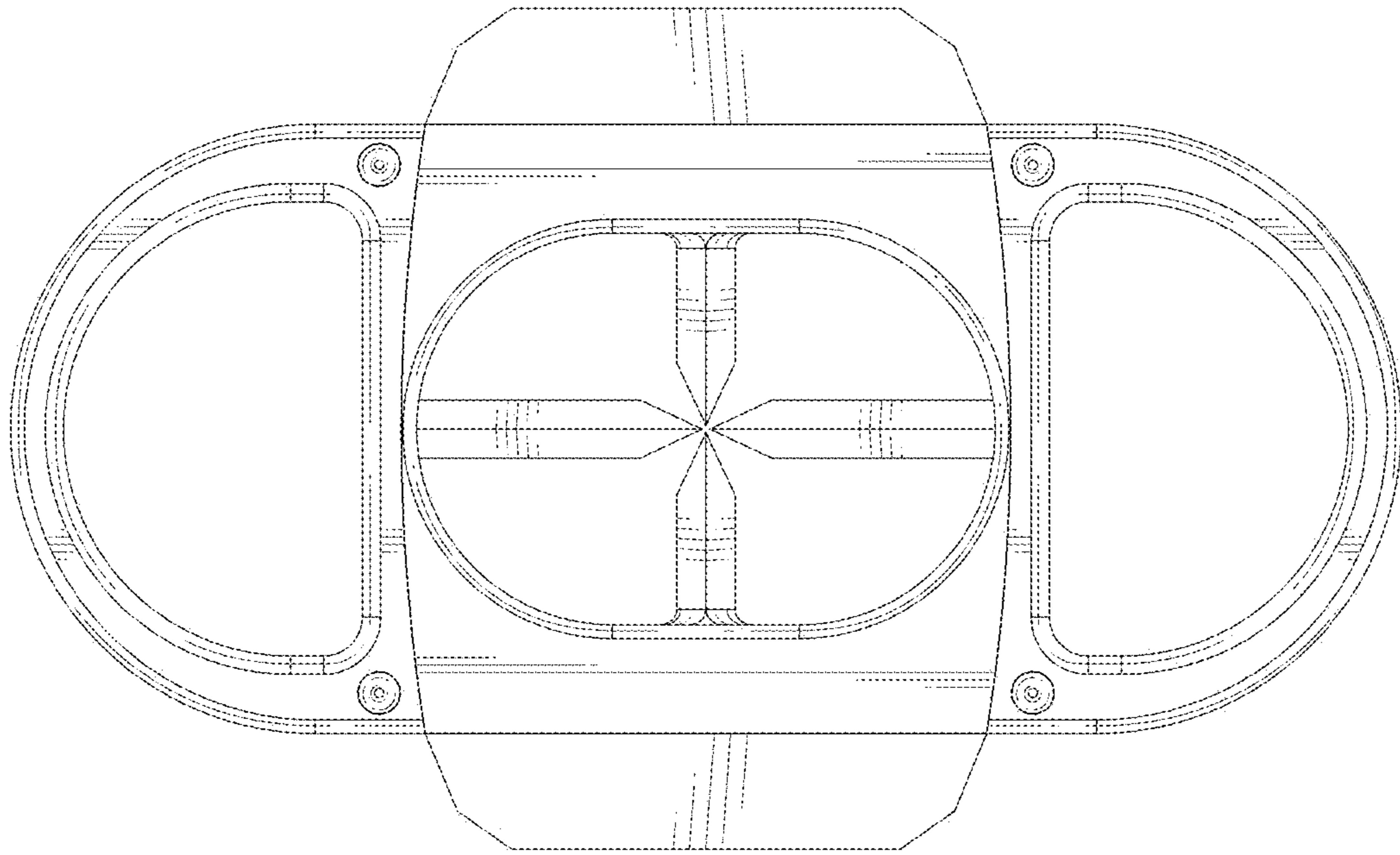


FIG. 3

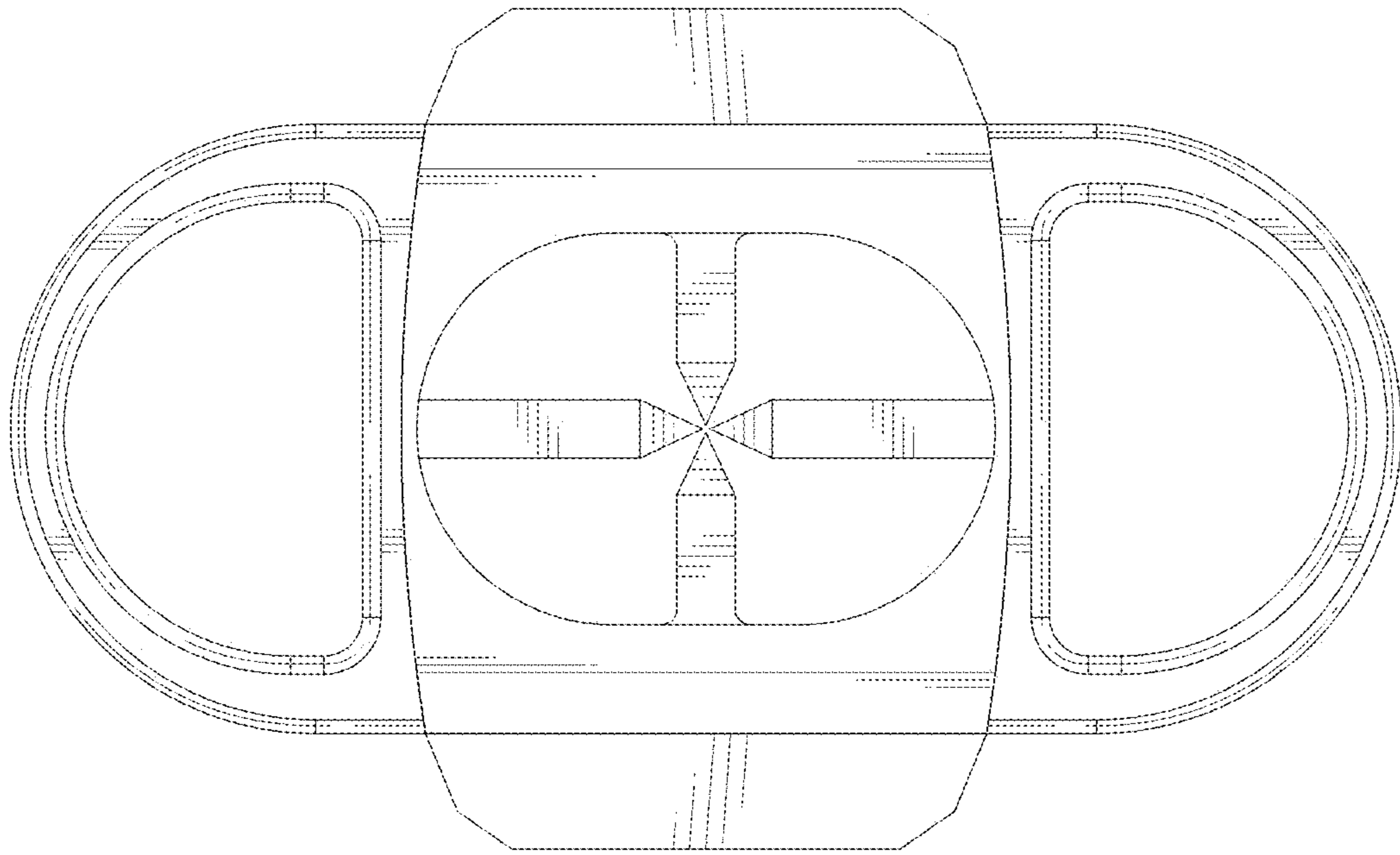


FIG. 4

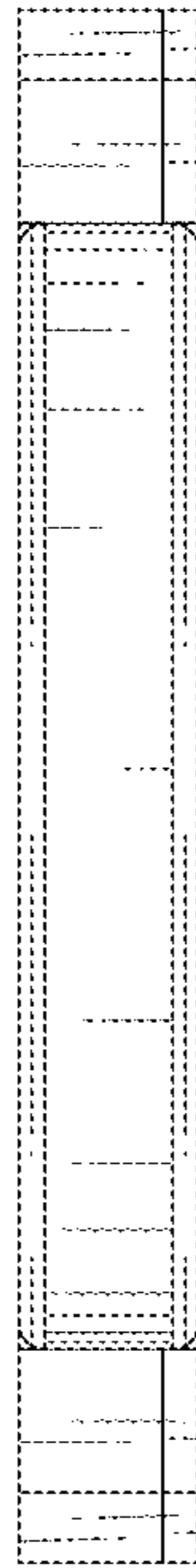


FIG. 5

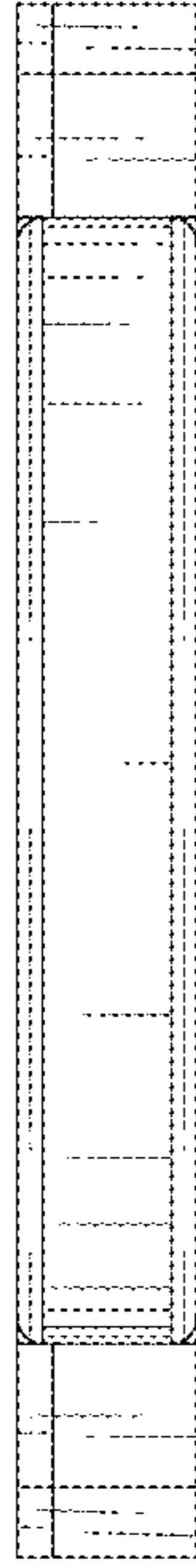


FIG. 6



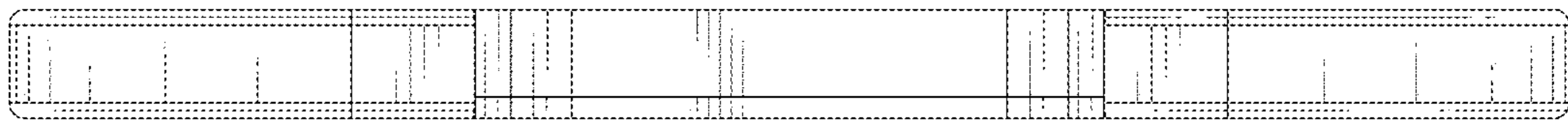


FIG. 7

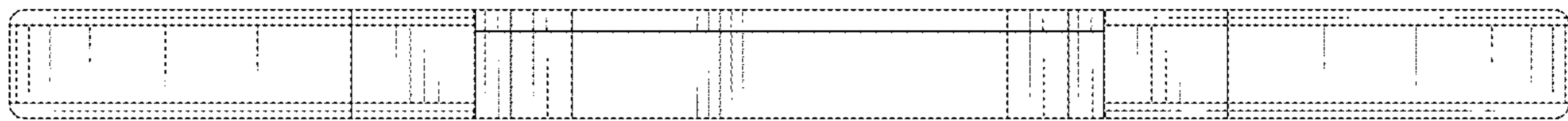


FIG. 8

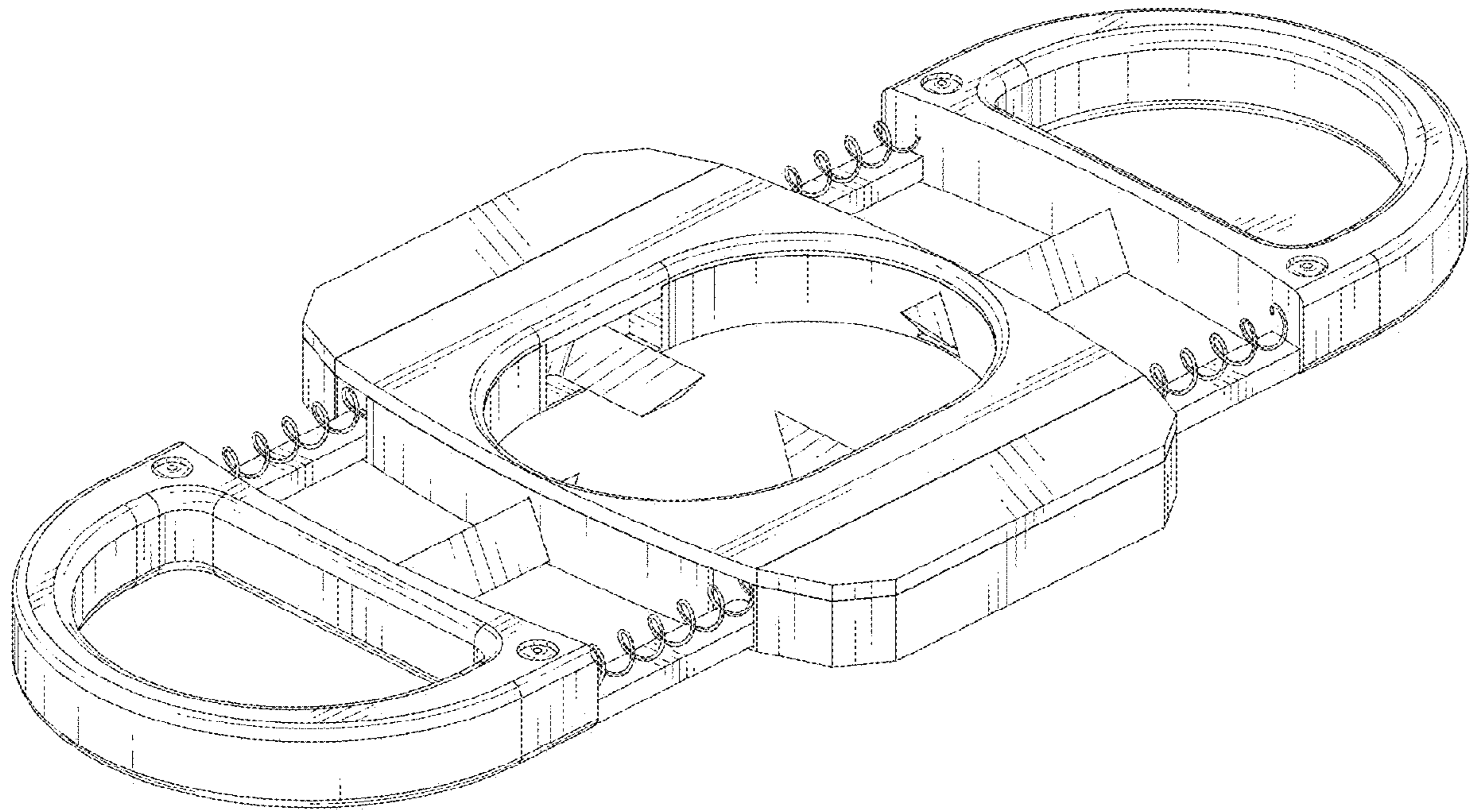


FIG. 9

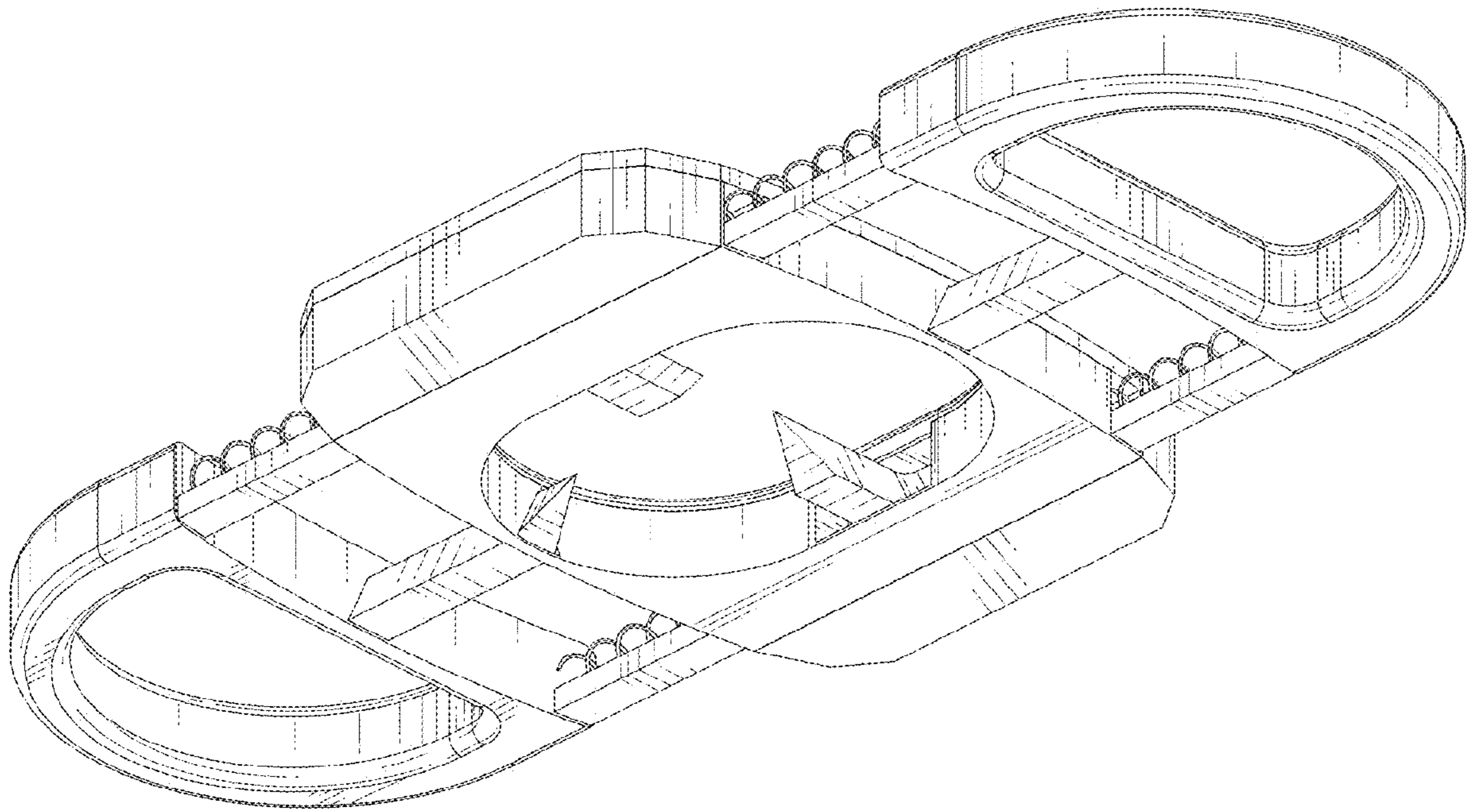


FIG. 10

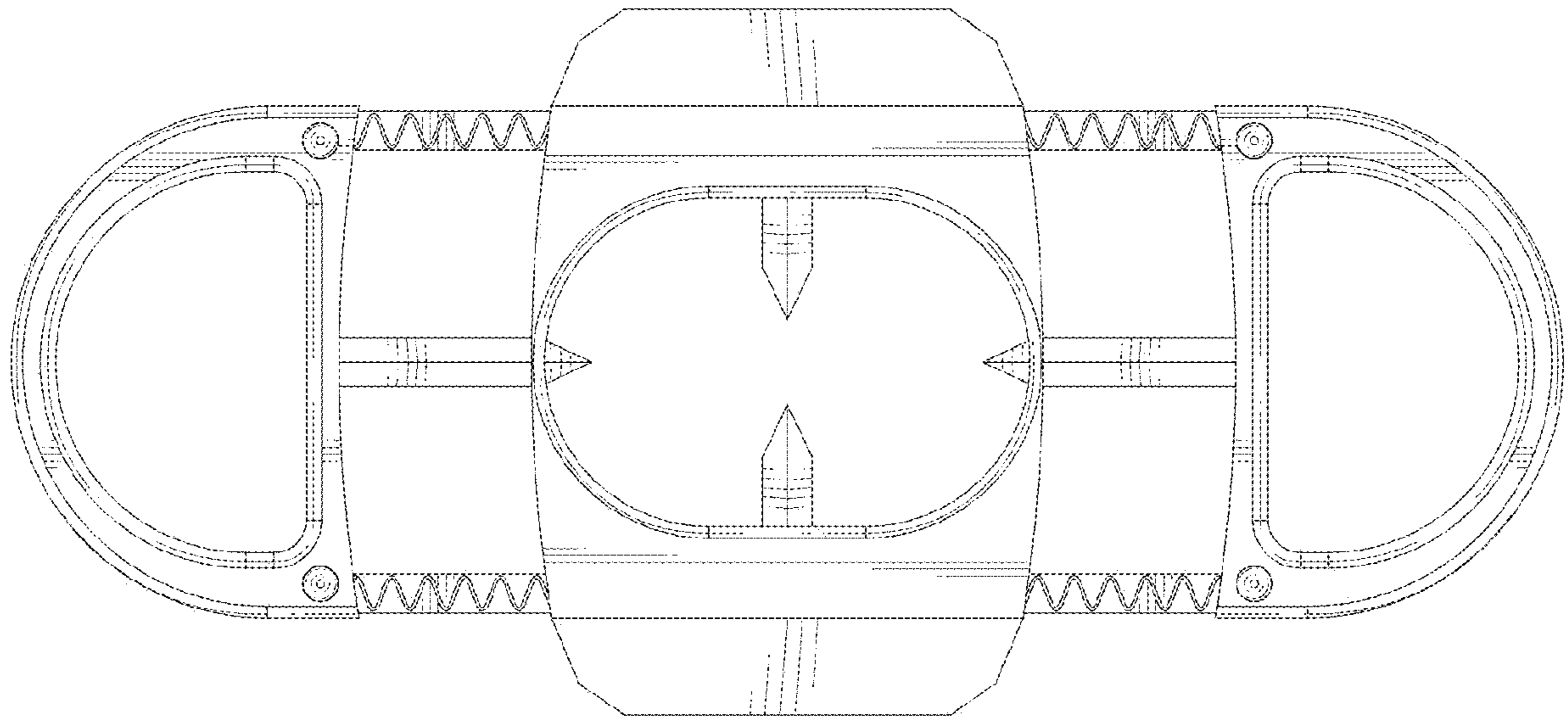


FIG. 11