



US0D1049458S

(12) **United States Design Patent** (10) **Patent No.:** **US D1,049,458 S**
Harlan (45) **Date of Patent:** **** Oct. 29, 2024**

(54) **SCONCE**

FOREIGN PATENT DOCUMENTS

(71) Applicant: **ARTERIORS HOME**, Lewisville, TX (US)

CN 307822116 * 1/2023

(72) Inventor: **Jillian Harlan**, The Colony, TX (US)

OTHER PUBLICATIONS

(73) Assignee: **ARTERIORS HOME**, Lewisville, TX (US)

Amazon | H&K Wall Light Fixtures Glass Sconce Vanity Light . . . posted on Dec. 2, 2019, © 1996-2024, Amazon.com, Inc. [online], site visited May 29, 2024. Available from Internet, <<https://www.amazon.ca/Light-Fixtures-Sconce-Vanity-White-1/dp/B07XM6VG1Y>> (Year: 2019).*

(**) Term: **15 Years**

Arteriorshome | Ova Sconce, posted on May 21, 2022, © 2022 Arteriors Home, site visited May 29, 2024. Available from Internet, <<https://web.archive.org/web/20220521055343/https://www.arteriorshome.com/ova-sconce-49826>> (Year: 2022).*

(21) Appl. No.: **29/885,008**

(22) Filed: **Feb. 17, 2023**

* cited by examiner

(51) **LOC (14) Cl.** **26-05**

(52) **U.S. Cl.**
USPC **D26/87**; D26/92

(58) **Field of Classification Search**
USPC D26/24, 72, 81, 85, 86, 87, 88, 92
CPC F21S 8/036; F21S 8/00; F21S 8/033; F21S 8/06; F21V 3/02

See application file for complete search history.

Primary Examiner — Cary M Robinson
Assistant Examiner — Julie Marie Bailey
(74) *Attorney, Agent, or Firm* — TROUTMAN PEPPER HAMILTON SANDERS LLP

(56) **References Cited**

(57) **CLAIM**

The ornamental design for a sconce, as shown and described.

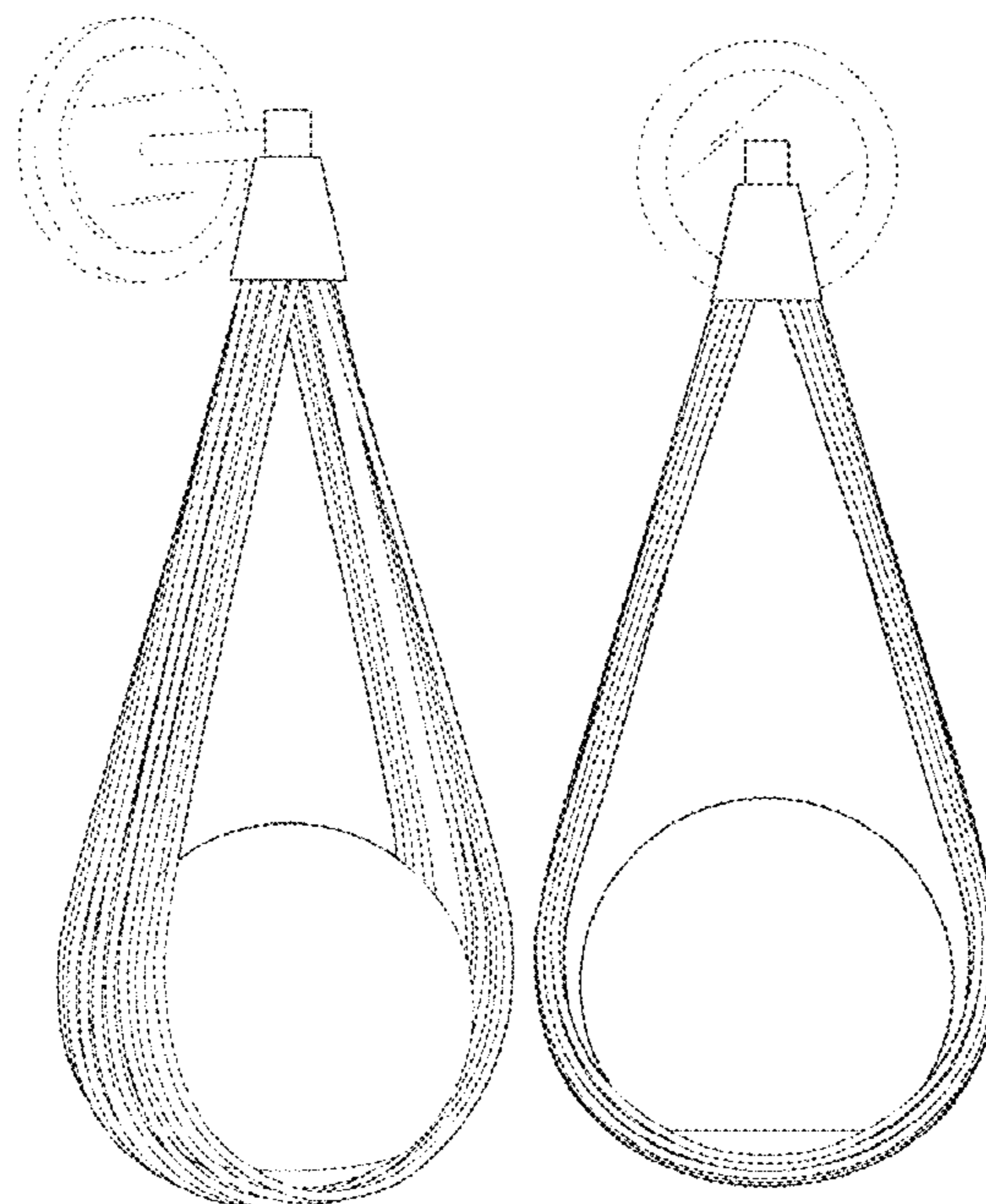
U.S. PATENT DOCUMENTS

DESCRIPTION

D596,332 S	*	7/2009	Diller	D26/88
D690,051 S	*	9/2013	Sabernig	D26/85
D690,052 S	*	9/2013	Sabernig	D26/118
D712,585 S	*	9/2014	Bassetti	D26/90
D729,431 S	*	5/2015	Miller	D26/88
D754,909 S	*	4/2016	Toft Hansen	D26/88
D757,328 S	*	5/2016	Anderson	D26/88
D820,501 S	*	6/2018	Amato	D26/88
D870,351 S	*	12/2019	Sonneman	D26/88
D932,085 S	*	9/2021	Orozco	D26/88
D958,439 S	*	7/2022	Huang	D26/88
D959,040 S	*	7/2022	Bitton	D26/88

FIG. 1 is a perspective view of a sconce according to this invention;
FIG. 2 is a front view of the sconce shown in FIG. 1;
FIG. 3 is a left side view of the sconce shown in FIG. 1;
FIG. 4 is a right side view of the sconce shown in FIG. 1;
FIG. 5 is a top view of the sconce shown in FIG. 1; and,
FIG. 6 is a bottom view of the sconce shown in FIG. 1.
The broken lines depict portions of the sconce that form no part of the claimed design.

1 Claim, 6 Drawing Sheets



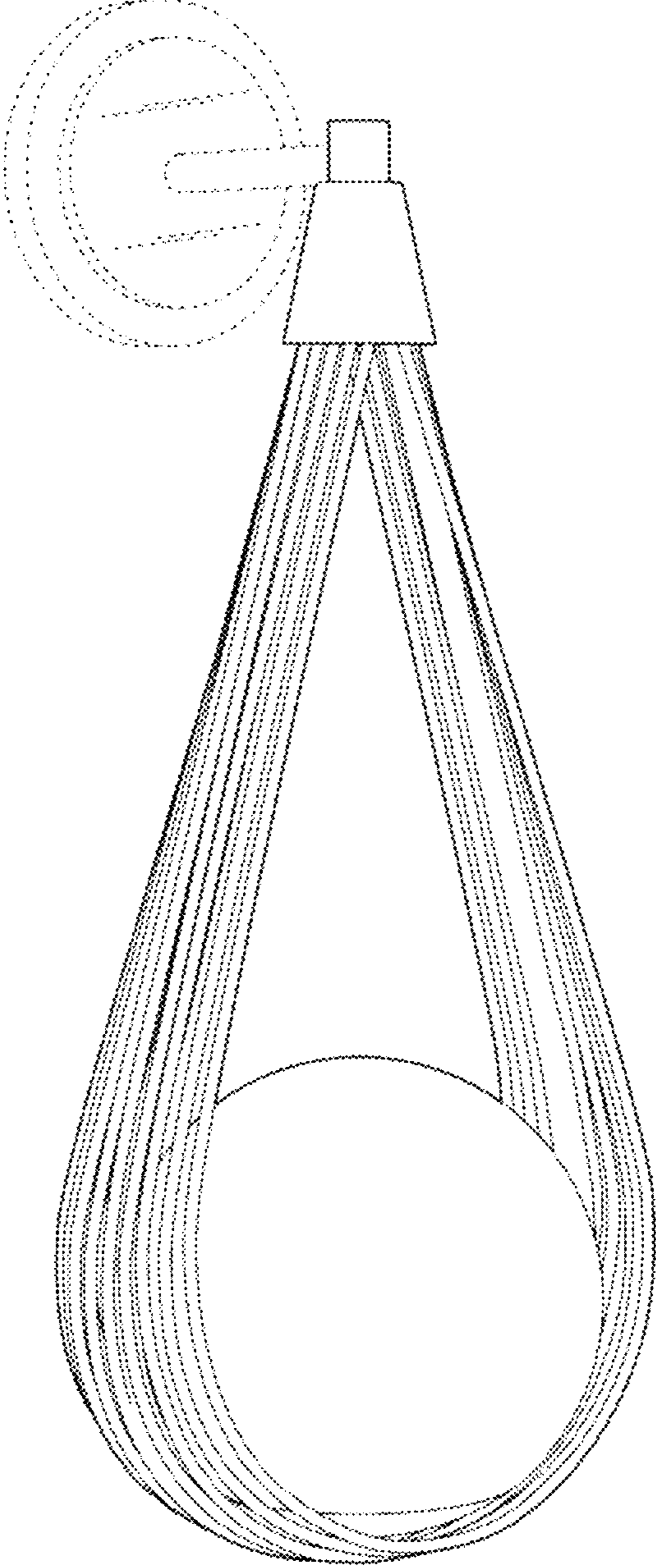


Fig. 1

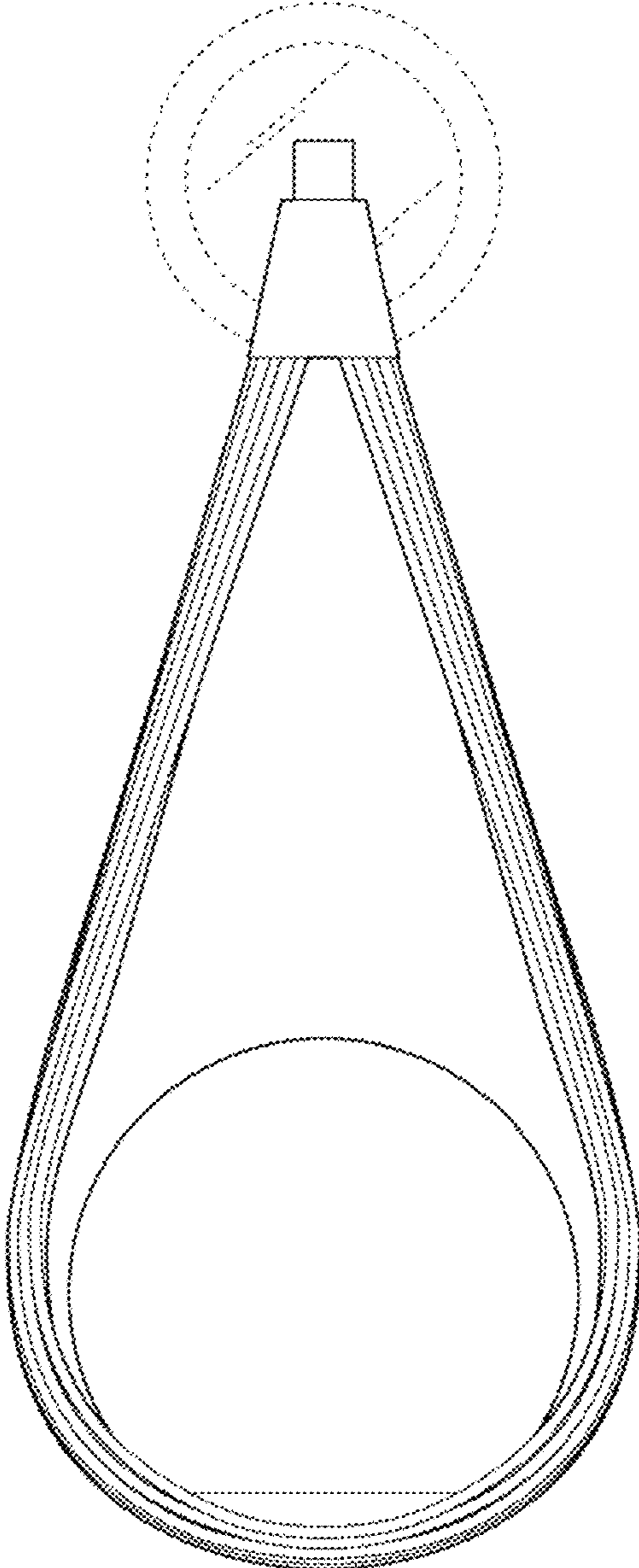


Fig. 2

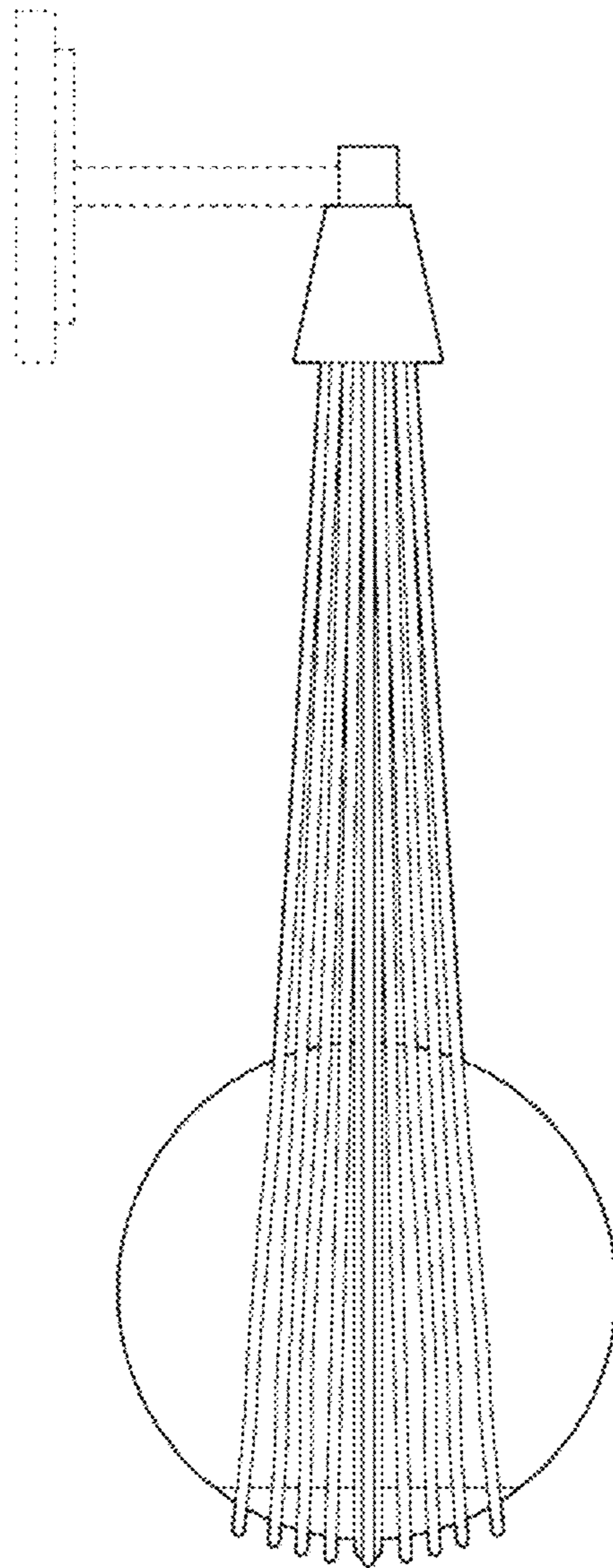


Fig. 3

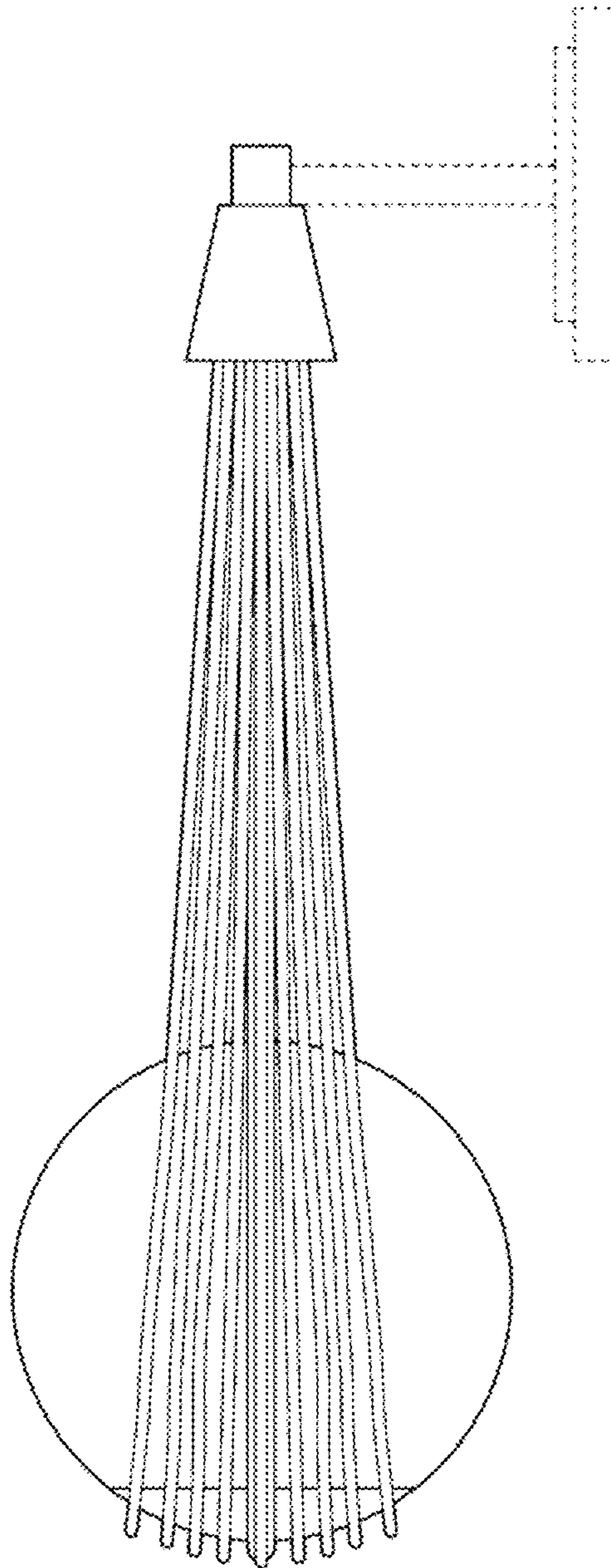


Fig. 4

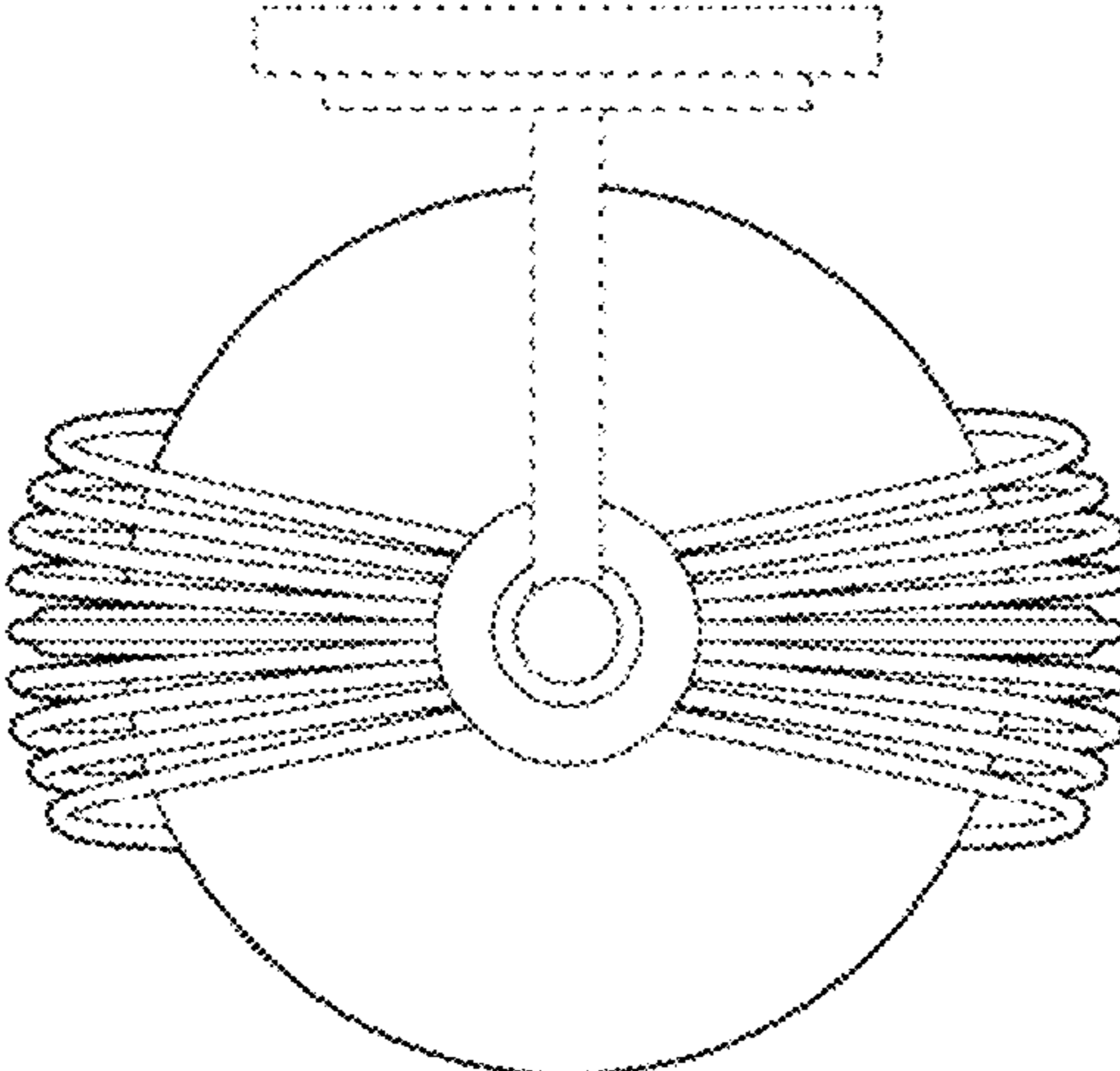


Fig. 5

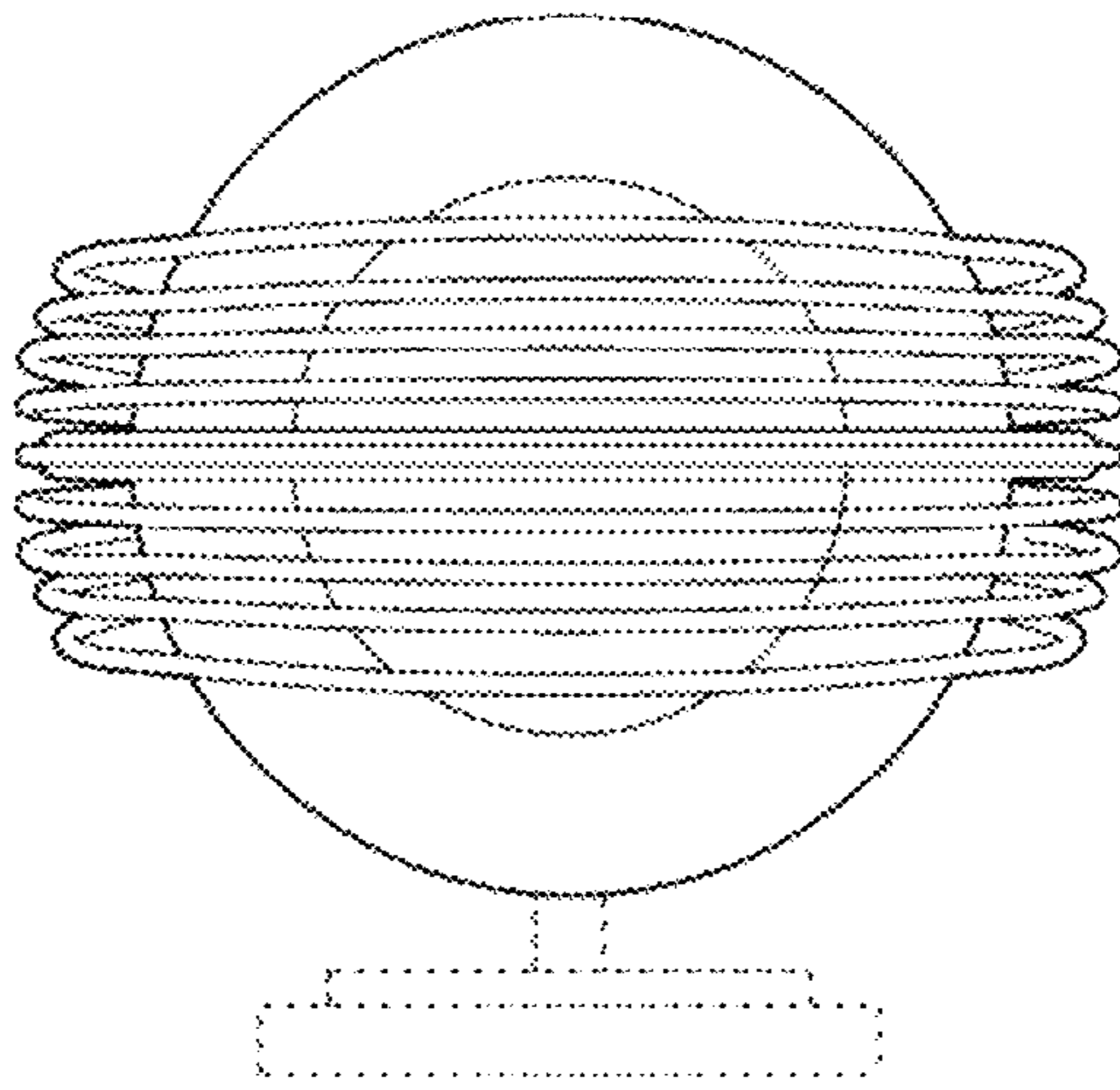


Fig. 6