



US0D1049304S

(12) **United States Design Patent** (10) **Patent No.:** **US D1,049,304 S**
Ahmed (45) **Date of Patent:** **** Oct. 29, 2024**

(54) **CHIMERA SHAD GLIDE BAIT**

FOREIGN PATENT DOCUMENTS

(71) Applicant: **Fahad Ahmed**, Santa Clara, CA (US)

WO 2015157558 A2 10/2015

(72) Inventor: **Fahad Ahmed**, Santa Clara, CA (US)

OTHER PUBLICATIONS

(**) Term: **15 Years**

Shad Glide Bait: TackleWarehouse, (Sep. 3, 2024): <https://www.tacklewarehouse.com/search-tackle.html?start=0&count=20&searchtext=baitsanity+antidote+chimera+shad+glide+bait> (Year: 2024).*

(21) Appl. No.: **29/909,434**

(22) Filed: **Aug. 4, 2023**

(Continued)

Related U.S. Application Data

Primary Examiner — Catherine R Oliver-Garcia

(63) Continuation-in-part of application No. 17/937,359, filed on Sep. 30, 2022, which is a continuation-in-part of application No. 29/842,413, filed on Jun. 13, 2022, now Pat. No. Des. 1,039,650, and a continuation-in-part of application No. 29/745,384, filed on Aug. 5, 2020, now Pat. No. Des. 997,291, said application No. 29/842,413 is a continuation-in-part of application No. 16/876,676, filed on May 18, 2020, now Pat. No. 11,412,723, said application No. 29/745,384 is a continuation-in-part of application No. 16/876,676, filed on May 18, 2020, now Pat. No. 11,412,723.

(57) **CLAIM**

The ornamental design for a chimera shad glide bait, as shown and described.

(51) **LOC (14) Cl.** **22-05**

(52) **U.S. Cl.**
USPC **D22/133**

(58) **Field of Classification Search**
USPC D22/126-133; 43/42.13, 42.31
CPC A01K 85/00; A01K 85/01; A01K 85/14;
A01K 85/147; A01K 85/1833
See application file for complete search history.

DESCRIPTION

FIG. 1 is a top-front-left perspective view of a chimera shad glide bait showing my new design;
FIG. 2 is a bottom-front-right perspective view thereof;
FIG. 3 is a top-rear-left perspective view thereof;
FIG. 4 is a bottom-rear-right perspective view thereof;
FIG. 5 is an enlarged front elevational view thereof;
FIG. 6 is an enlarged rear elevational view thereof;
FIG. 7 is a top plan view thereof;
FIG. 8 is a bottom plan view thereof;
FIG. 9 is a right elevational view thereof;
FIG. 10 is a left elevational view thereof;
FIG. 11 is a cross-sectional view taken along line 11-11 in FIG. 5; and,
FIG. 12 is a cross-sectional perspective view taken along line 12-12 in FIG. 10.

The broken line showing a hinge mechanism in FIGS. 1-4 and 7-12, and the broken line showing internal bait components in FIG. 11 are included for the purpose of illustrating environmental structure and form no part of the claimed design.

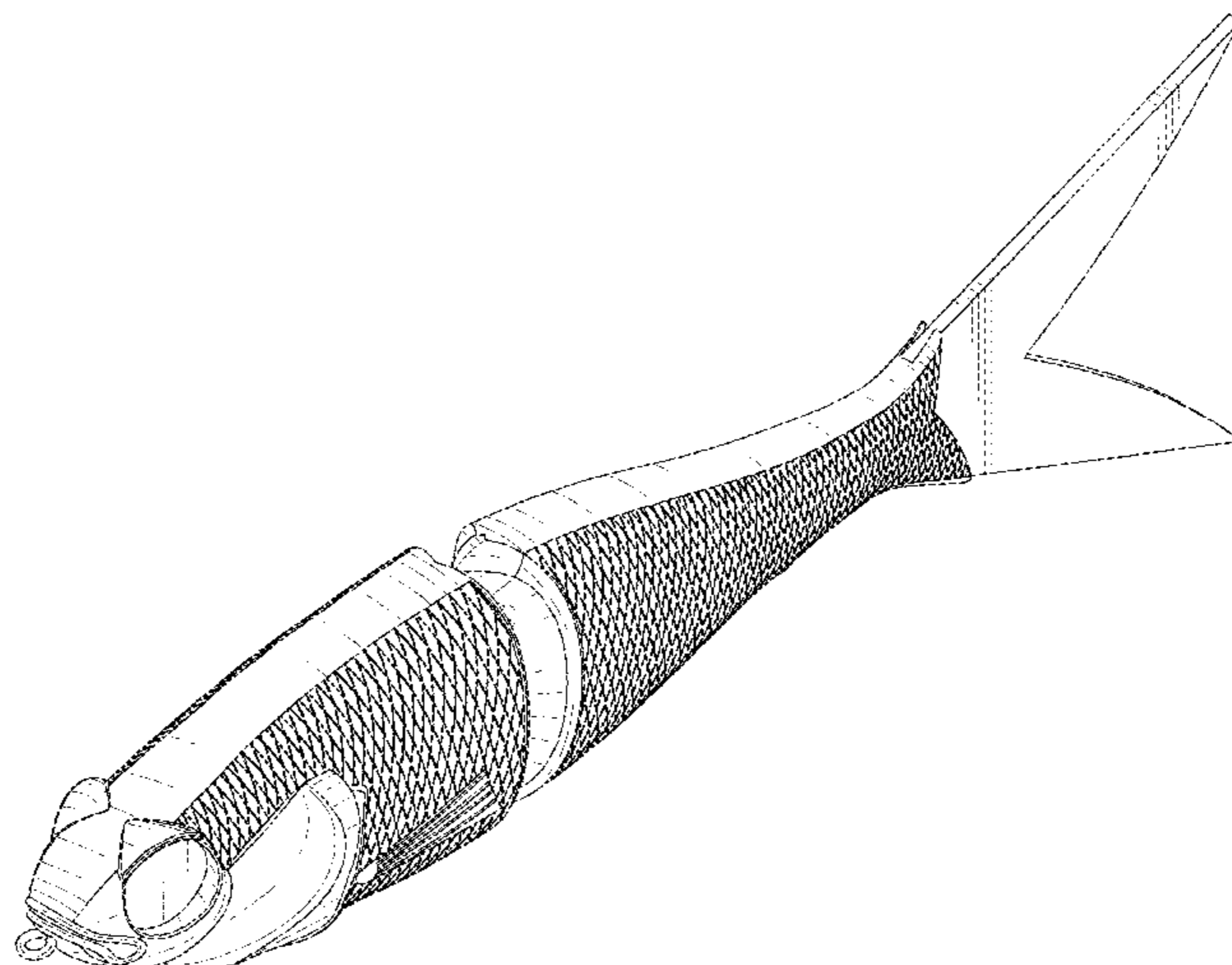
(56) **References Cited**

U.S. PATENT DOCUMENTS

4,380,132 A	4/1983	Atkinson	
5,522,170 A	6/1996	Cole	
D428,639 S *	7/2000	Christians	D22/133
6,718,684 B2	4/2004	Yong-Set	
D570,444 S *	6/2008	Scott	D22/131
7,712,245 B1	5/2010	Jarboe	

(Continued)

1 Claim, 12 Drawing Sheets



(56)

References Cited

U.S. PATENT DOCUMENTS

8,316,576	B1	11/2012	Brown	
8,747,146	B2	6/2014	Brown et al.	
8,769,782	B2	7/2014	Fujikawa	
8,926,355	B2	1/2015	Heil et al.	
9,645,181	B2	5/2017	Mimlitch, III et al.	
9,917,398	B1	3/2018	Ryland et al.	
D849,182	S *	5/2019	Ahmed	D22/133
D865,905	S *	11/2019	Koppers	D22/133
D908,833	S *	1/2021	Ahmed	D22/133
11,083,181	B2	8/2021	Priore	
11,412,723	B2	8/2022	Ahmed	
D1,019,876	S *	3/2024	Ahmed	D22/140
2012/0282791	A1	11/2012	Brown et al.	
2017/0000097	A1	1/2017	Thomas	
2021/0352879	A1 *	11/2021	Ahmed	A01K 85/1837

OTHER PUBLICATIONS

Bassdash SwimShad Glide Baits Jointed SwimBait Bass Pike Salmon Trout Muskie Fishing Lure, retrieved from the internet, retrieved on Oct. 3, 2022; <URL: https://www.amazon.com/Bassdash-SwimShad-Jointed-Swimbait-Fishing/dp/B08JKFX4Z7?ref_ast_sto_dp&th=1&psc=1>.

Sfeexun Lifelike 4 Segment Big Giant Sinking Fishing Bass Lures Artificial Hard Bait SwimBait for Fishing, Great for Fisherman Dad Gift, retrieved from the internet, retrieved on Oct. 3, 2022 <URL: [https://www.amazon.com/Sfeexun-Lifelike-Artificial-Swimbait-Fisherman/dp/B07DNZ5861/ref=sr_1_1?crd=427YK8HUV8PR&keywords=Sfeexun%2BLifelike%2B4%2BSegment%2BBig%2BGiant%2BSinking%2BFishing%2BBass%2BLures%2BArtificial%2BHard%2BBait%2BSwimbait%2BFor%2BFishing%2C%2BGreat%2BFor%2BFisherman%2BDad%](https://www.amazon.com/Sfeexun-Lifelike-Artificial-Swimbait-Fisherman/dp/B07DNZ5861/ref=sr_1_1?crd=427YK8HUV8PR&keywords=Sfeexun%2BLifelike%2B4%2BSegment%2BBig%2BGiant%2BSinking%2BFishing%2BBass%2BLures%2BArtificial%2BHard%2BBait%2BSwimbait%2BFor%2BFishing%2C%2BGreat%2BFor%2BFisherman%2BDad%2B)>.

Megabass Products, retrieved from the internet, retrieved on Oct. 3, 2022; <URL: <https://megabassusa.com/shop/>>.

Shimano Hardbaits, retrieved from the internet, retrieved on Oct. 3, 2022; <URL: https://fish.shimano.com/en-US/product/list.html?pcat1=cg1SHIFNaLureBait&pcat2=cg2SHIFNaLureBaitHardbait&pcat3=&pcat4=&fs=&series=&price_min=&price_max=>>.

Bassdash SwimShad Glide Baits Jointed SwimBait Bass Pike Salmon Trout Muskie Fishing Lure,3-Pack, retrieved from the internet, retrieved on Oct. 3, 2022; <URL: https://www.amazon.com/Bassdash-Swimbait-Minnow-Fishing-SwimShad/dp/B09HWYFCPT/ref=sr_1_1?keywords=Bassdash%2BSwimShad%2BGlide%2BBaits%2BJointed%2BSwimbait%2BBass%2BPike%2BSalmon%2BTrout%2BMuskie%2BFishing%2BLure%2C3-Pack&qid=1664823905&queryJxc2MiOilwLjAwliwicXNhIjoiMC4wMCIInFzcCI6IjAuMDAifQ%3D%3D&sr=8-1&th=1>.

* cited by examiner

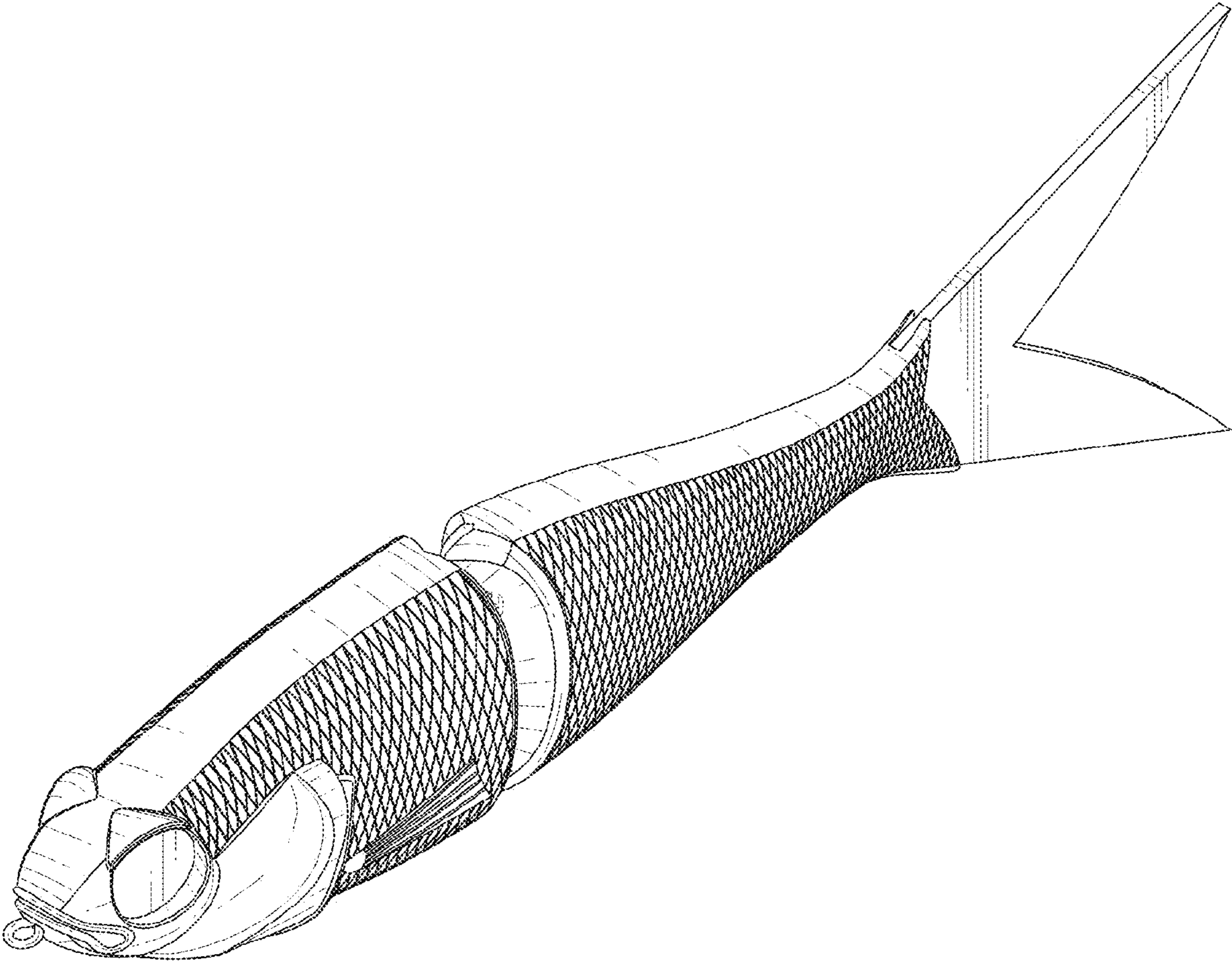


FIG. 1

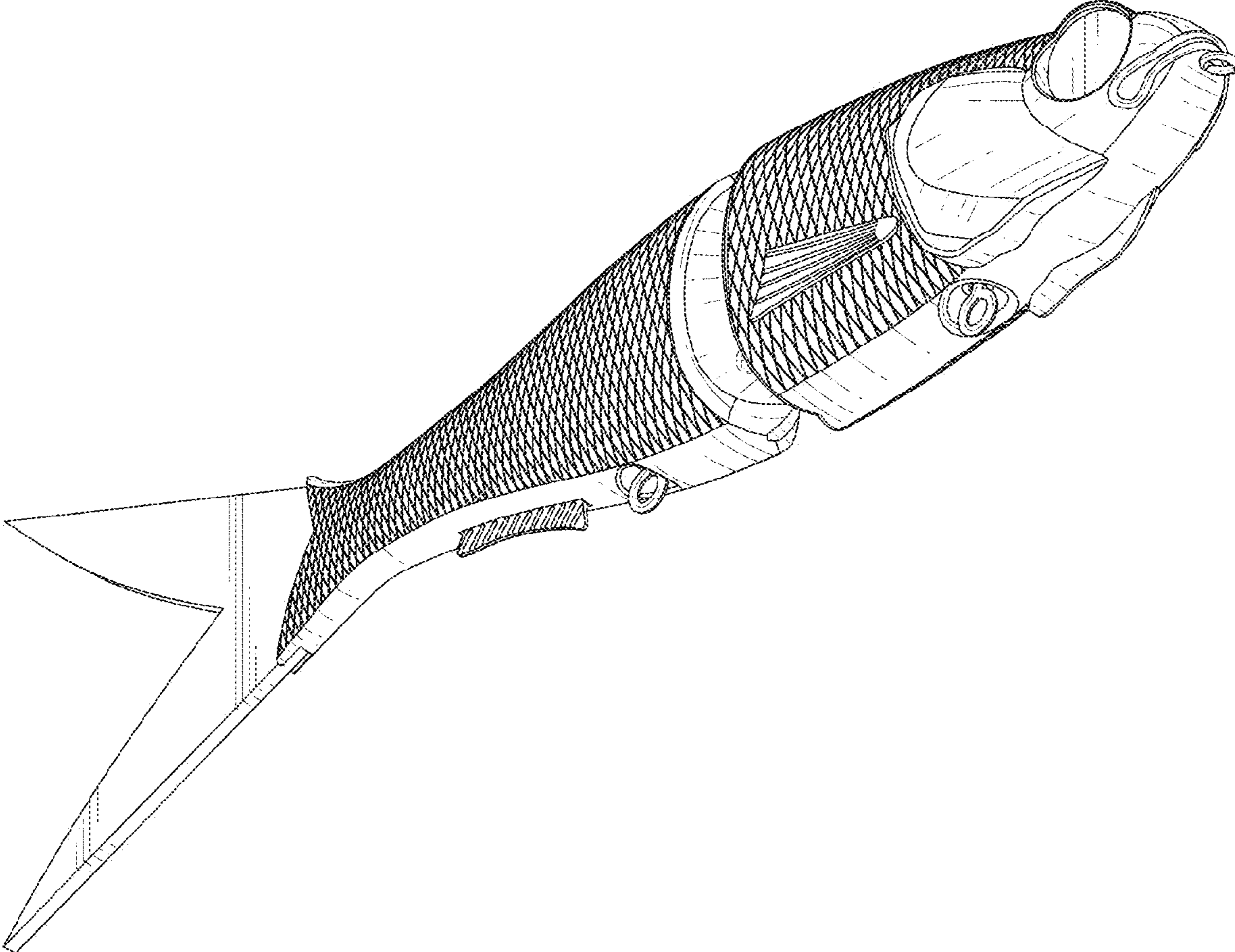


FIG. 2

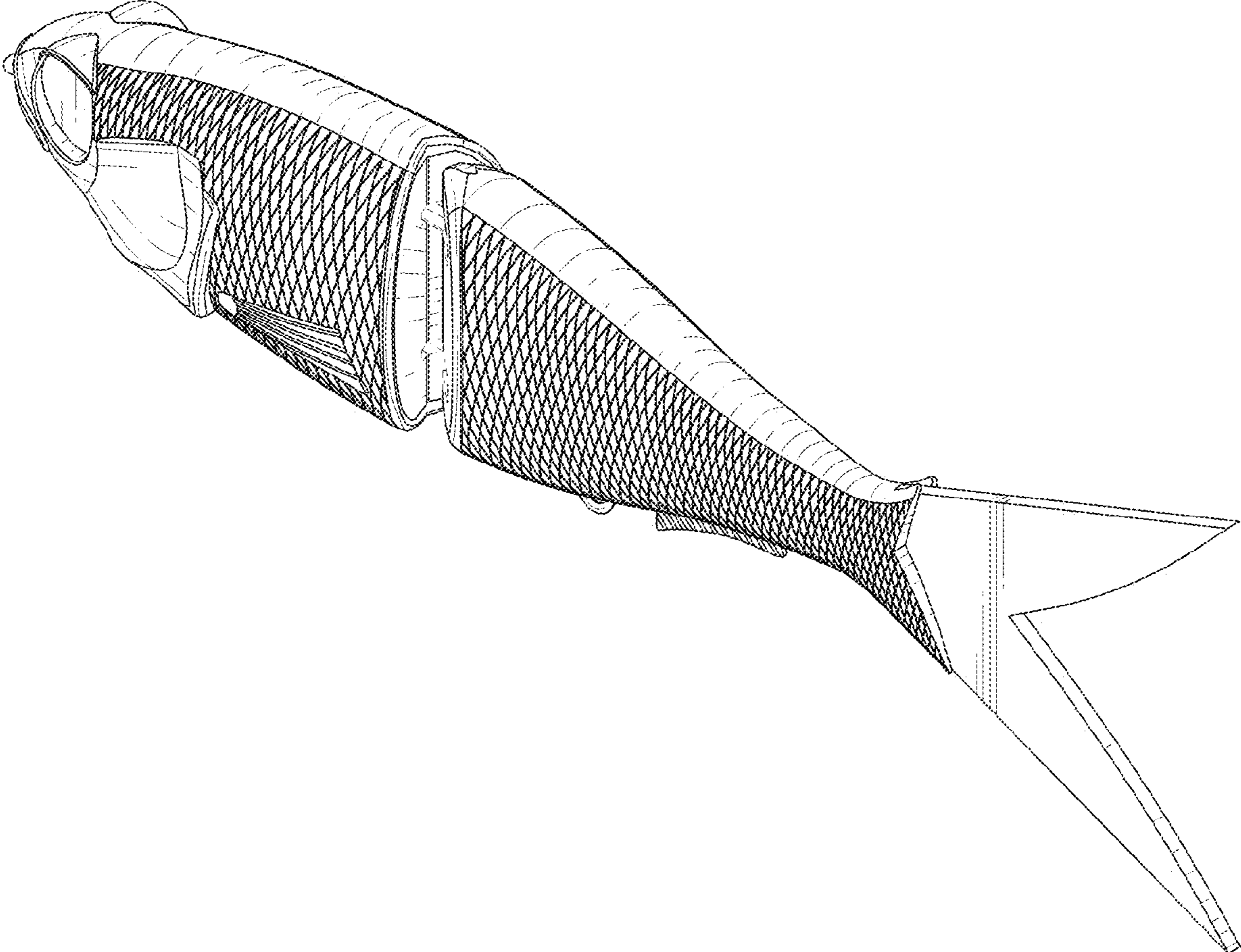


FIG. 3

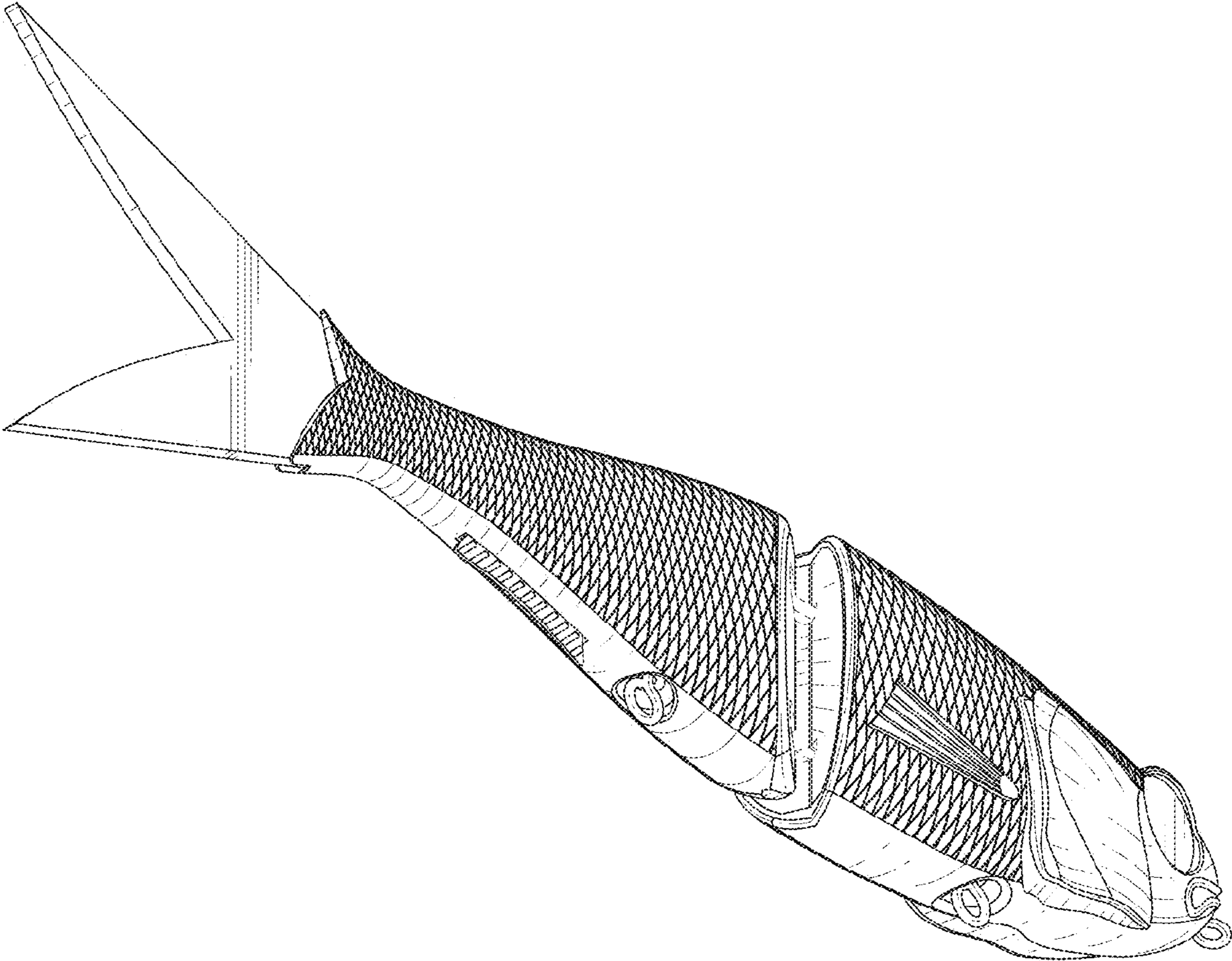


FIG. 4

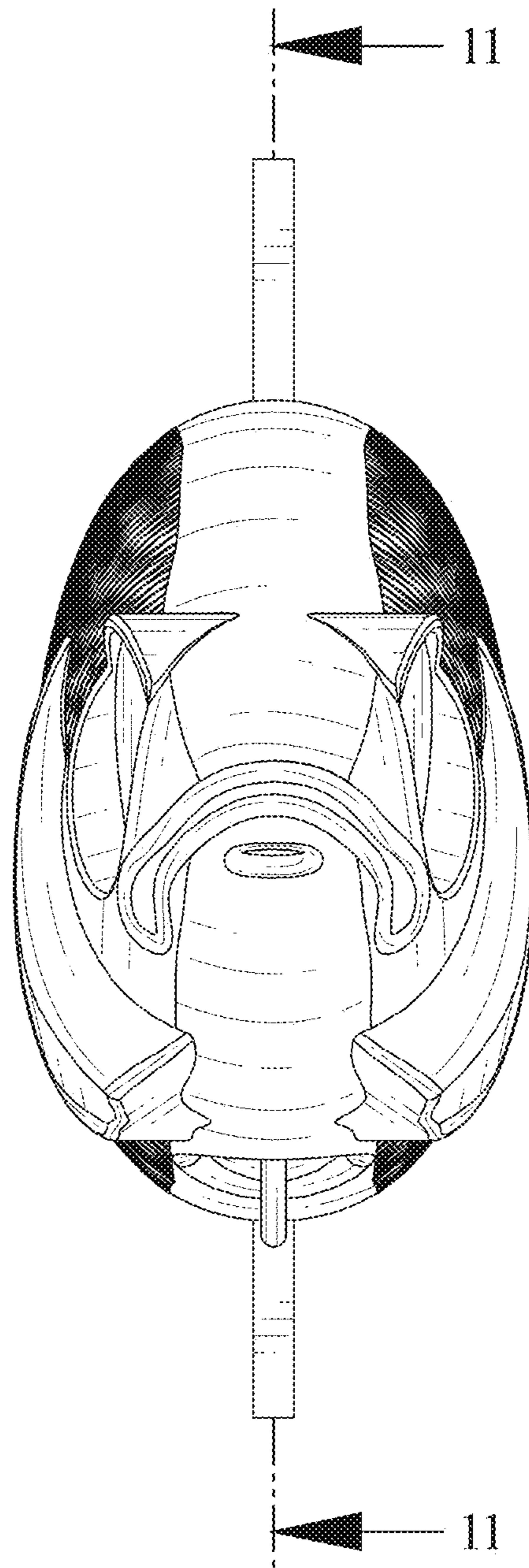


FIG. 5

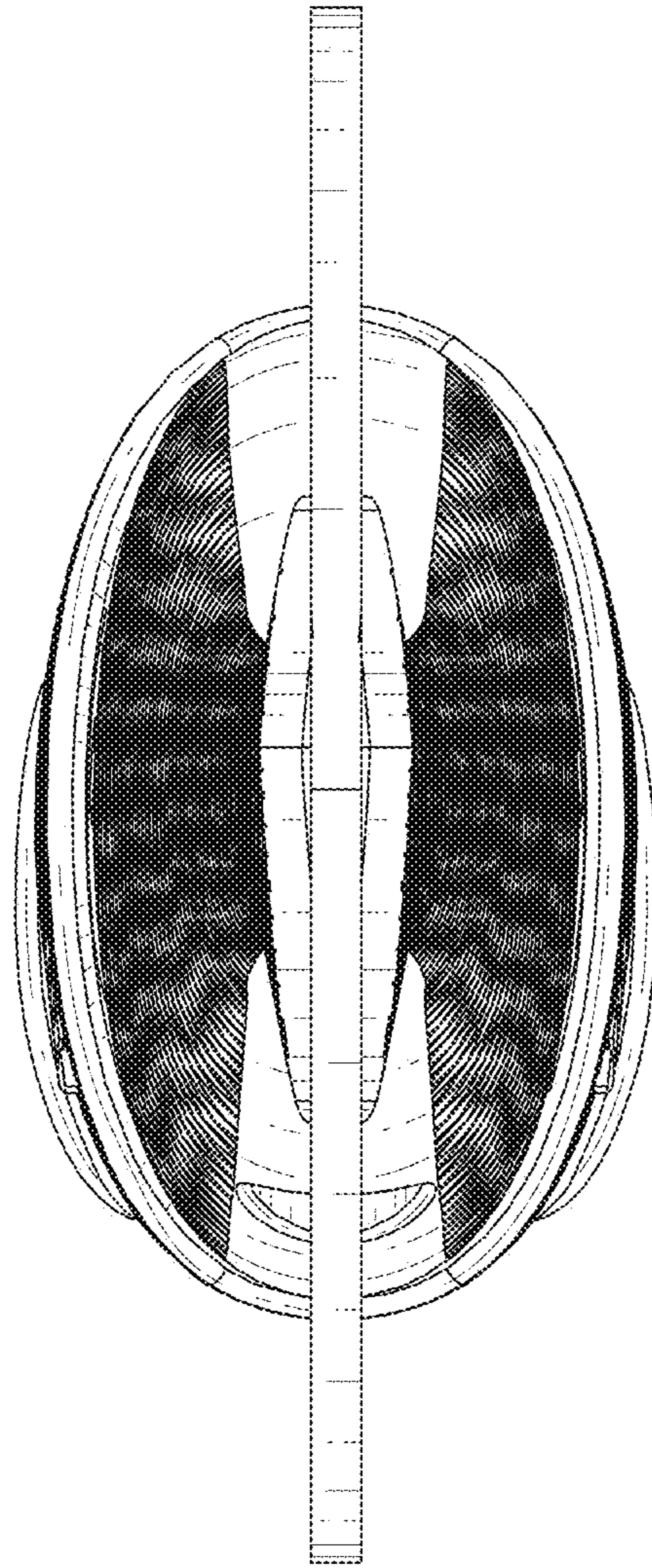


FIG. 6

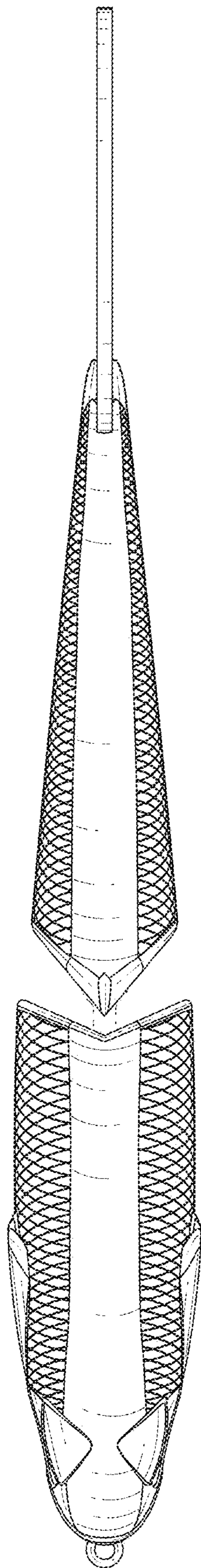


FIG. 7

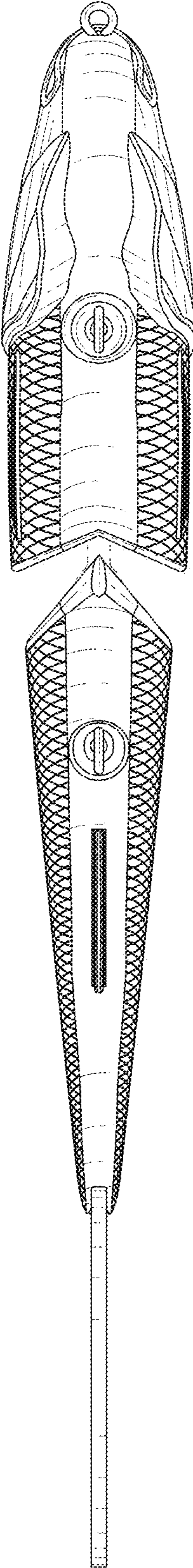


FIG. 8

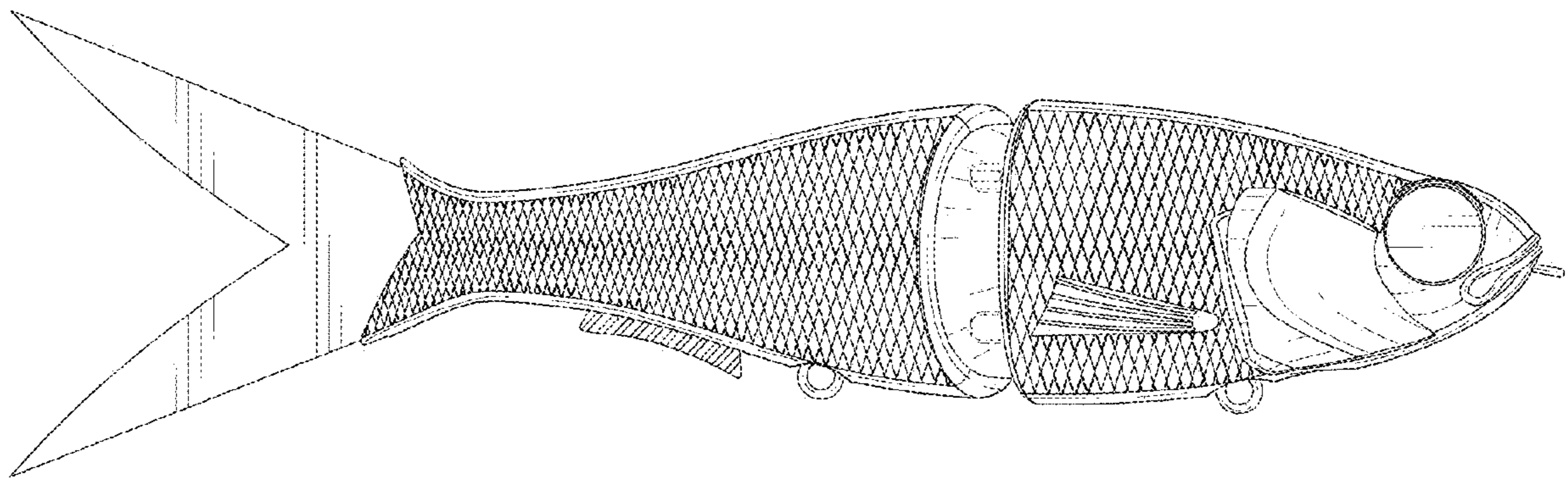


FIG. 9

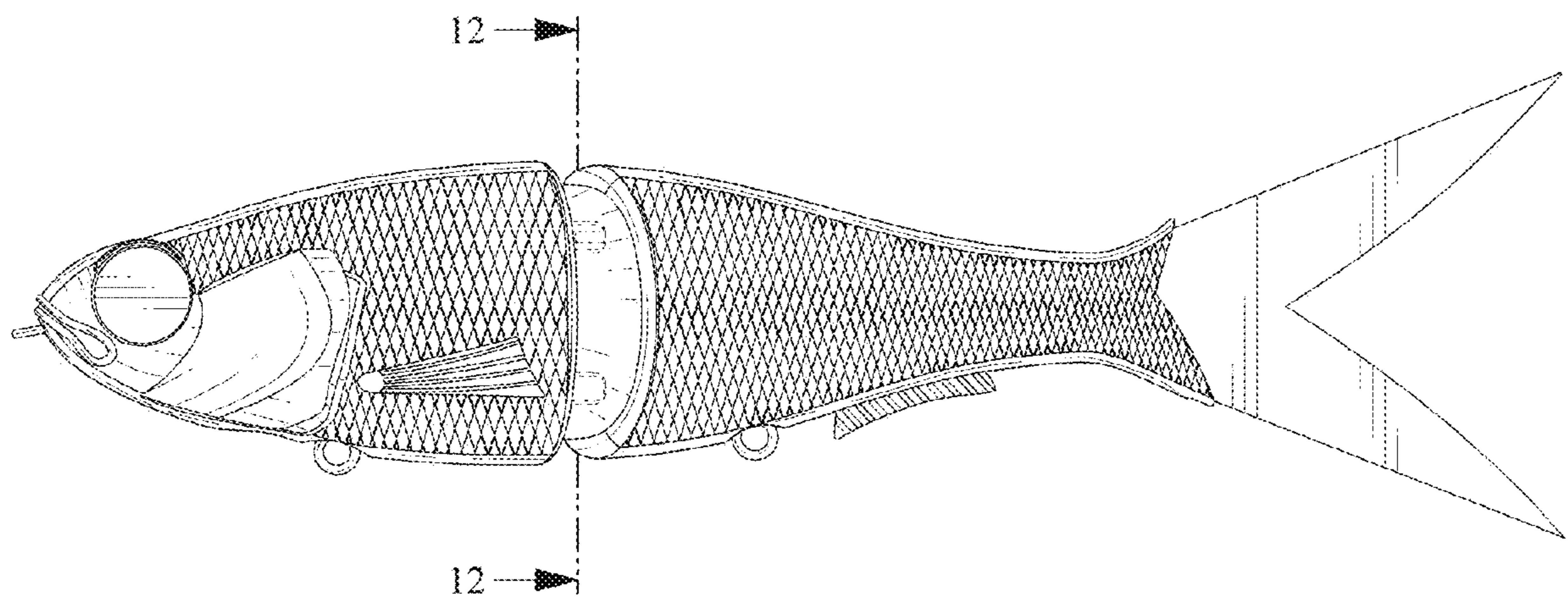


FIG. 10

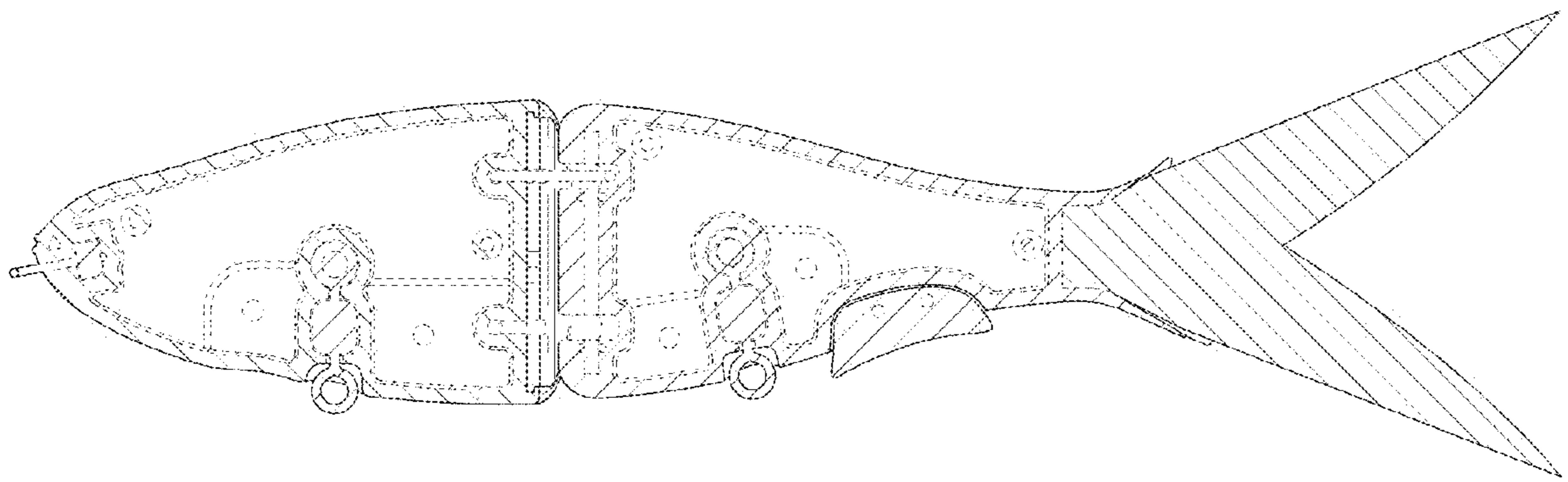


FIG. 11

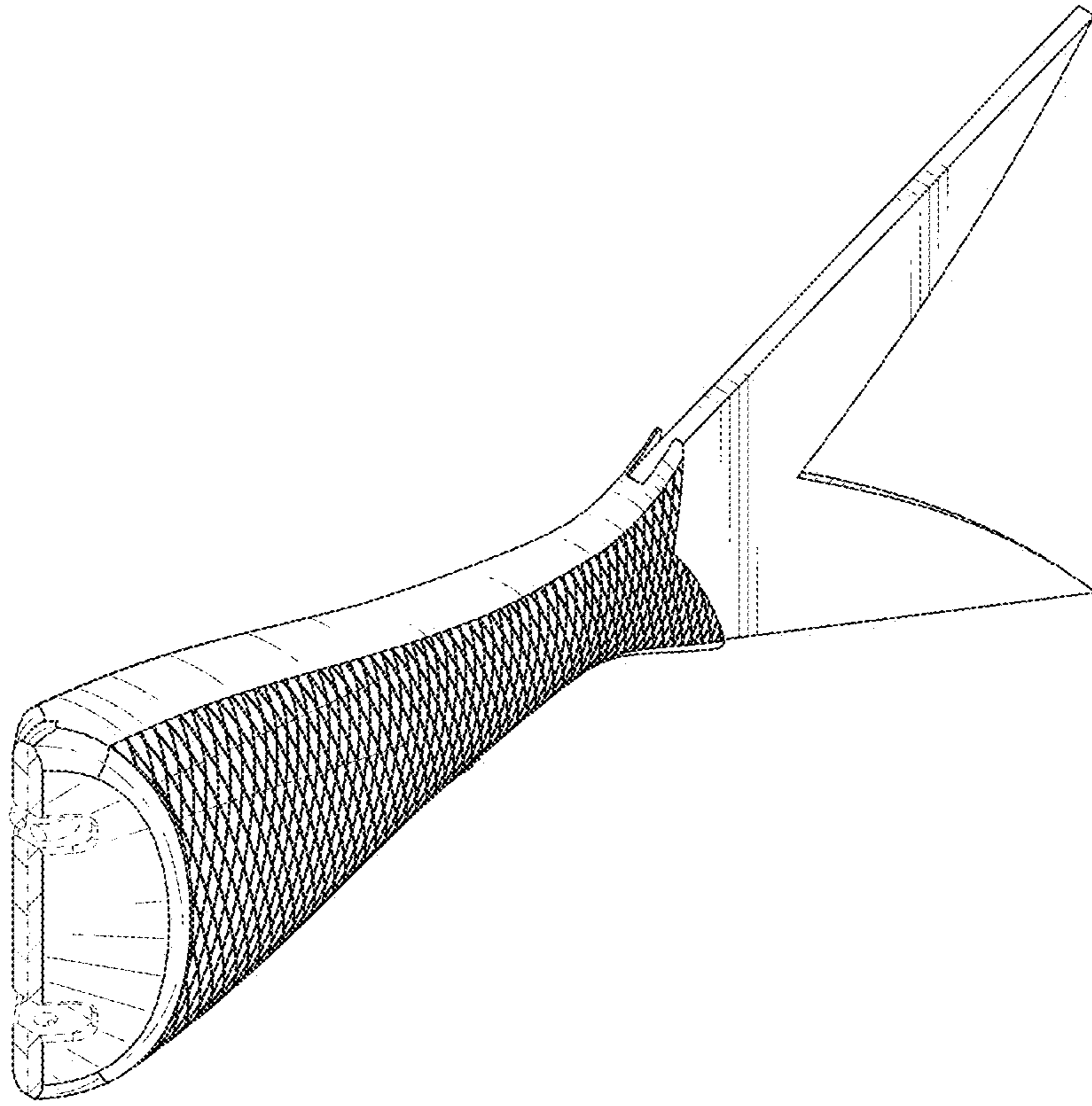


FIG. 12