



US0D1049262S

(12) **United States Design Patent** (10) **Patent No.:** **US D1,049,262 S**
Wood et al. (45) **Date of Patent:** **** Oct. 29, 2024**

(54) **MODEL VEHICLE AXLE CARRIER**

FOREIGN PATENT DOCUMENTS

(71) Applicant: **TRAXXAS, L.P.**, McKinney, TX (US)

DE 102008057196 A1 7/2009
EM 007721154-0004 3/2020

(72) Inventors: **Jonathan Scott Wood**, Campbell, CA (US); **Trent Collins**, McKinney, TX (US); **Otto Karl Allmendinger**, Rowlett, TX (US); **Adam Cole Ewing**, McKinney, TX (US)

(Continued)

(73) Assignee: **TRAXXAS, L.P.**, McKinney, TX (US)

OTHER PUBLICATIONS

(**) Term: **15 Years**

Carriers, stub axle, 6061-T6 aluminum, posted date unknown [online], [retrieved Jul. 5, 2024]. Retrieved from internet, <https://traxxas.com/products/parts/9552T> (Year: 2024).*

(21) Appl. No.: **29/829,414**

Primary Examiner — Darlington Ly

(22) Filed: **Mar. 4, 2022**

Assistant Examiner — Jeremy Koenig

(51) **LOC (14) Cl.** **21-01**

(74) *Attorney, Agent, or Firm* — Daryl R. Wright; Greg Carr

(52) **U.S. Cl.**

USPC **D21/562**

(58) **Field of Classification Search**

USPC D12/133, 159, 160, 161, 162, 177, 180,
D12/223, 400; D21/424, 433, 548, 549,
D21/550, 561, 562, 581

CPC A63H 17/002; A63H 17/004; A63H 17/26;
A63H 17/262; B60B 35/00; B60B 35/14;
B60B 35/16

See application file for complete search history.

(57) **CLAIM**

The ornamental design for a model vehicle axle carrier as shown and described.

(56) **References Cited**

U.S. PATENT DOCUMENTS

1,377,905 A	5/1921	Martz
1,455,706 A	5/1923	Bower et al.
2,041,992 A	5/1936	Noel
2,083,085 A	6/1937	Palmer
2,132,545 A	10/1938	Smith
2,547,435 A	4/1951	Bouchard
3,306,077 A	2/1967	Piatti
3,333,654 A	8/1967	Price-Stephens
3,767,221 A	10/1973	Asberg
D242,442 S	11/1976	Garrison
D246,921 S	1/1978	Moline

(Continued)

DESCRIPTION

FIG. 1 is an upper, left, front perspective view, to include the mirror image, of a model vehicle axle carrier showing our new design;

FIG. 2 is an upper, right, rear perspective view thereof;

FIG. 3 is a left side elevation view thereof;

FIG. 4 is a right side elevation view thereof;

FIG. 5 is a front elevation view thereof;

FIG. 6 is a rear elevation view thereof;

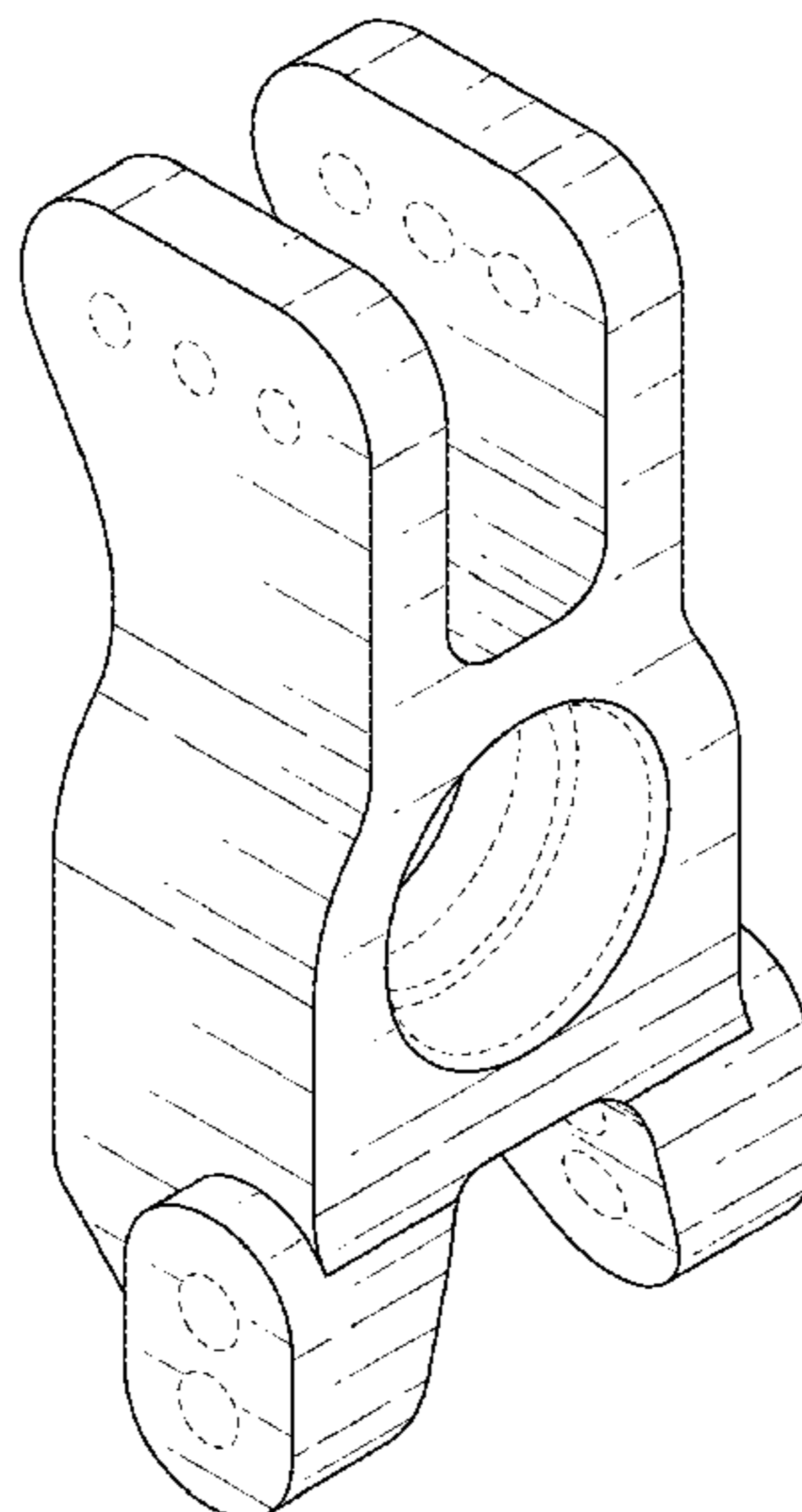
FIG. 7 is an upper plan view thereof;

FIG. 8 is a lower plan view thereof; and,

FIG. 9 is a lower, left, rear perspective view of a model vehicle axle carrier.

In the drawings, the broken lines illustrate portions of the model vehicle axle carrier that form no part of the claimed design.

1 Claim, 5 Drawing Sheets



(56)

References Cited

U.S. PATENT DOCUMENTS

4,509,932 A 4/1985 Weible
 4,632,203 A 12/1986 Krude
 4,690,656 A 9/1987 Friedman et al.
 D304,472 S 11/1989 Poulsen
 D304,473 S 11/1989 Poulsen
 D311,942 S 11/1990 Dideriksen
 D327,280 S 6/1992 Macomber
 D332,978 S 2/1993 Tsuchiya
 D341,560 S 11/1993 Fabris et al.
 5,338,247 A 8/1994 Miles
 5,498,208 A 3/1996 Braun
 5,516,130 A 5/1996 Mitchell
 D385,835 S 11/1997 Webster
 D403,023 S 12/1998 Araki
 5,954,586 A 9/1999 Kirson
 D424,988 S 5/2000 Rothlisberger
 6,394,878 B1 5/2002 Wang
 6,416,136 B1 7/2002 Smith
 6,478,709 B1 11/2002 Irwin et al.
 6,513,614 B2 2/2003 Knutson et al.
 6,773,353 B2 8/2004 Cornay et al.
 6,779,755 B1 8/2004 Thomsen
 6,796,404 B1 9/2004 Dick, Jr. et al.
 6,820,707 B1 11/2004 Cantemir
 D516,582 S 3/2006 Giddens
 7,144,326 B2 12/2006 Thompson
 D605,985 S 12/2009 Pennala
 7,690,660 B2 4/2010 Dudding et al.
 7,810,604 B2 10/2010 Byers et al.
 7,841,923 B2 11/2010 Marzetta et al.
 D677,608 S * 3/2013 Kientzy D12/162
 D686,677 S 7/2013 Simonds
 D686,952 S 7/2013 Rau et al.
 8,540,260 B1 9/2013 Batdorf et al.
 8,574,022 B2 11/2013 Grisolia et al.
 D717,216 S 11/2014 Dunn et al.
 8,893,364 B2 11/2014 Rode
 D788,653 S 6/2017 Smith
 D798,906 S 10/2017 Bennett et al.
 D799,552 S 10/2017 McGinley
 D822,125 S 7/2018 Ewing et al.
 D826,340 S 8/2018 Ewing et al.
 D840,282 S * 2/2019 Coste D12/162
 D843,273 S * 3/2019 Audley-Coote D12/159
 D845,398 S 4/2019 Wood
 D845,842 S 4/2019 Sun
 D847,911 S 5/2019 Wood
 D847,912 S 5/2019 Wood
 D866,683 S 11/2019 Ewing et al.
 D868,171 S 11/2019 Wood
 D869,348 S 12/2019 Kucharski
 D871,273 S 12/2019 Bhaskar
 D878,974 S 3/2020 McGaughy
 D880,279 S * 4/2020 Marchesan D8/354
 D880,375 S 4/2020 McGaughy
 D887,359 S 6/2020 McCoy, Jr.
 D891,998 S 8/2020 Smith
 D900,250 S 10/2020 Ewing et al.
 D902,089 S * 11/2020 Ewing D12/159
 D902,091 S * 11/2020 Ewing D12/159
 D904,532 S * 12/2020 Ewing D21/561
 D905,799 S * 12/2020 Ewing D12/159
 D913,166 S 3/2021 Kiska
 D923,115 S * 6/2021 Ewing D21/562
 D923,116 S * 6/2021 Ewing D21/562
 D923,722 S * 6/2021 Ewing D21/562
 D931,151 S * 9/2021 Wade D12/159
 D944,901 S * 3/2022 Ewing D21/562
 D945,488 S 3/2022 Mathura
 D945,897 S 3/2022 Brumbach
 D947,290 S * 3/2022 Christensen D12/159
 D947,958 S * 4/2022 Christensen D12/159
 D947,959 S * 4/2022 Christensen D12/159
 D951,150 S 5/2022 Ewing et al.
 D951,299 S 5/2022 Nyren

D954,610 S 6/2022 Owens et al.
 D954,611 S 6/2022 Owens et al.
 D954,612 S 6/2022 Owens et al.
 11,378,176 B2 7/2022 Fast
 D961,690 S * 8/2022 Ewing D21/561
 D996,528 S * 8/2023 Christensen D21/562
 D1,014,657 S 2/2024 Christensen et al.
 D1,014,658 S * 2/2024 Christensen D12/159
 D1,032,424 S * 6/2024 Smith B60G 15/062
 D12/159
 2002/0065021 A1 5/2002 Wang
 2002/0077025 A1 6/2002 Wu
 2002/0160688 A1 10/2002 Rehkemper et al.
 2002/0165031 A1 11/2002 Riefe
 2003/0110885 A1 6/2003 Beutler
 2004/0005931 A1 1/2004 Wang et al.
 2004/0231910 A1 11/2004 Mercier et al.
 2005/0156399 A1 7/2005 Chu
 2005/0206222 A1 9/2005 Swanson
 2006/0240897 A1 10/2006 Carlini et al.
 2007/0256659 A1 11/2007 Anderson et al.
 2007/0293328 A1 12/2007 Mazziotti
 2008/0238015 A1 10/2008 Duddling et al.
 2008/0303227 A1 12/2008 Chi Chun Idiot
 2009/0020973 A1 1/2009 Richardson
 2009/0029821 A1 1/2009 Martin, III et al.
 2009/0039700 A1 2/2009 Gradu et al.
 2009/0173033 A1 7/2009 Baxter, Jr.
 2011/0001350 A1 1/2011 Schmitz et al.
 2011/0057408 A1 3/2011 Koschinat
 2011/0079978 A1 4/2011 Schreiner et al.
 2011/0315468 A1 12/2011 Sellars et al.
 2013/0278047 A1 10/2013 Gottschalk
 2014/0361507 A1 12/2014 Park et al.
 2015/0191064 A1 7/2015 Gielisch et al.
 2015/0266350 A1 9/2015 Morino
 2016/0046151 A1 2/2016 Kelly et al.
 2016/0167432 A1 6/2016 Szczepanski
 2016/0169367 A1 6/2016 Orr et al.
 2017/0028517 A1 2/2017 Ferrari
 2017/0050483 A1 2/2017 Gordon et al.
 2017/0370465 A1 12/2017 Fast et al.
 2019/0030700 A1 1/2019 Huang
 2019/0054818 A1 2/2019 Garcia et al.
 2019/0210661 A1 7/2019 Cao et al.
 2020/0164708 A1 5/2020 Lim et al.
 2020/0198426 A1 6/2020 Rosene et al.
 2020/0282792 A1 9/2020 Hafele et al.
 2023/0219010 A1 7/2023 Christensen et al.
 2024/0115964 A1 4/2024 Christensen et al.
 2024/0115965 A1 4/2024 Christensen et al.

FOREIGN PATENT DOCUMENTS

EM 007721154-0006 3/2020
 GB 6228967 * 10/2022
 TW 179940-0001 12/2016
 WO D095551-013 4/2017
 WO D095551-014 4/2017
 WO D095551-016 4/2017

OTHER PUBLICATIONS

RiToEasysports 2Pcs RC Rear Axle Carrier, posted date unknown [online], [retrieved xx/xx/xx]. Retrieved from internet, https://www.amazon.com/RiToEasysports-Carrier-Aluminum-Alloy-Compatible/dp/B09JGDWWSK/ref=sr_1_28 (Year: 2024).
 Traxxas TRX-4M Axle Cover (Black Chrome), Amain Hobbies Webpage [online], [Site Visit Nov. 20, 2023], URL: https://www.ainhobbies.com/traxxas-trx4m-axle-cover-black-chrome-2-tra9738-blkcr/p1451999?gclid=EAlalQobChMlnZan4p3TggMV-TWtBh3KAA8AEAkYAiABEgKPqPD_BwE (Year: 2023).
 TRA9738-Red TRX-4M Axle Cover Front or Rear (Traxxas), Michael's RC Hobbies Webpage [online], [Site Visit Nov. 20, 2023], URL: <https://www.michaelsrchobbies.com/tra9738-red-trx-4m-axle-cover-front-or-rear-red-2.html> (Year: 2023).

(56)

References Cited

OTHER PUBLICATIONS

Chen, Xingyu; U.S. Pat. No. D. 1,002,447; Axle Housing; Oct. 24, 2023.

Carriers stub axle, First Date Available: Unknown, Imaged retrieved on: Jun. 3, 2023, <<https://traxxas.com/products/parts/9552>>.

Palumma RC Gearbox Cover, available in Amazon.com, date first available Jun. 9, 2023 [online], [site visited Apr. 16, 2024], Available from the internet URL: https://www.amazon.com/Palumma-Gearbox-Aluminum-Transmission-Differential/dp/B0C7JW49ZB/ref=sr_1_6?crd=30VAI2L9URG6D&dib=eyJ2ljojMSJ9._JgbGBev5Lj (Year: 2023).

Ewing, Adam Cole, et al.; U.S. Pat. No. D. 1,018,382; Model Vehicle Differential Cover; Mar. 19, 2024.

Collins, Trent, et al.; U.S. Pat. No. D. 1,019,480; Model Vehicle Differential Cover; Mar. 26, 2024.

Axial; Axial SCX10 II; Aug. 2016.

Bomber; Bomber Fabrication Gusset Kit; Aug. 2016.

Wikipedia; Dana 44 Axle; Aug. 2016.

Reid Racing; Reid Racing Axle Products; Aug. 2016.

Currie; Currie RockJock 79 Axle; Aug. 2016.

XRay Model Racing Cars; "TIR Raycer-Instruction Manual;" Xray Model Racing Cars, Trencin, Slovak Republic, Europe (admitted prior art).

Traxxas; "T-Maxx Assemblies-Front Assembly;" Traxxas LP, Plano, Texas (admitted prior art).

Traxxas Rear Stub Axle Carrier (1.5 Degree), Earliest Available Date Oct. 29, 2007 [Online], [Site Visited Oct. 28, 2020] Available From Internet, URL: <https://www.amainhobbies.com/traxxas-rear-stub-axle-carrier-1.5-degree-tra4352/b17759?gclid=EAl1QobChMlyY7Ak_TX7AIVWQilCR1dzw2fEAQYBCABEgL99vD_BwE> (Year: 2007).

Axle Bearing Carrier Suzuki LTZ400 Kawasaki KFX400 Arctic DVX400, Earliest Available Date Jun. 13, 2018 [Online], [Site Visited Oct. 28, 2020] Available From Internet, URL: <<https://www.amazon.com/Bearing-Carrier-SUZUKI-LTZ400-KAWASAKI/dp/B07F22WBPJ>> (Year: 2018).

Traxxas C-Hubs, Published date unavailable [online], [retrieved on Feb. 5, 2022]. Retrieved from the Internet: <https://www.rcsuperstore.com/traxxas-caster-blocks-c-hubs-left-right-slash-4x4/> (Year: 2022).

Traxxas Rear Stub Axle Carrier, Published date unavailable [online], [retrieved on Feb. 5, 2022]. Retrieved from the Internet: <https://www.rcmart.com/traxxas-rear-left-and-right-stub-axle-carrier-for-jato-5555-00036488> (Year: 2022).

Traxxas Sledge Left & Right Steering Blocks, as shown in www.hobbytown.com, Jul. 27, 2022, Part # TRA9537. (Year: 2022).

Traxxas Sledge Caster Blocks L/R w/ Kingpin Bushings, as shown in www.hobbytown.com, Jul. 5, 2022, Part # TRA9532. (Year: 2022).

Traxxas XRT Steering Blocks (2), as shown in www.hobbytown.com, May 16, 2023, Part # TRA7836. (Year: 2023).

Arrma 4S Blx Steering Block (2), as shown in www.hobbytown.com, Jul. 16, 2019, Part # ARA330523. (Year: 2019).

RPM Oversized Front Axle Carriers for Traxxas X-Maxx w/Bearings (2), as shown in www.amainhobbies.com, Jan. 18, 2021, Part # RPM80662. (Year: 2021).

Aluminum Alloy Front Hubs Steering Blocks for Traxxas X-MAXX 1/5 Scale RC Car Upgrade Parts (Red), ZXYRC Store, as shown in www.amazon.com, Apr. 10, 2022. (Year: 2022).

Traxxas 7836-Gray Steering Blocks Alum Gray, as shown in www.rc-powerhouse.com, no date listed, date found Jun. 18, 2024. (Year: 2024).

Traxxas XRT Caster Blocks (2), as shown in www.hobbytown.com, May 16, 2023, Part # TRA7832. (Year: 2023).

Hot Racing Aluminum Rear Hubs w/Over Size Bearings for Traxxas X-Maxx/XRT, as shown in www.amainhobbies.com, Apr. 9, 2024, Part # HRAXMX22M01. (Year: 2024).

Hot Racing Aluminum C-Hub Caster Blocks for Traxxas Maxx (Black) (2), as shown in www.hobbytown.com, May 4, 2021, Part # HRAMXX1901. (Year: 2021).

Yokomo Graphite Front Steering Hub Carrier (4°) (-Imm Tread) (Hard Type), as shown in www.hobbytown.com, Jan. 30, 2018, Part # YOKB8-413GH1. (Year: 2018).

Traxxas Rear Stub Axle Carriers (2), as shown in www.hobbytown.com, May 16, 2023, Part # TRA7852. (Year: 2023).

Measjimi Brand, 2pcs Alloy Rear Stub Axle Hub Carrier 7752 for RC Hobby Car 1/5 1/6 X-MAXX (Red), as shown in www.amazon.com, No. date listed, Jun. 17, 2024, date found, Asin B09MH1V2Q. (Year: 2024).

Weiqian brand, 1 Pair RC Rear Hub Carrier Portable Flexible CNC Aluminum Alloy Rear Stub Axle Carrier Replacement for TRAXXAS 1/5 Black, as shown in www.walmart.com, no date listed, Jun. 17, 2024, date found. (Year: 2024).

RPM Oversized Rear Axle Carriers for Traxxas X-Maxx, as shown in www.hobbytown.com, Sep. 27, 2016, Part # RPM81732. (Year: 2016).

GLOBACT Brass LCG Heavy Weight Caster Blocks Portal Drive C-Hubs 84g Counterweight for 1/10 TRX4 TRX6 Rc Crawler Car Upgrades Parts (2PCS), as shown in www.amazon.com, Aug. 9, 2023, Asin BOC9SWT276. (Year: 2023).

* cited by examiner

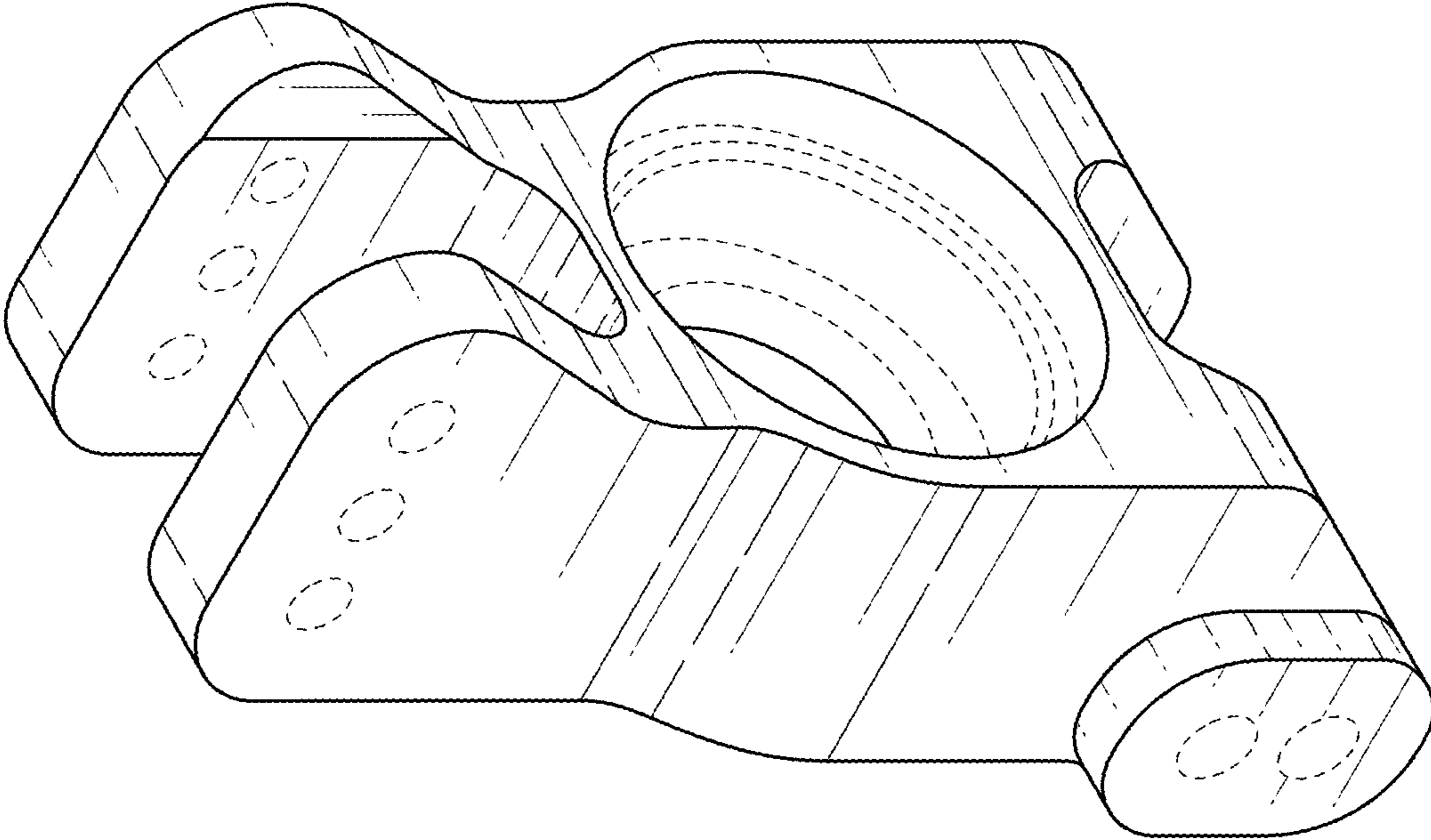


FIG. 2

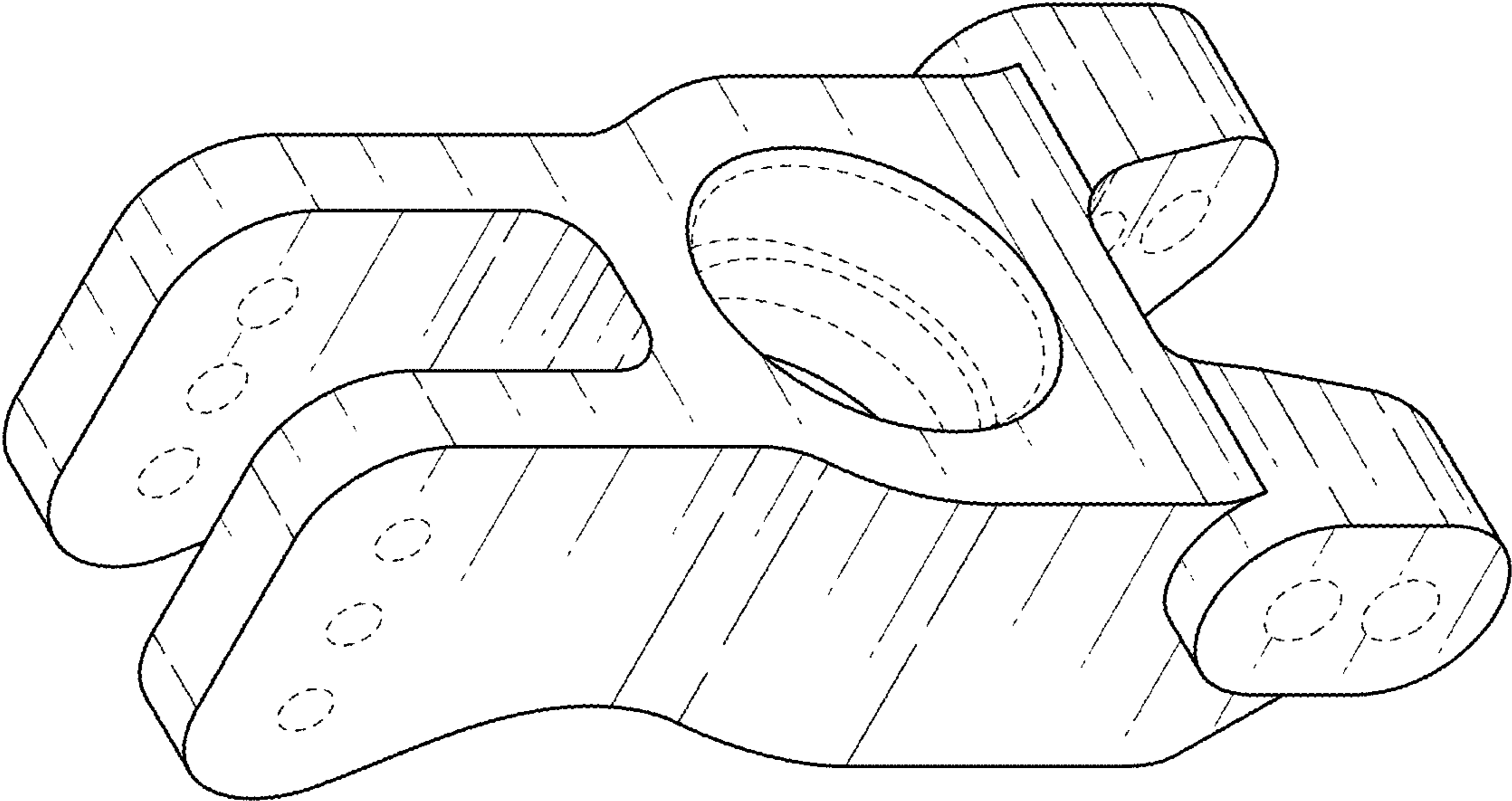


FIG. 1

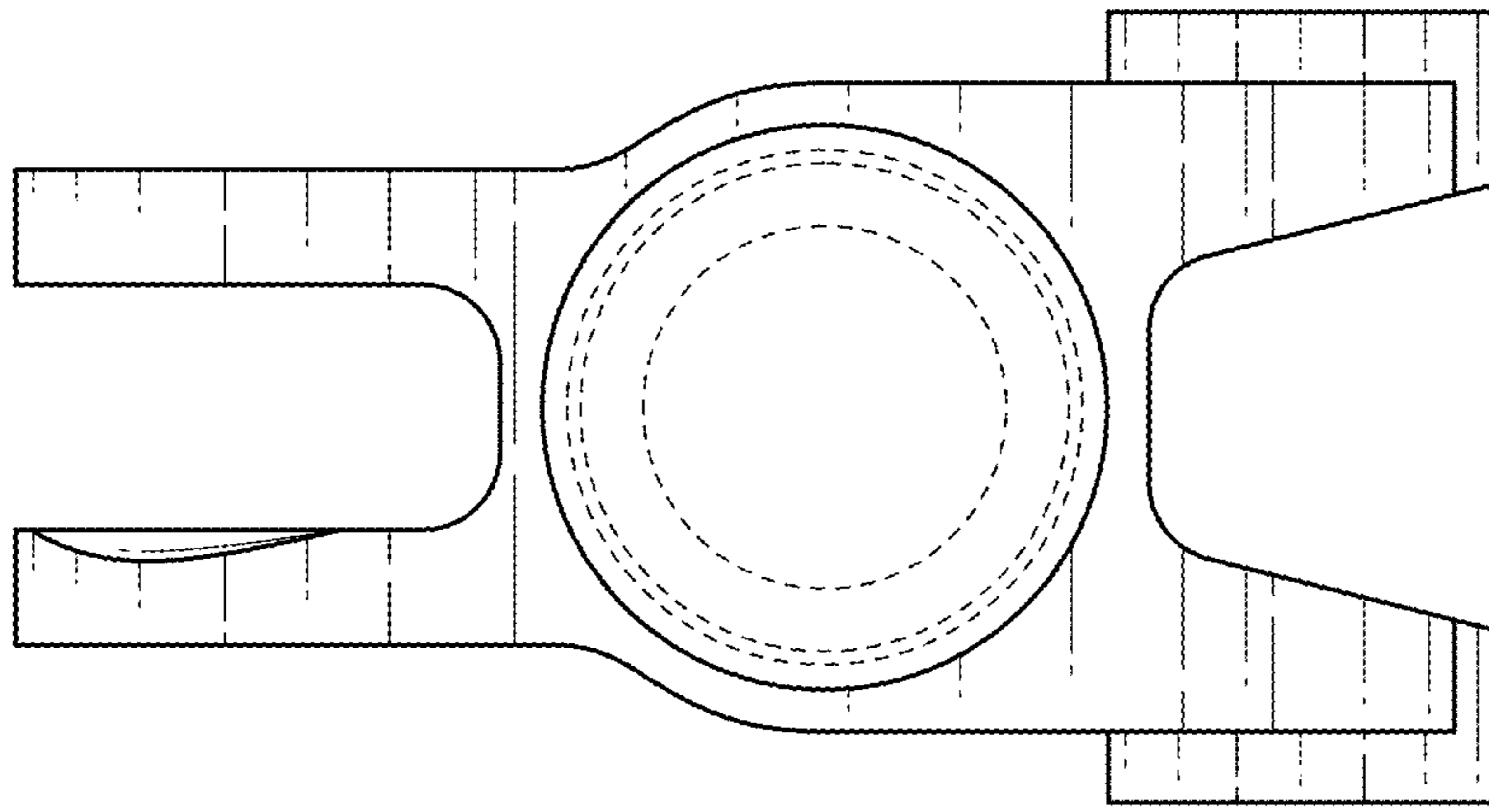


FIG. 4

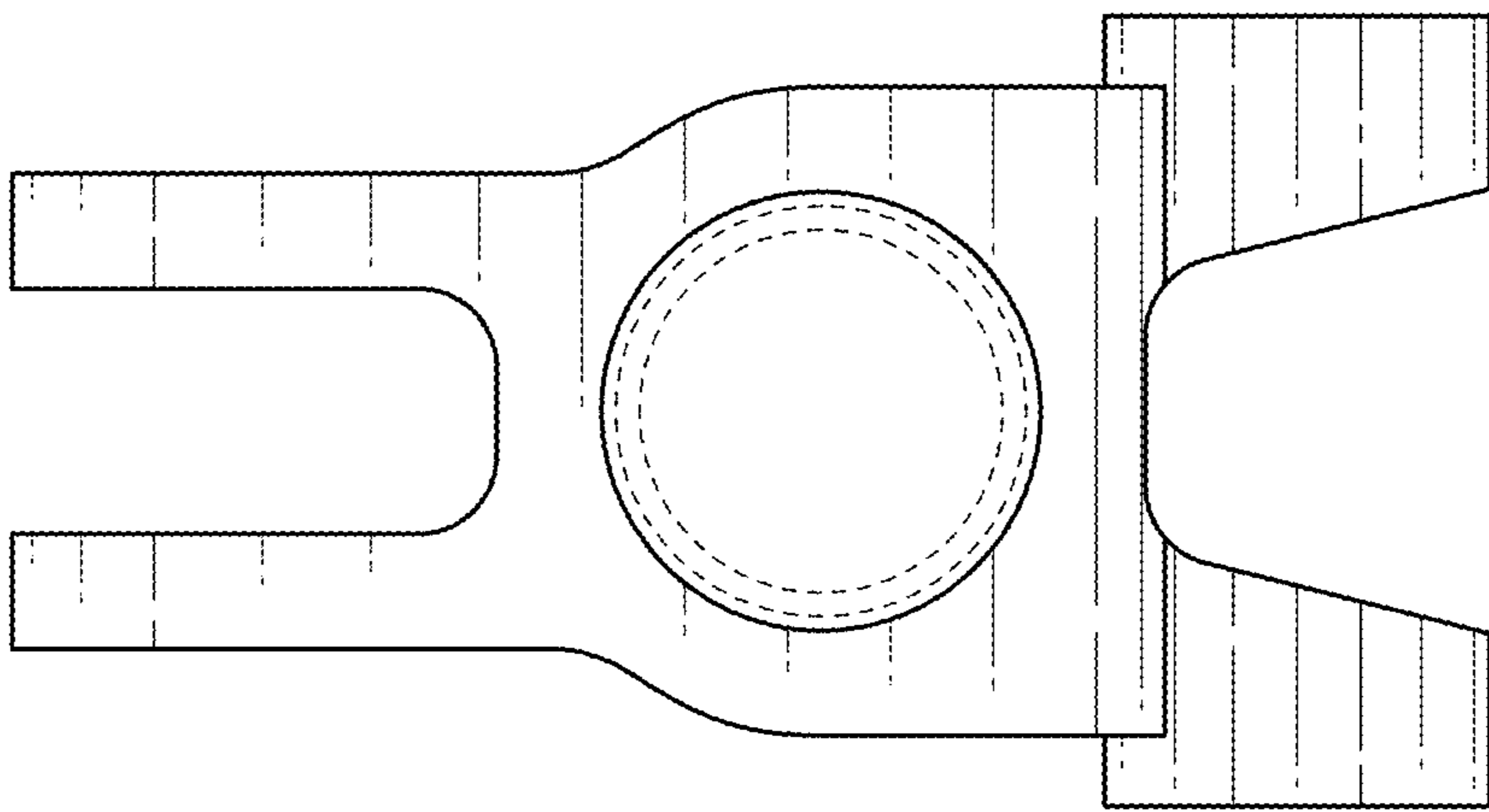


FIG. 3

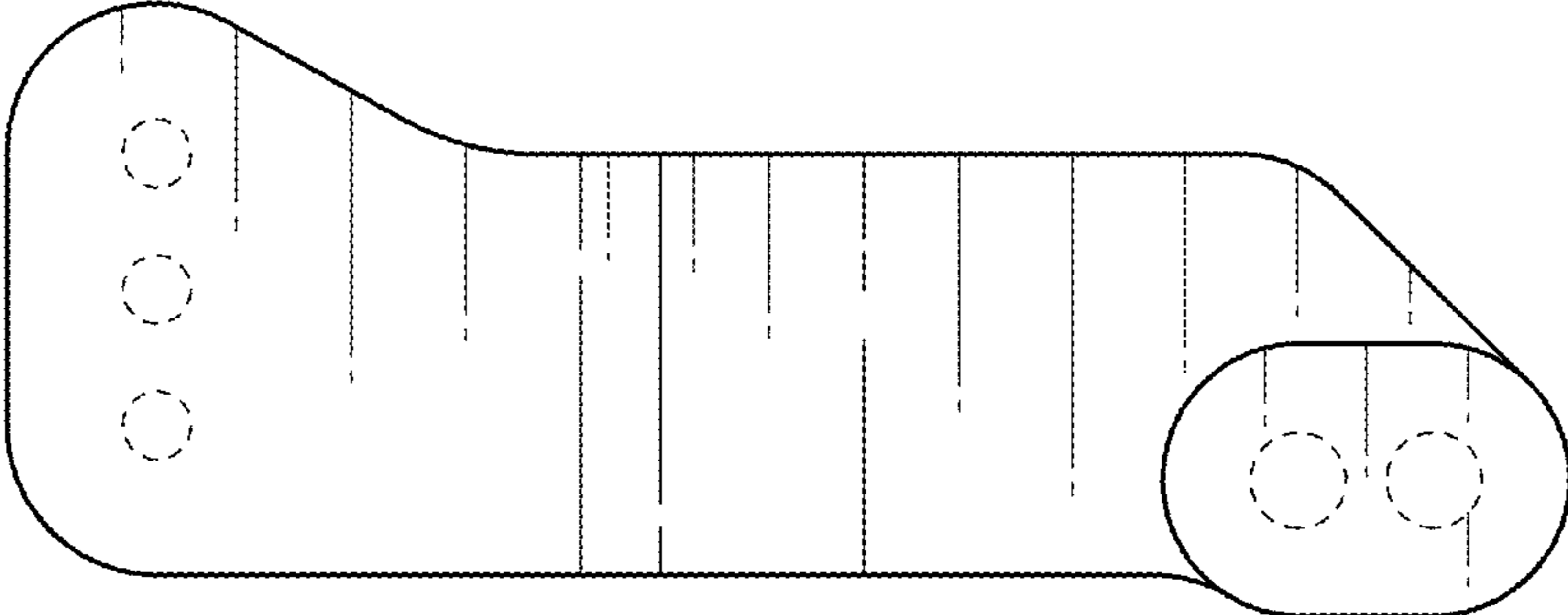


FIG. 5

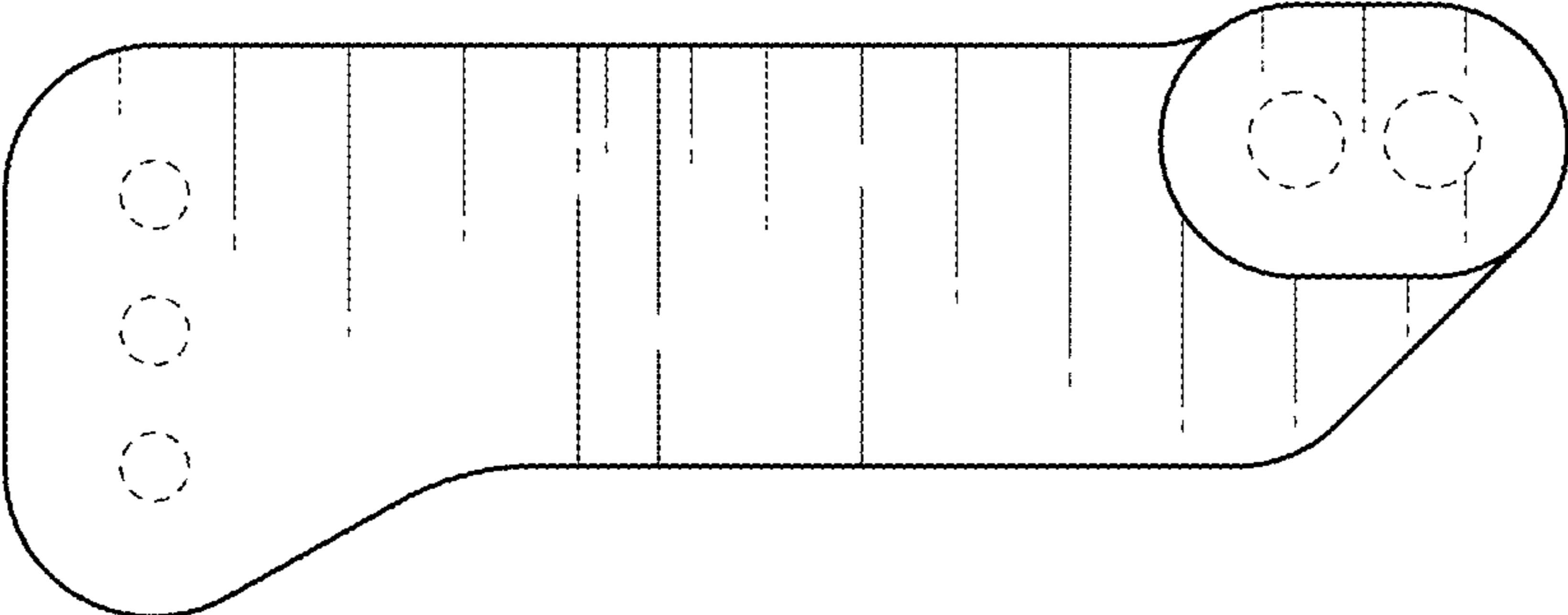


FIG. 6

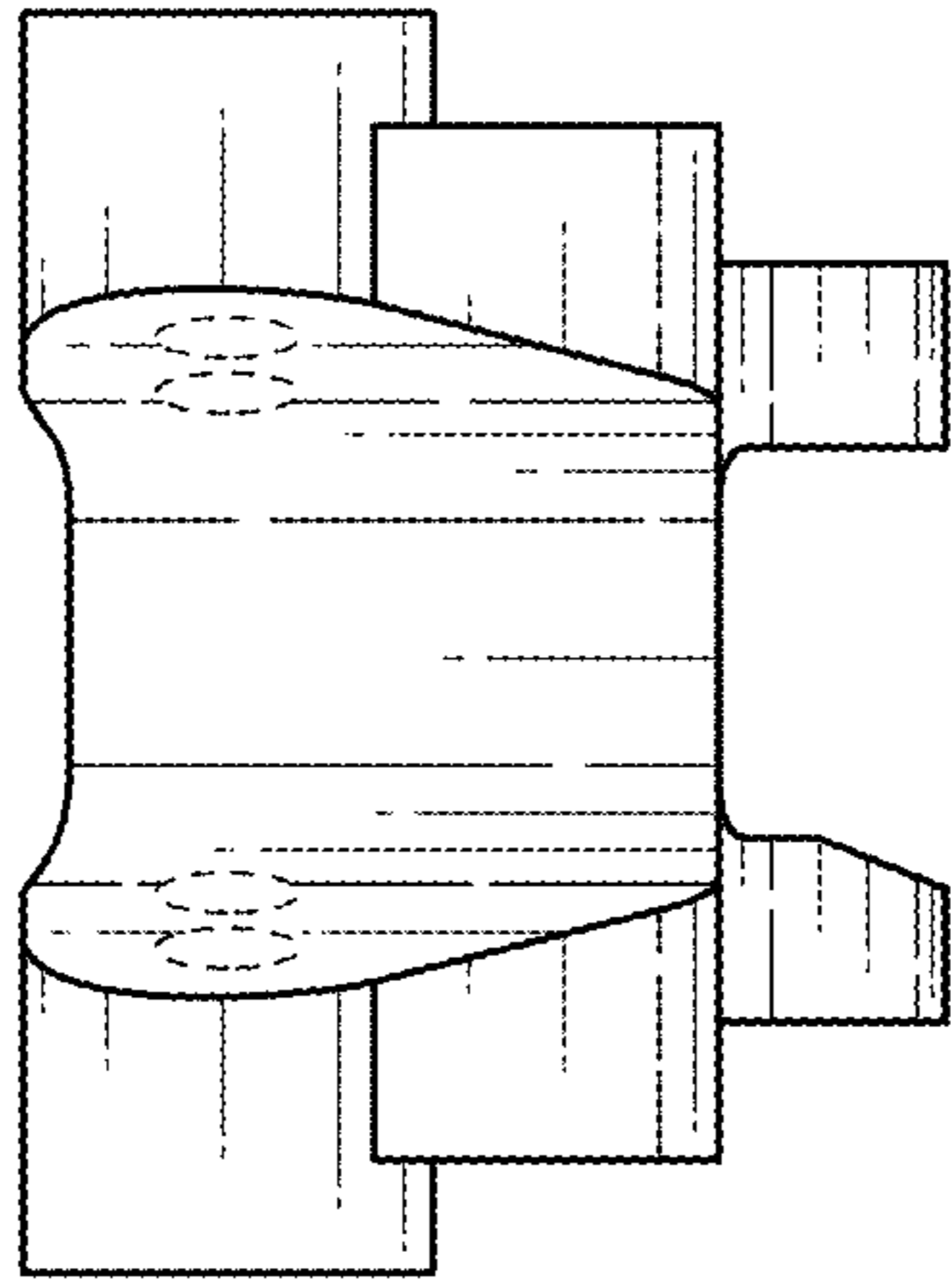


FIG. 7

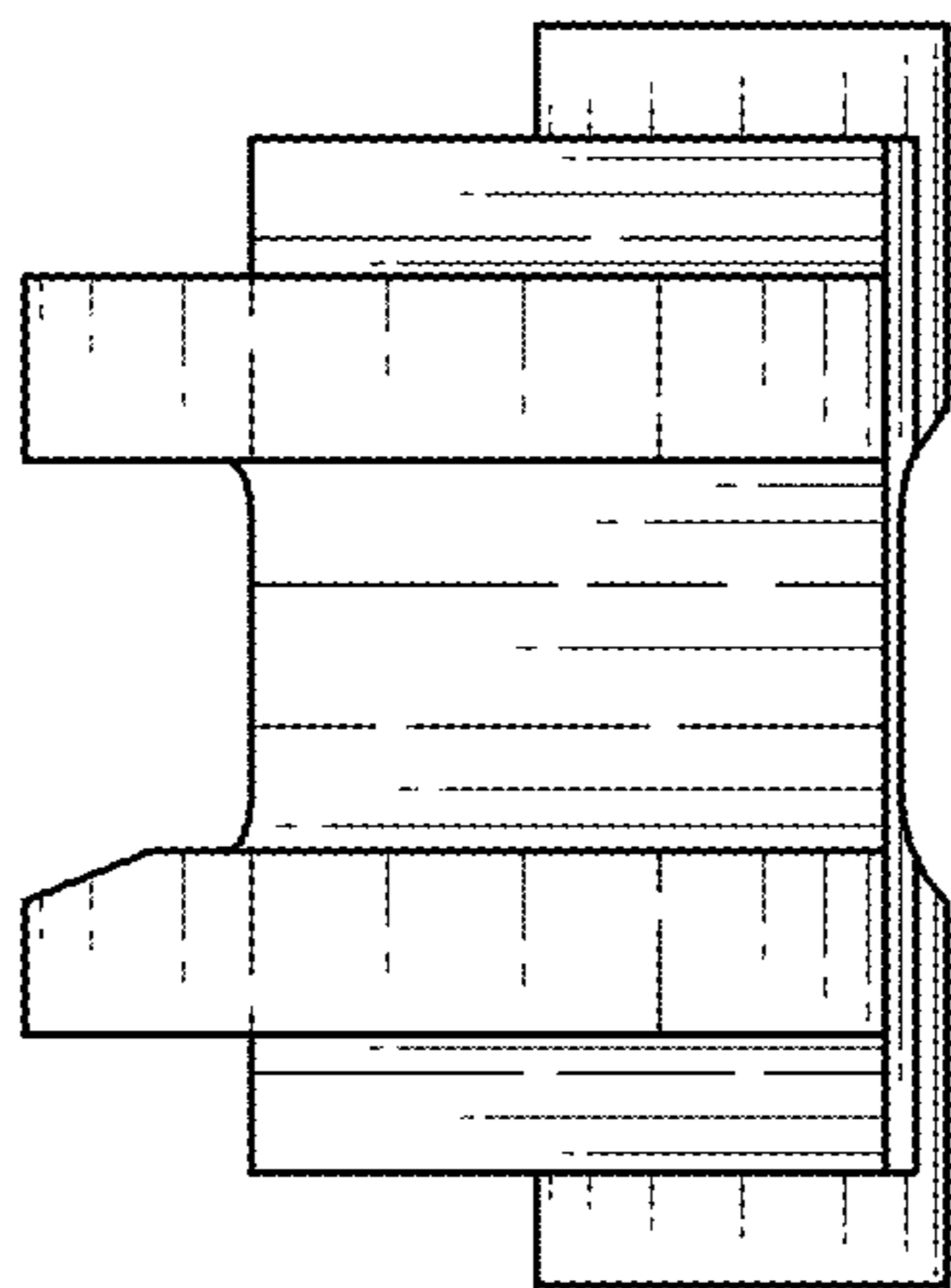


FIG. 8

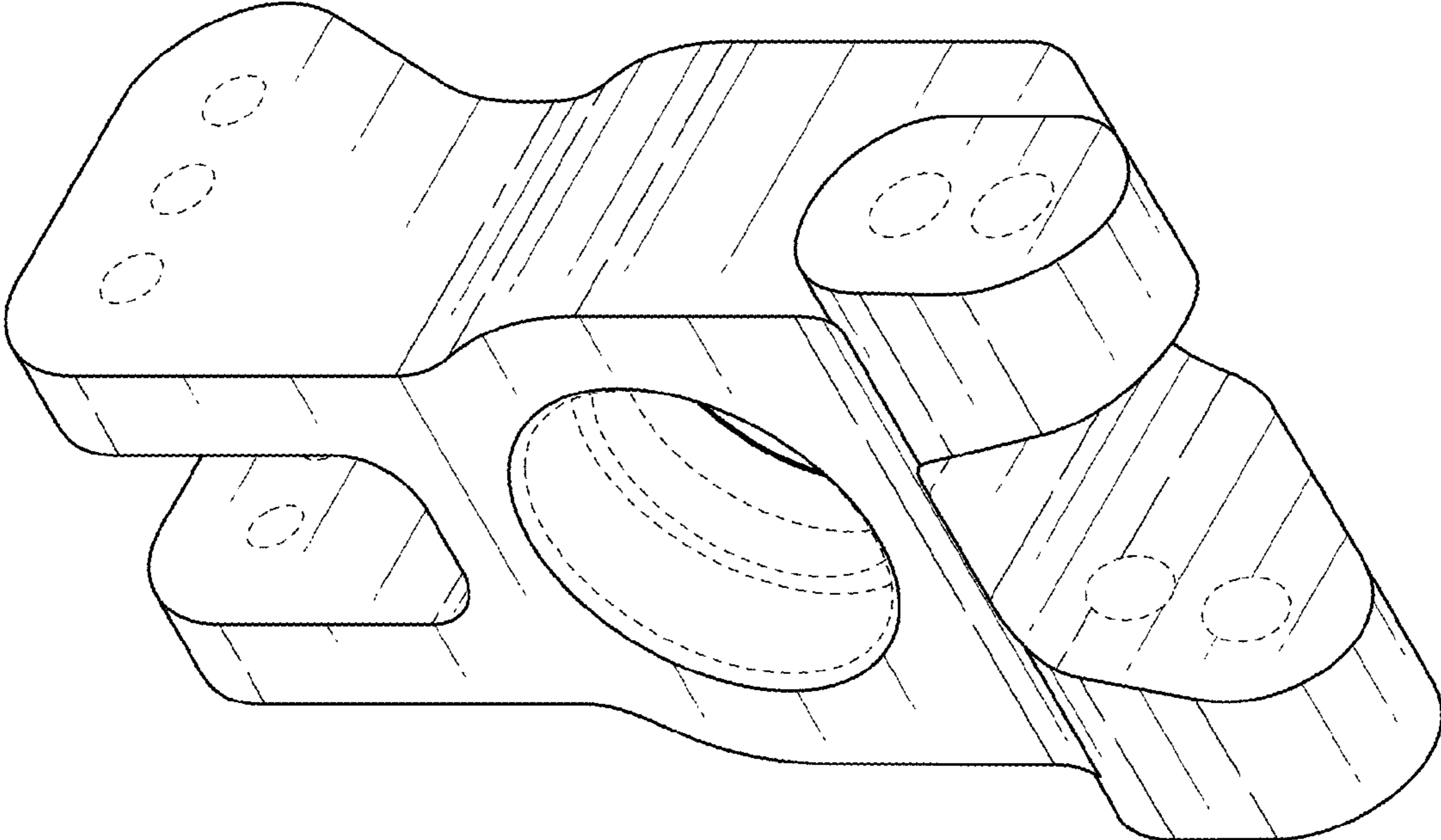


FIG. 9