



US0D1049191S

(12) **United States Design Patent**
Huang

(10) **Patent No.:** **US D1,049,191 S**

(45) **Date of Patent:** **** Oct. 29, 2024**

(54) **HANDHELD BINOCULARS**

(71) Applicant: **VISIR INC.**, Richardson, TX (US)

(72) Inventor: **Tao Huang**, Richardson, CA (US)

(73) Assignee: **VISIR INC.**, Richardson, TX (US)

(**) Term: **15 Years**

(21) Appl. No.: **29/826,488**

(22) Filed: **Feb. 14, 2022**

(51) **LOC (14) Cl.** **16-06**

(52) **U.S. Cl.**
USPC **D16/133**

(58) **Field of Classification Search**
USPC D16/130, 132, 133, 134, 136
CPC G02B 25/002; G02B 25/02; G02B 25/005;
G02B 23/00; G02B 27/021
See application file for complete search history.

(56) **References Cited**

U.S. PATENT DOCUMENTS

D669,107 S * 10/2012 Yoneda D16/133
D938,507 S * 12/2021 Zeng D16/133
D952,484 S * 5/2022 Gallery D10/70

11,550,139 B2 * 1/2023 Chen G02B 23/18
D977,544 S * 2/2023 Chen D16/133
D984,507 S * 4/2023 Chen D16/133
D989,835 S * 6/2023 Len D16/133

* cited by examiner

Primary Examiner — Maria J. Edwards

Assistant Examiner — Dina Michelle Hoeyneck

(74) *Attorney, Agent, or Firm* — Yue (Robert) Xu; Apex Attorneys at Law, LLP

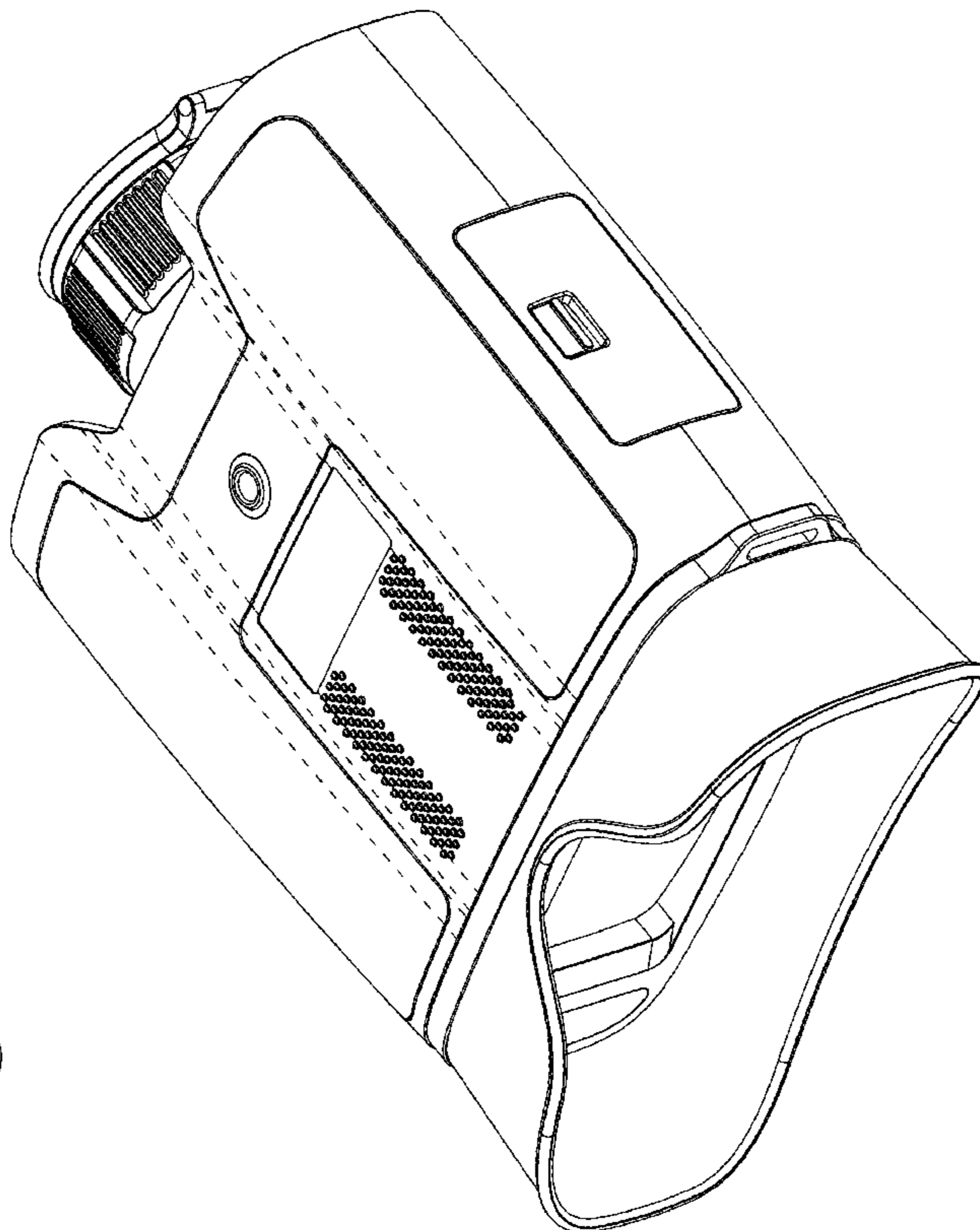
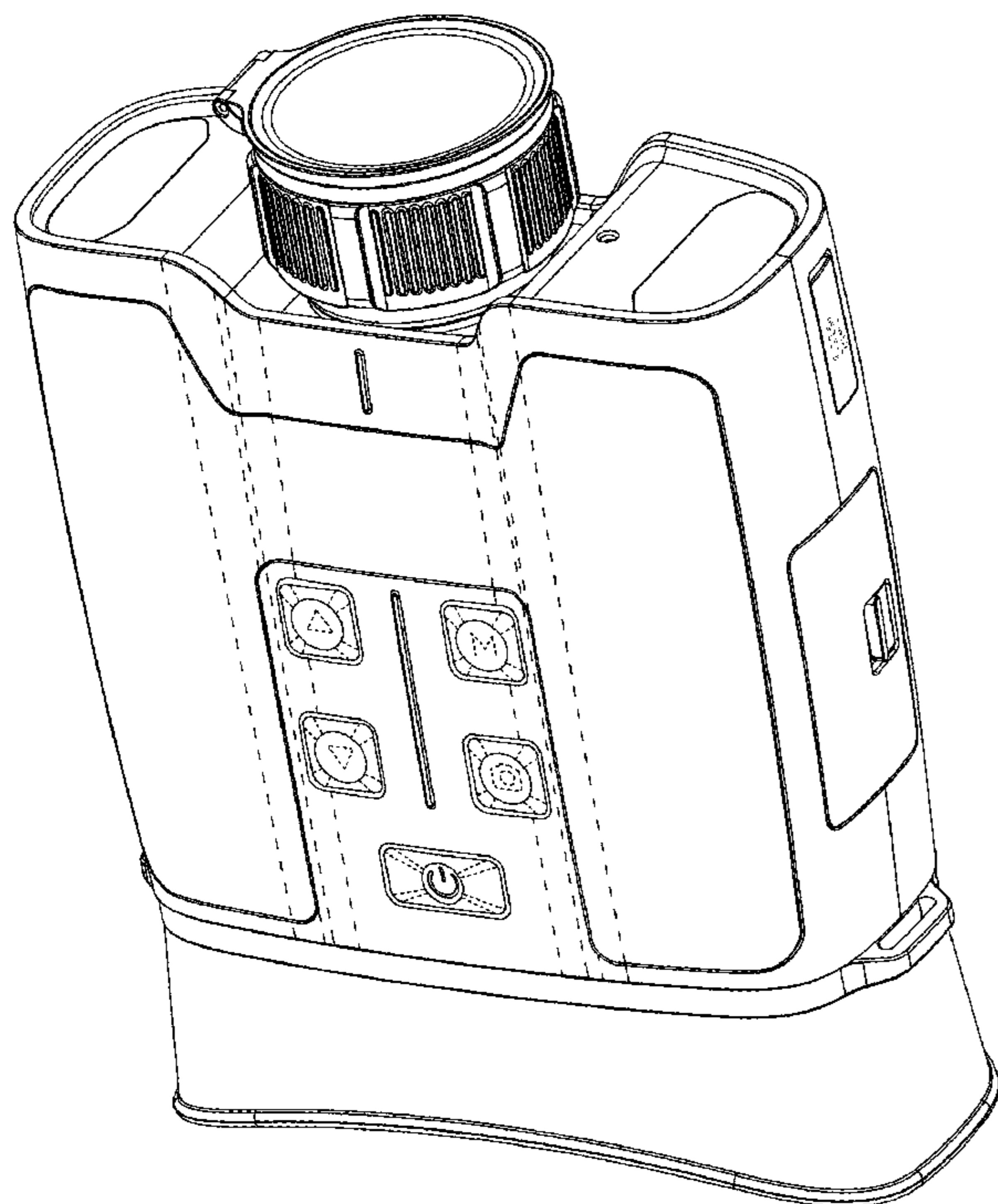
(57) **CLAIM**

The ornamental design for handheld binoculars as shown and described.

DESCRIPTION

FIG. 1 is a first perspective view of the handheld binoculars, showing my new design;
FIG. 2 is a second perspective view thereof;
FIG. 3 is a front view thereof;
FIG. 4 is a back view thereof;
FIG. 5 is a left side view thereof;
FIG. 6 is a right side thereof;
FIG. 7 is a top plan view thereof; and,
FIG. 8 is a bottom view thereof.
The broken lines shown in the figures are for the purpose of illustrating portions of the handheld binoculars that form no part of the claimed design.

1 Claim, 8 Drawing Sheets



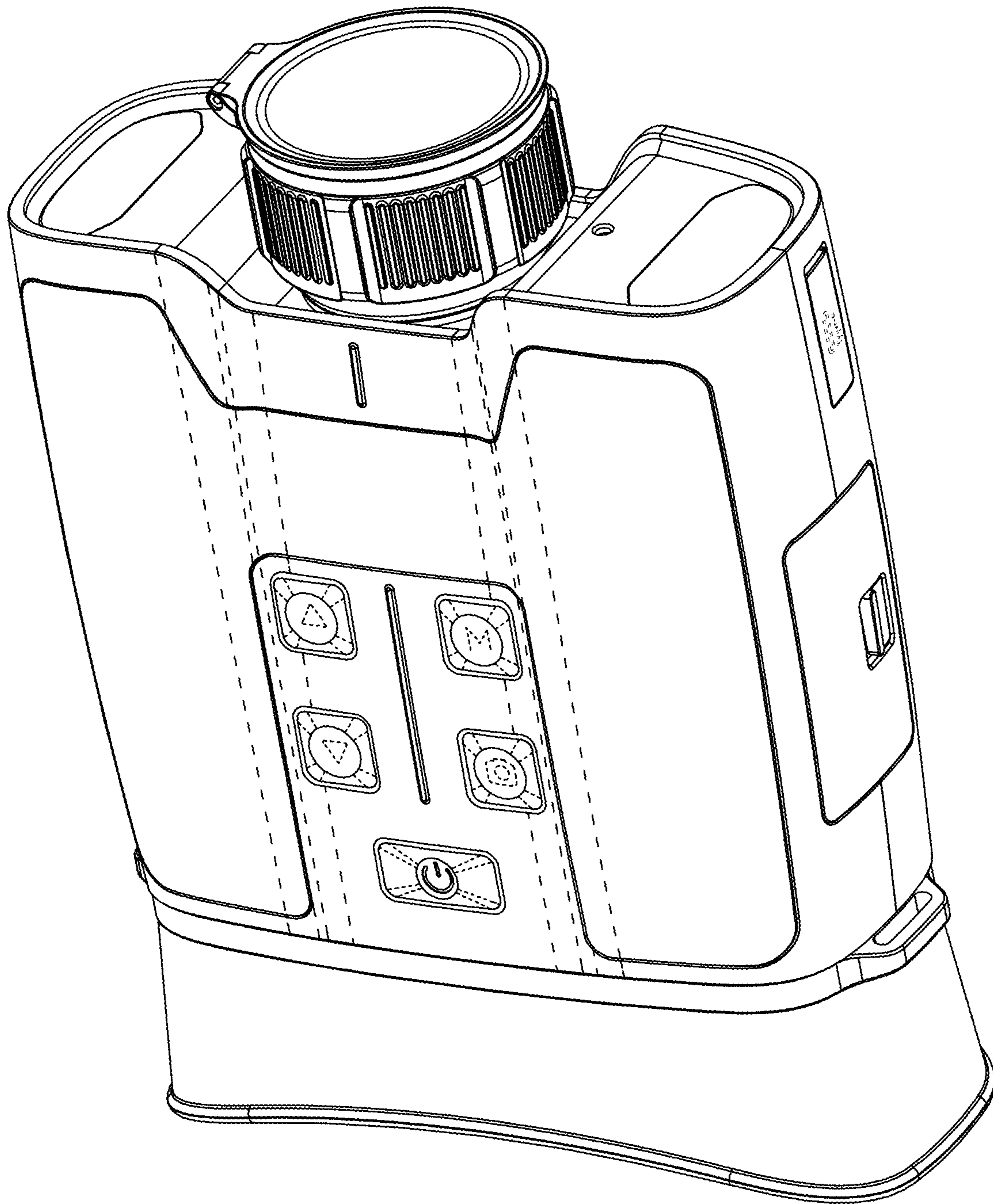


Fig. 1

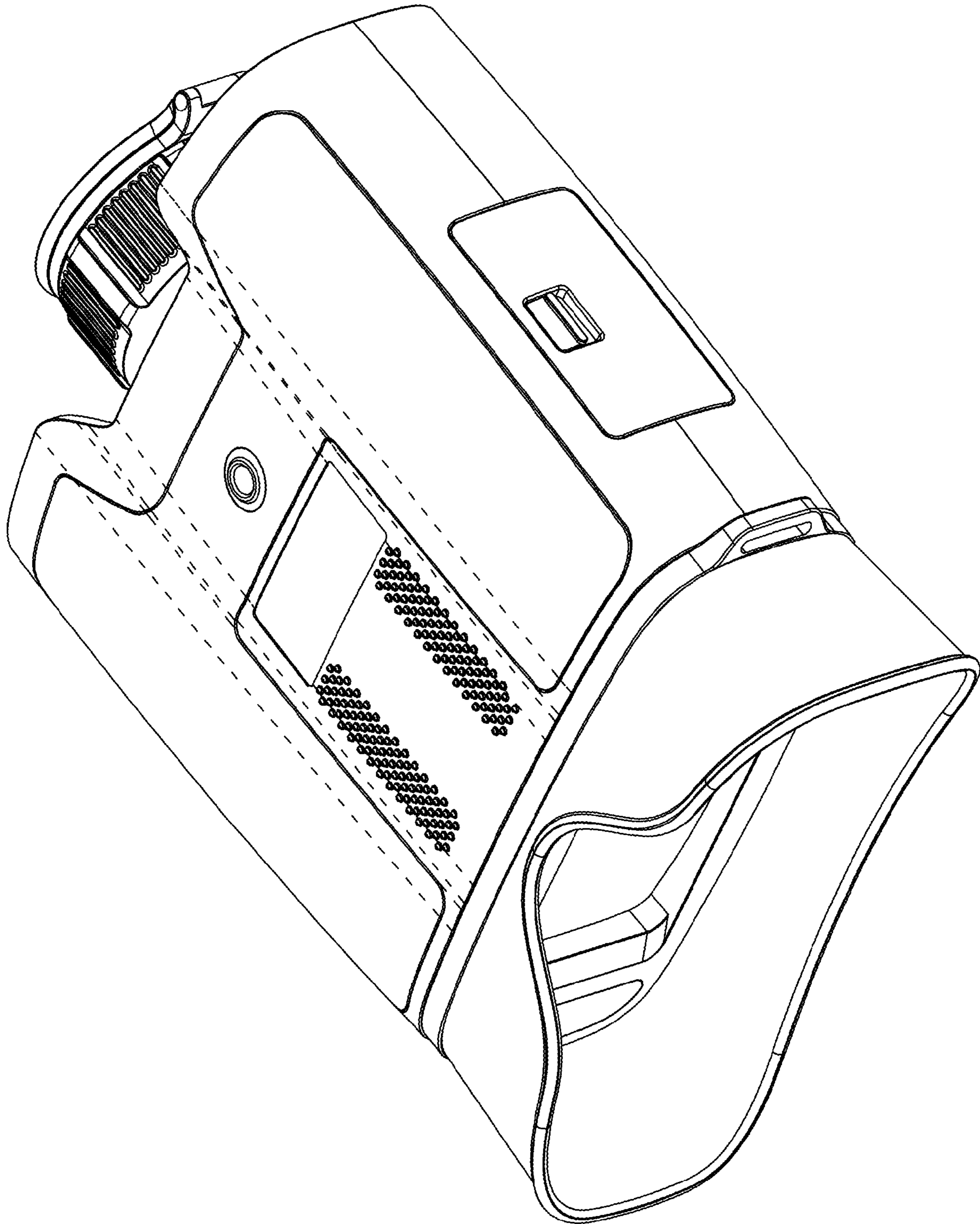


Fig. 2

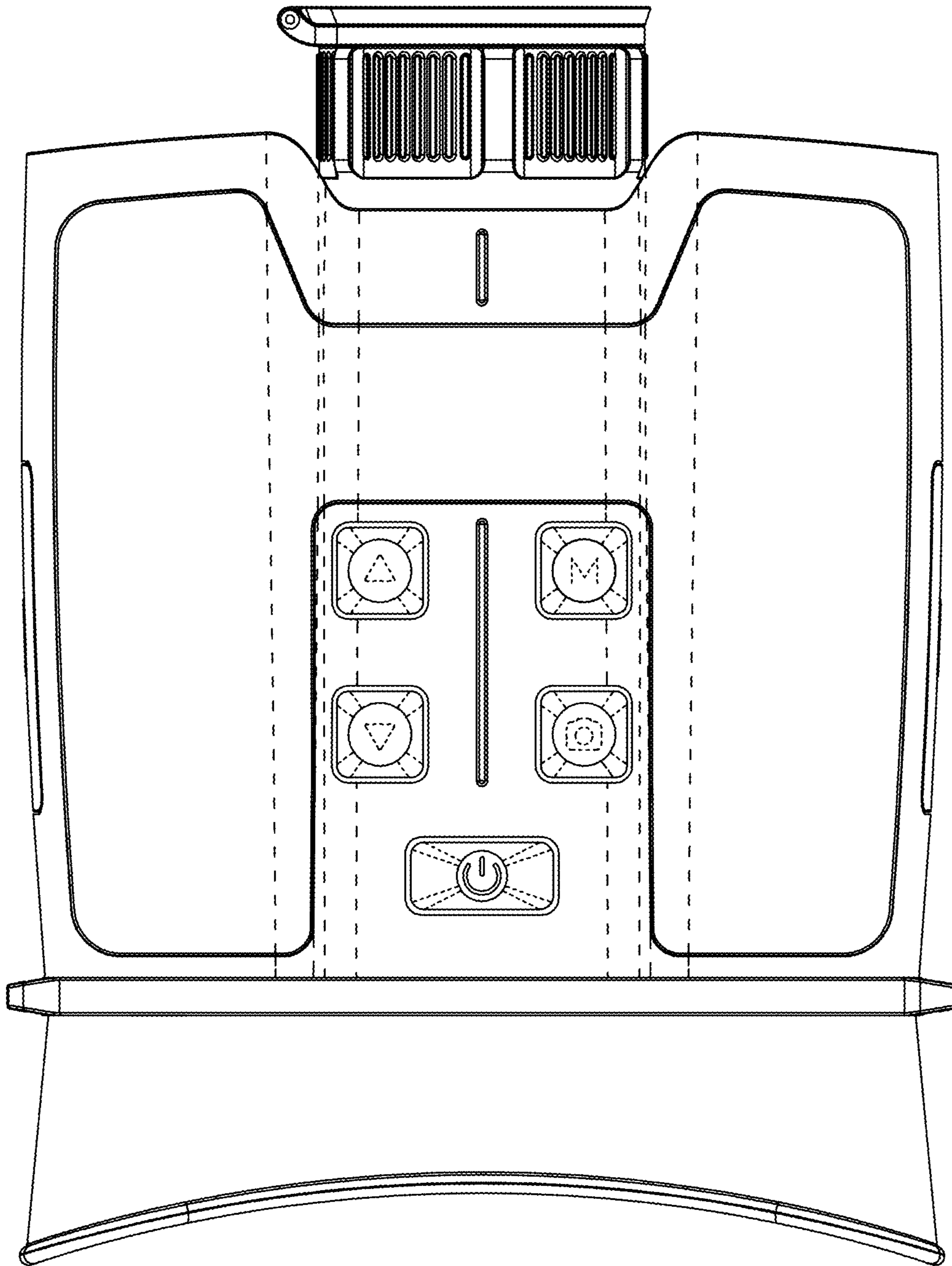


Fig. 3

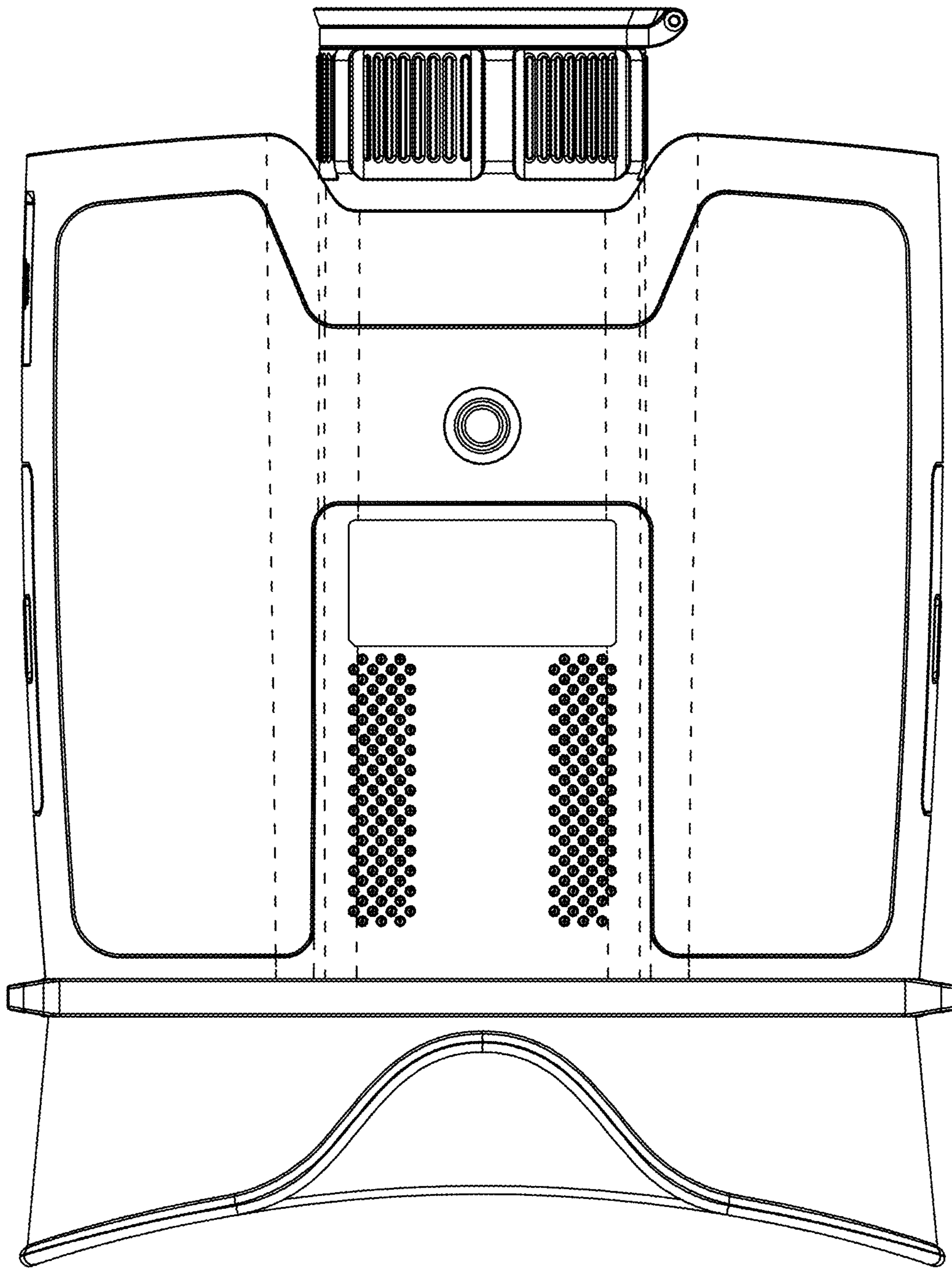


Fig. 4

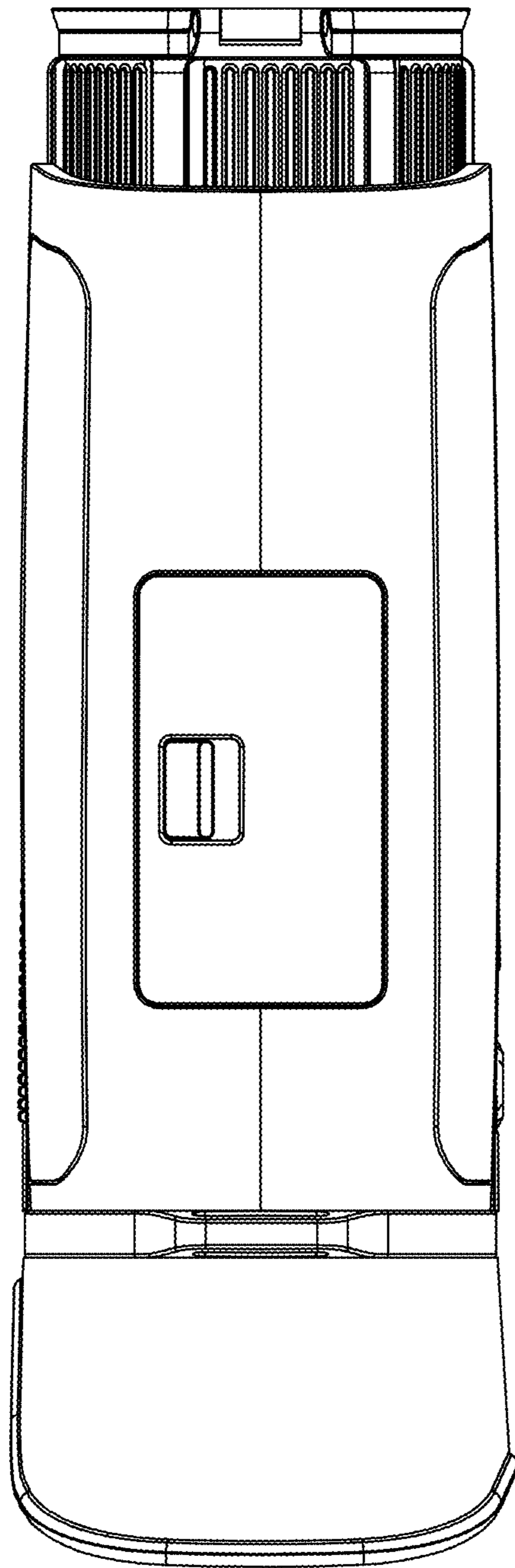


Fig. 5

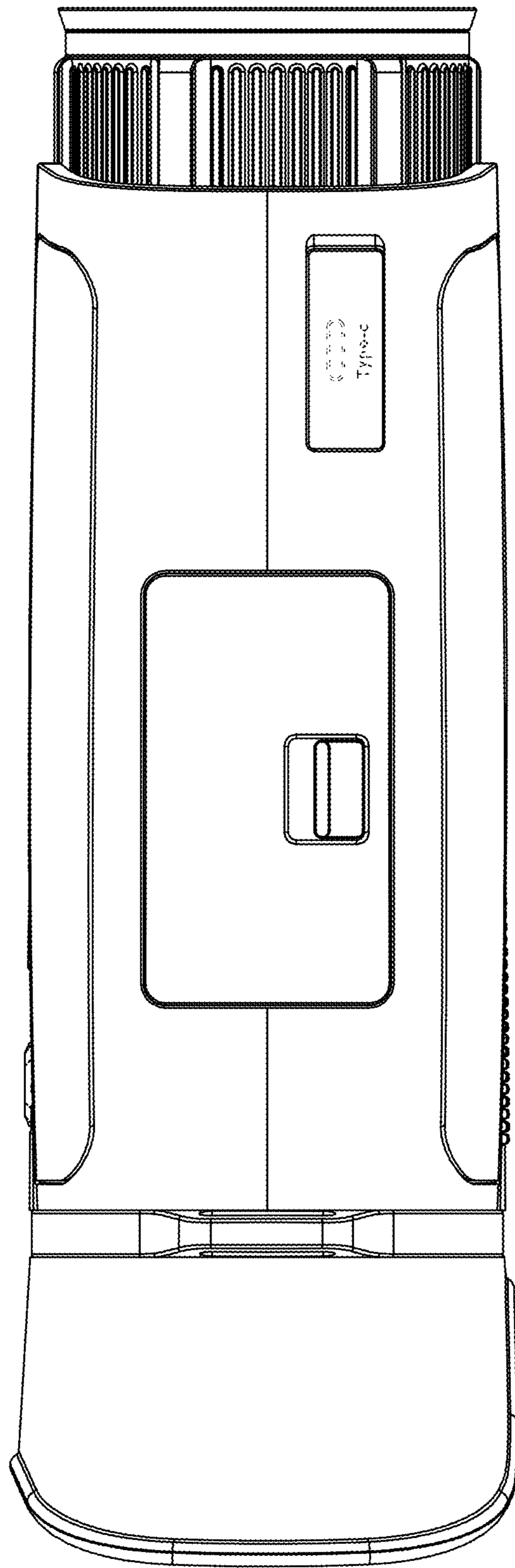


Fig. 6

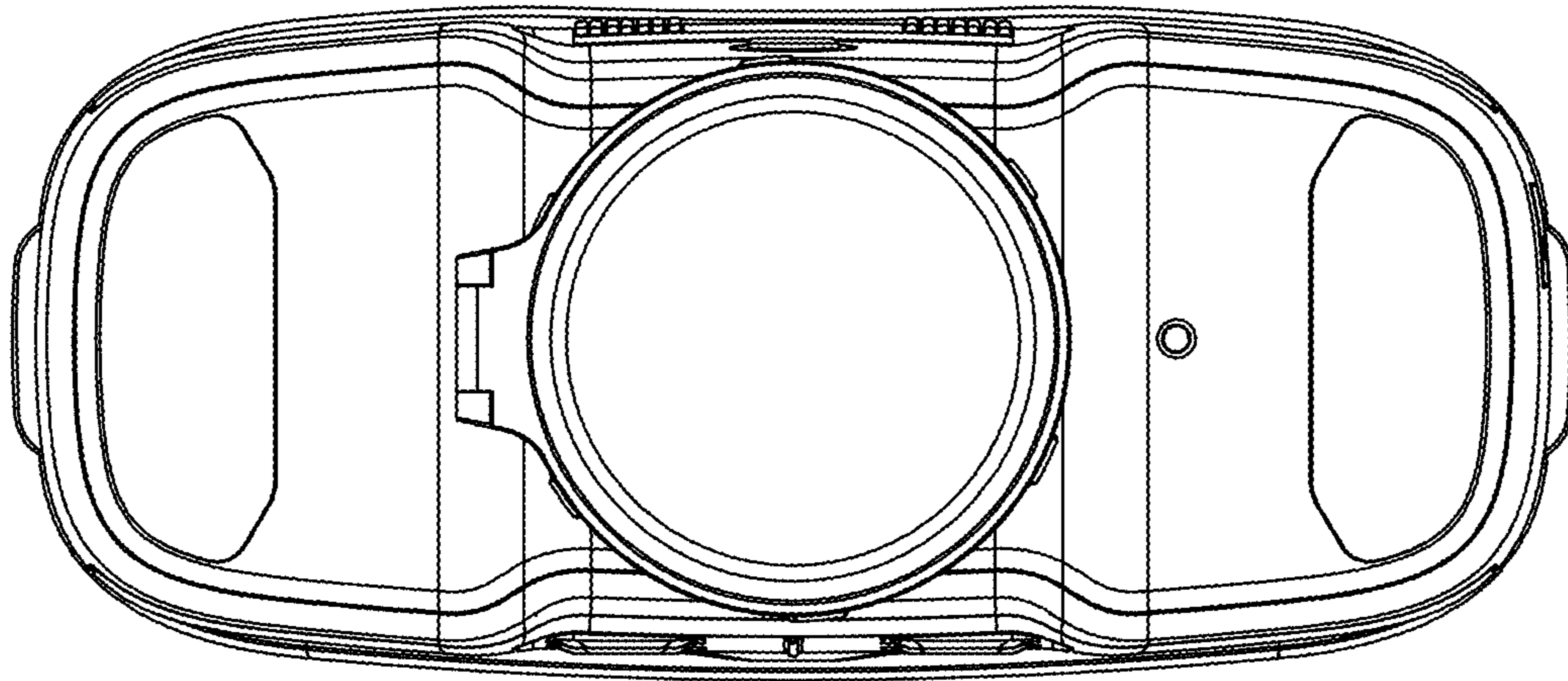


Fig. 7

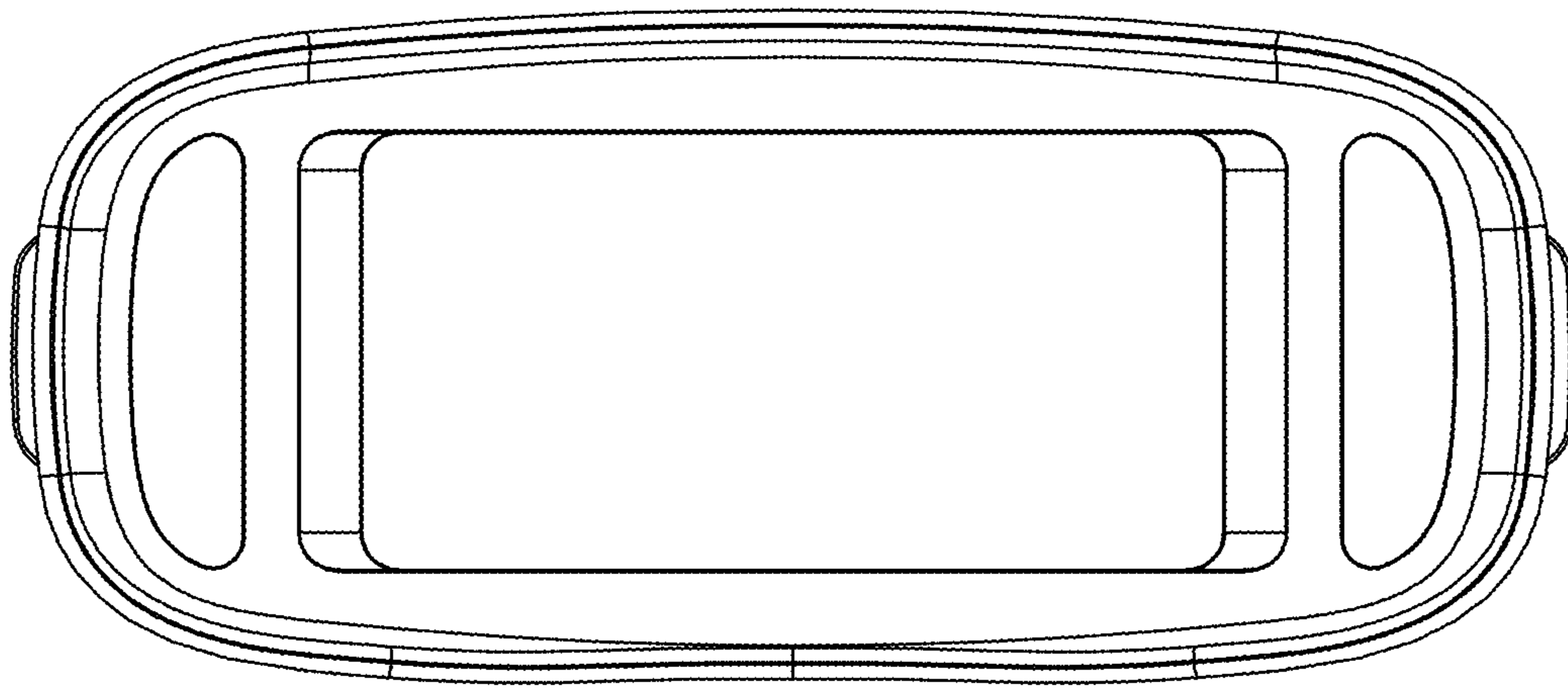


Fig. 8