



US0D1049169S

(12) **United States Design Patent**  
**Zhiyuan**

(10) **Patent No.: US D1,049,169 S**

(45) **Date of Patent: \*\* Oct. 29, 2024**

(54) **BALLOON PUMP**

(71) Applicant: **Jinhua Grande Intelligent Technology Co., Ltd.**, Jinhua (CN)

(72) Inventor: **Li Zhiyuan**, Yongkang (CN)

(\*\*) Term: **15 Years**

(21) Appl. No.: **29/943,345**

(22) Filed: **May 21, 2024**

(51) **LOC (14) Cl.** ..... **15-02**

(52) **U.S. Cl.**  
USPC ..... **D15/7**

(58) **Field of Classification Search**  
USPC ..... D15/7, 8, 9; D23/225, 231, 232  
CPC ..... B65B 43/36; B65B 39/02; A63H 27/10;  
A63H 3/06; A63H 2027/1033  
See application file for complete search history.

(56) **References Cited**

**U.S. PATENT DOCUMENTS**

D311,055 S	*	10/1990	Corley	.....	D23/233
D675,650 S		2/2013	Champ		
D786,937 S	*	5/2017	Nelson	.....	D15/7
D786,938 S	*	5/2017	Nelson	.....	D15/7
D786,939 S	*	5/2017	Nelson	.....	D15/7
D980,288 S	*	3/2023	Liu	.....	D15/7
D980,871 S		3/2023	Liu		
D987,689 S	*	5/2023	Liu	.....	D15/7

**OTHER PUBLICATIONS**

“Electric Balloon Pump Balloon Pump Electric Portable Dual Nozzle Air Balloon Pump 110V 600W Balloon Inflator for Party Decorations Wedding Birthday Graduation” as retrieved from the following Amazon link on May 21, 2024. The inventor is directly responsible for this public disclosure: [https://www.amazon.com/YICHENGDA-Electric-Portable-Decorations-Graduation/dp/B0CNQYL8T3/ref=sr\\_1\\_15?](https://www.amazon.com/YICHENGDA-Electric-Portable-Decorations-Graduation/dp/B0CNQYL8T3/ref=sr_1_15?)

\* cited by examiner

*Primary Examiner* — Calvin E Vansant

*Assistant Examiner* — Eidiol Ghigliotty Torre

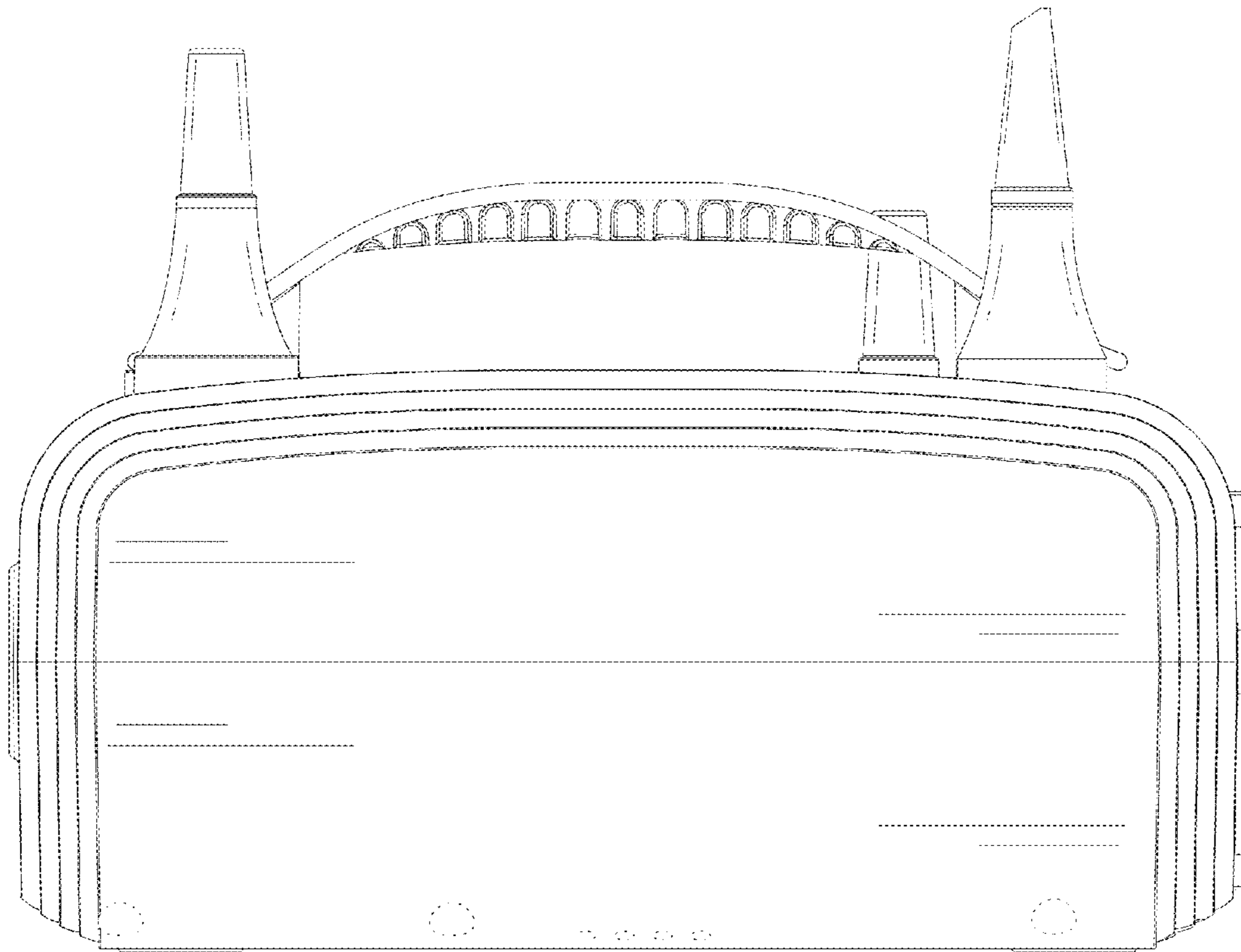
(57) **CLAIM**

The ornamental design for a balloon pump, as shown and described.

**DESCRIPTION**

FIG. 1 is a front elevation view of a balloon pump showing the new design;  
FIG. 2 is a back elevation view thereof;  
FIG. 3 is a left-side view thereof;  
FIG. 4 is a right-side view thereof;  
FIG. 5 is a top plan view thereof;  
FIG. 6 is a bottom plan view thereof;  
FIG. 7 is a perspective view thereof; and,  
FIG. 8 is another perspective view thereof.  
The broken lines depict portions of the balloon pump that form no part of the claimed design.

**1 Claim, 8 Drawing Sheets**



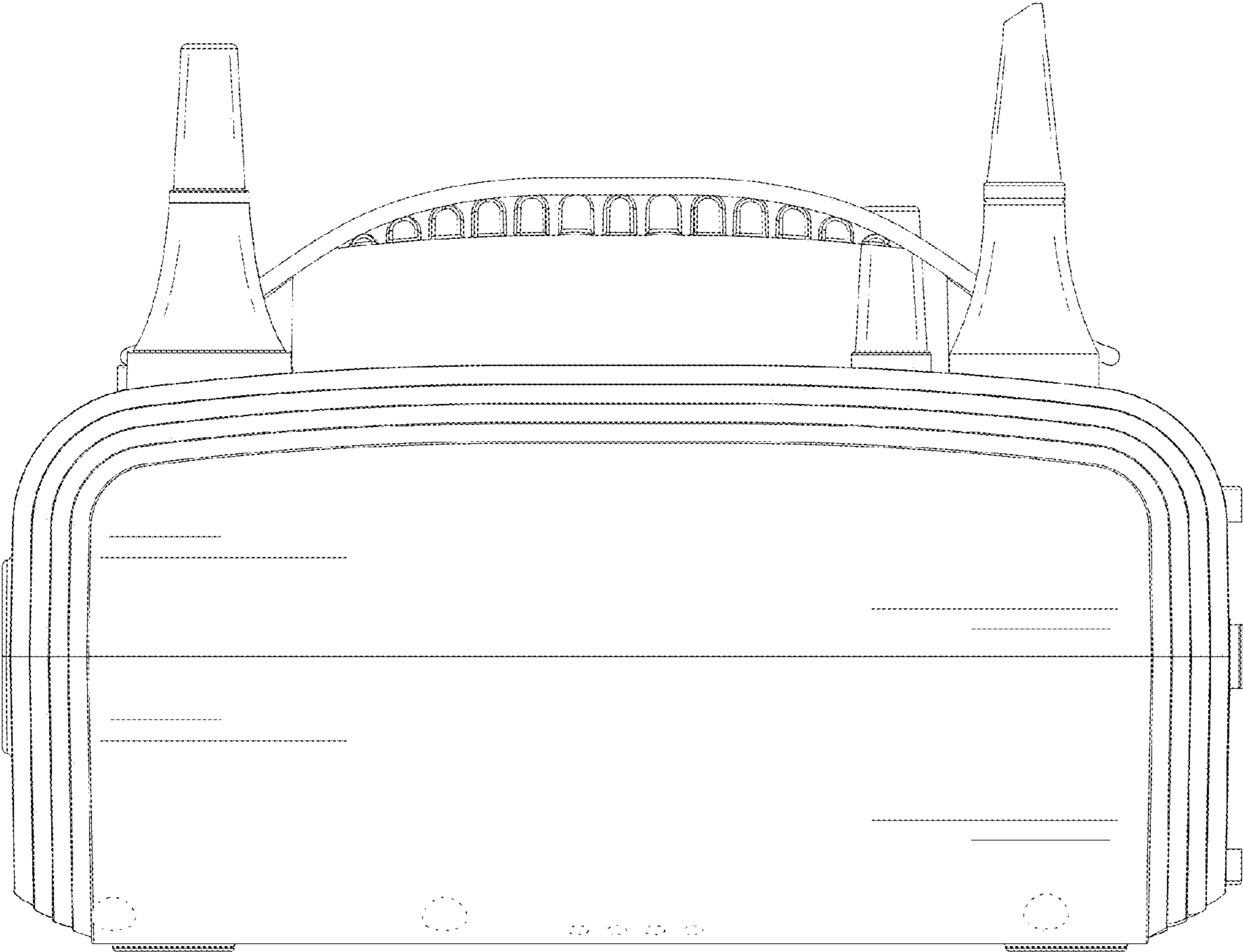


FIG. 1

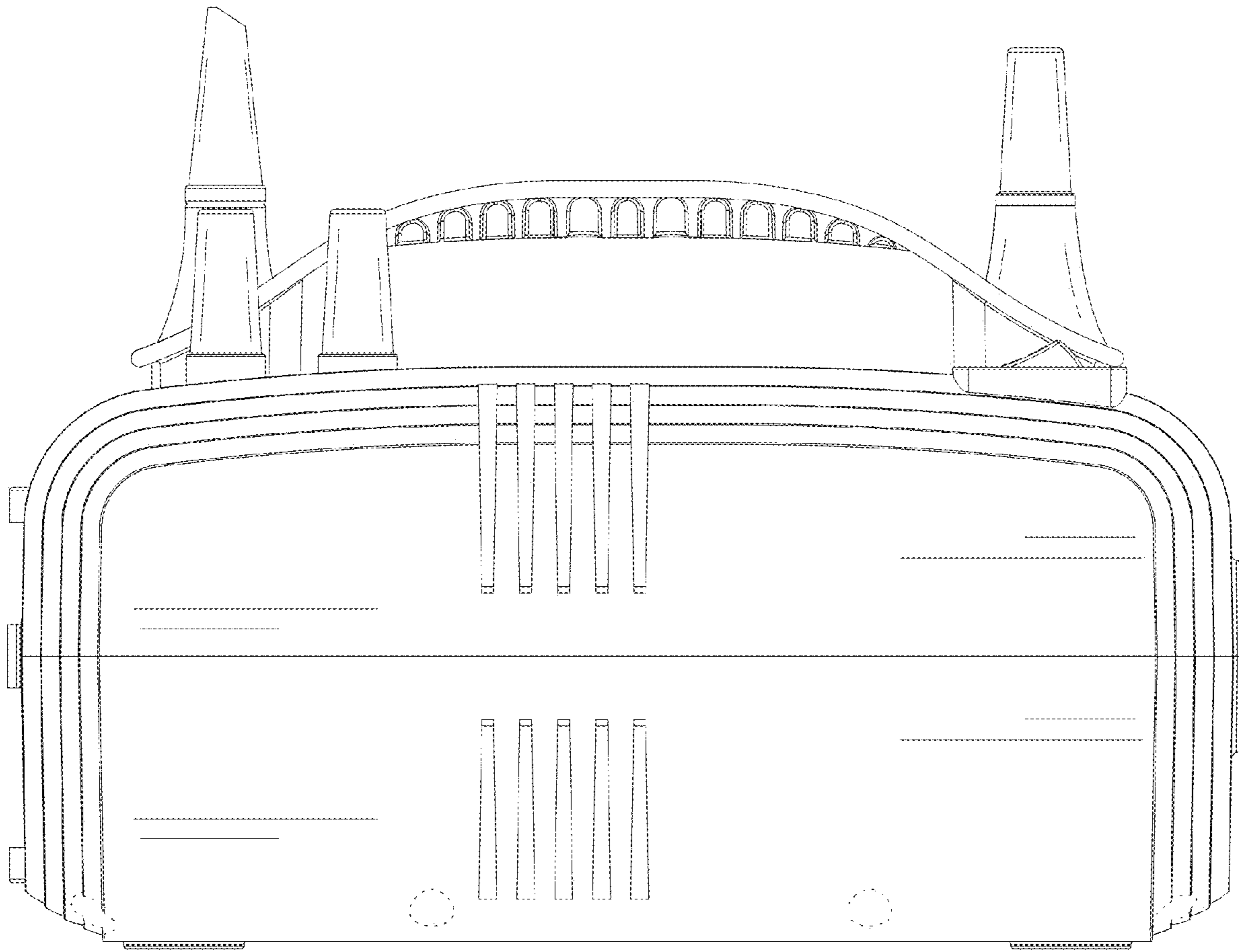


FIG. 2

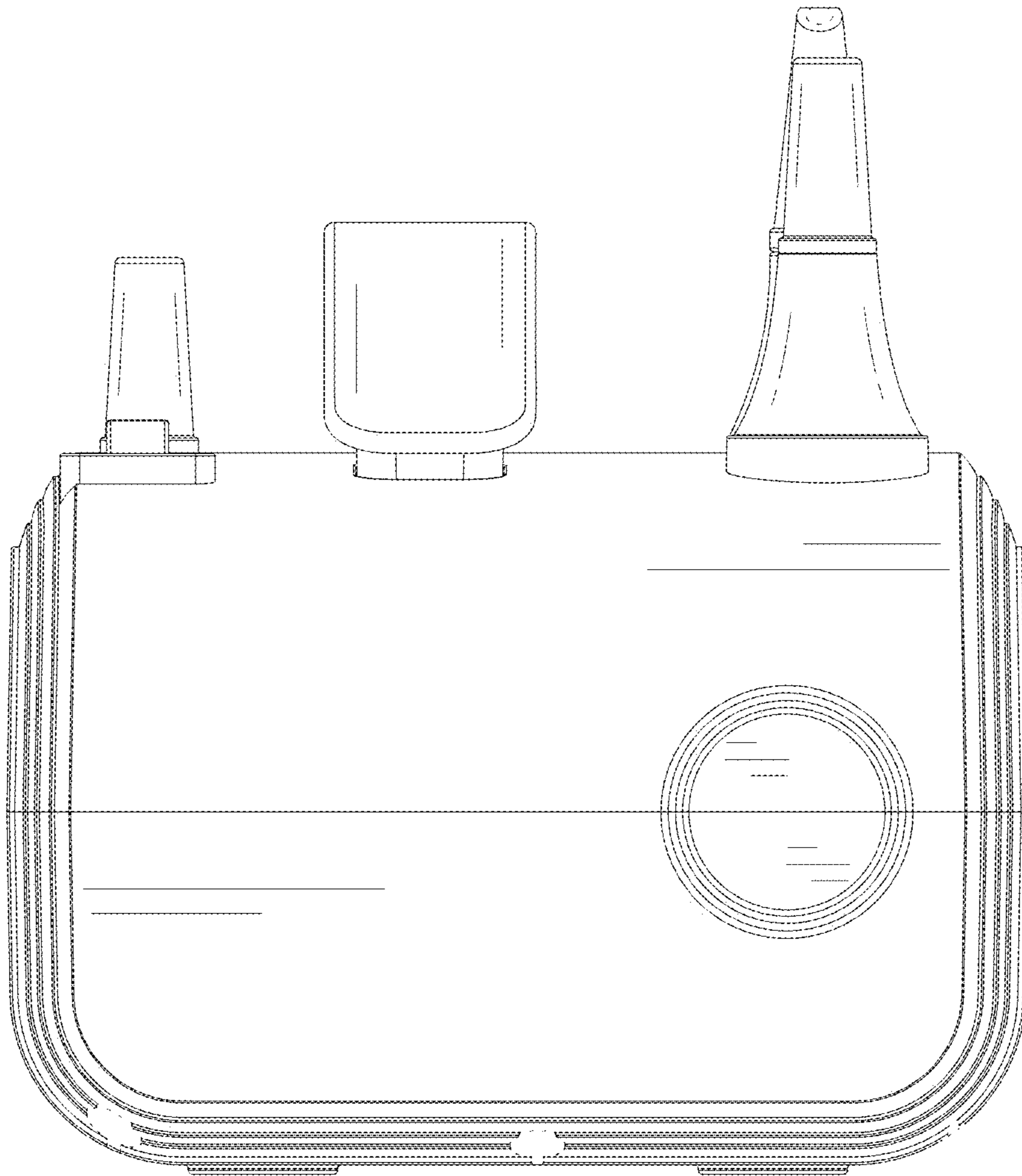


FIG. 3

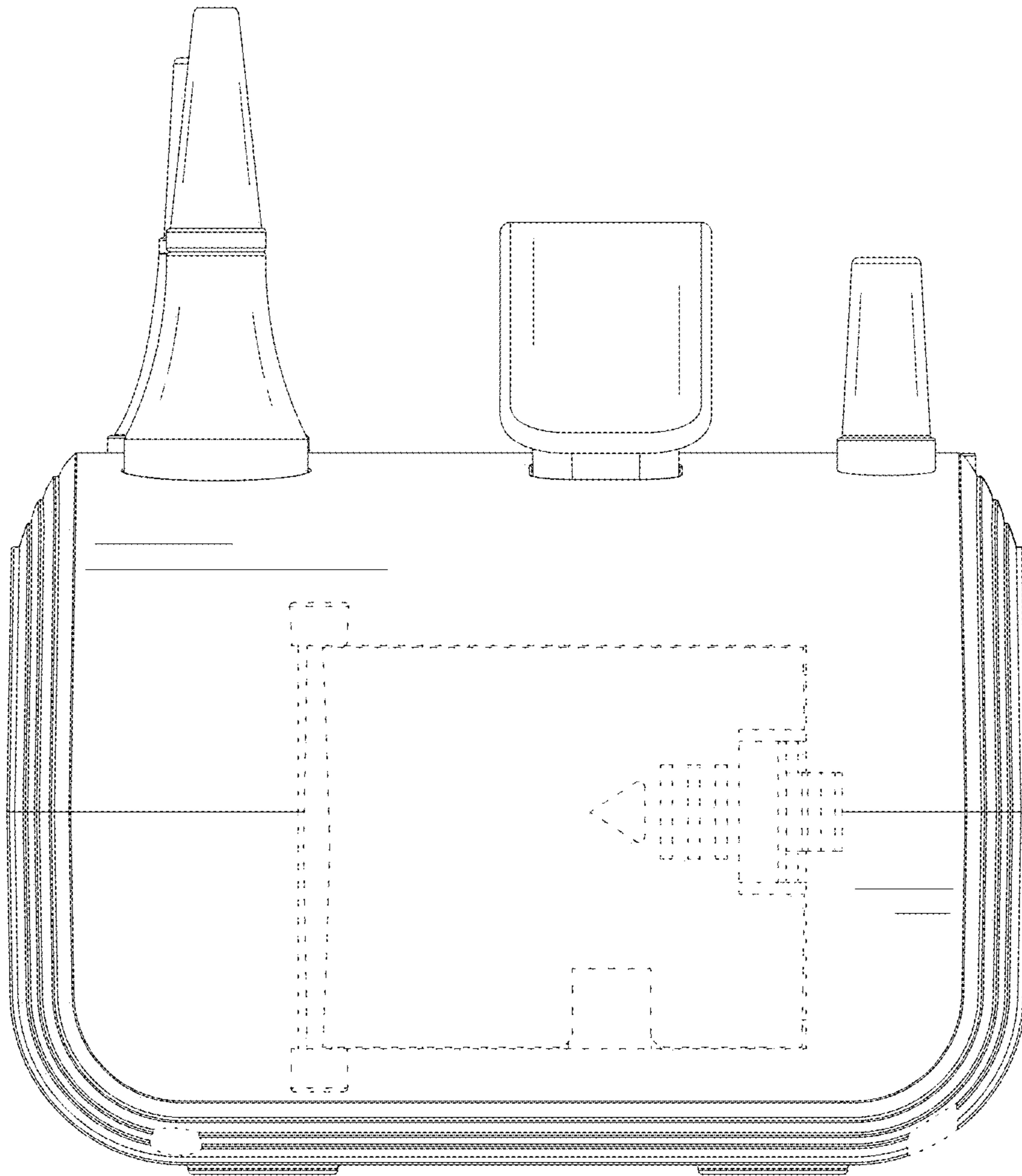


FIG. 4

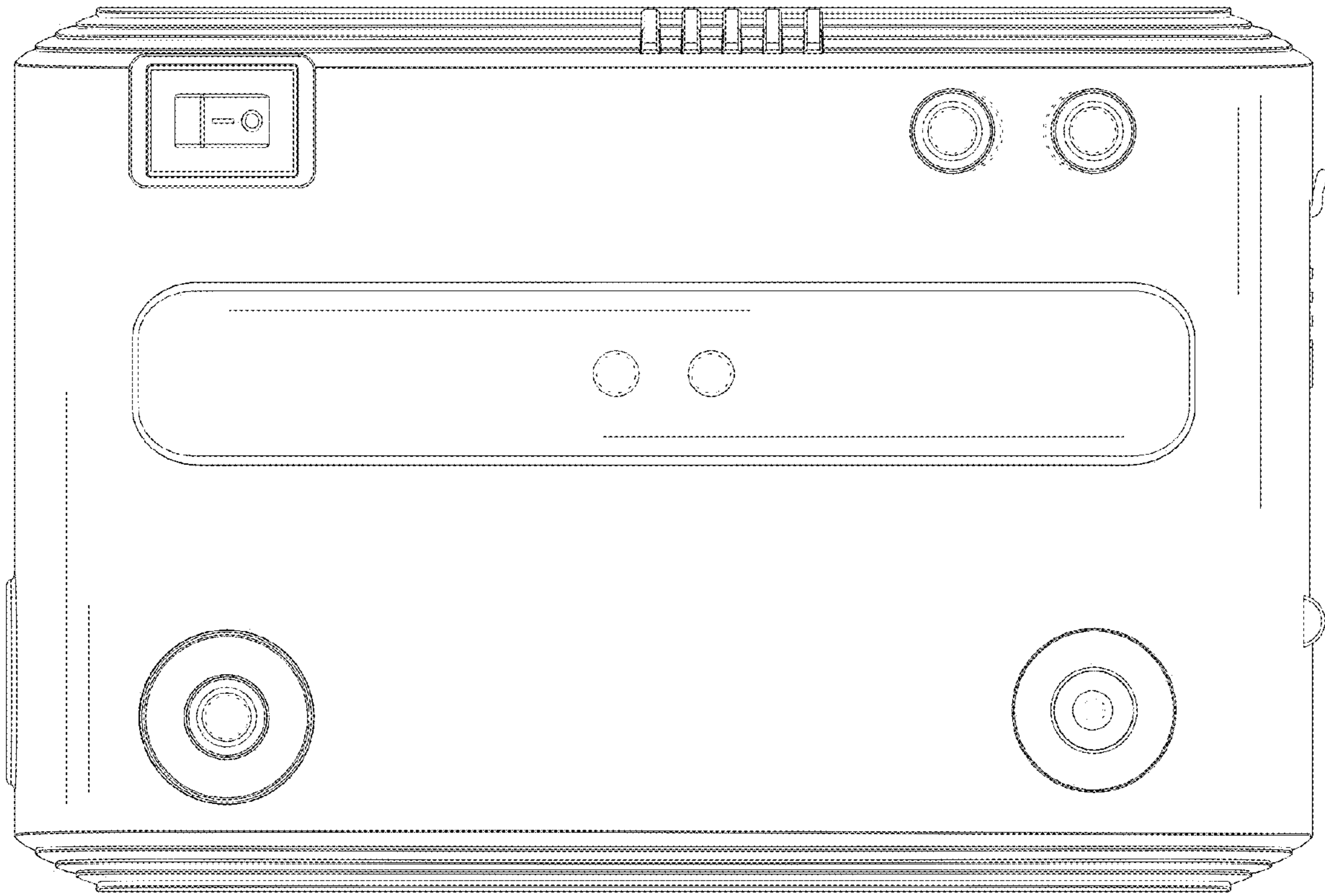


FIG. 5

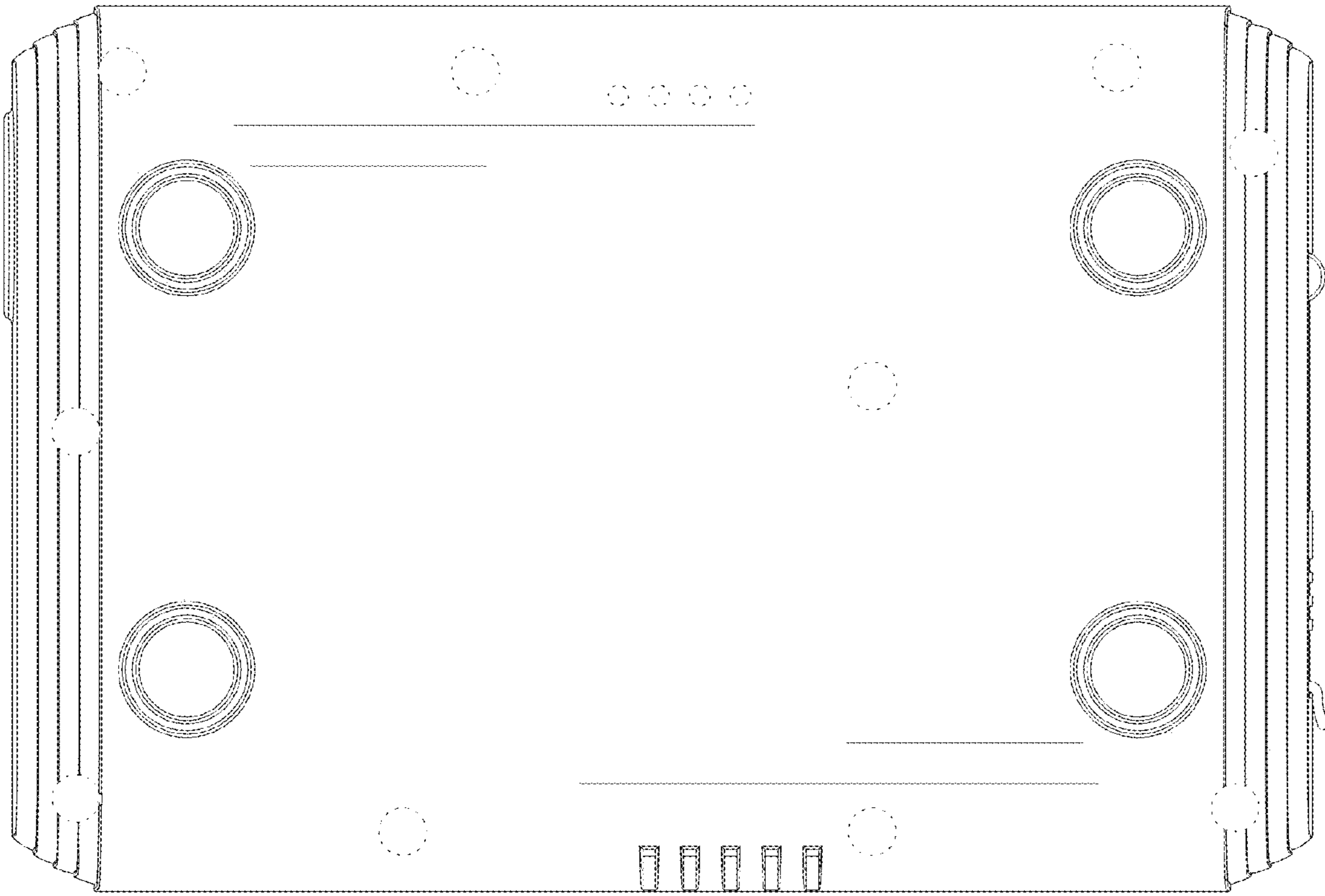


FIG. 6

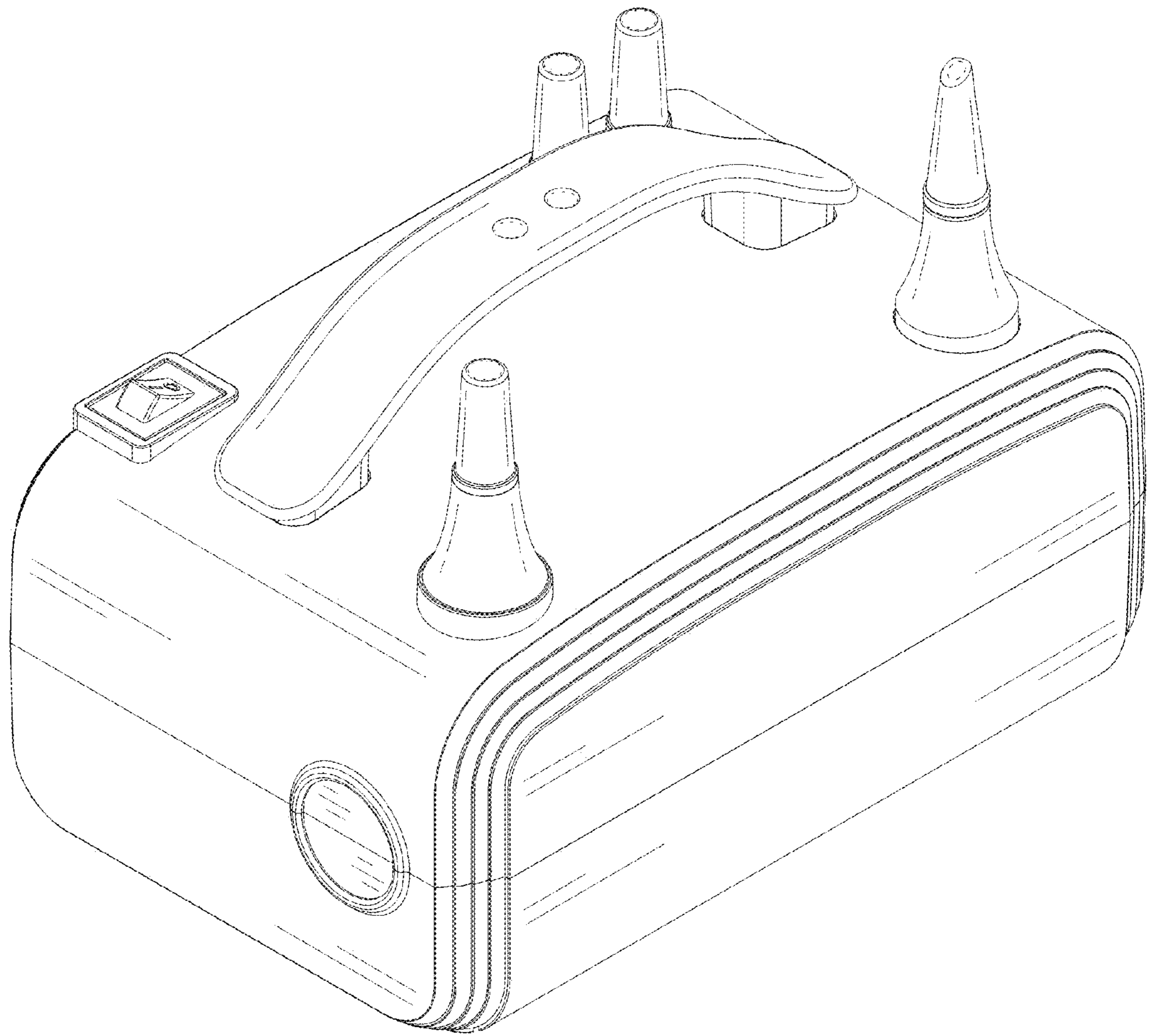


FIG. 7



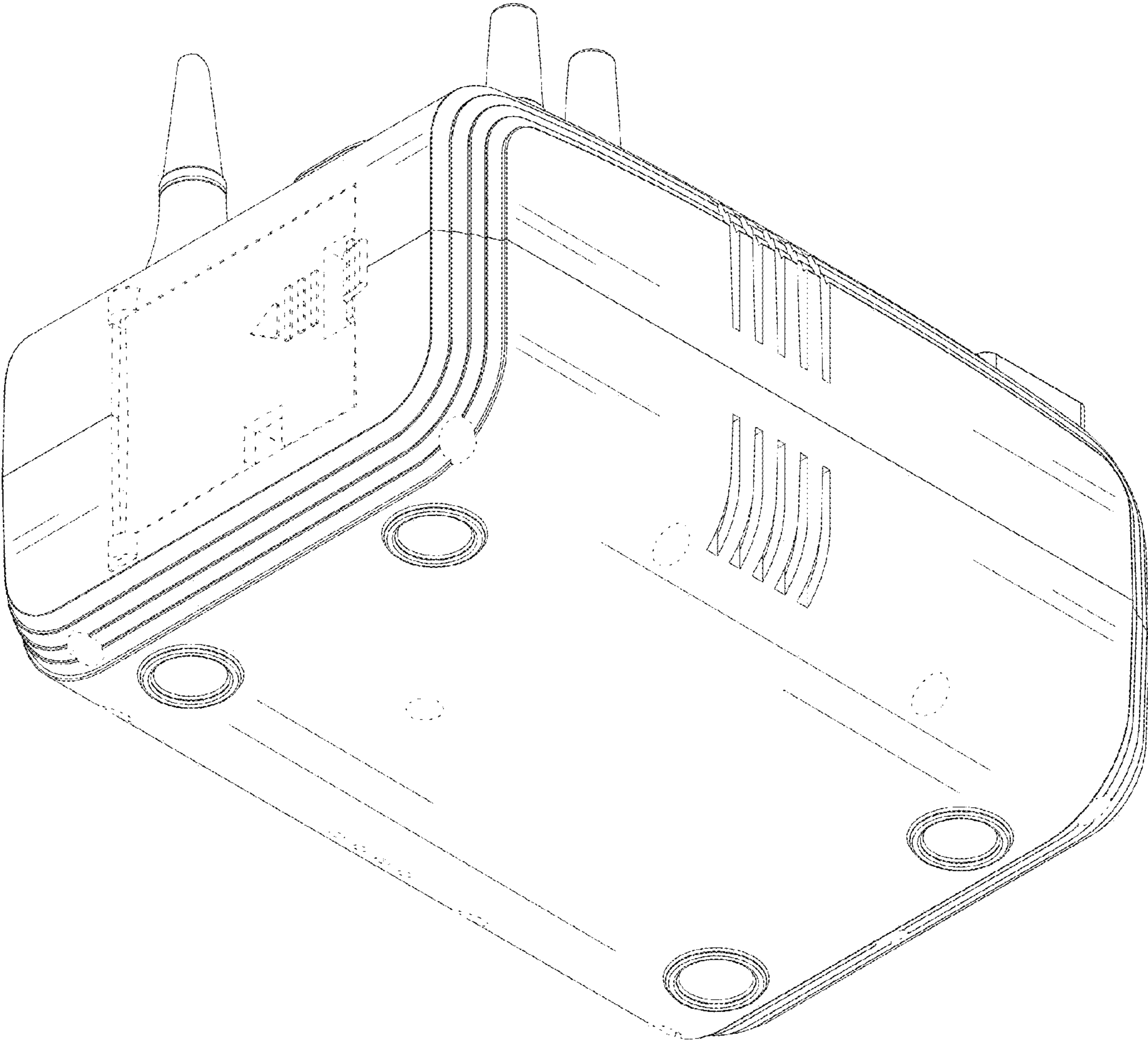


FIG. 8