



US0D1049072S

(12) **United States Design Patent** (10) **Patent No.:** **US D1,049,072 S**
Yang (45) **Date of Patent:** **** Oct. 29, 2024**

(54) **SUBWOOFER**

H04R 1/403; H04R 1/2803; H04R 1/2834; H04R 9/12;

(Continued)

(71) Applicant: **Perlisten Audio LLC**, Verona, WI (US)

(72) Inventor: **Xinliang Yang**, Dongguan (CN)

(73) Assignee: **Perlisten Audio LLC**, Verona, WI (US)

(**) Term: **15 Years**

(21) Appl. No.: **29/779,915**

(22) Filed: **Apr. 21, 2021**

(30) **Foreign Application Priority Data**

Oct. 21, 2020 (CN) 202030626637.8

(51) **LOC (14) Cl.** **14-01**

(52) **U.S. Cl.**
USPC **D14/215**; D14/204

(58) **Field of Classification Search**
USPC D14/314, 341, 356, 362, 363, 365, 366,
D14/368, 369, 388, 432, 498-507, 509,
D14/510, 129, 131, 159, 168, 169, 171,
D14/172, 175, 188, 194, 199, 202, 203,
D14/203.1, 203.3, 203.4, 203.6, 203.7,
D14/204, 209.1-216, 217, 221, 218, 261,
D14/211, 208, 200, 187, 224, 173, 207,
D14/125, 130; D16/202, 208
CPC H03J 1/0025; H01H 9/0235; H04B 1/202;
G08C 17/00; G08C 17/02; G06F 1/1656;
G06F 1/1605; G06F 1/1626; G06F
1/1633; G06F 1/1658; G06F 1/1684;
G06F 1/1688; H04R 1/02; H04R 1/06;
H04R 1/021; H04R 1/025; H04R 1/026;
H04R 1/028; H04R 1/105; H04R 1/323;

(56) **References Cited**

U.S. PATENT DOCUMENTS

D449,036 S * 10/2001 Weikel D14/215
D507,259 S * 7/2005 Taylor D14/215

(Continued)

OTHER PUBLICATIONS

Perlisten Audio Dominus. Perlisten, ecoustics.com (online) 7 pages. Posted Feb. 9, 2021. [Retrieved Aug. 3, 2023] <https://www.ecoustics.com/products/perlisten-audio-thx-dominus-home-theater-speakers/> (Year: 2021).*

(Continued)

Primary Examiner — Rebekah A Caruso
Assistant Examiner — Cole Sanders Holman
(74) *Attorney, Agent, or Firm* — Boardman & Clark LLP

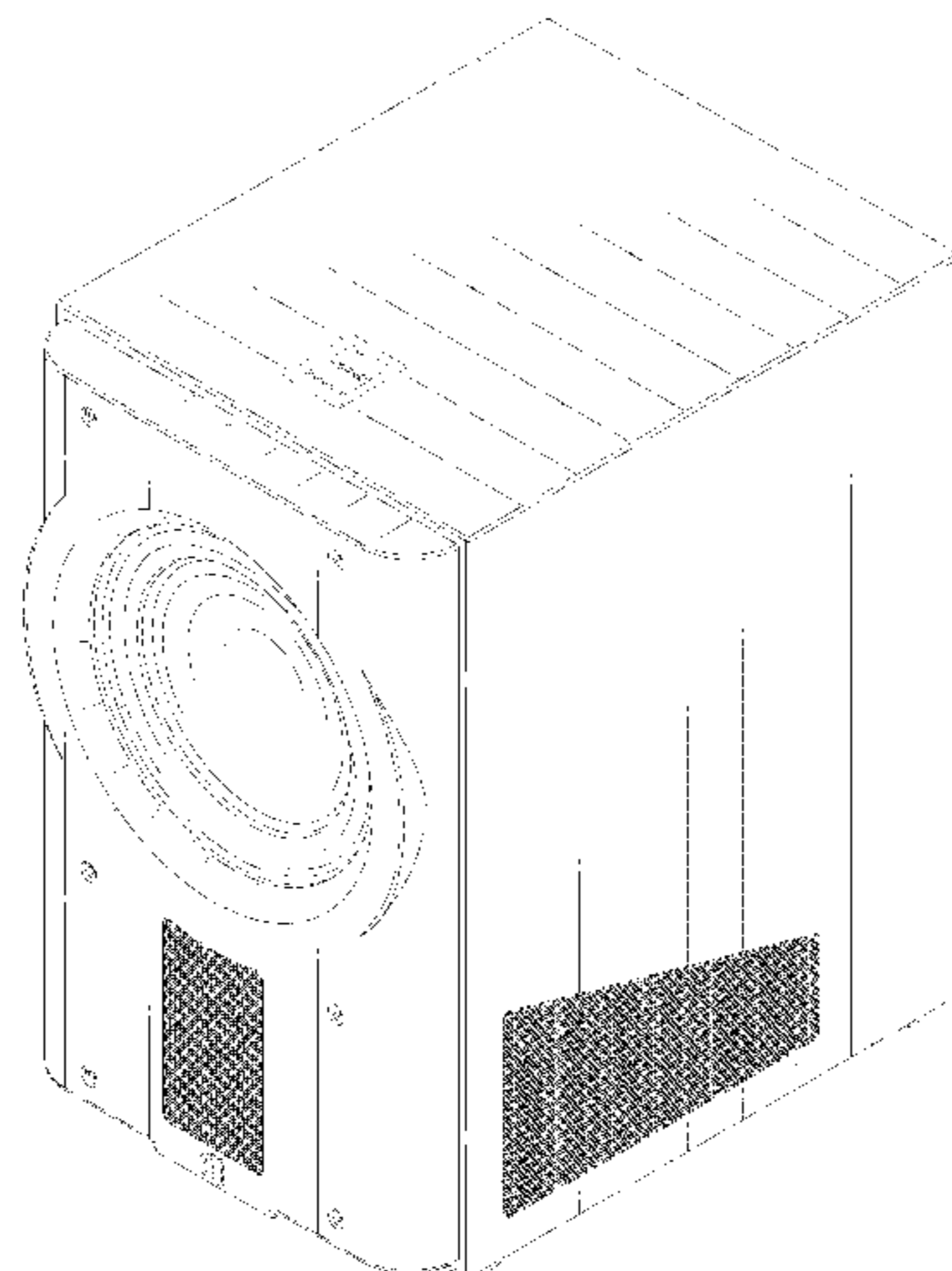
(57) **CLAIM**

The ornamental design for a subwoofer, as shown and described.

DESCRIPTION

FIG. 1 is a front view of the ornamental design of a subwoofer.
FIG. 2 is a rear view of the design of the subwoofer of FIG. 1.
FIG. 3 is a left view of the design of the subwoofer of FIG. 1.
FIG. 4 is a right view of the design of the subwoofer of FIG. 1.
FIG. 5 is a top view of the design of the subwoofer of FIG. 1.
FIG. 6 is a bottom view of the design of the subwoofer of FIG. 1; and,
FIG. 7 is a perspective view of the design of the subwoofer of FIG. 1.

(Continued)



The broken lines in the figures depict portions of the subwoofer that form no part of the claimed design. The shade lines in the Figures show contour and not surface ornamentation.

1 Claim, 7 Drawing Sheets

(58) **Field of Classification Search**

CPC . H04R 9/14; H04R 9/06; H04R 9/025; H04R 11/08; H04R 11/10; H04R 11/12; H04R 17/04; H04R 17/06; H04R 17/08; H04R 19/06; H04R 19/08; H04R 19/10; H04R 21/04; H04R 5/02; H04R 7/20; H04R 2201/021; H04R 2201/07; H04R 2499/11; H04R 2499/13; H04R 2499/15; G11B 17/02; G11B 17/022; G11B 17/025; G11B 17/028; G11B 17/032; H04S 3/00; H04S 7/30

See application file for complete search history.

(56)

References Cited

U.S. PATENT DOCUMENTS

D533,541	S	*	12/2006	Motoishi	D14/215
D645,453	S	*	9/2011	Kim	D14/215
D683,719	S	*	6/2013	Onoue	D14/215
D716,765	S	*	11/2014	Kim	D14/215
D764,441	S	*	8/2016	Crockett	D14/215
D831,613	S	*	10/2018	Kiong	D14/215
D832,237	S	*	10/2018	Kitazawa	D14/215
D945,395	S	*	3/2022	Chan	D14/215

OTHER PUBLICATIONS

Blue Sky Sat 8 & Sub 212. Blue Sky, soundonsound.com (online) 4 pages. Posted Feb. 2010. [Retrieved Aug. 3, 2023] <https://www.soundonsound.com/reviews/blue-sky-sat-8-sub-212> (Year: 2010).*
Cerwin Vega Home Audio. Cerwin Vega, amazon.com (online) 4 pages. Posted Apr. 10, 2014. [Retrieved Aug. 3, 2023] <https://a.co/d/8aHwScd> (Year: 2014).*

* cited by examiner

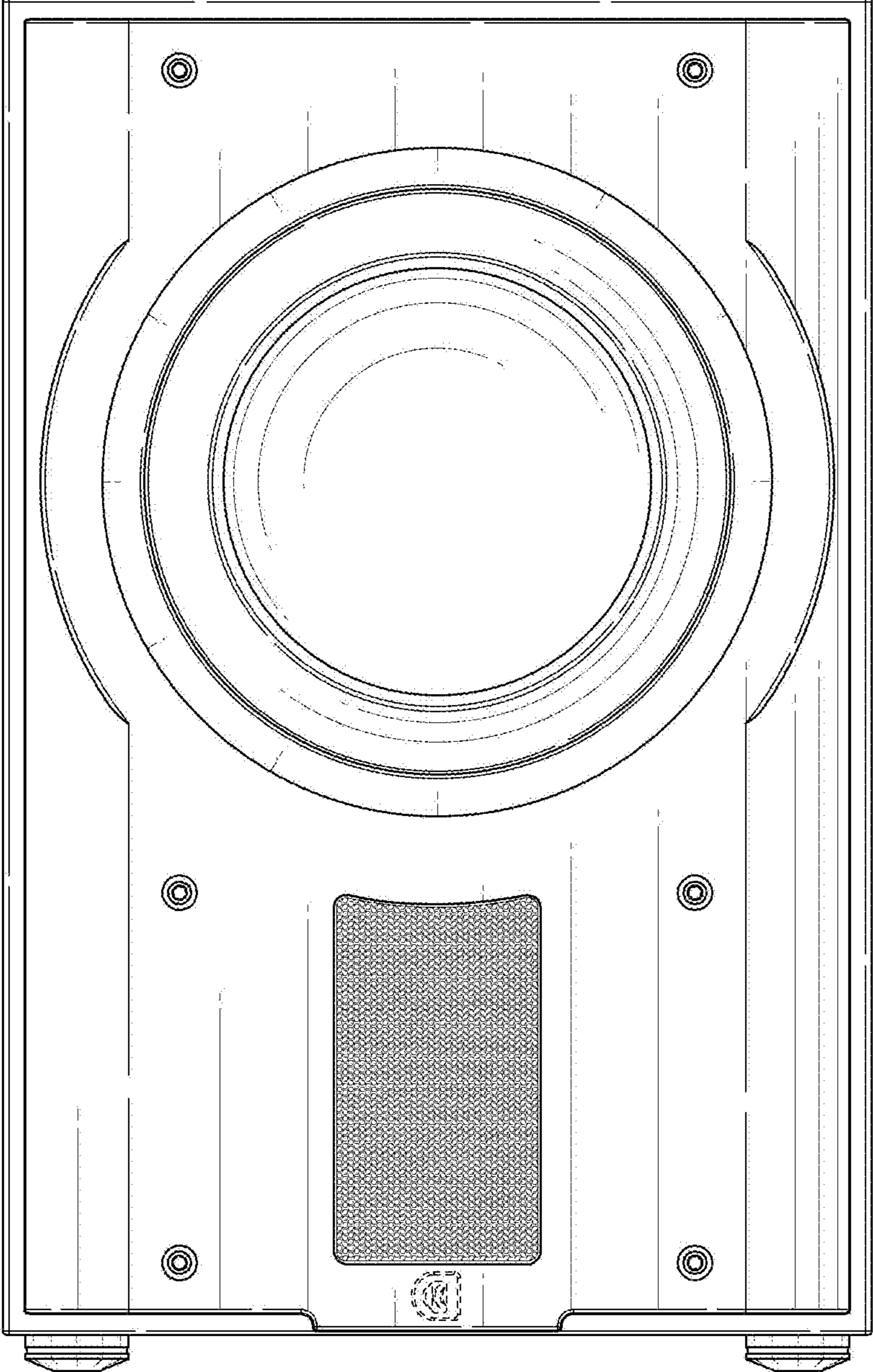


FIG. 1

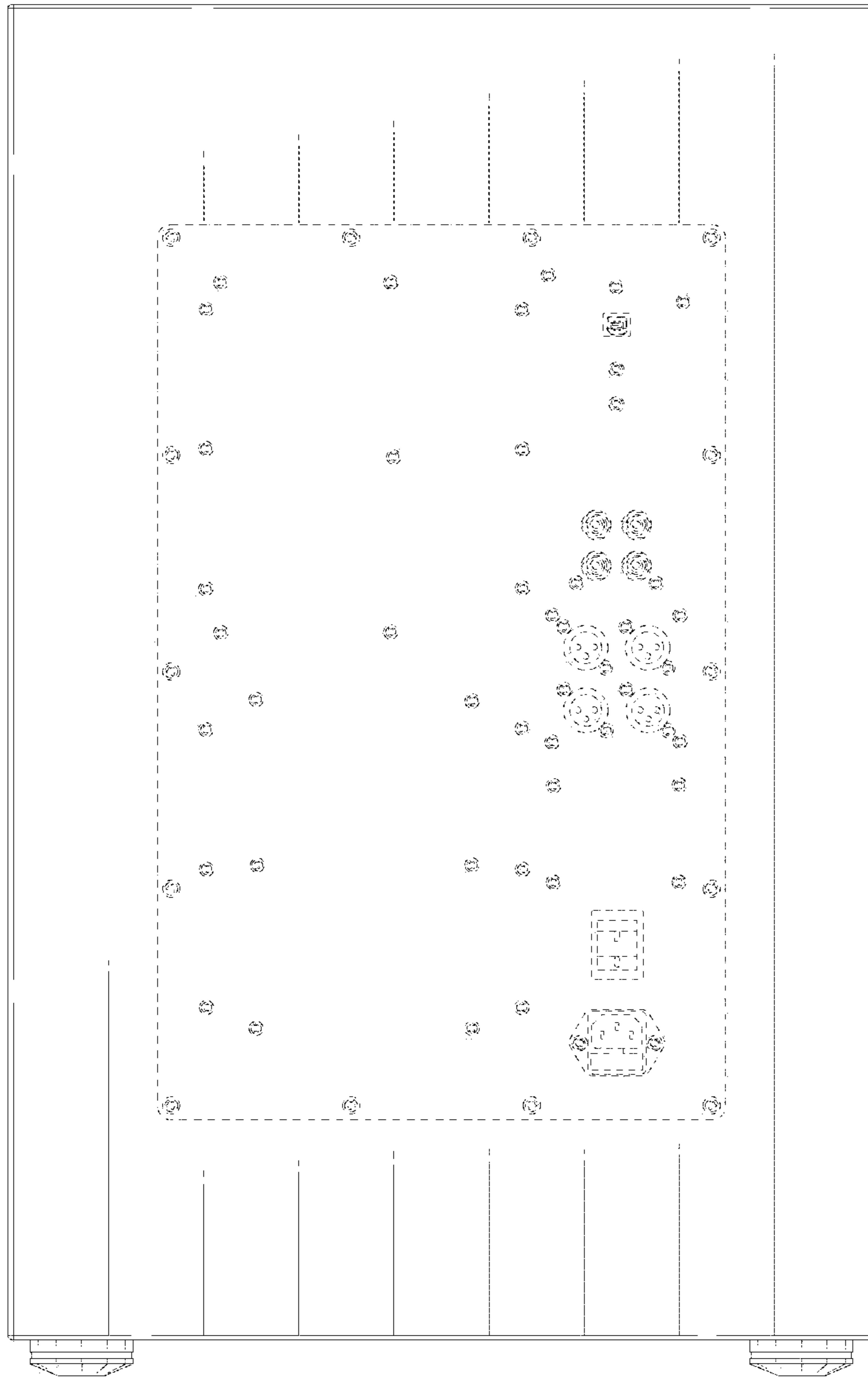


FIG. 2

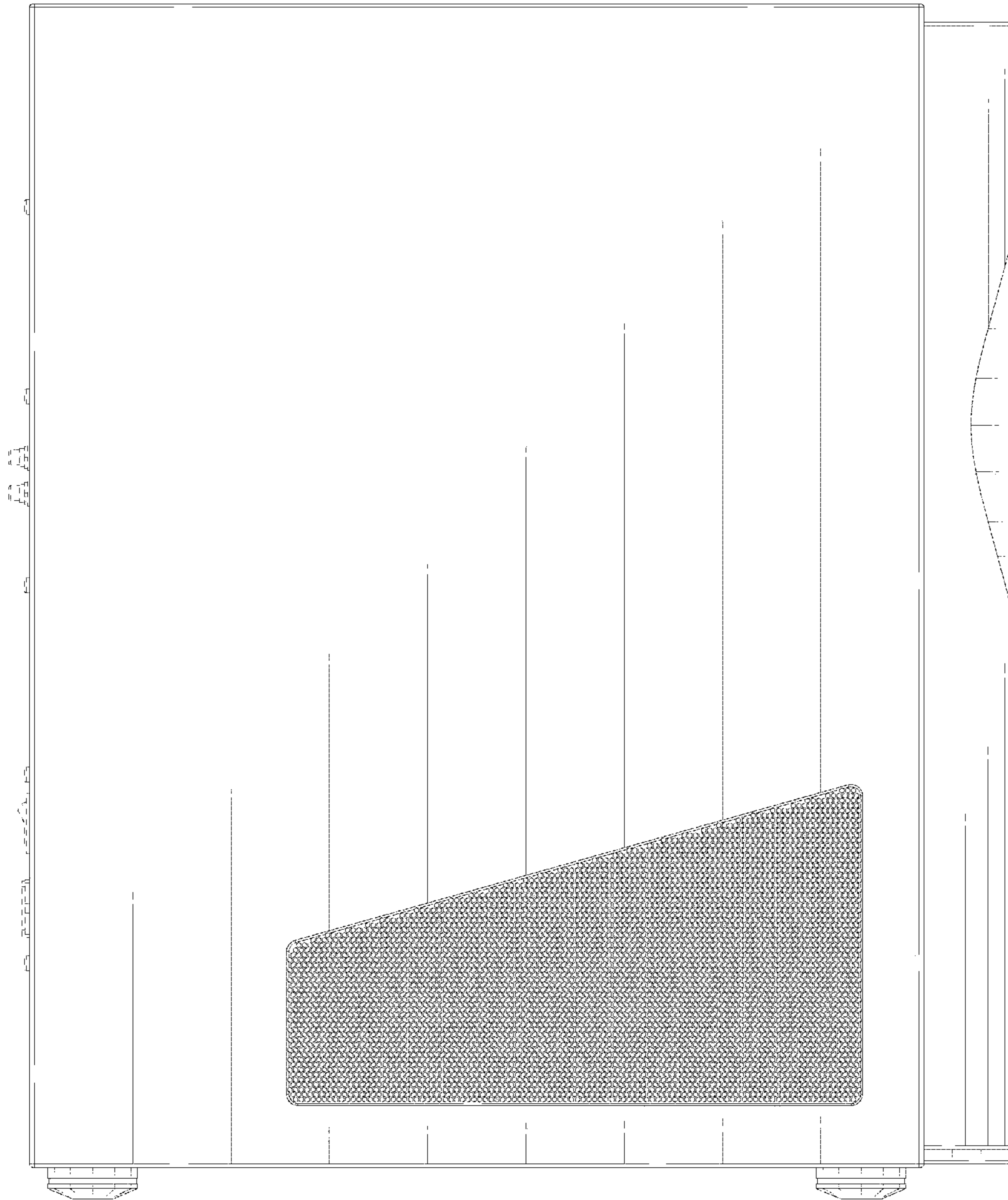


FIG. 3

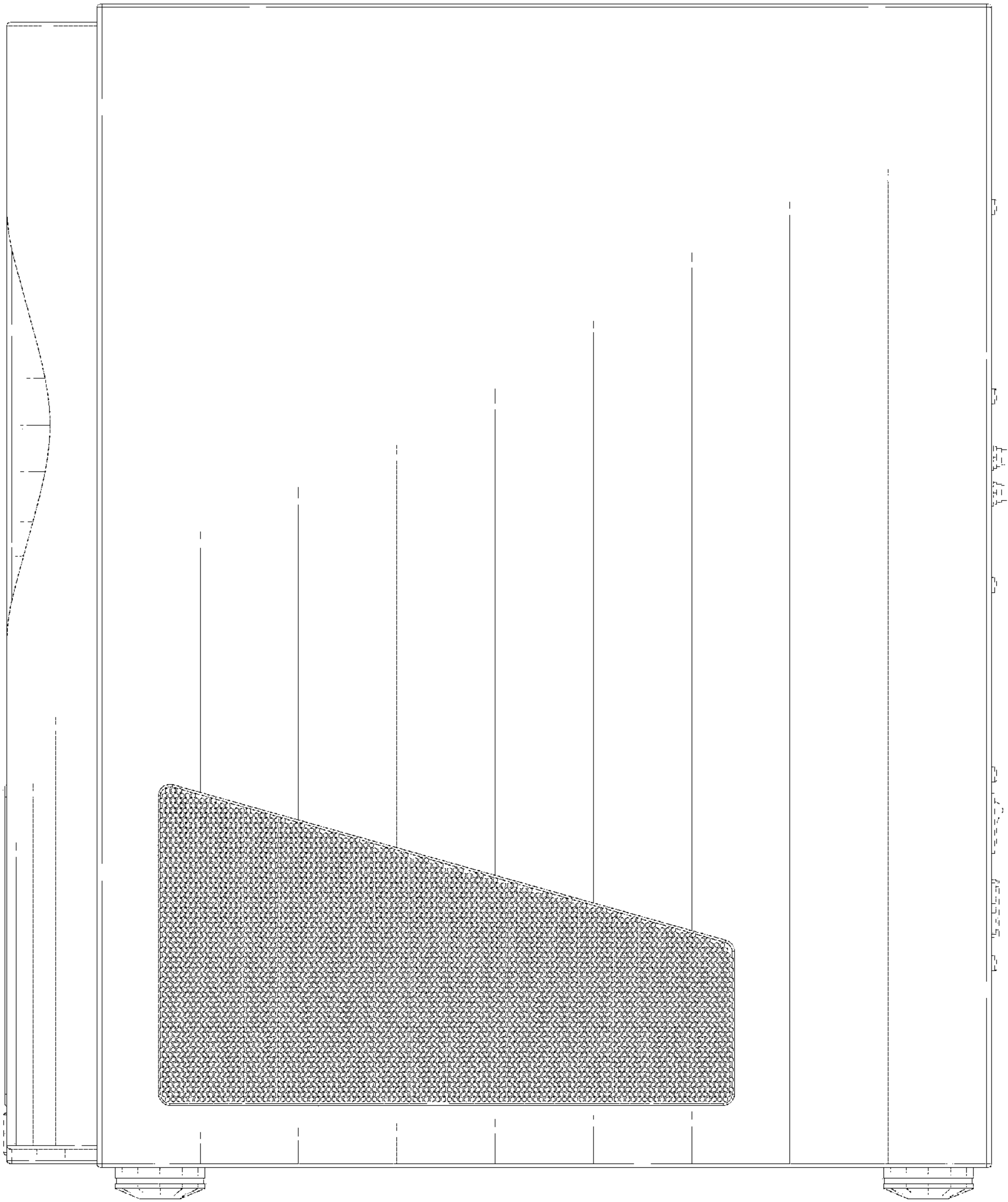


FIG. 4

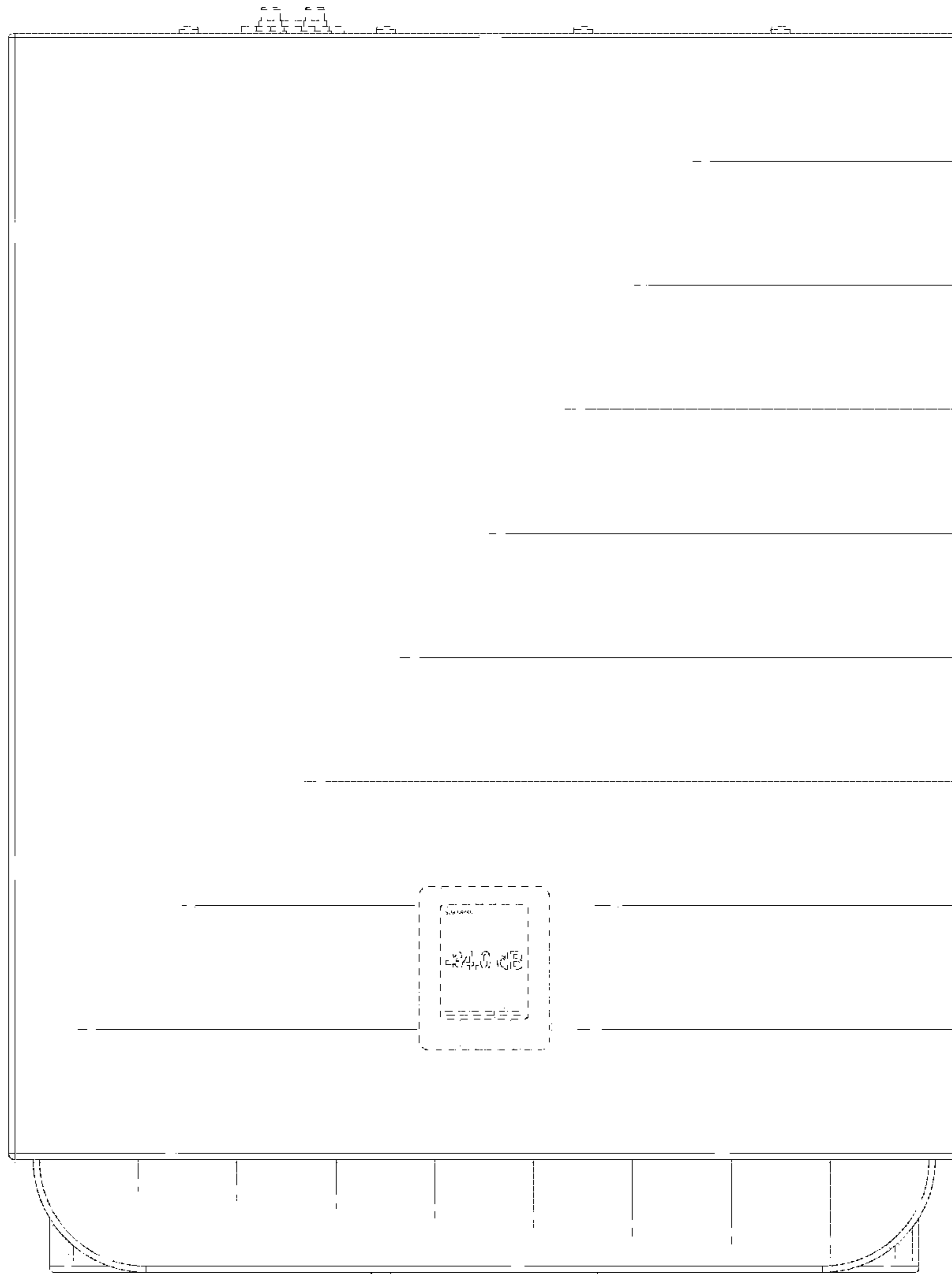


FIG. 5

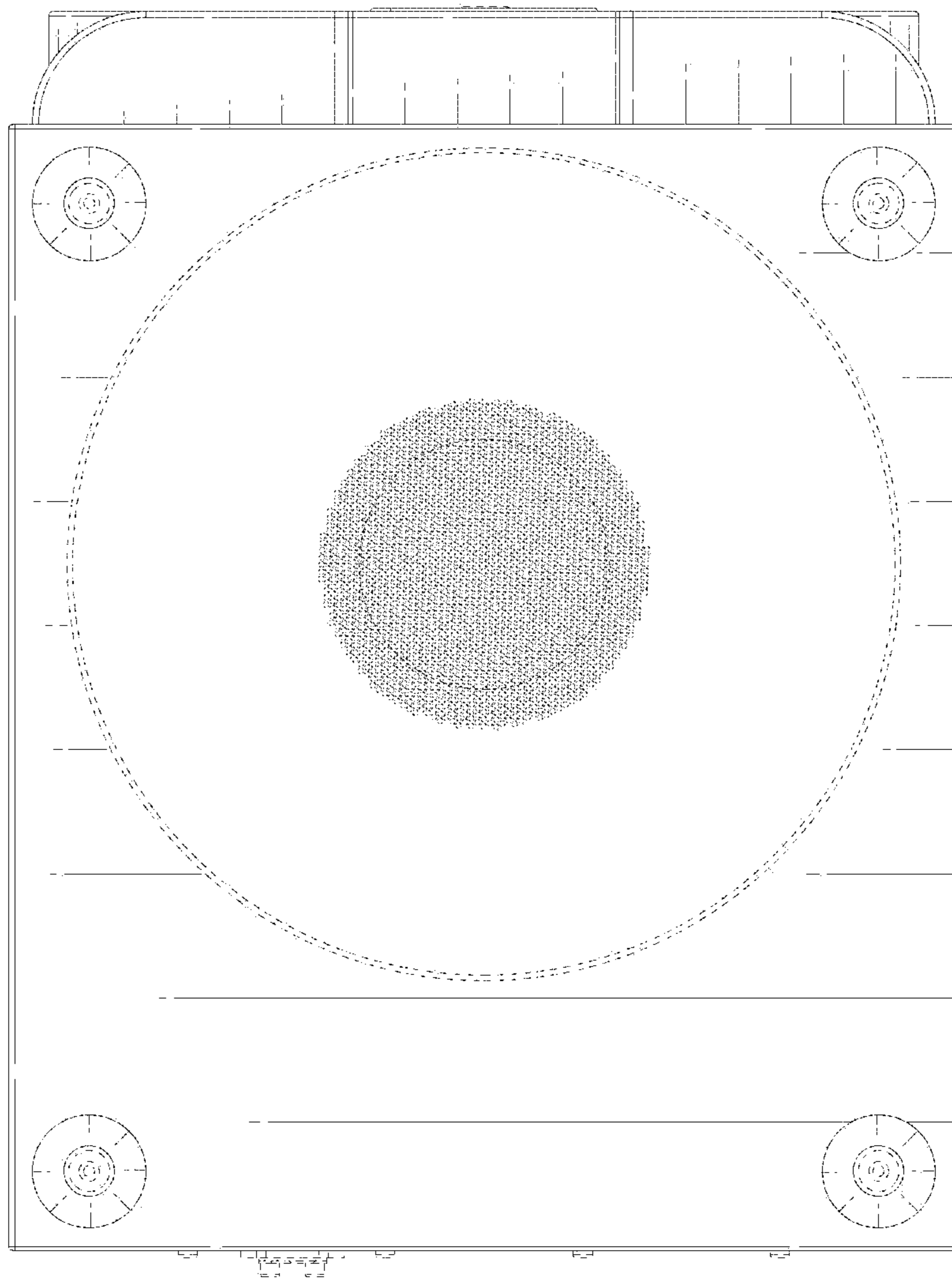


FIG. 6

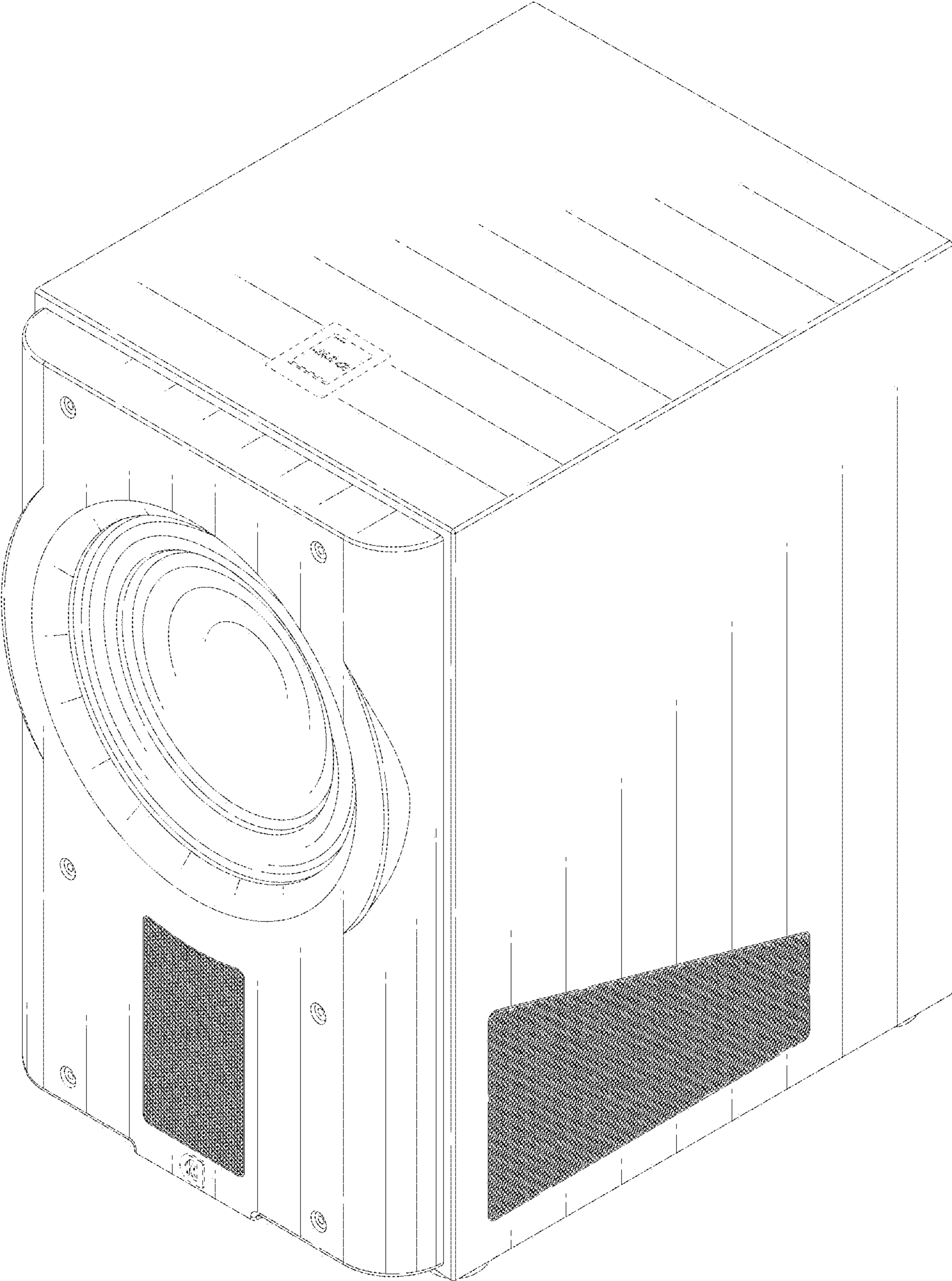


FIG. 7