



US0D1048986S

(12) **United States Design Patent** (10) **Patent No.:** **US D1,048,986 S**
Hix et al. (45) **Date of Patent:** **** Oct. 29, 2024**

(54) **MODEL VEHICLE CENTER SKID PLATE**

FOREIGN PATENT DOCUMENTS

(71) Applicant: **TRAXXAS, L.P.**, McKinney, TX (US)

EM 015010398-0001 3/2023

(72) Inventors: **Caleb Hix**, McKinney, TX (US); **Otto Karl Allmendinger**, Rowlett, TX (US); **Kent Poteet**, Lucas, TX (US); **Trent Collins**, McKinney, TX (US)

OTHER PUBLICATIONS

Dauerhaft Durable RC Car Skid Plate,Perfect Size Rc Car Center Gear Box Mount Rc Car Skid Plate,Easy To Install with Screws,for 90018 90048 1/10 RC Car; Jan. 26, 2021; <https://www.amazon.com/DAUERHAFT-Durable-Perfect-Center-Service/dp/B08V1ZZ3GZ>; 5Pgs. (Year: 2021).*

(73) Assignee: **TRAXXAS, L.P.**, McKinney, TX (US)

(**) Term: **15 Years**

(Continued)

(21) Appl. No.: **29/852,593**

Primary Examiner — Michelle E. Wilson

(22) Filed: **Sep. 8, 2022**

Assistant Examiner — Clese Moore, Jr.

(51) **LOC (14) Cl.** **12-16**

(74) Attorney, Agent, or Firm — Daryl R. Wright; Greg Carr

(52) **U.S. Cl.**

USPC **D12/196**

(58) **Field of Classification Search**

USPC D12/159, 160, 167, 190, 196, 400, 86;
D21/562, 561, 551, 550, 549, 548, 533,
D21/495

CPC A63H 17/262; A63H 17/26; A63H 17/002;
B62D 21/00; B62D 21/10; B62D 25/2072

See application file for complete search history.

(57) **CLAIM**

The ornamental design for a model vehicle center skid plate as shown and described.

(56) **References Cited**

U.S. PATENT DOCUMENTS

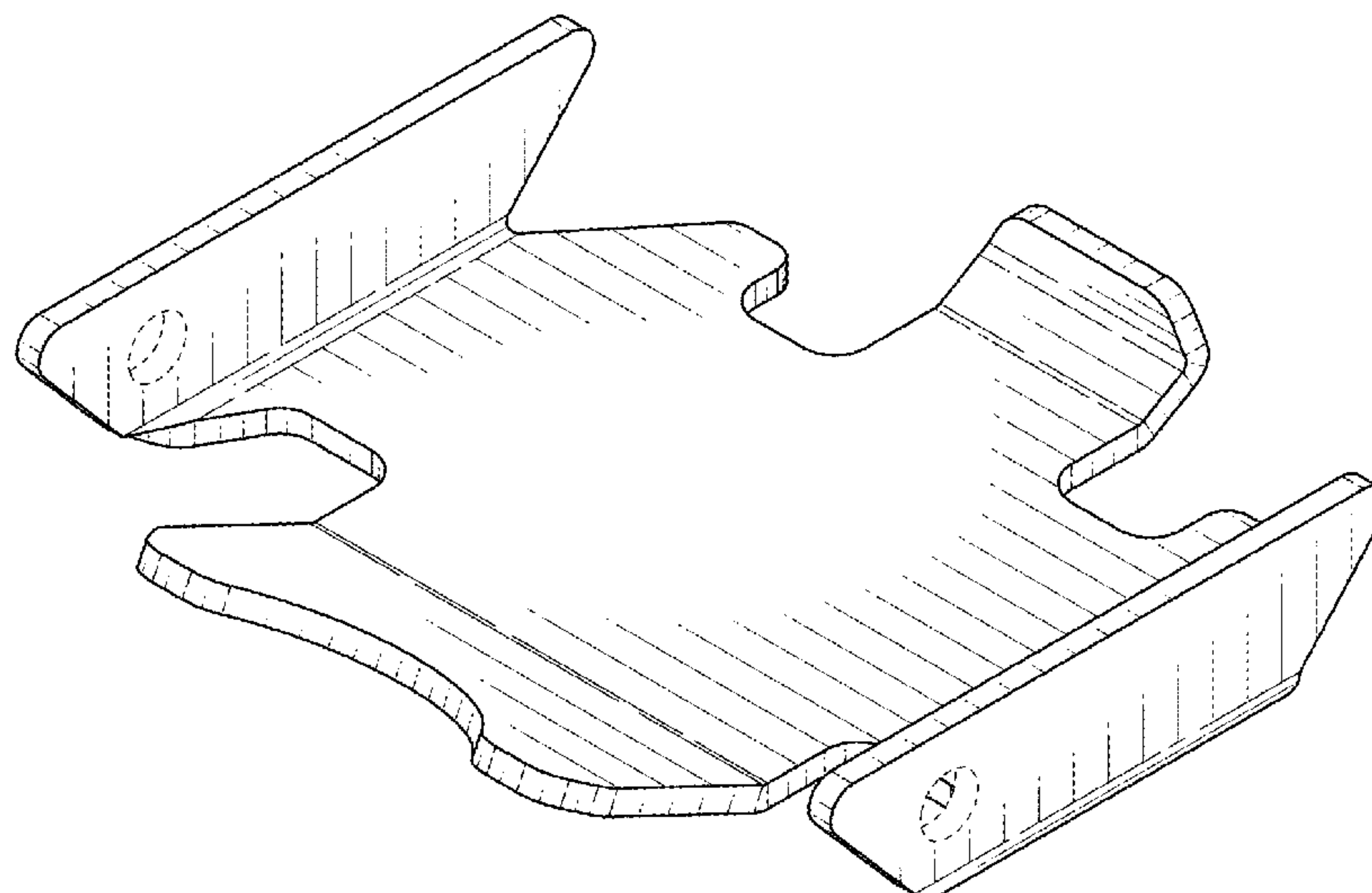
D309,930 S	8/1990	Asaeda	
D317,336 S	6/1991	Tsuchiya	
D332,979 S	2/1993	Tsuchiya	
D335,484 S	5/1993	Moyle et al.	
D381,376 S	7/1997	Edwards	
D403,023 S	12/1998	Araki	
D474,726 S *	5/2003	Weber	D12/14
D476,927 S	7/2003	Delgado	
D477,257 S	7/2003	Delgado	
D487,041 S *	2/2004	Schlachter	D12/196
D488,756 S *	4/2004	Gough	D12/196
D488,758 S *	4/2004	Gough	D12/196
D508,668 S *	8/2005	Marchese	D12/196
D509,466 S *	9/2005	Marchese	D12/196

(Continued)

DESCRIPTION

FIG. 1 is an upper, left, front perspective view of a model vehicle center skid plate showing our new design; FIG. 2 is a front elevation view thereof; FIG. 3 is a rear elevation view thereof; FIG. 4 is an upper plan view thereof; FIG. 5 is a lower plan view thereof; FIG. 6 is a right side elevation view thereof; FIG. 7 is a left side elevation view thereof; FIG. 8 is an upper, right, rear perspective view thereof; and, FIG. 9 is a lower, right, rear perspective view of the model vehicle center skid plate. In the drawings, the broken lines illustrate portions of the model vehicle center skid plate that form no part of the claimed design.

1 Claim, 6 Drawing Sheets



(56)

References Cited

U.S. PATENT DOCUMENTS

D534,593 S 1/2007 Yuen
 D556,094 S * 11/2007 May D12/126
 D577,083 S 9/2008 Nakayama
 D593,616 S 6/2009 Asai
 D597,151 S 7/2009 Ishikawa
 D616,797 S * 6/2010 Lamm D12/196
 D647,445 S * 10/2011 Tonello D12/196
 D690,639 S * 10/2013 Messale D12/196
 D691,074 S 10/2013 Dugardin
 D740,719 S 10/2015 Schanz et al.
 D751,953 S 3/2016 Hayes et al.
 D769,163 S * 10/2016 Platto D12/196
 D779,392 S 2/2017 Hare
 D786,146 S * 5/2017 Woodhouse D12/167
 D800,621 S * 10/2017 Bucher D12/196
 D822,126 S 7/2018 Allmendinger et al.
 D828,262 S * 9/2018 Yates D12/196
 D842,788 S * 3/2019 Wymore D12/196
 D852,698 S 7/2019 Grewer
 D857,575 S 8/2019 Harriton et al.
 D857,576 S 8/2019 Harriton et al.
 D858,395 S * 9/2019 Harriton D12/196
 D860,088 S 9/2019 Harriton et al.
 D864,819 S 10/2019 Grossaint
 D867,232 S 11/2019 Izard
 D870,606 S 12/2019 Hagler et al.
 D870,615 S 12/2019 Wood
 D874,999 S 2/2020 Ewing et al.
 D877,014 S 3/2020 Harriton et al.
 D894,809 S 9/2020 Chi
 D899,989 S * 10/2020 Chi D12/196
 10,814,917 B2 10/2020 Lorenz et al.
 D907,541 S 1/2021 Cox
 D923,112 S 6/2021 Hagler et al.
 D923,113 S 6/2021 Hagler et al.
 D923,114 S 6/2021 Hagler et al.
 D924,338 S 7/2021 Wood et al.
 D925,661 S 7/2021 Hagler et al.
 D928,679 S 8/2021 Liang
 D930,760 S 9/2021 Ewing et al.
 D950,449 S 5/2022 Kil
 D960,061 S * 8/2022 Langhals D12/196
 D960,255 S 8/2022 Ewing et al.
 D964,482 S 9/2022 Ewing et al.
 D965,490 S 10/2022 Akrapovic et al.
 D977,382 S 2/2023 Kim et al.
 D998,720 S 9/2023 Sprowl et al.
 2011/0005424 A1 1/2011 Stiedl
 2020/0276951 A1 9/2020 Riva
 2020/0276952 A1 9/2020 Aizawa et al.
 2020/0322546 A1 10/2020 Carolus et al.
 2021/0046395 A1 2/2021 Allmendinger et al.
 2023/0219010 A1 7/2023 Christensen et al.
 2024/0115965 A1 4/2024 Christensen et al.

OTHER PUBLICATIONS

RCLions Stainless Steel Center Skid Plate Protection Plate Chassis Guard for Axial SCX24 AXI90081 AXI00001 AXI00002 Upgrades Parts 1:24 RC Crawler Car; Sep. 10, 2023; <https://www.amazon.com/RCLions-Stainless-Protection-AXI90081-Upgrades/dp/B08L96KYBR#customerReviews>; 8Pgs. (Year: 2023).
 Skid plates. (Design—© Questel) orbit.com. [Online PDF compilation of references] 49 pgs. Print Dates Range Aug. 19, 2022—Mar. 25, 2010 [Retrieved Apr. 10, 2024].
 RPM Traxxas Sledge Front Bumper & Skid Plate. 2024. Hobby Time RC. <https://www.hobbytime.com/rpm-traxxas-sledge-front-bumper-skid-plate-black-7.html>.

Front Bumper and Skid Plate for the Traxxas Sledge. 2024. RPM RC. <https://rpmrcproducts.com/shop/bumpers/front-bumpers/front-bumper-and-skid-plate-for-the-traxxas-sledge/>.
 RPM70982, RPM Traxxas Sledge Front Bumper & Skid Plate. 2024. Race Day Quads. <https://www.racedayquads.com/products/rpm70982-rpm-traxxas-sledge-front-bumper-skid-plate-black>.
 Ege Arguden, et al.; U.S. Pat. No. D1,008,114; Vehicle Rear Skid Plate; Dec. 19, 2023.
 Traxxas Sledge Rear Bumper w/ Skid plate & Tie Bar Mount, as shown in www.hobbytown.com, Jul. 19, 2022, #TRA9536. (Year: 2022).
 Billet Machined Front Skid Plate & Bumper w/ 1-Pc Block for Traxxas 1/8 Sledge C32941 Grey New Item, Item#C32941 Grey Barcode: 91789045338, as shown in www.integy.com, No date listed. (Year: NA) (Year: NA).
 Christensen, Casey Christen Jens, et al.; U.S. Pat. No. D1,002,751; Model Vehicle Skid Pad; Oct. 24, 2023.
 Unknown, Axial SCX10 II 2000 Jeep Cherokee 1/10th Scale Electric 4WD-RTR; <http://www.axialracing.com/products/ax90047>; Aug. 2016.
 Unknown, Axial SCX10 Deadbolt 1/10th Scale Electric 4WD—RTR; <http://axialracing.com/products/ax90044>; Aug. 2016.
 Unknown, Tibus Off-Road Engineering; Land Rover Defender, <http://www.tibus-offroad.com/en/products/bolt-on-portals/land-rover/>; Aug. 2016.
 Unknown, HPI Racing; HPI Venture FJ Cruiser; <http://www.hpiracing.com/en/article/view/2016012702>; Aug. 2016.
 Unknown, Traxxas; Slash 4x4 Overview; Oct. 2009.
 Traxxas Skidplate Set, Earliest Available Date Jul. 17, 2009 [Online], [Site Visited Nov. 3, 2020] Available From Internet, URL: <https://www.amainhobbies.com/traxxas-skidplate-set-tra7037/p139497?gclid=EA1aIQobChMIz9HfodHm7AIVy8DICH1FYgZzEAQYAyABEGlQ2fD_BwE> (Year: 2009).
 ARB Skid Plates for Toyota Tacoma (2005+), Tin-Eye Date Dec. 7, 2019 [Online], [Site Visited Nov. 3, 2020] Available From Internet, URL: <<https://aventuron.com/collections/arb/products/arb-skid-plates-for-toyota-tacoma-2005>> (Year: 2019).
 Traxxas XRT Center Skid Plate, as shown in www.amainhobbies.com, May 16, 2023, Part # TRA7837. (Year: 2023).
 Traxxas X-Maxx Center Skid Plate, as shown in www.amazon.com, Jan. 5, 2016, ASIN B01A6YD5H4. (Year: 2016).
 Ajrc Escape Board Climbing Car Skid Plate For 1/18 Rc Tracked Vehicle Traxxas Trx4m Defender Bronco Wpl D12 Mn-d90 Escape Board, as shown in www.aliexpress.com, no date listed, date found Jun. 6, 2024. (Year: 2024).
 HPI Racing—Center Skid Plate (Savage XL Flux V2) HP160311, as shown in www.eurorc.com, no date listed, date found Jun. 6, 2024. (Year: 2024).
 Traxxas XRT Front and Rear Skid Plates, as shown in www.hobbytown.com, Jun. 12, 2023, Part # TRA7844. (Year: 2023).
 Underbody Skid Shield Package, as shown in www.accessories.gmc.com, no date listed, date found Jun. 6, 2024. Part No. 84962765. (Year: 2024).
 Traxxas X-Maxx Skid Plate, Front & Rear, as shown in www.amazon.com, Jan. 5, 2016, ASIN B01A6YD5IS. (Year: 2016).
 Hagler, Skylar, et al.; U.S. Pat. No. D1,013,062; Model Vehicle Wing; Jan. 30, 2024.
 Allmendinger, Otto Karl, et al.; U.S. Pat. No. D1,016,180; Model Vehicle Lower Skid Pad; Feb. 27, 2024.
 Soward, Terry, et al.; U.S. Pat. No. D1,017,485; Model Vehicle Bumper Assembly; Mar. 12, 2024.
 Christensen, Casey Christen Jens, et al.; U.S. Pat. No. D1,017,722; Model Vehicle Skid Pad; Mar. 12, 2024.
 Traxxas 9623 Skidplate, Chassis, Black: Sledge, as shown in www.amazon.com, Mar. 10, 2023, ASIN B0C9LMCNSV. (Year: 2023).
 Traxxas Sledge Chassis Skidplate (Blue), as shown in www.hobbytown.com, Feb. 24, 2023, Part # TRA9623X. (Year: 2023).

* cited by examiner

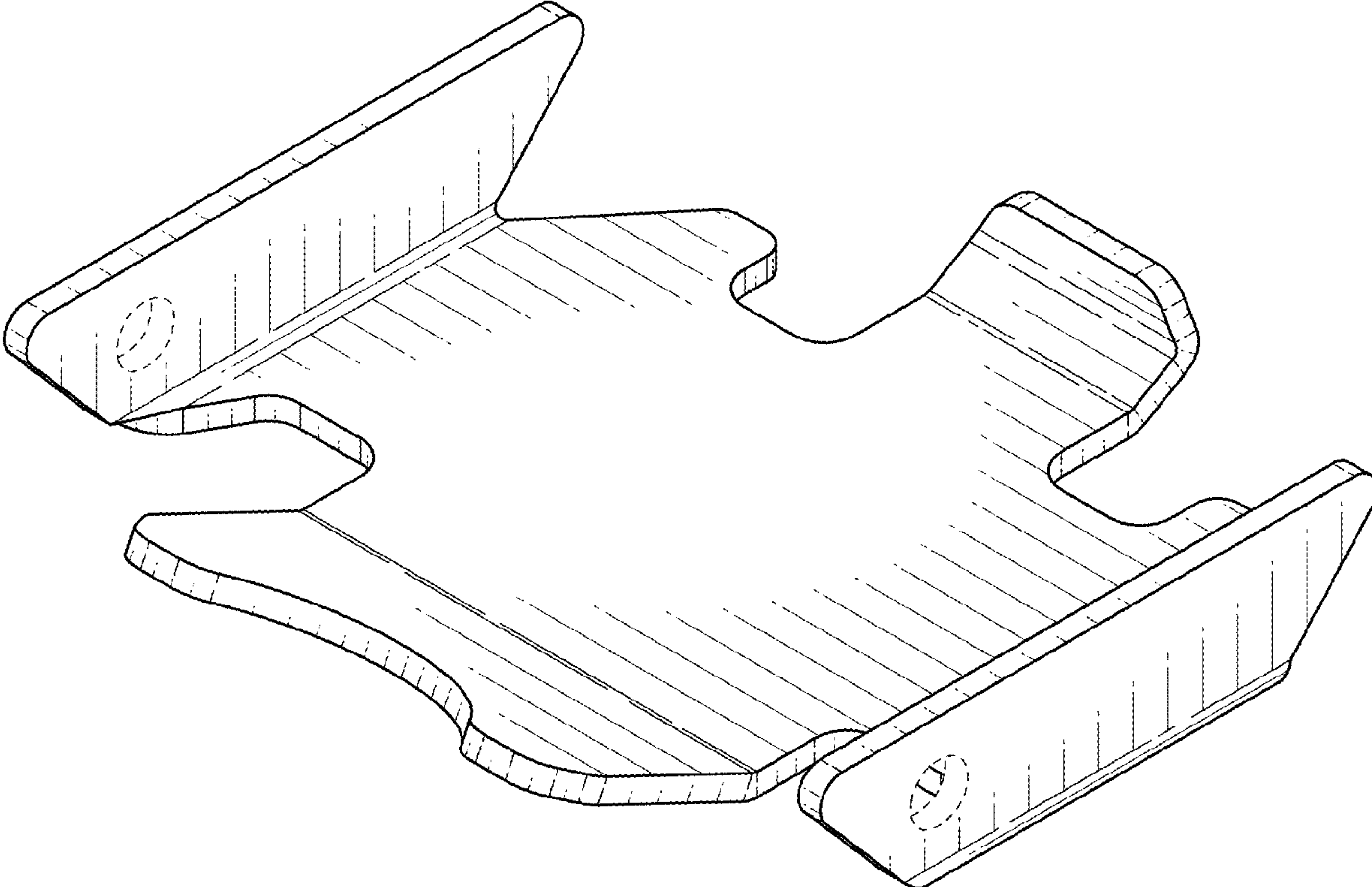


FIG. 1

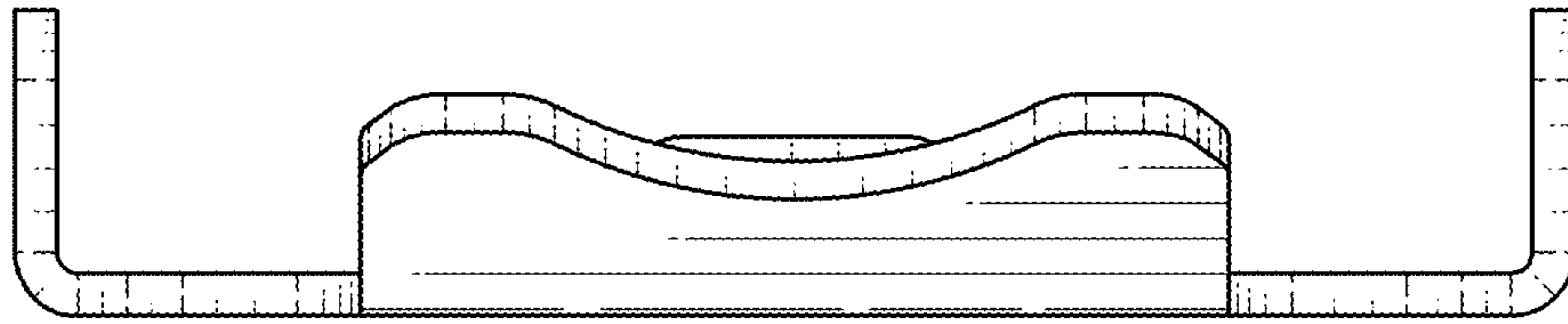


FIG. 2

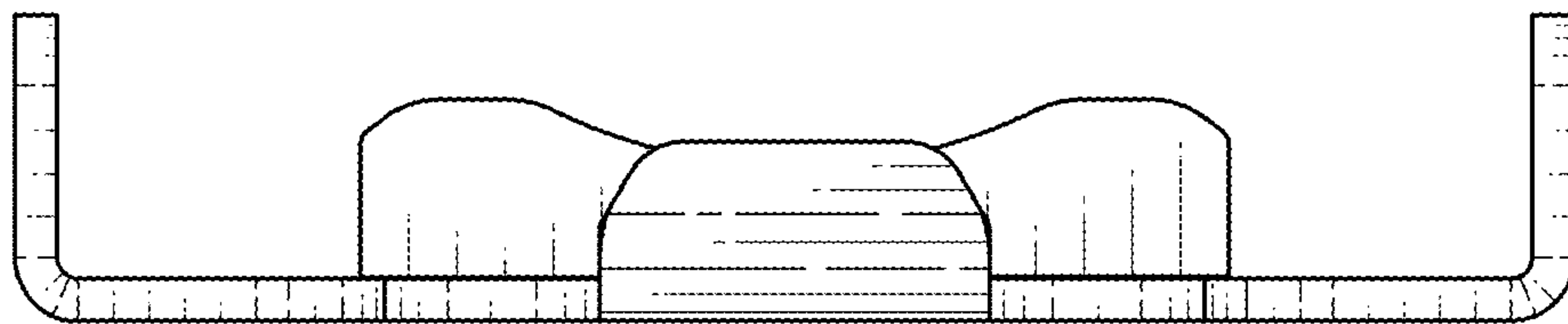


FIG. 3

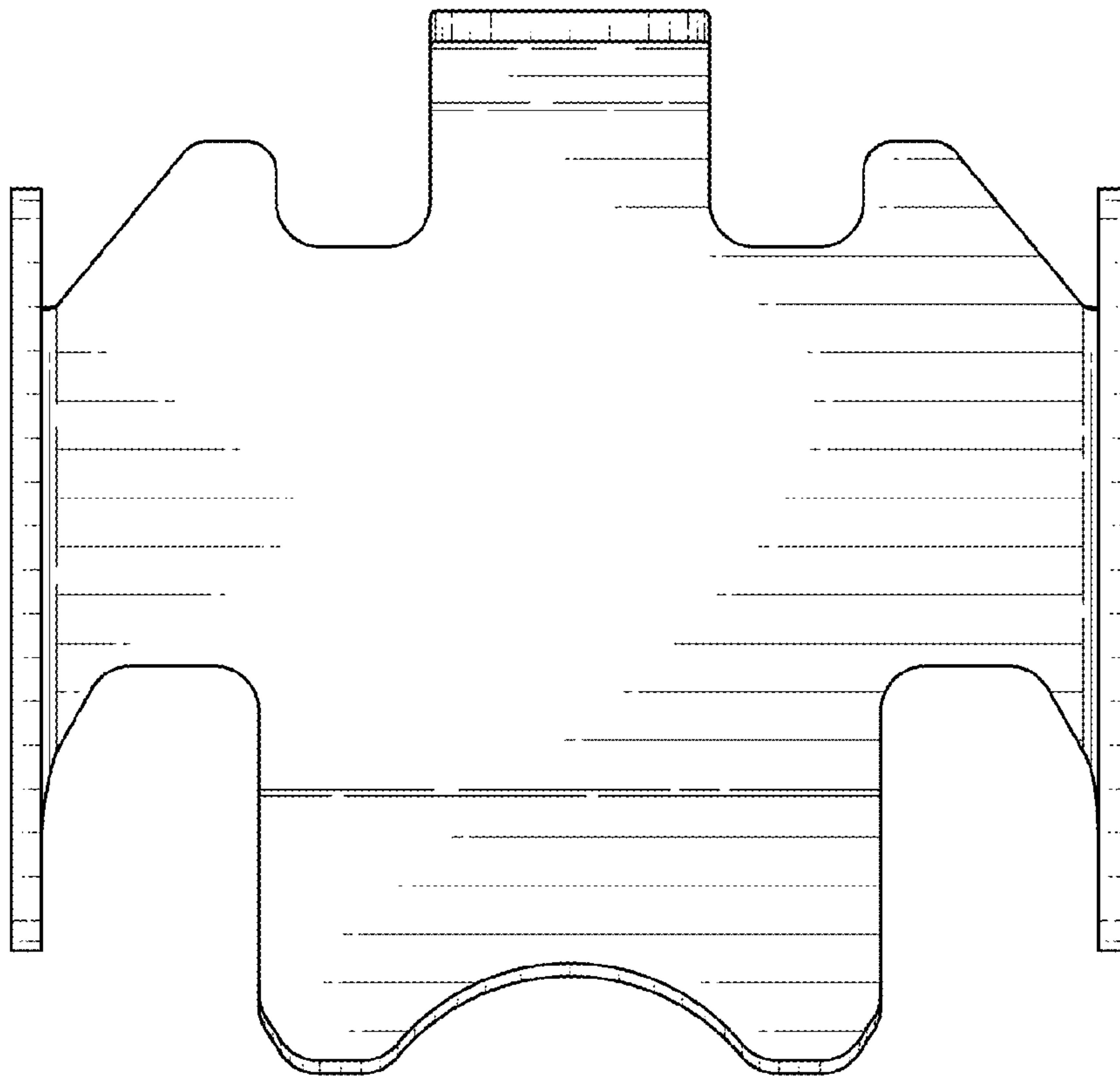


FIG. 4

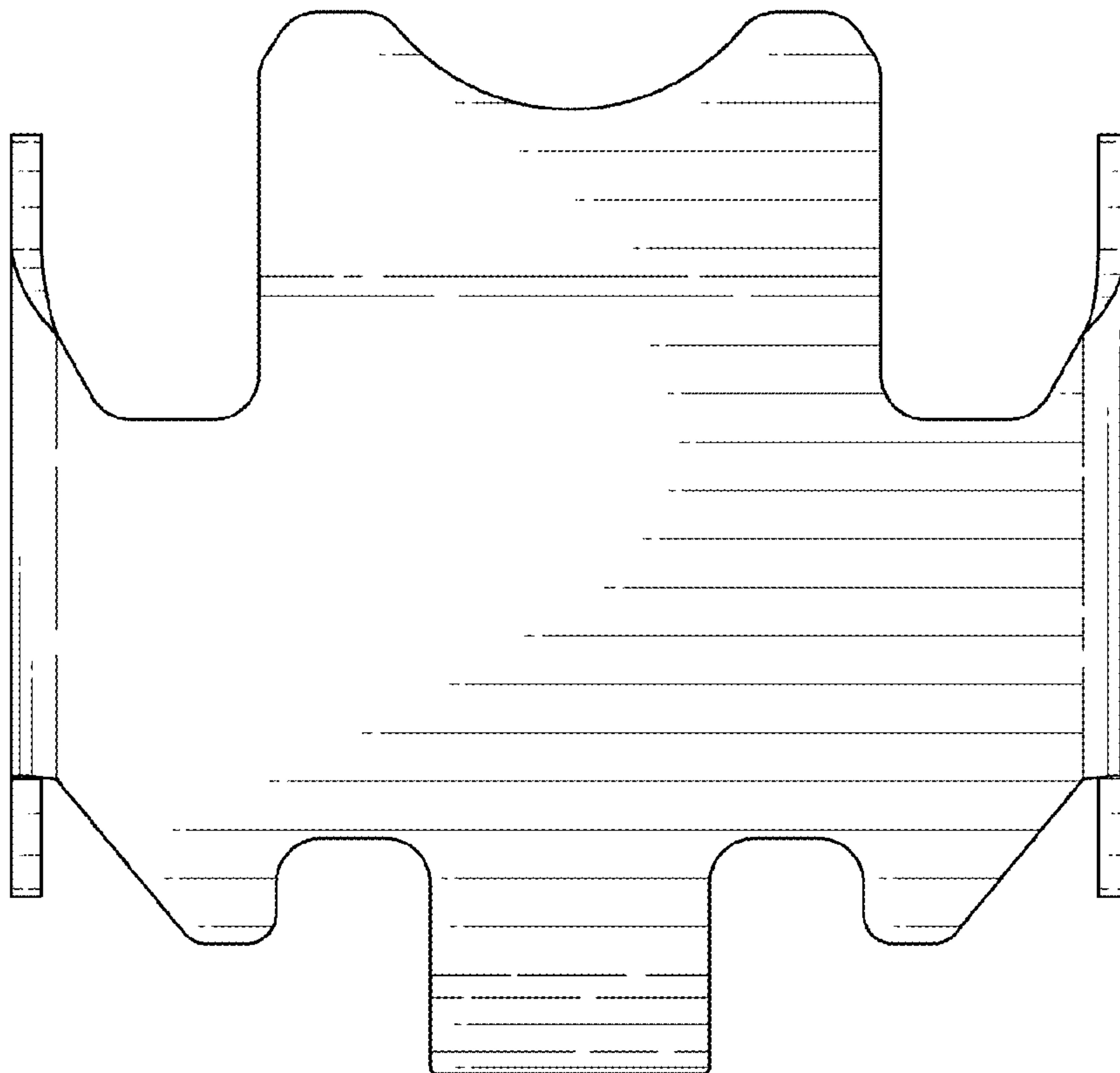


FIG. 5

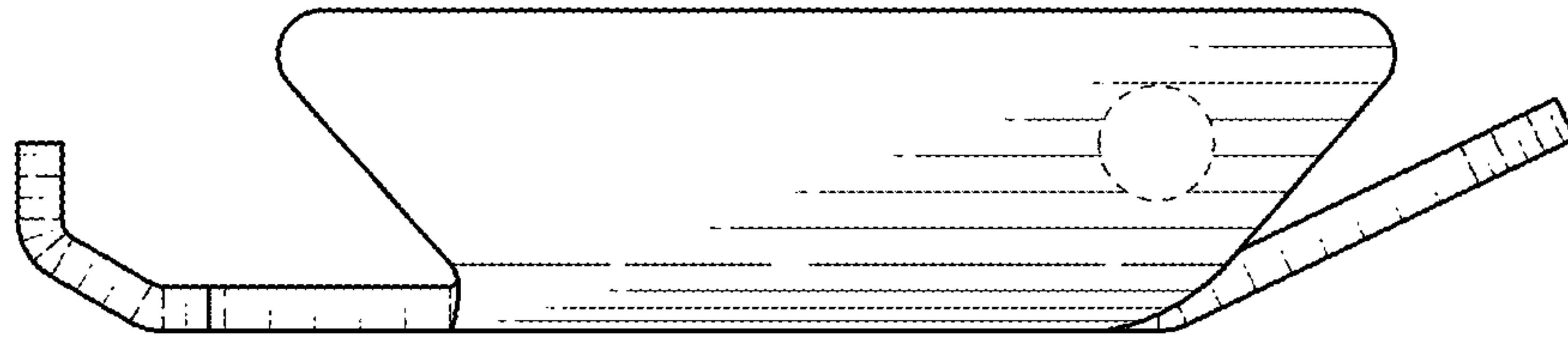


FIG. 6

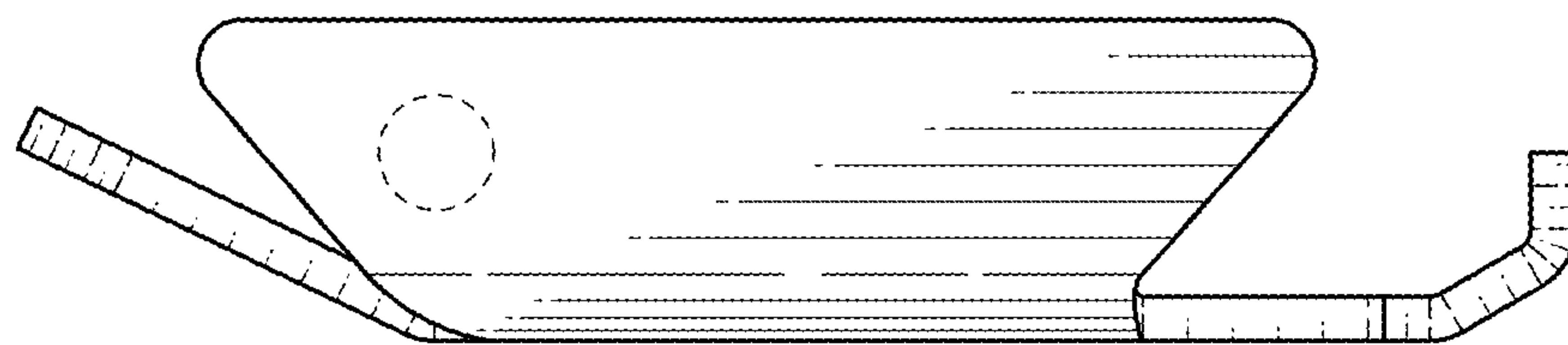


FIG. 7

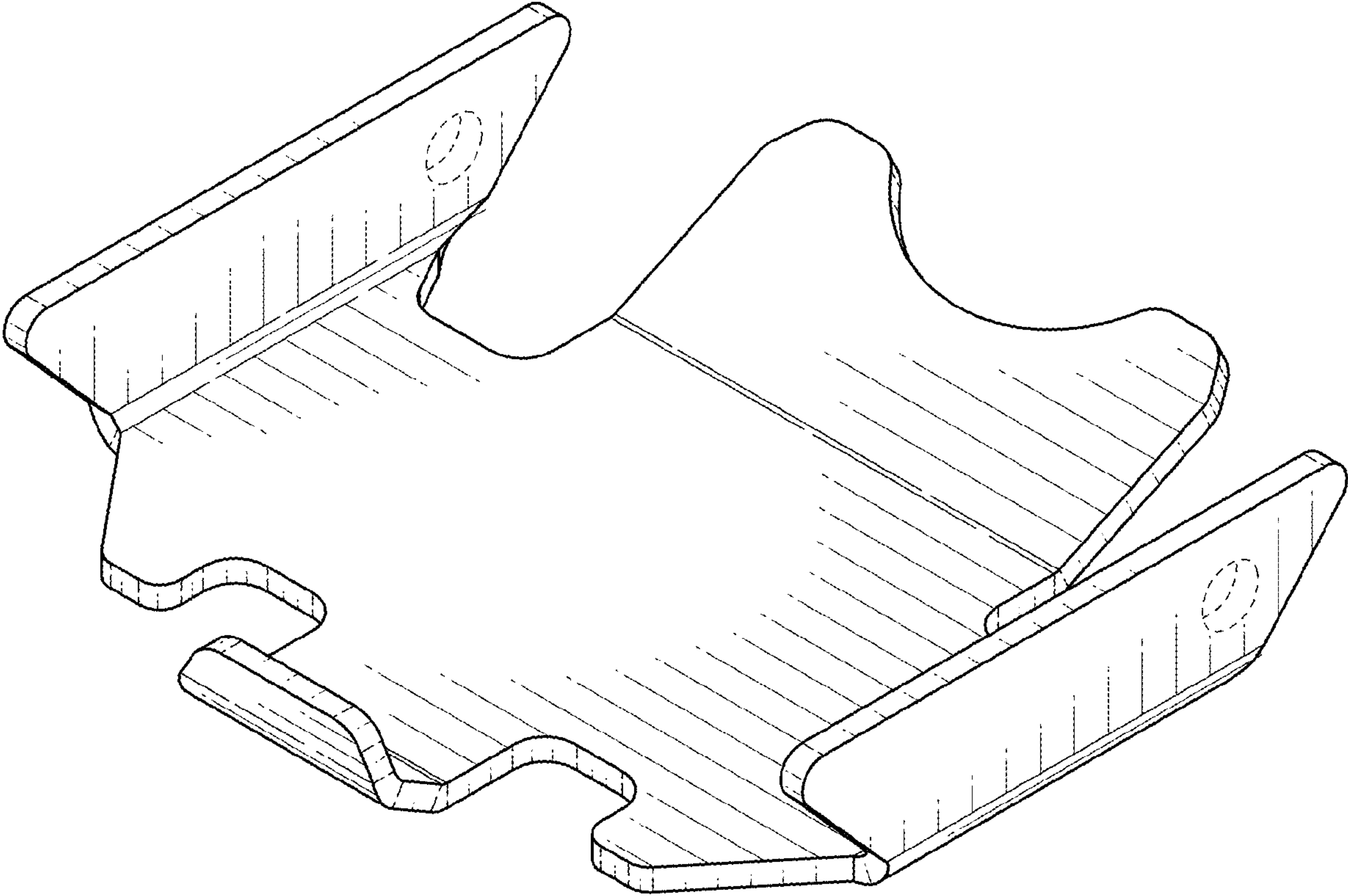


FIG. 8

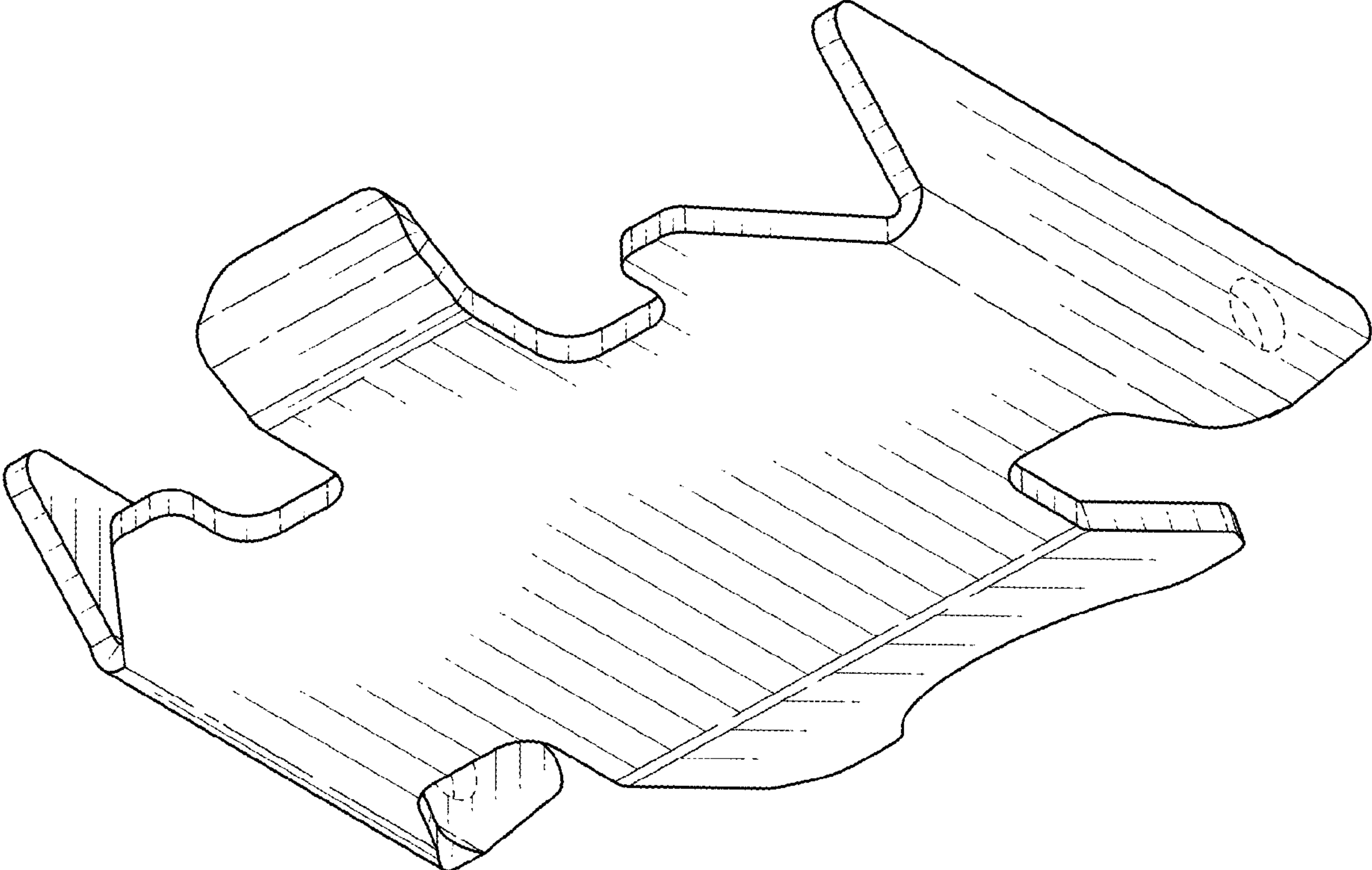


FIG. 9