



US0D1048955S

(12) **United States Design Patent** (10) **Patent No.:** **US D1,048,955 S**
Olmos (45) **Date of Patent:** **** Oct. 29, 2024**

(54) **MOUNTAIN BIKE STAND**
(71) Applicant: **Jaime Olmos**, Miniffee, CA (US)
(72) Inventor: **Jaime Olmos**, Miniffee, CA (US)
(**) Term: **15 Years**
(21) Appl. No.: **29/772,398**
(22) Filed: **Mar. 1, 2021**
(51) **LOC (14) Cl.** **08-10**
(52) **U.S. Cl.**
USPC **D12/115**
(58) **Field of Classification Search**
USPC D12/115, 120, 406, 407, 408
CPC B60R 9/06; B60R 9/10; B62H 3/00; B62H
3/02; B62H 3/04; B62H 3/08; B62H
3/10; B62H 3/12
See application file for complete search history.

(56) **References Cited**
U.S. PATENT DOCUMENTS
1,590,769 A 9/1897 Pearson
1,241,486 A * 10/1917 Armstrong B62H 3/12
211/195
2,805,860 A 7/1954 Littig
3,712,637 A * 1/1973 Townsend B62H 3/00
D12/120
3,877,726 A * 4/1975 Foster B62H 1/00
280/294
D239,072 S 3/1976 Adams
3,980,320 A * 9/1976 Marchello B62H 1/00
D12/120
D252,201 S * 6/1979 Severloh D12/115
4,180,253 A * 12/1979 Ivers B66F 15/00
269/296
4,306,660 A * 12/1981 Livingston B62H 3/04
211/20
D263,945 S * 4/1982 Voegeli D12/115
4,979,759 A 12/1990 Solovay

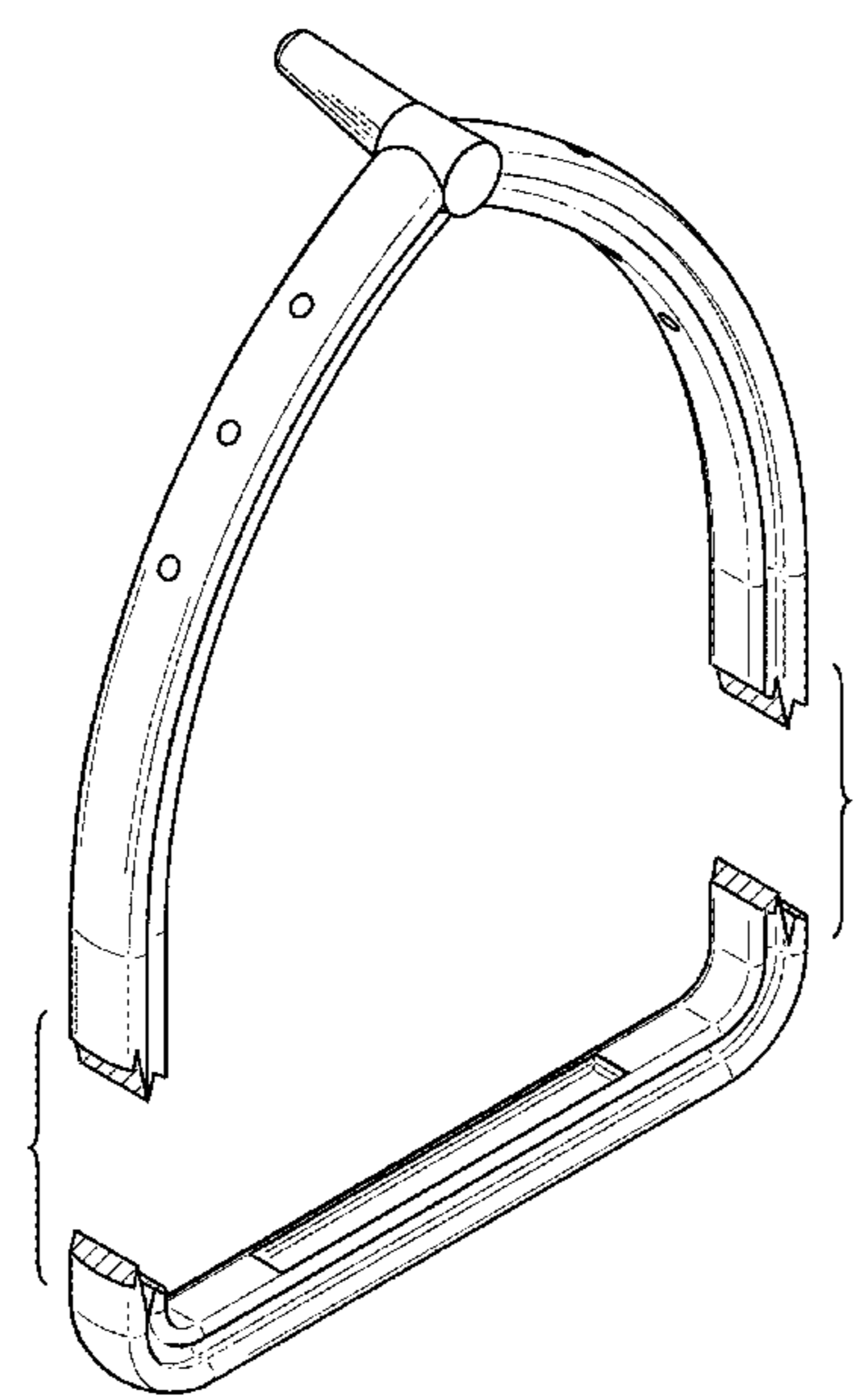
5,497,967 A * 3/1996 Gantois B25H 1/0014
248/166
5,498,015 A 3/1996 Trout et al.
5,979,878 A * 11/1999 Blankenship B25H 1/0014
254/131

(Continued)
Primary Examiner — Michelle E. Wilson
Assistant Examiner — Clese Moore, Jr.
(74) *Attorney, Agent, or Firm* — Kirk A. Buhler; Buhler
& Associates

(57) **CLAIM**
The ornamental design for a mountain bike stand, as shown
and described.

DESCRIPTION
FIG. 1 is a top front perspective view of a mountain bike
stand, showing my new design;
FIG. 2 is a front elevation view thereof;
FIG. 3 is a rear elevation view thereof;
FIG. 4 is a right-side elevation view thereof;
FIG. 5 is a left side elevation view thereof;
FIG. 6 is a left side sectional view taken along lines 6-6 from
FIG. 2 thereof;
FIG. 7 is a top plan view thereof;
FIG. 8 is a bottom view thereof;
FIG. 9 is a bottom sectional view taken along lines 9-9 from
FIG. 2 thereof;
FIG. 10 is a top sectional view taken along lines 10-10 from
FIG. 2 thereof;
FIG. 11 is a bottom rear perspective view thereof; and,
FIG. 12 is a rear perspective view shown in an environment
of use.
The broken lines in FIG. 12 depict environmental subject
matter of a bike, and tools that form no part of the claimed
design.
The claimed design is shown with a symbolic break in its
length the appearance of any portion of the article between
the break lines forms no part of the claimed design.

1 Claim, 7 Drawing Sheets



(56)

References Cited

U.S. PATENT DOCUMENTS

6,027,133 A * 2/2000 Phillips B62H 3/10
248/346.03
6,257,419 B1 * 7/2001 Kamysiak B62H 3/00
211/22
D548,144 S * 8/2007 Swinson, III D12/120
D554,025 S * 10/2007 Van Valkenburgh D12/115
D585,793 S * 2/2009 Skalka B62H 3/08
D12/115
7,789,410 B1 * 9/2010 White B62H 3/10
280/298
D697,837 S * 1/2014 Kirn D12/115
D718,193 S 11/2014 Diorio
9,033,160 B1 * 5/2015 Diorio B62H 3/10
211/5
D776,578 S * 1/2017 Kuo D12/115
D780,641 S * 3/2017 Sagen D12/115
D846,450 S * 4/2019 Fickett D12/115
10,252,759 B2 4/2019 Chuang
10,654,536 B1 5/2020 Moreno
2007/0138111 A1 * 6/2007 Schairer B62H 3/10
211/20
2009/0256123 A1 10/2009 Heck
2010/0122958 A1 * 5/2010 Tsai B62H 3/04
211/22
2011/0275488 A1 * 11/2011 Hamilton A63B 69/16
482/61
2014/0035267 A1 2/2014 Moore
2015/0122749 A1 * 5/2015 Diorio B25H 1/0014
211/5
2015/0210332 A1 * 7/2015 Jensen B62H 3/10
280/304
2018/0370588 A1 12/2018 Chuang

* cited by examiner

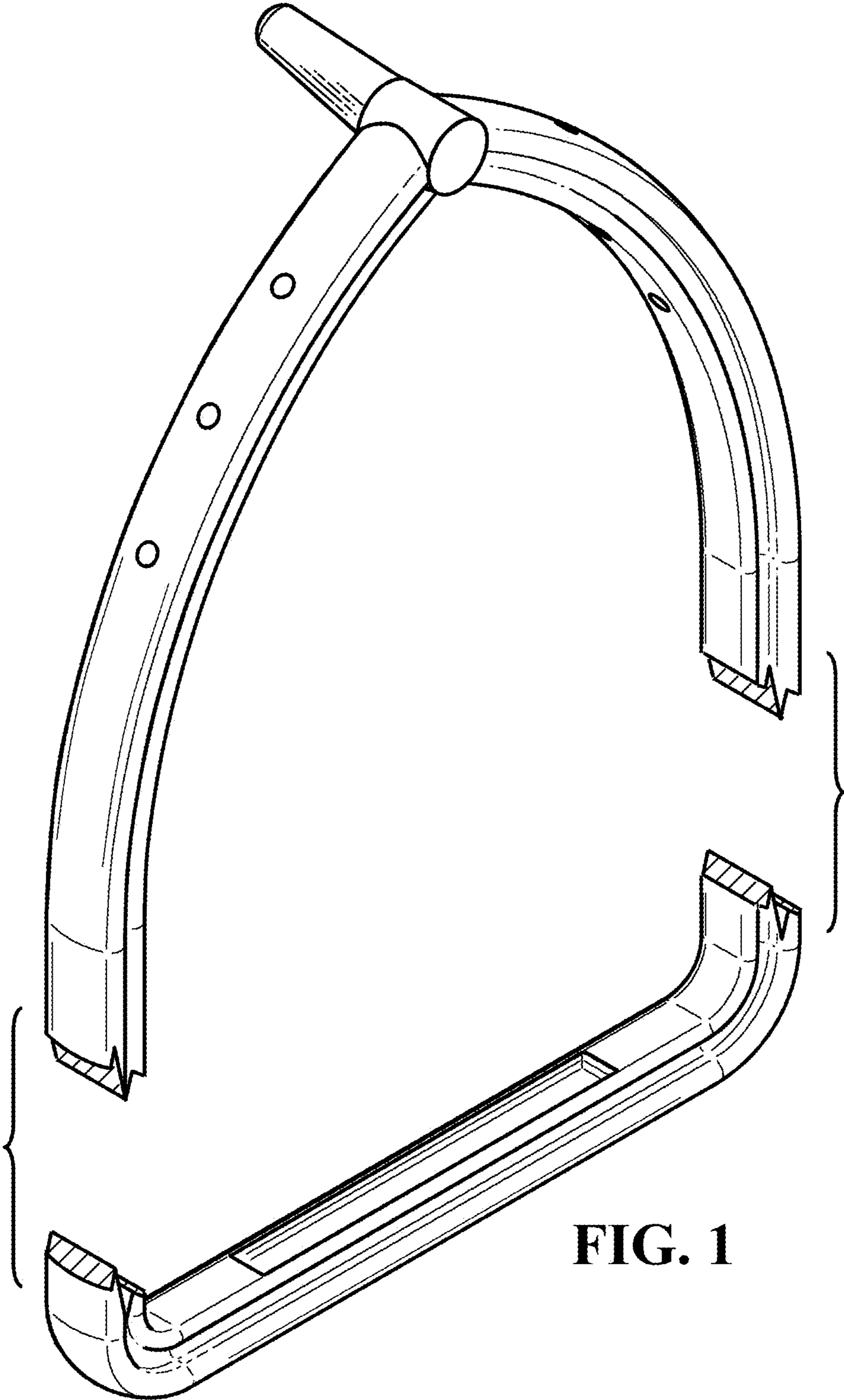


FIG. 1

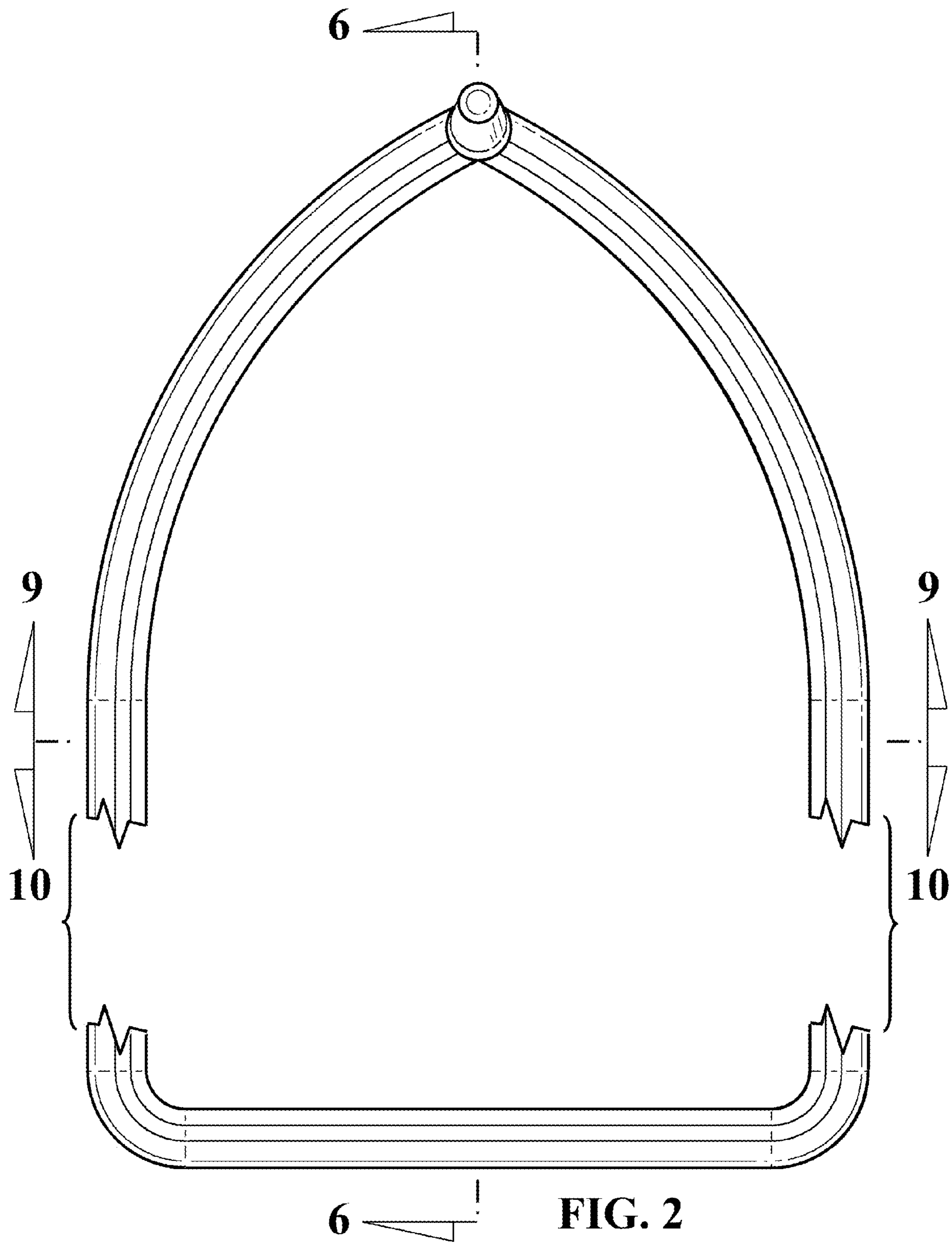


FIG. 2

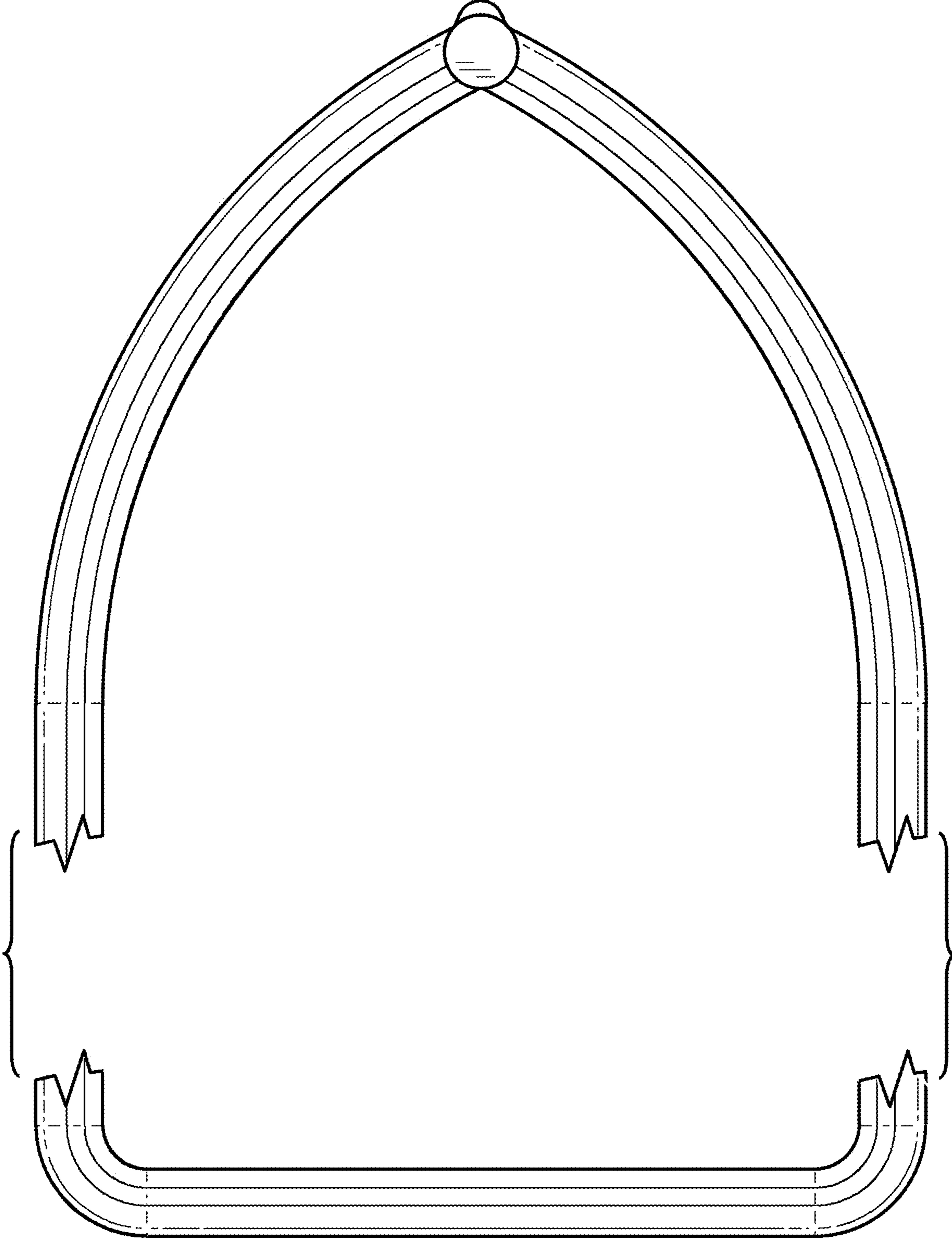


FIG. 3

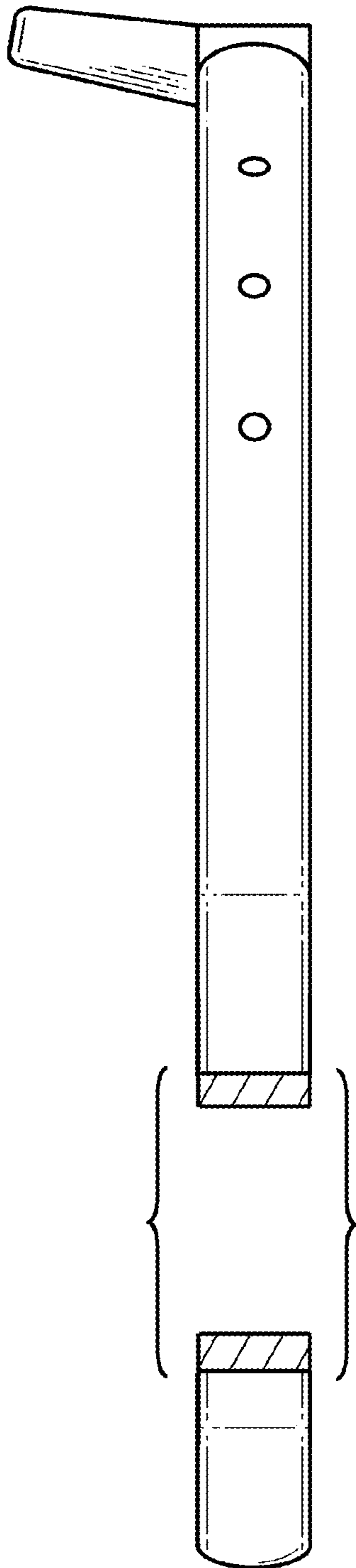


FIG. 4

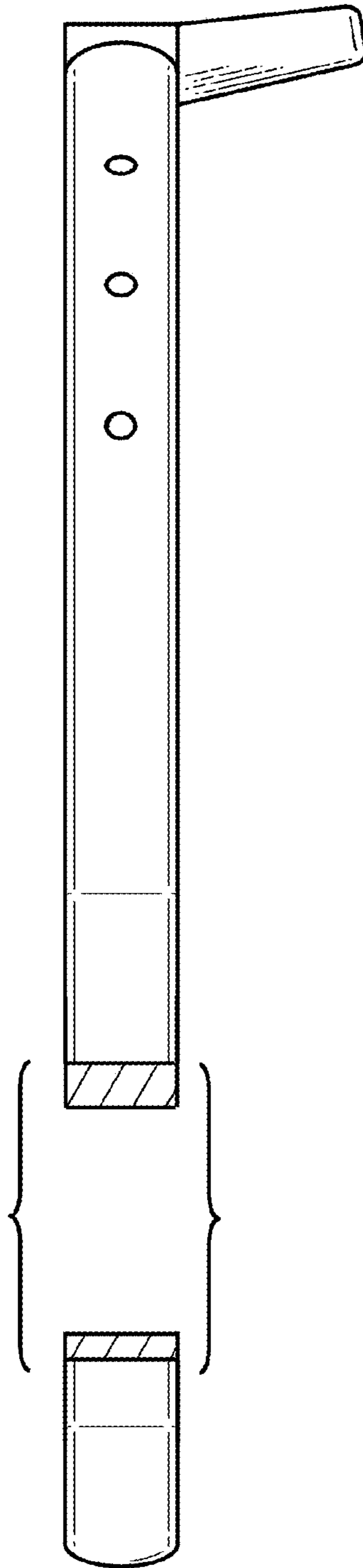


FIG. 5

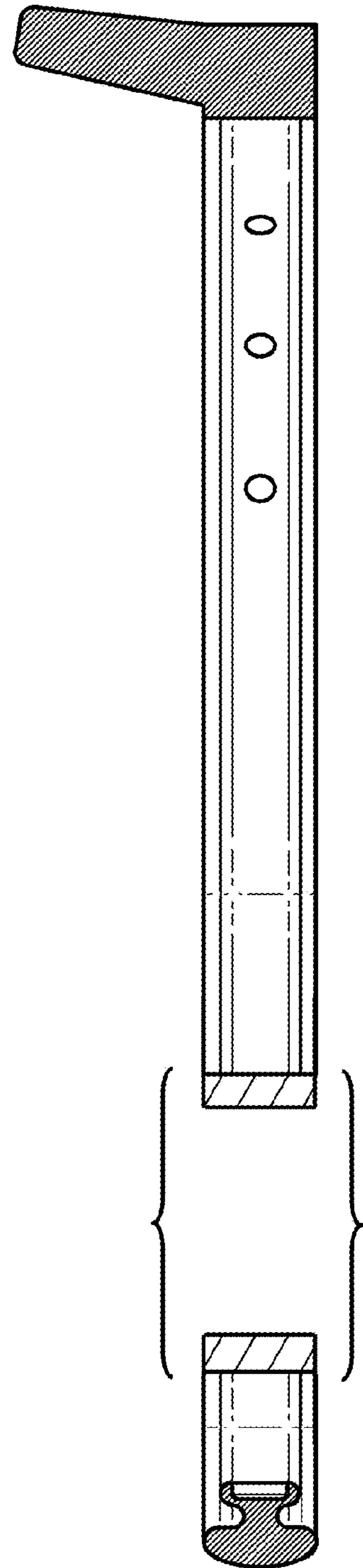


FIG. 6

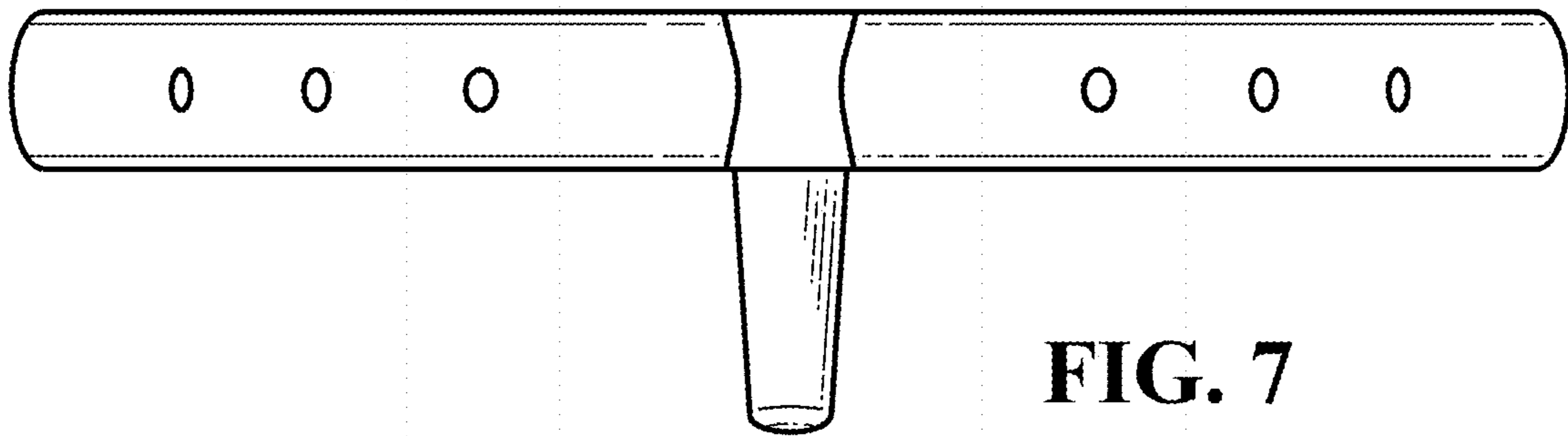


FIG. 7

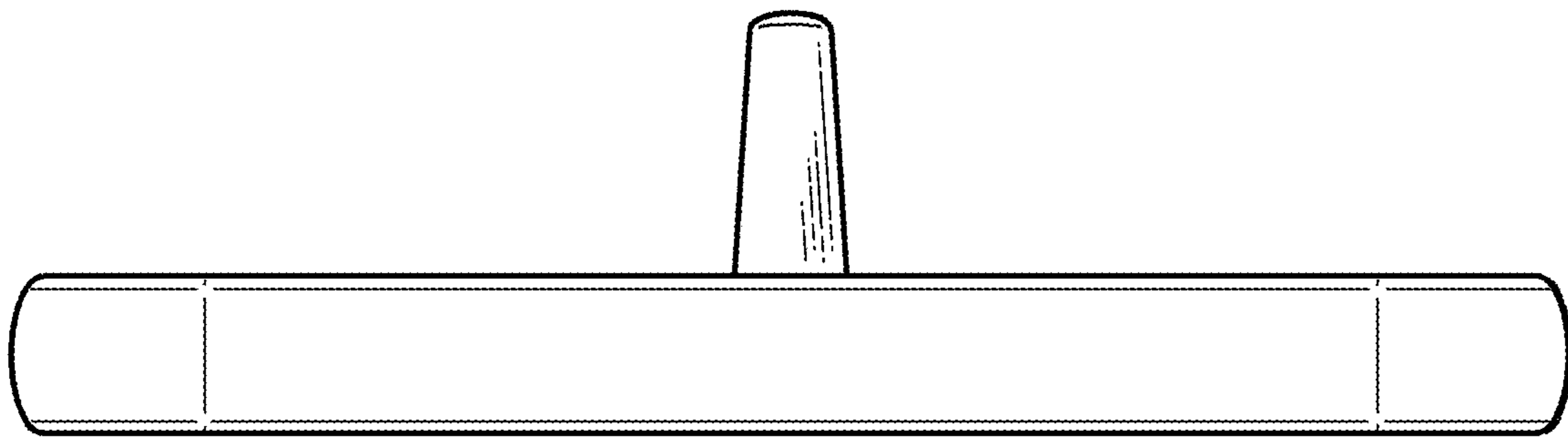


FIG. 8

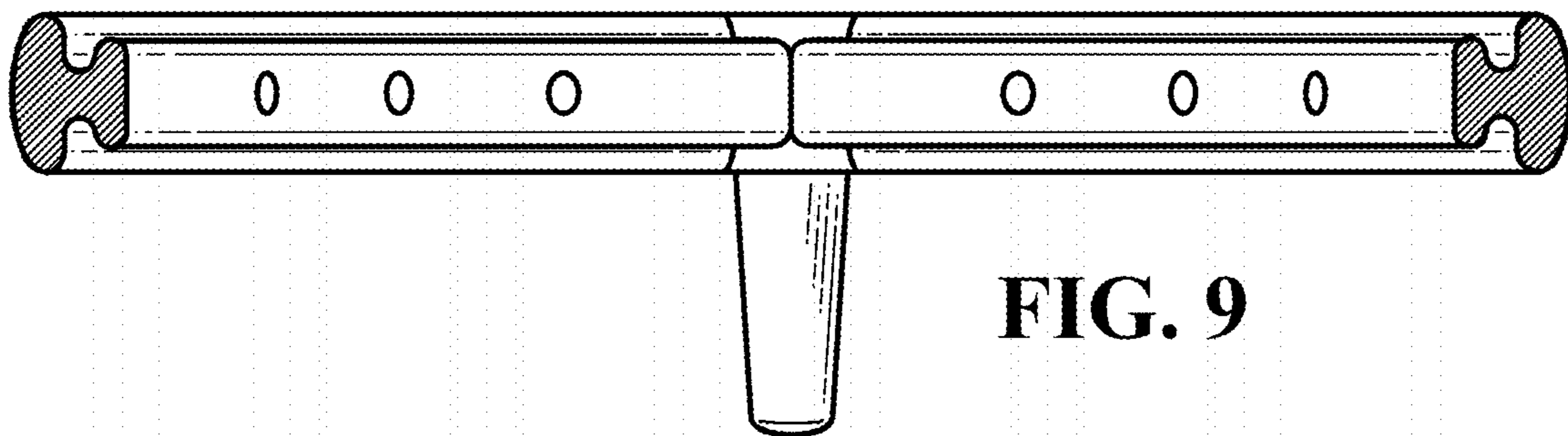


FIG. 9

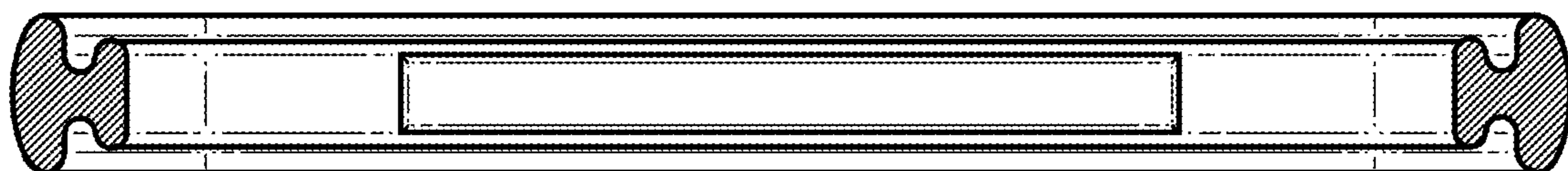


FIG. 10

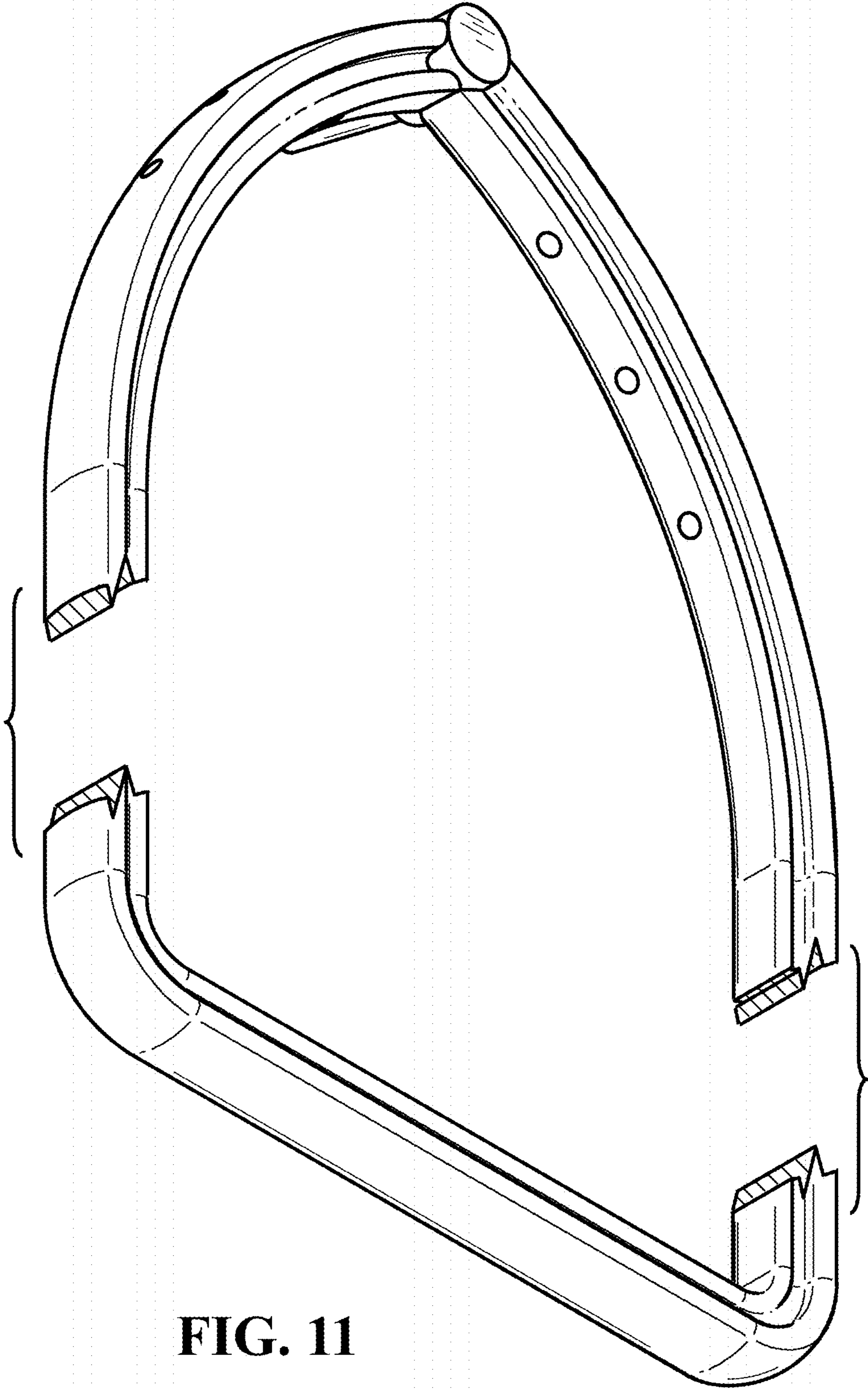


FIG. 11

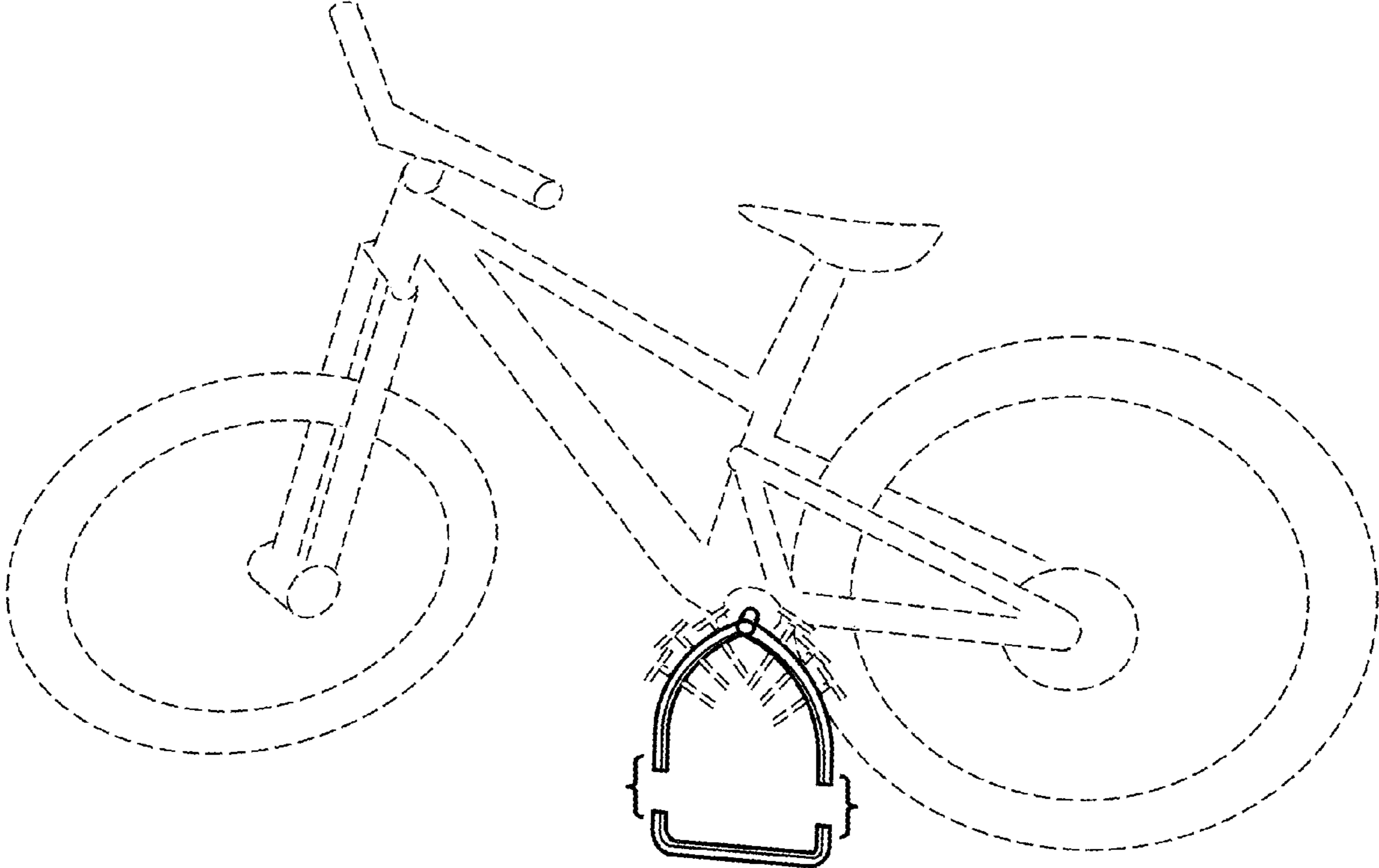


FIG.12