



US0D1048922S

(12) **United States Design Patent** (10) **Patent No.:** **US D1,048,922 S**
Fillmer et al. (45) **Date of Patent:** **** Oct. 29, 2024**

(54) **RING ASSEMBLY**

- (71) Applicant: **Jostens, Inc.**, Minneapolis, MN (US)
- (72) Inventors: **Gail Fillmer**, North Plymouth, MN (US); **Miran Armutlu**, Lorraine (CA); **Todd Cleabert Bridgeman**, West Faribault, MN (US); **John Forryan**, Flower Mound, TX (US)
- (73) Assignee: **Jostens, Inc.**, Minneapolis, MN (US)
- (**) Term: **15 Years**

- (21) Appl. No.: **29/823,027**
- (22) Filed: **Jan. 13, 2022**
- (51) **LOC (14) Cl.** **11-01**
- (52) **U.S. Cl.**
USPC **D11/26**
- (58) **Field of Classification Search**
USPC D11/1-3, 26-30, 34, 37-39, 200, D11/202-203; D2/624; D6/578, 580; D7/633; D28/39, 41
CPC A44C 17/00; A44C 17/001; A44C 17/02; A44C 17/0208; A44C 9/00; A44C 9/0007; A44C 9/0015; A44C 9/0053; A44C 9/0076; A44C 9/0084; A44C 9/02
See application file for complete search history.

(56) **References Cited**

U.S. PATENT DOCUMENTS

- 1,239,405 A * 9/1917 Kopetschny A44C 25/004 428/3
- 2,065,811 A * 12/1936 Kiff A44C 17/04 63/26
- D159,885 S * 8/1950 Barbieri D11/27
- 3,192,737 A 7/1965 Schechter et al.

(Continued)

FOREIGN PATENT DOCUMENTS

CA 2779617 A1 8/2012

OTHER PUBLICATIONS

Evolve Ring by Jostens, Date Available Jul. 15, 2022, GlobeNewswire, Site Visited on Mar. 29, 2024: <https://www.globenewswire.com/news-release/2022/07/15/2480609/0/en/Imagine-a-ring-that-evolves-with-you-Introducing-the-Evolve-Ring-by-Jostens.html> (Year: 2022).*

(Continued)

Primary Examiner — Gino Colan
Assistant Examiner — Nicole M. Leech

(74) *Attorney, Agent, or Firm* — Brown Rudnick LLP; Matthew P. York

(57) **CLAIM**

The ornamental design for a ring assembly, as shown and described.

DESCRIPTION

FIG. 1 is a top perspective view of a ring assembly employing an ornamental design in accordance with the present invention.

FIG. 2 is a front underside view of the ring assembly of FIG. 1.

FIG. 3 is a rear underside view of the ring assembly of FIG. 1.

FIG. 4 is a front elevation view of the ring assembly of FIG. 1.

FIG. 5 is a rear elevation view of the ring assembly of FIG. 1.

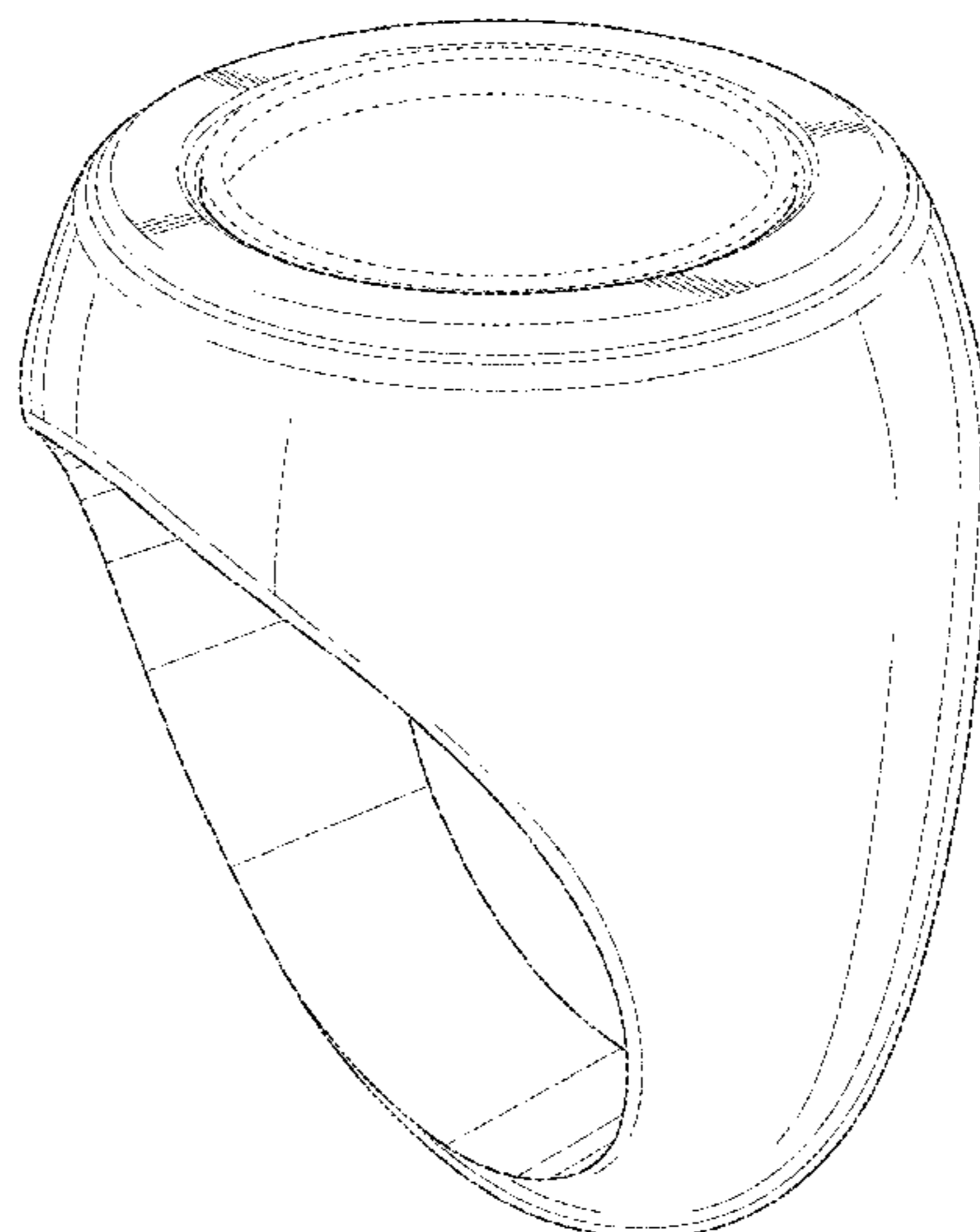
FIG. 6 is a left side elevation view of the ring assembly of FIG. 1.

FIG. 7 is a right side elevation view of the ring assembly of FIG. 1.

FIG. 8 is a top plan view of the ring assembly of FIG. 1; and, FIG. 9 is a bottom plan view of the ring assembly of FIG. 1.

The broken lines in the drawings represent portions of the ring assembly and form no part of the claimed design.

1 Claim, 5 Drawing Sheets



(56)

References Cited

U.S. PATENT DOCUMENTS

4,374,470	A	2/1983	Isaacson	
4,794,766	A	1/1989	Schunk et al.	
5,375,434	A	12/1994	Wertheimer et al.	
5,588,310	A *	12/1996	Lai	A44C 9/00 63/29.1
6,536,235	B2	3/2003	Lovegrove	
7,143,607	B2	12/2006	Hartgrove	
7,937,966	B2	5/2011	Golove et al.	
D683,579	S *	6/2013	Black	D7/619.2
D684,880	S *	6/2013	Matysik	D11/26
8,596,090	B1	12/2013	Smith	
D1,020,521	S *	4/2024	Lingua	D11/34
D1,021,674	S *	4/2024	Lingua	D11/34
D1,021,675	S *	4/2024	Lingua	D11/34
2005/0022555	A1 *	2/2005	Cheng	A44C 9/00 63/31
2022/0218079	A1 *	7/2022	Beck	A44C 17/0208
2024/0138534	A1 *	5/2024	Brown	A44C 17/0208

OTHER PUBLICATIONS

Snap Ring, Date Available Dec. 11, 2018, Etsy, Site Visited on Mar. 29, 2024: <https://www.etsy.com/listing/533173725/snap-ring-stretchy-adjustable-ring> (Year: 2018).*

Interchangeable 18kt Yellow Gold Ring, Date Available Dec. 31, 1950, 1stDibs, Site Visited on Mar. 29, 2024: https://www.1stdibs.com/jewelry/rings/fashion-rings/interchangeable-18kt-yellow-gold-ring-5-screw-on-pieces-ruby-coin-sapph/id-j_10609842/ (Year: 1950).*

* cited by examiner

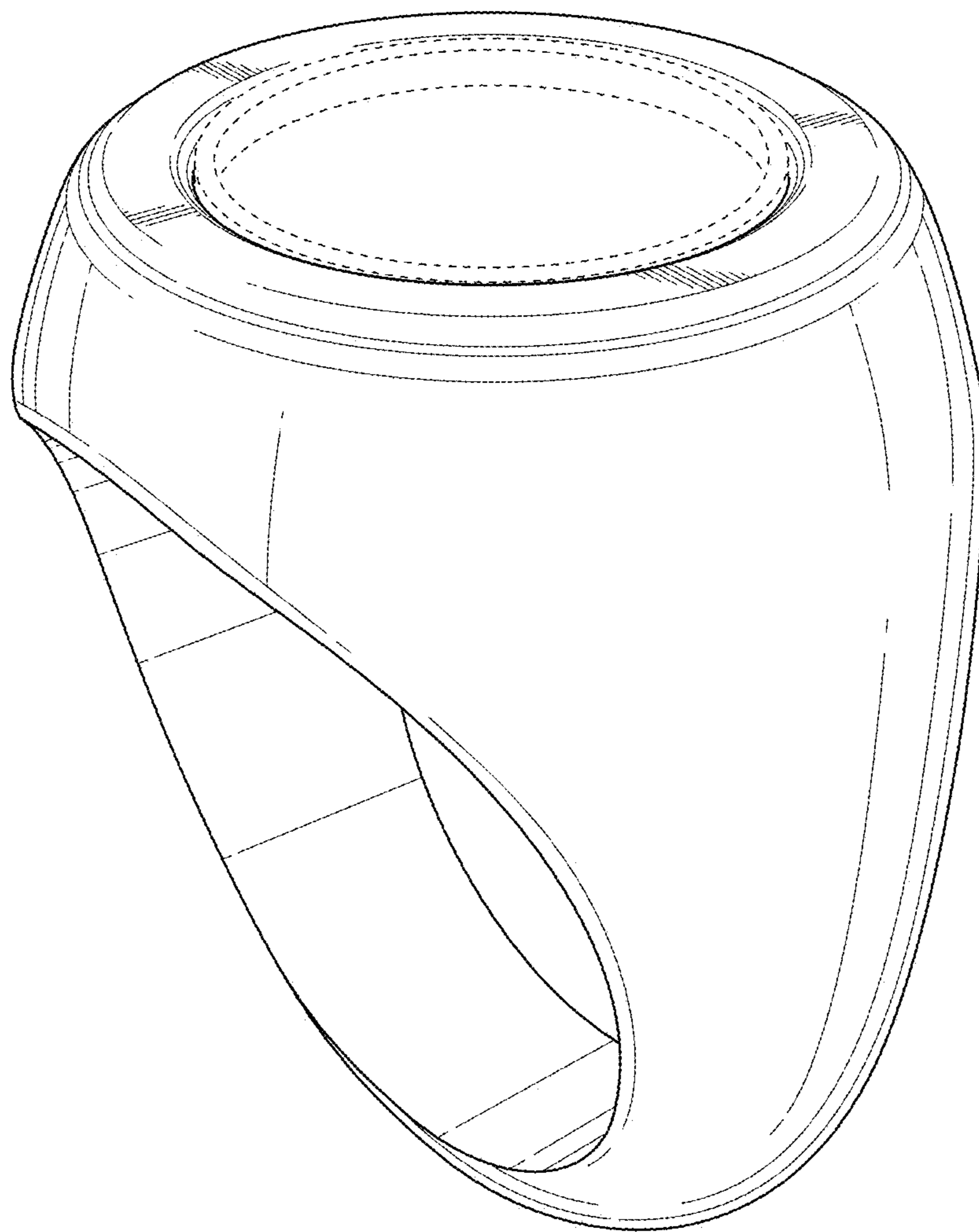


Fig. 1

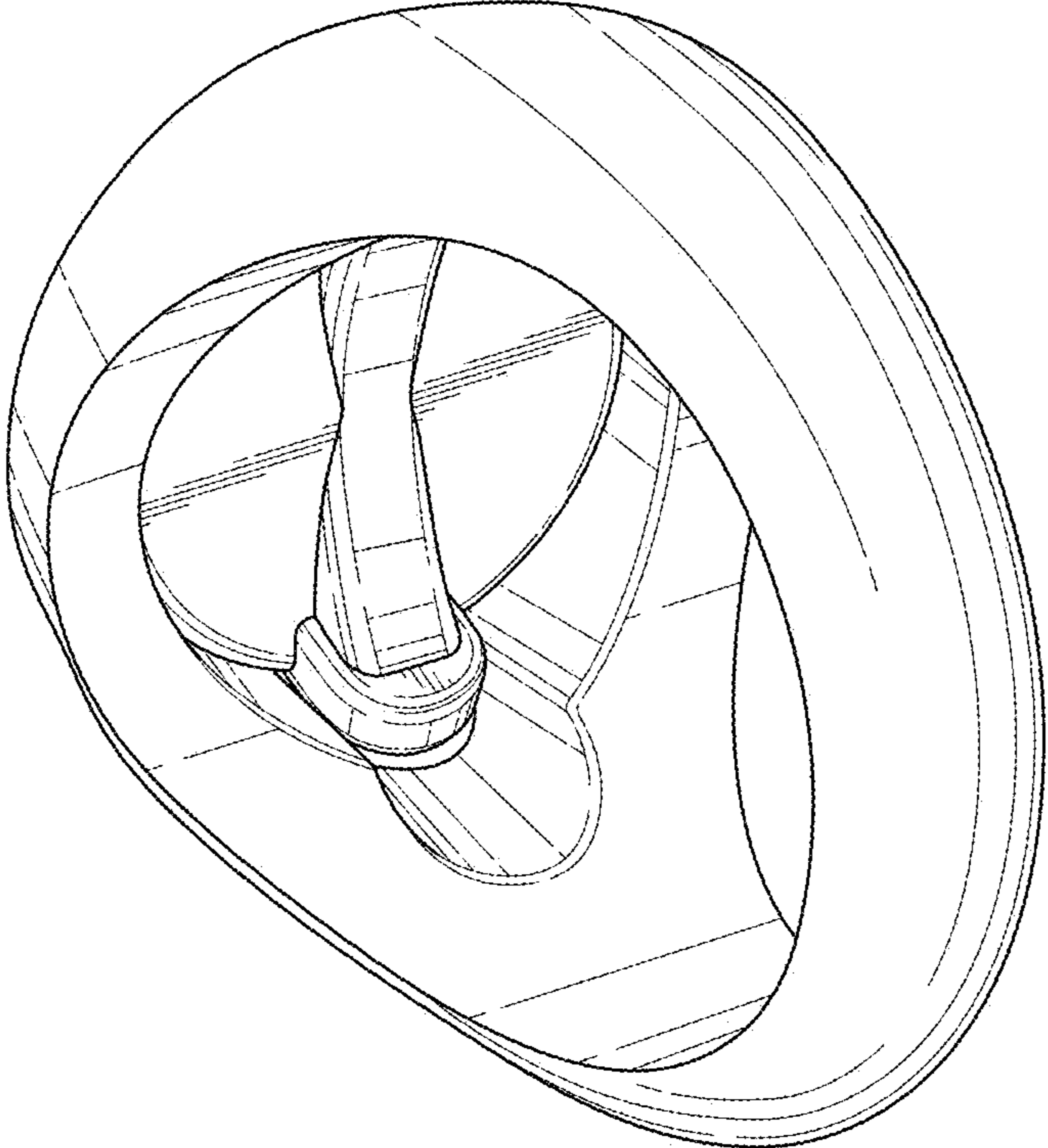


Fig. 2

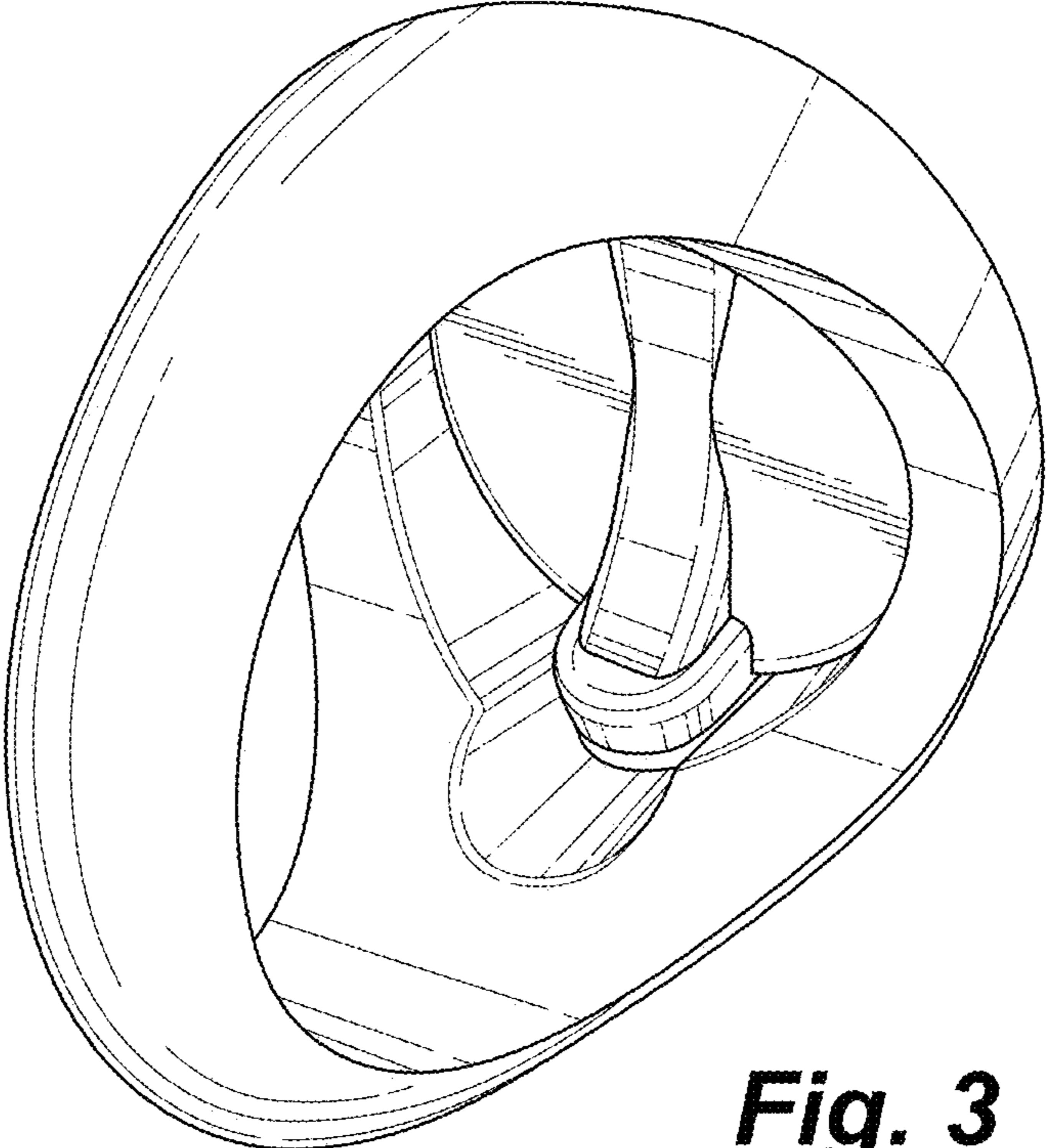


Fig. 3

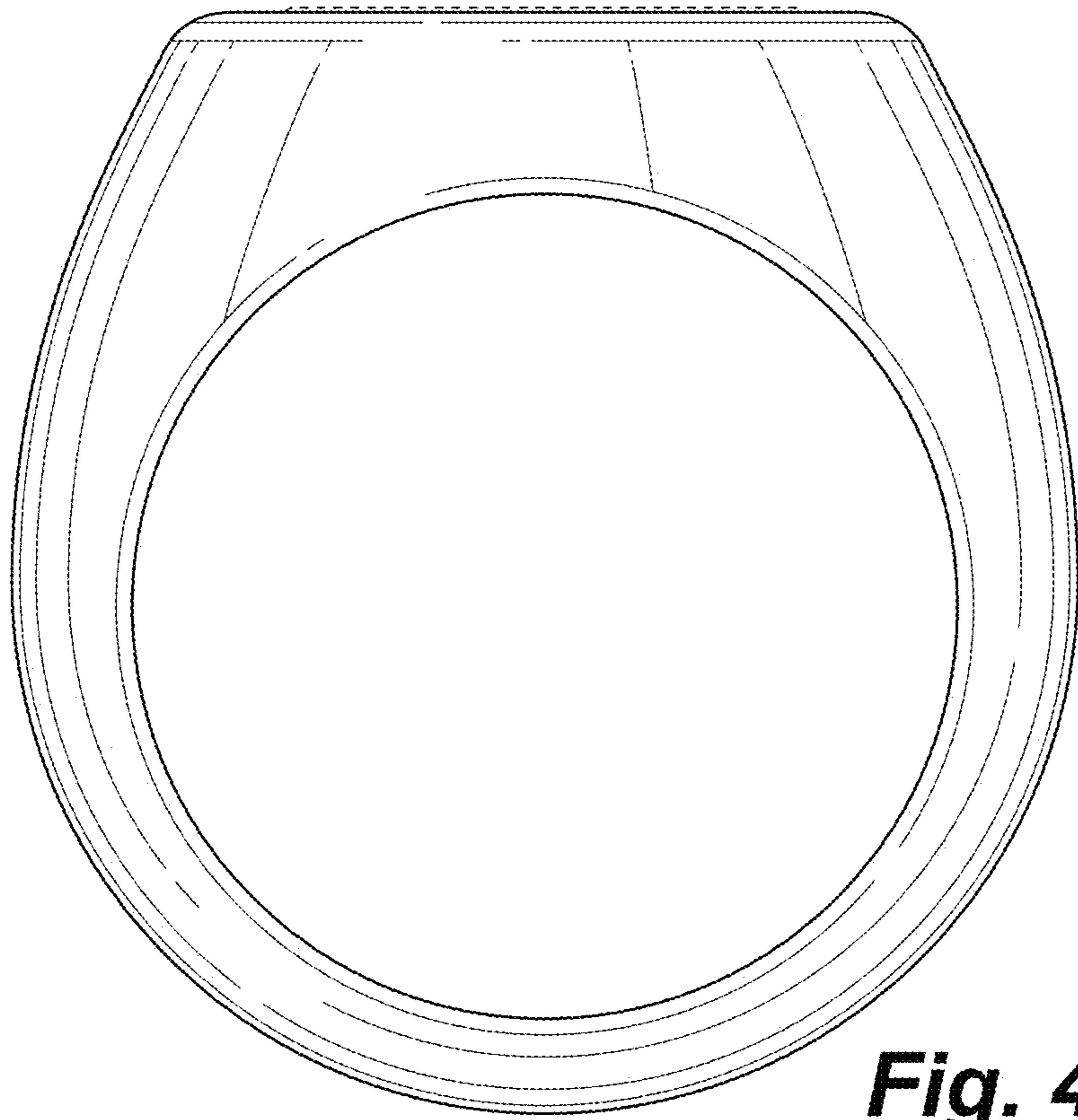


Fig. 4

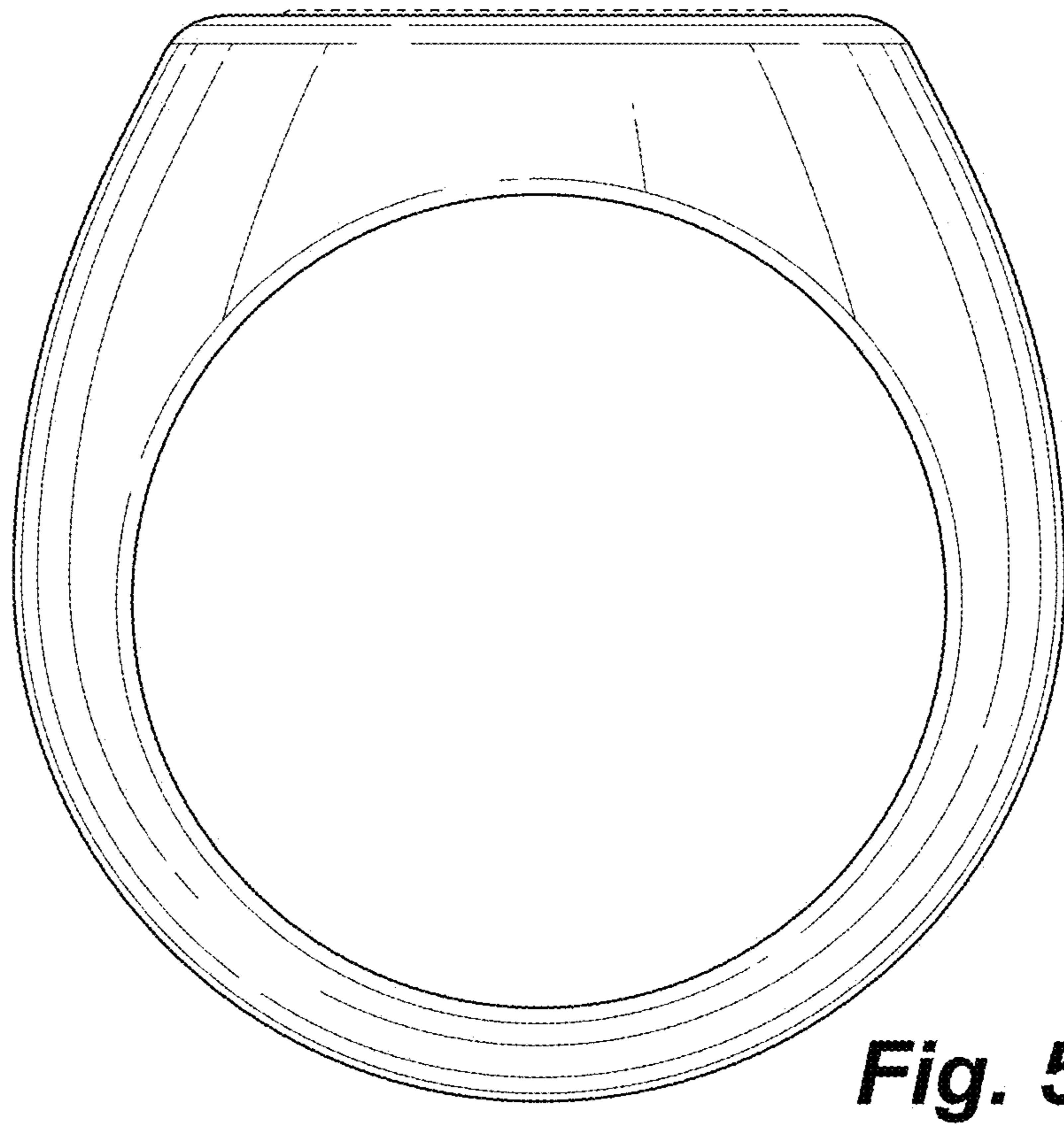


Fig. 5

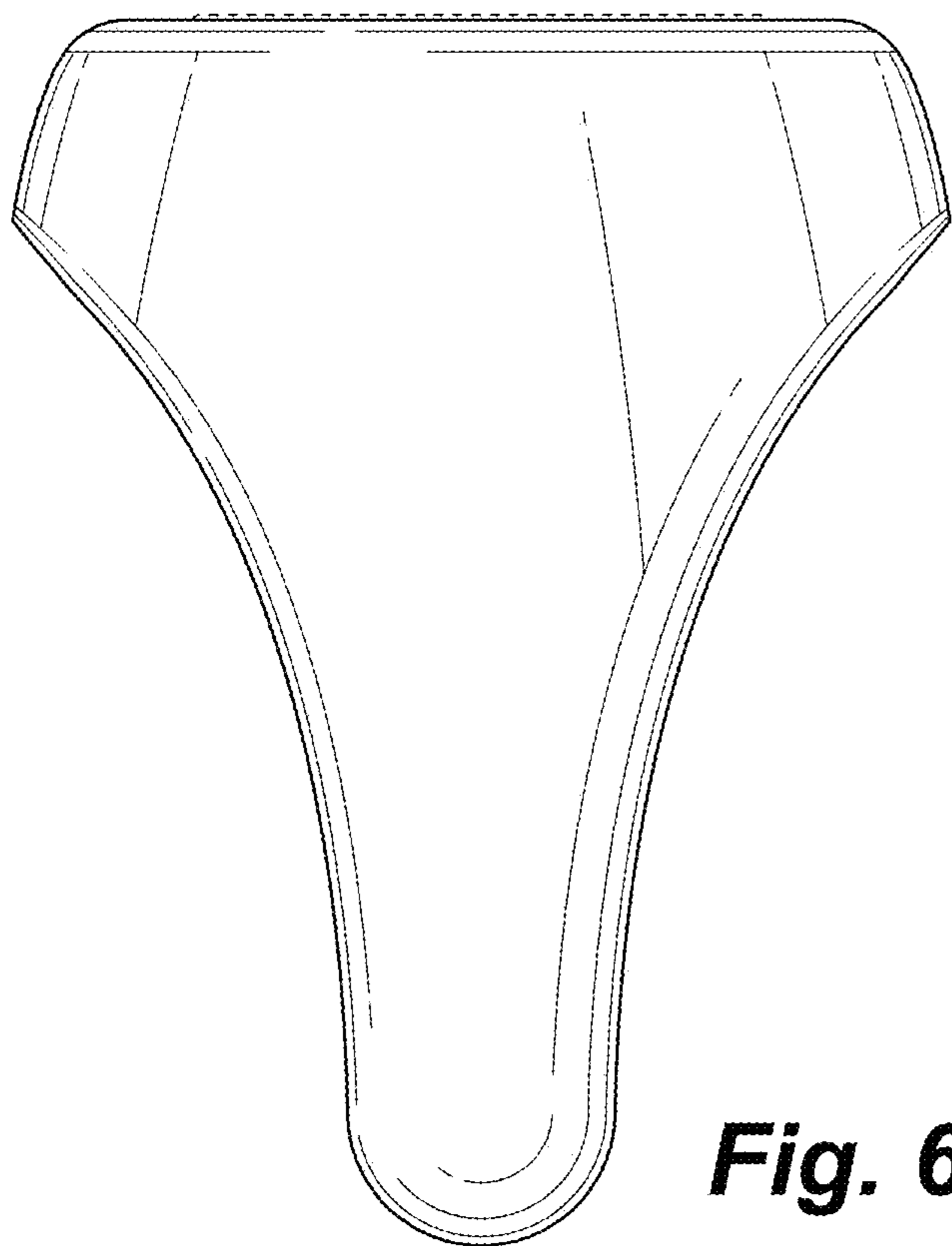


Fig. 6

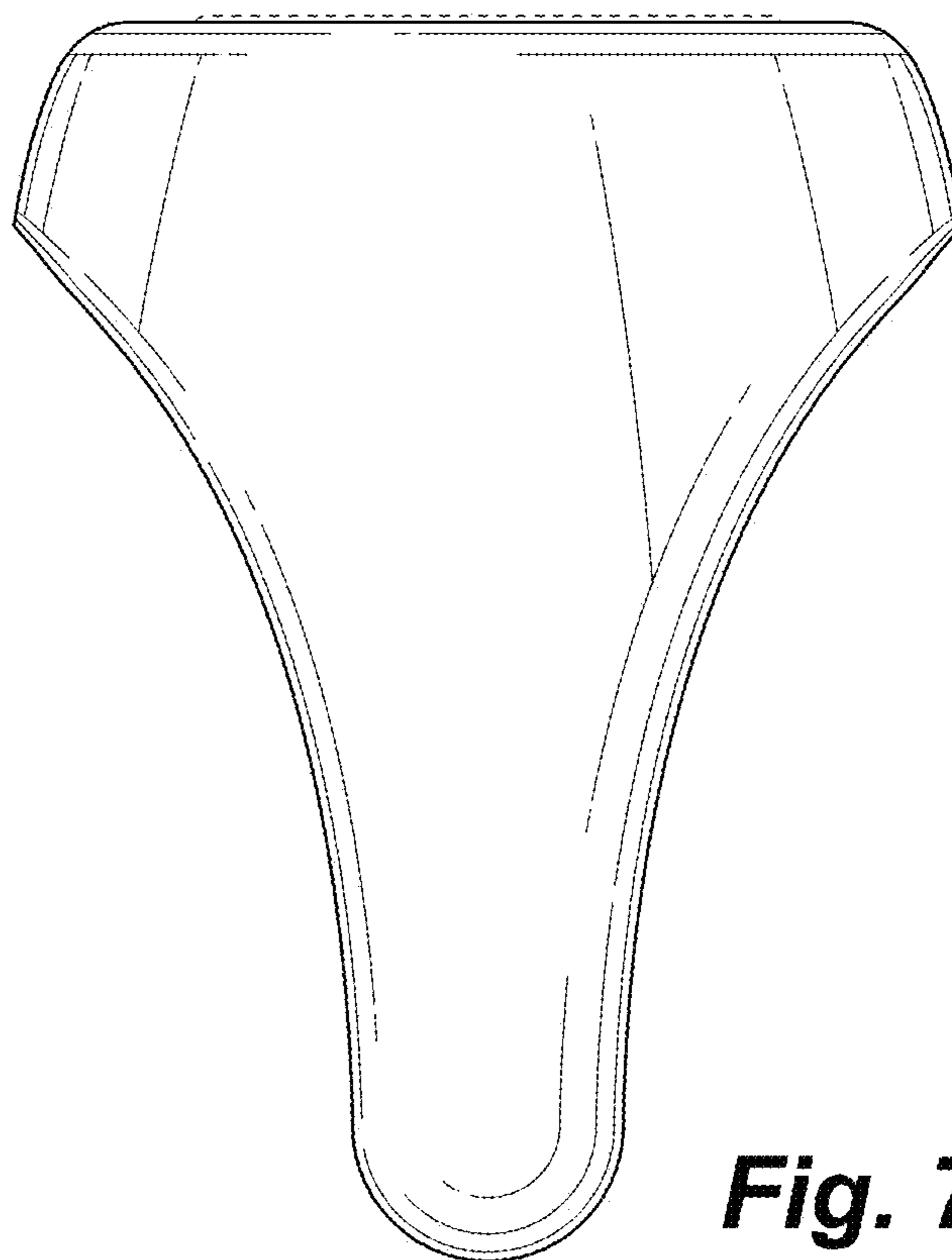


Fig. 7

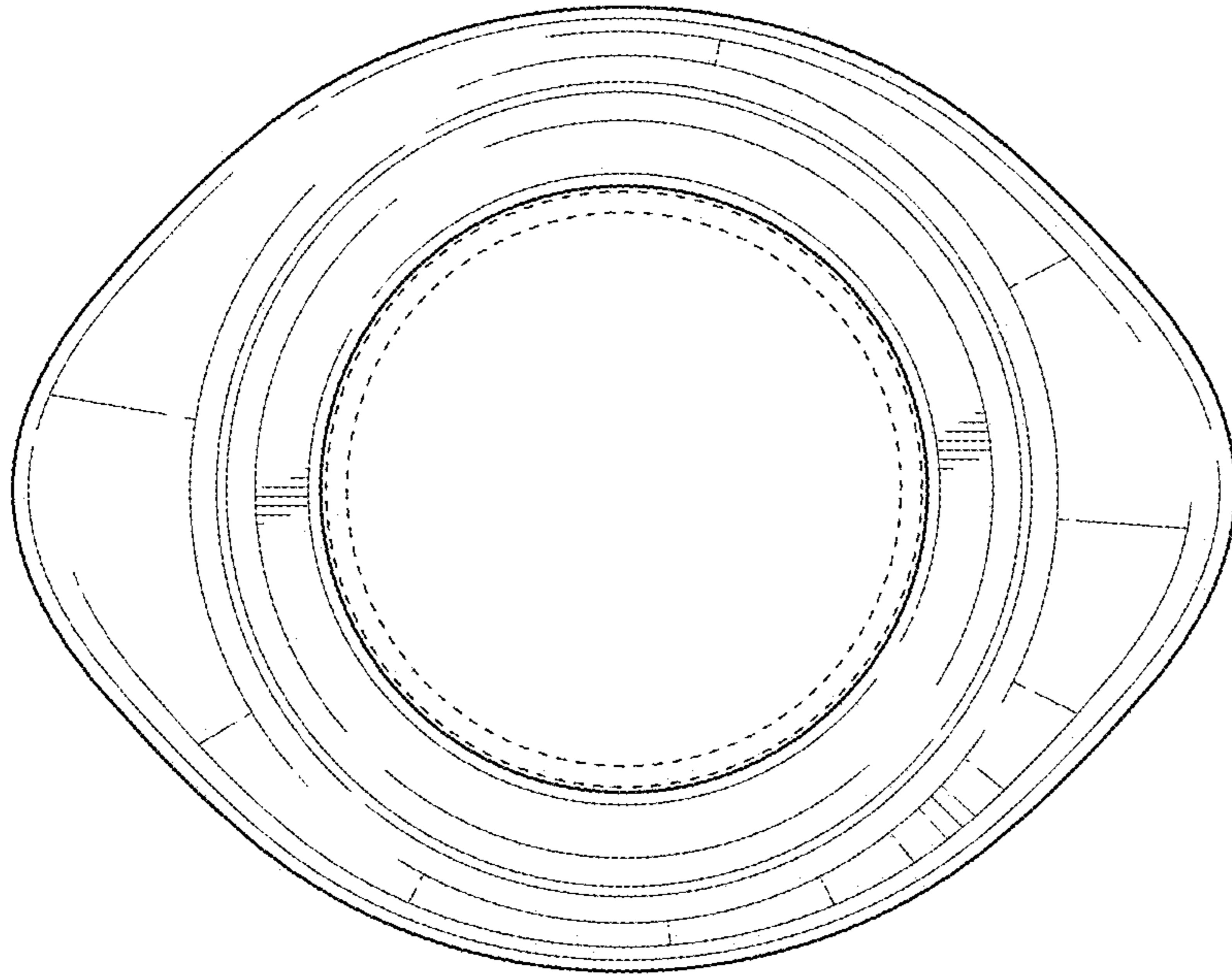


Fig. 8

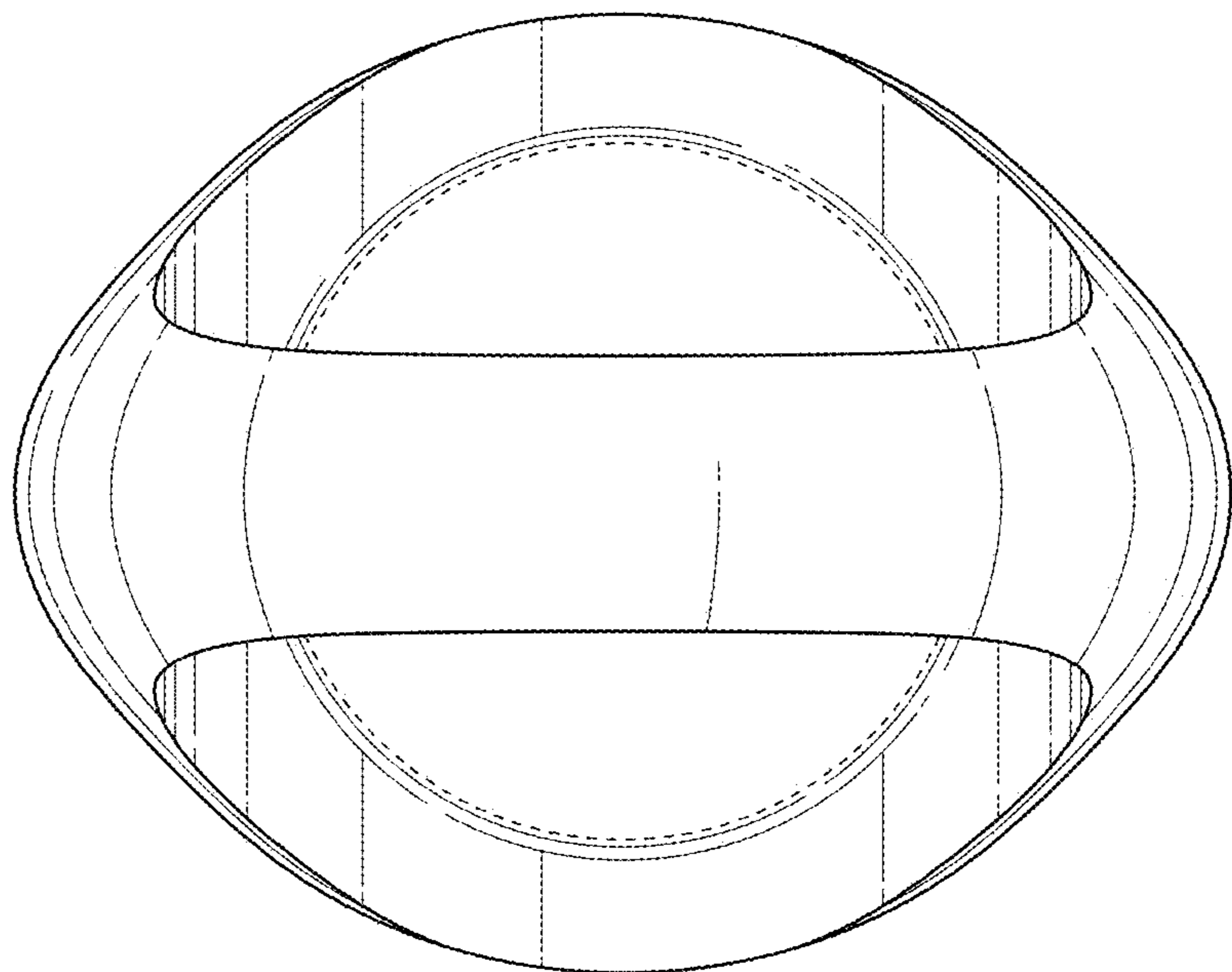


Fig. 9